







AUTOMOTIVE LIGHTING MANUFACTURER

contents

working lamps.....	2 - 4
daytime running lamps.....	5 - 7
rear lamps.....	8 - 21
clearance lamps.....	22 - 58
reversing lamps.....	59 - 62
fog lamps.....	63 - 66
reflectors.....	67 - 71
indicators.....	72 - 74
number plate lights.....	75 - 79
interior lighting.....	80 - 81
accessories.....	82 - 84

sign explanation

	position light
	fog light
	reversing light
	indicator
	LED diode light source
	stop light
	reflector
	clearance light
	number plate light

ATTENTION!

Please send your orders by e-mail at fristom@fristom.com.pl

or by fax at **+48 052 327 75 41**.

For further information concerning our order policy

see „About us” bookmark on our website.

WORKING LAMPS

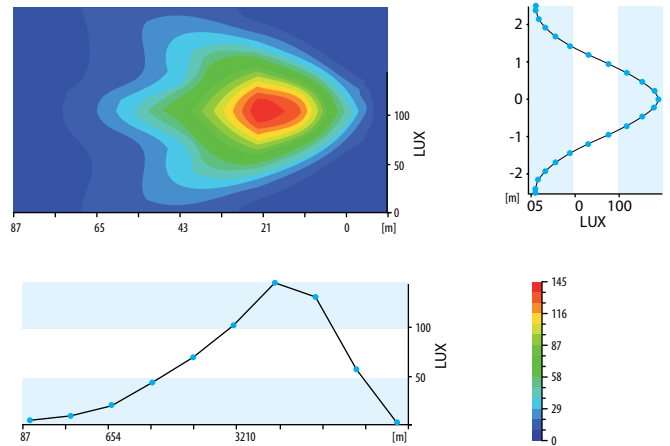


New universal series of FT-036 lamps will help light your working area over agricultural work, in road transport or sailing. Wide range of applications is assured by high-yield superior LED diodes, which allows to light the workspace with low electricity consumption level. Light intensity is comparable with the one emitted by standard sources (e.g. H3) with power consumption of about 50-70W. Approximated rated power of the FT-036 working lamps is at the 15W level!

Small overall dimension makes the lamps easy to install even in the most inaccessible locations. The body of the lamp and its other components are made of top quality materials, resistant to high and low temperatures and mechanical damages.

FT-036 working lamp is available in two basic versions: land and marine.

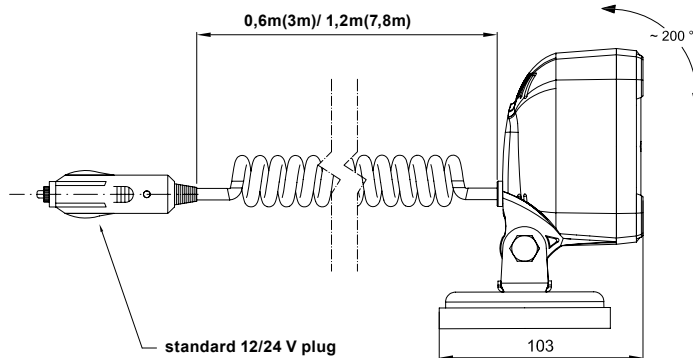
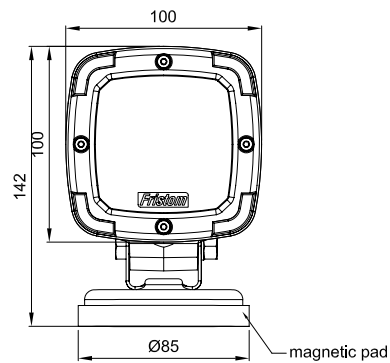
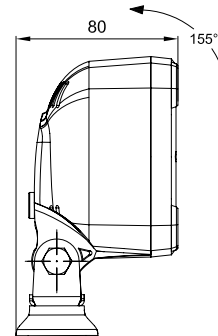
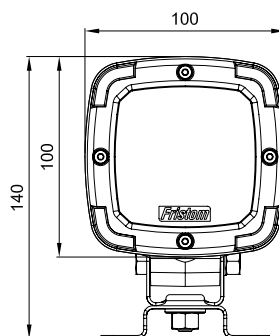
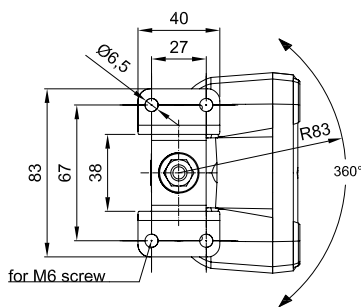
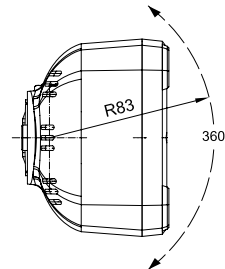
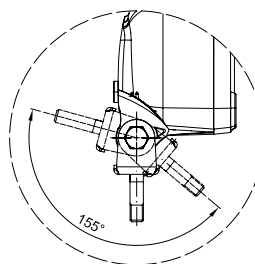
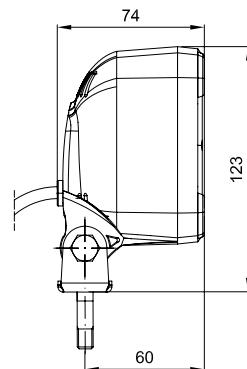
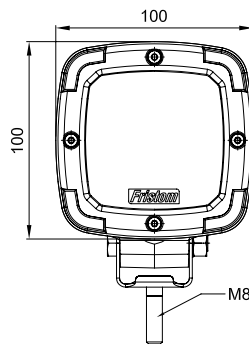
- the lamp is using OSRAM 9-diode technology - 1300 lm
- power consumption - 15W (important especially in marine applications)
- universal operating power range 12-50W
- fixed polarisation, GROUND - white wire; (+) - black wire
- the lamp is entirely waterproof, resistant to water immersion
- shockproof construction
- easy and solid installation
- 1.5 m long cable
- high liquid ingress protection - IP68 (DIN EN 60529) CERTIFICATE
- electromagnetic compatibility certificate EMC according to the regulations no. 10.04; CE label



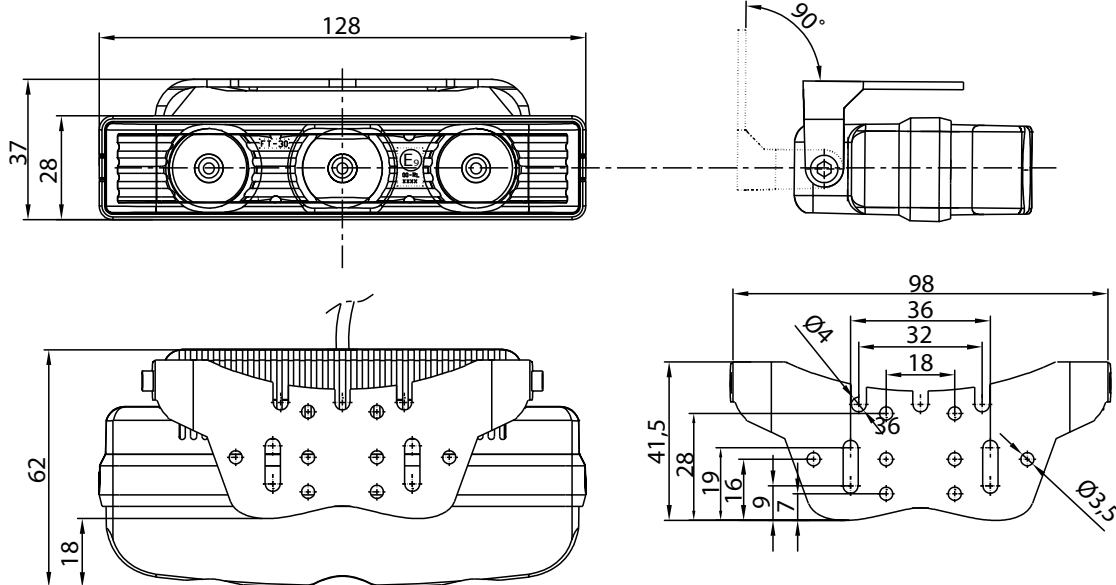
ID/EAN	Photo	Description	Unit pack		Multipack/carton			Multipack/pallet		
			qty.	kg	qty.	cm	kg	qty.	cm	kg
FT-036 5907556005617		Universal LED working lamp, 9 diodes, joint holder, black colour casing.	1	0,56	50	59x39x29	28,00	1000	120x80x165	585,00
FT-036 A * 5907556005631		Universal LED working lamp, 9 diodes, joint holder, black colour casing. The lamp is equipped with an extra shock absorber.	1	0,46	50	59x39x29	23,00	1000	120x80x165	485,00
FT-036 B 5907556005655		Universal LED working lamp, 9 diodes, joint holder, white colour casing. Made by applying acid-resistant mounting elements. Designed especially for watercraft.	1	0,49	50	59x39x29	24,50	1000	120x80x165	515,00
FT-036 B A * 5907556005679		Universal LED working lamp, 9 diodes, joint holder, white colour casing. Made by applying acid-resistant mounting elements. Designed especially for watercraft. The lamp is equipped with an extra shock absorber.	1	0,49	50	59x39x29	24,50	1000	120x80x165	515,00
FT-036 MAG M30 5907556005693		Universal LED working lamp, 9 diodes, magnetic pad, joint holder, black colour casing. The lamp is additionally equipped with a 3 m long spiral lead (in spiral 0,6 m) with a standard 12/24 V cigarette lighter socket plug.	1	1,10	22	59x39x29	24,20	440	120x80x165	509,00
FT-036 MAG M78 5907556005709		Universal LED working lamp, 9 diodes, magnetic pad, joint holder, black colour casing. The lamp is additionally equipped with a 7.8 m long spiral lead (in spiral 1.2 m) with a standard 12/24 V cigarette lighter socket plug.	1	1,30	22	59x39x29	28,60	440	120x80x165	597,00
Uchwyt OMEGA 5907556006010		«OMEGA» holder of KO metal sheet for FT-036 lamp	10	0,45						

Omega holder is not included in the basic accessories of the lamp.

* Custom product - lead time will be determined and provided by phone or in writing.



DAYTIME RUNNING LAMPS



FT-030 lamp design is based on electroluminescent LED light sources offering high energy efficiency and the same light parameters throughout continuous work of the lamp - up to 100.000 hours.

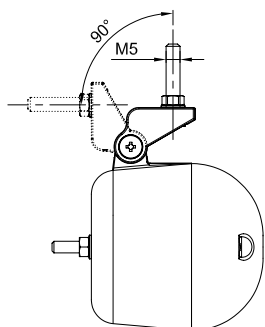
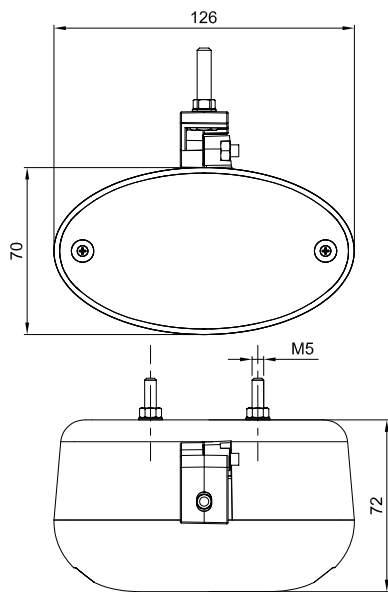
- light intensity of the daytime running lamp: 400 to 800 cd.,
- minimum illumination surface of each lamp: 25 cm²,
- used power-supply systems ensure compliance with all regulations of ECE-R87
- automatic switching-off of daytime running lamps at vehicle start (STANDBY system),
- switching-on and switching-off of daytime running lamps without additional tools,
- automatic switching-off of daytime running lamps when passing lights are switched on.

Please note that the above requirements are met when the lamp is correctly connected. New regulations, introduced in Poland and the majority of other European countries, prescribing use of daytime running lamps without the need to switch on rear position lights, front, side and rear clearance lights and registration plate lights enable considerable energy saving, so essential for all drivers. Long cable enables correct connection of DRL to power-supply system of the vehicle. All electronic components are delivered by leading manufacturers of electronics.

- input voltage range 12V-36V
- power consumption: 12-36V/ 2.8W
- operating temperature range from -40 to +55°C

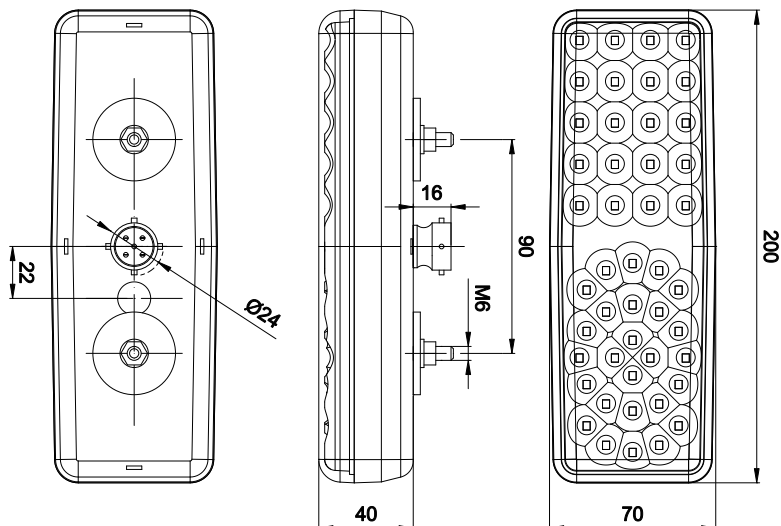
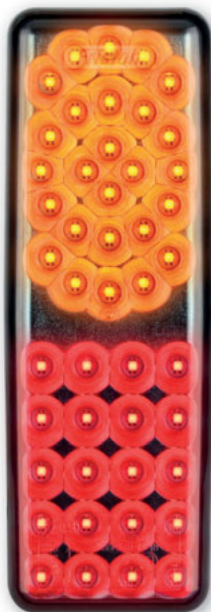
FT-030 lamps are equipped with a temperature control system, which allows them to reach optimal conditions for the work of LED diodes.

ID/EAN	Photo	Description	Unit pack		Multipack/carton			Multipack/pallet		
			qty.	kg	qty.	cm	kg	qty.	cm	kg
FT-030 5907556005174		LED daytime running lamp	1	0,37	35	59x39x29	12,95	700	120x80x165	284,00
FT-030 SET 5907556006225		Set of LED daytime running lamps	2	0,60	36	59x39x29	21,60	720	120x80x165	457,00



ID/EAN	Photo	Description	Unit pack		Multipack/carton			Multipack/pallet		
			qty.	kg	qty.	cm	kg	qty.	cm	kg
FT-057 P 5907556002302		Daytime running lamp, mounted on a joint	1	0,13	100	59x39x29	13,00	2000	120x80x165	285,00
FT-057 S 5907556002319		Daytime running lamp, mounted on 2 M5 screws	1	0,12	84	59x39x29	10,08	1680	120x80x165	226,60
FT-058 P N 5907556002333		Daytime running lamp, mounted on a joint	1	0,13	100	59x39x29	13,00	2000	120x80x165	285,00
FT-058 S N 5907556002340		Daytime running lamp, mounted on 2 M5 screws	1	0,12	84	59x39x29	10,08	1680	120x80x165	226,60
FT-058 P B 5907556002364		Daytime running lamp, mounted on a joint	1	0,13	100	59x39x29	13,00	2000	120x80x165	285,00
FT-058 S B 5907556002371		Daytime running lamp, mounted with 2 M5 screws	1	0,12	84	59x39x29	10,08	1680	120x80x165	226,60
FT-057/058 NK 5907556002326		Lampshade, blue								
FT-057/058 BK 5907556002357		Lampshade, white								

REAR LAMPS



FT-032 Trifunctional LED rear combination lamp

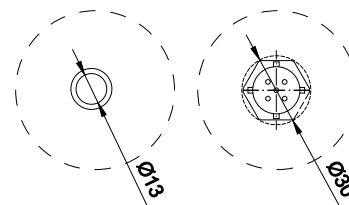
FT-032 lamp has european type approval certification and is designed for vertical and horizontal installation as well. The lamp, thanks to the fact of using modern LED technology is completely maintenance-free. Hermeticity of the construction allows it to be widely applied, e.g. in boat trailers, where draught of the rear part is necessary. FT-032/ FT-032 B versions are guaranteed by the producer for 24 months. The product is 100 % Polish.

Lamp functions:

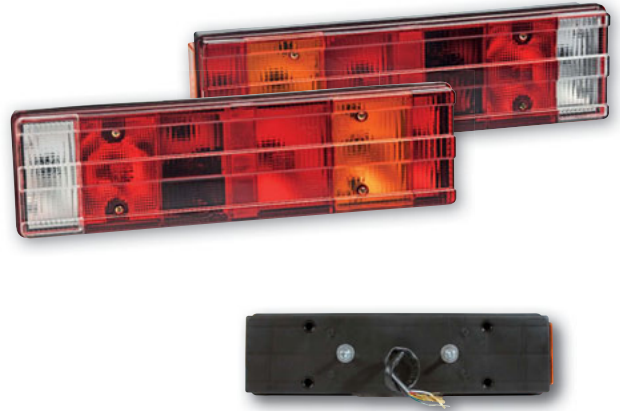
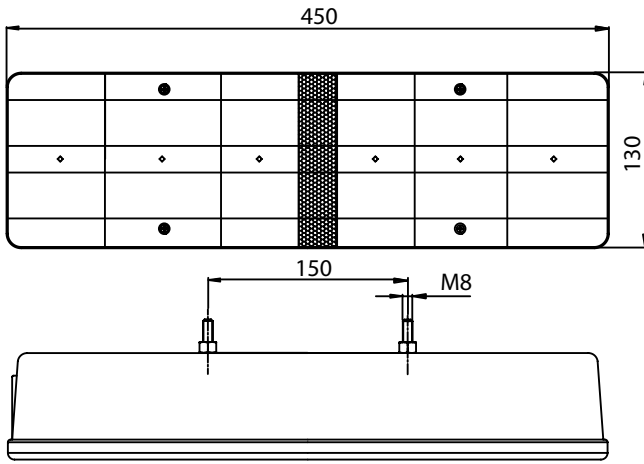
- stop light
- rear running lights
- direction indicator light

Other features and parametres:

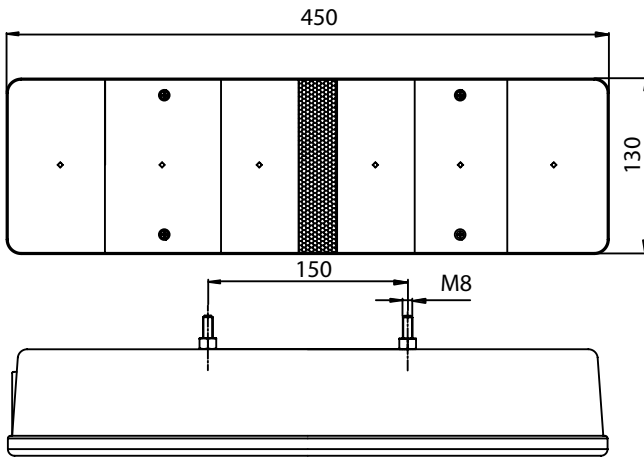
- operating temperature range: -40°C to +80°C
- weatherproof (e.g. rain, frost, snow)
- the lamp works up to 50 000 hours thanks to the construction based on LED light source
- the lamp operates with a wide input voltage range of 12-36V
- running light - 12-36V = 0.5 W
- stop light - 12-36V = 3.0 W
- direction indicator light - 12-36V = 3.5 W



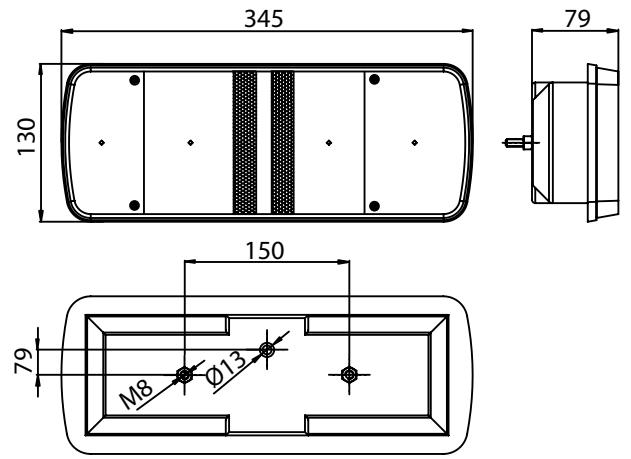
ID/EAN	Photo	Description	Unit pack		Multipack/carton			Multipack/pallet		
			qty.	kg	qty.	cm	kg	qty.	cm	kg
FT-032 5907556005419		Universal rear LED lamp with a wiring loom, smoked	1	0,34	45	59x39x29	15,30	900	120x80x165	331,00
FT-032 BAJONET 5907556006218		Universal rear LED lamp, 5 PIN bayonet connector, smoked	1	0,36	45	59x39x29	16,20	900	120x80x165	349,00
FT-032 BAJONET PM 5907556006782		Universal rear LED lamp with 5 PIN bayonet connector and additional fog or reversing light power supply cable, smoked	1	0,38	45	59x39x29	17,10	900	120x80x165	367,00
FT-032 B 5907556006751		Universal rear LED lamp with a wiring loom, white	1	0,34	45	59x39x29	15,30	900	120x80x165	331,00
FT-032 B BAJONET 5907556006768		Universal rear LED lamp, 5 PIN bayonet connector, white	1	0,36	45	59x39x29	16,20	900	120x80x165	349,00
FT-032 B BAJONET PM 5907556006775		Universal rear LED lamp with 5 PIN bayonet connector and additional fog or reversing light power supply cable, white	1	0,38	45	59x39x29	17,10	900	120x80x165	367,00



ID/EAN	Photo	Description	Unit pack		Multipack/carton			Multipack/pallet		
			qty.	kg	qty.	cm	kg	qty.	cm	kg
FT-042 L		Left rear lamp with a number plate light and a cable	1	1,10	18	70x51x43	19,80	180	120x80x144	223,00
FT-042 P		Right rear lamp with a cable	1	1,10	18	70x51x43	19,80	180	120x80x144	223,00
FT-042 K		Universal lampshade (right and left)	1	0,34	24	59x39x29	8,16	480	120x80x165	188,20

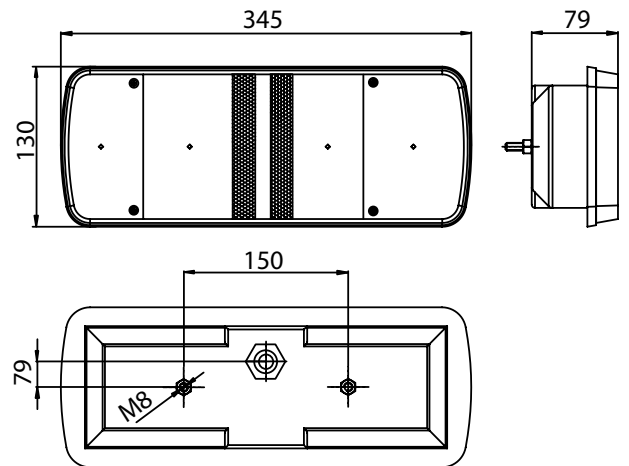


ID/EAN	Photo	Description	Unit pack		Multipack/carton			Multipack/pallet		
			qty.	kg	qty.	cm	kg	qty.	cm	kg
FT-028 L		Left rear lamp with a number plate light and a cable	1	1,03	18	70x51x43	18,54	120	120x80x144	148,60
FT-028 P		Right rear lamp with a cable	1	1,03	18	70x51x43	18,54	120	120x80x144	148,60
FT-028 K		Universal lampshade (right and left)	1	0,26	18	59x39x29	4,68	560	120x80x165	170,60

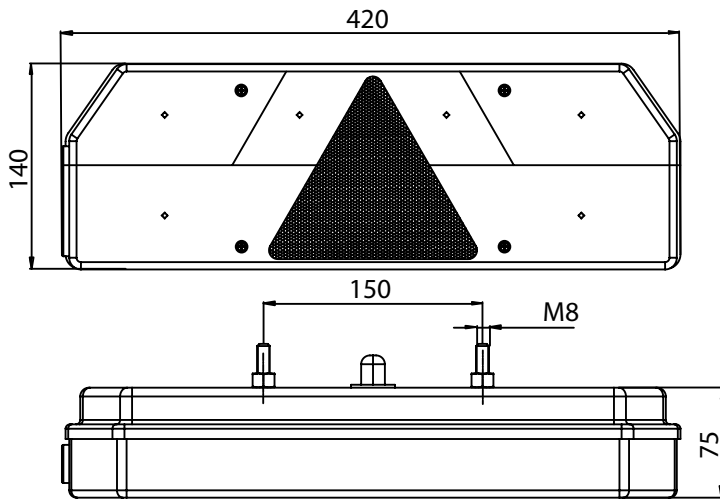


ID/EAN	Photo	Description	Unit pack		Multipack/carton		Multipack/pallet			
			qty.	kg	qty.	cm	kg	qty.	cm	kg
FT-014 L		Left rear lamp with a number plate light	1	0,62	36	70x51x43	22,32	96	120x80x144	84,52
FT-014 P		Right rear lamp	1	0,64	36	70x51x43	23,04	96	120x80x144	86,44
FT-014 K		Universal lampshade	1	0,20	42	59x39x29	8,40	216	120x80x165	68,20

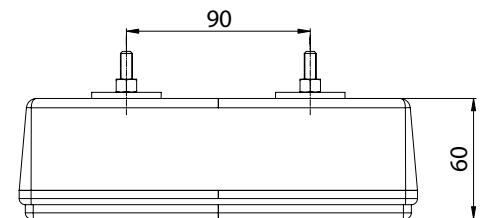
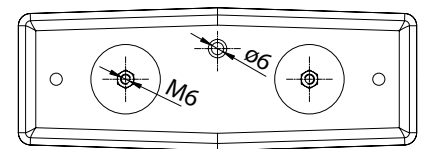
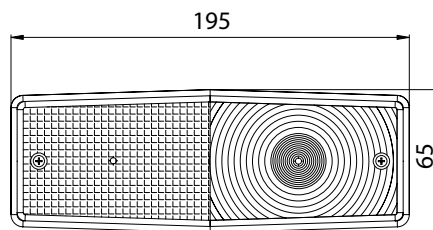
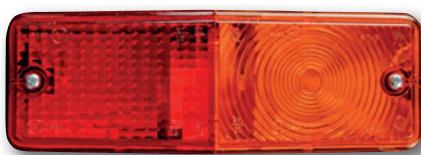
Five-segment rear lamp



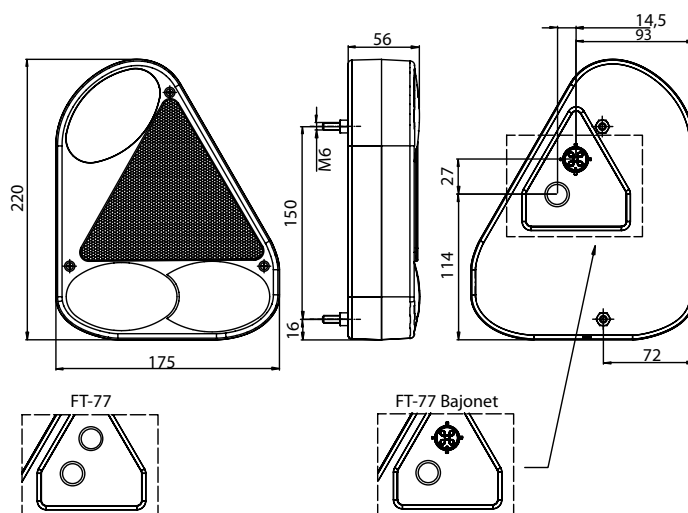
ID/EAN	Photo	Description	Unit pack		Multipack/carton		Multipack/pallet			
			qty.	kg	qty.	cm	kg	qty.	cm	kg
FT-014/1 L		Left rear lamp with number plate lighting and a cable	1	0,68	28	70x51x43	19,04	168	120x80x144	139,24
FT-014/1 P		Right rear lamp with a cable	1	0,68	28	70x51x43	19,04	168	120x80x144	139,24
FT-014 K		Universal lampshade	1	0,20	42	59x39x29	8,40	840	120x80x165	193,00



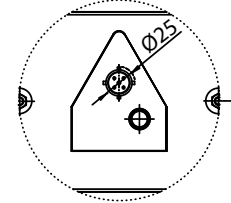
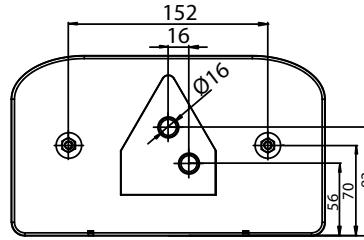
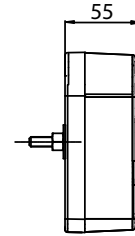
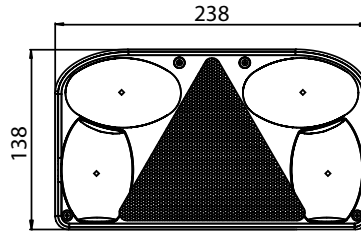
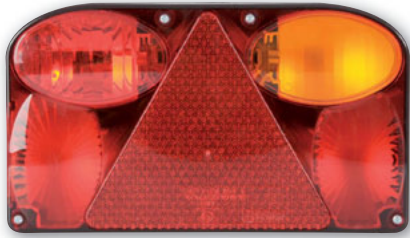
ID/EAN	Photo	Description	Unit pack		Multipack/carton			Multipack/pallet		
			qty.	kg	qty.	cm	kg	qty.	cm	kg
FT-021 L		Left rear lamp with a number plate light and a cable	1	1,07	20	70x51x43	21,40	120	120x80x144	153,40
FT-021 P		Right rear lamp with a cable	1	1,07	20	70x51x43	21,40	120	120x80x144	153,40
FT-021 KL		Left lampshade	1	0,33	36	59x39x29	11,88	216	120x80x165	96,28
FT-021 KP		Right lampshade	1	0,33	36	59x39x29	11,88	216	120x80x165	96,28



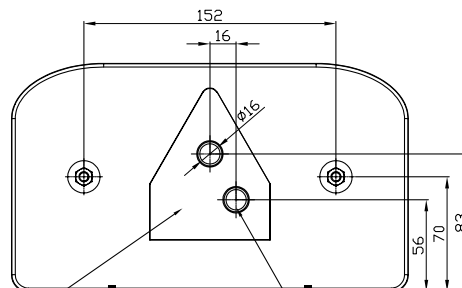
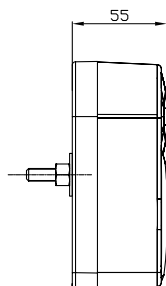
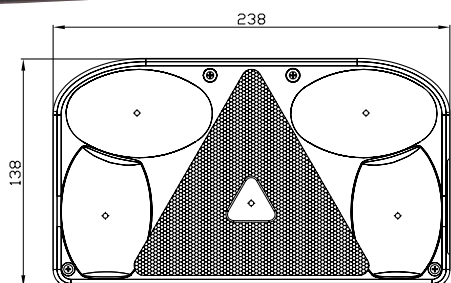
ID/EAN	Photo	Description	Unit pack		Multipack/carton			Multipack/pallet		
			qty.	kg	qty.	cm	kg	qty.	cm	kg
FT-007 5907556001152		Universal rear lamp (MF type)	1	0,25	64	59x39x29	16,00	1280	120x80x165	345,00
FT-007 K 5907556001169		Lampshade	10	0,71	250	59x39x29	17,75	5000	120x80x165	380,00



ID/EAN	Photo	Description	Unit pack		Multipack/carton		Multipack/pallet			
			qty.	kg	qty.	cm	kg	qty.	cm	kg
FT-077 LPM 5907556003767		Left rear lamp with a fog light	1	0,50	25	59x39x29	12,50	500	120x80x165	275,00
FT-077 PCOF 5907556003798		Right rear lamp with a reversing light	1	0,50	25	59x39x29	12,50	500	120x80x165	275,00
FT-077 LCOF 5907556003774		Left rear lamp with a reversing light	1	0,50	25	59x39x29	12,50	500	120x80x165	275,00
FT-077 PPM 5907556003781		Right rear lamp with a fog light	1	0,50	25	59x39x29	12,50	500	120x80x165	275,00
FT-077 LPM BAJONET 5907556003804		Left rear lamp with a fog light and 5 PIN bayonet plug. All cables and bulbs included	1	0,55	25	59x39x29	13,75	500	120x80x165	300,00
FT-077 PCOF BAJONET 5907556003835		Right rear lamp with a fog light and 5 PIN bayonet plug. All cables and bulbs included	1	0,55	25	59x39x29	13,75	500	120x80x165	300,00
FT-077 LCOF BAJONET 5907556003811		Left rear lamp with a fog light and 5 PIN bayonet plug. All cables and bulbs included	1	0,55	25	59x39x29	13,75	500	120x80x165	300,00
FT-077 PPM BAJONET 5907556003828		Right rear lamp with a fog light and 5 PIN bayonet plug. All cables and bulbs included	1	0,55	25	59x39x29	13,75	500	120x80x165	300,00
FT-077 KLPM 5907556003842		Left rear lampshade with a fog light	1	0,24	50	59x39x29	12,00	720	120x80x165	197,80
FT-077 KPCCOF 5907556003873		Right rear lampshade with a reversing light	1	0,24	50	59x39x29	12,00	720	120x80x165	197,80
FT-077 KLCCOF 5907556003859		Left rear lampshade with a reversing light	1	0,24	50	59x39x29	12,00	720	120x80x165	197,80
FT-077 KPPM 5907556003866		Right rear lampshade with a fog light	1	0,24	50	59x39x29	12,00	720	120x80x165	197,80



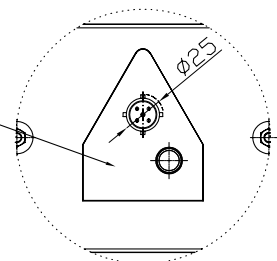
ID/EAN	Photo	Description	Unit pack		Multipack/carton			Multipack/pallet		
			qty.	kg	qty.	cm	kg	qty.	cm	kg
FT-088 LPM 5907556002456		Left rear lamp with a fog light and a number plate light	1	0,50	25	59x39x29	12,50	500	120x80x165	275,00
FT-088 PCOF 5907556002487		Right rear lamp with a reversing light and a number plate light	1	0,50	25	59x39x29	12,50	500	120x80x165	275,00
FT-088 LCOF 5907556002425		Left rear lamp with a reversing light and a number plate light	1	0,50	25	59x39x29	12,50	500	120x80x165	275,00
FT-088 PPM 5907556002517		Right rear lamp with a fog light and a number plate light.	1	0,50	25	59x39x29	12,50	500	120x80x165	275,00
FT-088 LPM BAJONET 5907556002463		Left rear lamp with a fog light and a bayonet connector (5 PIN). All cables and bulbs included.	1	0,55	25	59x39x29	13,75	500	120x80x165	300,00
FT-088 PCOF BAJONET 5907556002494		Right rear lamp with a reversing light and a bayonet connector (5 PIN). All cables and bulbs included.	1	0,55	25	59x39x29	13,75	500	120x80x165	300,00
FT-088 LCOF BAJONET 5907556002432		Left rear lamp with a reversing light and a bayonet connector 5PIN. All cables and bulbs included.	1	0,55	25	59x39x29	13,75	500	120x80x165	300,00
FT-088 PPM BAJONET 5907556002524		Right rear lamp with a fog light and a bayonet connector 5PIN. All cables and bulbs included.	1	0,55	25	59x39x29	13,75	500	120x80x165	300,00
FT-088 KLPM 5907556002395		Left lampshade with a fog light	1	0,24	40	59x39x29	9,60	720	120x80x165	197,80
FT-088 KPCOF 5907556002401		Right lampshade with a reversing light	1	0,24	40	59x39x29	9,60	720	120x80x165	197,80
FT-088 KPPM 5907556002418		Right lampshade with a fog light	1	0,24	40	59x39x29	9,60	720	120x80x165	197,80
FT-088 KLCOF 5907556002388		Left lampshade with a reversing light	1	0,24	40	59x39x29	9,60	720	120x80x165	197,80



through rubber

standard

bayonet

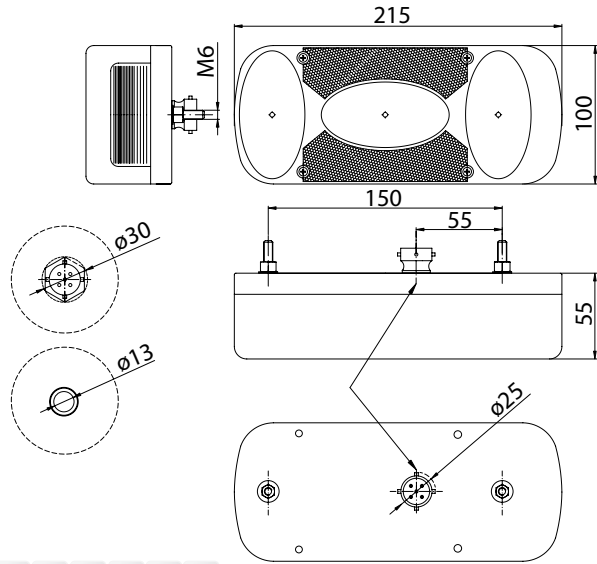


Attention

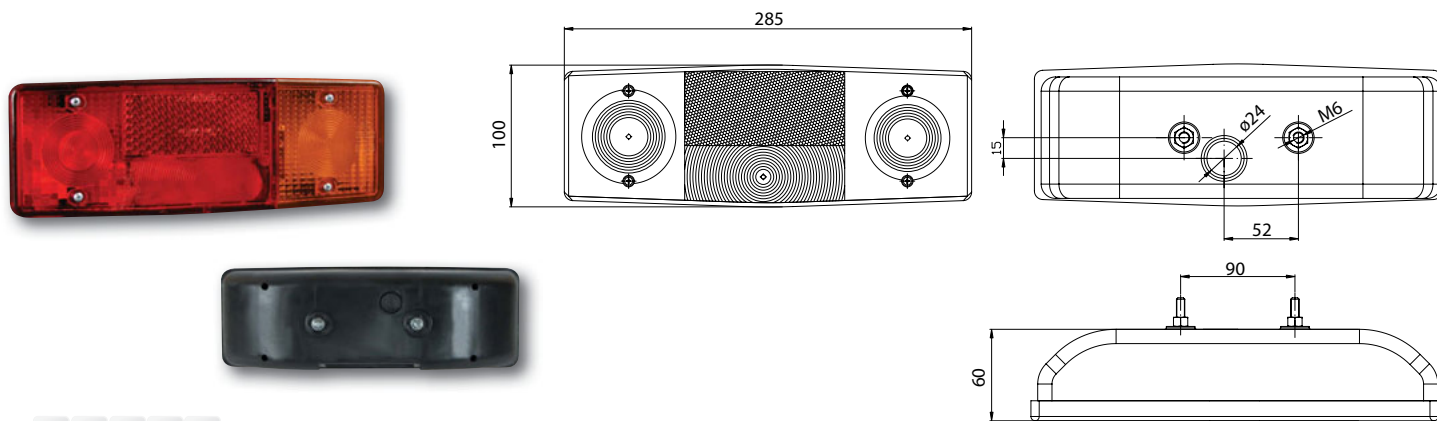
Standard version of the lamp is not equipped with a bayonet connector.



ID/EAN	Photo	Description	Unit pack		Multipack/carton			Multipack/pallet		
			qty.	kg	qty.	cm	kg	qty.	cm	kg
FT-089 L 5907556006652		Left rear lamp with a fog light, reversing light and a number plate light	1	0,50	25	59x39x29	12,50	500	120x80x165	275,00
FT-089 P 5907556006669		Right rear lamp with a fog light, reversing light and a number plate light	1	0,50	25	59x39x29	12,50	500	120x80x165	275,00
FT-089 P PK 5907556006676		Right rear lamp with a reversing light and a number plate light	1	0,50	25	59x39x29	12,50	500	120x80x165	275,00
FT-089 L AMP 7PIN 5907556006683	 	Left rear lamp with a fog light, reversing light, number plate light and 7 PIN AMP connector. All cables and bulbs included.	1	0,55	25	59x39x29	13,75	500	120x80x165	300,00
FT-089 P AMP 7PIN 5907556006690	 	Right rear lamp with a fog light, reversing light, number plate light and 7 PIN AMP connector. All cables and bulbs included.	1	0,55	25	59x39x29	13,75	500	120x80x165	300,00
FT-089 P PK BAJONET 5907556006706	 	Right rear lamp with a reversing light, number plate light and 5 PIN bayonet plug. All cables and bulbs included.	1	0,55	25	59x39x29	13,75	500	120x80x165	300,00
FT-089 K L 5907556006713		Left rear lampshade with a fog light and a reversing light	1	0,24	40	59x39x29	9,60	720	120x80x165	197,80
FT-089 K P 5907556006720		Right rear lampshade with a fog light and a reversing light	1	0,24	40	59x39x29	9,60	720	120x80x165	197,80

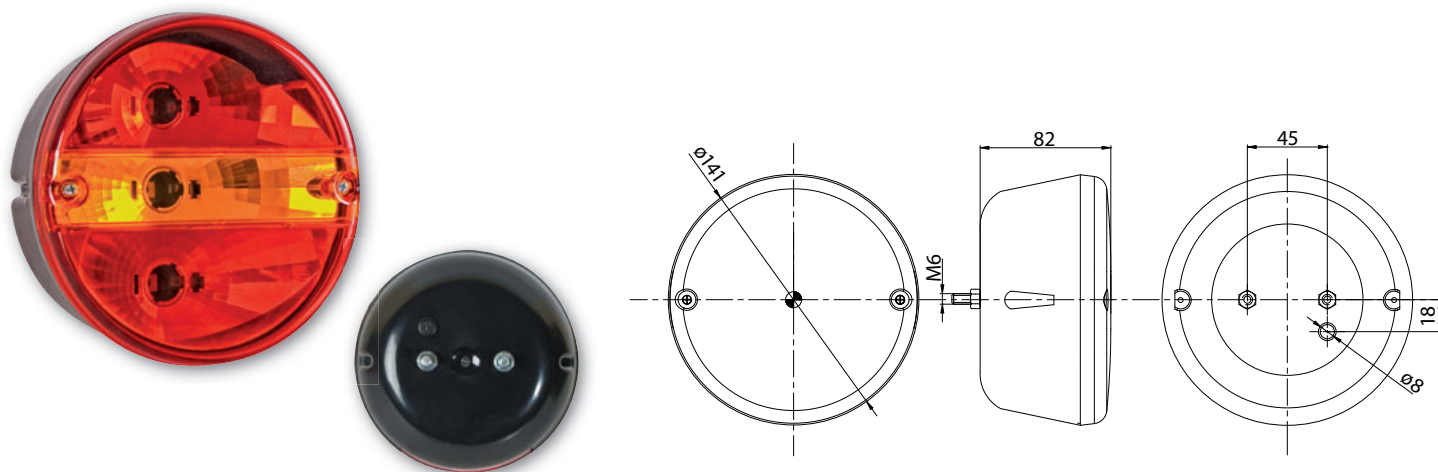


ID/EAN	Photo	Description	Unit pack		Multipack/carton			Multipack/pallet		
			qty.	kg	qty.	cm	kg	qty.	cm	kg
MD-036 L		Left rear lamp with a fog light and a number plate light	1	0,34	40	59x39x29	13,60	800	120x80x165	277,00
MD-036 P		Right rear lamp with a reversing light and a number plate light	1	0,34	40	59x39x29	13,60	800	120x80x165	277,00
MD-036 L BAJONET		Left rear lamp with a fog light, number plate light, 5 PIN bayonet connector and bulbs	1	0,40	40	59x39x29	16,00	800	120x80x165	345,00
MD-036 P BAJONET		Right rear lamp with a reversing light, number plate light, 5 PIN bayonet connector and bulbs	1	0,40	40	59x39x29	16,00	800	120x80x165	345,00
MD-036 KL		Left lampshade	1	0,15	60	59x39x29	9,00	1200	120x80x165	205,00
MD-036 KP		Right lampshade	1	0,15	60	59x39x29	9,00	1200	120x80x165	205,00
MD-036 L B		Left rear lamp with a fog light and a number plate light	1	0,33	40	59x39x29	13,20	800	120x80x165	289,00
MD-036 P B		Right rear lamp with a reversing light and a number plate light	1	0,33	40	59x39x29	13,20	800	120x80x165	289,00
MD-036 L B BAJONET		Left rear lamp with a fog light, number plate light, 5 PIN bayonet connector and bulbs	1	0,40	40	59x39x29	16,00	800	120x80x165	325,00
MD-036 P B BAJONET		Right rear lamp with a white lampshade, reversing light, number plate light, 5 PIN bayonet connector and bulbs	1	0,40	40	59x39x29	16,00	800	120x80x165	325,00
MD-036 KLB		Left lampshade	1	0,15	60	59x39x29	9,00	1200	120x80x165	205,00
MD-036 KPB		Right lampshade	1	0,15	60	59x39x29	9,00	1200	120x80x165	205,00

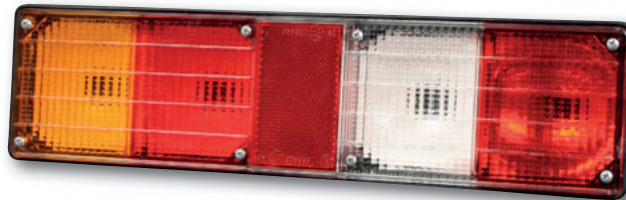
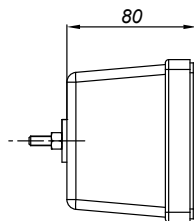
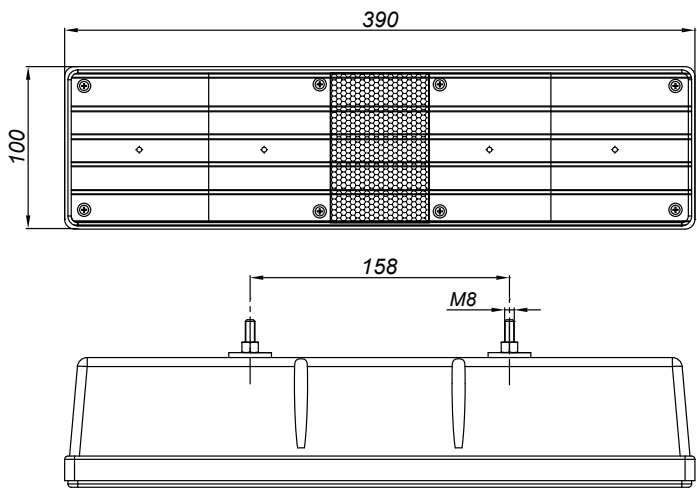


ID/EAN	Photo	Description	Unit pack		Multipack/carton			Multipack/pallet		
			qty.	kg	qty.	cm	kg	qty.	cm	kg
551 L		Left rear lamp with a number plate light	1	0,43	32	59x39x29	13,76	640	120x80x165	280,20
551 P		Right rear lamp	1	0,43	32	59x39x29	13,76	640	120x80x165	280,20
551 KL		Left lampshade	1	0,16	50	26x30x31	8,00	1000	120x80x165	185,00
551 KP		Right lampshade	1	0,16	50	26x30x31	8,00	1000	120x80x165	185,00

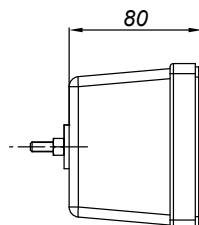
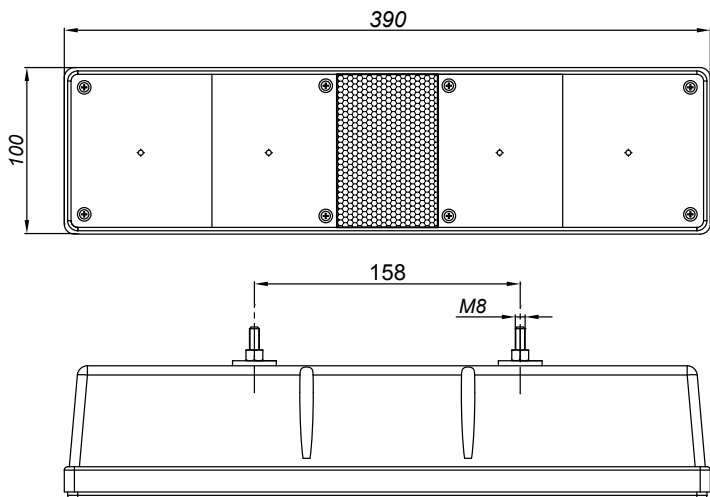
Round rear lamp for semi-trailers



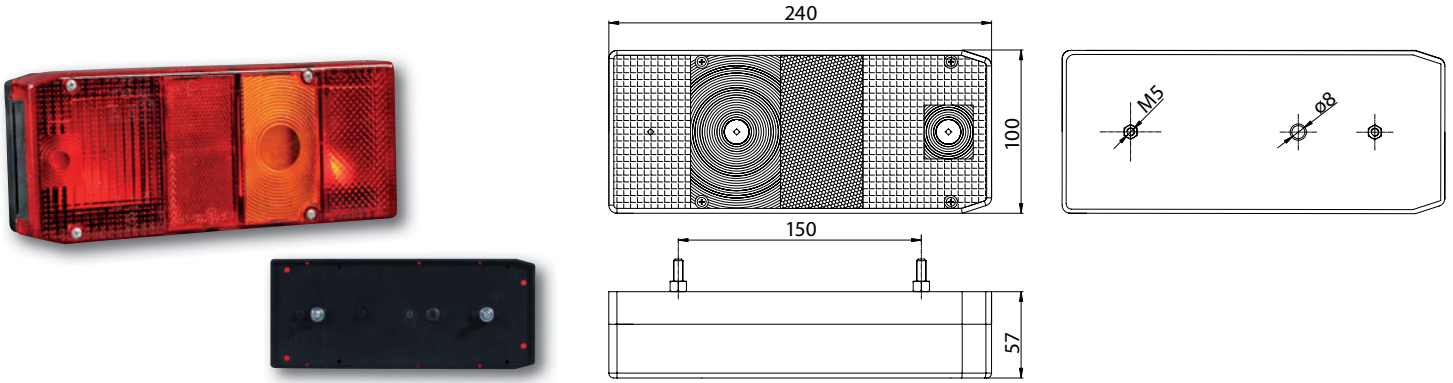
ID/EAN	Photo	Description	Unit pack		Multipack/carton			Multipack/pallet		
			qty.	kg	qty.	cm	kg	qty.	cm	kg
FT-099 L 5907556002616		Left rear lamp with a number plate light.	1	0,25	32	59x39x29	8,00	640	120x80x165	185,00
FT-099 P 5907556002623		Right rear lamp	1	0,25	32	59x39x29	8,00	640	120x80x165	185,00
FT-099 K 5907556002609		Universal lampshade	1	0,10	100	59x39x29	10,00	2000	120x80x165	225,00



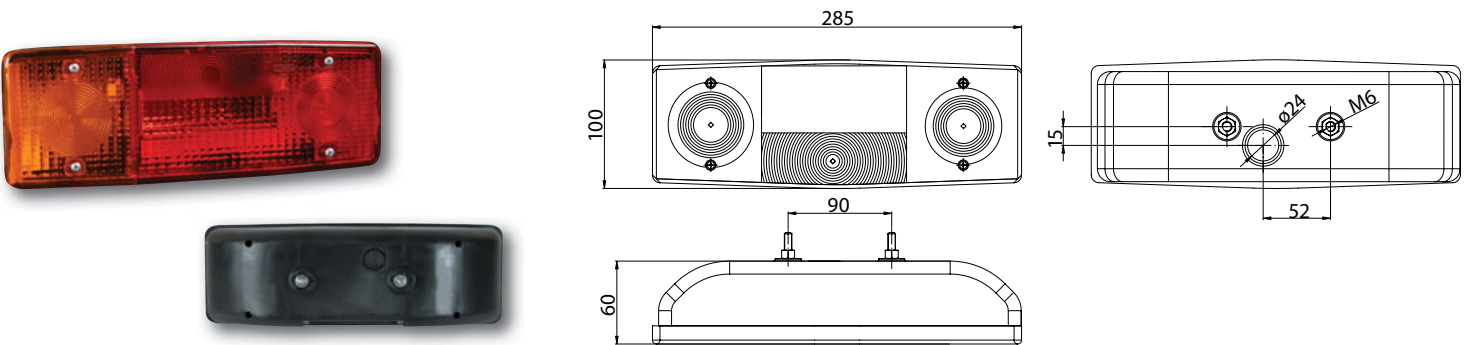
ID/EAN	Photo	Description	Unit pack		Multipack/carton			Multipack/pallet		
			qty.	kg	qty.	cm	kg	qty.	cm	kg
MD-014 L 5907556003422		Left rear lamp	1	0,80	18	59x39x29	14,40	360	120x80x165	313,00
MD-014 P 5907556003439		Right rear lamp	1	0,80	18	59x39x29	14,40	360	120x80x165	313,00
MD-014 K 5907556003415		Rear lampshade	1	0,27	96	59x39x29	25,92	1920	120x80x165	543,40



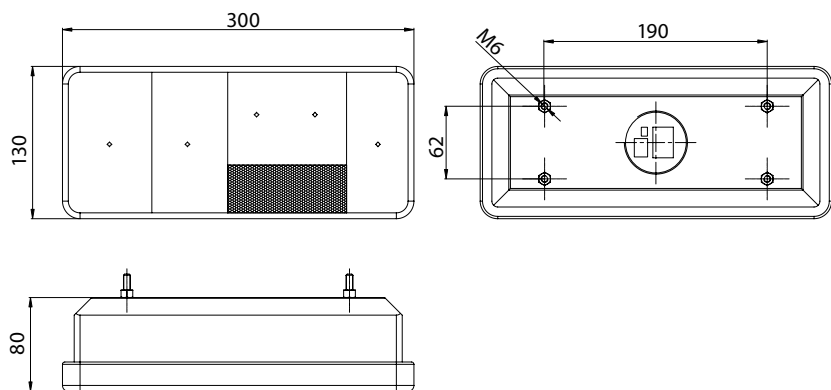
ID/EAN	Photo	Description	Unit pack		Multipack/carton			Multipack/pallet		
			qty.	kg	qty.	cm	kg	qty.	cm	kg
MD-022 L 5907556003545		Left rear lamp	1	0,77	18	59x39x29	13,86	360	120x80x165	302,20
MD-022 P 5907556003552		Right rear lamp	1	0,77	18	59x39x29	13,86	360	120x80x165	302,20
MD-022 K 5907556003538		Rear lampshade	1	0,22	88	59x39x29	19,36	1600	120x80x165	377,00



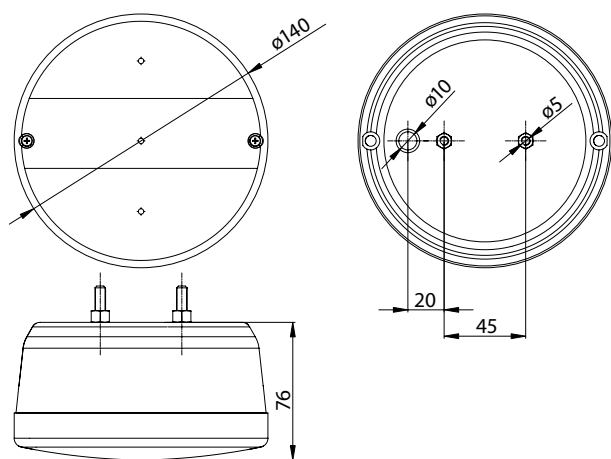
ID/EAN	Photo	Description	Unit pack		Multipack/carton			Multipack/pallet		
			qty.	kg	qty.	cm	kg	qty.	cm	kg
FT-002 L 5907556000322		Left rear lamp with a fog light and a number plate light	1	0,37	36	59x39x29	13,32	720	120x80x165	291,40
FT-002 P 5907556000339		Right rear lamp with a reversing light and a number plate light	1	0,37	36	59x39x29	13,32	720	120x80x165	291,40
FT-002 KL 5907556000308		Left lampshade	1	0,15	70	59x39x29	10,50	1400	120x80x165	235,00
FT-002 KP 5907556000315		Right lampshade	1	0,15	70	59x39x29	10,50	1400	120x80x165	235,00



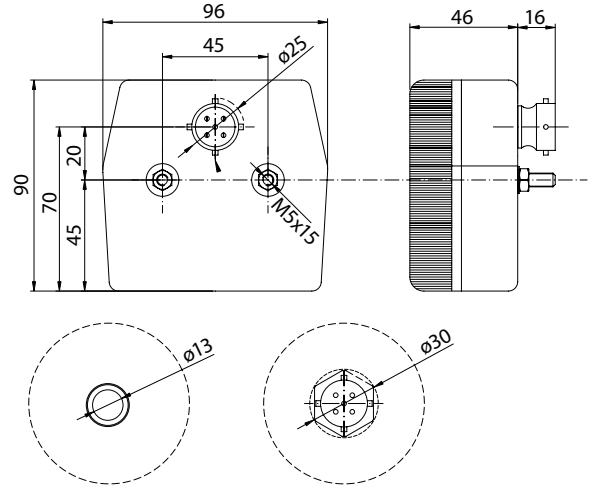
ID/EAN	Photo	Description	Unit pack		Multipack/carton			Multipack/pallet		
			qty.	kg	qty.	cm	kg	qty.	cm	kg
549 L		Left rear lamp with a number plate light	1	0,41	32	59x39x29	13,12	640	120x80x165	287,40
549 P		Right rear lamp	1	0,41	32	59x39x29	13,12	640	120x80x165	287,40
549 KL		Left lampshade	1	0,13	50	26x30x31	6,50	1000	120x80x165	155,00
549 KP		Right lampshade	1	0,13	50	26x30x31	6,50	1000	120x80x165	155,00



ID/EAN	Photo	Description	Unit pack		Multipack/carton			Multipack/pallet		
			qty.	kg	qty.	cm	kg	qty.	cm	kg
FT-035 L		Left rear lamp	1	0,71	28	70x51x43	19,88	168	120x80x144	144,28
FT-035 P		Right rear lamp	1	0,71	28	70x51x43	19,88	168	120x80x144	144,28
FT-035 KL		Left lampshade	1	0,18	48	59x39x29	8,64	960	120x80x165	197,80
FT-035 KP		Right lampshade	1	0,18	48	59x39x29	8,64	960	120x80x165	197,80



ID/EAN	Photo	Description	Unit pack		Multipack/carton			Multipack/pallet		
			qty.	kg	qty.	cm	kg	qty.	cm	kg
MD-016 L		Left rear lamp with a number plate light	1	0,28	38	59x39x29	10,64	760	120x80x165	237,80
MD-016 P		Right rear lamp	1	0,28	38	59x39x29	10,64	760	120x80x165	237,80
MD-016 K		Universal lampshade	1	0,10	100	59x39x29	10,00	2000	120x80x165	225,00

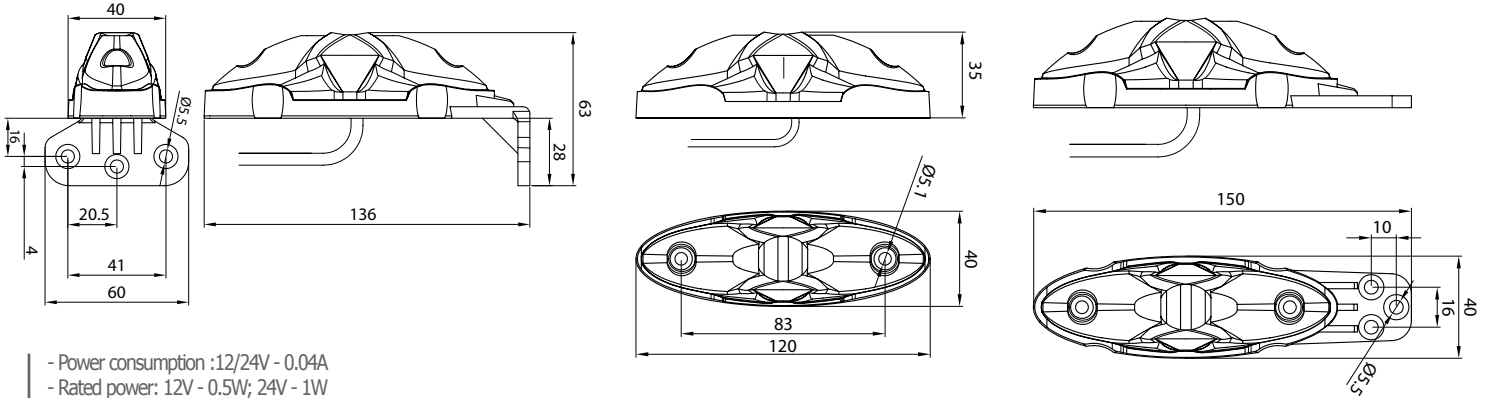


ID/EAN	Photo	Description	Unit pack		Multipack/carton			Multipack/pallet		
			qty.	kg	qty.	cm	kg	qty.	cm	kg
MD-002 L 5907556002784		Left rear lamp with a number plate light	1	0,15	120	59x39x29	18,00	2400	120x80x165	385,00
MD-002 P 5907556002807		Right rear lamp without a number plate light	1	0,15	120	59x39x29	18,00	2400	120x80x165	385,00
MD-002 L BAJONET 5907556002791		Left rear lamp with a number plate light and 5 PIN bayonet connector	1	0,17	120	59x39x29	20,40	2400	120x80x165	433,00
MD-002 P BAJONET 5907556002814		Right rear lamp without a number plate light and 5 PIN bayonet connector	1	0,17	120	59x39x29	20,40	2400	120x80x165	433,00
MD-002 K 5907556002777		Universal lampshade	1	0,04	324	59x39x29	12,96	6480	120x80x165	264,20

CLEARANCE LAMPS

Clearance LED lamps

- ◇ Standard length of the cable 0.5m, 2x0.75mm²
 - QS075** - Electrical connector enabling connection of the lamp to a 2x0.75mm² diameter electrical installation
 - QS150** - Electrical connector enabling connection of the lamp to a 2x1.50mm² diameter electrical installation
- ◇ Nonstandard length of the cable (QS075, QS150) - upon request.
Lead time is individually determined.

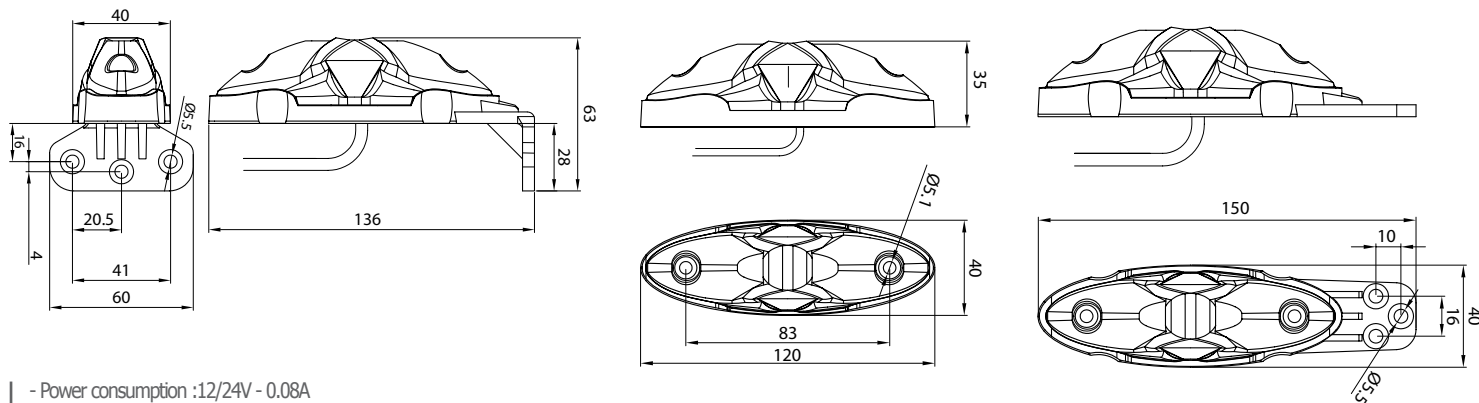


- Power consumption :12/24V - 0.04A
- Rated power: 12V - 0.5W; 24V - 1W
- Operating temperature range: -40 to +85°C
- LGY 2x0.75 mm² cable
- Cable length - 0.5 m



ID/EAN	Photo	Description	Unit pack		Multipack/carton			Multipack/pallet		
			qty.	kg	qty.	cm	kg	qty.	cm	kg
FT-038 CB 5907556006522		Clearance LED lamp, bifunctional, with a sidelight (front and tail)	2	0,15	250	59x39x29	18,75	5000	120x80x165	400,00
FT-038 CB *QS075 5907556006539		Clearance LED lamp, bifunctional, with a sidelight (front and tail) and a cable with QS075 quick connector	2	0,20	250	59x39x29	25,00	5000	120x80x165	525,00
FT-038 CB *QS150 5907556006546		Clearance LED lamp, bifunctional, with a sidelight (front and tail) and a cable with QS150 quick connector	2	0,20	250	59x39x29	25,00	5000	120x80x165	525,00
FT-038 CB I 5907556006553		Clearance LED lamp, bifunctional, with a sidelight (front and tail), on an extended straight bracket	2	0,15	200	59x39x29	15,00	4000	120x80x165	325,00
FT-038 CB I *QS075 5907556006560		Clearance LED lamp, bifunctional, with a sidelight (front and tail), on an extended straight bracket, cable with QS075 quick connector	2	0,20	200	59x39x29	20,00	4000	120x80x165	425,00
FT-038 CB I *QS150 5907556006577		Clearance LED lamp, bifunctional, with a sidelight (front and tail), on an extended straight bracket, 0.5 m cable with QS150 quick connector	2	0,20	200	59x39x29	20,00	4000	120x80x165	425,00
FT-038 CB II 5907556006584		Clearance LED lamp, bifunctional, with a sidelight (front and tail), on an angle bracket	2	0,15	200	59x39x29	15,00	4000	120x80x165	325,00
FT-038 CB II *QS075 5907556006591		Clearance LED lamp, bifunctional, with a sidelight (front and tail), on an angle bracket, cable with QS075 quick connector	2	0,20	200	59x39x29	20,00	4000	120x80x165	425,00
FT-038 CB II *QS150 5907556006607		Clearance LED lamp, bifunctional, with a sidelight (front and tail), on an angle bracket, cable with QS150 quick connector	2	0,20	200	59x39x29	20,00	4000	120x80x165	425,00

*Custom product - lead time will be determined and provided by phone or in writing.

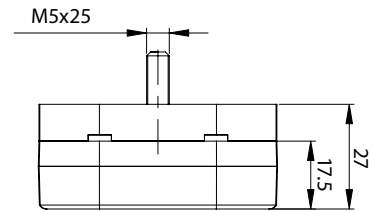
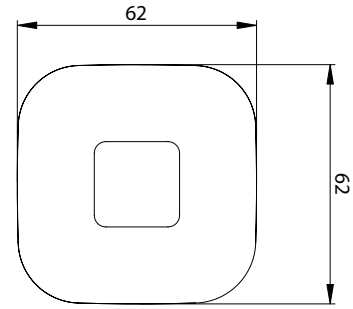


- Power consumption :12/24V - 0.08A
- Rated power: 12V - 1W; 24V - 2W
- Operating temperature range: -40 to +85°C
- LGY 2x0.75 mm² cable
- Cable length - 0.5 m

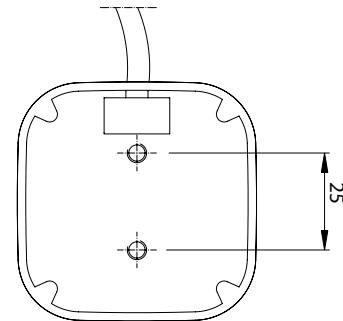


ID/EAN	Photo	Description	Unit pack		Multipack/carton			Multipack/pallet		
			qty.	kg	qty.	cm	kg	qty.	cm	kg
FT-038 5907556006430		Clearance LED lamp, trifunctional, with a sidelight (front, tail and side), 0,5 m long cable	2	0,15	250	59x39x29	18,75	5000	120x80x165	400,00
FT-038 *QS075 5907556006447		Clearance LED lamp, trifunctional with a sidelight (front, tail and side), 0,5 m long cable with QS075 quick connector	2	0,20	250	59x39x29	25,00	5000	120x80x165	525,00
FT-038 *QS150 5907556006454		Clearance LED lamp, trifunctional with a sidelight (front, side and tail), 0,5 m long cable with QS150 quick connector	2	0,20	250	59x39x29	25,00	5000	120x80x165	525,00
FT-038 I 5907556006461		Clearance LED lamp, trifunctional with a sidelight (front, side and tail), on an extended straight bracket, 0,5 m long cable	2	0,15	200	59x39x29	15,00	4000	120x80x165	325,00
FT-038 I *QS075 5907556006478		Clearance LED lamp, trifunctional with a sidelight (front, side and tail), on an extended straight bracket, 0,5 m long cable with QS075 quick connector	2	0,20	200	59x39x29	20,00	4000	120x80x165	425,00
FT-038 I *QS150 5907556006485		Clearance LED lamp, trifunctional with a sidelight (front, side and tail), on an extended straight bracket, 0,5 m long cable with QS150 quick connector	2	0,20	200	59x39x29	20,00	4000	120x80x165	425,00
FT-038 II 5907556006492		Clearance LED lamp, trifunctional with a sidelight (front, side and tail), on an angle bracket, 0,5 m long cable	2	0,20	200	59x39x29	20,00	4000	120x80x165	425,00
FT-038 II *QS075 5907556006508		Clearance LED lamp, trifunctional with a sidelight (front, side and tail), on an angle bracket, 0,5 m long cable with QS075 quick connector	2	0,15	200	59x39x29	15,00	4000	120x80x165	325,00
FT-038 II *QS150 5907556006515		Clearance LED lamp, trifunctional with a sidelight (front, side and tail), on an angle bracket, 0,5 m long cable with QS150 quick connector	2	0,15	200	59x39x29	15,00	4000	120x80x165	325,00

*Custom product - lead time will be determined and provided by phone or in writing.

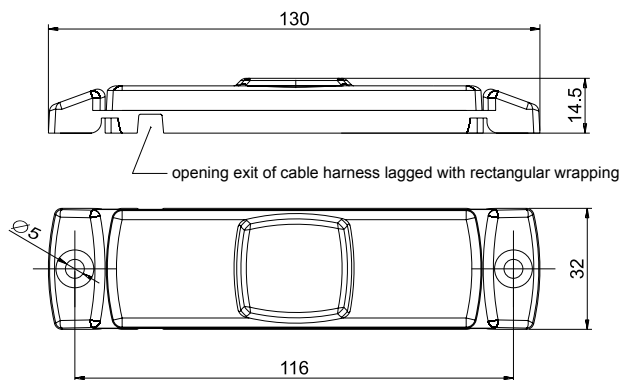
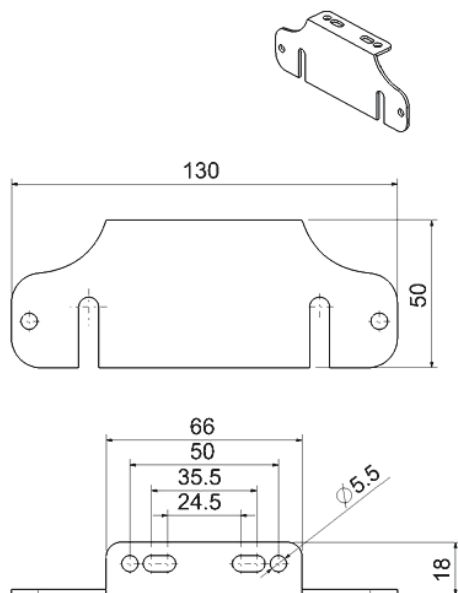


glass spacer



LED CAT SM

ID/EAN	Photo	Description	Unit pack		Multipack/carton			Multipack/pallet		
			qty.	kg	qty.	cm	kg	qty.	cm	kg
FT-027 B 5907556004948		White clearance LED lamp with a cable	10	0,70	200	59x39x29	14,00	4000	120x80x165	305,00
FT-027 B *QS075 5907556005006		White clearance LED lamp with a cable and QS075 quick connector	10	0,70	200	59x39x29	14,00	4000	120x80x165	305,00
FT-027 B *QS150 5907556004979		White clearance LED lamp with a cable and QS150 quick connector	10	0,70	200	59x39x29	14,00	4000	120x80x165	305,00
FT-027 Z 5907556004962		Yellow clearance LED lamp with a cable	10	0,70	200	59x39x29	14,00	4000	120x80x165	305,00
FT-027 Z *QS075 5907556005020		Yellow clearance LED lamp with a cable and QS075 quick connector	10	0,70	200	59x39x29	14,00	4000	120x80x165	305,00
FT-027 Z *QS150 5907556004993		Yellow clearance LED lamp with a cable and QS150 quick connector	10	0,70	200	59x39x29	14,00	4000	120x80x165	305,00
FT-027 C 5907556004955		Red clearance LED lamp with a cable	0	0,70	200	59x39x29	14,00	4000	120x80x165	305,00
FT-027 C *QS075 5907556005013		Red clearance LED lamp with a cable and QS075 quick connector	0	0,70	200	59x39x29	14,00	4000	120x80x165	305,00
FT-027 C *QS150 5907556004986		Red clearance LED lamp with a cable and QS150 quick connector	0	0,70	200	59x39x29	14,00	4000	120x80x165	305,00

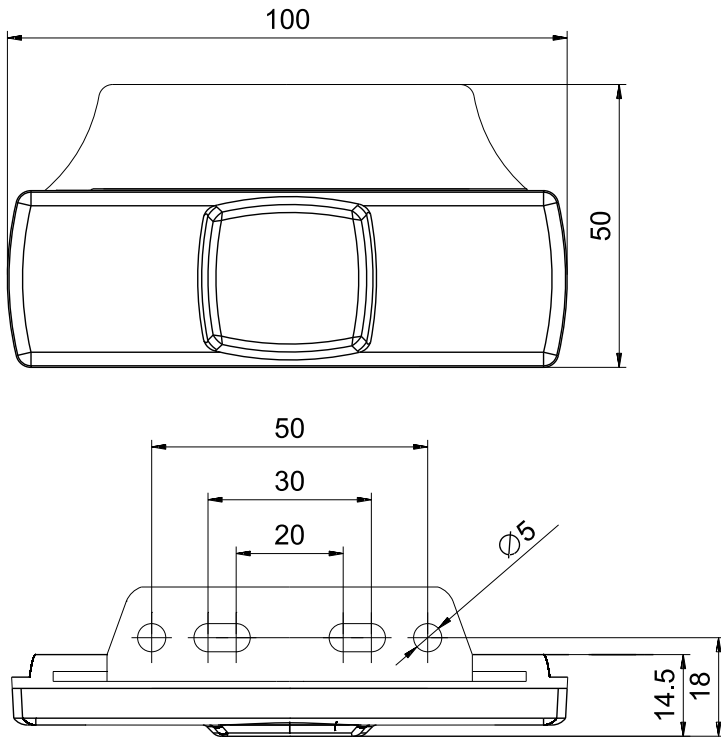


- Free polarization
- Universal voltage - 12-30V
- Operating temperature range: -40°C do +100°C
- Life of the light source (LED diode) ≈ 50.000 h of continuous work
- Integrated cable 2x0,75 mm²
- Electric parameters: at 12V power supply (0,04A)/ 0,5W; at 24V power supply (0,02A)/ 0,5W

LED CAT SM

ID/EAN	Photo	Description	Unit pack		Multipack/carton			Multipack/pallet		
			qty.	kg	qty.	cm	kg	qty.	cm	kg
FT-017 B 5907556001725		White clearance LED lamp with a cable	10	0,51	400	59x39x29	20,40	8000	120x80x165	433,00
FT-017 B *QS075 5907556004412		White clearance LED lamp with a cable and QS075 quick connector	10	0,56	350	59x39x29	19,60	7000	120x80x165	417,00
FT-017 B *QS150 5907556001732		White clearance LED lamp with a cable and QS150 quick connector	10	0,56	350	59x39x29	19,60	7000	120x80x165	417,00
FT-017 Ż 5907556001763		Yellow clearance LED lamp with a cable	10	0,51	400	59x39x29	20,40	8000	120x80x165	433,00
FT-017 Ż *QS075 5907556004450		Yellow clearance LED lamp with a cable and QS075 quick connector	10	0,56	350	59x39x29	19,60	7000	120x80x165	417,00
FT-017 Ż *QS150 5907556001817		Yellow clearance LED lamp with a cable and QS150 quick connector	10	0,56	350	59x39x29	19,60	7000	120x80x165	417,00
FT-017 C 5907556001800		Red clearance LED lamp with a cable	10	0,51	400	59x39x29	20,40	8000	120x80x165	433,00
FT-017 C *QS075 5907556004436		Red clearance LED lamp with a cable and QS075 quick connector	10	0,56	350	59x39x29	19,60	7000	120x80x165	417,00
FT-017 C *QS150 5907556001770		Red clearance LED lamp with a cable and QS150 quick connector	10	0,56	350	59x39x29	19,60	7000	120x80x165	417,00
KAT FT-017/FT-018 5907556002678		Angle holder for FT-017/FT-018 clearance lamps. Possibility of mounting on both sides.	10	0,20						

*Custom product - lead time will be determined and provided by phone or in writing.

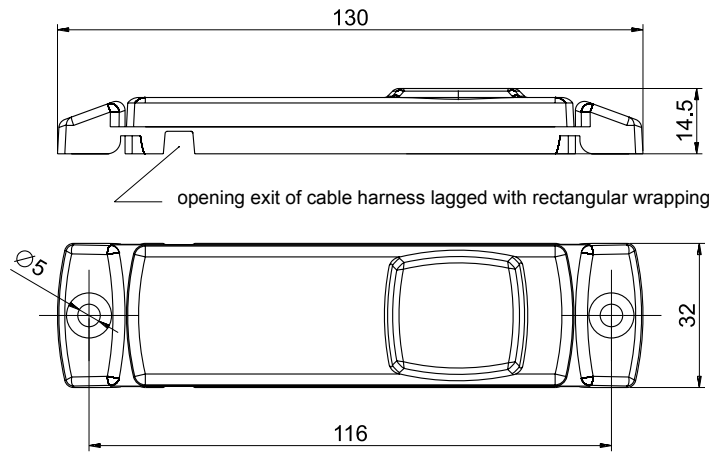
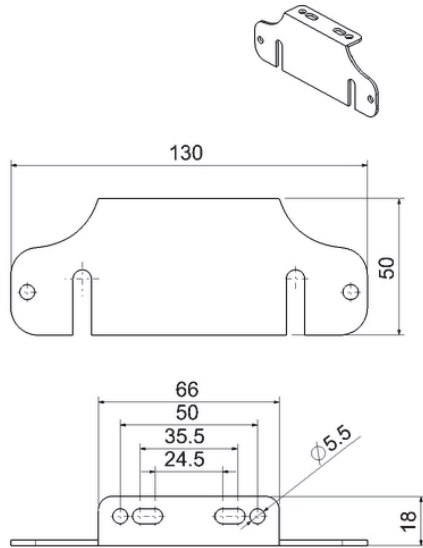


- Free polarization
- Universal voltage - 12-30V
- Operating temperature range: -40°C do +100°C
- Life of the light source (LED diode) ≈ 50.000 h of continuous work
- Integrated cable 2x0,75 mm²
- Electric parameters: at 12V power supply (0,04A)/ 0,5W; at 24V power supply (0,02A)/ 0,5W

LED CAT SM

ID/EAN	Photo	Description	Unit pack		Multipack/carton			Multipack/pallet		
			qty.	kg	qty.	cm	kg	qty.	cm	kg
FT-017 K B 5907556001749			10	0,53	400	59x39x29	21,20	8000	120x80x165	449,00
FT-017 K B *QS075 5907556004429			10	0,58	400	59x39x29	23,20	8000	120x80x165	489,00
FT-017 K B *QS150 5907556001756			10	0,58	400	59x39x29	23,20	8000	120x80x165	489,00
FT-017 K Ž 5907556001787			10	0,53	400	59x39x29	21,20	8000	120x80x165	449,00
FT-017 K Ž *QS075 5907556004467			10	0,58	400	59x39x29	23,20	8000	120x80x165	489,00
FT-017 K Ž *QS150 5907556001831			10	0,58	400	59x39x29	23,20	8000	120x80x165	489,00
FT-017 K C 5907556001824			10	0,53	400	59x39x29	21,20	8000	120x80x165	449,00
FT-017 K C *QS075 5907556004443			10	0,58	400	59x39x29	23,20	8000	120x80x165	489,00
FT-017 K C *QS150 5907556001794			10	0,58	400	59x39x29	23,20	8000	120x80x165	489,00

*Custom product - lead time will be determined and provided by phone or in writing.



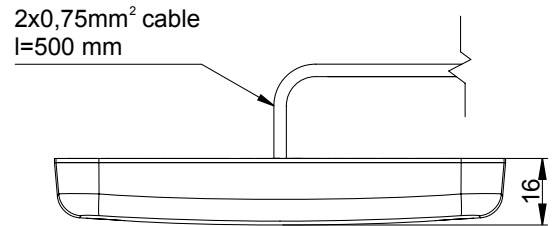
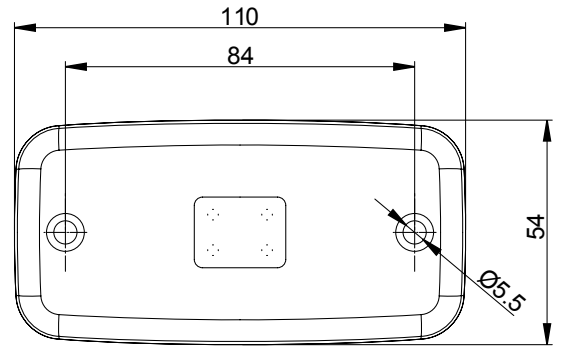
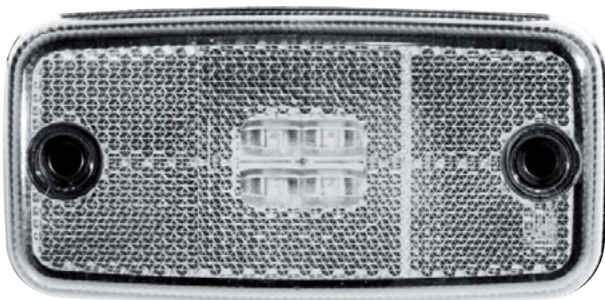
- Free polarization
- Universal voltage - 12-30V
- Operating temperature range: -40°C do +100°C
- Life of the light source (LED diode) ≈ 50.000 h of continuous work
- Integrated cable 2x0,75 mm²
- Electric parameters: at 12V power supply (0,04A)/ 0,5W; at 24V power supply (0,02A)/ 0,5W



LED CAT SM

ID/EAN	Photo	Description	Unit pack		Multipack/carton			Multipack/pallet		
			qty.	kg	qty.	cm	kg	qty.	cm	kg
FT-018 B 5907556001848		White clearance LED lamp with a cable	10	0,51	400	59x39x29	20,40	8000	120x80x165	433,00
FT-018 B *QS075 5907556004474		White clearance LED lamp with a cable and QS075 quick connector	10	0,56	350	59x39x29	19,60	7000	120x80x165	417,00
FT-018 B *QS150 5907556001855		White clearance LED lamp with a cable and QS150 quick connector	10	0,56	350	59x39x29	19,60	7000	120x80x165	417,00
FT-018 Ż 5907556001886		Yellow clearance LED lamp with a cable	10	0,51	400	59x39x29	20,40	8000	120x80x165	433,00
FT-018 Ż *QS075 5907556004498		Yellow clearance LED lamp with a cable and QS075 quick connector	10	0,56	350	59x39x29	19,60	7000	120x80x165	417,00
FT-018 Ż *QS150 5907556001893		Yellow clearance LED lamp with a cable and QS150 quick connector	10	0,56	350	59x39x29	19,60	7000	120x80x165	417,00
FT-018 C 5907556001862		Red clearance LED lamp with a cable	10	0,51	400	59x39x29	20,40	8000	120x80x165	433,00
FT-018 C *QS075 5907556004481		Red clearance LED lamp with a cable and QS075 quick connector	10	0,56	350	59x39x29	19,60	7000	120x80x165	417,00
FT-018 C *QS150 5907556001879		Red clearance LED lamp with a cable and QS150 quick connector	10	0,56	350	59x39x29	19,60	7000	120x80x165	417,00
KAT FT-017/FT-018 5907556002678		Angle handle for FT-17/FT-18 clearance lamps. Possibility of mounting on both sides.	10	0,20						

*Custom product - lead time will be determined and provided by phone or in writing.

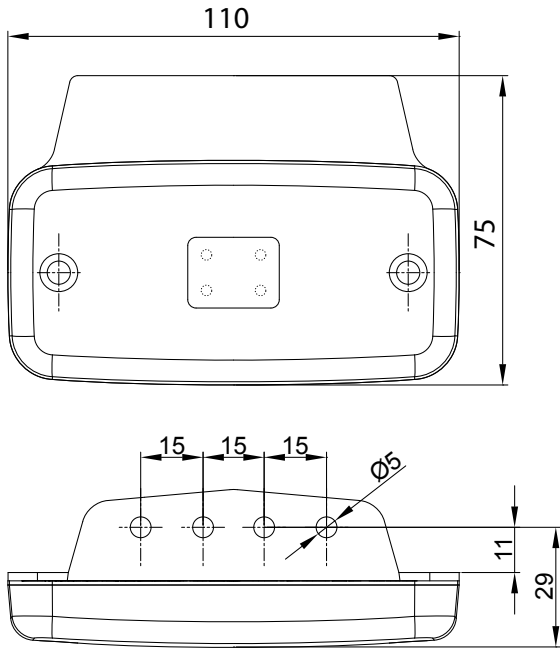


- Free polarization
- Universal voltage - 12-30V
- Operating temperature range: -40°C do +100°C
- Life of the light source (LED diode) ≈ 50.000 h of continuous work
- Integrated cable 2x0,75 mm²
- Electric parameters: at 12V power supply (0,04A)/ 0,5W; at 24V power supply (0,02A)/ 0,5W

LED • CAT SM

ID/EAN	Photo	Description	Unit pack		Multipack/carton			Multipack/pallet		
			qty.	kg	qty.	cm	kg	qty.	cm	kg
FT-019 B 5907556001909			10	0,51	300	59x39x29	15,30	6000	120x80x165	331,00
FT-019 B *QS075 5907556004498			10	0,56	250	59x39x29	14,00	5000	120x80x165	305,00
FT-019 B *QS150 5907556001909			10	0,56	250	59x39x29	14,00	5000	120x80x165	305,00
FT-019 Ż 5907556001985			10	0,51	300	59x39x29	15,30	6000	120x80x165	331,00
FT-019 Ż *QS075 5907556004542			10	0,56	250	59x39x29	14,00	5000	120x80x165	305,00
FT-019 Ż *QS150 5907556001992			10	0,56	250	59x39x29	14,00	5000	120x80x165	305,00
FT-019 C 5907556001947			10	0,51	300	59x39x29	15,30	6000	120x80x165	331,00
FT-019 C *QS075 5907556004528			10	0,56	250	59x39x29	14,00	5000	120x80x165	305,00
FT-019 C *QS150 5907556001954			10	0,56	250	59x39x29	14,00	5000	120x80x165	305,00
KAT FT-019 5907556005587		Angle handle for FT-19 clearance lamps	10	0,20						

*Custom product - lead time will be determined and provided by phone or in writing.

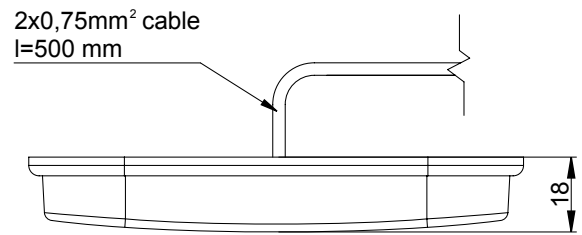
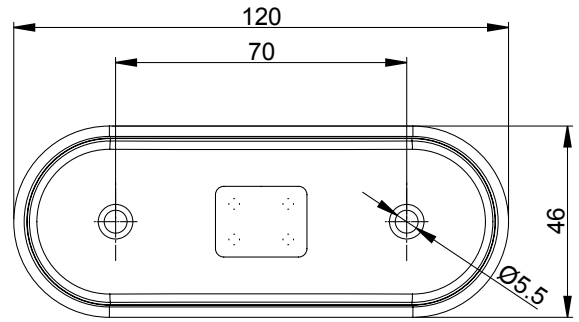
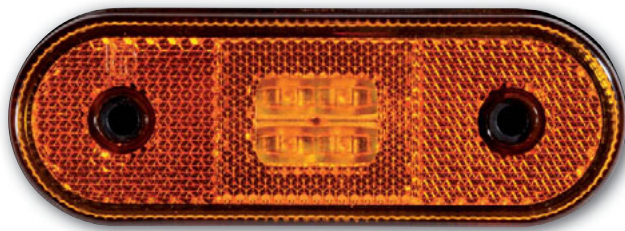


- Free polarization
- Universal voltage - 12-30V
- Operating temperature range: -40°C do +100°C
- Life of the light source (LED diode) ≈ 50.000 h of continuous work
- Integrated cable 2x0,75 mm²
- Electric parameters: at 12V power supply (0,04A)/ 0,5W; at 24V power supply (0,02A)/ 0,5W

LED CAT SM

ID/EAN	Photo	Description	Unit pack		Multipack/carton			Multipack/pallet		
			qty.	kg	qty.	cm	kg	qty.	cm	kg
FT-019 B+K 5907556001923		White clearance LED lamp with an angle holder and a cable	10	0,95	200	59x39x29	19,00	4000	120x80x165	405,00
FT-019 B+K *QS075 5907556004511		White clearance LED lamp with an angle holder, a cable and QS075 quick connector	10	1,00	200	59x39x29	20,00	4000	120x80x165	425,00
FT-019 B+K *QS150 5907556001930		White clearance LED lamp with an angle holder, a cable and QS150 quick connector	10	1,00	200	59x39x29	20,00	4000	120x80x165	425,00
FT-019 Ž+K 5907556002005		Yellow clearance LED lamp with an angle holder and a cable	10	0,95	200	59x39x29	19,00	4000	120x80x165	405,00
FT-019 Ž+K *QS075 5907556004559		Yellow clearance LED lamp with an angle holder, a cable and QS075 quick connector	10	1,00	200	59x39x29	20,00	4000	120x80x165	425,00
FT-019 Ž+K *QS150 5907556002012		Yellow clearance LED lamp with an angle holder, a cable and QS150 quick connector	10	1,00	200	59x39x29	20,00	4000	120x80x165	425,00
FT-019 C+K 5907556001961		Red clearance LED lamp with a cable	10	0,95	200	59x39x29	19,00	4000	120x80x165	405,00
FT-019 C+K *QS075 5907556004535		Red clearance LED lamp with an angle holder, a cable and QS075 quick connector	10	1,00	200	59x39x29	20,00	4000	120x80x165	425,00
FT-019 C+K *QS150 5907556001978		Red clearance LED lamp with an angle holder, a cable and QS150 quick connector	10	1,00	200	59x39x29	20,00	4000	120x80x165	425,00

*Custom product - lead time will be determined and provided by phone or in writing.

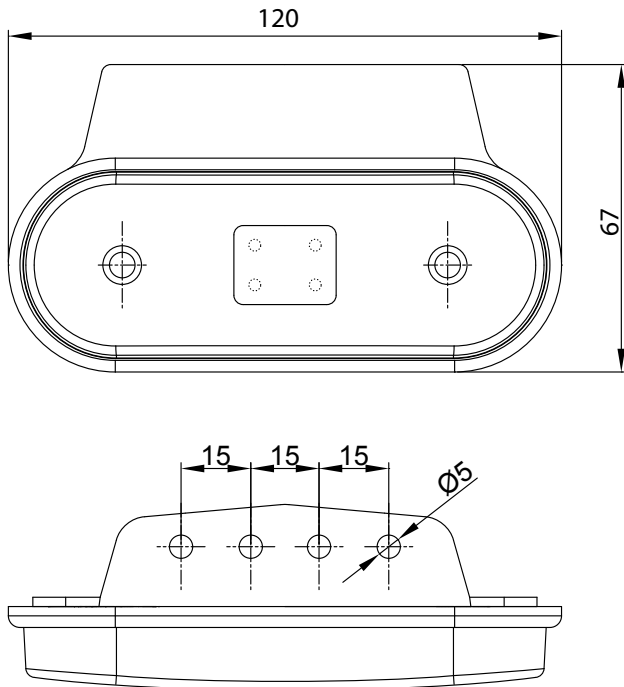


- Free polarization
- Universal voltage - 12-30V
- Operating temperature range: -40°C do +100°C
- Life of the light source (LED diode) ≈ 50.000 h of continuous work
- Integrated cable 2x0,75 mm²
- Electric parameters: at 12V power supply (0,04A)/ 0,5W; at 24V power supply (0,02A)/ 0,5W

LED CAT SM

ID/EAN	Photo	Description	Unit pack		Multipack/carton			Multipack/pallet		
			qty.	kg	qty.	cm	kg	qty.	cm	kg
FT-020 B 5907556002029		White clearance LED lamp with a cable	10	0,65	300	59x39x29	19,50	6000	120x80x165	415,00
FT-020 B *QS075 5907556004566		White clearance LED lamp with a cable and QS075 quick connector	10	0,70	300	59x39x29	21,00	6000	120x80x165	445,00
FT-020 B *QS150 5907556006881		White clearance LED lamp with a cable and QS150 quick connector	10	0,70	300	59x39x29	21,00	6000	120x80x165	445,00
FT-020 Ż 5907556002104		Yellow clearance LED lamp with a cable	10	0,65	300	59x39x29	19,50	6000	120x80x165	415,00
FT-020 Ż *QS075 5907556004603		Yellow clearance LED lamp with a cable and QS075 quick connector	10	0,70	300	59x39x29	21,00	6000	120x80x165	445,00
FT-020 Ż *QS150 5907556006898		Yellow clearance LED lamp with a cable and QS150 quick connector	10	0,70	300	59x39x29	21,00	6000	120x80x165	445,00
FT-020 C 5907556002067		Red clearance LED lamp with a cable	10	0,65	300	59x39x29	19,50	6000	120x80x165	415,00
FT-020 C *QS075 5907556004580		Red clearance LED lamp with a cable and QS075 quick connector	10	0,70	300	59x39x29	21,00	6000	120x80x165	445,00
FT-020 C *QS150 5907556006904		Red clearance LED lamp with a cable and QS150 quick connector	10	0,70	300	59x39x29	21,00	6000	120x80x165	445,00
KAT FT-020 5907556005594		Angle handle for FT-020 clearance lamps	10	0,20						

*Custom product - lead time will be determined and provided by phone or in writing.

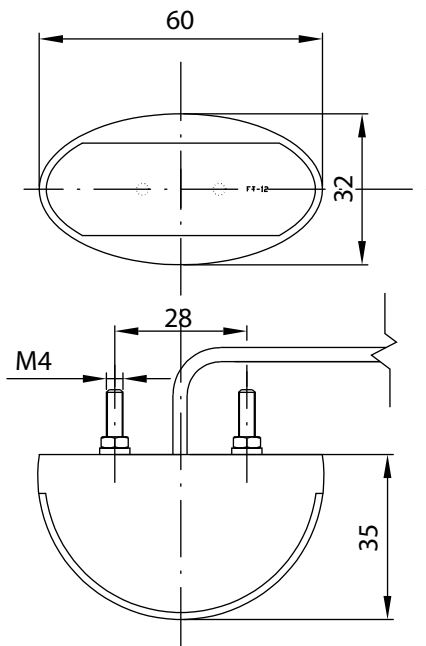


- Free polarization
- Universal voltage - 12-30V
- Operating temperature range: -40°C do +100°C
- Life of the light source (LED diode) ≈ 50.000 h of continuous work
- Integrated cable 2x0,75 mm²
- Electric parameters: at 12V power supply (0,04A)/ 0,5W; at 24V power supply (0,02A)/ 0,5W

LED CAT SM

ID/EAN	Photo	Description	Unit pack		Multipack/carton			Multipack/pallet		
			qty.	kg	qty.	cm	kg	qty.	cm	kg
FT-020 B+K 5907556002029		White clearance LED lamp with an angle holder and a cable	10	0,85	250	59x39x29	21,25	5000	120x80x165	450,00
FT-020 B+K *QS075 5907556004573		White clearance LED lamp with an angle holder, a cable and QS075 quick connector	10	0,90	250	59x39x29	22,50	5000	120x80x165	475,00
FT-020 B+K *QS150 5907556002050		White clearance LED lamp with an angle holder, a cable and QS150 quick connector	10	0,90	250	59x39x29	22,50	5000	120x80x165	475,00
FT-020 Ž+K 5907556002104		Yellow clearance LED lamp with an angle holder and a cable	10	0,85	250	59x39x29	21,25	5000	120x80x165	450,00
FT-020 Ž+K *QS075 5907556004610		Yellow clearance LED lamp with an angle holder, a cable and QS075 quick connector	10	0,90	250	59x39x29	22,50	5000	120x80x165	475,00
FT-020 Ž+K *QS150 5907556002135		Yellow clearance LED lamp with an angle holder, a cable and QS150 quick connector	10	0,90	250	59x39x29	22,50	5000	120x80x165	475,00
FT-020 C+K 5907556002067		Red clearance LED lamp with a cable	10	0,85	250	59x39x29	21,25	5000	120x80x165	450,00
FT-020 C+K *QS075 5907556004597		Red clearance LED lamp with an angle holder, a cable and QS075 quick connector	10	0,90	250	59x39x29	22,50	5000	120x80x165	475,00
FT-020 C+K *QS150 5907556002098		Red clearance LED lamp with an angle holder, a cable and QS150 quick connector	10	0,90	250	59x39x29	22,50	5000	120x80x165	475,00

*Custom product - lead time will be determined and provided by phone or in writing.

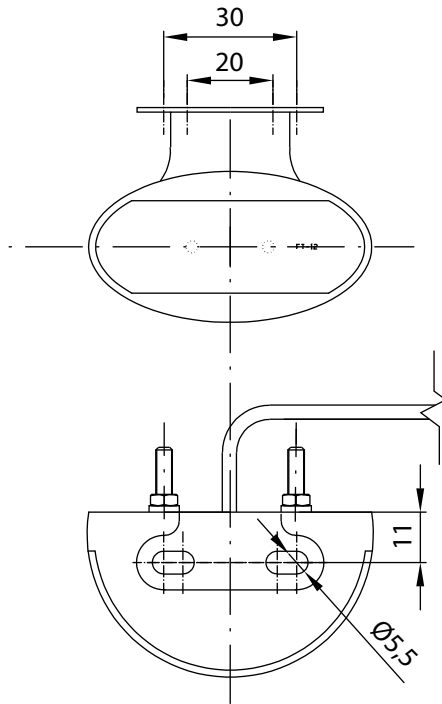


- Universal voltage - 12-30V
- Polarization change protection
- Electric parameters: at 12V power supply (0,04A)/ 0,5W; at 24V power supply (0,04A)/ 1W
- Integrated cable 2x0,75 mm²
- Installation on surface



ID/EAN	Photo	Description	Unit pack		Multipack/carton			Multipack/pallet		
			qty.	kg	qty.	cm	kg	qty.	cm	kg
FT-012 B 5907556001411		White clearance LED lamp with a cable	10	0,58	320	59x39x29	18,56	6400	120x80x165	396,20
FT-012 B *QS075 5907556004368		White clearance LED lamp with a cable and QS075 quick connector	10	0,63	320	59x39x29	20,16	6400	120x80x165	428,20
FT-012 B *QS150 5907556006850		White clearance LED lamp with a cable and QS150 quick connector	10	0,63	320	59x39x29	20,16	6400	120x80x165	428,20
FT-012 Ż 5907556001459		Yellow clearance LED lamp with a cable	10	0,58	320	59x39x29	18,56	6400	120x80x165	396,20
FT-012 Ż *QS075 5907556004382		Yellow clearance LED lamp with a cable and QS075 quick connector	10	0,63	320	59x39x29	20,16	6400	120x80x165	428,20
FT-012 Ż *QS150 5907556006867		Yellow clearance LED lamp with a cable and QS150 quick connector	10	0,63	320	59x39x29	20,16	6400	120x80x165	428,20
FT-012 C 5907556001435		Red clearance LED lamp with a cable	10	0,58	320	59x39x29	18,56	6400	120x80x165	396,20
FT-012 C *QS075 5907556004375		Red clearance LED lamp with a cable and QS075 quick connector	10	0,63	320	59x39x29	20,16	6400	120x80x165	428,20
FT-012 C *QS150 5907556006874		Red clearance LED lamp with a cable and QS150 quick connector	10	0,63	320	59x39x29	20,16	6400	120x80x165	428,20

*Custom product - lead time will be determined and provided by phone or in writing.

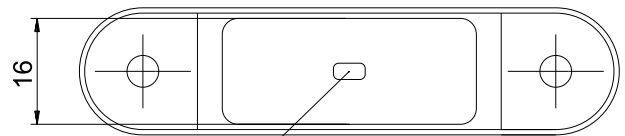
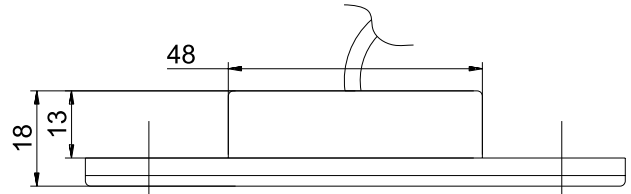
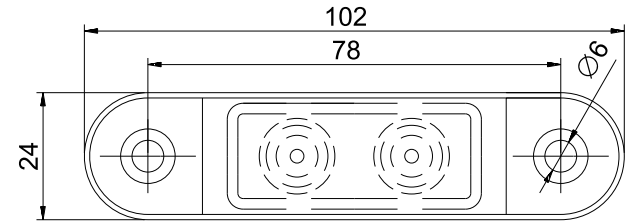
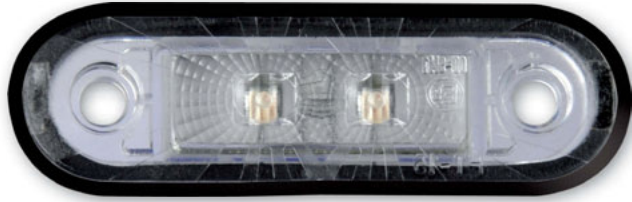


- Universal voltage - 12-30V
- Polarization change protection
- Electric parameters: at 12V power supply (0,04A)/ 0,5W; at 24V power supply (0,04A)/ 1W
- Integrated cable 2x0,75 mm²



ID/EAN	Photo	Description	Unit pack		Multipack/carton			Multipack/pallet		
			qty.	kg	qty.	cm	kg	qty.	cm	kg
FT-012 B+K 5907556001428			10	0,58	320	59x39x29	18,56	6400	120x80x160	396,20
FT-012 B+K *QS075 5907556004306			10	0,63	320	59x39x29	20,16	6400	120x80x160	428,20
FT-012 B+K QS150* 5907556004337			10	0,63	320	59x39x29	20,16	6400	120x80x160	428,20
FT-012 Ž+K 5907556001466			10	0,58	320	59x39x29	18,56	6400	120x80x160	396,20
FT-012 Ž+K *QS075 5907556004320			10	0,63	320	59x39x29	20,16	6400	120x80x160	428,20
FT-012 Ž+K QS150* 5907556004351			10	0,63	320	59x39x29	20,16	6400	120x80x160	428,20
FT-012 C+K 5907556001442			10	0,58	320	59x39x29	18,56	6400	120x80x160	396,20
FT-012 C+K *QS075 5907556004313			10	0,63	320	59x39x29	20,16	6400	120x80x160	428,20
FT-012 C+K QS150* 5907556004344			10	0,63	320	59x39x29	20,16	6400	120x80x160	428,20

*Custom product - lead time will be determined and provided by phone or in writing.



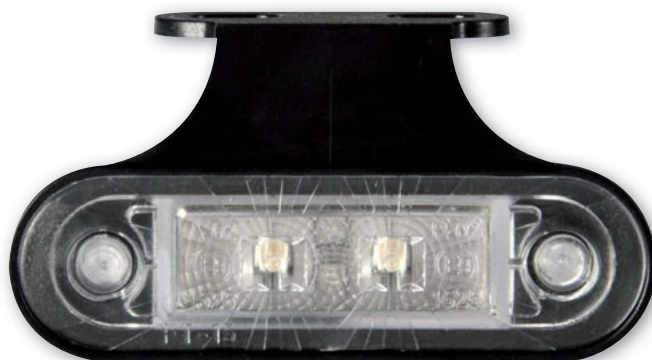
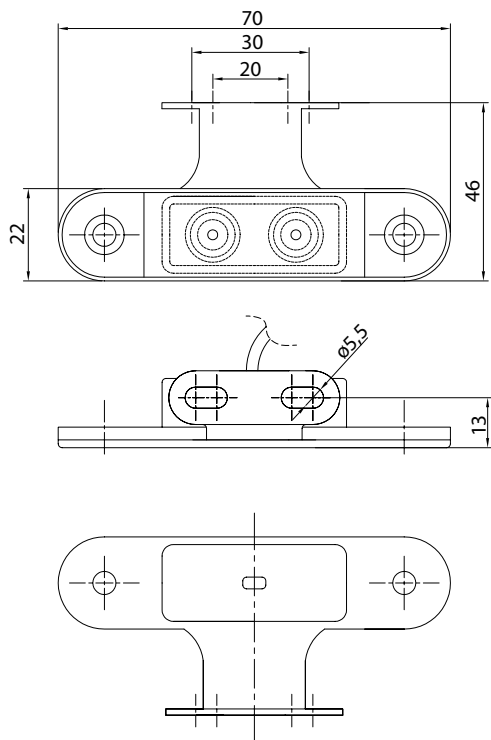
cable exit 2x0,75mm²

- Universal voltage - 12-30V
- Polarization change protection
- Electric parameters: at 12V power supply (0,04A)/ 0,5W; at 24V power supply (0,04A)/ 1W
- Integrated cable 2x0,75 mm²



ID/EAN	Photo	Description	Unit pack		Multipack/carton			Multipack/pallet		
			qty.	kg	qty.	cm	kg	qty.	cm	kg
FT-015 B 5907556001565		White clearance LED lamp with a cable	10	0,41	500	59x39x29	20,50	10000	120x80x165	435,00
FT-015 B *QS075 5907556004245		White clearance LED lamp with a cable and QS075 quick connector	10	0,46	500	59x39x29	23,00	10000	120x80x165	485,00
FT-015 B *QS150 5907556001572		White clearance LED lamp with a cable and QS150 quick connector	10	0,46	500	59x39x29	23,00	10000	120x80x165	485,00
FT-015 Ż 5907556001640		Yellow clearance LED lamp with a cable	10	0,41	500	59x39x29	20,50	10000	120x80x165	435,00
FT-015 Ż *QS075 5907556004283		Yellow clearance LED lamp with a cable and QS075 quick connector	10	0,46	500	59x39x29	23,00	10000	120x80x165	485,00
FT-015 Ż *QS150 5907556001657		Yellow clearance LED lamp with a cable and QS150 quick connector	10	0,46	500	59x39x29	23,00	10000	120x80x165	485,00
FT-015 C 5907556001602		Red clearance LED lamp with a cable	10	0,41	500	59x39x29	20,50	10000	120x80x165	435,00
FT-015 C *QS075 5907556004269		Red clearance LED lamp with a cable and QS075 quick connector	10	0,46	500	59x39x29	23,00	10000	120x80x165	485,00
FT-015 C *QS150 5907556001619		Red clearance LED lamp with a cable and QS150 quick connector	10	0,46	500	59x39x29	23,00	10000	120x80x165	485,00

*Custom product - lead time will be determined and provided by phone or in writing.

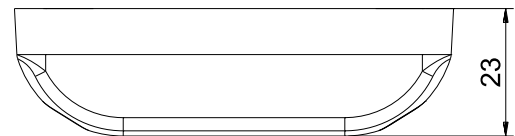
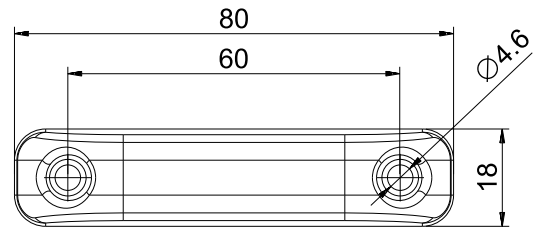


- Free polarization
- Universal voltage - 12-30V
- Operating temperature range: -40°C do +100°C
- Life of the light source (LED diode) ≈ 50.000 h of continuous work
- Integrated cable 2x0,75 mm²
- Electric parameters: at 12V power supply (0,04A)/ 0,5W; at 24V power supply (0,02A)/ 0,5W



ID/EAN	Photo	Description	Unit pack		Multipack/carton			Multipack/pallet		
			qty.	kg	qty.	cm	kg	qty.	cm	kg
FT-015 B+K 5907556001589		White clearance LED lamp with a cable	10	0,54	400	59x39x29	21,60	8000	120x80x165	457,00
FT-015 B+K *QS075 5907556004252		White clearance LED lamp with a cable and QS075 quick connector	10	0,59	400	59x39x29	23,60	8000	120x80x165	497,00
FT-015 B+K *QS150 5907556001596		White clearance LED lamp with a cable and QS150 quick connector	10	0,59	400	59x39x29	23,60	8000	120x80x165	497,00
FT-015 Ž+K 5907556001664		Yellow clearance LED lamp with a cable	10	0,54	400	59x39x29	21,60	8000	120x80x165	457,00
FT-015 Ž+K *QS075 5907556004290		Yellow clearance LED lamp with a cable and QS075 quick connector	10	0,59	400	59x39x29	23,60	8000	120x80x165	497,00
FT-015 Ž+K *QS150 5907556001671		Yellow clearance LED lamp with a cable and QS150 quick connector	10	0,59	400	59x39x29	23,60	8000	120x80x165	497,00
FT-015 C+K 5907556001626		Red clearance LED lamp with a cable	10	0,54	400	59x39x29	21,60	8000	120x80x165	457,00
FT-015 C+K *QS075 5907556004276		Red clearance LED lamp with a cable and QS075 quick connector	10	0,59	400	59x39x29	23,60	8000	120x80x165	497,00
FT-015 C+K *QS150 5907556001633		Red clearance LED lamp with a cable and QS150 quick connector	10	0,59	400	59x39x29	23,60	8000	120x80x165	497,00

*Custom product - lead time will be determined and provided by phone or in writing.

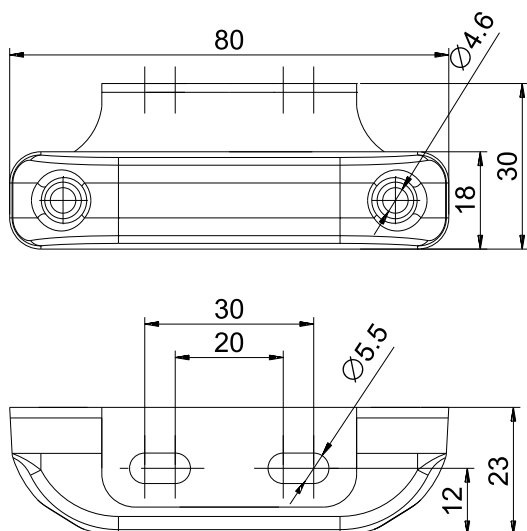


- Free polarization
- Universal voltage - 12-30V
- Operating temperature range: -40°C do +100°C
- Life of the light source (LED diode) ≈ 50.000 h of continuous work
- Integrated cable 2x0,75 mm²
- Electric parameters: at 12V power supply (0,04A)/ 0,5W; at 24V power supply (0,02A)/ 0,5W



ID/EAN	Photo	Description	Unit pack		Multipack/carton		kg	Multipack/pallet		kg
			qty.	kg	qty.	cm		qty.	cm	
FT-013 B 5907556001473		White clearance LED lamp with a cable	10	0,48	400	59x39x29	19,20	8000	120x80x165	409,00
FT-013 B *QS075 5907556004214		White clearance LED lamp with a cable and QS075 quick connector	10	0,53	400	59x39x29	21,20	8000	120x80x165	449,00
FT-013 B *QS150 5907556001480		White clearance LED lamp with a cable and QS150 quick connector	10	0,53	400	59x39x29	21,20	8000	120x80x165	449,00
FT-013 Ż 5907556001534		Yellow clearance LED lamp with a cable	10	0,48	400	59x39x29	19,20	8000	120x80x165	409,00
FT-013 Ż *QS075 5907556004238		Yellow clearance LED lamp with a cable and QS075 quick connector	10	0,53	400	59x39x29	21,20	8000	120x80x165	449,00
FT-013 Ż *QS150 5907556001541		Yellow clearance LED lamp with a cable and QS150 quick connector	10	0,53	400	59x39x29	21,20	8000	120x80x165	449,00
FT-013 C 5907556001503		Red clearance LED lamp with a cable	10	0,48	400	59x39x29	19,20	8000	120x80x165	409,00
FT-013 C *QS075 5907556004221		Red clearance LED lamp with a cable and QS075 quick connector	10	0,53	400	59x39x29	21,20	8000	120x80x165	449,00
FT-013 C *QS150 5907556001510		Red clearance LED lamp with a cable and QS150 quick connector	10	0,53	400	59x39x29	21,20	8000	120x80x165	449,00

*Custom product - lead time will be determined and provided by phone or in writing.

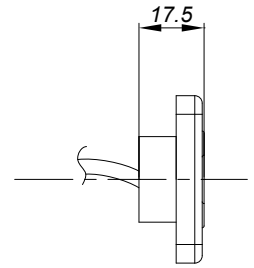
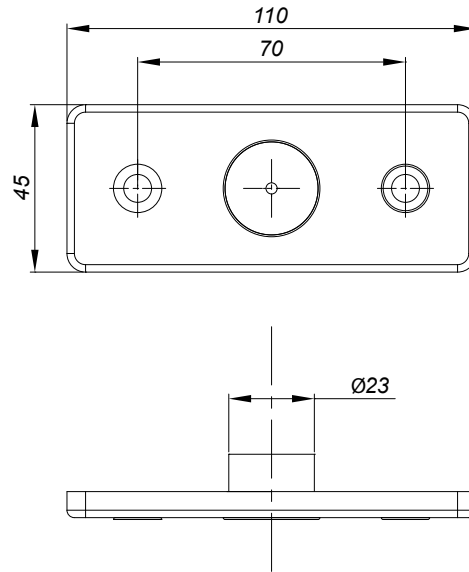


- Free polarization
- Universal voltage - 12-30V
- Operating temperature range: -40°C do +100°C
- Life of the light source (LED diode) ≈ 50.000 h of continuous work
- Integrated cable 2x0,75 mm²
- Electric parameters: at 12V power supply (0,04A)/ 0,5W; at 24V power supply (0,02A)/ 0,5W



ID/EAN	Photo	Description	Unit pack		Multipack/carton			Multipack/pallet		
			qty.	kg	qty.	cm	kg	qty.	cm	kg
FT-013 B+K 5907556001497			10	0,56	400	59x39x29	22,40	7200	120x80x165	428,20
FT-013 B+K *QS075 5907556004153			10	0,61	400	59x39x29	24,40	7200	120x80x165	464,20
FT-013 B+K *QS150 5907556004184			10	0,61	400	59x39x29	24,40	7200	120x80x165	464,20
FT-013 Ž+K 5907556001558			10	0,56	400	59x39x29	22,40	7200	120x80x165	428,20
FT-013 Ž+K *QS075 5907556004177			10	0,61	400	59x39x29	24,40	7200	120x80x165	464,20
FT-013 Ž+K *QS150 5907556004207			10	0,61	400	59x39x29	24,40	7200	120x80x165	464,20
FT-013 C+K 5907556001527			10	0,56	400	59x39x29	22,40	7200	120x80x165	428,20
FT-013 C+K *QS075 5907556004160			10	0,61	400	59x39x29	24,40	7200	120x80x165	464,20
FT-013 C+K *QS150 5907556004191			10	0,61	400	59x39x29	24,40	7200	120x80x165	464,20

*Custom product - lead time will be determined and provided by phone or in writing.

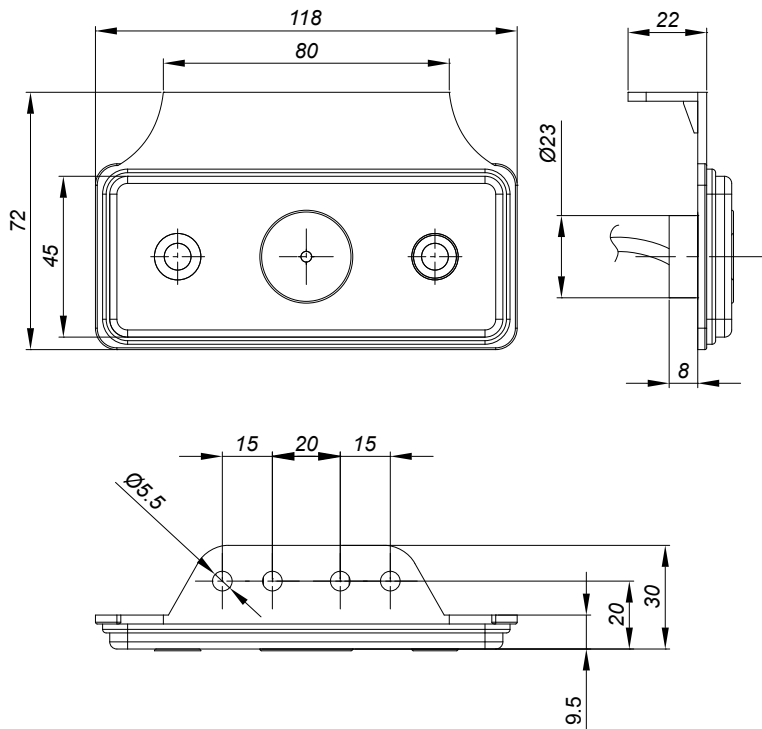


- Free polarization
- Universal voltage - 12-30V
- Operating temperature range: -40°C do +100°C
- Life of the light source (LED diode) ≈ 50.000 h of continuous work
- Integrated cable 2x0,75 mm²
- Electric parameters: for white lamps at 12V power supply (0,04A)/ 0,5W; at 24V power supply (0,04A)/ 1W; for yellow and red lamps at 12V power supply (0,04A)/ 0,25W; at 24V power supply (0,02A)/ 0,5W

LED CAT SM

ID/EAN	Photo	Description	Unit pack		Multipack/carton			Multipack/pallet		
			qty.	kg	qty.	cm	kg	qty.	cm	kg
MD-013 B LED 5907556002944			10	0,73	350	59x39x29	25,55	7000	120x80x165	536,00
MD-013 B LED *QS075 5907556004627			10	0,83	300	59x39x29	24,90	6000	120x80x165	523,00
MD-013 B LED *QS150 5907556002975			10	0,83	300	59x39x29	24,90	6000	120x80x165	523,00
MD-013 Ž LED 5907556003248			10	0,73	350	59x39x29	25,55	7000	120x80x165	536,00
MD-013 Ž LED *QS075 5907556004740			10	0,83	300	59x39x29	24,90	6000	120x80x165	523,00
MD-013 Ž LED *QS150 5907556003279			10	0,83	300	59x39x29	24,90	6000	120x80x165	523,00
MD-013 C LED 5907556003095			10	0,73	350	59x39x29	25,55	7000	120x80x165	536,00
MD-013 C LED *QS075 5907556004689			10	0,83	300	59x39x29	24,90	6000	120x80x165	523,00
MD-013 C LED *QS150 5907556003125			10	0,83	300	59x39x29	24,90	6000	120x80x165	523,00
KAT MD-013 LED 5907556007031		Angle handle for MD-013 lamps	10	0,20						

*Custom product - lead time will be determined and provided by phone or in writing.

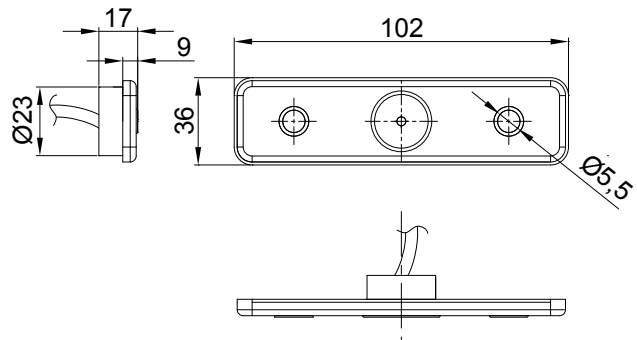


- Free polarization
- Universal voltage - 12-30V
- Operating temperature range: -40°C do +100°C
- Life of the light source (LED diode) ≈ 50.000 h of continuous work
- Integrated cable 2x0,75 mm²
- Electric parameters: for white lamps at 12V power supply (0,04A)/ 0,5W; at 24V power supply (0,04A)/ 1W; for yellow and red lamps at 12V power supply (0,04A)/ 0,25W; at 24V power supply (0,02A)/ 0,5W

LED CAT SM

ID/EAN	Photo	Description	Unit pack		Multipack/carton			Multipack/pallet		
			qty.	kg	qty.	cm	kg	qty.	cm	kg
MD-013 B+K LED 5907556003019		White clearance LED lamp with an angle holder and a cable	10	0,75	200	59x39x29	15,00	3200	120x80x165	265,00
MD-013 B+K LED *QS075 5907556004658		White clearance LED lamp with an angle holder, a cable and QS075 quick connector	10	0,85	200	59x39x29	17,00	3200	120x80x165	297,00
MD-013 B+K LED *QS150 5907556003040		White clearance LED lamp with an angle holder, a cable and QS150 quick connector	10	0,85	200	59x39x29	17,00	3200	120x80x165	297,00
MD-013 Ž+K LED 5907556003316		Yellow clearance LED lamp with an angle holder and a cable	10	0,75	200	59x39x29	15,00	3200	120x80x165	265,00
MD-013 Ž+K LED *QS075 5907556004771		Yellow clearance LED lamp with an angle holder, a cable and QS075 quick connector	10	0,85	200	59x39x29	17,00	3200	120x80x165	297,00
MD-013 Ž+K LED *QS150 5907556003347		Yellow clearance LED lamp with an angle holder, a cable and QS150 quick connector	10	0,85	200	59x39x29	17,00	3200	120x80x165	297,00
MD-013 C+K LED 5907556003163		Red clearance LED lamp with a cable	10	0,75	200	59x39x29	15,00	3200	120x80x165	265,00
MD-013 C+K LED *QS075 5907556004719		Red clearance LED lamp with an angle holder, a cable and QS075 quick connector	10	0,85	200	59x39x29	17,00	3200	120x80x165	297,00
MD-013 C+K LED *QS150 5907556003194		Red clearance LED lamp with an angle holder, a cable and QS150 quick connector	10	0,85	200	59x39x29	17,00	3200	120x80x165	297,00

*Custom product - lead time will be determined and provided by phone or in writing.

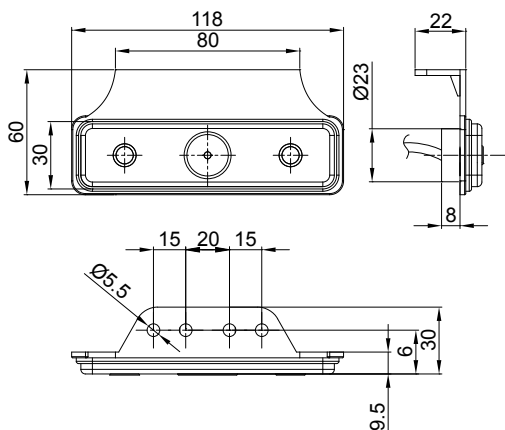


- Free polarization
- Universal voltage - 12-30V
- Operating temperature range: -40°C do +100°C
- Life of the light source (LED diode) ≈ 50.000 h of continuous work
- Integrated cable 2x0,75 mm²
- Electric parameters: for white lamps at 12V power supply (0,04A)/ 0,5W; at 24V power supply (0,04A)/ 1W; for yellow and red lamps at 12V power supply (0,04A)/ 0,25W; at 24V power supply (0,02A)/ 0,5W



ID/EAN	Photo	Description	Unit pack		Multipack/carton			Multipack/pallet		
			qty.	kg	qty.	cm	kg	qty.	cm	kg
FT-004 B LED 5907556000476			10	0,53	400	59x39x29	21,20	8000	120x80x165	449,00
FT-004 B LED *QS075 5907556003972			10	0,58	400	59x39x29	23,20	8000	120x80x165	489,00
FT-004 B LED *QS150 5907556000506			10	0,58	400	59x39x29	23,20	8000	120x80x165	489,00
FT-004 Ž LED 5907556000773			10	0,53	400	59x39x29	21,20	8000	120x80x165	449,00
FT-004 Ž LED *QS075 5907556004092			10	0,58	400	59x39x29	23,20	8000	120x80x165	489,00
FT-004 Ž LED *QS150 5907556000803			10	0,58	400	59x39x29	23,20	8000	120x80x165	489,00
FT-004 C LED 5907556000629			10	0,53	400	59x39x29	21,20	8000	120x80x165	449,00
FT-004 C LED *QS075 5907556004030			10	0,58	400	59x39x29	23,20	8000	120x80x165	489,00
FT-004 C LED *QS150 5907556000650			10	0,58	400	59x39x29	23,20	8000	120x80x165	489,00
KAT FT-004 5907556007048		Angle handle for FT-004 lamps	10	0,20						

*Custom product - lead time will be determined and provided by phone or in writing.

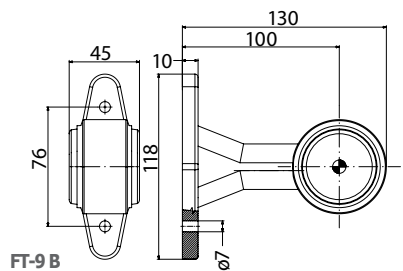
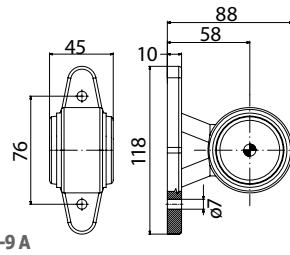
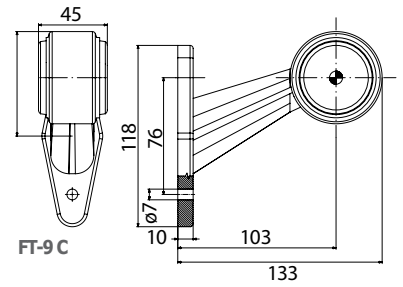
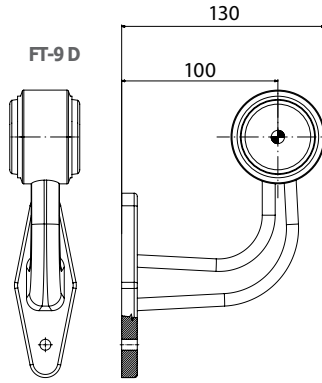


- Free polarization
- Universal voltage - 12-30V
- Operating temperature range: -40°C do +100°C
- Life of the light source (LED diode) ≈ 50.000 h of continuous work
- Integrated cable 2x0,75 mm²
- Electric parameters: for white lamps at 12V power supply (0,04A)/ 0,5W; at 24V power supply (0,04A)/ 1W; for yellow and red lamps at 12V power supply (0,04A)/ 0,25W; at 24V power supply (0,02A)/ 0,5W



ID/EAN	Photo	Description	Unit pack		Multipack/carton			Multipack/pallet		
			qty.	kg	qty.	cm	kg	qty.	cm	kg
FT-004 B+K LED 5907556000544			10	0,57	300	59x39x29	17,10	6000	120x80x165	367,00
FT-004 B+K LED *QS075 5907556004009			10	0,62	300	59x39x29	18,60	6000	120x80x165	397,00
FT-004 B+K LED *QS150 5907556000575			10	0,62	300	59x39x29	18,60	6000	120x80x165	397,00
FT-004 Ž+K LED 5907556000841			10	0,57	300	59x39x29	17,10	6000	120x80x165	367,00
FT-004 Ž+K LED *QS075 5907556004122			10	0,62	300	59x39x29	18,60	6000	120x80x165	397,00
FT-004 Ž+K LED *QS150 5907556000872			10	0,62	300	59x39x29	18,60	6000	120x80x165	397,00
FT-004 C+K LED 5907556000698			10	0,57	300	59x39x29	17,10	6000	120x80x165	367,00
FT-004 C+K LED *QS075 5907556004061			10	0,62	300	59x39x29	18,60	6000	120x80x165	397,00
FT-004 C+K LED *QS150 5907556000728			10	0,62	300	59x39x29	18,60	6000	120x80x165	397,00

*Custom product - lead time will be determined and provided by phone or in writing.

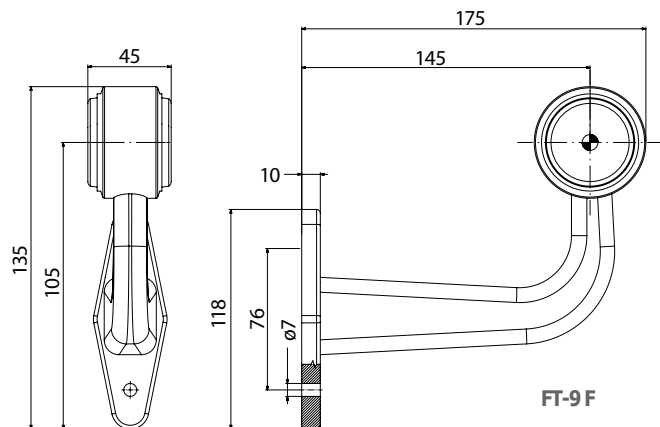


- Free polarization
- Universal voltage - 12-30V
- Operating temperature range: -40°C do +100°C
- Life of the light source (LED diode) ≈ 50.000 h of continuous work
- Integrated cable 2x0,75 mm²
- Electric parameters: at 12V power supply (0,04A)/ 0,5W;
at 24V power supply (0,02A)/ 0,5W

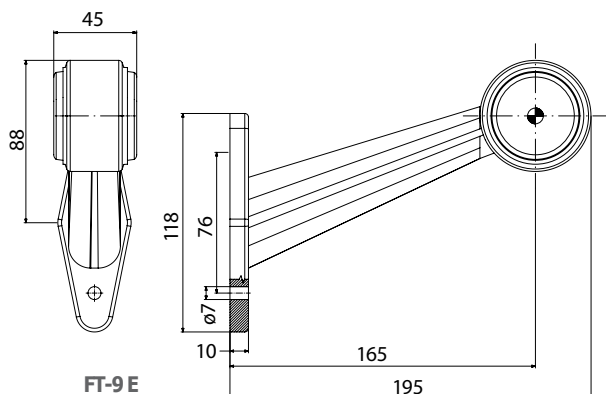


ID/EAN	Photo	Description	Unit pack		Multipack/carton			Multipack/pallet		
			qty.	kg	qty.	cm	kg	qty.	cm	kg
FT-009 A 5907556006034		Clearance marker LED lamp on a short straight rubber bracket with a cable	2	0,25	200	59x39x29	25,00	4000	120x80x165	525,00
FT-009 A *QS075 5907556006096		Clearance marker LED lamp on a short straight rubber bracket with a cable and QS075 quick connector	2	0,28	200	59x39x29	28,00	4000	120x80x165	585,00
FT-009 A *QS150 5907556006157		Clearance marker LED lamp on a short straight rubber bracket with a cable and QS150 quick connector	2	0,28	200	59x39x29	28,00	4000	120x80x165	585,00
FT-009 B 5907556006041		Clearance marker LED lamp on a long straight rubber bracket with a cable	2	0,35	160	59x39x29	28,00	3200	120x80x165	585,00
FT-009 B *QS075 5907556006102		Clearance marker LED lamp on a long straight rubber bracket with a cable and QS075 quick connector	2	0,38	160	59x39x29	30,40	3200	120x80x165	633,00
FT-009 B *QS150 5907556006164		Clearance marker LED lamp on a long straight rubber bracket with a cable and QS150 quick connector	2	0,38	160	59x39x29	30,40	3200	120x80x165	633,00
FT-009 C 5907556006058		Clearance marker LED lamp on a short slanting rubber bracket with a cable	2	0,30	160	59x39x29	24,00	3200	120x80x165	505,00
FT-009 C *QS075 5907556006119		Clearance marker LED lamp on a short slanting rubber bracket with a cable and QS075 quick connector	2	0,33	160	59x39x29	26,40	3200	120x80x165	553,00
FT-009 C *QS150 5907556006171		Clearance marker LED lamp on a short slanting rubber bracket with a cable and QS150 quick connector	2	0,33	160	59x39x29	26,40	3200	120x80x165	553,00
FT-009 D 5907556006065		Clearance marker LED lamp on a short L-shaped rubber bracket with a cable	2	0,35	140	59x39x29	24,50	2800	120x80x165	515,00
FT-009 D *QS075 5907556006126		Clearance marker LED lamp on a short L-shaped rubber bracket with a cable and QS075 quick connector	2	0,38	140	59x39x29	26,60	2800	120x80x165	557,00
FT-009 D *QS150 5907556006188		Clearance marker LED lamp on a short L-shaped rubber bracket with a cable and QS150 quick connector	2	0,38	140	59x39x29	26,60	2800	120x80x165	557,00

*Custom product - lead time will be determined and provided by phone or in writing.



FT-9 F



FT-9 E

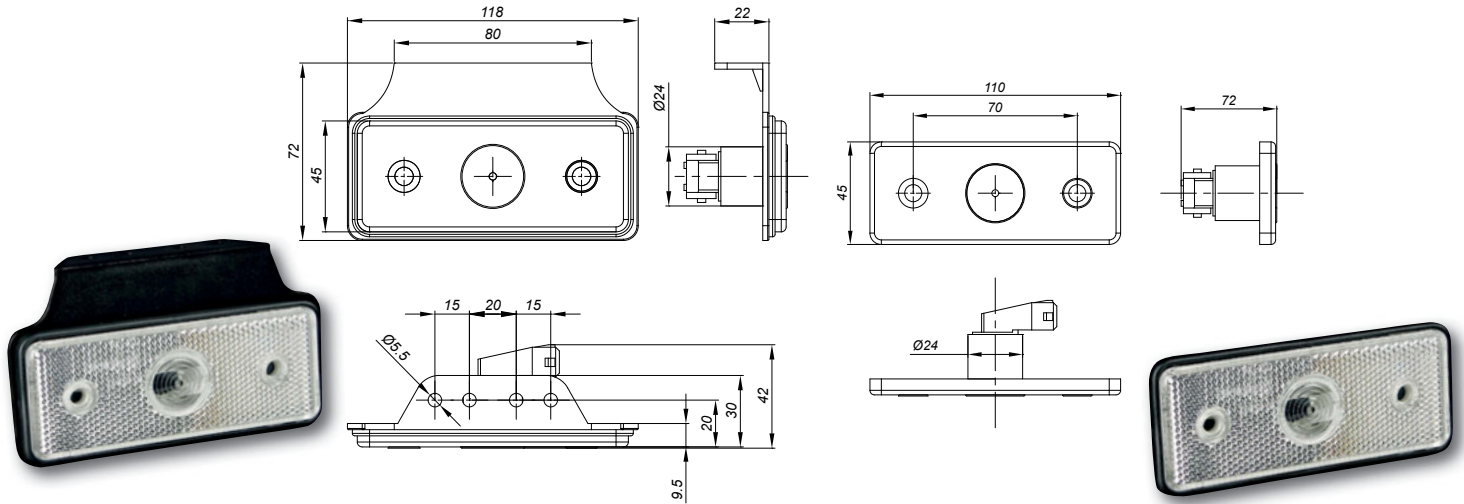


- Free polarization
- Universal voltage - 12-30V
- Operating temperature range: -40°C do +100°C
- Life of the light source (LED diode) ≈ 50.000 h of continuous work
- Integrated cable 2x0,75 mm²
- Electric parameters: at 12V power supply (0,04A)/ 0,5W; at 24V power supply (0,02A)/ 0,5W



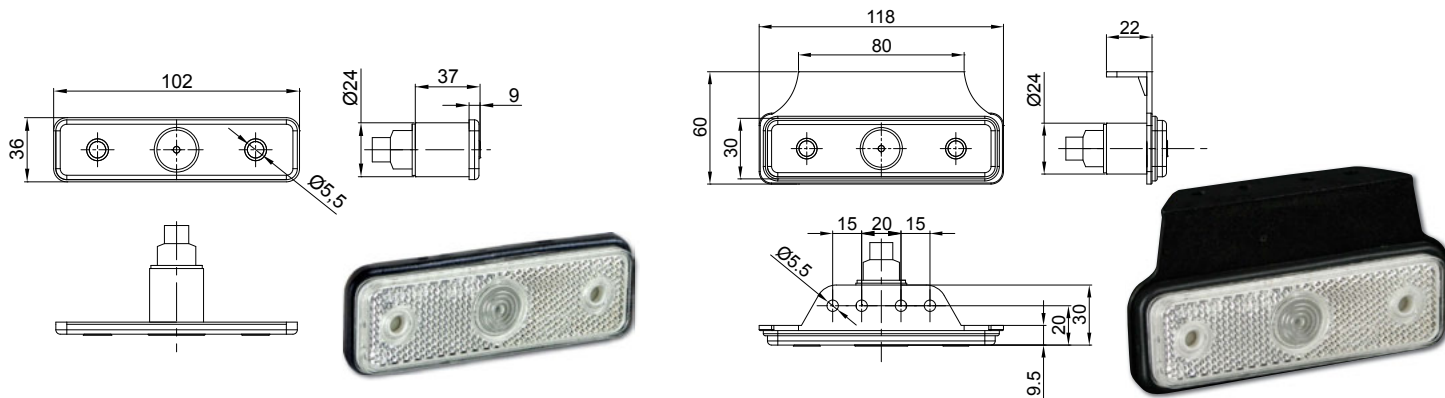
ID/EAN	Photo	Description	Unit pack		Multipack/carton			Multipack/pallet		
			qty.	kg	qty.	cm	kg	qty.	cm	kg
FT-009 E 5907556006072		Clearance marker LED lamp on a long slanting rubber bracket with a cable	2	0,40	100	59x39x29	20,00	2000	120x80x165	425,00
FT-009 E *QS075 5907556006133		Clearance marker LED lamp on a long slanting rubber bracket with a cable and QS075 quick connector	2	0,43	100	59x39x29	21,50	2000	120x80x165	455,00
FT-009 E *QS150 5907556006195		Clearance marker LED lamp on a long slanting rubber bracket with a cable and QS150 quick connector	2	0,43	100	59x39x29	21,50	2000	120x80x165	455,00
FT-009 F 5907556006089		Clearance marker LED lamp on a long L-shaped rubber bracket with a cable	2	0,40	100	59x39x29	20,00	2000	120x80x165	425,00
FT-009 F *QS075 5907556006140		Clearance marker LED lamp on a long L-shaped rubber bracket with a cable and QS075 quick connector	2	0,43	100	59x39x29	21,50	2000	120x80x165	455,00
FT-009 F *QS150 5907556006201		Clearance marker LED lamp on a long L-shaped rubber bracket with a cable and QS150 quick connector	2	0,43	100	59x39x29	21,50	2000	120x80x165	455,00

*Custom product - lead time will be determined and provided by phone or in writing.



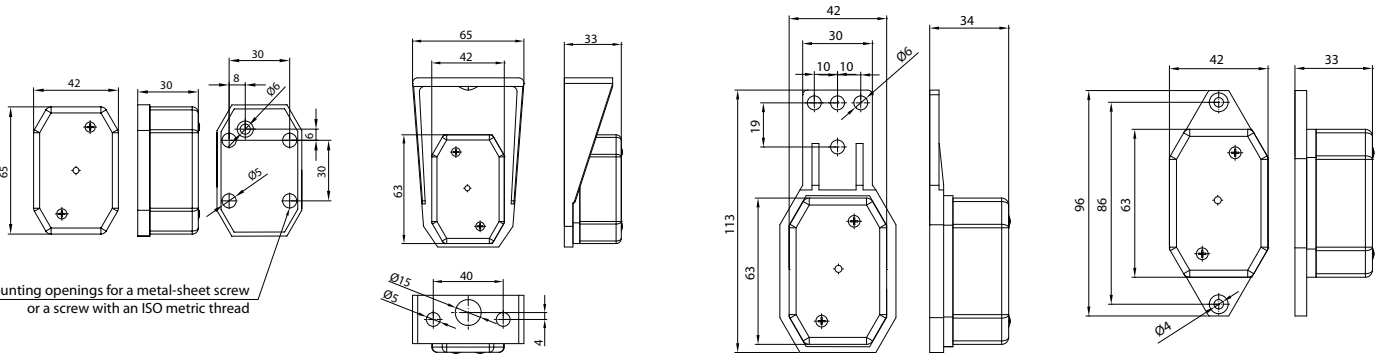
CAT SM

ID/EAN	Photo	Description	Unit pack		Multipack/carton			Multipack/pallet		
			qty.	kg	qty.	cm	kg	qty.	cm	kg
MD-013 B 5907556002937		White clearance lamp with a bulb holder	10	0,59	300	59x39x29	17,70	6000	120x80x165	379,00
MD-013/1 B 5907556003385		White clearance lamp with a bulb holder and a cable	10	0,64	300	59x39x29	19,20	6100	120x80x165	415,40
MD-013 Ž 5907556003231		Yellow clearance lamp with a bulb holder	10	0,59	300	59x39x29	17,70	6000	120x80x165	379,00
MD-013/1 Ž 5907556003408		Yellow clearance lamp with a bulb holder and a cable	10	0,64	300	59x39x29	19,20	6100	120x80x165	415,40
MD-013 C 5907556003088		Red clearance lamp with a bulb holder	10	0,59	300	59x39x29	17,70	6000	120x80x165	379,00
MD-013/1 C 5907556003392		Red clearance lamp with a bulb holder and a cable	10	0,64	300	59x39x29	19,20	6100	120x80x165	415,40
MD-013 B+K 5907556003002		White clearance lamp with a bulb holder and an angle holder	10	0,62	200	59x39x29	12,40	4000	120x80x165	273,00
MD-013 B+K/1 5907556003071		White clearance lamp with a bulb holder, an angle holder and a cable	10	0,68	200	59x39x29	13,60	4000	120x80x165	297,00
MD-013 Ž+K 5907556003309		Yellow clearance lamp with a bulb holder and an angle holder	10	0,62	200	59x39x29	12,40	4000	120x80x165	273,00
MD-013 Ž+K/1 5907556003378		Yellow clearance lamp with a bulb holder, an angle holder and a cable	10	0,68	200	59x39x29	13,60	4000	120x80x165	297,00
MD-013 C+K 5907556003156		Red clearance lamp with a bulb holder and an angle holder	10	0,62	200	59x39x29	12,40	4000	120x80x165	273,00
MD-013 C+K/1 5907556003224		Red clearance lamp with a bulb holder, an angle holder and a cable	10	0,68	200	59x39x29	13,60	4000	120x80x165	297,00



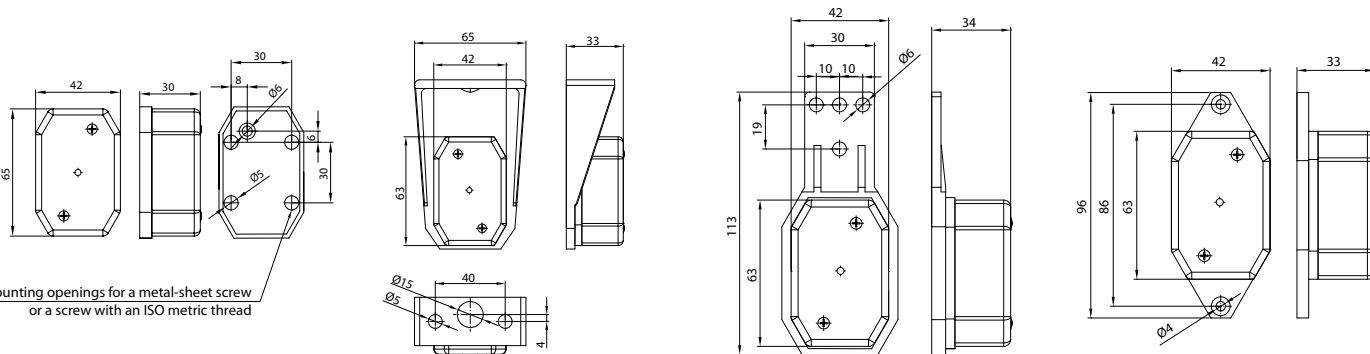
CAT SM

ID/EAN	Photo	Description	Unit pack		Multipack/carton			Multipack/pallet		
			qty.	kg	qty.	cm	kg	qty.	cm	kg
FT-004 B 5907556000469		White clearance lamp with a bulb holder	10	0,37	400	59x39x29	14,80	8000	120x80x165	321,00
FT-004/1 B 5907556000919		White clearance lamp with a bulb holder and a cable	10	0,41	400	59x39x29	16,40	8000	120x80x165	353,00
FT-004 Ž 5907556000766		Yellow clearance lamp with a bulb holder	10	0,37	400	59x39x29	14,80	8000	120x80x165	321,00
FT-004/1 Ž 5907556000933		Yellow clearance lamp with a bulb holder and a cable	10	0,41	400	59x39x29	16,40	8000	120x80x165	353,00
FT-004 C 5907556000612		Red clearance lamp with a bulb holder	10	0,37	400	59x39x29	14,80	8000	120x80x165	321,00
FT-004/1 C 5907556000926		Red clearance lamp with a bulb holder and a cable	10	0,41	400	59x39x29	16,40	8000	120x80x165	353,00
FT-004 B+K 5907556000537		White clearance lamp with a bulb holder and an angle holder	10	0,43	280	59x39x29	12,04	5600	120x80x165	265,80
FT-004 B+K /1 5907556000605		White clearance lamp with a bulb holder, an angle holder and a cable	10	0,47	280	59x39x29	13,16	5600	120x80x165	288,20
FT-004 Ž+K 5907556000834		Yellow clearance lamp with a bulb holder and an angle holder	10	0,43	280	59x39x29	12,04	5600	120x80x165	265,80
FT-004 Ž+K/1 5907556000902		Yellow clearance lamp with a bulb holder, an angle holder and a cable	10	0,47	280	59x39x29	13,16	5600	120x80x165	288,20
FT-004 C+K 5907556000681		Red clearance lamp with a bulb holder and an angle holder	10	0,43	280	59x39x29	12,04	5600	120x80x165	265,80
FT-004 C+K/1 5907556000759		Red clearance lamp with a bulb holder, an angle holder and a cable	10	0,47	280	59x39x29	13,16	5600	120x80x165	288,20
OPR FT-004/2 5907556003606		Airtight bulb holder for FT-4 and FT-4+K lamps, 2x0,75mm² cable	10	0,46	400	59x39x29	18,40	8000	120x80x165	393,00



ID/EAN	Photo	Description	Unit pack		Multipack/carton			Multipack/pallet		
			qty.	kg	qty.	cm	kg	qty.	cm	kg
FT-001 B LED 5907556005716		White clearance LED lamp with a reflector and a cable	10	0,75	300	59x39x29	22,50	6000	120x80x165	475,00
FT-001 B LED *QS 075 5907556005716		White clearance LED lamp with a reflector, a cable and QS075 quick connector	10	0,80	300	59x39x29	24,00	6000	120x80x165	505,00
FT-001 B LED *QS 150 5907556005716		White clearance LED lamp with a reflector, a cable and QS150 quick connector	10	0,80	300	59x39x29	24,00	6000	120x80x165	505,00
FT-001 B I LED 5907556005747		White clearance LED lamp with a reflector, an angle holder and a cable	10	0,95	150	59x39x29	14,25	3000	120x80x165	310,00
FT-001 B I LED *QS 075 5907556005839		White clearance LED lamp with a reflector, an angle holder, a cable and QS075 quick connector	10	1,00	150	59x39x29	15,00	3000	120x80x165	325,00
FT-001 B I LED *QS 150 5907556005921		White clearance LED lamp with a reflector, an angle holder, a cable and QS150 quick connector	10	1,00	150	59x39x29	15,00	3000	120x80x165	325,00
FT-001 B II LED 5907556005778		White clearance LED lamp with a reflector, a flat holder and a cable	10	0,80	300	59x39x29	24,00	6000	120x80x165	505,00
FT-001 B II LED *QS075 5907556005860		White clearance LED lamp with a reflector, a flat holder, a cable and QS075 quick connector	10	0,85	300	59x39x29	25,50	6000	120x80x165	535,00
FT-001 B II LED *QS 150 5907556005952		White clearance LED lamp with a reflector, a flat holder, a cable and QS150 quick connector	10	0,85	300	59x39x29	25,50	6000	120x80x165	535,00
FT-001 B III LED 5907556005808		White clearance LED lamp with a reflector, short holder and a cable	10	0,80	300	59x39x29	24,00	6000	120x80x165	505,00
FT-001 B III LED *QS075 5907556005891		White clearance LED lamp with a reflector, a short holder, a cable and QS075 quick connector	10	0,85	300	59x39x29	25,50	6000	120x80x165	535,00
FT-001 B III LED *QS150 5907556005983		White clearance LED lamp with a reflector, a short holder, a cable and QS150 quick connector	10	0,85	300	59x39x29	25,50	6000	120x80x165	535,00

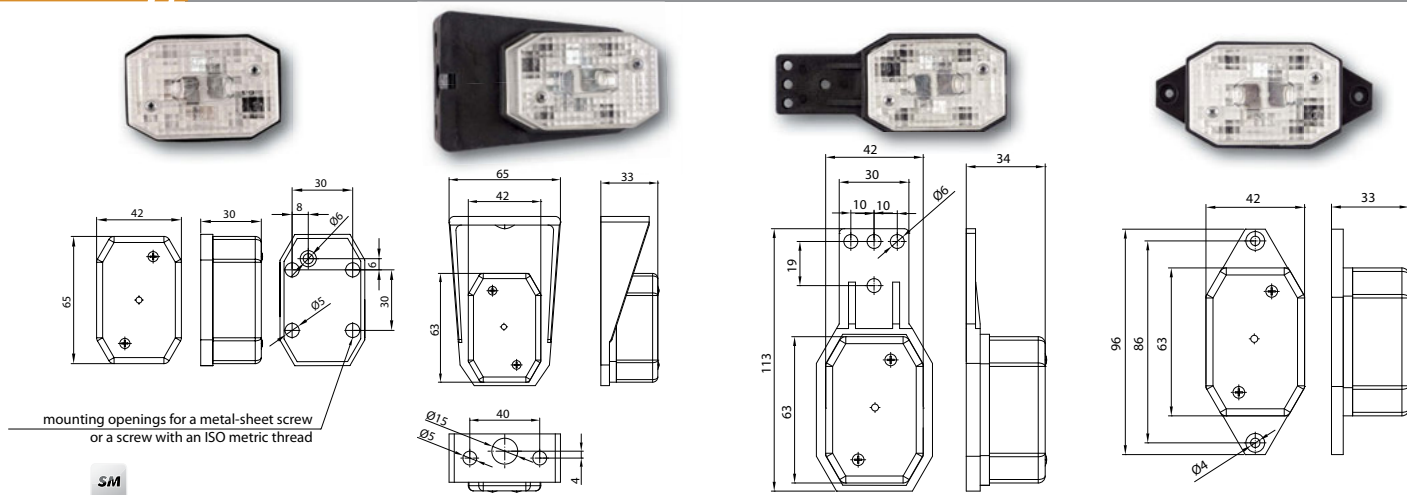
*Custom product - lead time will be determined and provided by phone or in writing.



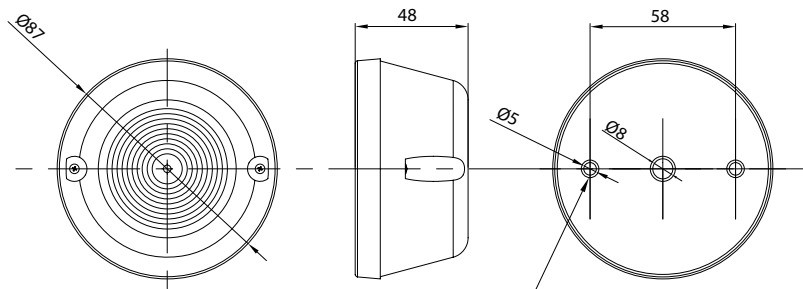
LED SM

ID/EAN	Photo	Description	Unit pack		Multipack/carton			Multipack/pallet		
			qty.	kg	qty.	cm	kg	qty.	cm	kg
FT-001 C LED 5907556005723		Red clearance LED lamp with a reflector and a cable	10	0,75	300	59x39x29	22,50	6000	120x80x165	475,00
FT-001 C LED *QS075 5907556005723		Red clearance LED lamp with a reflector, a cable and QS075 quick connector	10	0,80	300	59x39x29	24,00	6000	120x80x165	505,00
FT-001 C LED *QS150 5907556005723		Red clearance LED lamp with a reflector, a cable and QS150 quick connector	10	0,80	300	59x39x29	24,00	6000	120x80x165	505,00
FT-001 C I LED 5907556005754		Red clearance LED lamp with a reflector, an angle holder and a cable	10	0,95	150	59x39x29	14,25	3000	120x80x165	310,00
FT-001 C I LED *QS 075 5907556005846		Red clearance LED lamp with a reflector, an angle holder, a cable and QS075 quick connector	10	1,00	150	59x39x29	15,00	3000	120x80x165	325,00
FT-001 C I LED *QS 150 5907556005938		Red clearance LED lamp with a reflector, an angle holder, a cable and QS150 quick connector	10	1,00	150	59x39x29	15,00	3000	120x80x165	325,00
FT-001 C II LED 5907556005785		Red clearance LED lamp with a reflector, a flat holder and a cable	10	0,80	300	59x39x29	24,00	6000	120x80x165	505,00
FT-001 C II LED *QS075 5907556005877		Red clearance LED lamp with a reflector, a flat holder, a cable and QS075 quick connector	10	0,85	300	59x39x29	25,50	6000	120x80x165	535,00
FT-001 C II LED *QS 150 5907556005969		Red clearance LED lamp with a reflector, a flat holder, a cable and QS150 quick connector	10	0,85	300	59x39x29	25,50	6000	120x80x165	535,00
FT-001 C III LED 5907556005815		Red clearance LED lamp with a reflector, short holder and a cable	10	0,80	300	59x39x29	24,00	6000	120x80x165	505,00
FT-001 C III LED *QS075 5907556005907		Red clearance LED lamp with a reflector, a short holder, a cable and QS075 quick connector	10	0,85	300	59x39x29	25,50	6000	120x80x165	535,00
FT-001 C III LED *QS150 5907556005990		Red clearance LED lamp with a reflector, a short holder, a cable and QS150 quick connector	10	0,85	300	59x39x29	25,50	6000	120x80x165	535,00

*Custom product - lead time will be determined and provided by phone or in writing.



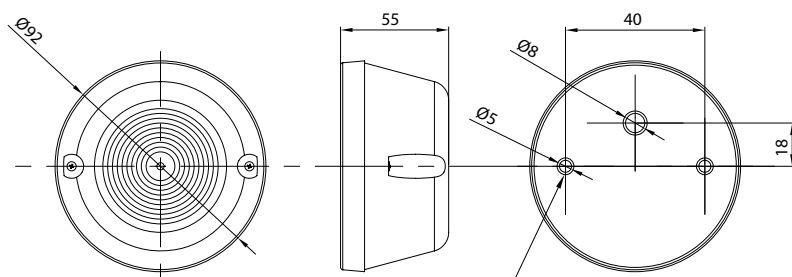
ID/EAN	Photo	Description	Unit pack		Multipack/carton			Multipack/pallet		
			qty.	kg	qty.	cm	kg	qty.	cm	kg
FT-005 B 5907556000940		White clearance lamp	10	0,45	300	59x39x29	13,50	6000	120x80x165	295,00
FT-005 Ż 5907556001046		Yellow clearance lamp	10	0,45	300	59x39x29	13,50	6000	120x80x165	295,00
FT-005 C 5907556000995		Red clearance lamp	10	0,45	300	59x39x29	13,50	6000	120x80x165	295,00
FT-005 B I 5907556000957		White clearance lamp with an angle holder	10	0,72	200	59x39x29	14,40	4000	120x80x165	313,00
FT-005 Ż I 5907556001053		Yellow clearance lamp with an angle holder	10	0,72	200	59x39x29	14,40	4000	120x80x165	313,00
FT-005 C I 5907556001008		Red clearance lamp with an angle holder	10	0,72	200	59x39x29	14,40	4000	120x80x165	313,00
FT-005 B II 5907556000964		White clearance lamp with a flat holder	10	0,58	360	59x39x29	20,88	7200	120x80x165	442,60
FT-005 Ż II 5907556001060		Yellow clearance lamp with a flat holder	10	0,58	360	59x39x29	20,88	7200	120x80x165	442,60
FT-005 C II 5907556001015		Red clearance lamp with a flat holder	10	0,58	360	59x39x29	20,88	7200	120x80x165	442,60
FT-005 B III 5907556000971		White clearance lamp with a short holder	10	0,51	360	59x39x29	18,36	7200	120x80x165	392,20
FT-005 Ż III 5907556001077		Yellow clearance lamp with a short holder	10	0,51	360	59x39x29	18,36	7200	120x80x165	392,20
FT-005 C III 5907556001022		Red clearance lamp with a short holder	10	0,51	360	59x39x29	18,36	7200	120x80x165	392,20
FT-005 KB/Ż/C 5907556000988 5907556001084 5907556001039		Lampshade	10							



mounting openings for a metal-sheet screw or a screw with an ISO metric thread

SM

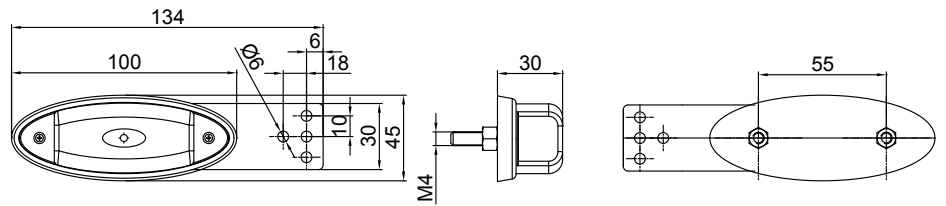
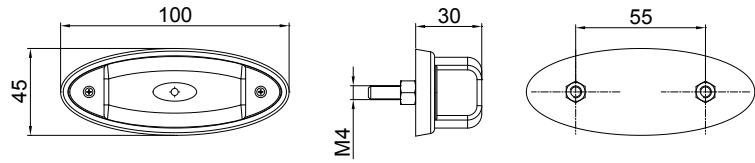
ID/EAN	Photo	Description	Unit pack		Multipack/carton			Multipack/pallet		
			qty.	kg	qty.	cm	kg	qty.	cm	kg
FT-003 B 5907556000346		White clearance lamp (C5W bulb)	10	0,60	120	59x39x29	7,20	2400	120x80x165	169,00
FT-003 Ž 5907556000384		Yellow clearance lamp (C5W bulb)	10	0,60	120	59x39x29	7,20	2400	120x80x165	169,00
FT-003 C 5907556000360		Red clearance lamp (C5W bulb)	10	0,60	120	59x39x29	7,20	2400	120x80x165	169,00
FT-03 KB/Ž/C 5907556000353 5907556000391 5907556000377		Lampshade	10							



mounting openings for a metal-sheet screw or a screw with an ISO metric thread

SM

ID/EAN	Photo	Description	Unit pack		Multipack/carton			Multipack/pallet		
			qty.	kg	qty.	cm	kg	qty.	cm	kg
FT-003/1 B 5907556000407		White clearance lamp (R5W bulb)	10	0,80	120	59x39x29	9,60	2400	120x80x165	217,00
FT-003/1 Ž 5907556000445		Yellow clearance lamp (R5W bulb)	10	0,80	120	59x39x29	9,60	2400	120x80x165	217,00
FT-003/1 C 5907556000421		Red clearance lamp (R5W bulb)	10	0,80	120	59x39x29	9,60	2400	120x80x165	217,00
FT-003 KB/Ž/C 5907556000414 5907556000452 5907556000438		Lampshade	10							



SM

ID/EAN	Photo	Description	Unit pack		Multipack/carton			Multipack/pallet		
			qty.	kg	qty.	cm	kg	qty.	cm	kg
FT-010-1 5907556001268		Black and white clearance lamp	10	0,44	280	59x39x29	12,32	5600	120x80x165	271,40
FT-010-2 5907556001282		Red and white clearance lamp	10	0,44	280	59x39x29	12,32	5600	120x80x165	271,40
FT-010-3 5907556001305		Black and red clearance lamp	10	0,44	280	59x39x29	12,32	5600	120x80x165	271,40
FT-010/1-1 5907556001237		Black and white clearance lamp with a flat holder	10	0,48	280	59x39x29	13,44	5600	120x80x165	293,80
FT-010/1-2 5907556001244		Red and white clearance lamp with a flat holder	10	0,48	280	59x39x29	13,44	5600	120x80x165	293,80
FT-010/1-3 5907556001251		Black and red clearance lamp with a flat holder	10	0,48	280	59x39x29	13,44	5600	120x80x165	293,80
FT-010-1 K 5907556001275		Lampshade (black and white)	10	0,14						
FT-010-2 K 5907556001299		Lampshade (white and red)	10	0,14						
FT-010-3 K 5907556001312		Lampshade (red and black)	10	0,14						



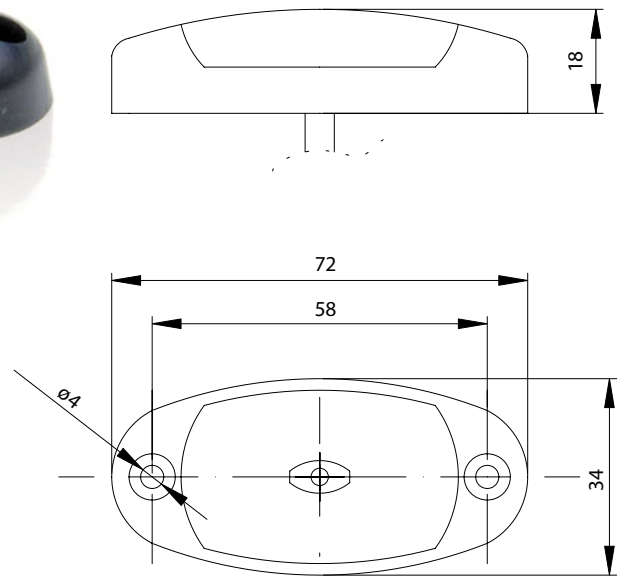
SM

ID/EAN	Photo	Description	Unit pack		Multipack/carton			Multipack/pallet		
			qty.	kg	qty.	cm	kg	qty.	cm	kg
FT-011 B 5907556001329		White clearance lamp	10	0,44	280	59x39x29	12,32	5600	120x80x165	271,40
FT-011 Ž 5907556001367		Yellow clearance lamp	10	0,44	280	59x39x29	12,32	5600	120x80x165	271,40
FT-011 C 5907556001343		Red clearance lamp	10	0,44	280	59x39x29	12,32	5600	120x80x165	271,40
FT-011 B/1 5907556001398		White clearance lamp with a flat holder	10	0,46	280	59x39x29	12,88	5600	120x80x165	282,60
FT-011 Ž/1 5907556001381		Yellow clearance lamp with a flat holder	10	0,46	280	59x39x29	12,88	5600	120x80x165	282,60
FT-011 C/1 5907556001404		Red clearance lamp with a flat holder	10	0,46	280	59x39x29	12,88	5600	120x80x165	282,60
FT-011 KB/Ž/C 5907556001336 5907556001374 5907556001350		Lampshade	10							



SM

ID/EAN	Photo	Description	Unit pack		Multipack/carton			Multipack/pallet		
			qty.	kg	qty.	cm	kg	qty.	cm	kg
FT-006 B 5907556001091		White clearance lamp	10	0,71	200	59x39x29	14,20	4000	120x80x165	309,00
FT-006 Ž 5907556001138		Yellow clearance lamp	10	0,71	200	59x39x29	14,20	4000	120x80x165	309,00
FT-006 C 5907556001114		Red clearance lamp	10	0,71	200	59x39x29	14,20	4000	120x80x165	309,00
FT-006 KB/Ž/C 5907556001107 5907556001145 5907556001121		Lampshade	10							



- Free polarization
- Universal voltage - 12-30V
- Operating temperature range: -40°C do +100°C
- Life of the light source (LED diode) ≈ 50.000 h of continuous work
- Integrated cable 2x0,75 mm²
- Electric parameters: at 12V power supply (0,04A)/ 0,5W; at 24V power supply (0,02A)/ 0,5W

SM

ID/EAN	Photo	Description	Unit pack		Multipack/carton			Multipack/pallet		
			qty.	kg	qty.	cm	kg	qty.	cm	kg
FT-025 B 5907556004801		White clearance LED lamp with a cable	10	0,35	500	59x39x29	17,50	10000	120x80x165	375,00
FT-025 B *QS075 5907556004832		White clearance LED lamp with a cable and QS075 quick connector	10	0,40	500	59x39x29	20,00	10000	120x80x165	425,00
FT-025 B *QS150 5907556004863		White clearance LED lamp with a cable and QS150 quick connector	10	0,40	500	59x39x29	20,00	10000	120x80x165	425,00
FT-025 Z 5907556004825		Yellow clearance LED lamp with a cable	10	0,35	500	59x39x29	17,50	10000	120x80x165	375,00
FT-025 Z *QS075 5907556004856		Yellow clearance LED lamp with a cable and QS075 quick connector	10	0,40	500	59x39x29	20,00	10000	120x80x165	425,00
FT-025 Z *QS150 5907556004887		Yellow clearance LED lamp with a cable and QS150 quick connector	10	0,40	500	59x39x29	20,00	10000	120x80x165	425,00
FT-025 C 5907556004818		Red clearance LED lamp with a cable	10	0,35	500	59x39x29	17,50	10000	120x80x165	375,00
FT-025 C *QS075 5907556004849		Red clearance LED lamp with a cable and QS075 quick connector	10	0,40	500	59x39x29	20,00	10000	120x80x165	425,00
FT-025 C *QS150 5907556004870		Red clearance LED lamp with a cable and QS150 quick connector	10	0,40	500	59x39x29	20,00	10000	120x80x165	425,00

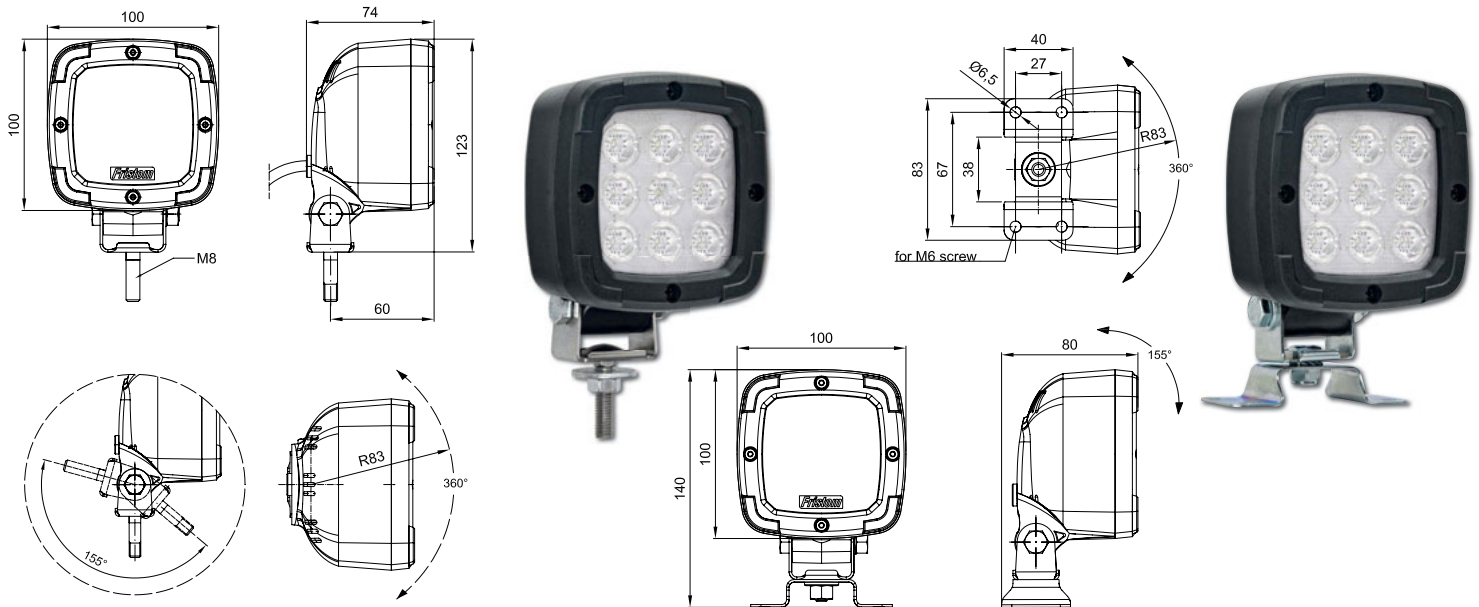
*Custom product - lead time will be determined and provided by phone or in writing.



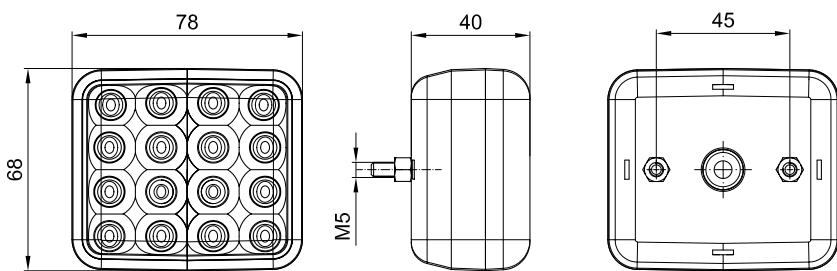
ID/EAN	Photo	Description	Unit pack		Multipack/carton			Multipack/pallet		
			qty.	kg	qty.	cm	kg	qty.	cm	kg
FT-029 B 5907556005181		White clearance LED lamp with a cable	1	0,09	200	59x39x29	18,00	4000	120x80x165	385,00
FT-029 B *QS075 5907556005242		White clearance LED lamp with a cable and QS075 quick connector	1	0,10	200	59x39x29	20,00	4000	120x80x165	425,00
FT-029 B *QS150 5907556005211		White clearance LED lamp with a cable and QS150 quick connector	1	0,10	200	59x39x29	20,00	4000	120x80x165	425,00
FT-029 Z 5907556005204		Yellow clearance LED lamp with a cable	1	0,09	200	59x39x29	18,00	4000	120x80x165	385,00
FT-029 Z *QS075 5907556005266		Yellow clearance LED lamp with a cable and QS075 quick connector	1	0,10	200	59x39x29	20,00	4000	120x80x165	425,00
FT-029 Z *QS150 5907556005235		Yellow clearance LED lamp with a cable and QS150 quick connector	1	0,10	200	59x39x29	20,00	4000	120x80x165	425,00
FT-029 C 5907556005198		Red clearance LED lamp with a cable	1	0,09	200	59x39x29	18,00	4000	120x80x165	385,00
FT-029 C *QS075 5907556005259		Red clearance LED lamp with a cable and QS075 quick connector	1	0,10	200	59x39x29	20,00	4000	120x80x165	425,00
FT-029 C *QS150 5907556005228		Red clearance LED lamp with a cable and QS150 quick connector	1	0,10	200	59x39x29	20,00	4000	120x80x165	425,00

*Custom product - lead time will be determined and provided by phone or in writing.

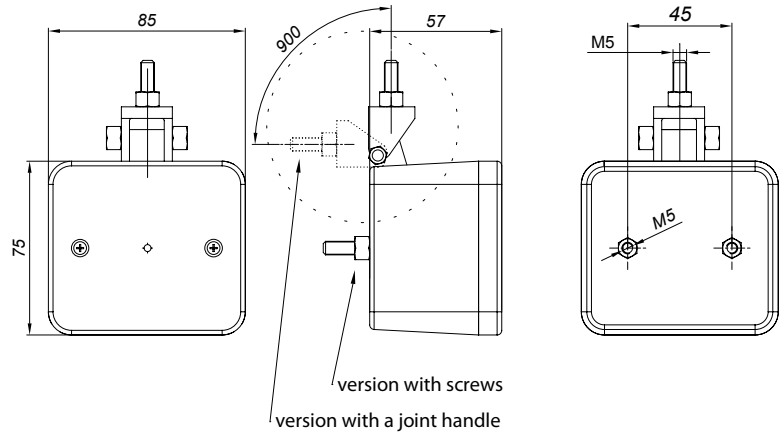
REVERSING LAMPS



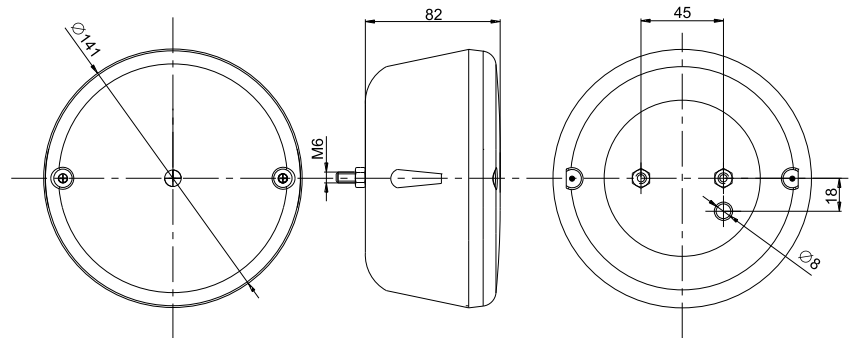
ID/EAN	Photo	Description	Unit pack		Multipack/carton			Multipack/pallet		
			qty.	kg	qty.	cm	kg	qty.	cm	kg
FT-036 REV 5907556006317		Universal reversing LED lamp, 9 diodes with a joint handle (black housing)	1	0,55	50	59x39x29	27,50	1000	120x80x165	575,00
Uchwyt OMEGA 5907556006010		«OMEGA» mounting set of acid-resisting metal sheet	10	0,45						



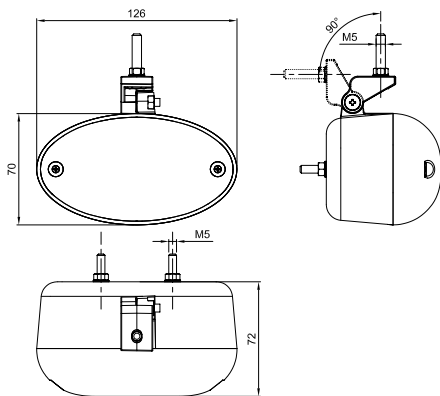
ID/EAN	Photo	Description	Unit pack		Multipack/carton			Multipack/pallet		
			qty.	kg	qty.	cm	kg	qty.	cm	kg
FT-041 5907556006355		Reversing LED lamp with a 2x0,75mm ² cable	1	0,13	120	59x39x29	15,60	2400	120x80x165	337,00
FT-041 QS075 5907556006362		Reversing LED lamp with a 2x0,75mm ² cable and QS075 quick connector	1	0,16	120	59x39x29	19,20	2400	120x80x165	409,00



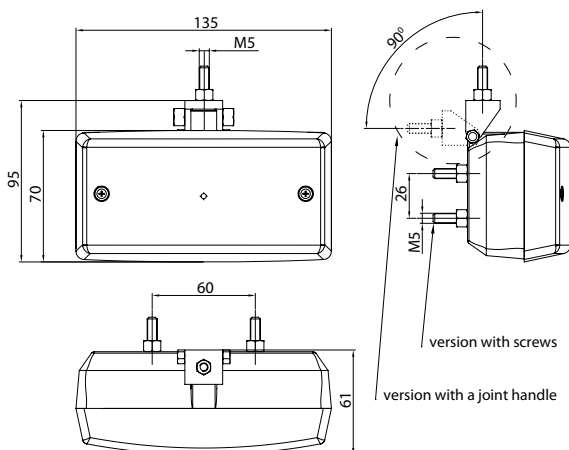
ID/EAN	Photo	Description	Unit pack		Multipack/carton			Multipack/pallet		
			qty.	kg	qty.	cm	kg	qty.	cm	kg
MD-040 S		Reversing lamp mounted with 2 M5 screws	1	0,11	150	59x39x29	16,50	3000	120x80x165	355,00
MD-040 P		Reversing lamp mounted with a joint handle	1	0,13	150	59x39x29	19,50	3000	120x80x165	415,00
MD-040 K		Lampshade	5							



ID/EAN	Photo	Description	Unit pack		Multipack/carton			Multipack/pallet		
			qty.	kg	qty.	cm	kg	qty.	cm	kg
FT-097 5907556002562		Reversing round lamp mounted with 2 M5 screws	1	0,25	32	59x39x29	8,00	640	120x80x165	185,00
FT-097 K 5907556002579		Lampshade	1	0,10	100	59x39x29	10,00	2000	120x80x165	225,00

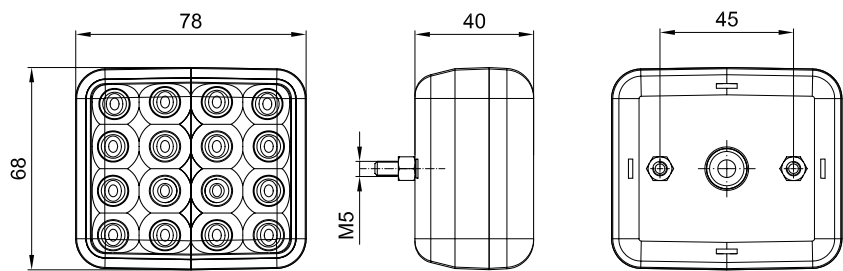


ID/EAN	Photo	Description	Unit pack		Multipack/carton			Multipack/pallet		
			qty.	kg	qty.	cm	kg	qty.	cm	kg
FT-056 S 5907556002289		Reversing lamp mounted with 2 M5 screws	1	0,12	84	59x39x29	10,08	1680	120x80x165	226,60
FT-056 P 5907556002272		Reversing lamp mounted with a joint	1	0,13	100	59x39x29	13,00	2000	120x80x165	285,00
FT-056 K 5907556002265		Lampshade	10							



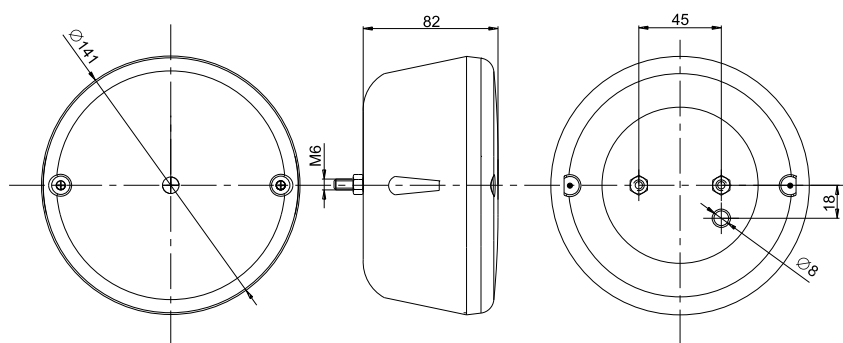
ID/EAN	Photo	Description	Unit pack		Multipack/carton			Multipack/pallet		
			qty.	kg	qty.	cm	kg	qty.	cm	kg
DOB-051 P BP		Reversing lamp mounted with a joint (without a cable)	1	0,18	80	59x39x29	14,40	1600	120x80x165	313,00
DOB-051 P ZP		Reversing lamp mounted with a joint (with a cable)	1	0,18	80	59x39x29	14,40	1600	120x80x165	313,00
DOB-051 S BP		Reversing lamp mounted with 2 M5 screws (without a cable)	1	0,16	80	59x39x29	12,80	1200	120x80x165	217,00
DOB-051 S ZP		Reversing lamp mounted with 2 M5 screws (with a cable)	1	0,16	80	59x39x29	12,80	1200	120x80x165	217,00
DOB-051 K		Lampshade	5							

FOG LAMPS

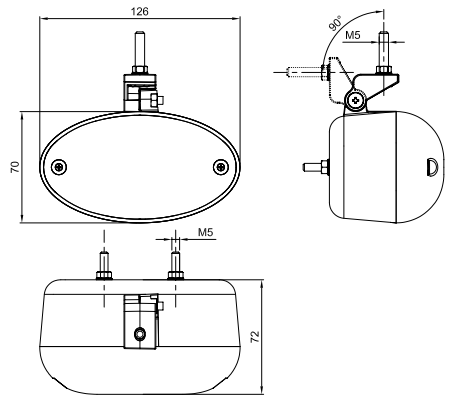


ID/EAN	Photo	Description	Unit pack		Multipack/carton			Multipack/pallet		
			qty.	kg	qty.	cm	kg	qty.	cm	kg
FT-040 5907556006331		Fog LED lamp with a 2x0,75mm ² cable	1	0,13	120	59x39x29	15,60	2400	120x80x165	337,00
FT-040 *QS075 5907556006348		Fog LED lamp with a 2x0,75mm ² cable and QS075 quick connector	1	0,16	120	59x39x29	19,20	2400	120x80x165	409,00

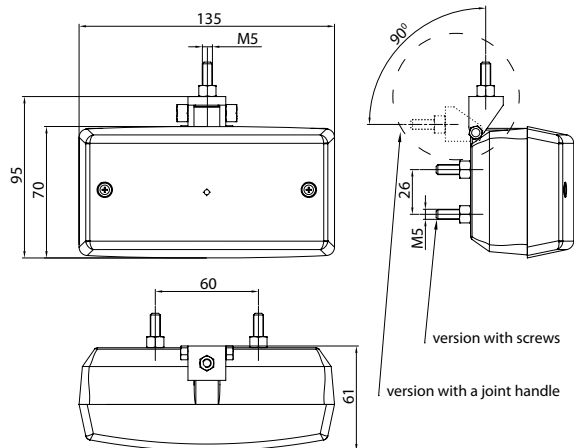
*Custom product - lead time will be determined and provided by phone or in writing.



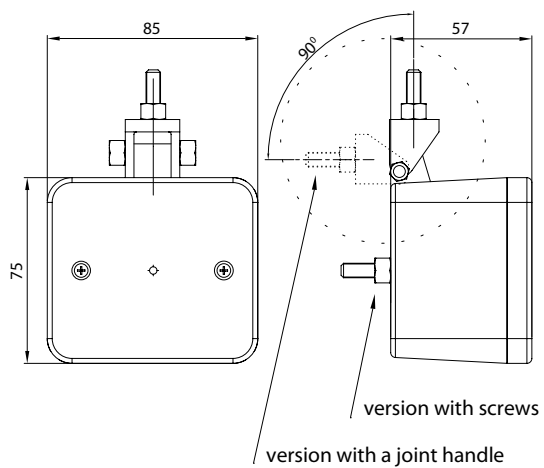
ID/EAN	Photo	Description	Unit pack		Multipack/carton			Multipack/pallet		
			qty.	kg	qty.	cm	kg	qty.	cm	kg
FT-096 5907556002548		Fog round lamp mounted with 2 screws	1	0,25	32	59x39x29	8,0	640	120x80x165	185,00
FT-096 K 5907556002555		Lampshade	1	0,10	100	59x39x29	10,00	2000	120x80x165	225,00



ID/EAN	Photo	Description	Unit pack		Multipack/carton			Multipack/pallet		
			qty.	kg	qty.	cm	kg	qty.	cm	kg
FT-055 S 5907556002258		Fog lamp mounted with 2 M5 screws	1	0,12	84	59x39x29	10,08	1680	120x80x165	226,60
FT-055 P 5907556002241		Fog lamp mounted with a joint	1	0,13	100	59x39x29	13,00	2000	120x80x165	285,00
FT-055 K 5907556002234		Lampshade	10							

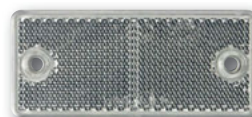
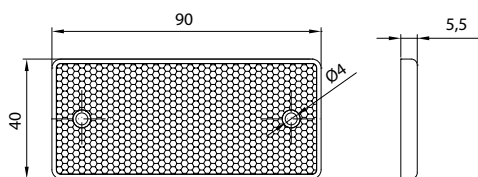


ID/EAN	Photo	Description	Unit pack		Multipack/carton			Multipack/pallet		
			qty.	kg	qty.	cm	kg	qty.	cm	kg
DOB-050 P BP		Fog lamp mounted with a joint (without a cable)	1	0,18	80	59x39x29	14,40	1600	120x80x165	313,00
DOB-050 P ZB		Fog lamp mounted with a joint (with a cable)	1	0,18	80	59x39x29	14,40	1600	120x80x165	313,00
DOB-050 S BP		Fog lamp mounted with 2 M5 screws (without a cable)	1	0,16	80	59x39x29	12,80	1200	120x80x165	217,00
DOB-050 S ZP		Fog lamp mounted with 2 M5 screws (with a cable)	1	0,16	80	59x39x29	12,80	1200	120x80x165	217,00
DOB-050 K		Lampshade	5							



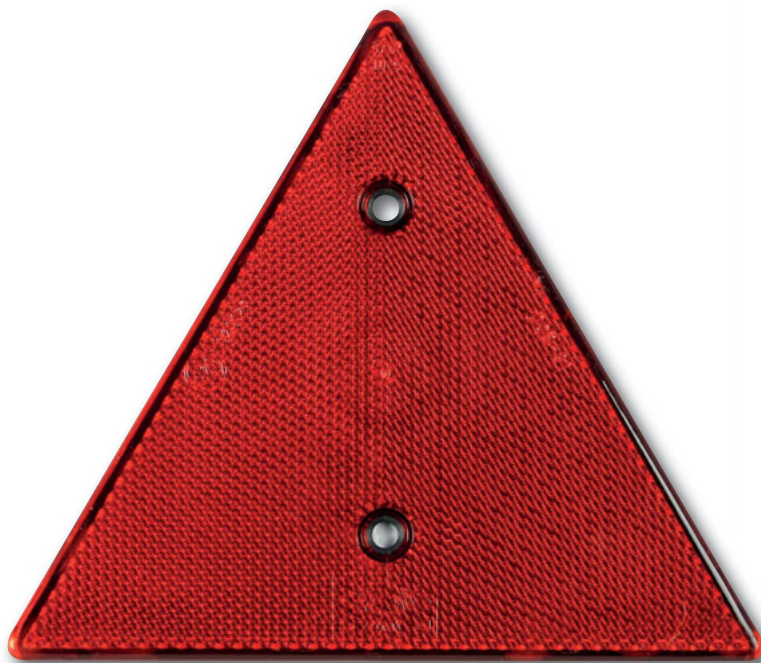
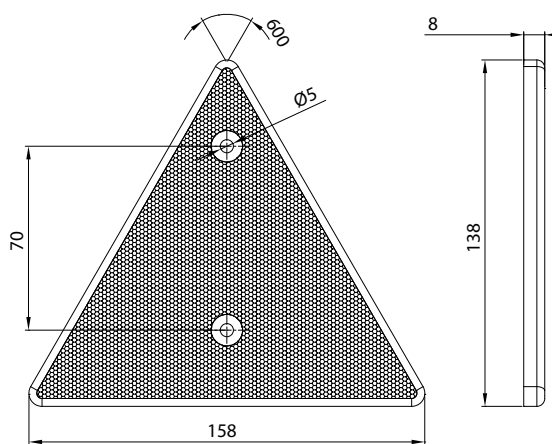
ID/EAN	Photo	Description	Unit pack		Multipack/carton			Multipack/pallet		
			qty.	kg	qty.	cm	kg	qty.	cm	kg
MD-035 S		Fog lamp mounted with 2 M5 screws	1	0,11	150	59x39x29	16,50	3000	120x80x165	355,00
MD-035 P		Fog lamp mounted with a joint	1	0,11	150	59x39x29	16,50	3000	120x80x165	355,00
MD-035 K		Lampshade	5							

REFLECTORS



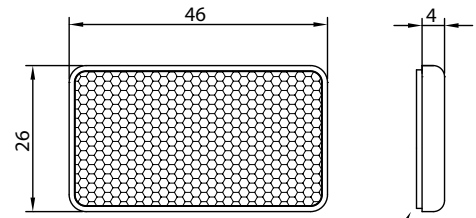
CAT

ID/EAN	Photo	Description	Unit pack		Multipack/carton			Multipack/pallet		
			qty.	kg	qty.	cm	kg	qty.	cm	kg
DOB-34 B		White reflector with two mounting holes	10	0,20	2100	59x39x29	42,00	42000	120x80x165	865,00
DOB-34 Ž		Yellow reflector with 2 mounting holes	10	0,20	2100	59x39x29	42,00	42000	120x80x165	865,00
DOB-34 C		Red reflector with 2 mounting holes	10	0,20	2100	59x39x29	42,00	42000	120x80x165	865,00



CAT

ID/EAN	Photo	Description	Unit pack		Multipack/carton			Multipack/pallet		
			qty.	kg	qty.	cm	kg	qty.	cm	kg
DOB-031		Triangular reflector with 2 mounting holes	2	0,12	450	59x39x29	27,00	9000	120x80x165	565,00

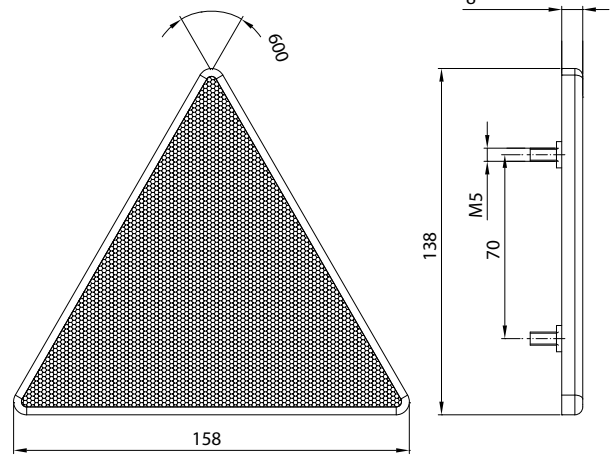
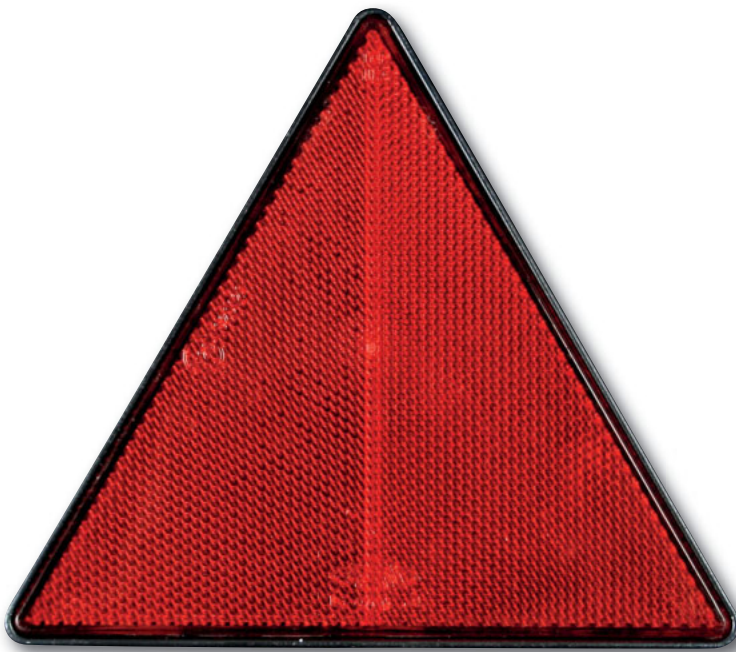


taśma samoprzylepna


CAT

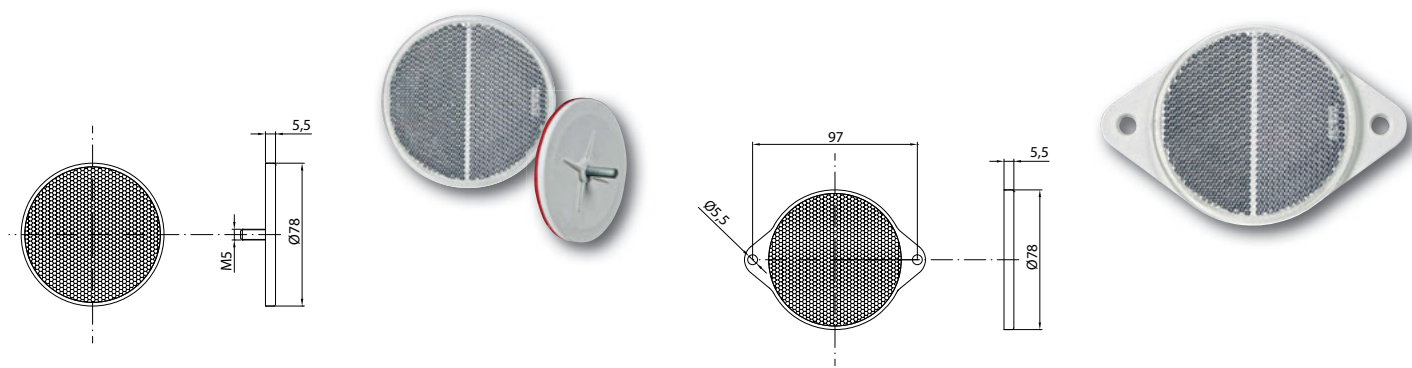
ID/EAN	Photo	Description	Unit pack		Multipack/carton			Multipack/pallet		
			qty.	kg	qty.	cm	kg	qty.	cm	kg
FT-46x26 B		White reflector mounted with adhesive tape	20	0,10						
FT-46x26 Ż		Yellow reflector mounted with adhesive tape	20	0,10						
FT-46x26 C		Red reflector mounted with adhesive tape	20	0,10						

Reflector



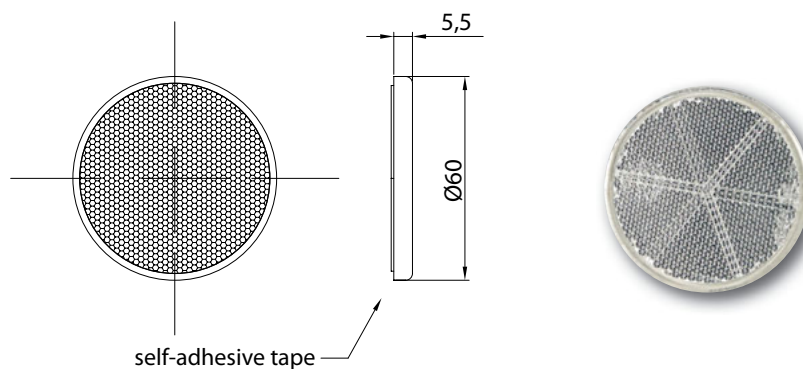
CAT

ID/EAN	Photo	Description	Unit pack		Multipack/carton			Multipack/pallet		
			qty.	kg	qty.	cm	kg	qty.	cm	kg
DOB-030A		Triangular reflector with screws	2	0,16	150	59x39x29	12,00	3000	120x80x165	265,00



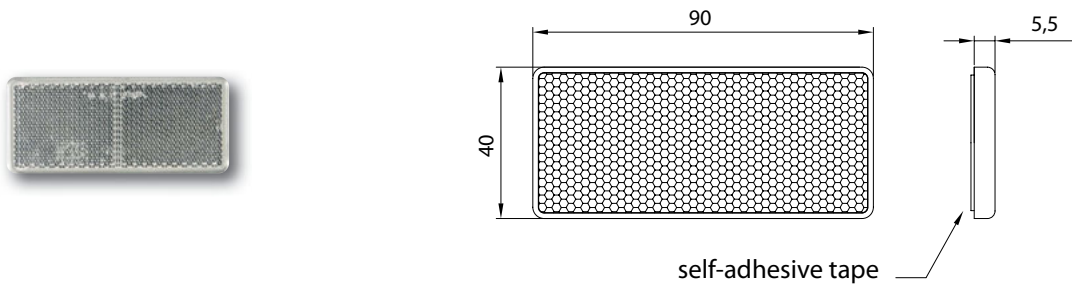
CAT

ID/EAN	Photo	Description	Unit pack		Multipack/carton			Multipack/pallet		
			qty.	kg	qty.	cm	kg	qty.	cm	kg
DOB-039A B		White reflector on a backing with a screw	10	0,07						
DOB-039A Ž		Yellow reflector on a backing with a screw	10	0,07						
DOB-039A C		Red reflector on a backing with a screw	10	0,07						
DOB-039 B		White reflector mounted with 2 screws	10	0,37						
DOB-039 Ž		Yellow reflector mounted with 2 screws	10	0,37						
DOB-039 C		Red reflector mounted with 2 screws	10	0,37						



CAT

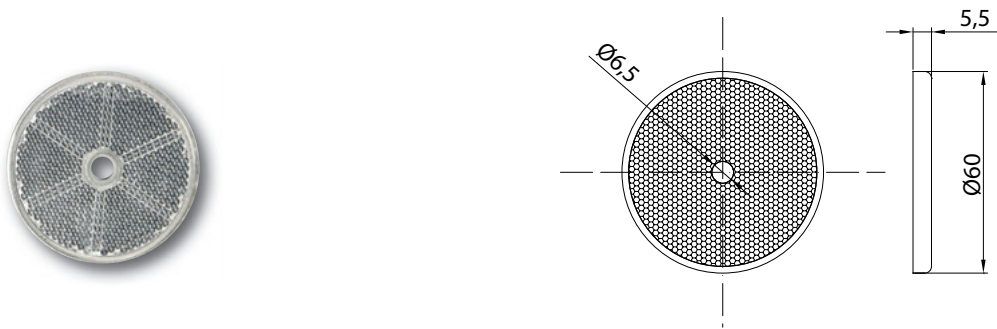
ID/EAN	Photo	Description	Unit pack		Multipack/carton			Multipack/pallet		
			qty.	kg	qty.	cm	kg	qty.	cm	kg
DOB-032 B		White reflector mounted with adhesive tape	10	0,15						
DOB-032 Ž		Yellow reflector mounted with adhesive tape	10	0,15						
DOB-032 C		Red reflector mounted with adhesive tape	10	0,15						



CAT

ID/EAN	Photo	Description	Unit pack		Multipack/carton			Multipack/pallet		
			qty.	kg	qty.	cm	kg	qty.	cm	kg
DOB-035 B		White reflector mounted with adhesive tape	10	0,20	2500	59x39x29	50,00	42000	120x80x165	865,00
DOB-035 Ž		Yellow reflector mounted with adhesive tape	10	0,20	2500	59x39x29	50,00	42000	120x80x165	865,00
DOB-035 C		Red reflector mounted with adhesive tape	10	0,20	2500	59x39x29	50,00	42000	120x80x165	865,00

Round reflector





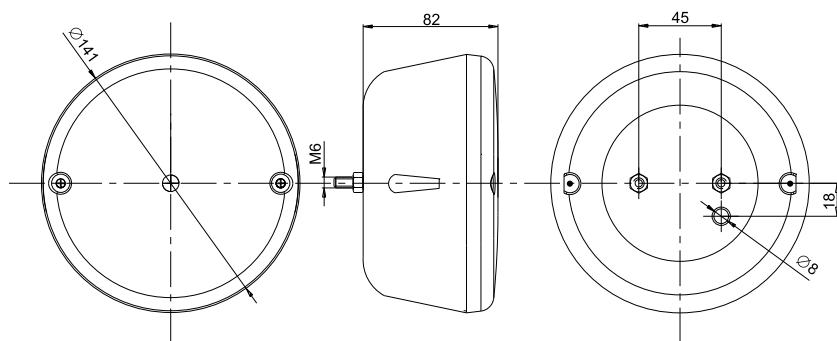
CAT



ID/EAN	Photo	Description	Unit pack		Multipack/carton			Multipack/pallet		
			qty.	kg	qty.	cm	kg	qty.	cm	kg
DOB-033 B		White reflector with a mounting hole	10	0,14						
DOB-033 Ž		Yellow reflector with a mounting hole	10	0,14						
DOB-033 C		Red reflector with a mounting hole	10	0,14						

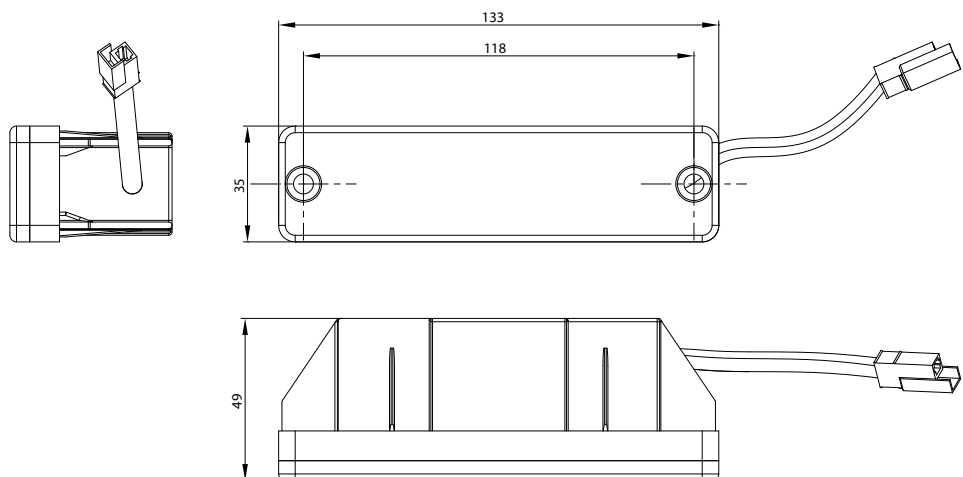
INDICATORS



ID/EAN	Photo	Description	Unit pack		Multipack/carton			Multipack/pallet		
			qty.	kg	qty.	cm	kg	qty.	cm	kg
DOB-040 Ž		Yellow indicator lamp, front (DAF-F95, DAF, MAN, STAR 742, 1142) with a bulb holder	1	0,21						
DOB-040 B		White indicator lamp, front (DAF-F95, DAF, MAN, STAR 742, 1142) with a bulb holder	1	0,21						



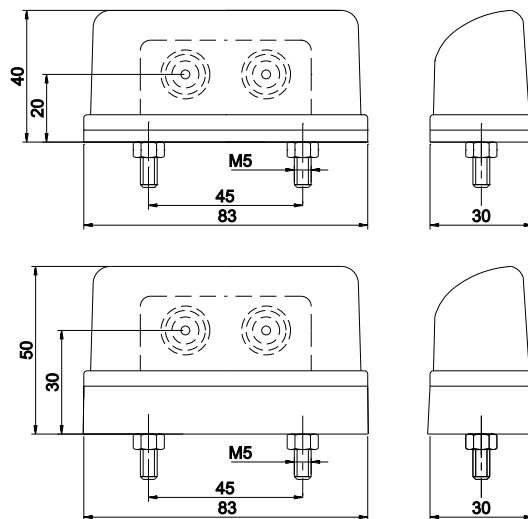
ID/EAN	Photo	Description	Unit pack		Multipack/carton			Multipack/pallet		
			qty.	kg	qty.	cm	kg	qty.	cm	kg
FT-098 5907556002586		Indicator lamp	1	0,25	32	59x39x29	8,00	640	120x80x165	185,00
FT-098 K 5907556002593		Lampshade	1	0,10	100	59x39x29	10,00	2000	120x80x165	225,00



SM

ID/EAN	Photo	Description	Unit pack		Multipack/carton			Multipack/pallet		
			qty.	kg	qty.	cm	kg	qty.	cm	kg
MD-010 Ž 5907556002890		Yellow indicator lamp	1	0,13	150	59x39x29	19,50	3000	120x80x165	415,00
MD-010 Ž/K 5907556002920		Yellow lampshade	10	0,32	360	59x39x29	11,52	7200	120x80x165	255,40

NUMBER PLATE LAMPS



- Universal voltage - 12-30V
- Free polarization
- Operating temperature range: -40°C do +100°C
- Life of the light source (LED diode) ≈ 50.000 h of continuous work
- Integrated cable 2x0,75 mm²
- Electric parameters: for white lamps at 12V power supply (0,04A)/ 0,5W; at 24V power supply (0,04A)/ 1W; for yellow and red lamps at 12V power supply (0,04A)/ 0,25W; at 24V power supply (0,02A)/ 0,5W

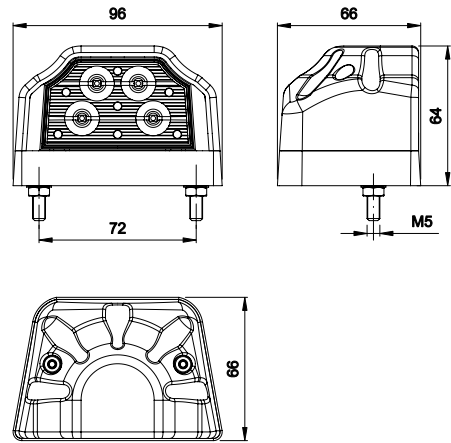
LED LT

ID/EAN	Photo	Description	Unit pack		Multipack/carton			Multipack/pallet		
			qty.	kg	qty.	cm	kg	qty.	cm	kg
FT-016 5907556001688		Number plate LED lamp with a cable	2	0,13	400	59x39x29	26,00	8000	120x80x165	545,00
FT-016 *QS075 5907556004399		Number plate LED lamp with a cable and QS075 quick connector	2	0,15	400	59x39x29	30,00	8000	120x80x165	625,00
FT-016 *QS150 5907556001695		Number plate LED lamp with a cable and QS150 quick connector	2	0,15	400	59x39x29	30,00	8000	120x80x165	625,00
FT-016/1 5907556001701		Number plate LED lamp with a cable	2	0,15	300	59x39x29	22,50	6000	120x80x165	475,00
FT-016/1 *QS075 5907556004405		Number plate LED lamp with a cable and QS075 quick connector	2	0,17	300	59x39x29	25,50	6000	120x80x165	535,00
FT-016/1 *QS150 5907556001718		Number plate LED lamp with a cable and QS150 quick connector	2	0,17	300	59x39x29	25,50	6000	120x80x165	535,00
FT-016/A 5907556006379		Number plate LED lamp with a cable	2	0,13	400	59x39x29	26,00	8000	120x80x165	545,00
FT-016/A *QS075 5907556006386		Number plate LED lamp with a cable and QS075 quick connector	2	0,15	400	59x39x29	30,00	8000	120x80x165	625,00
FT-016/A *QS150 5907556006393		Number plate LED lamp with a cable and QS150 quick connector	2	0,15	400	59x39x29	30,00	8000	120x80x165	625,00
FT-016/1/A 5907556006409		Number plate LED lamp with a cable	2	0,15	300	59x39x29	22,50	6000	120x80x165	475,00
FT-016/1/A *QS075 5907556006416		Number plate LED lamp with a cable and QS075 quick connector	2	0,17	300	59x39x29	25,50	6000	120x80x165	535,00
FT-016/1/A *QS150 5907556006423		Number plate LED lamp with a cable and QS150 quick connector	2	0,17	300	59x39x29	25,50	6000	120x80x165	535,00

*Custom product - lead time will be determined and provided by phone or in writing.



LEC • LT

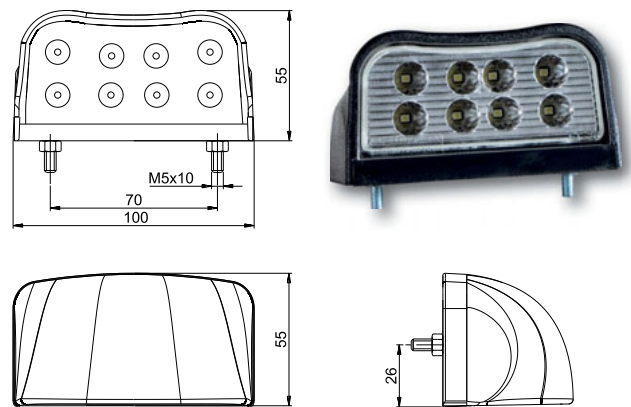


ID/EAN	Photo	Description	Unit pack		Multipack/carton			Multipack/pallet		
			qty.	kg	qty.	cm	kg	qty.	cm	kg
FT-031 5907556005396		Number plate LED lamp	1	0,11	144	59x39x29	15,84	2880	120x80x165	341,80
FT-031 *QS075 5907556006614		Number plate LED lamp with a 0.5 m long wiring loom and QS075 quick connector	1	0,15	120	59x39x29	18,00	2400	120x80x165	385,00
FT-031 *QS150 5907556006638		Number plate LED lamp with a 0.5 m long wiring loom and QS150 quick connector	1	0,15	120	59x39x29	18,00	2400	120x80x165	385,00
FT-031 A 5907556005402		Number plate LED lamp with a sidelight	1	0,11	144	59x39x29	15,84	2880	120x80x165	341,80
FT-031 A *QS075 5907556006621		Number plate LED lamp with a sidelight, a 0.5 m long wiring loom and QS075 quick connector	1	0,15	120	59x39x29	18,00	2400	120x80x165	385,00
FT-031 A *QS150 5907556006645		Number plate LED lamp with a sidelight, a 0.5 m long wiring loom and QS150 quick connector	1	0,15	120	59x39x29	18,00	2400	120x80x165	385,00

Number plate LED lamp

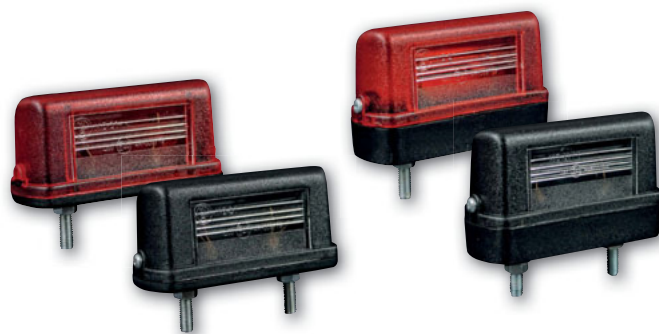
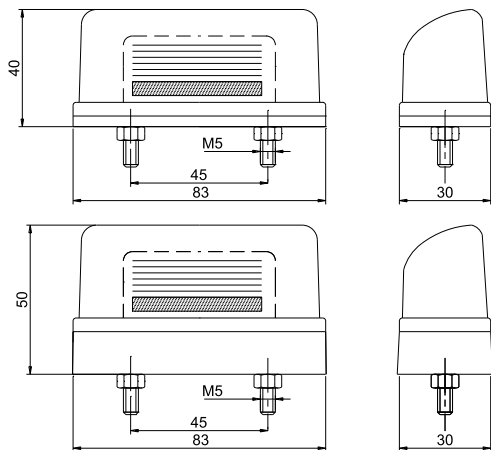
- Universal voltage - 12-30V
- Free polarization
- Operating temperature range: -40°C do +100°C
- Life of the light source (LED diode) ≈ 50.000 h of continuous work
- Integrated cable 2x0,75 mm²
- Electric parameters: for white lamps at 12V power supply (0,04A)/ 0,5W; at 24V power supply (0,04A)/ 1W; for yellow and red lamps at 12V power supply (0,04A)/ 0,25W; at 24V power supply (0,02A)/ 0,5W

LEC • LT



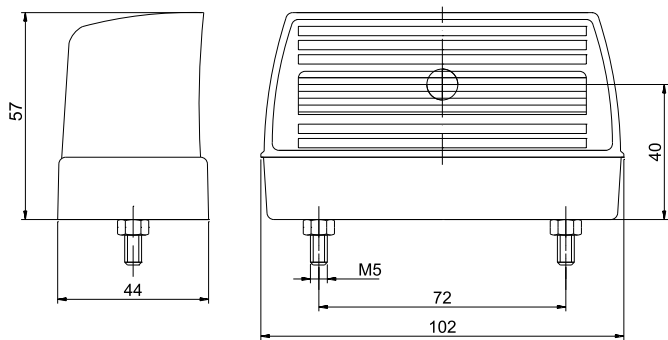
ID/EAN	Photo	Description	Unit pack		Multipack/carton			Multipack/pallet		
			qty.	kg	qty.	cm	kg	qty.	cm	kg
FT-026 5907556002180		Number plate LED lamp without a cable	1	0,11	150	59x39x29	16,50	3000	120x80x165	355,00
FT-026 *QS075 5907556005044		Number plate LED lamp with a cable and QS075 quick connector	1	0,15	150	59x39x29	22,50	3000	120x80x165	475,00
FT-026 *QS150 5907556005037		Number plate LED lamp with a cable and QS150 quick connector	1	0,15	150	59x39x29	22,50	3000	120x80x165	475,00

*Custom product - lead time will be determined and provided by phone or in writing.



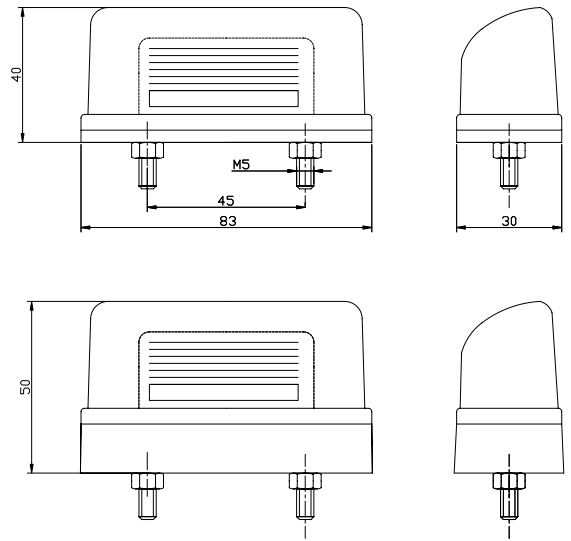
LT

ID/EAN	Photo	Description	Unit pack		Multipack/carton			Multipack/pallet		
			qty.	kg	qty.	cm	kg	qty.	cm	kg
MD-021		Number plate lamp	2	0,08	500	59x39x29	20,00	10000	120x80x165	425,00
MD-021/A		Number plate lamp with a sidelight	2	0,12	500	59x39x29	30,00	10000	120x80x165	625,00
MD-021/1		Number plate lamp with a higher base	2	0,08	400	59x39x29	16,00	8000	120x80x165	345,00
MD-021/1/A		Number plate lamp with a higher base and a sidelight	2	0,12	400	59x39x29	24,00	8000	120x80x165	505,00



LT

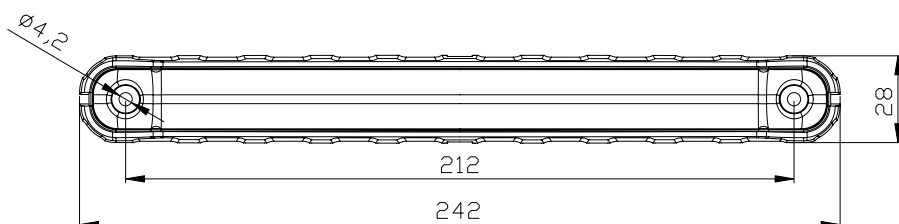
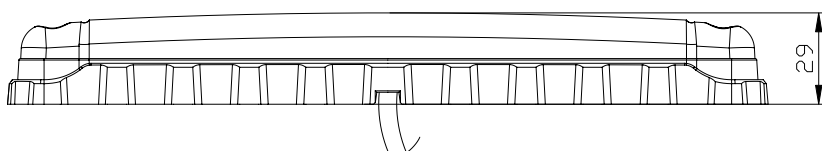
ID/EAN	Photo	Description	Unit pack		Multipack/carton			Multipack/pallet		
			qty.	kg	qty.	cm	kg	qty.	cm	kg
FT-037 5907556002197		Number plate lamp	2	0,19	200	59x39x29	19,00	4000	120x80x165	405,00
FT-037/1 5907556002203		Number plate lamp with a sidelight	2	0,19	200	59x39x29	19,00	4000	120x80x165	405,00
FT-037/P 5907556002227		Number plate lamp with 2x0,75mm ² cable	2	0,23	200	59x39x29	23,00	4000	120x80x165	485,00
FT-037/1/P 5907556002210		Number plate lamp with a sidelight and 2x0,75mm ² cable	2	0,23	200	59x39x29	23,00	4000	120x80x165	485,00






LT







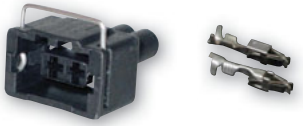
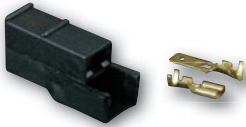






ID/EAN	Photo	Description	Unit pack		Multipack/carton			Multipack/pallet		
			qty.	kg	qty.	cm	kg	qty.	cm	kg
FT-022 5907556002142		Number plate lamp	2	0,08	500	59x39x29	20,00	10000	120x80x165	425,00
FT-022/A 5907556002173		Number plate lamp with a sidelight	2	0,12	500	59x39x29	30,00	10000	120x80x165	625,00
FT-022/1 5907556002159		Number plate lamp with a higher base	2	0,08	400	59x39x29	16,00	8000	120x80x165	345,00
FT-022/1/A 5907556002166		Number plate lamp with a higher base and a sidelight	2	0,12	400	59x39x29	24,00	8000	120x80x165	505,00

INTERIOR LIGHTING LAMPS



ID/EAN	Photo	Description	Unit pack		Multipack/carton			Multipack/pallet		
			qty.	kg	qty.	cm	kg	qty.	cm	kg
FT-034 B 5907556005426		Universal interior LED lamp (white light)	1	0,09	200	59x39x29	18,00	4000	120x80x165	385,00
FT-034 N 5907556005433		Universal interior LED lamp (blue light)	1	0,09	200	59x39x29	18,00	4000	120x80x165	385,00
FT-034 Z 5907556005440		Universal interior LED lamp (yellow light)	1	0,09	200	59x39x29	18,00	4000	120x80x165	385,00
FT-034 C 5907556005457		Universal interior LED lamp (red light)	1	0,09	200	59x39x29	18,00	4000	120x80x165	385,00
FT-034 ZIEL 5907556005464		Universal interior LED lamp (green light)	1	0,09	200	59x39x29	18,00	4000	120x80x165	385,00

ACCESSORIES

ID/EAN	Photo	Description	Unit pack		Multipack/carton			Multipack/pallet		
			qty.	kg	qty.	cm	kg	qty.	cm	kg
OPR FT-004 5907556003583		FT-004 side lamp bulb holder	10							
OPR FT-004/1 5907556003590		FT-004/1 side lamp bulb holder with a wiring loom	10							
OPR FT-004/2 5907556003606		FT-004/2 side lamp bulb holder with a wiring loom (airtight)	10							
OPR MD-013 5907556003613		MD-013 side lamp bulb holder	10							
OPR MD-013/1 5907556003620		MD-013/1 side lamp bulb holder with a wiring loom (airtight)	10							
OPR R10W 5907556003637		R10W bulbholder with a wiring loom	10							
WTY MD-013 5907556003750		MD-013 lamp bulbholder plug	10	0,08						
LU 5907556002685		Cable connector - universal	10							
QS075 with cable 2x0,75		Quick connector for a 2x0,75mm ² cable (fast assembly); Available cable lengths: M05=0,5 m; M10=1 m; M15=1,5 m	10							
QS150 with cable 2x0,75		Quick connector for a 2x1,5mm ² cable (fast assembly); Available cable lengths: M05=0,5 m; M10=1 m; M15=1,5 m	10							
QS075/QS075 5907556007086		Electrical quick connector QS075<->QS075 adapter	10							
QS075/QS150 5907556007093		Electrical quick connector, QS075<->QS150 adapter	10							
QS150/QS150 5907556007109		Electrical quick connector, QS150<->QS150 adapter	10							
STYK FT-010 / FT-011 100 5907556007079		FT-010 clearance lamp contact, pack of 100 pcs.	100							

ID/EAN	Photo	Description	Unit pack		Multipack/carton			Multipack/pallet		
			qty.	kg	qty.	cm	kg	qty.	cm	kg
LGY 2x0,75 5907556003675		Rectangular 2x0,75mm ² cable	100m							
LGY 2x150 5907556003668		Rectangular 2x1,5mm ² cable	100m							
Uchwyt OMEGA INOX 5907556005600		OMEGA mounting holder of INOX metal sheet (FT-036 lamps)	10	0,45						
Uchwyt OMEGA 5907556006010		OMEGA mounting holder of galvanized sheeting (FT-036 lamps)	10	0,45						
KAT FT-004 5907556007048		FT-004 clearance lamp angle holder	10	0,20						
KAT MD-013 5907556007031		MD-013 clearance lamp angle holder	10	0,20						
KAT FT-017/FT-018 5907556002678		Universal angle holder (FT-017, FT-018)	10	0,20						
KAT FT-019 5907556005587		FT-019 clearance lamp angle holder	10	0,20						
KAT FT-020 5907556005594		FT-020 clearance lamp angle holder	10	0,20						
WTY BAJONET L M10 5907556007116		Bayonet plug (5PIN) with 5x0,5mm ² cable, 1 m long, yellow	1							
WTY BAJONET P M10 5907556007123		Bayonet plug (5PIN) with 5x0,5mm ² cable, 1 m long, green	1							
WTY AMP 7PIN 5907556006737		AMP plug (7PIN) with 6x0,75mm ² cable, 1m long	1							
MAG FT-036 5907556007062		Magnetic pad for FT-036 lamp with a rubber cover	1							
KLIN SET 5907556007055		Car wheel wedge with a mounting holder	1							

FRISTOM Tomasz Frieske,
POLSKA, 85-416 Bydgoszcz,
ul. Byszewska 54a,
tel. +48 52 360 90 51,
fax. +48 52 327 75 41,
www.fristom.com.pl

