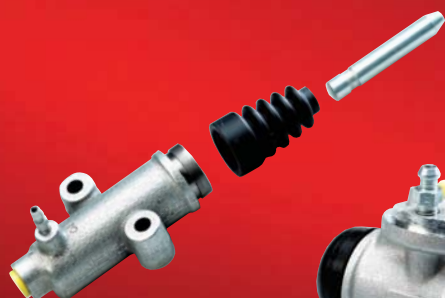
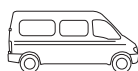


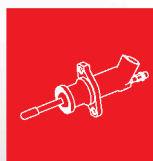
CATFE1103 HYDRAULICS



2011



YOU'RE IN CONTROL





DOT 4

FBX025	250ml
FBX050	500ml



DOT 5.1

FBZ025	250ml
FBZ050	500ml

Brake fluid and hydraulics

The beating heart of your brake system

Whenever changing brake pads or discs, all elements of the brake system should be thoroughly inspected for leaks, blockages, and brake fluid quality. Ferodo offers a comprehensive range of hydraulic components including brake wheel and master cylinders, clutch slave and master cylinders.

Ferodo also offers brake fluids, which are shown above.

CONTENTS



Wheel Brake Cylinders.....	2
Master Cylinder Brakes	30
Master Cylinder Clutch.....	45
Slave Cylinder Clutch.....	51
Competitor Interchange.....	59
OE Interchange	121
Images.....	144



WHEEL BRAKE CYLINDER



21



Material



ALFA ROMEO

33 (905)	1.3	-	08/85	17.46	Rear Axle Right	Cast Iron	FHW168
33 (905)	1.3	-	08/85	17.46	Rear Axle Left	Cast Iron	FHW169
33 (905)	1.3	09/85	08/89	17.46	Rear Axle Right	Cast Iron	FHW183
33 (905)	1.3	09/85	08/89	17.46	Rear Axle Left	Cast Iron	FHW184
33 (907A)	1.8 TD (907A5)	-	08/94	17.46	Rear Axle Right	Cast Iron	FHW183
33 (907A)	1.8 TD (907A5)	-	08/94	17.46	Rear Axle Left	Cast Iron	FHW184
145 (930)	1.4 i.e.	09/94	-	20.64	Rear Axle	Cast Iron	FHW227
145 (930)	1.6 i.e. 16V T.S.	01/97	-	22.22	Rear Axle	Cast Iron	FHW226
145 (930)	1.6 i.e. 16V T.S.	-	-	17.46	Rear Axle	Cast Iron	FHW4161
146 (930)	1.6 i.e. 16V T.S.	01/97	-	22.22	Rear Axle	Cast Iron	FHW226

AUDI

50 (86)	1.1	-	-	14.29	Rear Axle	Cast Iron	FHW004
50 (86)	1.1	-	-	17.46	Rear Axle	Cast Iron	FHW010
50 (86)	1.1	-	-	19.05	Rear Axle	Aluminium	FHW339
50 (86)	1.1	-	-	14.29	Rear Axle	Aluminium	FHW4099
50 (86)	1.1	-	-	17.46	Rear Axle	Aluminium	FHW429
80 (80,82,B1)	1.5	08/74	-	14.29	Rear Axle	Cast Iron	FHW004
80 (80,82,B1)	1.5	08/74	-	17.46	Rear Axle	Cast Iron	FHW010
80 (80,82,B1)	1.5	08/74	-	14.29	Rear Axle	Aluminium	FHW4099
80 (80,82,B1)	1.5	08/74	-	17.46	Rear Axle	Aluminium	FHW429
80 (81,85,B2)	1.6 GLE	08/81	07/84	14.29	Rear Axle	Cast Iron	FHW004
80 (81,85,B2)	1.6 GLE	08/81	07/84	15.87	Rear Axle	Cast Iron	FHW005
80 (81,85,B2)	1.6 GLE	08/81	07/84	15.87	Rear Axle	Aluminium	FHW4033
80 (81,85,B2)	1.6 GLE	08/81	07/84	14.29	Rear Axle	Aluminium	FHW4099
80 (81,85,B2)	1.6 GLE	-	-	17.46	Rear Axle	Cast Iron	FHW010
80 (81,85,B2)	1.6 GLE	-	-	17.46	Rear Axle	Aluminium	FHW429
80 (8C,B4)	2.0	-	-	19.05	Rear Axle	Cast Iron	FHW030
80 (8C,B4)	2.0	-	-	20.64	Rear Axle	Cast Iron	FHW059
80 (8C,B4)	2.0	-	-	19.05	Rear Axle	Aluminium	FHW339
80 (8C,B4)	2.0	-	-	20.64	Rear Axle	Aluminium	FHW4004
90 (81,85,B2)	1.6 TD	-	-	17.46	Rear Axle	Cast Iron	FHW010
90 (81,85,B2)	1.6 TD	-	-	17.46	Rear Axle	Aluminium	FHW429
90 (89,89Q,8A,B3)	1.6 TD	04/88	07/91	19.05	Rear Axle	Cast Iron	FHW030
90 (89,89Q,8A,B3)	1.6 TD	04/88	07/91	19.05	Rear Axle	Aluminium	FHW339
100 (43,C2)	1.6	08/79	07/81	15.87	Rear Axle	Cast Iron	FHW005
100 (43,C2)	1.6	08/79	07/81	15.87	Rear Axle	Aluminium	FHW4033
100 (43,C2)	2.1	08/79	07/81	17.46	Rear Axle	Cast Iron	FHW010
100 (43,C2)	2.1	08/79	07/81	17.46	Rear Axle	Aluminium	FHW429
100 (44,44Q,C3)	2.2	-	-	17.46	Rear Axle	Cast Iron	FHW010
100 (4A,C4)	2.4 D	05/91	07/93	20.64	Rear Axle	Cast Iron	FHW059
100 (4A,C4)	2.4 D	05/91	07/93	20.64	Rear Axle	Aluminium	FHW4004
A2 (8Z0)	1.4	06/00	-	17.46	Rear Axle	Aluminium	FHW429
A2 (8Z0)	1.2 TDI	-	-	15.87	Rear Axle	Aluminium	FHW4033
COUPE (81,85)	1.6	02/81	-	14.29	Rear Axle	Cast Iron	FHW004
COUPE (81,85)	1.6	02/81	-	15.87	Rear Axle	Cast Iron	FHW005
COUPE (81,85)	1.6	-	-	15.87	Rear Axle	Aluminium	FHW4033
COUPE (81,85)	1.6	-	-	14.29	Rear Axle	Aluminium	FHW4099
COUPE (81,85)	2.0	-	-	17.46	Rear Axle	Aluminium	FHW429
COUPE (81,85)	2.1 GT	02/81	-	17.46	Rear Axle	Cast Iron	FHW010

BMW

1500-2000	2000 1.8	-	-	17.46	Rear Axle	Cast Iron	FHW4078
1500-2000	2000 1.8	-	-	15.87	Rear Axle	Cast Iron	FHW4183

WHEEL BRAKE CYLINDER



21



Material



...BMW

1500-2000	2000 Tii	-	-	17.46	Rear Axle	Cast Iron	FHW4312
2000-3.2Coupe (E9)	2000 C/CA	-	-	17.46	Rear Axle	Cast Iron	FHW4078
2000-3.2Coupe (E9)	2800 CS	01/70	-	22.22	Rear Axle	Cast Iron	FHW4254
3 (E21)	320	-	-	19.05	Rear Axle	Cast Iron	FHW051
3 (E30)	315	-	-	19.05	Rear Axle	Cast Iron	FHW051
3 (E30)	320 i	-	-	20.64	Rear Axle	Cast Iron	FHW055
3 (E30)	324 d	-	-	22.22	Rear Axle	Cast Iron	FHW140
3 (E36)	316 i	01/90	-	23.81	Rear Axle	Cast Iron	FHW193
3Coupe (E36)	316 i	-	-	23.81	Rear Axle	Cast Iron	FHW193
5 (E12)	518	-	-	22.22	Rear Axle	Cast Iron	FHW4254
5 (E28)	518 i	01/83	-	19.05	Rear Axle	Cast Iron	FHW051
5 (E28)	520 i	-	03/86	20.64	Rear Axle	Cast Iron	FHW058

CHRYSLER

GRAND CHEROKEE	All	01/71	12/73	23.81	Rear Axle Left	Cast Iron	FHW4534
GRAND CHEROKEE	All	01/71	12/73	23.81	Rear Axle Right	Cast Iron	FHW4535
JEEP	All	01/72	12/73	23.81	Rear Axle Left	Cast Iron	FHW4534
JEEP	All	01/72	12/73	23.81	Rear Axle Left	Cast Iron	FHW4534
JEEP	All	01/72	12/73	23.81	Rear Axle Right	Cast Iron	FHW4535
JEEP	All	01/72	12/73	23.81	Rear Axle Right	Cast Iron	FHW4535
JEEP	All	01/72	12/75	23.81	Rear Axle Left	Cast Iron	FHW4534
JEEP	All	01/72	12/75	23.81	Rear Axle Right	Cast Iron	FHW4535
VALIANT REBEL 660	All	01/78	12/80	23.81	Rear Axle	Cast Iron	FHW4559
VALIANT V100	All	01/78	12/80	23.81	Rear Axle	Cast Iron	FHW4559
VOYAGER (ES)	2.5 i	03/91	-	20.64	Rear Axle	Cast Iron	FHW4113
VOYAGER (ES)	2.5 i	09/93	-	17.46	Rear Axle	Cast Iron	FHW4079
VOYAGER MkII (GS)	2.5 TD	-	10/95	20.64	Rear Axle	Cast Iron	FHW4113
VOYAGER MkII (GS)	3.8 i	-	-	17.46	Rear Axle	Cast Iron	FHW4079
WAGONEER	All	01/71	12/73	23.81	Rear Axle Left	Cast Iron	FHW4534
WAGONEER	All	01/71	12/73	23.81	Rear Axle Right	Cast Iron	FHW4535
WILLY'S JEEP	All	01/71	-	23.81	Rear Axle Left	Cast Iron	FHW4534

CITROEN

2CV	400	03/70	06/70	17.46	Rear Axle	Cast Iron	FHW4051
2CV	400	07/70	-	28.57	Front Axle	Cast Iron	FHW150
2CV	400	-	-	25.40	Front Axle	Cast Iron	FHW4037
2CV	400	-	-	28.57	Front Axle	Cast Iron	FHW4044
2CV	400	-	-	19.05	Rear Axle	Cast Iron	FHW4142
2CV	600	07/76	-	17.46	Rear Axle	Cast Iron	FHW011
2CV	600	-	-	15.87	Rear Axle	Cast Iron	FHW171
BERLINGO (MF)	1.9 D (MFWJZ)	-	-	22.22	Rear Axle	Cast Iron	FHW333
BERLINGOBox (M)	1.9 D	-	-	22.22	Rear Axle	Cast Iron	FHW333
C2 (JM)	1.4	-	-	19.05	Rear Axle Right	Cast Iron	FHW4085
C2 (JM)	1.4	-	-	19.05	Rear Axle Left	Cast Iron	FHW4125
C2 (JM)	1.4 HDi	-	-	20.60	Rear Axle	Aluminium	FHW4107
C2 (JM)	1.4 HDi	-	-	20.64	Rear Axle	Aluminium	FHW415
C3 (FC)	1.4 16V	-	-	20.60	Rear Axle	Aluminium	FHW4107
C3 (FC)	1.4 16V	-	-	20.64	Rear Axle	Aluminium	FHW415
C3 (FC)	1.4 16V HDi	-	-	19.05	Rear Axle Left	Cast Iron	FHW416
C3 (FC)	1.4 16V HDi	-	-	19.05	Rear Axle Right	Cast Iron	FHW417
C3Convertible (HB)	1.4	-	-	20.64	Rear Axle	Aluminium	FHW415
C3Convertible (HB)	1.4	-	-	19.05	Rear Axle Left	Cast Iron	FHW416
C3Convertible (HB)	1.4	-	-	19.05	Rear Axle Right	Cast Iron	FHW417
C3Convertible (HB)	1.4 HDi	-	-	20.60	Rear Axle	Aluminium	FHW4107

WHEEL BRAKE CYLINDER



21



Material



...CITROEN

XSARA PICASSO (N68)	1.8 16V	-	-	22.22	Rear Axle	Cast Iron	FHW333
---------------------	---------	---	---	-------	-----------	-----------	--------

DAEWOO

LANOS (KLAT)	1.5	-	09/98	17.46	Rear Axle	Cast Iron	FHW4289
LANOS (KLAT)	1.6 16V	09/97	-	19.05	Rear Axle	Cast Iron	FHW041
MATIZ (KLYA)	800	-	-	17.46	Rear Axle	Cast Iron	FHW4020
NUBIRA (KLAJ)	1.6 16V	09/97	-	17.50	Rear Axle	Cast Iron	FHW4172

DAIHATSU

CHARADE MkII (G11,G30)	1.0 Turbo (G11)	01/83	12/86	15.87	Rear Axle	Aluminium	FHW4365
CHARADE MkIII (G100,G101,G102)	1.0 (G100)	-	-	17.46	Rear Axle Left	Aluminium	FHW4131
CHARADE MkIII (G100,G101,G102)	1.0 (G100)	-	-	17.46	Rear Axle Right	Aluminium	FHW4153
CHARADE MkIV (G200,G202)	1.3	09/97	-	17.46	Rear Axle Left	Aluminium	FHW4131
CHARADE MkIV (G200,G202)	1.3	09/97	-	17.46	Rear Axle Right	Aluminium	FHW4153
CHARADE MkIV Saloon (G203)	1.5	-	-	17.46	Rear Axle Left	Aluminium	FHW4131
CHARADE MkIV Saloon (G203)	1.5	-	-	17.46	Rear Axle Right	Aluminium	FHW4153
TERIOS (J1)	1.3	-	-	20.64	Rear Axle Left	Cast Iron	FHW4235
TERIOS (J1)	1.3	-	-	20.64	Rear Axle Right	Cast Iron	FHW4236

FIAT

126	600	-	03/76	23.81	Front Axle	Cast Iron	FHW4009
126	600	-	03/76	15.87	Rear Axle	Cast Iron	FHW4014
126	650	-	08/87	19.05	Rear Axle	Cast Iron	FHW152
126	650	-	08/87	23.81	Front Axle	Cast Iron	FHW4010
127	1.3 Sport	11/82	-	19.05	Rear Axle	Cast Iron	FHW038
127	1.3 Sport	-	-	19.05	Rear Axle	Cast Iron	FHW152
128	1.1	-	-	19.05	Rear Axle	Cast Iron	FHW152
131	1.4 Mirafiori	-	-	22.22	Rear Axle	Cast Iron	FHW4157
131	2.0 Racing	-	-	22.22	Rear Axle	Cast Iron	FHW4016
132	2.0 i.e.	-	-	22.22	Rear Axle	Cast Iron	FHW4016
500	500	-	12/73	22.22	Front Axle	Cast Iron	FHW4000
500	500	-	12/73	19.05	Rear Axle	Cast Iron	FHW4001
500	500	-	12/73	22.22	Front Axle	Cast Iron	FHW4059
500	500	11/72	-	23.81	Front Axle	Cast Iron	FHW4009
500	500	11/72	-	15.87	Rear Axle	Cast Iron	FHW4014
500	1.3 D Multijet	-	-	20.64	Rear Axle	Cast Iron	FHW4158
600	600	-	-	22.22	Front Axle	Cast Iron	FHW4000
600	600	-	-	19.05	Rear Axle	Cast Iron	FHW4001
600	600	-	-	28.57	Front Axle	Cast Iron	FHW4058
600	600	-	-	22.22	Front Axle	Cast Iron	FHW4059
600	600	-	-	19.05	Rear Axle	Cast Iron	FHW4064
600	800 (D)	01/68	-	19.05	Rear Axle	Cast Iron	FHW152
850	800	-	-	22.22	Front Axle	Cast Iron	FHW4000
850	800	-	-	19.05	Rear Axle	Cast Iron	FHW4001
850	800	-	-	19.05	Rear Axle	Cast Iron	FHW4064
BRAVA (182)	1.2 16V 80	-	-	22.22	Rear Axle	Cast Iron	FHW225
BRAVA (182)	1.2 16V 80	-	-	22.22	Rear Axle	Cast Iron	FHW226
BRAVA (182)	1.4 12V (182.BA)	-	-	22.22	Rear Axle	Aluminium	FHW4019
BRAVO (182)	1.4 (182.AG)	-	-	22.22	Rear Axle	Cast Iron	FHW225
BRAVO (182)	1.4 (182.AG)	-	-	22.22	Rear Axle	Cast Iron	FHW226
BRAVO (182)	1.4 (182.AG)	-	-	22.22	Rear Axle	Aluminium	FHW4019
CINQUECENTO (170)	700 (170AA)	02/92	-	19.05	Rear Axle	Cast Iron	FHW038
MULTIPLA (186)	1.6 16V Bipower (186AMB1A)	-	-	20.64	Rear Axle	Cast Iron	FHW303

WHEEL BRAKE CYLINDER



21



Material



...FIAT

PALIO Estate (178DX)	1.7 TD (178DX.H1A)	09/97	-	20.64	Rear Axle	Cast Iron	FHW303
PANDA (141A)	650	-	12/85	19.05	Rear Axle	Cast Iron	FHW038
PANDA (141A)	650	-	-	15.87	Rear Axle	Cast Iron	FHW007
PANDA (141A)	650	-	-	15.87	Rear Axle	Cast Iron	FHW155
PANDA (141A)	900	01/93	-	19.05	Rear Axle	Cast Iron	FHW224
PANDA (169)	1.3 D Multijet	09/03	-	20.64	Rear Axle	Cast Iron	FHW4073
PANDA (169)	1.3 D Multijet	09/03	-	20.64	Rear Axle	Cast Iron	FHW4158
PUNTO (176)	55 1.1	11/93	-	20.64	Rear Axle	Cast Iron	FHW209
PUNTO (176)	55 1.1	11/93	-	20.64	Rear Axle	Cast Iron	FHW210
PUNTO (188)	1.4	-	-	20.64	Rear Axle	Aluminium	FHW4065
PUNTO (188)	1.2 16V 80 (188.233, .235, .253, .255, .333, .353, .639, .636)	-	-	20.64	Rear Axle	Aluminium	FHW304
PUNTO (188)	1.3 JTD 16V	07/03	-	22.22	Rear Axle	Aluminium	FHW305
SEICENTO (187)	1.1 (187AXB, 187AXB1A)	04/98	-	19.05	Rear Axle	Cast Iron	FHW038
SIENA (178)	1.4 CAT	-	-	19.05	Rear Axle	Cast Iron	FHW4185
UNO (146A/E)	50 i.e. 1.1	01/93	-	19.05	Rear Axle	Cast Iron	FHW224
UNO (146A/E)	50 i.e. 1.1	-	-	19.05	Rear Axle	Cast Iron	FHW038

FORD

BRONCO	All	01/76	12/96	23.81	Rear Axle Left	Cast Iron	FHW4534
BRONCO	All	01/76	12/96	23.81	Rear Axle Right	Cast Iron	FHW4535
CAPRI MkII (GCEP)	1.3	-	-	20.64	Rear Axle	Cast Iron	FHW4228
CAPRI MkII (GCEP)	2.3	11/74	-	17.46	Rear Axle	Cast Iron	FHW4272
CAPRI MkII (GCEP)	3.0	-	-	17.46	Rear Axle	Cast Iron	FHW337
CAPRI (ECJ)	1300	-	-	19.05	Rear Axle	Aluminium	FHW4201
CAPRI (ECJ)	3000	-	-	17.80	Rear Axle	Aluminium	FHW4348
CAPRI MkIII (GCEP)	1.3	-	12/82	19.05	Rear Axle	Cast Iron	FHW026
CAPRI MkIII (GCEP)	2.0	-	-	17.46	Rear Axle	Cast Iron	FHW337
CAPRI MkIII (GCEP)	2.0	-	-	17.46	Rear Axle	Cast Iron	FHW4272
CORTINA	1600	-	-	20.64	Rear Axle	Cast Iron	FHW093
CORTINA	2000	-	-	17.46	Rear Axle	Cast Iron	FHW337
CORTINA	1600 GT	-	-	19.05	Rear Axle	Cast Iron	FHW027
CORTINA	All	01/82	12/85	23.81	Rear Axle	Cast Iron	FHW4559
CORTINA (GBFK)	1600	12/75	01/76	19.05	Rear Axle	Cast Iron	FHW027
CORTINA (GBFK)	1600	-	03/71	20.64	Rear Axle	Cast Iron	FHW093
CORTINA (GBFK)	1600	01/76	-	17.46	Rear Axle	Cast Iron	FHW337
CORTINA (GBFK)	2000 V6	-	11/75	17.46	Rear Axle	Cast Iron	FHW4272
CORTINA (GBTK)	1300	07/70	03/71	20.64	Rear Axle	Cast Iron	FHW093
CORTINA (GBTK)	1300	07/70	-	19.05	Rear Axle	Cast Iron	FHW027
CORTINA (GBTK)	2000 V6	-	12/75	17.46	Rear Axle	Cast Iron	FHW4272
CORTINA (GBTK)	2000 V6	01/76	-	17.46	Rear Axle	Cast Iron	FHW337
CORTINA (GBTS,GBFS,CBTS)	1.3	02/76	-	19.05	Rear Axle	Cast Iron	FHW4140
CORTINA (GBTS,GBFS,CBTS)	1.6	01/76	-	17.46	Rear Axle	Cast Iron	FHW337
CORTINA (GBTS,GBFS,CBTS)	2.0	-	12/75	17.46	Rear Axle	Cast Iron	FHW4272
CORTINA '80 (GBS,GBNS)	1.6	-	-	17.46	Rear Axle	Cast Iron	FHW337
CORTINA '80 (GBS,GBNS)	1.6	-	-	19.05	Rear Axle	Cast Iron	FHW4140
CORTINA MKIV	3.0	01/77	12/78	23.81	Rear Axle	Cast Iron	FHW4559
CORTINA MKV	3.0	01/79	12/86	23.81	Rear Axle	Cast Iron	FHW4559
COURIER	2.2	01/86	-	17.46	Rear Axle Right	Cast Iron	FHW4569
COURIER	2.2	01/86	-	17.46	Rear Axle Right	Cast Iron	FHW4568
COURIER	2.2	01/91	-	17.46	Rear Axle Right	Cast Iron	FHW4569
COURIER	2.2	01/91	-	17.46	Rear Axle Right	Cast Iron	FHW4568
COURIER	3.0	01/86	-	17.46	Rear Axle Right	Cast Iron	FHW4569
COURIER	3.0	01/86	-	17.46	Rear Axle Right	Cast Iron	FHW4568
COURIER Box (F3L,F5L)	1.8 D	-	-	22.22	Rear Axle	Cast Iron	FHW106

WHEEL BRAKE CYLINDER



21



Material



...FORD

COURIER Box (J5,J3)	1.3	-	03/02	22.22	Rear Axle	Cast Iron	FHW338
COURIER Box (J5,J3)	1.3	-	-	19.05	Rear Axle	Aluminium	FHW4038
COURIER Box (JV)	D 1.8	-	03/02	22.22	Rear Axle	Cast Iron	FHW338
COURIER SWB	1.8	01/91	-	17.46	Rear Axle Right	Cast Iron	FHW4569
COURIER SWB	1.8	01/91	-	17.46	Rear Axle Right	Cast Iron	FHW4568
ESCORT (AFH,ATH)	1100	-	07/70	19.05	Front Axle	Cast Iron	FHW4345
ESCORT (AFH,ATH)	1100	-	07/70	19.05	Front Axle	Cast Iron	FHW4346
ESCORT (AFH,ATH)	1300	-	07/70	19.05	Rear Axle	Aluminium	FHW4347
ESCORT (AFH,ATH)	1300	01/74	-	20.64	Rear Axle	Cast Iron	FHW4228
ESCORT '81Box (AVA)	1.6 D	-	12/85	19.05	Rear Axle	Cast Iron	FHW027
ESCORT '81Box (AVA)	1.6 D	-	12/85	22.22	Rear Axle	Cast Iron	FHW338
ESCORT '81Box (AVA)	1.6 D	-	-	17.46	Rear Axle	Cast Iron	FHW019
ESCORT '86Box (AVF)	1.4 i	-	-	17.46	Rear Axle	Cast Iron	FHW019
ESCORT '86Box (AVF)	1.4 i	-	-	19.05	Rear Axle	Cast Iron	FHW027
ESCORT '86Box (AVF)	1.4 i	-	-	22.22	Rear Axle	Cast Iron	FHW338
ESCORT '91Box (AVL)	1.8 D	09/90	-	22.22	Rear Axle	Cast Iron	FHW135
ESCORT '91Box (AVL)	1.8 D	09/90	-	19.05	Rear Axle	Cast Iron	FHW336
ESCORT '91Box (AVL)	1.8 D	-	-	22.22	Rear Axle	Cast Iron	FHW338
ESCORT '95Box (AVL)	1.8 D	02/95	02/99	17.46	Rear Axle	Cast Iron	FHW337
ESCORT '95Box (AVL)	1.8 Turbo D	-	-	22.22	Rear Axle	Cast Iron	FHW338
ESCORT CLASSIC (AAL,ABL)	1.8 TD	-	02.1999	17.46	Rear Axle	Cast Iron	FHW337
ESCORT MkII (ATH)	1.1	-	04/76	19.05	Rear Axle	Cast Iron	FHW026
ESCORT MkII (ATH)	1.1	02/76	-	20.64	Rear Axle	Cast Iron	FHW4228
ESCORT MkII (ATH)	1.3	-	11/75	17.46	Rear Axle	Cast Iron	FHW4272
ESCORT MkIII (GAA)	1.6 RS Turbo	-	-	19.05	Rear Axle	Cast Iron	FHW027
ESCORT MkIV (GAF,AWF,ABFT)	1.6 D	-	-	19.05	Rear Axle	Cast Iron	FHW027
ESCORT MkIV (GAF,AWF,ABFT)	1.6 D	-	-	22.22	Rear Axle	Cast Iron	FHW338
ESCORT MkV (GAL)	1.4	09/90	-	22.22	Rear Axle	Cast Iron	FHW135
ESCORT MkV (GAL)	1.4	09/90	-	20.64	Rear Axle	Cast Iron	FHW335
ESCORT MkV (GAL)	1.8 16V XR3i	-	-	19.05	Rear Axle	Cast Iron	FHW336
ESCORT MkVI (GAL)	1.3	-	-	22.22	Rear Axle	Cast Iron	FHW135
ESCORT MkVI (GAL)	1.8 D	-	-	19.05	Rear Axle	Cast Iron	FHW336
ESCORT MkVII (GAL,AAL,ABL)	1.4	-	-	20.64	Rear Axle	Cast Iron	FHW335
ESCORT MkVII (GAL,AAL,ABL)	1.4	-	-	22.22	Rear Axle	Cast Iron	FHW338
ESCORT MkVII (GAL,AAL,ABL)	1.8 16V	-	-	17.46	Rear Axle	Cast Iron	FHW337
ESCORT MkVII (GAL,AAL,ABL)	1.8 D	-	01/95	19.05	Rear Axle	Cast Iron	FHW336
F100	All	01/73	12/76	22.22	Rear Axle Left	Cast Iron	FHW4536
F100	All	01/73	12/76	22.22	Rear Axle Right	Cast Iron	FHW4537
F150	All	01/84	12/96	23.81	Rear Axle Left	Cast Iron	FHW4534
F150	All	01/84	12/96	23.81	Rear Axle Right	Cast Iron	FHW4535
F250	All	01/66	12/74	23.81	Rear Axle Left	Cast Iron	FHW4534
F250	All	01/66	12/74	23.81	Rear Axle Right	Cast Iron	FHW4535
F250	All	01/74	12/76	23.81	Rear Axle Left	Cast Iron	FHW4534
F250	All	01/74	12/76	23.81	Rear Axle Right	Cast Iron	FHW4535
F250	All	01/77	12/86	23.81	Rear Axle Left	Cast Iron	FHW4534
F250	All	01/77	12/86	23.81	Rear Axle Right	Cast Iron	FHW4535
F350	All	01/62	12/73	23.81	Rear Axle Left	Cast Iron	FHW4534
F350	All	01/62	12/73	23.81	Rear Axle Right	Cast Iron	FHW4535
F350	All	01/75	-	23.81	Rear Axle Left	Cast Iron	FHW4534
F350	All	01/75	-	23.81	Rear Axle Right	Cast Iron	FHW4535
FAIRLANE	All	01/63	12/76	23.81	Rear Axle Left	Cast Iron	FHW4534
FAIRLANE	All	01/63	12/76	23.81	Rear Axle Right	Cast Iron	FHW4535
FAIRMONT	All	01/69	-	23.81	Rear Axle Left	Cast Iron	FHW4534
FAIRMONT	All	01/69	-	23.81	Rear Axle Right	Cast Iron	FHW4535
FIESTA (GFBT)	1.3	-	-	17.46	Rear Axle	Cast Iron	FHW4207
FIESTA (GFBT)	1.1 (WFBT)	-	07/83	15.00	Rear Axle	Cast Iron	FHW4344

WHEEL BRAKE CYLINDER



21



Material



...FORD

FIESTA (GFBT)	1.1 (WFBT)	08/83	-	17.46	Rear Axle	Cast Iron	FHW019
FIESTA (GFBT)	1.6 XR2	09/81	07/83	19.05	Rear Axle	Cast Iron	FHW034
FIESTA MkII (FBD)	1.0 (FBD)	-	-	17.46	Rear Axle	Cast Iron	FHW019
FIESTA MkII (FBD)	1.6 D (FBD)	-	-	15.00	Rear Axle	Cast Iron	FHW104
FIESTA MkII (FBD)	1.6 XR2 (FBD)	-	-	20.64	Rear Axle	Cast Iron	FHW185
FIESTA MkIII (GFJ)	1.4	05/89	12/93	17.46	Rear Axle	Cast Iron	FHW192
FIESTA MkIII (GFJ)	1.4	01/94	-	19.05	Rear Axle	Cast Iron	FHW4023
FIESTA MkIII (GFJ)	1.4	05/89	-	22.22	Rear Axle	Cast Iron	FHW106
FIESTA MkIII (GFJ)	1.6 XR2i	05/89	12/92	19.05	Rear Axle	Cast Iron	FHW191
FIESTA MkIV (JA,JB)	1.3 i	01/96	12/00	19.05	Rear Axle	Cast Iron	FHW027
FIESTA MkIV (JA,JB)	1.4 i 16V	-	-	17.46	Rear Axle	Cast Iron	FHW337
FIESTA MkIV (JA,JB)	1.4 i 16V	-	-	19.05	Rear Axle	Aluminium	FHW4038
FOCUS (DAW,DBW)	1.8 16V	-	-	20.64	Rear Axle	Cast Iron	FHW335
FOCUS (DAW,DBW)	1.8 DI / TDDi	-	-	19.05	Rear Axle	Cast Iron	FHW336
FOCUS Saloon (DFW)	1.8 16V	-	-	20.64	Rear Axle	Cast Iron	FHW335
FOCUS Saloon (DFW)	1.8 Turbo DI / TDDi	-	-	19.05	Rear Axle	Cast Iron	FHW336
GRANADA	All	01/75	12/80	23.81	Rear Axle Left	Cast Iron	FHW4534
GRANADA	All	01/75	12/80	23.81	Rear Axle Right	Cast Iron	FHW4535
GRANADA (GGTL,GGFL)	2.0	08/77	-	20.64	Rear Axle	Cast Iron	FHW093
GRANADA (GGTL,GGFL)	3.0	02/72	-	19.05	Rear Axle	Cast Iron	FHW027
GRANADA (GU)	2.0	08/81	06/85	22.22	Rear Axle	Cast Iron	FHW338
GRANADA (GU)	2.3	04/79	05/79	20.64	Rear Axle	Cast Iron	FHW093
GRANADA (GU)	2.8	-	04/79	19.05	Rear Axle	Cast Iron	FHW027
HUSKY	1.6	01/86	-	23.81	Rear Axle	Cast Iron	FHW4559
HUSKY	1.8	01/85	12/87	23.81	Rear Axle	Cast Iron	FHW4559
HUSKY	2.0	01/86	-	23.81	Rear Axle	Cast Iron	FHW4559
JEEP	All	01/93	12/96	22.22	Rear Axle Left	Cast Iron	FHW4536
JEEP	All	01/93	12/96	22.22	Rear Axle Right	Cast Iron	FHW4537
KA (RB)	1.0 i	-	12/00	19.05	Rear Axle	Cast Iron	FHW336
KA (RB)	1.3 i	-	-	17.46	Rear Axle	Cast Iron	FHW337
KA (RB)	1.3 i	-	-	19.05	Rear Axle	Aluminium	FHW4038
MONDEO (GBP)	1.8 i 16V	-	05/94	20.64	Rear Axle	Cast Iron	FHW195
MONDEO (GBP)	2.0 i 16V	-	-	22.22	Rear Axle	Cast Iron	FHW194
MONDEO MkII (BAP)	1.6 i 16V	-	09/00	22.22	Rear Axle	Cast Iron	FHW194
ORION (AFD)	1.6 D	-	12/85	19.05	Rear Axle	Cast Iron	FHW027
ORION (AFD)	1.6 D	-	-	17.46	Rear Axle	Cast Iron	FHW337
ORION MkII (AFF)	1.6 i	-	-	19.05	Rear Axle	Cast Iron	FHW027
ORION MkII (AFF)	1.6 i	-	-	22.22	Rear Axle	Cast Iron	FHW338
ORION MkIII (GAL)	1.4	09/90	-	22.22	Rear Axle	Cast Iron	FHW135
ORION MkIII (GAL)	1.4	09/90	-	20.64	Rear Axle	Cast Iron	FHW335
ORION MkIII (GAL)	1.6	09/90	-	19.05	Rear Axle	Cast Iron	FHW336
RANCHERO	All	01/63	12/79	23.81	Rear Axle Left	Cast Iron	FHW4534
RANCHERO	All	01/63	12/79	23.81	Rear Axle Right	Cast Iron	FHW4535
RANGER	All	01/00	12/04	20.64	Rear Axle Left	Cast Iron	FHW4572
RANGER	All	01/00	12/04	20.64	Rear Axle Right	Cast Iron	FHW4571
RANGER	Ranger	01/00	12/04	23.81	Rear Axle	-	FHW4573
SIERRA (GBG,GB4)	1.6 i	-	-	22.22	Rear Axle	Cast Iron	FHW101
SIERRA (GBG,GB4)	2.0 i CAT	-	-	20.64	Rear Axle	Cast Iron	FHW093
THUNDERBIRD	All	01/68	12/79	23.81	Rear Axle Left	Cast Iron	FHW4534
THUNDERBIRD	All	01/68	12/79	23.81	Rear Axle Right	Cast Iron	FHW4535

HONDA

ACCORD MkIII (CA4,CA5)	2.0 EX (CA5)	-	06/88	20.64	Rear Axle	Aluminium	FHW4218
ACCORD MkIV (CB3,CB7)	2.2 i 16V Automatik (CB7)	-	-	19.05	Rear Axle Right	Aluminium	FHW4121
ACCORD MkIV (CB3,CB7)	2.2 i 16V Automatik (CB7)	-	-	19.05	Rear Axle Left	Aluminium	FHW4154

WHEEL BRAKE CYLINDER



21



Material



...HONDA

ACCORD MkIV (CB3,CB7)	2.2 i 16V Automatik (CB7)	-	-	19.05	Rear Axle Right	Aluminium	FHW4219
ACCORD MkIV (CB3,CB7)	2.2 i 16V Automatik (CB7)	-	-	19.05	Rear Axle Left	Aluminium	FHW4220
CIVIC	1.3	01/79	12/83	17.46	Rear Axle	Aluminium	FHW4547
CIVIC (SL)	1300 S	09/81	12/81	17.46	Rear Axle Left	Aluminium	FHW203
CIVIC (SL)	1300 S	01/83	12/83	19.05	Rear Axle Right	Aluminium	FHW181
CIVIC (SL)	1300 S	01/83	12/83	19.05	Rear Axle Left	Aluminium	FHW182
CIVIC (SL)	1300 S	-	-	19.05	Rear Axle Left	Aluminium	FHW4321
CIVIC (SL)	1300 S	-	-	19.05	Rear Axle Right	Aluminium	FHW4322
CIVIC Hatchback (SB,SS)	1300 L (SS)	-	12/82	17.46	Rear Axle Left	Aluminium	FHW203
CIVIC Hatchback (SB,SS)	1300 L (SS)	-	-	19.05	Rear Axle Left	Aluminium	FHW4321
CIVIC Hatchback (SB,SS)	1300 L (SS)	-	-	19.05	Rear Axle Right	Aluminium	FHW4322
CIVIC II	1.5 GT	-	-	19.05	Rear Axle Right	Aluminium	FHW181
CIVIC II	1.5 GT	-	-	19.05	Rear Axle Left	Aluminium	FHW182
CIVIC MkII (AL,AJ,AG,AH)	1.5 GT (AH)	-	-	19.05	Rear Axle Right	Aluminium	FHW181
CIVIC MkII (AL,AJ,AG,AH)	1.5 GT (AH)	-	-	19.05	Rear Axle Left	Aluminium	FHW182
CIVIC MkIII Hatchback (EC,ED,EE)	1.3 (EC8)	-	07/89	19.05	Rear Axle Right	Aluminium	FHW181
CIVIC MkIII Hatchback (EC,ED,EE)	1.3 (EC8)	-	07/89	19.05	Rear Axle Left	Aluminium	FHW182
CIVIC MkIII Hatchback (EC,ED,EE)	1.3 (EC8)	-	-	19.05	Rear Axle Right	Aluminium	FHW4219
CIVIC MkIII Hatchback (EC,ED,EE)	1.3 (EC8)	-	-	19.05	Rear Axle Left	Aluminium	FHW4220
CIVIC MkIII Hatchback (EC,ED,EE)	1.3 16 V (EC8) CAT	-	-	19.05	Rear Axle Left	Aluminium	FHW4175
CIVIC MkIII Hatchback (EC,ED,EE)	1.3 16 V (EC8) CAT	-	-	19.05	Rear Axle Right	Aluminium	FHW4192
CIVIC MkIV (EG,EH)	1.5 i 16V (EG8)	-	-	19.05	Rear Axle Right	Aluminium	FHW4121
CIVIC MkIV (EG,EH)	1.5 i 16V (EG8)	-	-	19.05	Rear Axle Left	Aluminium	FHW4154
CIVIC MkIV (EG,EH)	1.5 i 16V (EG8)	-	-	19.05	Rear Axle Right	Aluminium	FHW4219
CIVIC MkIV (EG,EH)	1.5 i 16V (EG8)	-	-	19.05	Rear Axle Left	Aluminium	FHW4220
CIVIC MkIV Hatchback (EG)	1.5 i 16V (EG4)	-	-	19.05	Rear Axle Right	Aluminium	FHW4121
CIVIC MkIV Hatchback (EG)	1.5 i 16V (EG4)	-	-	19.05	Rear Axle Left	Aluminium	FHW4154
CIVIC MkIV Hatchback (EG)	1.5 i 16V (EG4)	-	-	19.05	Rear Axle Right	Aluminium	FHW4219
CIVIC MkIV Hatchback (EG)	1.5 i 16V (EG4)	-	-	19.05	Rear Axle Left	Aluminium	FHW4220
CIVIC MkIV Hatchback (EG)	1.6 16V Vtec (EG5)	01/95	06/95	19.05	Rear Axle Right	Aluminium	FHW327
CIVIC MkIV Hatchback (EG)	1.6 16V Vtec (EG5)	01/95	06/95	19.05	Rear Axle Left	Aluminium	FHW328
CIVIC MkIV Hatchback (MA,MB)	1.4 i (MA8)	-	-	19.05	Rear Axle Right	Aluminium	FHW4219
CIVIC MkIV Hatchback (MA,MB)	1.4 i (MA8)	-	-	19.05	Rear Axle Left	Aluminium	FHW4220
CIVIC MkIV Hatchback (MA,MB)	1.5 i Vtec-E (MA9)	01/95	06/95	19.05	Rear Axle Right	Aluminium	FHW327
CIVIC MkIV Hatchback (MA,MB)	1.5 i Vtec-E (MA9)	01/95	06/95	19.05	Rear Axle Left	Aluminium	FHW328
CIVIC MkIV Hatchback (MA,MB)	1.5 i Vtec-E (MA9)	11/95	-	19.05	Rear Axle Left	Aluminium	FHW4045
CIVIC MkIV Hatchback (MA,MB)	1.5 i Vtec-E (MA9)	11/95	-	19.05	Rear Axle Right	Aluminium	FHW4052
CIVIC MkV (EJ9,EK3/4)	1.4 i (EJ9)	-	-	19.05	Rear Axle Right	Aluminium	FHW4219
CIVIC MkV (EJ9,EK3/4)	1.4 i (EJ9)	-	-	19.05	Rear Axle Left	Aluminium	FHW4220
CIVIC MkV Hatchback (EJ9,EK1/3/4)	1.4 i (EJ9)	-	06/96	19.05	Rear Axle Right	Aluminium	FHW327
CIVIC MkV Hatchback (EJ9,EK1/3/4)	1.4 i (EJ9)	-	06/96	19.05	Rear Axle Left	Aluminium	FHW328
CIVIC MkV Hatchback (EJ9,EK1/3/4)	1.5 i (EK3)	-	-	19.05	Rear Axle Right	Aluminium	FHW4219
CIVIC MkV Hatchback (EJ9,EK1/3/4)	1.5 i (EK3)	-	-	19.05	Rear Axle Left	Aluminium	FHW4220
CIVIC MkV Hatchback (MB)	1.4 16V (MB2)	-	-	19.05	Rear Axle Right	Aluminium	FHW4219
CIVIC MkV Hatchback (MB)	1.4 16V (MB2)	-	-	19.05	Rear Axle Left	Aluminium	FHW4220
CIVIC VI	1.7	-	-	19.05	Rear Axle Left	Aluminium	FHW4162
CIVIC VI	1.7	-	-	19.05	Rear Axle Right	Aluminium	FHW4330
CIVIC VI Hatchback (EU,EP)	1.6 i	-	-	19.05	Rear Axle Left	Aluminium	FHW4162
CIVIC VI Hatchback (EU,EP)	1.6 i	-	-	19.05	Rear Axle Right	Aluminium	FHW4330
CIVIC VI Hatchback (EU,EP)	2.0 Type-R	-	-	20.64	Rear Axle Left	Aluminium	FHW4337
CIVIC VI Hatchback (EU,EP)	2.0 Type-R	-	-	20.64	Rear Axle Right	Aluminium	FHW4338
CR-V I (RD)	2.0 16V (RD1, RD3)	-	-	20.64	Rear Axle Left	Aluminium	FHW4337
CR-V I (RD)	2.0 16V (RD1, RD3)	-	-	20.64	Rear Axle Right	Aluminium	FHW4338
CR-V MkII (RD)	2.0	-	-	20.64	Rear Axle Left	Aluminium	FHW4337
CR-V MkII (RD)	2.0	-	-	20.64	Rear Axle Right	Aluminium	FHW4338
CRX (AF,AS)	1.6 i 16V (AS)	-	-	19.05	Rear Axle Right	Aluminium	FHW181

WHEEL BRAKE CYLINDER



21



Material



...HONDA

CRX (AF,AS)	1.6 i 16V (AS)	-	-	19.05	Rear Axle Left	Aluminium	FHW182
CRX MkII (ED,EE)	1.6 i 16V (ED9)	-	07/88	19.05	Rear Axle Right	Aluminium	FHW181
CRX MkII (ED,EE)	1.6 i 16V (ED9)	-	07/88	19.05	Rear Axle Left	Aluminium	FHW182
CRX MkIII (EH,EG)	1.6 i VTi (EG2)	-	-	19.05	Rear Axle Right	Aluminium	FHW4121
CRX MkIII (EH,EG)	1.6 i VTi (EG2)	-	-	19.05	Rear Axle Left	Aluminium	FHW4154
CRX MkIII (EH,EG)	1.6 i VTi (EG2)	-	-	19.05	Rear Axle Right	Aluminium	FHW4219
CRX MkIII (EH,EG)	1.6 i VTi (EG2)	-	-	19.05	Rear Axle Left	Aluminium	FHW4220
JAZZ I	55 1.2	-	-	19.05	Rear Axle Left	Aluminium	FHW4321
JAZZ I	55 1.2	-	-	19.05	Rear Axle Right	Aluminium	FHW4322
JAZZ II (GD)	1.2	-	-	17.46	Rear Axle	Aluminium	FHW4279
PRELUDE Coupe (SN)	1.6	08/79	-	17.46	Rear Axle Left	Aluminium	FHW203

HYUNDAI

ACCENT (LC)	1.5	-	-	17.50	Rear Axle Right	Aluminium	FHW4261
ACCENT (LC)	1.5	-	-	17.50	Rear Axle Left	Aluminium	FHW4262
ACCENT (X-3)	1.5 i 16V	-	09/99	19.05	Rear Axle Right	Aluminium	FHW4080
ACCENT (X-3)	1.5 i 16V	-	09/99	19.05	Rear Axle Left	Aluminium	FHW4084
ACCENT Saloon (LC)	1.6	-	-	17.50	Rear Axle Right	Aluminium	FHW4261
ACCENT Saloon (LC)	1.6	-	-	17.50	Rear Axle Left	Aluminium	FHW4262
ACCENT Saloon (X-3)	1.5 i 16V	-	09/99	19.05	Rear Axle Right	Aluminium	FHW4080
ACCENT Saloon (X-3)	1.5 i 16V	-	09/99	19.05	Rear Axle Left	Aluminium	FHW4084
ATOS (MX)	1.0 i	-	-	17.50	Rear Axle Right	Aluminium	FHW4261
ATOS (MX)	1.0 i	-	-	17.50	Rear Axle Left	Aluminium	FHW4262
GETZ (TB)	1.5 CRDi	-	-	17.50	Rear Axle Right	Aluminium	FHW4261
GETZ (TB)	1.5 CRDi	-	-	17.50	Rear Axle Left	Aluminium	FHW4262
H100 Box	2.5 D	-	-	20.64	Rear Axle Right	Aluminium	FHW4152
H100 Box	2.5 D	-	-	20.64	Rear Axle Left	Aluminium	FHW4165
MATRIX (FC)	1.5 CRDi	-	-	19.05	Rear Axle Left	Aluminium	FHW4045
MATRIX (FC)	1.5 CRDi	-	-	19.05	Rear Axle Right	Aluminium	FHW4052
SONATA	1.8	01/89	12/94	20.64	Rear Axle	Cast Iron	FHW4570
SONATA	2.0	01/89	12/94	20.64	Rear Axle	Cast Iron	FHW4570
SONATA	2.4	01/89	12/94	20.64	Rear Axle	Cast Iron	FHW4570
SONATA	All	01/88	12/90	20.64	Rear Axle	Cast Iron	FHW4538
SONATA (Y-2)	2.0 i	10/88	10/90	20.64	Rear Axle Left	Cast Iron	FHW4285
SONATA (Y-2)	2.0 i	-	-	20.64	Rear Axle	Cast Iron	FHW093
SONATA MkII (Y-3)	1.8 i	07/93	-	19.05	Rear Axle Left	Aluminium	FHW4128
SONATA MkII (Y-3)	1.8 i	07/93	-	19.05	Rear Axle Right	Aluminium	FHW4145
SONATA MKIV (EU4)	2.0	-	-	19.05	Rear Axle	Aluminium	FHW4336

ISUZU

BUS 16 SEATER	2.0	01/88	12/89	23.81	Rear Axle	Cast Iron	FHW4559
FRONTIER	2.8	-	12/97	25.40	Rear Axle	Cast Iron	FHW4565
KB	1.6	01/81	12/84	23.81	Rear Axle	Cast Iron	FHW4559
KB	1.6	01/88	12/92	23.81	Rear Axle	Cast Iron	FHW4559
KB	1.6	01/91	12/94	23.81	Rear Axle	Cast Iron	FHW4559
KB	1.6	01/91	12/94	25.40	Rear Axle	Cast Iron	FHW4565
KB	1.8	01/84	12/86	23.81	Rear Axle	Cast Iron	FHW4559
KB	1.8	01/81	12/89	23.81	Rear Axle	Cast Iron	FHW4559
KB	2.0	01/84	12/87	23.81	Rear Axle	Cast Iron	FHW4559
KB	2.0	01/88	12/92	23.81	Rear Axle	Cast Iron	FHW4559
KB	2.0	01/94	12/97	25.40	Rear Axle	Cast Iron	FHW4565
KB	2.0	-	-	23.81	Rear Axle	Aluminium	FHW4562
KB	2.0	-	-	23.81	Rear Axle	Aluminium	FHW4559
KB	2.0	-	-	25.40	Rear Axle	Cast Iron	FHW4565

WHEEL BRAKE CYLINDER



21



Material



...ISUZU

KB	2.3	01/87	12/89	23.81	Rear Axle	Cast Iron	FHW4559
KB	2.3	01/88	12/91	23.81	Rear Axle	Cast Iron	FHW4559
KB	2.3	01/88	12/91	25.40	Rear Axle	Cast Iron	FHW4565
KB	2.3	01/91	12/93	23.81	Rear Axle	Cast Iron	FHW4559
KB	2.3	01/91	12/93	25.40	Rear Axle	Cast Iron	FHW4565
KB	2.4	01/00	12/06	23.81	Rear Axle	Aluminium	FHW4562
KB	2.6	01/88	12/92	23.81	Rear Axle	Cast Iron	FHW4559
KB	2.6	01/91	12/96	23.81	Rear Axle	Cast Iron	FHW4559
KB	2.6	01/91	12/96	25.40	Rear Axle	Cast Iron	FHW4565
KB	2.6	01/93	12/97	23.81	Rear Axle	Cast Iron	FHW4559
KB	2.6	01/93	12/97	25.40	Rear Axle	Cast Iron	FHW4565
KB	3.0	01/02	12/04	23.81	Rear Axle	Aluminium	FHW4562
KB	3.5	01/04	12/06	23.81	Rear Axle	Aluminium	FHW4562
KB DIESEL	2.0	01/78	12/84	23.81	Rear Axle	Cast Iron	FHW4559
KB DIESEL	2.2	01/81	12/89	23.81	Rear Axle	Cast Iron	FHW4559
KB DIESEL	2.5	01/87	12/92	23.81	Rear Axle	Cast Iron	FHW4559
KB DIESEL	2.5	01/87	12/92	25.40	Rear Axle	Cast Iron	FHW4565
KB DIESEL	2.5	01/91	12/97	23.81	Rear Axle	Cast Iron	FHW4559
KB DIESEL	2.5	01/91	12/97	25.40	Rear Axle	Cast Iron	FHW4565
KB DIESEL	2.8	01/88	12/94	23.81	Rear Axle	Cast Iron	FHW4559
KB DIESEL	2.8	01/88	12/94	25.40	Rear Axle	Cast Iron	FHW4565
KB DIESEL	2.8	01/93	12/96	25.40	Rear Axle	Cast Iron	FHW4565
LE	All	-	-	25.40	Rear Axle	Cast Iron	FHW4565
PANELVAN	All	01/88	12/89	23.81	Rear Axle	Cast Iron	FHW4559
RELAY	All	01/83	12/91	23.81	Rear Axle	Cast Iron	FHW4559
TROOPER	2.6	01/88	12/91	22.22	Rear Axle Left	Cast Iron	FHW4560
TROOPER	2.6	01/88	12/91	22.22	Rear Axle Right	Cast Iron	FHW4561
TROOPER OpenOff-RoadVehicle (UB)	2.2 TD (UBS52)	-	-	25.40	Rear Axle	Cast Iron	FHW312
TROOPER OpenOff-RoadVehicle (UB)	2.3 (UBS16)	06/87	-	22.22	Rear Axle	Cast Iron	FHW4191

JEEP

CHEROKEE (XJ)	2.5 i	-	-	20.64	Rear Axle	Cast Iron	FHW4113
CHEROKEE (XJ)	4.0 i	-	04/01	22.22	Rear Axle Left	Cast Iron	FHW4160
CHEROKEE (XJ)	4.0 i	-	04/01	22.22	Rear Axle Right	Cast Iron	FHW4292
WRANGLER (YJ,SJ)	2.5	-	-	22.22	Rear Axle Left	Cast Iron	FHW4160
WRANGLER (YJ,SJ)	2.5	-	-	22.22	Rear Axle Right	Cast Iron	FHW4292

KIA

RIO (DC)	1.3	-	-	17.46	Rear Axle	Cast Iron	FHW4193
SPORTAGE (K00)	2.0 i	-	06/97	20.64	Rear Axle	Cast Iron	FHW4055
SPORTAGE (K00)	2.0 i	07/97	-	20.64	Rear Axle	Cast Iron	FHW4118

LADA

1200/2101/2102/2103	1.2	01/76	12/83	20.64	Rear Axle	Cast Iron	FHW207
1300/2101/2102/2103	1.3	01/77	12/83	20.64	Rear Axle	Cast Iron	FHW207
1500/2101/2102/2103	1.5	01/76	12/85	20.64	Rear Axle	Cast Iron	FHW207
1600/2101/2102/2103	1.6	01/78	12/86	20.64	Rear Axle	Cast Iron	FHW207

LANDROVER

109 SERIES	2.6	01/68	12/71	28.57	Front Axle Left	Cast Iron	FHW4567
109 SERIES	2.6	01/68	12/71	28.57	Front Axle Right	Cast Iron	FHW4566
109 SERIES	3.5	01/80	12/85	28.57	Front Axle Left	Cast Iron	FHW4567

WHEEL BRAKE CYLINDER



21



Material



...LANDROVER

109 SERIES	3.5	01/80	12/85	28.57	Front Axle Right	Cast Iron	FHW4566
88/109	2.3 (LR 88 OL, LR 109 OL)	10/70	10/79	31.75	Right	Cast Iron	FHW4173
88/109	2.3 (LR 88 OL, LR 109 OL)	10/70	10/79	25.40	Rear Axle Right	Cast Iron	FHW4211
88/109	2.3 (LR 88 OL, LR 109 OL)	10/70	10/79	31.75	Left	Cast Iron	FHW4248
88/109	2.3 (LR 88 OL, LR 109 OL)	10/70	10/79	25.40	Rear Axle Left	Cast Iron	FHW4351
88/109	2.3 (LR 88 OL, LR 109 OL)	10/70	10/83	28.57	Front Axle Right	Cast Iron	FHW4147
88/109	2.3 (LR 88 OL, LR 109 OL)	10/70	10/83	28.57	Front Axle Left	Cast Iron	FHW4352
88/109	2.3 (LR 88 OL, LR 109 OL)	06/84	-	22.22	Rear Axle Right	Cast Iron	FHW4198
88/109	2.3 (LR 88 OL, LR 109 OL)	06/84	-	22.22	Rear Axle Left	Cast Iron	FHW4367
88/109	2.3 (LR 88 OL, LR 109 OL)	10/83	-	26.99	Rear Axle Right	Cast Iron	FHW4249
88/109	2.3 (LR 88 OL, LR 109 OL)	10/83	-	26.99	Rear Axle Left	Cast Iron	FHW4250
88/109 ClosedOff-RoadVehicle	2.3 (LR 88 OP, LR 109 OP)	10/70	10/79	31.75	Right	Cast Iron	FHW4173
88/109 ClosedOff-RoadVehicle	2.3 (LR 88 OP, LR 109 OP)	10/70	10/79	25.40	Rear Axle Right	Cast Iron	FHW4211
88/109 ClosedOff-RoadVehicle	2.3 (LR 88 OP, LR 109 OP)	10/70	10/79	31.75	Left	Cast Iron	FHW4248
88/109 ClosedOff-RoadVehicle	2.3 (LR 88 OP, LR 109 OP)	10/70	10/79	25.40	Rear Axle Left	Cast Iron	FHW4351
88/109 ClosedOff-RoadVehicle	2.3 (LR 88 OP, LR 109 OP)	10/70	10/83	28.57	Front Axle Right	Cast Iron	FHW4147
88/109 ClosedOff-RoadVehicle	2.3 (LR 88 OP, LR 109 OP)	10/70	10/83	28.57	Front Axle Left	Cast Iron	FHW4352
88/109 ClosedOff-RoadVehicle	2.3 (LR 88 OP, LR 109 OP)	06/84	-	22.22	Rear Axle Right	Cast Iron	FHW4198
88/109 ClosedOff-RoadVehicle	2.3 (LR 88 OP, LR 109 OP)	06/84	-	22.22	Rear Axle Left	Cast Iron	FHW4367
88/109 ClosedOff-RoadVehicle	2.3 (LR 88 OP, LR 109 OP)	10/83	-	26.99	Rear Axle Right	Cast Iron	FHW4249
88/109 ClosedOff-RoadVehicle	2.3 (LR 88 OP, LR 109 OP)	10/83	-	26.99	Rear Axle Left	Cast Iron	FHW4250
90/110 (DHMC)	2.5 TD	-	-	22.22	Rear Axle Right	Cast Iron	FHW4198
90/110 (DHMC)	2.5 TD	-	-	26.99	Rear Axle Right	Cast Iron	FHW4249
90/110 (DHMC)	2.5 TD	-	-	26.99	Rear Axle Left	Cast Iron	FHW4250
90/110 (DHMC)	2.5 TD	-	-	22.22	Rear Axle Left	Cast Iron	FHW4367
DEFENDER (LD)	2.5 90 TDI	-	-	25.40	Rear Axle Left	Cast Iron	FHW4361
DEFENDER (LD)	2.5 90 TDI	-	-	25.40	Rear Axle Right	Cast Iron	FHW4362
FREELANDER (LN)	2.0 DI	-	-	20.64	Rear Axle	Cast Iron	FHW335

MAZDA

323	All	01/81	12/85	15.87	Rear Axle	Aluminium	FHW4564
323	All	01/81	12/85	19.05	Rear Axle	Cast Iron	FHW4563
626	1.8	01/89	-	19.05	Rear Axle	Cast Iron	FHW4563
626	2.0	01/83	12/89	19.05	Rear Axle	Cast Iron	FHW4563
121 (DA)	1.1	01/88	-	15.87	Rear Axle	Cast Iron	FHW4110
121 MkII (DB)	1.3 16V	-	01/96	15.87	Rear Axle	Cast Iron	FHW4110
121 MkIII (JASM,JBSM)	1.25	-	12/00	19.05	Rear Axle	Cast Iron	FHW336
121 MkIII (JASM,JBSM)	1.25	-	12/00	17.46	Rear Axle	Cast Iron	FHW337
2 (B2W)	1.4 CD	-	-	19.05	Rear Axle	Aluminium	FHW418
323 C MkIV (BG)	1.3	-	-	17.46	Rear Axle	Cast Iron	FHW4024
323 C MkIV (BG)	1.3	-	-	17.46	Rear Axle	Cast Iron	FHW4275
323 C MkV (BA)	1.3 16V	-	-	17.46	Rear Axle	Cast Iron	FHW4024
323 C MkV (BA)	1.5 16V	-	-	19.05	Rear Axle	Cast Iron	FHW4076
323 F MkIV (BG)	1.6	-	-	17.46	Rear Axle	Cast Iron	FHW4024
323 F MkV (BA)	1.5 16V	10/94	-	19.05	Rear Axle	Cast Iron	FHW4076
323 F/P MkVI (BJ)	1.4 16V	-	-	17.46	Rear Axle	Cast Iron	FHW4024
323 F/P MkVI (BJ)	1.4 16V	-	-	19.05	Rear Axle	Cast Iron	FHW4076
323 MkII (BD)	1.3	01/85	12/87	17.46	Rear Axle	Cast Iron	FHW4288
323 MkII (BD)	1.5	-	12/85	17.46	Rear Axle	Cast Iron	FHW4184
323 MkIII (BF)	1.5	-	12/87	17.46	Rear Axle	Cast Iron	FHW4288
323 MkIII (BF)	1.7 D	01/89	-	17.46	Rear Axle	Cast Iron	FHW4024
323 MkIII (BF)	1.7 D	-	-	17.46	Rear Axle	Cast Iron	FHW4081
323 P MkV (BA)	1.3 16V	-	-	17.46	Rear Axle	Cast Iron	FHW4024
323 P MkV (BA)	1.5 16V	-	-	19.05	Rear Axle	Cast Iron	FHW4076
323 S MkIV (BG)	1.6	-	-	17.46	Rear Axle	Cast Iron	FHW4024

WHEEL BRAKE CYLINDER



21



Material



...MAZDA

323 S MkIV (BG)	1.7 D	-	-	17.46	Rear Axle	Cast Iron	FHW4275
323 S MkV (BA)	1.3 16V	-	-	17.46	Rear Axle	Cast Iron	FHW4024
323 S MkV (BA)	1.6 TD	-	-	19.05	Rear Axle	Cast Iron	FHW4076
323 S MkVI (BJ)	1.4 16V	-	-	17.46	Rear Axle	Cast Iron	FHW4024
323 S MkVI (BJ)	1.4 16V	-	-	19.05	Rear Axle	Cast Iron	FHW4076
323RWD	1.3	01/77	12/80	15.87	Rear Axle	Aluminium	FHW4543
626 MkII (GC)	2.0 D	-	-	19.05	Rear Axle	Cast Iron	FHW4174
626 MkIII (GD)	2.0 12V	10/87	12/91	17.46	Rear Axle	Cast Iron	FHW4024
626 MkIII (GD)	2.0 16V	-	-	17.46	Rear Axle	Cast Iron	FHW4275
626 MkIII Coupe (GD)	1.8	08/89	-	17.46	Rear Axle	Cast Iron	FHW4024
626 MkIII Coupe (GD)	2.0 16V	-	-	17.46	Rear Axle	Cast Iron	FHW4275
626 MkIV (GE)	1.8 i	-	-	17.46	Rear Axle	Cast Iron	FHW4275
B-SERIE (UF)	2.0	-	-	17.46	Rear Axle Right	Cast Iron	FHW4290
B-SERIE (UF)	2.0	-	-	17.46	Rear Axle Left	Cast Iron	FHW4291
B-SERIES	1.6	01/80	12/85	23.81	Rear Axle	Cast Iron	FHW4559
B-SERIES	1.8	01/77	12/83	23.81	Rear Axle	Cast Iron	FHW4559
B-SERIES	1.8	-	-	17.46	Rear Axle Right	Cast Iron	FHW4569
B-SERIES	1.8	-	-	17.46	Rear Axle Right	Cast Iron	FHW4568
B-SERIES	2.0	01/82	12/85	23.81	Rear Axle	Cast Iron	FHW4559
B-SERIES	2.2	01/82	12/85	23.81	Rear Axle	Cast Iron	FHW4559

MERCEDES BENZ

A-CLASS (W168)	A 140 (168.031, 168.131)	03/01	-	17.46	Rear Axle	Aluminium	FHW354
A-CLASS (W168)	A 140 (168.031, 168.131)	-	-	19.05	Rear Axle	Aluminium	FHW357

MG

MGB Convertible	1.8	-	-	20.32	Rear Axle	Cast Iron	FHW4194
MGBGT	1.8	-	-	20.32	Rear Axle	Cast Iron	FHW4194
MIDGET	1.3	-	-	19.05	Rear Axle	Cast Iron	FHW161
MIDGET	1.5	-	-	17.46	Rear Axle	Cast Iron	FHW4225

MITSUBISHI

CANTER	Canter	01/86	12/90	28.6	Front Axle Right	-	FHW4584
CANTER	Canter	01/86	12/90	28.6	Rear Axle Right	-	FHW4590
CANTER	Canter	01/86	12/90	28.6	Front Axle Left	-	FHW4588
CANTER	Canter	01/86	12/90	28.6	Rear Axle Left	-	FHW4589
COLT	2.5	01/95	12/00	25.40	Rear Axle	Cast Iron	FHW4565
COLT (A15,A)	1.2 GL (A151A)	-	-	19.05	Rear Axle	Cast Iron	FHW4130
COLT LANCER (A7)	1.2	-	-	19.05	Rear Axle Right	Cast Iron	FHW4318
COLT LANCER (A7)	1.2	-	-	19.05	Rear Axle Left	Cast Iron	FHW4319
COLT MkII (C1,A)	GL Diesel (C14A)	-	-	19.05	Rear Axle	Cast Iron	FHW4130
COLT MkIII (C5,A)	1.3 (C51A)	-	-	20.64	Rear Axle	Cast Iron	FHW4372
COLT MkIII (C5,A)	1.8 Diesel GLX (C54A)	05/88	05/90	19.05	Rear Axle	Cast Iron	FHW4130
COLT MkIII (C5,A)	1.8 Diesel GLX (C54A)	06/90	12/91	19.05	Rear Axle	Cast Iron	FHW4086
COLT MkIV (CA,A)	1.3 GLi 12V (CA1A)	-	-	19.05	Rear Axle	Cast Iron	FHW4086
COLT MkIV (CA,A)	1.6 GLXi 16V (CA4A)	-	-	17.46	Rear Axle	Cast Iron	FHW4195
COLT MkV (CJ,A)	1300 GL, GLX (CJ1A)	-	-	19.05	Rear Axle	Cast Iron	FHW4086
COLT MkV (CJ,A)	1600 GLX (CJ4A)	-	-	17.46	Rear Axle	Cast Iron	FHW4195
GALANT MkII (A16)	2.0 GLS (A163)	-	07/81	19.05	Rear Axle Right	Cast Iron	FHW4318
GALANT MkII (A16)	2.0 GLS (A163)	-	07/81	19.05	Rear Axle Left	Cast Iron	FHW4319
GALANT MkIII (E1,A)	2.0 GLS (E15A)	-	-	19.05	Rear Axle	Cast Iron	FHW4130
GALANT MkIV (E3,A)	1.8 Turbo-D (E34A)	-	-	19.05	Rear Axle	Cast Iron	FHW4086
L200 (KT)	2.5 D (K14T)	-	-	23.81	Rear Axle Right	Cast Iron	FHW4196

WHEEL BRAKE CYLINDER



21



Material



...MITSUBISHI

L200 (KT)	2.5 D (K14T)	-	-	23.81	Rear Axle Left	Cast Iron	FHW4243
L200 (KT)	2.5 TD (K34T)	-	-	22.22	Rear Axle Right	Cast Iron	FHW4163
L200 (KT)	2.5 TD (K34T)	-	-	22.22	Rear Axle Left	Cast Iron	FHW4170
L300	3.0	01/82	12/87	23.81	Rear Axle	Cast Iron	FHW4559
L300 Box (L03,P)	1.6 (L032P, L062P)	07/81	-	20.64	Rear Axle Left	Cast Iron	FHW4144
L300 Box (L03,P)	1.6 (L032P, L062P)	07/81	-	20.64	Rear Axle Right	Cast Iron	FHW4164
L300 Box (P0,W,P1,W)	1.6 (P12V, P02V)	-	-	20.64	Rear Axle Left	Cast Iron	FHW4144
L300 Box (P0,W,P1,W)	1.6 (P12V, P02V)	-	-	20.64	Rear Axle Right	Cast Iron	FHW4164
L300 Box (P0,W,P1,W)	1.6 (P12V, P02V)	-	-	22.22	Rear Axle Right	Cast Iron	FHW4163
L300 Box (P0,W,P1,W)	1.6 (P12V, P02V)	-	-	22.22	Rear Axle Left	Cast Iron	FHW4170
L300 Bus (L03,P/G,L0,2P)	1.6 (L032P, L062P)	-	-	20.64	Rear Axle Right	Cast Iron	FHW4164
L300 Bus (P0,W,P1,W,P2,W)	1.6 (P02V, P12V)	-	-	22.22	Rear Axle Right	Cast Iron	FHW4163
L300 Bus (P0,W,P1,W,P2,W)	1.6 (P02V, P12V)	-	-	22.22	Rear Axle Left	Cast Iron	FHW4170
L300Bus (L03,P/G,L0,2P)	1.6 (L032P, L062P)	-	-	20.64	Rear Axle Left	Cast Iron	FHW4144
LANCER F MkII (A17)	1.4 GLX (A172)	-	12/83	19.05	Rear Axle	Cast Iron	FHW4130
LANCER MkIII (C1,A,C6,A)	1.2 GL (C15AS)	-	-	19.05	Rear Axle	Cast Iron	FHW4130
LANCER MkIV (C6,A,C7,A)	1.8 D (C64A)	-	05/90	19.05	Rear Axle	Cast Iron	FHW4130
LANCER MkIV Saloon (C6,A)	1.5 12V (C62A)	-	05/90	19.05	Rear Axle	Cast Iron	FHW4130
LANCER MkV (CB/D,A)	1.6	-	-	17.46	Rear Axle	Cast Iron	FHW4237
LANCER MkV (CB/D,A)	1.3 (CB1A)	-	-	19.05	Rear Axle	Cast Iron	FHW4086
LANCER MkV (CB/D,A)	1.6 16V (CB4A)	-	-	17.46	Rear Axle	Cast Iron	FHW4195
LANCER MkVI (CK/P,A)	1.3 12V (CK1A)	-	-	19.05	Rear Axle	Cast Iron	FHW4086
TREDIA (A21)	1.6 Turbo (A212)	-	-	19.05	Rear Axle	Cast Iron	FHW4130
TREDIA (A21)	1.8 Turbo	-	12/85	17.46	Rear Axle	Cast Iron	FHW4237

NISSAN

1 TONNER	All	01/90	12/97	15.87	Rear Axle	Aluminium	FHW4539
1 TONNER	All	01/95	12/97	15.87	Rear Axle	Aluminium	FHW4539
1 TONNER AW	1.6	01/88	12/97	25.40	Rear Axle	Cast Iron	FHW4565
1 TONNER AW	1.8	01/88	12/97	25.40	Rear Axle	Cast Iron	FHW4565
100NX (B13)	1.6 SR	-	-	15.87	Rear Axle	Aluminium	FHW208
120Y	120Y	01/75	12/80	20.64	Front Axle Left	-	FHW4574
120Y	120Y	01/75	12/80	20.64	Rear Axle Left	-	FHW4575
120Y	120Y	01/75	12/80	20.64	Front Axle Right	-	FHW4576
1600LDV	1.6	01/69	12/70	20.64	Rear Axle	Aluminium	FHW4545
200SX	2.0	01/77	12/79	20.64	Rear Axle	Aluminium	FHW4548
520/521 LDV	520/521	01/66	12/72	20.64	Rear Axle Right	-	FHW4577
720 LDV	1.6	01/88	12/06	25.40	Rear Axle	Cast Iron	FHW4565
720 LDV	1.8	01/82	12/84	14.29	Rear Axle	Aluminium	FHW4540
720 LDV	1.8	01/80	12/88	25.40	Rear Axle	Cast Iron	FHW4565
720 LDV	1.8	01/80	12/98	15.87	Rear Axle	Aluminium	FHW4551
720 LDV	1.8	01/84	12/98	15.87	Rear Axle	Aluminium	FHW4551
720 LDV	2.2	01/83	12/84	14.29	Rear Axle	Aluminium	FHW4540
720 LDV	2.2	01/81	12/88	25.40	Rear Axle	Cast Iron	FHW4565
720 LDV	2.2	01/81	12/98	15.87	Rear Axle	Aluminium	FHW4551
720 LDV	2.2	01/84	12/98	15.87	Rear Axle	Aluminium	FHW4551
720 LDV	2.3	01/84	12/88	25.40	Rear Axle	Cast Iron	FHW4565
720 LDV	All	01/88	12/06	15.87	Rear Axle	Aluminium	FHW4539
720 LDV AW	2.4	01/88	12/06	25.40	Rear Axle	Cast Iron	FHW4565
720 LDV AW	2.5	01/88	12/06	25.40	Rear Axle	Cast Iron	FHW4565
720 LDV AW	2.7	01/88	12/06	25.40	Rear Axle	Cast Iron	FHW4565
720 LDV AW	3.0	01/90	12/97	25.40	Rear Axle	Cast Iron	FHW4565
720 LDV Diesel	2.2	01/80	12/88	14.29	Rear Axle	Aluminium	FHW4540
720 LDV Diesel	2.2	01/80	12/98	15.87	Rear Axle	Aluminium	FHW4551
720 LDV Diesel	2.2	01/85	12/98	15.87	Rear Axle	Aluminium	FHW4551

WHEEL BRAKE CYLINDER



21



Material



...NISSAN

ALMERA (N15)	1.4	-	-	15.87	Rear Axle	Aluminium	FHW190
ALMERA (N15)	1.4	-	-	15.87	Rear Axle	Aluminium	FHW208
ALMERA MkII (N16)	2.2 dCi	-	-	17.46	Rear Axle	Aluminium	FHW4343
B120	1.2	01/70	12/79	20.64	Rear Axle	Aluminium	FHW4545
B120	1.2	01/80	-	22.22	Front Axle Left	Cast Iron	FHW4558
B120	1.2	01/80	-	22.22	Front Axle Right	Cast Iron	FHW4557
B140	1.2	01/70	12/85	20.64	Rear Axle	Aluminium	FHW4545
B140	1.4	01/80	12/96	22.22	Front Axle Left	Cast Iron	FHW4558
B140	1.4	01/80	12/96	22.22	Front Axle Right	Cast Iron	FHW4557
CABSTAR	H40	01/82	12/91	28.6	Front Axle Right	-	FHW4585
CABSTAR	H40	01/82	12/91	28.6	Front Axle Left	-	FHW4586
CABSTAR	H40	01/82	12/91	28.6	Rear Axle Left	-	FHW4587
CABSTAR	H40	01/82	12/91	27	Rear Axle Right	-	FHW4591
CABSTAR	H40	01/82	12/91	27	Rear Axle Right	-	FHW4592
CABSTAR	H40	01/82	12/91	27	Rear Axle Left	-	FHW4593
CABSTAR	H40	01/82	12/91	27	Rear Axle Left	-	FHW4594
DATSUN 120Y Coupe (KB210)	1.2 A F-II 1.2 (KLF10)	11/77	-	20.64	Rear Axle	Aluminium	FHW4077
E20	1.8	01/74	12/83	15.87	Rear Axle	Aluminium	FHW4550
E20	1.8	01/80	12/97	25.40	Rear Axle	Cast Iron	FHW4565
E20	2.0	01/73	12/80	15.87	Rear Axle	Aluminium	FHW4550
E20	2.0	01/73	12/80	17.46	Rear Axle	Aluminium	FHW4549
E20	2.0	01/74	12/83	17.46	Rear Axle	Aluminium	FHW4549
E20	2.0	01/80	12/97	25.40	Rear Axle	Cast Iron	FHW4565
E20 ALL MODELS	All	01/73	12/80	19.05	Rear Axle	Aluminium	FHW4324
LANGLEY (N12)	1.5	-	-	17.46	Rear Axle	Aluminium	FHW4167
LANGLEY (N12)	1.5 Turbo	07/83	-	17.46	Rear Axle	Aluminium	FHW174
LAUREL (JC31)	2.4	01/85	-	22.22	Rear Axle	Aluminium	FHW4178
LAUREL (JC32)	2.8 D	-	12/87	22.22	Rear Axle	Aluminium	FHW4178
MICRA (K10)	1.0	11/88	11/88	15.87	Rear Axle	Aluminium	FHW190
MICRA (K11)	1.3 i 16V	-	-	17.46	Rear Axle	Cast Iron	FHW405
MICRA (K12)	1.5 dCi	-	-	19.05	Rear Axle	Aluminium	FHW4342
MICRA (K12)	160 SR	-	-	19.05	Rear Axle	Aluminium	FHW4136
MICRA C+C (K12)	160 SR	-	-	19.05	Rear Axle	Aluminium	FHW4136
NOTE (E11)	1.5 dCi	-	-	19.05	Rear Axle	Aluminium	FHW4136
PATROL GR (Y60)	2.8 TD (Y60A)	-	10/91	25.40	Rear Axle	Aluminium	FHW4227
PICKUP	All	01/73	12/80	19.05	Rear Axle	Aluminium	FHW4324
PICKUP (720)	2.3 D	09/85	-	17.46	Rear Axle	Aluminium	FHW4370
PICKUP (D21)	2.4 i	-	03/92	20.64	Rear Axle	Aluminium	FHW4134
PICKUP (D21)	2.4 i 12V	-	-	23.81	Rear Axle	Aluminium	FHW4259
PICKUP (D21)	2.5 D	10/87	12/87	17.46	Rear Axle	Aluminium	FHW4370
PICKUP (D22)	2.5 D	-	-	23.81	Rear Axle	Aluminium	FHW4259
PRIMERA (P10)	1.6	-	09/94	20.64	Rear Axle Left	Cast Iron	FHW196
PRIMERA (P10)	1.6	-	09/94	20.64	Rear Axle Right	Cast Iron	FHW197
PRIMERA (P10)	1.6	09/94	-	20.64	Rear Axle Right	Cast Iron	FHW4276
PRIMERA (P10)	1.6	09/94	-	20.64	Rear Axle Left	Cast Iron	FHW4277
PRIMERA (P10)	2.0 D	-	-	20.64	Rear Axle Left	Cast Iron	FHW198
PRIMERA (P10)	2.0 D	-	-	20.64	Rear Axle Right	Cast Iron	FHW199
PRIMERA (P11)	1.6 16V	-	-	20.64	Rear Axle	Cast Iron	FHW419
SANI	2.2	01/84	12/98	15.87	Rear Axle	Aluminium	FHW4551
SANI	All	01/90	12/97	15.87	Rear Axle	Aluminium	FHW4539
SANI	All	01/90	12/97	15.87	Rear Axle	Aluminium	FHW4539
SANI	All	01/96	-	15.87	Rear Axle	Aluminium	FHW4539
SANI 4X2	2.4	01/90	12/97	25.40	Rear Axle	Cast Iron	FHW4565
SANI 4X4	2.2	01/83	12/84	14.29	Rear Axle	Aluminium	FHW4540
SENTRA (B11)	1.3	-	12/86	19.05	Rear Axle	Aluminium	FHW4293
SENTRA (B11)	1.3	-	-	17.46	Rear Axle	Aluminium	FHW174

WHEEL BRAKE CYLINDER



21



Material



...NISSAN

SENTRA (B11)	1.3	-	-	17.46	Rear Axle	Aluminium	FHW4167
SENTRA (B11)	1.3	-	-	17.46	Rear Axle	Aluminium	FHW4224
SENTRA (B11)	1.3	-	-	20.64	Rear Axle	Aluminium	FHW4327
SENTRA MkII (N13)	1.3	-	12/86	19.05	Rear Axle	Aluminium	FHW4293
SENTRA MkII (N13)	1.4 LX	10/90	-	15.87	Rear Axle	Aluminium	FHW208
SENTRA MkII (N13)	1.6 i (A)	-	-	17.46	Rear Axle	Aluminium	FHW4138
SENTRA MkII (N13)	1.6 i 12V	-	12/90	17.46	Rear Axle	Aluminium	FHW174
SENTRA MkII (N13)	1.6 i 12V	-	12/90	17.46	Rear Axle	Aluminium	FHW4167
SENTRA MkII (N13)	1.6 i 12V	-	-	20.64	Rear Axle	Aluminium	FHW4327
SENTRA MkIII (N14)	1.6 i 16V	-	-	15.87	Rear Axle	Aluminium	FHW208
SENTRA MkIII (N14)	1.6 i 16V	-	-	20.64	Rear Axle	Aluminium	FHW4327
SSS	1.6	01/69	12/78	20.64	Rear Axle	Aluminium	FHW4545
STANZA	All	01/78	12/84	20.64	Rear Axle	Aluminium	FHW4548
STANZA	All	01/84	12/91	20.64	Rear Axle	Aluminium	FHW4548
STANZA (T11)	1.6	-	-	17.46	Rear Axle	Aluminium	FHW4224
SUNNY	1.0	01/67	12/71	20.64	Rear Axle	Aluminium	FHW4545
SUNNY (140Y,150Y)	1.4 (HBL310)	-	-	20.64	Rear Axle	Aluminium	FHW4077
SUNNY (140Y,150Y)	1.5 (HBL310)	10/81	-	17.46	Rear Axle	Aluminium	FHW174
SUNNY (140Y,150Y)	1.5 (HBL310)	10/81	-	17.46	Rear Axle	Aluminium	FHW4167
SUNNY120Y	1.2	01/73	12/78	17.46	Rear Axle	Aluminium	FHW4546
SUNNY120Y	All	01/70	-	20.64	Rear Axle	Aluminium	FHW4548
TERRANO (WD21)	2.4 i	-	-	23.81	Rear Axle	Aluminium	FHW4259
TERRANO MkII (R20)	2.4	-	-	22.22	Rear Axle	Cast Iron	FHW223
TERRANO MkII (R20)	2.4	-	-	25.40	Rear Axle	Cast Iron	FHW4258
TERRANO MkII (R20)	2.4 i 12V	-	04/96	22.22	Rear Axle	Cast Iron	FHW4146
TERRANO MkII (R20)	2.7 TDi	-	09/99	23.81	Rear Axle	Cast Iron	FHW4028
TERRANO MkII (R20)	3.0 Di	-	-	23.81	Rear Axle	Cast Iron	FHW4331

OPEL

ASCONA A (81,86,87,88)	1.2 S	09/74	07/75	15.87	Rear Axle	Cast Iron	FHW4204
ASCONA A (81,86,87,88)	1.6 S	-	09/74	19.05	Rear Axle	Cast Iron	FHW318
ASCONA A (81,86,87,88)	1.9 SR	-	-	15.87	Rear Axle	Cast Iron	FHW317
ASCONA B (81,86,87,88)	1.6 N	-	07/81	15.87	Rear Axle	Cast Iron	FHW4204
ASCONA B (81,86,87,88)	1.6 N	-	07/81	19.05	Rear Axle	Cast Iron	FHW4295
ASCONA B (81,86,87,88)	1.6 S	-	07/81	19.05	Rear Axle	Cast Iron	FHW318
ASCONA C (81,86,87,88)	2.0 i	-	-	17.46	Rear Axle	Cast Iron	FHW021
ASCONA C (81,86,87,88)	2.0 i GT	-	-	19.05	Rear Axle	Cast Iron	FHW041
ASCONA C Hatchback (84,89)	2.0 i	-	-	17.46	Rear Axle	Cast Iron	FHW021
ASCONA C Hatchback (84,89)	2.0 i GT	-	-	19.05	Rear Axle	Cast Iron	FHW041
ASTRA F (56,57)	1.4 i	01/94	01/98	19.05	Rear Axle	Cast Iron	FHW041
ASTRA F (56,57)	1.4 i	-	12/94	17.46	Rear Axle	Cast Iron	FHW021
ASTRA F (56,57)	1.4 i	-	-	19.05	Rear Axle	Aluminium	FHW421
ASTRA F CLASSIC Hatchback	1.6 i	-	09/98	19.05	Rear Axle	Aluminium	FHW421
ASTRA F Hatchback (53,54,58,59)	1.6	-	-	19.05	Rear Axle	Aluminium	FHW421
ASTRA F Hatchback (53,54,58,59)	1.6 i	01/94	-	19.05	Rear Axle	Cast Iron	FHW041
ASTRA F Hatchback (53,54,58,59)	1.6 i	-	-	17.46	Rear Axle	Cast Iron	FHW021
ASTRA H	1.6	-	-	20.64	Rear Axle	Aluminium	FHW410
CORSA	1.3	01/93	-	22.22	Rear Axle Left	Cast Iron	FHW4556
CORSA	1.3	01/93	-	22.22	Rear Axle Right	Cast Iron	FHW4555
CORSA	1.6	01/93	-	22.22	Rear Axle Left	Cast Iron	FHW4556
CORSA	1.6	01/93	-	22.22	Rear Axle Right	Cast Iron	FHW4555
CORSA	1.7	01/97	-	22.22	Rear Axle Left	Cast Iron	FHW4556
CORSA	1.7	01/97	-	22.22	Rear Axle Right	Cast Iron	FHW4555
CORSA A Box	1.3	07/86	12/98	17.46	Rear Axle	Cast Iron	FHW021
CORSA A Box	1.3	-	-	17.46	Rear Axle	Cast Iron	FHW013

WHEEL BRAKE CYLINDER



21



Material



...OPEL

CORSA A Hatchback (93,94,98,99)	1.2	-	-	17.46	Rear Axle	Cast Iron	FHW013
CORSA A Hatchback (93,94,98,99)	1.4 i	07/91	-	17.46	Rear Axle	Cast Iron	FHW021
CORSA A Hatchback (93,94,98,99)	1.4 Si	03/93	-	19.05	Rear Axle	Cast Iron	FHW041
CORSA A Saloon (91,92,96,97)	1.0	07/86	12/98	17.46	Rear Axle	Cast Iron	FHW021
CORSA A Saloon (91,92,96,97)	1.0	-	-	17.46	Rear Axle	Cast Iron	FHW013
CORSA A Saloon (91,92,96,97)	1.2 i	03/93	-	19.05	Rear Axle	Cast Iron	FHW041
CORSA B (73,78,79)	1.0 i 12V	03/97	-	19.05	Rear Axle	Cast Iron	FHW041
CORSA B (73,78,79)	1.2 i	-	-	19.05	Rear Axle	Aluminium	FHW421
CORSA B Box (73)	1.7 D	-	-	19.05	Rear Axle	Cast Iron	FHW041
CORSA C (F08,F68)	1.4	-	-	19.05	Rear Axle	Aluminium	FHW421
CORSA C Box (F08,W5L)	1.7 DI 16V	-	-	19.05	Rear Axle	Aluminium	FHW421
KADETT A	1.0 S	-	-	15.87	Rear Axle	Cast Iron	FHW4097
KADETT B	1.7	-	-	15.87	Rear Axle	Cast Iron	FHW317
KADETT B	1.1 S	01/66	-	15.87	Rear Axle	Cast Iron	FHW4097
KADETT B	1.2 S	-	-	19.05	Rear Axle	Cast Iron	FHW4295
KADETT C	1.2 S	-	-	15.87	Rear Axle	Cast Iron	FHW4097
KADETT C	1.2 S	-	-	19.05	Rear Axle	Cast Iron	FHW4295
KADETT C	1.6 S	-	-	19.05	Rear Axle	Cast Iron	FHW318
KADETT C Hatchback	1.2 S	-	-	15.87	Rear Axle	Cast Iron	FHW4097
KADETT C Hatchback	1.2 S	-	-	19.05	Rear Axle	Cast Iron	FHW4295
KADETT C Hatchback	1.6 S	-	-	19.05	Rear Axle	Cast Iron	FHW318
KADETT D (31-34,41-44)	1.3 N	-	07/84	14.29	Rear Axle	Cast Iron	FHW002
KADETT D (31-34,41-44)	1.6 D	04/82	-	17.46	Rear Axle	Cast Iron	FHW4139
KADETT D (31-34,41-44)	1.8 GT/E	-	07/84	17.46	Rear Axle	Cast Iron	FHW013
KADETT E (39,49)	1.8	-	-	17.46	Rear Axle	Cast Iron	FHW021
KADETT E (39,49)	1.3 i CAT	-	-	14.29	Rear Axle	Cast Iron	FHW002
KADETT E (39,49)	1.3 i CAT	-	-	14.29	Rear Axle	Cast Iron	FHW003
KADETT E (39,49)	1.3 i CAT	-	-	17.46	Rear Axle	Cast Iron	FHW013
KADETT E (39,49)	1.3 i CAT	-	-	19.05	Rear Axle	Aluminium	FHW421
KADETT E (39,49)	2.0 i CAT	-	-	19.05	Rear Axle	Cast Iron	FHW041
KADETT E Hatchback (33,34,43,44)	1.8 GSI	-	-	17.46	Rear Axle	Cast Iron	FHW021
KADETT E Hatchback (33,34,43,44)	2.0 GSI CAT	-	-	14.29	Rear Axle	Cast Iron	FHW002
KADETT E Hatchback (33,34,43,44)	2.0 GSI CAT	-	-	14.29	Rear Axle	Cast Iron	FHW003
KADETT E Hatchback (33,34,43,44)	2.0 GSI CAT	-	-	17.46	Rear Axle	Cast Iron	FHW013
KADETT E Hatchback (33,34,43,44)	2.0 GSI CAT	-	-	19.05	Rear Axle	Cast Iron	FHW041
KADETT E Hatchback (33,34,43,44)	2.0 GSI CAT	-	-	19.05	Rear Axle	Aluminium	FHW421
REKORD B	1.7	-	-	15.87	Rear Axle	Cast Iron	FHW317
REKORD C	2.2	-	-	15.87	Rear Axle	Cast Iron	FHW317
REKORD D	1.7 S	-	-	15.87	Rear Axle	Cast Iron	FHW317
REKORD D	1.7 S	-	-	19.05	Rear Axle	Cast Iron	FHW318
REKORD E (17-19,11,14,16)	1.9	-	09/82	15.87	Rear Axle	Cast Iron	FHW317
REKORD E (17-19,11,14,16)	1.8 S	-	-	19.05	Rear Axle	Cast Iron	FHW228
REKORD E (17-19,11,14,16)	2.1 D	-	-	19.05	Rear Axle	Cast Iron	FHW318
TIGRA (95)	1.4 16V	10/94	-	19.05	Rear Axle	Cast Iron	FHW041
TIGRA (95)	1.6 16V	-	-	19.05	Rear Axle	Aluminium	FHW421
ZAFIRA (F75)	1.6 16V	-	-	20.64	Rear Axle	Aluminium	FHW410

PEUGEOT

1007 (KM)	1.4	-	-	20.60	Rear Axle	Aluminium	FHW4107
1007 (KM)	1.4	-	-	20.64	Rear Axle	Aluminium	FHW415
106 (1A,1C)	1.0	-	-	19.05	Rear Axle Left	Cast Iron	FHW045
106 (1A,1C)	1.0	-	-	19.05	Rear Axle Right	Cast Iron	FHW046
106 (1A,1C)	1.0	-	-	19.05	Rear Axle Left	Cast Iron	FHW047
106 (1A,1C)	1.0	-	-	19.05	Rear Axle Right	Cast Iron	FHW048
106 (1A,1C)	1.0	-	-	19.05	Rear Axle	Cast Iron	FHW215

WHEEL BRAKE CYLINDER



21



Material



...PEUGEOT

106 MkII (1)	1.0 i	-	-	19.05	Rear Axle Left	Cast Iron	FHW045
106 MkII (1)	1.0 i	-	-	19.05	Rear Axle Right	Cast Iron	FHW046
106 MkII (1)	1.0 i	-	-	19.05	Rear Axle Left	Cast Iron	FHW047
106 MkII (1)	1.0 i	-	-	19.05	Rear Axle Right	Cast Iron	FHW048
106 MkII (1)	1.0 i	-	-	20.64	Rear Axle	Cast Iron	FHW222
106 MkII (1)	1.5 D	-	-	20.64	Rear Axle	Aluminium	FHW358
205 (741A/C)	1.1	-	-	20.64	Rear Axle Left	Cast Iron	FHW056
205 (741A/C)	1.1	-	-	20.64	Rear Axle Right	Cast Iron	FHW057
205 (741A/C)	1.4	-	07/87	19.05	Rear Axle Left	Cast Iron	FHW036
205 (741A/C)	1.4	-	07/87	19.05	Rear Axle Right	Cast Iron	FHW037
205 (741A/C)	1.4	04/86	-	19.05	Rear Axle	Cast Iron	FHW035
205 (741A/C)	1.4	-	-	19.05	Rear Axle Left	Cast Iron	FHW039
205 (741A/C)	1.4	-	-	19.05	Rear Axle Right	Cast Iron	FHW040
205 Convertible (741B,20D)	1.4 CT	-	-	19.05	Rear Axle	Cast Iron	FHW035
205 Convertible (741B,20D)	1.4 CT	-	-	19.05	Rear Axle Left	Cast Iron	FHW036
205 Convertible (741B,20D)	1.4 CT	-	-	19.05	Rear Axle Right	Cast Iron	FHW037
205 Convertible (741B,20D)	1.6 CTI	09/90	-	19.05	Rear Axle Left	Cast Iron	FHW039
205 Convertible (741B,20D)	1.6 CTI	09/90	-	19.05	Rear Axle Right	Cast Iron	FHW040
205 MkII (20A/C)	1.0	09/90	12/97	19.05	Rear Axle Left	Cast Iron	FHW039
206 Estate (2E/K)	2.0 HDi	-	-	20.64	Rear Axle	Aluminium	FHW358
206 Hatchback (2A/C,T3E)	1.6 i	-	-	20.64	Rear Axle Left	Cast Iron	FHW086
206 Hatchback (2A/C,T3E)	1.6 i	-	-	20.64	Rear Axle Right	Cast Iron	FHW087
206 Hatchback (2A/C,T3E)	1.6 i	-	-	19.05	Rear Axle	Cast Iron	FHW215
206 Hatchback (2A/C,T3E)	1.6 i	-	-	20.64	Rear Axle	Aluminium	FHW358
206 Hatchback (2A/C,T3E)	1.6 i	-	-	19.00	Rear Axle Left	Cast Iron	FHW406
206 Hatchback (2A/C,T3E)	1.6 i	-	-	19.00	Rear Axle Right	Cast Iron	FHW407
206 MkII (20A/C)	1.0	09/90	12/97	19.05	Rear Axle Right	Cast Iron	FHW040
206 MkII (20A/C)	1.0	08/89	-	19.05	Rear Axle Left	Cast Iron	FHW036
206 MkII (20A/C)	1.0	08/89	-	19.05	Rear Axle Right	Cast Iron	FHW037
206 MkII (20A/C)	1.4	-	-	19.05	Rear Axle	Cast Iron	FHW035
206 MkII (20A/C)	1.9 Diesel	09/90	12/97	20.64	Rear Axle	Cast Iron	FHW054
207 (WA,WC)	1.4 HDi	-	-	20.64	Rear Axle Left	Cast Iron	FHW064
207 (WA,WC)	1.4 HDi	-	-	20.64	Rear Axle Right	Cast Iron	FHW065
306 (7B,N3,N5)	1.4 SL	-	04/97	20.64	Rear Axle	Cast Iron	FHW236
306 (7B,N3,N5)	1.9 D	-	-	20.64	Rear Axle	Cast Iron	FHW222
306 (7B,N3,N5)	1.9 D	-	-	20.64	Rear Axle	Aluminium	FHW358
306 (7B,N3,N5)	1.9 SLD	08/94	02/97	20.64	Rear Axle Left	Cast Iron	FHW091
306 (7B,N3,N5)	1.9 SLD	08/94	02/97	20.64	Rear Axle Right	Cast Iron	FHW092
306 (7B,N3,N5)	1.9 SLD	10/94	08/95	20.64	Rear Axle	Cast Iron	FHW054
306 (7B,N3,N5)	1.9 SLD	-	-	20.64	Rear Axle Left	Cast Iron	FHW086
306 (7B,N3,N5)	1.9 SLD	-	-	20.64	Rear Axle Right	Cast Iron	FHW087
306 Convertible (7D,N3,N5)	1.6	-	05/01	20.64	Rear Axle	Aluminium	FHW358
306 Convertible (7D,N3,N5)	1.6	-	-	20.64	Rear Axle Left	Cast Iron	FHW086
306 Convertible (7D,N3,N5)	1.6	-	-	20.64	Rear Axle Right	Cast Iron	FHW087
306 Convertible (7D,N3,N5)	1.6	-	-	20.64	Rear Axle Left	Cast Iron	FHW091
306 Convertible (7D,N3,N5)	1.6	-	-	20.64	Rear Axle Right	Cast Iron	FHW092
306 Convertible (7D,N3,N5)	1.6	-	-	20.64	Rear Axle	Cast Iron	FHW222
306 Convertible (7D,N3,N5)	1.8	04/94	08/95	20.64	Rear Axle	Cast Iron	FHW054
306 Hatchback (7A,7C,N3,N5)	1.1	-	02/97	20.64	Rear Axle Left	Cast Iron	FHW091
306 Hatchback (7A,7C,N3,N5)	1.1	-	02/97	20.64	Rear Axle Right	Cast Iron	FHW092
306 Hatchback (7A,7C,N3,N5)	1.1	09/95	04/97	20.64	Rear Axle	Cast Iron	FHW222
306 Hatchback (7A,7C,N3,N5)	1.1	01/94	08/95	20.64	Rear Axle	Cast Iron	FHW054
306 Hatchback (7A,7C,N3,N5)	1.1	-	-	20.64	Rear Axle Left	Cast Iron	FHW086
306 Hatchback (7A,7C,N3,N5)	1.1	-	-	20.64	Rear Axle Right	Cast Iron	FHW087
306 Hatchback (7A,7C,N3,N5)	1.4	05/97	-	20.64	Rear Axle	Cast Iron	FHW236
306 Hatchback (7A,7C,N3,N5)	1.4	-	-	20.64	Rear Axle	Aluminium	FHW358

WHEEL BRAKE CYLINDER



21



Material



...PEUGEOT

309 (10C,10A)	1.4	-	-	17.46	Rear Axle Left	Cast Iron	FHW015
309 (10C,10A)	1.4	-	-	17.46	Rear Axle Right	Cast Iron	FHW016
309 (10C,10A)	1.4	-	-	20.64	Rear Axle Left	Cast Iron	FHW072
309 (10C,10A)	1.4	-	-	20.64	Rear Axle Right	Cast Iron	FHW073
309 (10C,10A)	1.6	-	-	22.22	Rear Axle left	Cast Iron	FHW116
309 (10C,10A)	1.6	-	-	22.22	Rear Axle right	Cast Iron	FHW117
309 (10C,10A)	1.6	-	-	22.22	Rear Axle Left	Cast Iron	FHW133
309 (10C,10A)	1.6	-	-	22.22	Rear Axle Right	Cast Iron	FHW134
309 MkII (3C,3A)	1.1	-	12/92	20.64	Rear Axle Left	Cast Iron	FHW056
309 MkII (3C,3A)	1.1	-	12/92	20.64	Rear Axle Right	Cast Iron	FHW057
309 MkII (3C,3A)	1.4	-	12/92	20.64	Rear Axle Left	Cast Iron	FHW072
309 MkII (3C,3A)	1.4	-	12/92	20.64	Rear Axle Right	Cast Iron	FHW073
309 MkII (3C,3A)	1.4	-	-	20.64	Rear Axle Left	Cast Iron	FHW062
309 MkII (3C,3A)	1.4	-	-	20.64	Rear Axle Right	Cast Iron	FHW063
309 MkII (3C,3A)	1.6	-	-	17.46	Rear Axle Left	Cast Iron	FHW015
309 MkII (3C,3A)	1.6	-	-	17.46	Rear Axle Right	Cast Iron	FHW016
309 MkII (3C,3A)	1.8 TD	-	08/89	22.22	Rear Axle Left	Cast Iron	FHW133
309 MkII (3C,3A)	1.8 TD	-	08/89	22.22	Rear Axle Right	Cast Iron	FHW134
309 MkII (3C,3A)	1.8 TD	09/89	12/92	20.64	Rear Axle	Cast Iron	FHW054
309 MkII (3C,3A)	1.9 Diesel	-	08/89	22.22	Rear Axle left	Cast Iron	FHW116
309 MkII (3C,3A)	1.9 Diesel	-	08/89	22.22	Rear Axle right	Cast Iron	FHW117
405 (15B)	1.9	-	06/92	20.64	Rear Axle	Cast Iron	FHW098
405 (15B)	1.9	09/87	08/92	20.64	Rear Axle Left	Cast Iron	FHW064
405 (15B)	1.9	09/87	08/92	20.64	Rear Axle Right	Cast Iron	FHW065
405 Estate (15E)	1.6	-	06/91	20.64	Rear Axle	Cast Iron	FHW098
405 MkII (4B)	1.9 TD	-	-	20.64	Rear Axle Left	Cast Iron	FHW064
405 MkII (4B)	1.9 TD	-	-	20.64	Rear Axle Right	Cast Iron	FHW065
405 MkII (4B)	1.9 TD	-	-	20.64	Rear Axle	Cast Iron	FHW098
405 MkII Estate (4E)	1.8	09/92	10/95	20.64	Rear Axle Left	Cast Iron	FHW064
405 MkII Estate (4E)	1.8	09/92	10/95	20.64	Rear Axle Right	Cast Iron	FHW065
405 MkII Estate (4E)	1.9 D	-	02/94	20.64	Rear Axle	Cast Iron	FHW098
405 MkII Estate (4E)	1.9 D	09/92	10/95	20.64	Rear Axle	Cast Iron	FHW334
406 (8B)	1.8	-	-	20.64	Rear Axle Left	Cast Iron	FHW231
406 (8B)	1.8	-	-	20.64	Rear Axle Right	Cast Iron	FHW232
406 (8B)	1.8	-	-	20.64	Rear Axle Left	Cast Iron	FHW237
406 (8B)	1.8	-	-	20.64	Rear Axle Right	Cast Iron	FHW238
406 Estate (8E/F)	1.8 16V	-	-	20.64	Rear Axle Left	Cast Iron	FHW231
406 Estate (8E/F)	1.8 16V	-	-	20.64	Rear Axle Right	Cast Iron	FHW232
406 Estate (8E/F)	1.8 16V	-	-	20.64	Rear Axle Left	Cast Iron	FHW237
406 Estate (8E/F)	1.8 16V	-	-	20.64	Rear Axle Right	Cast Iron	FHW238
504 (A,M)	1.8 (M03)	09/77	-	22.22	Rear Axle left	Cast Iron	FHW116
504 (A,M)	1.8 (M03)	09/77	-	22.22	Rear Axle right	Cast Iron	FHW117
504 (A,M)	1.8 (M03)	-	-	22.22	Rear Axle Left	Cast Iron	FHW4340
504 Estate (D,F)	1.8 (F01, E01)	09/81	12/84	22.22	Rear Axle	Cast Iron	FHW105
504 Estate (D,F)	2.3 D (D40, F40)	-	-	22.22	Rear Axle Right	Cast Iron	FHW4339
504 Pickup (E)	1.6	09/81	12/84	22.22	Rear Axle	Cast Iron	FHW105
BOXER Box (230L)	2.0 i	-	-	25.40	Rear Axle	Cast Iron	FHW244
BOXER Box (230L)	2.5 TDI	-	-	26.99	Rear Axle	Cast Iron	FHW233
BOXER Box (230L)	2.5 TDI	-	-	28.57	Rear Axle	Cast Iron	FHW235
BOXER Bus (230P)	2.5 D	-	-	28.57	Rear Axle	Cast Iron	FHW235
BOXER Bus (230P)	2.5 TDI	-	-	26.99	Rear Axle	Cast Iron	FHW233
EXPERT (224)	1.9 TD	-	-	19.05	Rear Axle	Cast Iron	FHW214
EXPERT Van (222)	1.9 TD	-	-	19.05	Rear Axle	Cast Iron	FHW214
J5 Bus (280P)	2.0	-	-	25.40	Rear Axle	Cast Iron	FHW149
J5 Bus (280P)	2.0	-	-	22.22	Rear Axle	Cast Iron	FHW325
J5 Bus (280P)	2.5 D	-	-	26.99	Rear Axle	Cast Iron	FHW213

WHEEL BRAKE CYLINDER



21



Material



...PEUGEOT

J5 Bus (290P)	2.5 TD	-	06/94	25.40	Rear Axle	Cast Iron	FHW149
J5 Bus (290P)	2.5 TD	-	06/94	26.99	Rear Axle	Cast Iron	FHW213
J7 Bus	1.8	09/73	-	28.57	Rear Axle	Cast Iron	FHW4215
J9 Bus	2.5 D	10/82	10/85	25.40	Rear Axle	Cast Iron	FHW148
J9 Bus	2.5 D	11/85	-	28.57	Rear Axle	Cast Iron	FHW4215
PARTNER (5F)	1.9 D	-	-	22.22	Rear Axle	Cast Iron	FHW333

PORSCHE

924	2.0	01/76	07/85	19.05	Rear Axle	Cast Iron	FHW4047
-----	-----	-------	-------	-------	-----------	-----------	---------

PROTON

SATRIA (C9,M)	1,5	-	-	19.05	Rear Axle	Cast Iron	FHW4086
WIRA (C9,S)	2,0 TD	02/97	-	19.05	Rear Axle	Cast Iron	FHW4086
WIRA Hatchback (C9,C,C9,S)	2,0 TD	-	-	19.05	Rear Axle	Cast Iron	FHW4086

RENAULT

5 (122)	0.8 (1221, 1391, 1220)	01/81	09/82	23.81	Front Axle Left	Cast Iron	FHW146
5 (122)	0.8 (1221, 1391, 1220)	01/81	09/82	23.81	Front Axle Right	Cast Iron	FHW147
5 (122)	0.8 (1221, 1391, 1220)	01/80	12/81	20.64	Rear Axle	Cast Iron	FHW095
5 (122)	0.8 (1221, 1391, 1220)	01/73	-	19.05	Rear Axle	Cast Iron	FHW025
5 (122)	1.4 Automatik (1229, 1399)	-	-	22.22	Rear Axle	Cast Iron	FHW107
5 (122)	1.4 Automatik (1229, 1399)	-	-	22.22	Rear Axle	Cast Iron	FHW113
9 (L42)	1.1 (L421)	01/82	09/86	17.46	Rear Axle Left	Cast Iron	FHW015
9 (L42)	1.1 (L421)	01/82	09/86	17.46	Rear Axle Right	Cast Iron	FHW016
9 (L42)	1.1 (L421)	01/82	-	17.80	Rear Axle Left	Cast Iron	FHW017
9 (L42)	1.1 (L421)	01/82	-	17.80	Rear Axle Right	Cast Iron	FHW018
9 (L42)	1.4 (L422, L42C)	-	09/86	22.22	Rear Axle left	Cast Iron	FHW116
9 (L42)	1.4 (L422, L42C)	-	09/86	22.22	Rear Axle right	Cast Iron	FHW117
9 (L42)	1.4 (L422, L42C)	10/86	-	20.64	Rear Axle Left	Cast Iron	FHW068
9 (L42)	1.4 (L422, L42C)	10/86	-	20.64	Rear Axle Right	Cast Iron	FHW069
9 (L42)	1.4 Turbo	-	-	22.22	Rear Axle Left	Cast Iron	FHW133
9 (L42)	1.4 Turbo	-	-	22.22	Rear Axle Right	Cast Iron	FHW134
11 (B/C37)	1.1 (B/C371)	-	-	17.46	Rear Axle Left	Cast Iron	FHW015
11 (B/C37)	1.1 (B/C371)	-	-	17.46	Rear Axle Right	Cast Iron	FHW016
11 (B/C37)	1.1 (B/C371)	-	-	17.80	Rear Axle Left	Cast Iron	FHW017
11 (B/C37)	1.1 (B/C371)	-	-	17.80	Rear Axle Right	Cast Iron	FHW018
11 (B/C37)	1.4 (B/C373)	-	-	22.22	Rear Axle Left	Cast Iron	FHW133
11 (B/C37)	1.4 (B/C373)	-	-	22.22	Rear Axle Right	Cast Iron	FHW134
11 (B/C37)	1.7 (B/C37E)	-	-	20.64	Rear Axle Left	Cast Iron	FHW068
11 (B/C37)	1.7 (B/C37E)	-	-	20.64	Rear Axle Right	Cast Iron	FHW069
11 (B/C37)	1.7 (B/C37E)	-	-	22.22	Rear Axle left	Cast Iron	FHW116
11 (B/C37)	1.7 (B/C37E)	-	-	22.22	Rear Axle right	Cast Iron	FHW117
14 (121)	1.4 (1213)	01/82	-	22.22	Rear Axle left	Cast Iron	FHW116
14 (121)	1.4 (1213)	01/82	-	22.22	Rear Axle right	Cast Iron	FHW117
14 (121)	1.4 (1213)	01/82	-	22.22	Rear Axle Left	Cast Iron	FHW133
14 (121)	1.4 (1213)	01/82	-	22.22	Rear Axle Right	Cast Iron	FHW134
15 (130)	1.6 (1302)	-	12/76	22.22	Rear Axle Right	Cast Iron	FHW4266
15 (130)	1.6 (1302)	-	12/76	22.22	Rear Axle Left	Cast Iron	FHW4333
15 (130)	1.6 (1302)	-	-	22.22	Rear Axle	Cast Iron	FHW4245
16 (115)	1.6 TL	-	12/79	22.22	Rear Axle	Cast Iron	FHW4245
17	1.6	01/76	12/78	22.22	Rear Axle	Cast Iron	FHW4245
17	1.6	01/76	12/78	22.22	Rear Axle Right	Cast Iron	FHW4266
17	1.6	01/76	12/78	22.22	Rear Axle Left	Cast Iron	FHW4333

WHEEL BRAKE CYLINDER



21



Material



...RENAULT

18 (134)	1.6 TS (1342)	-	12/82	22.22	Rear Axle Right	Cast Iron	FHW133
18 (134)	1.6 TS (1342)	01/83	-	22.22	Rear Axle left	Cast Iron	FHW134
18 (134)	1.6 TS (1342)	-	-	22.22	Rear Axle left	Cast Iron	FHW116
18 (134)	1.6 TS (1342)	-	-	22.22	Rear Axle right	Cast Iron	FHW117
18 (134)	2.1 Diesel	01/84	-	22.22	Rear Axle	Cast Iron	FHW128
19 (B/C53)	1.4 (B/C532) CAT	04/91	-	20.64	Rear Axle Left	Cast Iron	FHW075
19 (B/C53)	1.4 (B/C532) CAT	04/91	-	20.64	Rear Axle Right	Cast Iron	FHW076
19 (B/C53)	1.4 (B/C532) CAT	05/91	-	20.64	Rear Axle Left	Cast Iron	FHW4029
19 (B/C53)	1.4 (B/C532) CAT	05/91	-	20.64	Rear Axle Right	Cast Iron	FHW4043
19 (B/C53)	1.7 (B/C53C)	09/90	-	19.05	Rear Axle Left	Cast Iron	FHW178
19 (B/C53)	1.7 (B/C53C)	09/90	-	19.05	Rear Axle Right	Cast Iron	FHW179
19 MkII (B/C53)	1.8 (B/C538)	-	-	19.05	Rear Axle Left	Cast Iron	FHW178
19 MkII (B/C53)	1.8 (B/C538)	-	-	19.05	Rear Axle Right	Cast Iron	FHW179
19 MkII (B/C53)	1.8 (B/C53Y)	05/92	11/95	20.64	Rear Axle Left	Cast Iron	FHW075
19 MkII (B/C53)	1.8 (B/C53Y)	05/92	11/95	20.64	Rear Axle Right	Cast Iron	FHW076
19 MkII (B/C53)	1.8 (B/C53Y)	-	-	20.64	Rear Axle Left	Cast Iron	FHW086
19 MkII (B/C53)	1.8 (B/C53Y)	-	-	20.64	Rear Axle Right	Cast Iron	FHW087
19 MkII Saloon (L53)	1.7 (L53B)	-	-	20.64	Rear Axle Left	Cast Iron	FHW086
19 MkII Saloon (L53)	1.7 (L53B)	-	-	20.64	Rear Axle Right	Cast Iron	FHW087
19 MkII Saloon (L53)	1.8 (L538)	05/92	-	20.64	Rear Axle Left	Cast Iron	FHW075
19 MkII Saloon (L53)	1.8 (L538)	05/92	-	20.64	Rear Axle Right	Cast Iron	FHW076
19 MkII Saloon (L53)	1.8 (L538)	05/92	-	19.05	Rear Axle Left	Cast Iron	FHW178
19 MkII Saloon (L53)	1.8 (L538)	05/92	-	19.05	Rear Axle Right	Cast Iron	FHW179
19 Saloon (L53)	1.2	06/89	04/91	20.64	Rear Axle Left	Cast Iron	FHW4029
19 Saloon (L53)	1.2	06/89	04/91	20.64	Rear Axle Right	Cast Iron	FHW4043
19 Saloon (L53)	1.2	04/91	04/92	20.64	Rear Axle Left	Cast Iron	FHW075
19 Saloon (L53)	1.2	04/91	04/92	20.64	Rear Axle Right	Cast Iron	FHW076
19 Saloon (L53)	1.7 (L53C)	09/90	-	19.05	Rear Axle Left	Cast Iron	FHW178
19 Saloon (L53)	1.7 (L53C)	09/90	-	19.05	Rear Axle Right	Cast Iron	FHW179
20 (127)	1.6 (1271)	01/76	-	22.22	Rear Axle Left	Cast Iron	FHW121
20 (127)	1.6 (1271)	01/76	-	22.22	Rear Axle Right	Cast Iron	FHW122
20 (127)	1.6 (1271)	01/76	-	22.22	Rear Axle Left	Cast Iron	FHW129
20 (127)	1.6 (1271)	01/76	-	22.22	Rear Axle Right	Cast Iron	FHW130
21 (B48)	2.1 D (B480)	-	12/93	22.22	Rear Axle Right	Cast Iron	FHW4197
21 (B48)	2.1 D (B480)	-	12/93	22.22	Rear Axle Left	Cast Iron	FHW4210
21 (B48)	2.1 Turbo-D (B486, B488, B48V)	-	-	22.22	Rear Axle Right	Cast Iron	FHW102
21 (B48)	2.1 Turbo-D (B486, B488, B48V)	-	-	22.22	Rear Axle Left	Cast Iron	FHW103
21 (B48)	2.2 (B48K)	-	12/93	22.22	Rear Axle Left	Cast Iron	FHW138
21 (B48)	2.2 (B48K)	-	12/93	22.22	Rear Axle Right	Cast Iron	FHW139
21 Saloon (L48)	1.7 (L481)	-	-	22.22	Rear Axle Right	Cast Iron	FHW4197
21 Saloon (L48)	1.7 (L481)	-	-	22.22	Rear Axle Left	Cast Iron	FHW4210
21 Saloon (L48)	1.7 (L48E)	-	-	22.22	Rear Axle Right	Cast Iron	FHW102
21 Saloon (L48)	1.7 (L48E)	-	-	22.22	Rear Axle Left	Cast Iron	FHW103
21 Saloon (L48)	2.0 (L483)	-	-	22.22	Rear Axle Left	Cast Iron	FHW138
21 Saloon (L48)	2.0 (L483)	-	-	22.22	Rear Axle Right	Cast Iron	FHW139
21 Saloon (L48)	2.0 (L489)	-	12/87	22.22	Rear Axle Left	Cast Iron	FHW133
21 Saloon (L48)	2.0 (L489)	-	12/87	22.22	Rear Axle Right	Cast Iron	FHW134
25 (B29)	2.0 (B297)	-	-	22.22	Rear Axle Left	Cast Iron	FHW121
25 (B29)	2.0 (B297)	-	-	22.22	Rear Axle Right	Cast Iron	FHW122
25 (B29)	2.0 (B297)	-	-	22.22	Rear Axle Left	Cast Iron	FHW129
25 (B29)	2.0 (B297)	-	-	22.22	Rear Axle Right	Cast Iron	FHW130
30 (127)	2.1 Turbo-D (1270)	-	12/84	22.22	Rear Axle Left	Cast Iron	FHW121
30 (127)	2.1 Turbo-D (1270)	-	12/84	22.22	Rear Axle Right	Cast Iron	FHW122
30 (127)	2.1 Turbo-D (1270)	-	12/84	22.22	Rear Axle Left	Cast Iron	FHW129
30 (127)	2.1 Turbo-D (1270)	-	12/84	22.22	Rear Axle Right	Cast Iron	FHW130
CLIO (B/C57,5/357)	1.4	01/96	02/98	20.64	Rear Axle Left	Cast Iron	FHW348

WHEEL BRAKE CYLINDER



21



Material



...RENAULT

CLIO (B/C57,5/357)	1.4	01/96	02/98	20.64	Rear Axle Right	Cast Iron	FHW349
CLIO (B/C57,5/357)	1.4	03/91	12/96	20.64	Rear Axle Right	Cast Iron	FHW074
CLIO (B/C57,5/357)	1.4	03/91	12/96	20.64	Rear Axle Left	Cast Iron	FHW089
CLIO (B/C57,5/357)	1.2 (B/C/S577)	-	04/96	20.64	Rear Axle Left	Cast Iron	FHW346
CLIO (B/C57,5/357)	1.2 (B/C/S577)	-	04/96	20.64	Rear Axle Right	Cast Iron	FHW347
CLIO (B/C57,5/357)	1.2 (B/C57R)	03/91	-	20.64	Rear Axle Right	Cast Iron	FHW088
CLIO (B/C57,5/357)	1.2 (B/C57R)	03/91	-	20.64	Rear Axle left	Cast Iron	FHW090
CLIO (B/C57,5/357)	1.9 D (B/C/S576, B/C/S57L)	-	03/91	20.64	Rear Axle Left	Cast Iron	FHW4057
CLIO (B/C57,5/357)	1.9 D (B/C/S576, B/C/S57L)	-	03/91	20.64	Rear Axle Right	Cast Iron	FHW4069
CLIO III (BR0/1,CRO/1)	1.5 dCi	-	-	19.05	Rear Axle	Aluminium	FHW4136
CLIO MkII (BBO/1/2,CBO/1/2)	1.2 (B/CB0F, B/CB0A, B/CB10, B/CB1K, B/CB2D, B/CB2H)	-	-	19.05	Rear Axle	Cast Iron	FHW322
CLIO MkII (BBO/1/2,CBO/1/2)	1.2 (B/CB0F, B/CB0A, B/CB10, B/CB1K, B/CB2D, B/CB2H)	-	-	17.46	Rear Axle	Cast Iron	FHW4018
CLIO MkII (BBO/1/2,CBO/1/2)	1.2 (B/CB0F, B/CB0A, B/CB10, B/CB1K, B/CB2D, B/CB2H)	-	-	17.50	Rear Axle	Aluminium	FHW404
ESPACE (J11)	2.0 (J/S112)	01/85	-	22.22	Rear Axle	Cast Iron	FHW128
ESPACE MkII (J/S63)	2.0 (J636)	-	11/92	22.22	Rear Axle	Cast Iron	FHW128
ESPACE MkII (J/S63)	2.0 (J636)	05/92	-	22.22	Rear Axle	Cast Iron	FHW105
ESPACE MkIII (JEO)	1.9 dTi (JEOm)	-	-	22.22	Rear Axle	Cast Iron	FHW105
FUEGO (I36)	1.4 TL/GTL	-	-	22.22	Rear Axle left	Cast Iron	FHW116
FUEGO (I36)	1.4 TL/GTL	-	-	22.22	Rear Axle right	Cast Iron	FHW117
FUEGO (I36)	1.4 TL/GTL	-	-	22.22	Rear Axle Right	Cast Iron	FHW133
FUEGO (I36)	1.4 TL/GTL	-	-	22.22	Rear Axle left	Cast Iron	FHW134
FUEGO (I36)	1.6 TS/GTS (I362)	-	-	22.22	Rear Axle Right	Cast Iron	FHW131
FUEGO (I36)	2.1 TD	01/83	12/84	22.22	Rear Axle	Cast Iron	FHW128
KANGOO (KCO/1)	1.9 dTi (KCOU)	-	-	22.22	Rear Axle	Aluminium	FHW323
KANGOO (KCO/1)	1.9 dTi (KCOU)	-	-	22.22	Rear Axle	Aluminium	FHW403
LAGUNA (B56,556)	2.0	09/99	-	20.64	Rear Axle	Cast Iron	FHW222
LAGUNA (B56,556)	2.2 D (B56F/2)	06/95	-	19.05	Rear Axle	Cast Iron	FHW211
MEGANE I Convertible (EA0/1)	1.6 e (EA0F)	04/97	-	17.46	Rear Axle	Cast Iron	FHW229
MEGANE I Saloon (LA0/1)	1.6 16V (La04, LA11, LA0B, LA1C, LA1J)	-	-	19.00	Rear Axle	Cast Iron	FHW425
MEGANE I Saloon (LA0/1)	1.6 i (LA0L)	-	-	17.46	Rear Axle	Cast Iron	FHW229
MEGANE I Saloon (LA0/1)	1.6 i (LA0L)	-	-	17.46	Rear Axle	Cast Iron	FHW4079
MEGANE MPV (JA0/1)	2.0 i (JA0G)	-	-	20.64	Rear Axle	Cast Iron	FHW222
MEGANEI (BA0/1)	1.4 e (BA0E, BA0V)	-	-	17.46	Rear Axle	Cast Iron	FHW4079
MEGANEI (BA0/1)	1.6 16V (BA11, BA04, BA0B, BA1J)	-	-	19.00	Rear Axle	Cast Iron	FHW425
MEGANEI (BA0/1)	1.9 dTi (BA08, BA0N)	04/97	-	17.46	Rear Axle	Cast Iron	FHW229
MODUS (F/JPO)	1.5 dCi (JPOG, JPOH)	-	-	19.05	Rear Axle	Aluminium	FHW4136
SAFRANE (B54)	2.2 (B541)	09/92	01/95	22.22	Rear Axle	Cast Iron	FHW105
SCENIC I (JA0/1)	1.4 16V (JA0D, JA1H, Ja0W, JA10)	10/99	-	20.64	Rear Axle	Cast Iron	FHW222
TRAFIC Bus (T5,T6,T7)	1.6	01/85	-	23.81	Rear Axle	Cast Iron	FHW145
TRAFIC Bus (T5,T6,T7)	1.7	03/89	-	25.40	Rear Axle	Cast Iron	FHW200
TRAFIC Bus (TXW)	2.0	-	-	23.81	Rear Axle	Cast Iron	FHW145
TRAFIC Bus (TXW)	2.2	-	-	25.40	Rear Axle	Cast Iron	FHW200
TWINGO (C06)	1.2 (C066, C068)	09/96	06/98	20.64	Rear Axle	Cast Iron	FHW221
TWINGO (C06)	1.2 (C066, C068)	09/96	-	20.64	Rear Axle Left	Cast Iron	FHW346
TWINGO (C06)	1.2 (C066, C068)	09/96	-	20.64	Rear Axle Right	Cast Iron	FHW347
TWINGO (C06)	1.2 (C067)	-	-	20.64	Rear Axle Left	Cast Iron	FHW084
TWINGO (C06)	1.2 (C067)	-	-	20.64	Rear Axle Right	Cast Iron	FHW085
TWINGO (C06)	1.2 16V (C06C, C06D, C06K)	-	-	17.46	Rear Axle	Cast Iron	FHW4018

ROVER

MINI	1.0	01/65	12/78	23.81	Front Axle Left	Cast Iron	FHW159
MINI	1.0	01/65	12/78	23.81	Front Axle Right	Cast Iron	FHW160

WHEEL BRAKE CYLINDER



21



Material



...ROVER

MINI	1.1	01/71	12/79	23.81	Front Axle Left	Cast Iron	FHW159
MINI	1.1	01/71	12/79	23.81	Front Axle Right	Cast Iron	FHW160
MINI	1.275	01/71	12/84	23.81	Front Axle Left	Cast Iron	FHW159
MINI	1.275	01/71	12/84	23.81	Front Axle Right	Cast Iron	FHW160
MINOR	1,0	01/62	12/71	23.81	Front Axle Left	Cast Iron	FHW4307
MINOR	1,0	01/62	12/71	23.81	Front Axle Right	Cast Iron	FHW4308
PICK-UP	All	01/69	12/78	23.81	Front Axle Left	Cast Iron	FHW159
PICK-UP	All	01/69	12/78	23.81	Front Axle Right	Cast Iron	FHW160
PICK-UP	All	01/78	12/80	23.81	Front Axle Left	Cast Iron	FHW159
PICK-UP	All	01/78	12/80	23.81	Front Axle Right	Cast Iron	FHW160

SAAB

95 Estate	1.5 V4	-	-	19.05	Rear Axle	Cast Iron	FHW161
96	1.5 V4	-	-	19.05	Rear Axle	Cast Iron	FHW161

SEAT

IBIZA (021A)	1.2	09/93	-	17.46	Rear Axle	Cast Iron	FHW4079
IBIZA (021A)	1.7 D	05/85	12/93	17.46	Rear Axle	Cast Iron	FHW156
IBIZA (021A)	1.7 D	-	-	19.05	Rear Axle	Cast Iron	FHW038
IBIZA MkII (6K1)	1.7 SDI	-	07/99	17.46	Rear Axle	Cast Iron	FHW010
IBIZA MkII (6K1)	1.7 SDI	-	07/99	17.46	Rear Axle	Aluminium	FHW429
IBIZA MkIII (6K1)	1.4 16V	-	12/02	19.05	Rear Axle	Cast Iron	FHW030
IBIZA MkIII (6K1)	1.4 16V	-	12/02	19.05	Rear Axle	Aluminium	FHW339
IBIZA MkIII (6K1)	1.4 16V	-	-	17.46	Rear Axle	Aluminium	FHW429
IBIZA MkIV (6L1)	1.8 T Cupra R	-	-	19.05	Rear Axle	Cast Iron	FHW030
IBIZA MkIV (6L1)	1.8 T Cupra R	-	-	19.05	Rear Axle	Aluminium	FHW339

SUBARU

IMPREZA Saloon (GC)	1.6 i	01/93	07/97	17.46	Rear Axle	Cast Iron	FHW4212
IMPREZA Saloon (GC)	1.8 i	01/93	07/95	19.05	Rear Axle	Cast Iron	FHW4252
LEGACY (BC)	1800	08/89	-	17.46	Rear Axle	Cast Iron	FHW4212
LEGACY MkII (BD,BG)	2.0 i	-	-	19.05	Rear Axle	Cast Iron	FHW4252
LEGACY MkII (BD,BG)	2.5 i	07/96	06/97	17.46	Rear Axle	Cast Iron	FHW4212
LEONE MkII	1800 CAT	-	-	17.46	Rear Axle	Aluminium	FHW4326
LEONE MkII	1800 CAT	-	-	19.05	Rear Axle	Aluminium	FHW4328

SUZUKI

ALTO MkII (EC)	0.8 (SB308/CA)	-	12/98	15.87	Rear Axle	Aluminium	FHW4124
ALTO MkII (EC)	0.8 (SB308/CA)	08/92	-	15.87	Rear Axle	Aluminium	FHW4238
ALTO MkIV (FF)	1.1	-	-	15.87	Rear Axle	Aluminium	FHW4036
SAMURAI (SJ)	1.0 (SJ 410)	09/89	-	22.22	Rear Axle	Cast Iron	FHW4127
SAMURAI (SJ)	1.0 (SJ 410)	-	-	22.22	Rear Axle Left	Aluminium	FHW4203
SAMURAI (SJ)	1.3 (SJ 413)	-	12/98	22.22	Rear Axle Left	Cast Iron	FHW129
SAMURAI (SJ)	1.3 (SJ 413)	-	12/98	22.22	Rear Axle Right	Cast Iron	FHW130
SAMURAI (SJ)	1.3 (SJ 413)	-	-	22.22	Rear Axle Left	Aluminium	FHW4186
SAMURAI (SJ)	1.3 (SJ 413)	-	-	22.22	Rear Axle Right	Aluminium	FHW4199
S-SERIES	All	01/82	12/88	22.22	Rear Axle Left	Aluminium	FHW4542
S-SERIES	All	01/82	12/88	22.22	Rear Axle Right	Aluminium	FHW4541
S-SERIES	All	01/83	12/89	22.22	Rear Axle Left	Aluminium	FHW4542
S-SERIES	All	01/83	12/89	22.22	Rear Axle Right	Aluminium	FHW4541
SWIFT (AA)	1.3 (SA413, AA53)	-	12/88	15.87	Rear Axle	Cast Iron	FHW4087
SWIFT (AA)	1.3 (SA413, AA53)	-	-	17.46	Rear Axle	Cast Iron	FHW4366

WHEEL BRAKE CYLINDER



21



Material



...SUZUKI

SWIFT MkII (AH,AJ)	1.3 (SF413, AH35, MA)	-	-	17.46	Rear Axle	Cast Iron	FHW4366
SWIFT MkII (AH,AJ)	1.6 i (SF416, AH14)	-	03/92	17.46	Rear Axle Left	Aluminium	FHW4112
SWIFT MkII (AH,AJ)	1.6 i (SF416, AH14)	-	03/92	17.46	Rear Axle Right	Aluminium	FHW4155
SWIFT MkII Hatchback (EA,MA)	1.0 (SF310, AA44)	-	-	15.87	Rear Axle	Cast Iron	FHW4087
SWIFT MkII Hatchback (EA,MA)	1.3 (SF413, AB35)	-	-	17.46	Rear Axle Left	Aluminium	FHW4112
SWIFT MkII Hatchback (EA,MA)	1.3 (SF413, AB35)	-	-	17.46	Rear Axle Right	Aluminium	FHW4155
VITARA (ET,TA)	1.6 (TA)	09/89	12/93	23.81	Rear Axle Left	Aluminium	FHW4159
VITARA (ET,TA)	1.6 (TA)	09/89	12/93	23.81	Rear Axle Right	Aluminium	FHW4200
VITARA (ET,TA)	1.6 (TA)	02/93	-	23.81	Rear Axle Left	Cast Iron	FHW4373
VITARA (ET,TA)	1.6 (TA)	02/93	-	23.81	Rear Axle Right	Cast Iron	FHW4374
VITARA (ET,TA)	1.9 D (ET)	-	-	22.22	Rear Axle	Cast Iron	FHW4050
VITARA (ET,TA)	2.0 TD Intercooler (ET)	01/96	-	22.22	Rear Axle Right	Cast Iron	FHW4213
VITARA (ET,TA)	2.0 TD Intercooler (ET)	01/96	-	22.22	Rear Axle Left	Cast Iron	FHW4214

TOYOTA

4RUNNER	3.0 Turbo-D	-	-	25.40	Rear Axle	Cast Iron	FHW4189
4RUNNER (N130)	2.7 i	-	-	25.40	Rear Axle	Cast Iron	FHW4189
4RUNNER (N130)	3.0 V6 (VZN 130)	-	-	22.22	Rear Axle	Cast Iron	FHW4240
4RUNNER (N130)	3.0 V6 (VZN 130)	-	-	23.81	Rear Axle	Cast Iron	FHW4371
AVENSIS (T22)	1.6 (AT220)	-	-	20.64	Rear Axle Right	Aluminium	FHW422
AVENSIS (T22)	1.6 (AT220)	-	-	20.64	Rear Axle Left	Aluminium	FHW423
AVENSIS (T22)	2.0 VVT-i	-	-	19.05	Rear Axle	Cast Iron	FHW4335
AVENSIS (T25)	2.0 D-4D	-	-	19.05	Rear Axle	Cast Iron	FHW4335
AVENSIS VERSO (AC)	2.0 D-4D	-	-	19.05	Rear Axle	Cast Iron	FHW4335
CAMRY	2.0	01/92	-	22.20	Rear Axle	Cast Iron	FHW4552
CAMRY	All	01/01	12/08	20.64	Rear Axle Left	Cast Iron	FHW4528
CAMRY	All	01/01	12/08	20.64	Rear Axle Right	Cast Iron	FHW4527
CAMRY	All	01/91	-	20.64	Rear Axle Left	Cast Iron	FHW4528
CAMRY	All	01/91	-	20.64	Rear Axle Right	Cast Iron	FHW4527
CAMRY (V2)	1.8 i (SV20)	-	10/86	19.05	Rear Axle Right	Cast Iron	FHW176
CAMRY (V2)	1.8 i (SV20)	-	10/86	19.05	Rear Axle Left	Cast Iron	FHW177
CAMRY Saloon (V1)	1.8 Turbo-D	-	08/85	19.05	Rear Axle Right	Cast Iron	FHW176
CAMRY Saloon (V1)	1.8 Turbo-D	-	08/85	19.05	Rear Axle Left	Cast Iron	FHW177
CARINA (TA1)	1.6	-	-	19.05	Rear Axle	Cast Iron	FHW4316
CARINA (TA1)	1.6	-	-	19.05	Rear Axle	Cast Iron	FHW4223
CARINA (TA4L,TA6L)	1.8	08/81	-	19.05	Rear Axle	Cast Iron	FHW4316
CARINA (TA4L,TA6L)	1.8	08/81	-	19.05	Rear Axle	Cast Iron	FHW4223
CARINA (TA4L,TA6L)	1.6 (TA4L, TA60L)	08/81	-	20.64	Rear Axle	Cast Iron	FHW4317
CARINA E (T19)	1.6 16V	-	-	19.05	Rear Axle Right	Cast Iron	FHW4106
CARINA E (T19)	1.6 16V	-	-	19.05	Rear Axle Left	Cast Iron	FHW4111
CARINA E (T19)	1.6 16V	-	-	20.64	Rear Axle Left	Aluminium	FHW4179
CARINA E (T19)	1.6 16V	-	-	20.64	Rear Axle Right	Aluminium	FHW4180
CARINA E (T19)	1.6 16V	-	-	19.05	Rear Axle Left	Aluminium	FHW4247
CARINA E (T19)	1.6 16V	-	-	19.05	Rear Axle Right	Aluminium	FHW4334
CARINA MkII (T15)	2.0 D	01/87	-	19.05	Rear Axle Right	Cast Iron	FHW176
CARINA MkII (T15)	2.0 D	01/87	-	19.05	Rear Axle Left	Cast Iron	FHW177
CARINA MkII (T15)	2.0 D	-	03/92	19.05	Rear Axle Right	Cast Iron	FHW176
CARINA MkII (T15)	2.0 D	-	03/92	19.05	Rear Axle Left	Cast Iron	FHW177
CARINA MkII (T15)	2.0 D	02/92	-	19.05	Rear Axle Right	Cast Iron	FHW4106
CARINA MkII (T15)	2.0 D	02/92	-	19.05	Rear Axle Left	Cast Iron	FHW4111
CONQUEST/TAZZ	1.3	01/88	12/06	19.05	Rear Axle	Cast Iron	FHW4554
CONQUEST/TAZZ	1.6	01/84	12/95	19.05	Rear Axle	Cast Iron	FHW4554
COROLLA	1.3	01/80	12/96	19.05	Rear Axle	Cast Iron	FHW4554
COROLLA	1.3	01/80	12/96	22.22	Rear Axle	Cast Iron	FHW4553
COROLLA	1.6	01/80	12/88	19.05	Rear Axle	Cast Iron	FHW4554

WHEEL BRAKE CYLINDER



21



Material



...TOYOTA

COROLLA	1.6	01/80	12/88	22.22	Rear Axle	Cast Iron	FHW4553
COROLLA	1.6	01/89	12/96	19.05	Rear Axle	Cast Iron	FHW4554
COROLLA (E10)	1.3 12V (EE100)	-	-	17.46	Rear Axle Left	Cast Iron	FHW4068
COROLLA (E10)	1.3 12V (EE100)	-	-	17.46	Rear Axle Right	Cast Iron	FHW4092
COROLLA (E10)	1.3 XLI 16V (EE101)	-	-	19.05	Rear Axle Right	Cast Iron	FHW4106
COROLLA (E10)	1.3 XLI 16V (EE101)	-	-	19.05	Rear Axle Left	Cast Iron	FHW4111
COROLLA (E11)	1.6 (AE111)	-	-	19.05	Rear Axle Left	Aluminium	FHW4363
COROLLA (E11)	1.6 (AE111)	-	-	19.05	Rear Axle Right	Aluminium	FHW4364
COROLLA (E11)	2.0 D (CE110)	-	04/97	19.05	Rear Axle Right	Cast Iron	FHW4106
COROLLA (E11)	2.0 D (CE110)	-	04/97	19.05	Rear Axle Left	Cast Iron	FHW4111
COROLLA (E12U,E12J)	2.0 D-4D	-	-	19.05	Rear Axle	Cast Iron	FHW4335
COROLLA (E7)	1.3 (KE70)	-	-	20.64	Rear Axle	Cast Iron	FHW4317
COROLLA (E7)	1.6 (TE71)	05/83	-	17.46	Rear Axle Left	Cast Iron	FHW4068
COROLLA (E7)	1.6 (TE71)	05/83	-	17.46	Rear Axle Right	Cast Iron	FHW4092
COROLLA (E7)	1.6 (TE71)	-	-	20.64	Rear Axle	Cast Iron	FHW4217
COROLLA (E7)	1.8 D (CE70)	05/83	-	19.05	Rear Axle	Cast Iron	FHW4316
COROLLA (E7)	1.8 D (CE70)	05/83	-	19.05	Rear Axle Right	Cast Iron	FHW176
COROLLA (E7)	1.8 D (CE70)	05/83	-	19.05	Rear Axle Left	Cast Iron	FHW177
COROLLA (E7)	1.8 D (CE70)	05/83	-	19.05	Rear Axle	Cast Iron	FHW4223
COROLLA (E8)	1.3 (AE80)	-	04/84	20.64	Rear Axle	Cast Iron	FHW4317
COROLLA (E8)	1.6 (AE82)	-	06/84	20.64	Rear Axle	Cast Iron	FHW4217
COROLLA (E8)	1.6 (AE82)	-	-	17.46	Rear Axle Left	Cast Iron	FHW4068
COROLLA (E8)	1.6 (AE82)	-	-	17.46	Rear Axle Right	Cast Iron	FHW4092
COROLLA (E8)	1.6 (AE82)	-	-	19.05	Rear Axle Right	Cast Iron	FHW176
COROLLA (E8)	1.6 (AE82)	-	-	19.05	Rear Axle Left	Cast Iron	FHW177
COROLLA (E9)	1.6 (AE92)	10/87	-	19.05	Rear Axle	Cast Iron	FHW313
COROLLA (E9)	1.8 D	-	05/92	17.46	Rear Axle Left	Cast Iron	FHW4068
COROLLA (E9)	1.8 D	-	05/92	17.46	Rear Axle Right	Cast Iron	FHW4092
COROLLA (E9)	1.8 D	-	09/87	19.05	Rear Axle Right	Cast Iron	FHW176
COROLLA (E9)	1.8 D	-	09/87	19.05	Rear Axle Left	Cast Iron	FHW177
COROLLA FX Hatchback (E8B)	1.3	-	-	17.46	Rear Axle Left	Cast Iron	FHW4068
COROLLA FX Hatchback (E8B)	1.3	-	-	17.46	Rear Axle Right	Cast Iron	FHW4092
COROLLA FX Hatchback (E8B)	1.8 D	-	-	19.05	Rear Axle Right	Cast Iron	FHW176
COROLLA FX Hatchback (E8B)	1.8 D	-	-	19.05	Rear Axle Left	Cast Iron	FHW177
COROLLA Hatchback (E10)	1.3 12V (EE100)	-	-	17.46	Rear Axle Left	Cast Iron	FHW4068
COROLLA Hatchback (E10)	1.3 12V (EE100)	-	-	17.46	Rear Axle Right	Cast Iron	FHW4092
COROLLA Hatchback (E10)	1.3 XLI 16V (EE101)	-	-	19.05	Rear Axle Right	Cast Iron	FHW4106
COROLLA Hatchback (E10)	1.3 XLI 16V (EE101)	-	-	19.05	Rear Axle Left	Cast Iron	FHW4111
COROLLA Hatchback (E11)	2.0 D (CE110)	-	04/97	19.05	Rear Axle Right	Cast Iron	FHW4106
COROLLA Hatchback (E11)	2.0 D (CE110)	-	04/97	19.05	Rear Axle Left	Cast Iron	FHW4111
COROLLA Hatchback (E11)	2.0 D (CE110)	-	-	19.05	Rear Axle Left	Aluminium	FHW4363
COROLLA Hatchback (E11)	2.0 D (CE110)	-	-	19.05	Rear Axle Right	Aluminium	FHW4364
COROLLA Hatchback (E7)	1.3 (KE70)	-	-	20.64	Rear Axle	Cast Iron	FHW4217
COROLLA Hatchback (E7)	1.6 (TE71)	01/80	04/82	20.64	Rear Axle	Cast Iron	FHW4317
COROLLA Hatchback (E7)	1.6 (TE71)	-	-	19.05	Rear Axle	Cast Iron	FHW4316
COROLLA Hatchback (E7)	1.6 (TE71)	-	-	19.05	Rear Axle	Cast Iron	FHW4223
COROLLA Hatchback (E8)	1.6 (AE82)	-	-	17.46	Rear Axle Left	Cast Iron	FHW4068
COROLLA Hatchback (E8)	1.6 (AE82)	-	-	17.46	Rear Axle Right	Cast Iron	FHW4092
COROLLA Hatchback (E8)	1.8 D	-	09/87	19.05	Rear Axle Right	Cast Iron	FHW176
COROLLA Hatchback (E8)	1.8 D	-	09/87	19.05	Rear Axle Left	Cast Iron	FHW177
COROLLA Hatchback (E8)	1.8 D (CE80)	-	05/84	19.05	Rear Axle	Cast Iron	FHW4316
COROLLA Hatchback (E8)	1.8 D (CE80)	-	05/84	19.05	Rear Axle	Cast Iron	FHW4223
COROLLA Hatchback (E9)	1.3 (EE90)	-	09/87	19.05	Rear Axle Right	Cast Iron	FHW176
COROLLA Hatchback (E9)	1.3 (EE90)	-	09/87	19.05	Rear Axle Left	Cast Iron	FHW177
COROLLA Hatchback (E9)	1.3 (EE90)	-	-	17.46	Rear Axle Left	Cast Iron	FHW4068
COROLLA Hatchback (E9)	1.3 (EE90)	-	-	17.46	Rear Axle Right	Cast Iron	FHW4092

WHEEL BRAKE CYLINDER



21



Material



...TOYOTA

COROLLA RWD	1.8	01/80	12/84	22.22	Rear Axle	Cast Iron	FHW4553
CORONA	All	01/72	12/76	22.22	Rear Axle	Cast Iron	FHW4544
CORONA Hatchback (TT)	1.8	08/79	-	19.05	Rear Axle	Cast Iron	FHW4316
CORONA Hatchback (TT)	1.8	08/79	-	19.05	Rear Axle	Cast Iron	FHW4223
CORONA Hatchback (TT)	1.8	01/80	-	20.64	Rear Axle	Cast Iron	FHW4317
CRESSIDA	1.8	01/81	12/89	22.22	Rear Axle	Cast Iron	FHW4553
CRESSIDA	2.0	01/78	12/93	22.22	Rear Axle	Cast Iron	FHW4553
CRESSIDA	2.4	01/87	12/93	22.22	Rear Axle	Cast Iron	FHW4553
CRESSIDA Saloon (RX3)	2.0 (RX30)	-	-	20.64	Rear Axle	Cast Iron	FHW4317
CRESSIDA Saloon (X6)	2.0 (RX60)	-	-	20.64	Rear Axle	Cast Iron	FHW4317
DYNA	3700D	01/95	12/03	30.16	Rear Axle Left	-	FHW4595
DYNA	3700D	01/95	12/03	30.16	Rear Axle Right	-	FHW4596
HI-ACE	1.6	01/77	12/83	23.81	Rear Axle	Cast Iron	FHW4559
HI-ACE	1.8	01/83	12/90	23.81	Rear Axle	Cast Iron	FHW4559
HI-ACE	2.0	01/77	12/86	23.81	Rear Axle	Cast Iron	FHW4559
HI-ACE	2.2	01/86	12/97	23.81	Rear Axle	Cast Iron	FHW4559
HIACE I Box (H)	1.6	-	-	19.05	Rear Axle	Cast Iron	FHW4177
HIACE I Box (H)	1.6	-	-	20.64	Rear Axle	Cast Iron	FHW4320
HIACE I Box (H)	1.6 (RH20-30)	-	-	20.64	Rear Axle	Cast Iron	FHW4320
HIACE II Box (H5)	1.8	-	08/86	20.64	Rear Axle	Cast Iron	FHW4320
HIACE II Box (H5)	1.8	-	-	23.81	Rear Axle	Cast Iron	FHW4246
HIACE II Box (H5)	1.8 (H5G)	-	08/86	20.64	Rear Axle	Cast Iron	FHW4320
HIACE II Box (H5)	2.4 D	08/87	08/89	25.40	Rear Axle	Cast Iron	FHW4189
HIACE II Box (H5)	2.4 D (H5G)	08/87	-	25.40	Rear Axle	Cast Iron	FHW4189
HIACE II Box (H5)	2.4 D (H5G)	-	-	23.81	Rear Axle	Cast Iron	FHW4246
HIACE III Box (H10)	2.0	-	-	20.64	Rear Axle	Cast Iron	FHW4320
HIACE III Box (H10)	2.4	-	-	22.22	Rear Axle	Cast Iron	FHW4240
HIACE III Box (H10)	2.4	-	-	23.81	Rear Axle	Cast Iron	FHW4246
HIACE III Box (H10)	2.4	-	-	23.81	Rear Axle	Cast Iron	FHW4371
HIACE III Box (H10)	2.4	-	-	22.22	Rear Axle	Cast Iron	FHW4240
HIACE III Box (H10)	2.4	-	-	23.81	Rear Axle	Cast Iron	FHW4371
HIACE III Box (H10)	2.0 (RZH102)	-	-	23.81	Rear Axle	Cast Iron	FHW4246
HIACE III Box (H10)	2.4 (RZH103)	08/93	-	25.40	Rear Axle	Cast Iron	FHW4189
HIACE IV Bus (H1,H2)	2.4 (RCH12, RCH22)	-	-	22.22	Rear Axle	Cast Iron	FHW4240
HIACE IV Bus (H1,H2)	2.4 (RCH18)	-	-	25.40	Rear Axle	Cast Iron	FHW4189
HIACE IV Bus (H1,H2)	2.4 (RCH18)	-	-	23.81	Rear Axle	Cast Iron	FHW4371
HI-LUX	1.6	01/68	12/95	23.81	Rear Axle	Cast Iron	FHW4559
HI-LUX	2.0	01/79	12/86	23.81	Rear Axle	Cast Iron	FHW4559
HI-LUX	2.2	01/79	12/94	23.81	Rear Axle	Cast Iron	FHW4559
HI-LUX	2.4	01/84	12/95	23.81	Rear Axle	Cast Iron	FHW4559
HILUX Pickup (N)	2.0	-	-	19.05	Rear Axle	Cast Iron	FHW4177
HILUX Pickup (N)	2.0	-	-	20.64	Rear Axle	Cast Iron	FHW4320
HILUX Pickup (N)	2.0	-	-	22.22	Rear Axle	Cast Iron	FHW4325
HILUX Pickup (N)	1.8 (YN85, YN90)	-	-	22.22	Rear Axle	Cast Iron	FHW4148
HILUX Pickup (N)	2.4 D	-	-	22.22	Rear Axle	Cast Iron	FHW4240
HILUX Pickup (N)	2.4 D	-	-	22.20	Rear Axle	Cast Iron	FHW4332
HILUX Pickup (N)	2.4 i	-	-	23.81	Rear Axle	Cast Iron	FHW4371
LANDCRUISER	3900 D HJ	01/71	12/85	28.6	Rear Axle Left	-	FHW4580
LANDCRUISER	3900 D HJ	01/71	12/85	28.6	Front Axle Left	-	FHW4582
LANDCRUISER	3900 D HJ	01/71	12/85	28.6	Front Axle Right	-	FHW4583
LANDCRUISER	3900 D HJ	01/71	12/85	28.6	Rear Axle Right	-	FHW4581
LANDCRUISER (J6)	4.0 (FJ62,G)	08/88	-	25.40	Rear Axle	Cast Iron	FHW4189
LANDCRUISER (J7)	2.4 (RJ70,, RJ73,)	-	-	23.81	Rear Axle	Cast Iron	FHW4246
LANDCRUISER (J7)	2.4 (RJ70,V, RJ73,V)	-	-	20.64	Rear Axle	Cast Iron	FHW4287
LANDCRUISER (J7)	2.4 D (LJ70)	-	-	23.81	Rear Axle	Cast Iron	FHW4176
LANDCRUISER (J7)	3.4 D (BJ70,V, BJ73,)	03/89	12/90	25.40	Rear Axle	Cast Iron	FHW4189

WHEEL BRAKE CYLINDER



21



Material



...TOYOTA

LANDCRUISER (J7)	3.4 TD (BJ71,V)	-	-	22.22	Rear Axle	Cast Iron	FHW4325
LANDCRUISER 80 (J8)	4.2 TD (HDJ80)	-	-	25.40	Rear Axle	Cast Iron	FHW4189
PREVIA (ACR3)	2.0 D-4D	-	-	19.05	Rear Axle	Cast Iron	FHW4335
PREVIA (TCR1,2)	2.4	-	06/95	22.22	Rear Axle	Cast Iron	FHW4241
QUANTUM	Quantum	01/05	-	22.22	Rear Axle	-	FHW4579
RAV4 (SXA1)	2.0 16V	-	-	17.46	Rear Axle	Cast Iron	FHW4123
RAV4 MkII (XA2)	2.0 D-4D	-	-	19.05	Rear Axle	Cast Iron	FHW4335
STALLION	All	01/87	12/91	22.22	Rear Axle	Cast Iron	FHW4544
STALLION	All	01/87	12/91	22.22	Rear Axle	Cast Iron	FHW4553
STOUT RK110	All	01/79	12/87	23.81	Rear Axle	Cast Iron	FHW4559
STOUT RK111	All	01/87	12/89	23.81	Rear Axle	Cast Iron	FHW4559
TUV	All	01/92	12/87	22.22	Rear Axle	Cast Iron	FHW4553
VENTURE	All	01/91	12/01	22.22	Rear Axle	Cast Iron	FHW4553
YARIS (CP10)	1.3 16V (NCP10)	-	-	17.46	Rear Axle Left	Cast Iron	FHW4096
YARIS (CP10)	1.3 16V (NCP10)	-	-	17.46	Rear Axle Right	Cast Iron	FHW4114
YARIS (CP10)	1.3 16V (NCP10)	-	-	17.46	Rear Axle Left	Cast Iron	FHW4166
YARIS (CP10)	1.3 16V (NCP10)	-	-	17.46	Rear Axle Right	Cast Iron	FHW4233
YARIS (CP10)	1.3 16V (NCP10)	-	-	19.05	Rear Axle	Aluminium	FHW450
YARIS VERSO (NC/LP2)	1.3 (NCP22)	-	-	17.46	Rear Axle Left	Cast Iron	FHW4166
YARIS VERSO (NC/LP2)	1.3 (NCP22)	-	-	17.46	Rear Axle Right	Cast Iron	FHW4233
YARIS VERSO (NC/LP2)	1.3 (NCP22)	-	-	19.05	Rear Axle Right	Cast Iron	FHW4263
YARIS VERSO (NC/LP2)	1.3 (NCP22)	-	-	19.05	Rear Axle Left	Cast Iron	FHW4264

TRIUMPH

1500	1.5 TC	-	-	17.80	Rear Axle	Aluminium	FHW4348
2500	2.5 S	-	-	17.46	Rear Axle	Cast Iron	FHW4310
2.5 PI MKI	2.5	-	-	17.46	Rear Axle	Cast Iron	FHW4310
2000 MKI	2.0	-	-	17.46	Rear Axle	Cast Iron	FHW4310
2000 MKII	2.0 TC	-	-	17.46	Rear Axle	Cast Iron	FHW4310
SPITFIRE	1.2 MK II	-	-	19.05	Rear Axle	Aluminium	FHW4347
SPITFIRE	1.5 MK IV	01/74	08/75	15.87	Rear Axle	Aluminium	FHW4244
SPITFIRE	1.5 MK IV	09/75	-	17.80	Rear Axle	Aluminium	FHW4257
TR7	2.0	-	-	19.05	Rear Axle	Cast Iron	FHW4298
TR7	2.0	-	-	17.46	Rear Axle	Cast Iron	FHW4299

VOLKSWAGEN

BEETLE	1.2	01/57	12/64	19.05	Rear Axle	Cast Iron	FHW4062
BEETLE	1.2	01/57	12/64	22.22	Front Axle	Cast Iron	FHW4022
BEETLE	1.2	01/64	12/71	17.46	Rear Axle	Cast Iron	FHW4013
BEETLE	1.2	01/64	12/71	19.05	Rear Axle	Cast Iron	FHW4062
BEETLE	1.2	01/64	12/71	22.22	Front Axle	Cast Iron	FHW4022
BEETLE	1.3	01/65	12/67	19.05	Rear Axle	Cast Iron	FHW4062
BEETLE	1.3	01/65	12/67	22.22	Front Axle	Cast Iron	FHW4022
BEETLE	1.3	01/67	12/79	17.46	Rear Axle	Cast Iron	FHW4013
BEETLE	1.3	01/67	12/79	22.22	Front Axle	Cast Iron	FHW4022
BEETLE	1.5	01/65	12/67	19.05	Rear Axle	Cast Iron	FHW4062
BEETLE	1.5	01/65	12/67	22.22	Front Axle	Cast Iron	FHW4022
BEETLE	1.5	01/67	12/72	17.46	Rear Axle	Cast Iron	FHW4013
BEETLE	1.5	01/67	12/72	19.05	Rear Axle	Cast Iron	FHW4062
BEETLE	1.5	01/67	12/72	22.22	Front Axle	Cast Iron	FHW4022
BEETLE	1.6	01/65	12/67	19.05	Rear Axle	Cast Iron	FHW4062
BEETLE	1.6	01/65	12/67	22.22	Front Axle	Cast Iron	FHW4022
BEETLE	1.6	01/67	12/79	17.46	Rear Axle	Cast Iron	FHW4013
BEETLE	1.6	01/67	12/79	19.05	Rear Axle	Cast Iron	FHW4062

WHEEL BRAKE CYLINDER



21



Material



...VOLKSWAGEN

BEETLE	1.6	01/67	12/79	22.22	Front Axle	Cast Iron	FHW4022
BEETLE TYPE1	1.2	01/57	12/64	19.05	Rear Axle	Cast Iron	FHW4063
CADDY (14)	1.6	08/83	-	17.46	Rear Axle	Cast Iron	FHW010
CADDY (14)	1.6	08/83	-	17.46	Rear Axle	Aluminium	FHW429
CADDY (14)	1.6	-	-	19.05	Rear Axle	Cast Iron	FHW030
CADDY (14)	1.6	-	-	19.05	Rear Axle	Aluminium	FHW339
CADDY MkII (9K9A)	1.9 TDI	-	-	20.64	Rear Axle	Cast Iron	FHW059
CADDY MkII (9K9A)	1.9 TDI	-	-	20.64	Rear Axle	Aluminium	FHW4004
CADDY MkII (9K9A)	75 1.6	06/96	-	22.22	Rear Axle	Cast Iron	FHW4137
CADDY MkII (9U7)	1.6	-	-	22.22	Rear Axle	Cast Iron	FHW308
CADDY MkII (9U7)	1.6	-	-	22.22	Rear Axle	Cast Iron	FHW4137
CADDY MkII (9U7)	1.9 D	-	-	20.64	Rear Axle	Cast Iron	FHW059
CADDY MkII (9U7)	1.9 D	-	-	20.64	Rear Axle	Aluminium	FHW4004
GOLF (17)	1.1	-	-	14.29	Rear Axle	Cast Iron	FHW004
GOLF (17)	1.1	-	-	25.40	Front Axle	Cast Iron	FHW4017
GOLF (17)	1.1	-	-	14.29	Rear Axle	Aluminium	FHW4099
GOLF (17)	1.5 D	-	-	17.46	Rear Axle	Cast Iron	FHW010
GOLF (17)	1.5 D	-	-	17.46	Rear Axle	Aluminium	FHW429
GOLF MkII (19E,1G1)	1.6	-	-	25.40	Front Axle	Cast Iron	FHW4017
GOLF MkII (19E,1G1)	1.8 i CAT	-	-	14.29	Rear Axle	Cast Iron	FHW004
GOLF MkII (19E,1G1)	1.8 i CAT	-	-	17.46	Rear Axle	Cast Iron	FHW010
GOLF MkII (19E,1G1)	1.8 i CAT	-	-	19.05	Rear Axle	Cast Iron	FHW030
GOLF MkII (19E,1G1)	1.8 i CAT	-	-	19.05	Rear Axle	Aluminium	FHW339
GOLF MkII (19E,1G1)	1.8 i CAT	-	-	14.29	Rear Axle	Aluminium	FHW4099
GOLF MkII (19E,1G1)	1.8 i CAT	-	-	17.46	Rear Axle	Aluminium	FHW429
GOLF MkIII (1H1)	1.8	-	-	15.87	Rear Axle	Cast Iron	FHW005
GOLF MkIII (1H1)	1.8	-	-	17.46	Rear Axle	Cast Iron	FHW010
GOLF MkIII (1H1)	1.8	-	-	19.05	Rear Axle	Cast Iron	FHW030
GOLF MkIII (1H1)	1.8	-	-	19.05	Rear Axle	Aluminium	FHW339
GOLF MkIII (1H1)	1.8	-	-	15.87	Rear Axle	Aluminium	FHW4033
GOLF MkIII (1H1)	1.8	-	-	17.46	Rear Axle	Aluminium	FHW429
GOLF MkIII (1H1)	1.8 (1HX1)	-	-	20.64	Rear Axle	Cast Iron	FHW059
GOLF MkIII (1H1)	1.8 (1HX1)	-	-	20.64	Rear Axle	Aluminium	FHW4004
GOLF MkIII (1H1)	1.9 TDI (1HX1)	-	-	22.20	Rear Axle	Cast Iron	FHW4278
JETTA (16)	1.6	-	07/83	14.29	Rear Axle	Cast Iron	FHW004
JETTA (16)	1.6	-	07/83	17.46	Rear Axle	Cast Iron	FHW010
JETTA (16)	1.6	-	07/83	14.29	Rear Axle	Aluminium	FHW4099
JETTA (16)	1.6	-	07/83	17.46	Rear Axle	Aluminium	FHW429
JETTA MkII (19E,1G2)	1.8	-	-	14.29	Rear Axle	Cast Iron	FHW004
JETTA MkII (19E,1G2)	1.8	-	-	17.46	Rear Axle	Cast Iron	FHW010
JETTA MkII (19E,1G2)	1.8	-	-	19.05	Rear Axle	Cast Iron	FHW030
JETTA MkII (19E,1G2)	1.8	-	-	19.05	Rear Axle	Aluminium	FHW339
JETTA MkII (19E,1G2)	1.8	-	-	14.29	Rear Axle	Aluminium	FHW4099
JETTA MkII (19E,1G2)	1.8	-	-	17.46	Rear Axle	Aluminium	FHW429
PASSAT (32)	1.6	09/75	-	14.29	Rear Axle	Cast Iron	FHW004
PASSAT (32)	1.6	09/75	-	17.46	Rear Axle	Cast Iron	FHW010
PASSAT (32)	1.6	09/75	-	14.29	Rear Axle	Aluminium	FHW4099
PASSAT (32)	1.6	09/75	-	17.46	Rear Axle	Aluminium	FHW429
PASSAT (32B)	1.8	-	-	15.87	Rear Axle	Cast Iron	FHW005
PASSAT (32B)	1.8	-	-	17.46	Rear Axle	Cast Iron	FHW010
PASSAT (32B)	1.8	-	-	15.87	Rear Axle	Aluminium	FHW4033
PASSAT (32B)	1.8	-	-	17.46	Rear Axle	Aluminium	FHW429
PASSAT (32B)	1.6 D	08/84	-	14.29	Rear Axle	Cast Iron	FHW004
PASSAT (32B)	1.6 D	08/84	-	14.29	Rear Axle	Aluminium	FHW4099
PASSAT (3A2,351)	1.6	04/88	-	19.05	Rear Axle	Cast Iron	FHW030
PASSAT (3A2,351)	1.6	04/88	-	19.05	Rear Axle	Aluminium	FHW339

WHEEL BRAKE CYLINDER



21



Material



...VOLKSWAGEN

PASSAT (3A2,35I)	1.6	-	-	20.64	Rear Axle	Cast Iron	FHW059
PASSAT (3A2,35I)	1.6	-	-	20.64	Rear Axle	Aluminium	FHW4004
PASSAT Saloon (32B)	1.8	-	-	15.87	Rear Axle	Cast Iron	FHW005
PASSAT Saloon (32B)	1.8	-	-	17.46	Rear Axle	Cast Iron	FHW010
PASSAT Saloon (32B)	1.8	-	-	15.87	Rear Axle	Aluminium	FHW4033
PASSAT Saloon (32B)	1.8	-	-	17.46	Rear Axle	Aluminium	FHW429
POLO (6N1)	1.6	-	09/99	17.46	Rear Axle	Cast Iron	FHW010
POLO (6N1)	1.6	-	09/99	17.46	Rear Axle	Aluminium	FHW429
POLO (6N2)	1.4 16V	-	-	19.05	Rear Axle	Cast Iron	FHW030
POLO (6N2)	1.4 16V	-	-	19.05	Rear Axle	Aluminium	FHW339
POLO (6N2)	1.7 SDI	-	-	17.46	Rear Axle	Cast Iron	FHW010
POLO (6N2)	1.7 SDI	-	-	17.46	Rear Axle	Aluminium	FHW429
POLO (86)	800	-	-	14.29	Rear Axle	Cast Iron	FHW004
POLO (86)	800	-	-	17.46	Rear Axle	Cast Iron	FHW010
POLO (86)	800	-	-	14.29	Rear Axle	Aluminium	FHW4099
POLO (86)	800	-	-	17.46	Rear Axle	Aluminium	FHW429
POLO (86C,80)	1.3	-	-	14.29	Rear Axle	Cast Iron	FHW004
POLO (86C,80)	1.3	-	-	15.87	Rear Axle	Cast Iron	FHW005
POLO (86C,80)	1.3	-	-	17.46	Rear Axle	Cast Iron	FHW010
POLO (86C,80)	1.3	-	-	19.05	Rear Axle	Cast Iron	FHW030
POLO (86C,80)	1.3	-	-	19.05	Rear Axle	Aluminium	FHW339
POLO (86C,80)	1.3	-	-	15.87	Rear Axle	Aluminium	FHW4033
POLO (86C,80)	1.3	-	-	14.29	Rear Axle	Aluminium	FHW4099
POLO (86C,80)	1.3	-	-	17.46	Rear Axle	Aluminium	FHW429
POLO (86C,80)	1.3 D	-	-	25.40	Front Axle	Cast Iron	FHW4017
POLO (9N)	1.4 FSI	-	-	17.46	Rear Axle	Aluminium	FHW429
POLO Saloon	1.4 TDI	-	-	17.46	Rear Axle	Aluminium	FHW429
POLO Saloon (6KV2)	1.4	-	-	17.46	Rear Axle	Cast Iron	FHW010
POLO Saloon (6KV2)	1.4	-	-	17.46	Rear Axle	Aluminium	FHW429
POLO Saloon (6KV2)	1.9 SDI	-	-	19.05	Rear Axle	Cast Iron	FHW030
POLO Saloon (6KV2)	1.9 SDI	-	-	19.05	Rear Axle	Aluminium	FHW339
POLO Saloon (86C,80)	1.0	-	-	14.29	Rear Axle	Cast Iron	FHW004
POLO Saloon (86C,80)	1.0	-	-	15.87	Rear Axle	Cast Iron	FHW005
POLO Saloon (86C,80)	1.0	-	-	17.46	Rear Axle	Cast Iron	FHW010
POLO Saloon (86C,80)	1.0	-	-	19.05	Rear Axle	Cast Iron	FHW030
POLO Saloon (86C,80)	1.0	-	-	19.05	Rear Axle	Aluminium	FHW339
POLO Saloon (86C,80)	1.0	-	-	15.87	Rear Axle	Aluminium	FHW4033
POLO Saloon (86C,80)	1.3 CAT	-	-	14.29	Rear Axle	Aluminium	FHW4099
POLO Saloon (86C,80)	1.3 CAT	-	-	17.46	Rear Axle	Aluminium	FHW429
SCIROCCO (53)	1.3	-	-	17.80	Rear Axle	Aluminium	FHW4257
SCIROCCO (53)	1.5	-	-	14.29	Rear Axle	Cast Iron	FHW004
SCIROCCO (53)	1.5	-	-	17.46	Rear Axle	Cast Iron	FHW010
SCIROCCO (53)	1.5	-	-	14.29	Rear Axle	Aluminium	FHW4099
SCIROCCO (53)	1.5	-	-	17.46	Rear Axle	Aluminium	FHW429
SCIROCCO (53B)	1.3	-	-	17.80	Rear Axle	Aluminium	FHW4257
SCIROCCO (53B)	1.8	-	-	14.29	Rear Axle	Cast Iron	FHW004
SCIROCCO (53B)	1.8	-	-	17.46	Rear Axle	Cast Iron	FHW010
SCIROCCO (53B)	1.8	-	-	14.29	Rear Axle	Aluminium	FHW4099
SCIROCCO (53B)	1.8	-	-	17.46	Rear Axle	Aluminium	FHW429
TRANSPORTER	1600	01/95	-	22.22	Rear Axle	-	FHW4578
TRANSPORTER MkII Bus	1.7	-	-	23.81	Rear Axle	Cast Iron	FHW216
TRANSPORTER MkIII Bus	2.1	-	-	23.81	Rear Axle	Cast Iron	FHW216
TRANSPORTER MkIV Bus (70XB,70XC,7DB,7DW)	2.5	-	-	20.64	Rear Axle	Cast Iron	FHW4003
TRANSPORTER MkIV Bus (70XB,70XC,7DB,7DW)	2.5	-	-	19.05	Rear Axle	Cast Iron	FHW4098
VARIANT	All	01/64	12/65	22.22	Front Axle	Cast Iron	FHW4022
VENTO (1H2)	1.9 SDI	-	-	17.46	Rear Axle	Cast Iron	FHW010

WHEEL BRAKE CYLINDER



21



Material



...VOLKSWAGEN

VENTO (1H2)	1.9 SDI	-	-	17.46	Rear Axle	Aluminium	FHW429
VENTO (1H2)	1.9 TD	-	-	15.87	Rear Axle	Cast Iron	FHW005
VENTO (1H2)	1.9 TDI	-	-	19.05	Rear Axle	Cast Iron	FHW030
VENTO (1H2)	1.9 TDI	-	-	19.05	Rear Axle	Aluminium	FHW339

VOLVO

340-360 (343,345)	2.0	-	-	20.64	Rear Axle	Cast Iron	FHW100
340-360 (343,345)	1.6 Diesel	-	08/90	19.05	Rear Axle	Cast Iron	FHW026
440K (445)	2.0	12/93	03/96	20.64	Rear Axle Left	Cast Iron	FHW219
440K (445)	2.0	12/93	03/96	20.64	Rear Axle Right	Cast Iron	FHW220
460L (464)	1.9 Turbo-Diesel	-	-	20.64	Rear Axle Right	Cast Iron	FHW219
460L (464)	1.9 Turbo-Diesel	-	-	20.64	Rear Axle Right	Cast Iron	FHW220
480E	1.7	-	-	25.40	Front Axle	Cast Iron	FHW4017

MASTER CYLINDER BRAKE



21



Material



ALFA ROMEO

33 (905)	1.7	03/88	08/89	20.64	Cast Iron	FHM638
33 (905)	1.5 (905.A2)	-	12/86	20.64	Cast Iron	FHM1091
33 (907A)	1.8 TD (907A5)	-	08/94	20.64	Cast Iron	FHM638
75 (162B)	2.0 TD (162.BD, 162.BG)	09/85	03/92	22.22	Cast Iron	FHM596
90 (162)	2.0 i.e.	-	-	22.22	Cast Iron	FHM596
1750-2000	2000 (105)	-	-	22.22	Cast Iron	FHM596
155 (167)	2.0 16V Turbo (167.A2B, 167.A2C, 167.A2E)	-	-	22.22	Cast Iron	FHM677
156 (932)	1.9 JTD (932B2)	-	-	20.64	Cast Iron	FHM815
164 (164)	2.5 TD (164.A1A)	-	-	22.22	Cast Iron	FHM1060
166 (936)	2.4 JTD	-	-	25.40	Aluminium	FHM1110
ALFASUD (901)	1.5 ti Sprint	-	-	20.64	Cast Iron	FHM1091
ALFETTA (116)	2.4 TD (116.B3)	10/83	09/84	22.22	Cast Iron	FHM596
GIULIA	1600 Super (105,14)	-	-	22.22	Cast Iron	FHM596
GIULIETTA (116)	1.8 (116.AA, 116.AB)	-	-	22.22	Cast Iron	FHM596
GTV (116)	2.0	11/80	-	22.22	Cast Iron	FHM596
GTV (916C)	2.0 T.SPARK 16V (916C2C)	-	-	22.20	Cast Iron	FHM1132
GTV (916C)	2.0 T.SPARK 16V (916C2C)	-	-	22.22	Cast Iron	FHM679
SPIDER (916S)	3.0 V6 (916S1)	-	-	22.22	Cast Iron	FHM679

AUDI

80 (80,82,B1)	1.5	-	-	20.64	Cast Iron	FHM1006
80 (80,82,B1)	1.5	-	-	20.64	Cast Iron	FHM576
80 (81,85,B2)	1.6	09/78	-	20.64	Cast Iron	FHM576
80 (81,85,B2)	1.6 GLE	-	07/81	20.64	Cast Iron	FHM1006
80 (81,85,B2)	1.8 GTE	-	-	20.64	Cast Iron	FHM1264
80 (89,89Q,8A,B3)	2.0 E 16V	-	-	23.81	Aluminium	FHM684
80 (8C,B4)	2.0	-	-	23.81	Cast Iron	FHM683
90 (81,85,B2)	2.2	-	-	22.22	Cast Iron	FHM607
90 (89,89Q,8A,B3)	2.2 E	-	-	22.22	Cast Iron	FHM607
90 (89,89Q,8A,B3)	2.3 E 20V	-	07/89	25.40	Cast Iron	FHM1200
100 (44,44Q,C3)	2.0 D	-	12/87	20.64	Cast Iron	FHM1259
100 (44,44Q,C3)	2.0 D	01/88	-	22.22	Cast Iron	FHM607
100 (44,44Q,C3)	2.4 D	-	12/90	22.22	Aluminium	FHM682
100 (4A,C4)	2.6	-	-	23.81	Cast Iron	FHM683
100 (4A,C4)	2.6	-	-	23.81	Aluminium	FHM684
200 (44,44Q)	2.3	-	12/88	23.81	Aluminium	FHM612
200 (44,44Q)	2.2 Turbo	-	-	25.40	Cast Iron	FHM1200
A4 (8D2,B5)	2.4	02/99	-	25.40	Cast Iron	FHM1123
A4 (8D2,B5)	1.9 TDI	03/96	01/99	23.81	Cast Iron	FHM685
A4 (8D2,B5)	1.9 TDI	-	12/98	23.81	Cast Iron	FHM1100
A6 (4A,C4)	2.0	-	06/95	23.81	Cast Iron	FHM683
A6 (4A,C4)	2.0	-	06/95	23.81	Aluminium	FHM684
A6 (4A,C4)	2.0	-	-	22.22	Aluminium	FHM682
A6 (4B,C5)	2.4	04/97	-	23.81	Cast Iron	FHM685
A6 (4B,C5)	2.7 T	03/98	06/99	25.40	Cast Iron	FHM1123
A8 (4D2,4D8)	2.8	04/94	-	25.40	Cast Iron	FHM1123
A8 (4D2,4D8)	2.8	06/94	-	25.40	Aluminium	FHM1050
CABRIOLET (8G7,B4)	2.0 E	-	-	22.22	Cast Iron	FHM607
CABRIOLET (8G7,B4)	2.0 E	-	-	22.22	Aluminium	FHM682
COUPE (81,85)	1.6	02/81	-	20.64	Cast Iron	FHM576
COUPE (81,85)	1.8 GT	-	-	20.64	Cast Iron	FHM1264
COUPE (81,85)	2.1 GT	-	-	22.22	Cast Iron	FHM607
COUPE (89,8B)	2.3 20V	-	-	25.40	Cast Iron	FHM1200
QUATTRO (85)	2.2 Turbo	-	-	23.81	Aluminium	FHM612

MASTER CYLINDER BRAKE



21



Material



BMW						
3 (E30)	324 d	-	12/87	20.64	Cast Iron	FHM1263
3 (E30)	324 td	-	-	22.22	Cast Iron	FHM686
3 (E36)	316 i	-	-	19.05	Aluminium	FHM681
3 (E36)	M3 3.2	-	-	20.64	Aluminium	FHM1061
3Convertible (E30)	320 i	-	12/92	22.22	Cast Iron	FHM686
3Convertible (E36)	M3 3.2	-	-	20.64	Aluminium	FHM1061
3Coupe (E36)	M3 3.2	-	-	20.64	Aluminium	FHM1061
5 (E34)	525 i	-	-	25.40	Aluminium	FHM1107
5 (E34)	525 tds	-	-	20.64	Aluminium	FHM1061
5 (E39)	523 i	-	-	25.40	Aluminium	FHM1129
5 (E39)	523 i	-	-	25.40	Aluminium	FHM1143
7 (E32)	730 i,iL	03/88	06/94	25.40	Aluminium	FHM1107
7 (E38)	730 d	-	-	25.40	Aluminium	FHM1129
7 (E38)	730 d	-	-	25.40	Aluminium	FHM1143
X5 (E53)	3.0 i	-	-	25.40	Aluminium	FHM1097
X5 (E53)	3.0 i	-	-	25.40	Aluminium	FHM1143
Z1	2.5	07/88	-	22.22	Cast Iron	FHM686
Z3	3.2 M	-	-	20.64	Aluminium	FHM1061
Z3 Coupe	3.2 M	-	-	20.64	Aluminium	FHM1061
C.A.M						
INYATHI		01/06	-	25.4	-	FHM1419
CITROEN						
2CV	400	07/70	-	19.05	Cast Iron	FHM1013
2CV	600	07/76	06/79	20.64	Cast Iron	FHM1012
2CV	600	-	-	17.46	Cast Iron	FHM1008
BERLINGO (MF)	1.1 i (MFHDZ)	-	-	23.81	Cast Iron	FHM823
BERLINGO (MF)	1.6 16V (MFNFU)	-	11/02	23.81	Cast Iron	FHM1086
BERLINGO (MF)	1.6 16V (MFNFU)	12/00	-	23.81	Cast Iron	FHM1122
BERLINGO (MF)	1.6 16V (MFNFU)	12/00	-	23.81	Cast Iron	FHM1148
BERLINGOBox (M)	1.9 D	-	-	23.81	Cast Iron	FHM823
BERLINGOBox (M)	1.9 D 70 (MBWJZ, MCWJZ)	-	11/02	23.81	Cast Iron	FHM1086
BERLINGOBox (M)	1.9 D 70 (MBWJZ, MCWJZ)	-	-	23.81	Cast Iron	FHM1122
BERLINGOBox (M)	1.9 D 70 (MBWJZ, MCWJZ)	-	-	23.81	Cast Iron	FHM1148
C2 (JM)	1.4 HDi	-	-	22.20	Aluminium	FHM1225
C2 (JM)	1.4 HDi	-	-	20.64	Aluminium	FHM1226
C2 (JM)	1.4 HDi	-	-	22.20	Aluminium	FHM1227
C3 (FC)	1.4 16V HDi	-	-	22.20	Aluminium	FHM1225
C3 (FC)	1.4 16V HDi	-	-	20.64	Aluminium	FHM1226
C3 (FC)	1.4 16V HDi	-	-	22.20	Aluminium	FHM1227
C3Convertible (HB)	1.4	-	-	22.20	Aluminium	FHM1225
C3Convertible (HB)	1.4	-	-	20.64	Aluminium	FHM1226
C3Convertible (HB)	1.4	-	-	22.20	Aluminium	FHM1227
XSARA PICASSO (N68)	1.8 16V	-	-	23.81	Cast Iron	FHM1148
XSARA PICASSO (N68)	1.8 16V	-	-	23.81	Cast Iron	FHM1272
DAEWOO						
LANOS (KLAT)	1.4	-	-	20.64	Cast Iron	FHM1194
LANOS (KLAT)	1.6 16V	09/97	-	22.20	Cast Iron	FHM1191
LANOS (KLAT)	1.6 16V	09/97	-	22.20	Cast Iron	FHM1195
LANOS (KLAT)	1.6 16V	-	-	22.20	Cast Iron	FHM1205
MATIZ (KLYA)	800	-	-	20.64	Cast Iron	FHM1175

MASTER CYLINDER BRAKE



21



Material



..DAEWOO

MATIZ (KLYA)	800	-	-	20.64	Cast Iron	FHM1219
NUBIRA (KLAJ)	1.6 16V	09/97	-	22.20	Cast Iron	FHM1204
NUBIRA (KLAJ)	1.6 16V	09/97	-	22.20	Cast Iron	FHM1205

FIAT

126	600	-	-	19.05	Cast Iron	FHM1054
126	650	-	08/87	19.05	Cast Iron	FHM1031
127	1.0	-	-	19.05	Cast Iron	FHM1290
127	900	-	-	19.05	Cast Iron	FHM1023
127	1.3 Diesel	-	-	19.05	Cast Iron	FHM1066
127	1.3 Sport	-	-	19.05	Cast Iron	FHM1187
128	1.1	01/76	08/81	19.05	Cast Iron	FHM1138
128	1.1	-	12/73	19.05	Cast Iron	FHM1032
128	1.1	06/73	12/80	19.05	Cast Iron	FHM1179
131	2.0 Racing	09/78	-	19.05	Cast Iron	FHM1089
132	1.6	-	08/77	19.05	Cast Iron	FHM1187
132	2.5 D	08/79	-	19.05	Cast Iron	FHM1186
500	500	-	11/72	19.05	Cast Iron	FHM1003
500	600	-	-	19.05	Cast Iron	FHM1022
600	600	-	-	25.40	Cast Iron	FHM1017
600	800 (D)	01/68	-	19.05	Cast Iron	FHM1026
850	800 Special (GB)	-	-	19.05	Cast Iron	FHM1018
CINQUECENTO (170)	700 (170AA)	02/92	-	19.05	Cast Iron	FHM655
MULTIPLA (186)	1.9 JTD 115	-	-	20.64	Cast Iron	FHM667
PALIO (178BX)	1.2	-	-	20.64	Cast Iron	FHM1084
PALIO (178BX)	1.6 16V	10/97	-	22.22	Cast Iron	FHM1268
PALIO (178BX)	1.6 16V	10/97	-	22.22	Cast Iron	FHM665
PALIO Estate (178DX)	1.2 (178DYA1A)	-	-	20.64	Cast Iron	FHM1084
PALIO Estate (178DX)	1.6 16V (178DYC1A06)	-	-	22.22	Cast Iron	FHM1268
PALIO Estate (178DX)	1.6 16V (178DYC1A06)	-	-	22.22	Cast Iron	FHM665
PANDA (141A)	650	-	02/86	19.05	Cast Iron	FHM1009
PANDA (141A)	650	-	02/86	19.05	Cast Iron	FHM1029
PANDA (169)	1.3 D Multijet	09/03	-	20.60	Cast Iron	FHM1111
PUNTO (176)	1.4 GT Turbo	-	-	22.20	Cast Iron	FHM1132
PUNTO (176)	1.4 GT Turbo	-	-	22.22	Cast Iron	FHM662
PUNTO (176)	55 1.1	11/93	-	20.64	Cast Iron	FHM658
PUNTO (188)	1.2 60 (188.030, .050, .130, .150, .230, .250)	-	-	20.64	Cast Iron	FHM1037
PUNTO (188)	1.8 130 HGT (188.738, .718)	10/99	06/03	20.64	Cast Iron	FHM1065
PUNTO (188)	1.8 130 HGT (188.738, .718)	-	-	22.00	Cast Iron	FHM1053
SEICENTO (187)	1.1 (187AXB, 187AXB1A)	04/98	-	19.05	Cast Iron	FHM655
STILO (192)	1.9 JTD (192, XE1A)	-	12/03	22.20	Cast Iron	FHM1069
STILO (192)	2.4 20V (192, XD1A)	-	12/03	23.81	Aluminium	FHM1064
STILO (192)	2.4 20V (192, XD1A)	-	12/03	22.20	Cast Iron	FHM1070
STRADA (178E)	1.2	-	-	22.22	Cast Iron	FHM1268
STRADA (178E)	1.2	-	-	22.22	Cast Iron	FHM665
UNO (146A/E)	1.4 Turbo i.e.	10/89	-	22.22	Cast Iron	FHM1085
UNO (146A/E)	45 0.9	-	06/83	19.05	Cast Iron	FHM1029
UNO (146A/E)	45 0.9	-	12/85	19.05	Cast Iron	FHM536
UNO (146A/E)	50 i.e. 1.1	-	-	20.64	Cast Iron	FHM1000
UNO (146A/E)	55 1.1	04/83	06/83	19.05	Cast Iron	FHM534
UNO (146A/E)	60 Diesel 1.7	10/87	-	20.64	Cast Iron	FHM657
UNO (146A/E)	75 i.e. 1.5	10/89	-	20.64	Cast Iron	FHM1036
X1/9 (128AS)	1.5 Five Speed	-	05/83	19.05	Cast Iron	FHM1291

MASTER CYLINDER BRAKE



21



Material



FORD

CORTINA (GBTS,GBFS,CBTS)	1.3	11/76	-	20.64	Cast Iron	FHM1185
CORTINA '80 (GBS,GBNS)	1.6	-	-	20.64	Cast Iron	FHM1185
COURIER Box (F3L,F5L)	1.8 D	-	02/94	22.22	Cast Iron	FHM695
COURIER Box (J5,J3)	1.3	-	12/00	23.81	Cast Iron	FHM1160
COURIER Box (J5,J3)	1.3	-	12/00	23.81	Cast Iron	FHM1278
COURIER Box (J5,J3)	1.8 DI	-	03/02	22.22	Cast Iron	FHM1042
COURIER Box (J5,J3)	1.8 DI	-	03/02	22.22	Cast Iron	FHM1078
COURIER Box (JV)	D 1.8	-	12/00	23.81	Cast Iron	FHM1160
COURIER Box (JV)	D 1.8	-	12/00	23.81	Cast Iron	FHM1278
ESCORT '91Box (AVL)	1.8 D	09/90	-	23.81	Aluminium	FHM646
ESCORT '95Box (AVL)	1.8 D	02/95	02/99	23.81	Aluminium	FHM690
ESCORT '95Box (AVL)	1.8 D	08/95	02/99	23.81	Aluminium	FHM691
ESCORT CLASSIC (AAL,ABL)	1.8 TD	-	02/99	23.81	Aluminium	FHM690
ESCORT CLASSIC (AAL,ABL)	1.8 TD	-	02/99	23.81	Aluminium	FHM691
ESCORT MkV (GAL)	1.6	09/90	-	23.81	Aluminium	FHM646
ESCORT MkV (GAL)	1.8 16V XR3i	-	-	25.40	Aluminium	FHM647
ESCORT MkVI (GAL)	1.8 i 16V	-	-	25.40	Aluminium	FHM647
ESCORT MkVII (GAL,AAL,ABL)	1.8 16V	08/95	-	23.81	Aluminium	FHM691
ESCORT MkVII (GAL,AAL,ABL)	1.8 16V	-	-	23.81	Aluminium	FHM690
F350	All	01/62	12/73	31.75	Cast Iron	FHM1410
FIESTA (GFBT)	1.1 (WFBT)	-	07/83	19.05	Cast Iron	FHM530
FIESTA (GFBT)	1.6 XR2	09/81	07/83	22.22	Cast Iron	FHM1164
FIESTA MkII (FBD)	1.0 (FBD)	-	-	20.64	Cast Iron	FHM1071
FIESTA MkII (FBD)	1.4 (FBD)	02/89	-	23.81	Cast Iron	FHM696
FIESTA MkII (FBD)	1.6 XR2 (FBD)	-	07/87	22.22	Cast Iron	FHM1240
FIESTA MkIII (GFJ)	1.4	05/91	01/94	20.64	Cast Iron	FHM693
FIESTA MkIII (GFJ)	1.4	05/89	04/91	20.64	Cast Iron	FHM574
FIESTA MkIII (GFJ)	1.4	02/94	-	20.64	Cast Iron	FHM1067
FIESTA MkIII (GFJ)	1.4	05/89	-	22.22	Cast Iron	FHM694
FIESTA MkIII (GFJ)	1.6	-	-	22.22	Cast Iron	FHM695
FIESTA MkIII (GFJ)	1.4 CAT	-	-	22.20	Cast Iron	FHM1275
FIESTA MkIII (GFJ)	1.6 i 16V	-	07/95	23.81	Cast Iron	FHM696
FIESTA MkIV (JA,JB)	1.3 i	01/96	-	22.22	Cast Iron	FHM1042
FIESTA MkIV (JA,JB)	1.3 i	01/96	-	22.22	Cast Iron	FHM1078
FIESTA MkIV (JA,JB)	1.4 i 16V	-	-	23.81	Cast Iron	FHM1276
FOCUS (DAW,DBW)	1.8 Turbo DI / TDDi	-	-	23.81	Aluminium	FHM1108
FOCUS Saloon (DFW)	1.8 Turbo DI / TDDi	-	-	23.81	Aluminium	FHM1108
KA (RB)	1.3 i	11/96	12/99	20.64	Cast Iron	FHM1082
MONDEO (GBP)	1.8 i 16V	01/96	-	25.40	Aluminium	FHM688
MONDEO (GBP)	2.5 i 24V	08/94	12/95	25.40	Aluminium	FHM689
MONDEO MkII (BAP)	1.6 i 16V	-	09/00	25.40	Aluminium	FHM688
MONDEO MkII (BAP)	2.5 24V	-	-	25.40	Aluminium	FHM689
ORION MkIII (GAL)	1.8 i 16V	-	-	23.81	Aluminium	FHM646
ORION MkIII (GAL)	1.8 i 16V	-	-	25.40	Aluminium	FHM647
SIERRA (GBG,GB4)	1.6	-	12/98	22.22	Cast Iron	FHM1239
SIERRA (GBG,GB4)	1.6 i	-	-	22.22	Cast Iron	FHM1242
SPECTRON	Spectron	01/87	12/97	22.22	-	FHM1415

HONDA

ACCORD	1.6	01/79	12/83	22.22	Aluminium	FHM1403
ACCORD (SJ,SY)	1.6 L/EX (SY)	-	-	20.64	Aluminium	FHM1246
ACCORD MkII (AC,AD)	1.6 EX (AC)	-	09/85	20.64	Aluminium	FHM1167
ACCORD MkIII (CA4,CA5)	2.0 EXi (CA5)	06/86	-	22.22	Aluminium	FHM1158
ACCORD MkIV (CB3,CB7)	2.0 16V (CB3)	-	-	23.81	Aluminium	FHM1155
ACCORD MkIV (CB3,CB7)	2.2 i 16V Automatik (CB7)	-	-	25.40	Aluminium	FHM1118

MASTER CYLINDER BRAKE



21



Material



...HONDA

CIVIC (SL)	1300 S	01/83	12/83	20.64	Aluminium	FHM1167
CIVIC (SL)	1300 S	-	-	20.64	Aluminium	FHM1246
CIVIC Hatchback (SB,SS)	1300 L (SS)	-	-	20.64	Aluminium	FHM1246
CIVIC II	1.5 GT	-	-	20.64	Aluminium	FHM1167
CIVIC MkII (AL,AJ,AG,AH)	1.5 GT (AH)	-	-	20.64	Aluminium	FHM1167
CIVIC MkII (AL,AJ,AG,AH)	1.5 GTi (AH)	09/87	-	22.22	Aluminium	FHM1247
CIVIC MkIII Hatchback (EC,ED,EE)	1.3 (EC8)	-	-	20.64	Aluminium	FHM1154
CIVIC MkIII Hatchback (EC,ED,EE)	1.5 i 16V (ED6)	-	-	22.22	Aluminium	FHM1247
CIVIC MkIII Hatchback (EC,ED,EE)	1.6 i 16V Vtec (EE9)	-	-	23.81	Aluminium	FHM1248
CIVIC MkIV (EG,EH)	1.5 i 16V (EG8)	-	09/95	20.64	Aluminium	FHM1153
CIVIC MkIV (EG,EH)	1.6 VTi (EG9)	-	-	22.22	Aluminium	FHM1247
CIVIC MkIV Hatchback (EG)	1.6 16V Vtec (EG5)	-	09/95	20.64	Aluminium	FHM1153
CIVIC MkIV Hatchback (EG)	1.6 VTi 16V (EG6)	-	-	22.22	Aluminium	FHM1247
CIVIC MkIV Hatchback (MA,MB)	1.4 i (MA8)	10/95	-	20.64	Cast Iron	FHM1222
CIVIC MkV (EJ9,EK3/4)	1.4 i (EJ9)	-	-	20.64	Cast Iron	FHM1222
CIVIC MkV (EJ9,EK3/4)	1.6 VTi (EK4)	-	-	22.22	Aluminium	FHM1247
CIVIC MkV Hatchback (EJ9,EK1/3/4)	1.4 i S (EJ9)	-	-	20.64	Cast Iron	FHM1222
CIVIC MkV Hatchback (EJ9,EK1/3/4)	1.6 VTi (EK4)	-	-	22.22	Aluminium	FHM1247
CIVIC MkV Hatchback (MB)	1.4 16V (MB2)	-	-	20.64	Cast Iron	FHM1222
CRX (AF,AS)	1.5 i (AF)	-	-	20.64	Aluminium	FHM1167
CRX MkII (ED,EE)	1.6 i 16V (ED9)	-	-	22.22	Aluminium	FHM1247
CRX MkII (ED,EE)	1.6 i 16V Vtec (EE8)	-	-	23.81	Aluminium	FHM1248
CRX MkIII (EH,EG)	1.6 i VTi (EG2)	07/95	-	22.22	Aluminium	FHM1247
JAZZ II (GD)	1.2	-	-	20.64	Aluminium	FHM1128
PRELUDE	1.8	01/83	12/87	22.22	Aluminium	FHM1403
PRELUDE Coupe (SN)	1.6	08/79	-	20.64	Aluminium	FHM1246
PRELUDE MkII (AB)	1.8 EX	-	12/85	20.64	Aluminium	FHM1167
PRELUDE MkIII (BA)	2.0 i EX 16V (BA2)	-	-	22.22	Aluminium	FHM1158
PRELUDE MkIV (BB)	2.0 i 16V (BB3)	-	-	23.81	Aluminium	FHM1155

ISUZU

KB	1.6	01/79	12/81	22.22	-	FHM1407
KB	1.6	01/81	12/84	22.22	-	FHM1407
KB	1.6	01/88	12/92	23.81	Aluminium	FHM1253
KB	1.6	01/91	12/94	23.81	Aluminium	FHM1253
KB	1.8	01/83	12/84	22.22	-	FHM1407
KB	1.8	01/81	12/89	22.22	-	FHM1407
KB	2.0	01/84	12/87	22.22	-	FHM1407
KB	2.0	01/88	12/92	23.81	Aluminium	FHM1253
KB	2.0	01/92	-	23.81	Aluminium	FHM1253
KB	2.0	-	-	23.81	Aluminium	FHM1253
KB	2.3	01/87	12/89	22.22	-	FHM1407
KB	2.3	01/88	12/91	23.81	Aluminium	FHM1253
KB	2.3	01/91	12/93	23.81	Aluminium	FHM1253
KB	2.6	01/88	12/92	23.81	Aluminium	FHM1253
KB	2.6	01/91	12/96	23.81	Aluminium	FHM1253
KB DIESEL	2.0	01/78	12/84	22.22	-	FHM1407
KB DIESEL	2.2	01/81	12/89	22.22	Cast Iron	FHM1407
KB DIESEL	2.5	01/87	12/92	22.22	-	FHM1407
KB DIESEL	2.5	01/87	12/92	23.81	Aluminium	FHM1253
KB DIESEL	2.5	01/91	12/97	23.81	Aluminium	FHM1253
KB DIESEL	2.8	01/88	12/94	23.81	Aluminium	FHM1253
RELAY	All	01/83	12/91	22.22	-	FHM1407
TROOPER (UBS)	2.2 D	-	-	22.22	Aluminium	FHM1176
TROOPER (UBS)	2.2 D	-	-	22.22	Aluminium	FHM1252

MASTER CYLINDER BRAKE



21



Material



...ISUZU

TROOPER OpenOff-RoadVehicle (UB)	2.2 D	-	-	22.22	Aluminium	FHM1252
TROOPER OpenOff-RoadVehicle (UB)	2.2 TD (UBS52)	-	-	22.22	Aluminium	FHM1176

KIA

PRIDE (DA)	1.3 16V	-	-	19.05	Cast Iron	FHM1149
------------	---------	---	---	-------	-----------	---------

LAND ROVER

88/109	2.3 (LR 88 OL, LR 109 OL)	10/83	-	25.40	Cast Iron	FHM1228
88/109 ClosedOff-RoadVehicle	2.3 (LR 88 OP, LR 109 OP)	10/83	-	25.40	Cast Iron	FHM1228
90/110 (DHMC)	2.5 TD	-	-	25.40	Cast Iron	FHM1228

MAZDA

323	2.0	01/88	12/96	22.22	Aluminium	FHM1401
323	1.3	01/81	12/86	20.64	Cast Iron	FHM1408
323	1.5	01/81	12/98	20.64	Cast Iron	FHM1408
626	1.6	01/95	12/03	22.22	Aluminium	FHM1401
323 FWD	1300	-	-	22.22	-	FHM1416
323 MIDGE	2.0	01/95	12/96	22.22	Aluminium	FHM1401
323FWD	1.6	01/88	12/95	22.22	Aluminium	FHM1401
B SERIES	1600	-	-	22.22	-	FHM1417
BANTAM	1.3	01/93	-	22.22	Aluminium	FHM1401
BANTAM	1.6	01/93	12/97	22.22	Aluminium	FHM1401
BANTAM SPORT	1.6	01/95	-	22.22	Aluminium	FHM1401
LASER	1.3	01/89	12/97	22.22	Aluminium	FHM1401
LASER	1.4	01/91	12/95	22.22	Aluminium	FHM1401
LASER	1.6	01/88	12/96	22.22	Aluminium	FHM1401
LASER	2.0	01/91	-	22.22	Aluminium	FHM1401
LASER DASH	1.3	01/95	-	22.22	Aluminium	FHM1401
METEOR	1.3	01/88	12/96	22.22	Aluminium	FHM1401
METEOR	1.4	01/88	12/92	22.22	Aluminium	FHM1401
METEOR	1.6	01/88	12/96	22.22	Aluminium	FHM1401
METEOR	2.0	01/88	12/92	22.22	Aluminium	FHM1401
RUSTLER	1.3	01/86	12/96	22.22	Aluminium	FHM1401

MERCEDES BENZ

A-CLASS (W168)	A 190 (168.032, 168.132)	05/99	-	22.22	Aluminium	FHM1159
C-CLASS (W202)	C 180 (202.018)	06/93	-	22.22	Aluminium	FHM503
C-CLASS (W202)	C 180 (202.018)	-	-	23.81	Aluminium	FHM1234
C-CLASS (W202)	C 180 (202.018)	-	-	23.81	Aluminium	FHM1273
C-CLASS (W202)	C 180 (202.018)	-	-	23.81	Aluminium	FHM508
E-CLASS (W124)	E 300 Turbo-D (124.133)	07/93	-	23.81	Aluminium	FHM1273
E-CLASS (W124)	E 300 Turbo-D (124.133)	07/93	-	23.81	Aluminium	FHM508
E-CLASS (W124)	E 420 (124.034)	07/93	-	25.40	Aluminium	FHM509
E-CLASS Coupe (C124)	E 200 (124.040)	07/93	-	23.81	Aluminium	FHM1273
E-CLASS Coupe (C124)	E 200 (124.040)	07/93	-	23.81	Aluminium	FHM508
E-CLASS Estate (S124)	E 280 T (124.088)	07/93	05/96	23.81	Aluminium	FHM1273
E-CLASS Estate (S124)	E 280 T (124.088)	07/93	05/96	23.81	Aluminium	FHM508
KOMBI Estate (S123)	240 TD	02/78	-	23.81	Cast Iron	FHM1007
KOMBI Estate (S124)	250 TD (124.185)	10/85	-	23.81	Aluminium	FHM1273
KOMBI Estate (S124)	250 TD (124.185)	10/85	-	23.81	Aluminium	FHM508
Saloon (W123)	230 E (123.223)	06/80	09/85	23.81	Cast Iron	FHM1007
Saloon (W123)	230 E (123.223)	-	-	25.40	Cast Iron	FHM507

MASTER CYLINDER BRAKE



21



Material



...MERCEDES BENZ

Saloon (W124)	220 E (124.022)	-	-	23.81	Aluminium	FHM1273
Saloon (W124)	220 E (124.022)	-	-	23.81	Aluminium	FHM508
Saloon (W124)	500 E (124.036)	-	-	25.40	Aluminium	FHM509
S-CLASS (W116)	280 SE,SEL (116.024)	-	04/80	23.81	Cast Iron	FHM1007
S-CLASS (W126)	280 SE,SEL (126.022, 126.023)	-	-	25.40	Cast Iron	FHM507
S-CLASS (W126)	500 SE,SEL	-	-	23.81	Cast Iron	FHM1007
S-CLASS (W126)	560 SE,SEL	07/88	-	25.40	Aluminium	FHM509
S-CLASS (W140)	S 280 (140.028)	07/93	-	25.40	Aluminium	FHM509
SL (R107)	280 SL (107.042)	-	-	23.81	Cast Iron	FHM1007
SL (R107)	280 SL (107.042)	-	-	25.40	Cast Iron	FHM507
SL (R107)	500 SL (107.046)	-	-	25.40	Aluminium	FHM509
SL (R129)	60 AMG (129.067)	-	-	25.40	Aluminium	FHM509
SL Coupe (C107)	350 SLC (107.023)	-	-	23.81	Cast Iron	FHM1007
SPRINTER 2+Bus (901,902)	214	-	-	20.64	Cast Iron	FHM1163
SPRINTER 2+Bus (901,902)	214 NGT	-	-	23.81	Cast Iron	FHM1005
SPRINTER 3+Bus (903)	314	-	-	20.64	Cast Iron	FHM1163
SPRINTER 3+Bus (903)	316 CDI	-	-	23.81	Cast Iron	FHM1005
VITO Box (638)	110 CDI 2.2 (638.094)	-	-	23.81	Cast Iron	FHM1127
VITO Bus (638)	110 TD 2.3 (638.174)	03/96	-	23.81	Cast Iron	FHM1127

MITSUBISHI

L200 (KT)	2.5 D (K64T)	02/97	-	23.81	Cast Iron	FHM1213
LANCER MkV (CB/D,A)	1.3 (CB1A)	-	-	20.64	Cast Iron	FHM1079

NISSAN

1200	1.2	01/85	-	20.64	Aluminium	FHM1405
300ZX (Z32)	3.0 Twin Turbo	-	-	26.99	Aluminium	FHM1249
B140	1.4	01/85	-	20.64	Aluminium	FHM1405
MICRA (K11)	1.3 i 16V	04/95	-	19.05	Cast Iron	FHM1059
PICKUP (720)	2.5 D	09/85	-	23.81	Aluminium	FHM1250
PICKUP (D21)	2.4 i 12V	-	-	23.81	Aluminium	FHM1250
PICKUP (D22)	2.5 D	-	-	23.81	Aluminium	FHM1250
PRIMERA (P10)	2.0 D	-	05/93	22.22	Cast Iron	FHM1157
PRIMERA (P10)	2.0 GT	09/94	09/94	25.40	Aluminium	FHM1156
PRIMERA (P10)	2.0 GT	04/95	-	23.81	Aluminium	FHM1251
PULSAR	All	01/83	12/91	19.05 / 23.81	Aluminium	FHM1404
SENTRA	Sentra	01/91	12/97	20.64	-	FHM1414
SKYLINE	2.0	01/82	12/92	23.81	Aluminium	FHM1411

OPEL

ASCONA B (81,86,87,88)	1.6 S	-	07/81	23.81	Cast Iron	FHM1270
ASCONA C (81,86,87,88)	1.3 N	-	07/83	20.64	Cast Iron	FHM541
ASCONA C (81,86,87,88)	1.3 S	-	-	20.64	Cast Iron	FHM560
ASCONA C (81,86,87,88)	2.0 i	-	-	20.64	Cast Iron	FHM567
ASCONA C Hatchback (84,89)	1.6 D	-	07/83	20.64	Cast Iron	FHM541
ASCONA C Hatchback (84,89)	1.6 i CAT	-	-	20.64	Cast Iron	FHM560
ASCONA C Hatchback (84,89)	2.0 i	-	-	20.64	Cast Iron	FHM567
ASTRA F (56,57)	1.4 i	10/91	-	20.64	Cast Iron	FHM1004
ASTRA F (56,57)	1.7 TD	-	-	20.64	Cast Iron	FHM1262
ASTRA F (56,57)	1.8 i 16V	-	01/98	22.22	Aluminium	FHM1126
ASTRA F (56,57)	1.8 i 16V	-	-	22.22	Cast Iron	FHM1040
ASTRA F (56,57)	1.8 i 16V	-	-	22.22	Aluminium	FHM1170
ASTRA F (56,57)	1.8 i 16V	-	-	22.22	Cast Iron	FHM606

MASTER CYLINDER BRAKE



21



Material



...OPEL

ASTRA F CLASSIC Hatchback	1.6 i	-	09/98	20.64	Cast Iron	FHM1004
ASTRA F CLASSIC Hatchback	1.6 i 16V	-	09/98	22.22	Cast Iron	FHM1040
ASTRA F CLASSIC Hatchback	1.6 i 16V	-	09/98	22.22	Aluminium	FHM1170
ASTRA F CLASSIC Hatchback	1.6 i 16V	-	09/98	22.22	Cast Iron	FHM606
ASTRA F Hatchback (53,54,58,59)	1.4	-	-	20.64	Cast Iron	FHM1004
ASTRA F Hatchback (53,54,58,59)	1.6	-	-	22.22	Cast Iron	FHM1040
ASTRA F Hatchback (53,54,58,59)	1.6	-	-	22.22	Aluminium	FHM1170
ASTRA F Hatchback (53,54,58,59)	1.6	-	-	20.64	Cast Iron	FHM1262
ASTRA F Hatchback (53,54,58,59)	1.6 i 16V	-	-	22.22	Cast Iron	FHM606
ASTRA F Hatchback (53,54,58,59)	2.0 i 16V	-	-	22.22	Aluminium	FHM1126
CORSA	1.0	01/94	12/00	20.64	Aluminium	FHM1402
CORSA	1.0	01/97	12/02	20.64	Aluminium	FHM1402
CORSA	1.0	01/99	12/02	20.64	Aluminium	FHM1402
CORSA A Box	1.0	01/88	-	20.64	Cast Iron	FHM1265
CORSA A Box	1.3	-	-	20.64	Cast Iron	FHM1076
CORSA A Box	1.3	-	-	20.64	Cast Iron	FHM1261
CORSA A Box	1.3	-	-	20.64	Cast Iron	FHM568
CORSA A Hatchback (93,94,98,99)	1.0	10/82	12/98	20.64	Aluminium	FHM558
CORSA A Hatchback (93,94,98,99)	1.0	01/88	-	20.64	Cast Iron	FHM1265
CORSA A Hatchback (93,94,98,99)	1.2	-	-	20.64	Cast Iron	FHM1076
CORSA A Hatchback (93,94,98,99)	1.2	-	-	20.64	Cast Iron	FHM1261
CORSA A Hatchback (93,94,98,99)	1.2	-	-	20.64	Cast Iron	FHM568
CORSA A Hatchback (93,94,98,99)	1.2 S	01/83	07/85	20.64	Cast Iron	FHM555
CORSA A Saloon (91,92,96,97)	1.0	01/83	07/85	20.64	Cast Iron	FHM555
CORSA A Saloon (91,92,96,97)	1.0	10/82	12/98	20.64	Aluminium	FHM558
CORSA A Saloon (91,92,96,97)	1.0	-	-	20.64	Cast Iron	FHM1076
CORSA A Saloon (91,92,96,97)	1.0	-	-	20.64	Cast Iron	FHM1261
CORSA A Saloon (91,92,96,97)	1.0	-	-	20.64	Cast Iron	FHM568
CORSA C (F08,F68)	1.4	-	-	22.00	Cast Iron	FHM1210
KADETT B	1.7	-	-	20.64	Cast Iron	FHM541
KADETT C	1.2 S	08/77	-	23.81	Cast Iron	FHM1270
KADETT C	1.2 S	08/77	-	20.64	Cast Iron	FHM537
KADETT C Hatchback	1.6 S	08/77	-	23.81	Cast Iron	FHM1270
KADETT C Hatchback	1.6 S	08/77	-	20.64	Cast Iron	FHM537
KADETT D (31-34,41-44)	1.2	08/84	-	20.64	Cast Iron	FHM557
KADETT D (31-34,41-44)	1.6 S	01/82	07/84	20.64	Cast Iron	FHM543
KADETT D (31-34,41-44)	1.6 S	-	-	20.64	Cast Iron	FHM541
KADETT E (39,49)	1.2	-	07/85	20.64	Cast Iron	FHM557
KADETT E (39,49)	1.8	-	-	22.22	Cast Iron	FHM1119
KADETT E (39,49)	1.3 i CAT	-	-	20.64	Cast Iron	FHM1004
KADETT E (39,49)	1.3 i CAT	-	-	22.22	Cast Iron	FHM1040
KADETT E (39,49)	1.3 i CAT	-	-	20.64	Cast Iron	FHM560
KADETT E (39,49)	1.3 i CAT	-	-	20.64	Cast Iron	FHM567
KADETT E (39,49)	1.3 i CAT	-	-	20.64	Cast Iron	FHM571
KADETT E (39,49)	1.3 S	-	-	20.64	Cast Iron	FHM556
KADETT E Hatchback (33,34,43,44)	1.2	-	07/85	20.64	Cast Iron	FHM557
KADETT E Hatchback (33,34,43,44)	1.3 S	-	-	20.64	Cast Iron	FHM556
KADETT E Hatchback (33,34,43,44)	1.8 GSI	-	-	22.22	Cast Iron	FHM1040
KADETT E Hatchback (33,34,43,44)	2.0 GSI CAT	-	-	20.64	Cast Iron	FHM1004
KADETT E Hatchback (33,34,43,44)	2.0 GSI CAT	-	-	22.22	Cast Iron	FHM1119
KADETT E Hatchback (33,34,43,44)	2.0 GSI CAT	-	-	20.64	Cast Iron	FHM560
KADETT E Hatchback (33,34,43,44)	2.0 GSI CAT	-	-	20.64	Cast Iron	FHM567
KADETT E Hatchback (33,34,43,44)	2.0 GSI CAT	-	-	20.64	Cast Iron	FHM571
REKORD D	1.7 S	01/74	-	20.64	Cast Iron	FHM1262
REKORD D	1.7 S	01/74	-	20.64	Cast Iron	FHM537
ZAFIRA (F75)	2.0 OPC	-	-	23.81	Cast Iron	FHM1019

MASTER CYLINDER BRAKE



21



Material



...OPEL

ZAFIRA (F75)	2.0 OPC	-	-	23.81	Cast Iron	FHM1095
--------------	---------	---	---	-------	-----------	---------

PEUGEOT

106 (1A,1C)	1.0	03/96	-	19.05	Cast Iron	FHM821
106 (1A,1C)	1.0	03/96	-	20.64	Cast Iron	FHM826
106 (1A,1C)	1.0	-	-	19.05	Cast Iron	FHM525
106 (1A,1C)	1.0	-	-	20.64	Cast Iron	FHM586
106 (1A,1C)	1.0	-	-	20.64	Cast Iron	FHM620
106 MkII (1)	1.1 i	-	-	20.64	Cast Iron	FHM1115
106 MkII (1)	1.5 D	-	-	19.05	Cast Iron	FHM821
106 MkII (1)	1.5 D	-	-	20.64	Cast Iron	FHM826
106 MkII (1)	1.6 S16	-	-	20.64	Aluminium	FHM1027
106 MkII (1)	1.6 S16	-	-	20.64	Aluminium	FHM1267
1007 (KM)	1.4	-	-	22.20	Aluminium	FHM1225
1007 (KM)	1.4	-	-	22.20	Aluminium	FHM1227
205 (741A/C)	1.1	-	08/85	19.05	Cast Iron	FHM1025
205 (741A/C)	1.3	09/87	-	20.64	Cast Iron	FHM1197
205 (741A/C)	1.3	09/87	-	19.05	Cast Iron	FHM525
205 (741A/C)	1.3	09/87	-	19.05	Cast Iron	FHM526
205 (741A/C)	1.3	09/87	-	20.64	Cast Iron	FHM585
205 (741A/C)	1.3	09/87	-	20.64	Cast Iron	FHM586
205 Convertible (741B,20D)	1.6 CTI	09/90	-	20.64	Cast Iron	FHM1197
205 Convertible (741B,20D)	1.6 CTI	09/90	-	19.05	Cast Iron	FHM525
205 Convertible (741B,20D)	1.6 CTI	09/90	-	19.05	Cast Iron	FHM526
205 Convertible (741B,20D)	1.6 CTI	09/90	-	20.64	Cast Iron	FHM585
205 Convertible (741B,20D)	1.6 CTI	09/90	-	20.64	Cast Iron	FHM586
205 Convertible (741B,20D)	1.6 CTI	09/90	-	20.64	Cast Iron	FHM620
206 Convertible (2D)	S16	-	-	22.22	Cast Iron	FHM1062
206 Estate (2E/K)	2.0 HDi	-	-	22.22	Cast Iron	FHM1062
206 Estate (2E/K)	2.0 HDi	-	-	20.64	Cast Iron	FHM1105
206 Hatchback (2A/C,T3E)	1.6 16V	-	-	22.22	Cast Iron	FHM1099
206 Hatchback (2A/C,T3E)	1.6 i	-	-	22.22	Cast Iron	FHM1062
206 Hatchback (2A/C,T3E)	1.6 i	-	-	20.64	Cast Iron	FHM1105
206 Hatchback (2A/C,T3E)	1.6 i	-	-	20.64	Cast Iron	FHM1130
206 MkII (20A/C)	1.0	09/90	12/97	20.64	Cast Iron	FHM1197
206 MkII (20A/C)	1.0	09/90	12/97	19.05	Cast Iron	FHM525
206 MkII (20A/C)	1.0	09/90	12/97	19.05	Cast Iron	FHM526
206 MkII (20A/C)	1.0	09/90	12/97	20.64	Cast Iron	FHM585
206 MkII (20A/C)	1.0	09/90	12/97	20.64	Cast Iron	FHM586
206 MkII (20A/C)	1.6 Aut.	09/90	12/97	20.64	Cast Iron	FHM620
306 (7B,N3,N5)	1.4 SL	10/94	-	19.05	Cast Iron	FHM622
306 (7B,N3,N5)	1.4 SL	-	-	20.64	Cast Iron	FHM1223
306 (7B,N3,N5)	1.9 D	05/00	-	23.81	Cast Iron	FHM1122
306 (7B,N3,N5)	1.9 D	11/98	-	20.64	Cast Iron	FHM1274
306 (7B,N3,N5)	1.9 D	-	-	20.64	Cast Iron	FHM620
306 (7B,N3,N5)	1.9 D	-	-	22.22	Cast Iron	FHM624
306 Convertible (7D,N3,N5)	1.6	-	-	20.64	Aluminium	FHM1027
306 Convertible (7D,N3,N5)	1.8 16V	-	-	20.64	Cast Iron	FHM620
306 Convertible (7D,N3,N5)	2.0 16V	05/00	-	23.81	Cast Iron	FHM1122
306 Convertible (7D,N3,N5)	2.0 16V	-	-	22.22	Cast Iron	FHM624
306 Hatchback (7A,7C,N3,N5)	1.1	01/94	04/97	19.05	Cast Iron	FHM622
306 Hatchback (7A,7C,N3,N5)	1.1	-	04/97	22.22	Cast Iron	FHM624
306 Hatchback (7A,7C,N3,N5)	1.1	01/94	-	20.64	Cast Iron	FHM620
306 Hatchback (7A,7C,N3,N5)	1.1	-	-	19.05	Cast Iron	FHM821
306 Hatchback (7A,7C,N3,N5)	1.4	03/97	-	20.64	Cast Iron	FHM1274

MASTER CYLINDER BRAKE



21



Material



...PEUGEOT

306 Hatchback (7A,7C,N3,N5)	1.4	05/97	-	20.64	Cast Iron	FHM1105
306 Hatchback (7A,7C,N3,N5)	1.4	05/00	-	23.81	Cast Iron	FHM1122
306 Hatchback (7A,7C,N3,N5)	1.6	-	-	20.64	Cast Iron	FHM623
306 Hatchback (7A,7C,N3,N5)	2.0 S16	03/97	-	23.81	Cast Iron	FHM1148
309 (10C,10A)	1.4	-	-	19.05	Cast Iron	FHM525
309 (10C,10A)	1.9 GTI	03/87	08/88	20.64	Cast Iron	FHM586
309 MkII (3C,3A)	1.4	-	12/92	19.05	Cast Iron	FHM525
309 MkII (3C,3A)	1.9	-	12/92	20.64	Cast Iron	FHM586
309 MkII (3C,3A)	1.9 GTI 16V	11/90	12/92	20.64	Cast Iron	FHM620
405 (15B)	1.9	09/87	08/92	20.64	Cast Iron	FHM625
405 (15B)	1.9 Injection	09/87	08/88	22.22	Cast Iron	FHM626
405 (15B)	1.9 Injection	09/87	08/88	20.64	Cast Iron	FHM627
405 Estate (15E)	1.6	10/89	-	20.64	Cast Iron	FHM627
405 Estate (15E)	1.6	-	-	20.64	Cast Iron	FHM625
405 Estate (15E)	1.9	-	-	22.22	Cast Iron	FHM626
405 MkII (4B)	1.4	09/92	-	20.64	Cast Iron	FHM625
405 MkII (4B)	1.9 TD	-	-	22.22	Cast Iron	FHM626
405 MkII (4B)	1.9 TD	-	-	20.64	Cast Iron	FHM627
405 MkII Estate (4E)	1.8	09/92	10/95	20.64	Cast Iron	FHM625
405 MkII Estate (4E)	1.9 D	09/92	10/95	22.22	Cast Iron	FHM626
405 MkII Estate (4E)	1.9 D	09/92	10/95	20.64	Cast Iron	FHM627
406 (8B)	1.8	-	-	23.81	Cast Iron	FHM663
406 (8B)	1.9 D	-	01/99	23.81	Cast Iron	FHM1283
406 (8B)	2.0 HDi 110	-	-	23.81	Aluminium	FHM1208
406 (8B)	2.0 HDi 110	-	-	23.81	Cast Iron	FHM827
406 (8B)	3.0 24V	01/97	-	23.81	Cast Iron	FHM823
406 Coupe (8C)	3.0 V6	-	-	23.81	Aluminium	FHM1208
406 Coupe (8C)	3.0 V6 24V	-	01/99	23.81	Cast Iron	FHM1283
406 Coupe (8C)	3.0 V6 24V	09/97	-	23.81	Cast Iron	FHM823
406 Coupe (8C)	3.0 V6 24V	09/97	-	23.81	Cast Iron	FHM827
406 Estate (8E/F)	1.8 16V	-	-	23.81	Aluminium	FHM1208
406 Estate (8E/F)	1.9 D	-	01/99	23.81	Cast Iron	FHM1283
406 Estate (8E/F)	2.0 HDi 110	-	-	23.81	Cast Iron	FHM827
406 Estate (8E/F)	2.1 TD 12V	03/97	-	23.81	Cast Iron	FHM823
BOXER Box (230L)	2.0 HDi	-	-	25.40	Cast Iron	FHM1113
BOXER Box (230L)	2.0 HDi	-	-	25.40	Cast Iron	FHM1235
BOXER Box (230L)	2.0 i	12/94	-	23.81	Cast Iron	FHM675
BOXER Box (230L)	2.0 i	-	-	25.40	Cast Iron	FHM672
BOXER Box (244)	2.0 HDi	-	-	25.40	Cast Iron	FHM1113
BOXER Box (244)	2.0 HDi	-	-	25.40	Cast Iron	FHM1235
BOXER Bus (230P)	1.9 D	12/94	-	23.81	Cast Iron	FHM675
BOXER Bus (230P)	2.5 D	-	12/94	22.22	Cast Iron	FHM1171
BOXER Bus (230P)	2.5 D	12/94	-	23.81	Cast Iron	FHM673
BOXER Bus (230P)	2.5 D	-	-	25.40	Cast Iron	FHM1277
BOXER Bus (230P)	2.8 HDi	-	-	25.40	Cast Iron	FHM1113
BOXER Bus (230P)	2.8 HDi	-	-	25.40	Cast Iron	FHM1235
BOXER Bus (244,Z)	2.0	-	-	25.40	Cast Iron	FHM1113
BOXER Bus (244,Z)	2.0	-	-	25.40	Cast Iron	FHM1235
EXPERT (224)	1.9 TD	04/99	-	22.22	Cast Iron	FHM1166
EXPERT (224)	1.9 TD	04/99	-	22.22	Cast Iron	FHM661
EXPERT (224)	1.9 TD	-	-	23.81	Cast Iron	FHM663
EXPERT (224)	1.9 TD	-	-	23.81	Cast Iron	FHM664
EXPERT (224)	2.0 HDi	-	-	23.81	Aluminium	FHM1286
EXPERT Van (222)	1.9 TD	04/99	-	22.22	Cast Iron	FHM1166
EXPERT Van (222)	1.9 TD	04/99	-	22.22	Cast Iron	FHM661
EXPERT Van (222)	1.9 TD	-	-	23.81	Cast Iron	FHM663

MASTER CYLINDER BRAKE



21



Material



...PEUGEOT

EXPERT Van (222)	1.9 TD	-	-	23.81	Cast Iron	FHM664
J5 Bus (280P)	2.0	-	07/90	22.22	Cast Iron	FHM1016
J5 Bus (280P)	2.0	-	07/90	22.22	Cast Iron	FHM1052
J7 Bus	1.8	10/75	12/80	25.40	Cast Iron	FHM1024
J9 Bus	2.5 D	-	-	25.40	Cast Iron	FHM1024
PARTNER (5F)	1.1	-	-	23.81	Cast Iron	FHM823
PARTNER (5F)	1.8	-	-	23.81	Cast Iron	FHM1074
PARTNER (5F)	1.9 D	-	06/00	23.81	Cast Iron	FHM1086
PARTNER (5F)	1.9 D	06/00	-	23.81	Cast Iron	FHM1122
PARTNER (5F)	1.9 D	06/00	-	23.81	Cast Iron	FHM1148

PORSCHE

911 (996)	3.4 Carrera	-	-	23.81	Cast Iron	FHM685
911 Convertible (996)	3.6 Carrera	-	-	23.81	Cast Iron	FHM685
BOXSTER (986)	S 3,2	-	-	23.81	Cast Iron	FHM685

RENAULT

5 (122)	0.8 (1221, 1391, 1220)	-	01/82	19.05	Cast Iron	FHM528
5 (122)	0.8 (1221, 1391, 1220)	-	12/81	20.64	Cast Iron	FHM1182
5 (122)	1.0 (1222, 1392)	-	-	19.05	Cast Iron	FHM1168
5 (122)	1.1 (1227, 1397)	-	12/84	19.05	Cast Iron	FHM1092
5 (122)	1.1 (1227, 1397)	-	-	19.05	Cast Iron	FHM1177
5 (122)	1.4 Automatik (1229, 1399)	-	-	19.05	Cast Iron	FHM519
5 (122)	1.4 Automatik (1229, 1399)	-	-	19.05	Cast Iron	FHM527
17	1.6	01/76	12/77	19.05	Cast Iron	FHM527
11 (B/C37)	1.4 Turbo (B/C375)	-	-	19.05	Cast Iron	FHM525
11 (B/C37)	1.7 (B/C37E)	-	-	19.05	Cast Iron	FHM1025
14 (121)	1.4 (1213)	01/82	-	19.05	Cast Iron	FHM519
14 (121)	1.4 (1213)	01/82	-	19.05	Cast Iron	FHM527
15 (130)	1.3 (1300)	-	12/79	19.05	Cast Iron	FHM519
15 (130)	1.3 (1300)	-	-	19.05	Cast Iron	FHM527
16 (115)	1.6 TL (1152, 1153, 1157)	-	-	19.05	Cast Iron	FHM1168
16 (115)	1.6 TX (1156)	09/77	06/80	19.05	Cast Iron	FHM527
18 (134)	1.6 (1341)	-	-	19.05	Cast Iron	FHM527
18 (134)	2.0 (1343)	06/82	-	20.64	Cast Iron	FHM589
18 (134)	2.1 Diesel (1344)	-	-	19.05	Cast Iron	FHM1025
18 (134)	2.1 Diesel (1344)	-	-	19.05	Cast Iron	FHM519
19 (B/C53)	1.4 (B/C532) CAT	02/92	-	20.64	Cast Iron	FHM585
19 (B/C53)	1.4 (B/C532) CAT	02/92	-	20.64	Cast Iron	FHM586
19 (B/C53)	1.4 (B/C532) CAT	-	-	19.05	Cast Iron	FHM525
19 MkII (B/C53)	1.4 (B/C535)	02/92	-	19.05	Cast Iron	FHM525
19 MkII (B/C53)	1.8 (B/C53V)	05/92	-	20.64	Cast Iron	FHM585
19 MkII (B/C53)	1.8 (B/C53V)	05/92	-	20.64	Cast Iron	FHM586
19 MkII (B/C53)	1.8 (B/C53V)	-	-	17.46	Cast Iron	FHM636
19 MkII (B/C53)	1.8 (B/C53V)	-	-	20.64	Cast Iron	FHM820
19 MkII Saloon (L53)	1.8 (453A/F)	09/94	-	20.64	Cast Iron	FHM585
19 MkII Saloon (L53)	1.8 (453A/F)	09/94	-	20.64	Cast Iron	FHM586
19 MkII Saloon (L53)	1.8 (L538)	-	-	20.64	Cast Iron	FHM820
19 MkII Saloon (L53)	1.9 dT (L53T)	-	-	19.05	Cast Iron	FHM525
19 Saloon (L53)	1.8 16V (L53D)	-	-	20.64	Cast Iron	FHM585
19 Saloon (L53)	1.8 16V (L53D)	-	-	20.64	Cast Iron	FHM586
20 (127)	2.1 Diesel (1276)	-	-	20.64	Cast Iron	FHM1028
21 (B48)	1.9 D (B48H, B48I)	04/92	12/92	19.05	Cast Iron	FHM525
21 (B48)	2.0 (B48R/Y)	-	-	20.64	Cast Iron	FHM561

MASTER CYLINDER BRAKE



21



Material



...RENAULT

21 Saloon (L48)	1.7 (L482)	09/89	12/92	20.64	Cast Iron	FHM561
21 Saloon (L48)	1.7 (L482)	09/90	12/92	22.20	Cast Iron	FHM1280
21 Saloon (L48)	1.7 (L48E)	08/86	05/92	19.05	Cast Iron	FHM525
25 (B29)	2.0 (B297)	-	-	20.64	Cast Iron	FHM1028
25 (B29)	2.0 (B297)	-	-	20.64	Cast Iron	FHM633
30 (127)	2.1 Turbo-D (1270)	-	12/84	20.64	Cast Iron	FHM1028
9 (L42)	1.4 (L422, L42C)	01/82	12/86	19.05	Cast Iron	FHM1025
9 (L42)	1.4 Turbo (L425)	01/85	-	19.05	Cast Iron	FHM525
CLIO (B/C57,5/357)	1.8 16V (C57D)	-	-	20.64	Cast Iron	FHM820
CLIO (B/C57,5/357)	1.8 Rsi (B/C579)	01/94	07/94	19.05	Cast Iron	FHM525
CLIO (B/C57,5/357)	1.8 Rsi (B/C579)	-	-	20.64	Cast Iron	FHM620
CLIO MkII (BBO/1/2,CBO/1/2)	1.2 (B/CBOF, B/CBOA, B/CB10, B/CB1K, B/CB2D, B/CB2H)	-	-	20.64	Cast Iron	FHM1131
CLIO MkII (BBO/1/2,CBO/1/2)	1.2 (B/CBOF, B/CBOA, B/CB10, B/CB1K, B/CB2D, B/CB2H)	-	-	20.64	Cast Iron	FHM1137
CLIO MkII (BBO/1/2,CBO/1/2)	1.2 (B/CBOF, B/CBOA, B/CB10, B/CB1K, B/CB2D, B/CB2H)	-	-	20.64	Cast Iron	FHM1142
CLIO MkII (BBO/1/2,CBO/1/2)	1.2 (B/CBOF, B/CBOA, B/CB10, B/CB1K, B/CB2D, B/CB2H)	-	-	20.64	Cast Iron	FHM1217
CLIO MkII (BBO/1/2,CBO/1/2)	1.2 (B/CBOF, B/CBOA, B/CB10, B/CB1K, B/CB2D, B/CB2H)	-	-	20.64	Cast Iron	FHM1223
ESPACE (J11)	2.0 i (J116)	-	-	20.64	Cast Iron	FHM561
ESPACE MkII (J/S63)	2.2 (J/S637, J63G)	-	06/93	22.20	Cast Iron	FHM1202
ESPACE MkII (J/S63)	2.2 (J/S637, J63G)	-	-	22.20	Cast Iron	FHM1280
ESPACE MkII (J/S63)	2.2 (J/S637, J63G)	-	-	20.64	Cast Iron	FHM561
ESPACE MkII (J/S63)	2.8 V6 (J638, J63J)	-	-	23.81	Cast Iron	FHM817
ESPACE MkIII (JEO)	2.0	-	-	23.81	Cast Iron	FHM1116
ESPACE MkIII (JEO)	2.0	-	-	23.81	Aluminium	FHM1281
FUEGO (136)	1.4 TL/GTL	-	-	19.05	Cast Iron	FHM519
FUEGO (136)	1.4 TL/GTL	-	-	19.05	Cast Iron	FHM527
FUEGO (136)	1.4 TL/GTL	-	-	20.64	Cast Iron	FHM585
FUEGO (136)	2.1 TD	01/83	12/84	20.64	Cast Iron	FHM589
KANGOO (KCO/1)	1.9 dTi (KCOU)	-	-	22.20	Cast Iron	FHM1139
KANGOO (KCO/1)	1.9 dTi (KCOU)	-	-	22.00	Cast Iron	FHM1215
KANGOO (KCO/1)	1.9 dTi (KCOU)	-	-	22.00	Cast Iron	FHM1216
LAGUNA (B56,556)	2.0 (B56C/H/N)	02/99	-	23.81	Cast Iron	FHM817
LAGUNA (B56,556)	2.2 D (B56F/2)	-	02/01	22.20	Cast Iron	FHM1165
LAGUNA (B56,556)	2.2 D (B56F/2)	-	12/97	23.81	Cast Iron	FHM1279
LAGUNA (B56,556)	2.2 dT (B569)	-	-	23.81	Cast Iron	FHM635
MEGANE I Convertible (EA0/1)	1.6 e (EA0F)	04/97	-	20.64	Cast Iron	FHM585
MEGANE I Convertible (EA0/1)	1.6 e (EA0F)	04/97	-	20.64	Cast Iron	FHM586
MEGANE I Convertible (EA0/1)	2.0 16V IDE (EA03, EA0P, EA14)	10/00	10/03	22.20	Cast Iron	FHM1229
MEGANE I Convertible (EA0/1)	2.0 16V IDE (EA03, EA0P, EA14)	-	-	23.81	Cast Iron	FHM817
MEGANE I Saloon (LA0/1)	1.6 i (LA0L)	-	-	20.64	Cast Iron	FHM1141
MEGANE I Saloon (LA0/1)	1.6 i (LA0L)	-	-	20.64	Cast Iron	FHM585
MEGANE I Saloon (LA0/1)	1.6 i (LA0L)	-	-	20.64	Cast Iron	FHM586
MEGANE I Saloon (LA0/1)	1.6 i (LA0L)	-	-	20.64	Cast Iron	FHM820
MEGANE I Saloon (LA0/1)	1.9 TDI	-	12/02	22.20	Cast Iron	FHM1229
MEGANE I Saloon (LA0/1)	1.9 TDI	-	12/02	22.20	Cast Iron	FHM1282
MEGANE MPV (JA0/1)	1.6 e (JA0F)	-	09/98	20.64	Cast Iron	FHM585
MEGANE MPV (JA0/1)	1.6 e (JA0F)	-	09/98	20.64	Cast Iron	FHM586
MEGANE MPV (JA0/1)	1.6 e (JA0F)	-	-	20.64	Cast Iron	FHM820
MEGANE MPV (JA0/1)	2.0 i (JA0G)	-	-	22.22	Cast Iron	FHM699
MEGANEI (BA0/1)	1.6 16V (BA11, BA04, BA0B, BA1J)	-	12/02	22.20	Cast Iron	FHM1229
MEGANEI (BA0/1)	1.9 D Eco (B/SAOU, BA0A)	-	-	20.64	Cast Iron	FHM820
MEGANEI (BA0/1)	1.9 dTi (BA0B, BA0N)	04/97	-	20.64	Cast Iron	FHM585

MASTER CYLINDER BRAKE



21



Material



...RENAULT

MEGANEI (BA0/1)	1.9 dTi (BA08, BA0N)	04/97	-	20.64	Cast Iron	FHM586
MEGANEI (BA0/1)	2.0 16V (BA0H)	-	-	23.81	Cast Iron	FHM817
SAFRANE (B54)	2.2 (B541)	09/92	01/95	22.00	Cast Iron	FHM1198
SAFRANE (B54)	2.2 (B541)	-	01/95	22.22	Cast Iron	FHM634
SAFRANE (B54)	3.0 V6 (B54B, B544)	-	-	23.81	Cast Iron	FHM817
SAFRANE MkII (B54)	3.0 V6	-	-	23.81	Cast Iron	FHM817
TRAFIC Bus (T5,T6,T7)	1.7	-	02/89	25.40	Cast Iron	FHM698
TRAFIC Bus (T5,T6,T7)	1.7	03/89	-	23.81	Cast Iron	FHM630
TRAFIC Bus (T5,T6,T7)	2.1 D	-	-	20.64	Cast Iron	FHM629
TRAFIC Bus (TXW)	2.0	-	-	23.81	Cast Iron	FHM630
TRAFIC Bus (TXW)	1.9 D	11/97	-	23.81	Cast Iron	FHM1232
TRAFIC Bus (TXW)	2.5 D	09/94	10/97	25.40	Cast Iron	FHM698
TRAFIC Bus (TXW)	2.5 D	11/97	-	25.40	Cast Iron	FHM1151
TRAFIC Bus (TXW)	2.5 D	11/97	-	25.40	Cast Iron	FHM1231
TWINGO (C06)	1.2 (C066, C068)	09/96	-	20.64	Cast Iron	FHM637
TWINGO (C06)	1.2 (C067)	-	-	20.64	Cast Iron	FHM820

SAAB

90	2.0	-	12/85	22.22	Cast Iron	FHM818
99	2.0 EMS	-	07/74	22.22	Cast Iron	FHM818
99 Hatchback	2.0 Turbo	-	-	22.22	Cast Iron	FHM818
900 (AC4,AM4)	2.0 Turbo	07/86	-	22.22	Cast Iron	FHM1220
900 (AC4,AM4)	2.0 Turbo	-	-	22.22	Cast Iron	FHM818
900 Convertible	2.0 -16	-	06/93	22.22	Cast Iron	FHM818
901 Convertible	2.0 S Turbo-16	-	06/93	22.22	Cast Iron	FHM1220

SEAT

IBIZA (021A)	1.5	-	12/85	19.05	Cast Iron	FHM1124
IBIZA (021A)	1.7 D	05/85	12/93	20.64	Cast Iron	FHM1258
IBIZA (021A)	1.7 D	05/85	12/93	20.64	Cast Iron	FHM585
IBIZA (021A)	1.7 D	05/85	12/93	20.64	Cast Iron	FHM586
IBIZA MkII (6K1)	1.7 SDI	-	07/99	20.64	Cast Iron	FHM1014
IBIZA MkII (6K1)	1.7 SDI	-	07/99	20.64	Cast Iron	FHM570
IBIZA MkII (6K1)	1.9 TDI	03/97	07/99	22.22	Cast Iron	FHM1002
IBIZA MkIII (6K1)	1.4 16V	-	-	22.22	Cast Iron	FHM1002
IBIZA MkIII (6K1)	1.4 16V	-	-	23.81	Cast Iron	FHM1103
IBIZA MkIII (6K1)	1.8 T 20V Cupra	-	-	23.81	Aluminium	FHM1162
IBIZA MkIV (6L1)	1.4 TDI	-	-	20.64	Cast Iron	FHM1223
IBIZA MkIV (6L1)	1.8 T Cupra R	-	-	20.64	Cast Iron	FHM1115

SUZUKI

VITARA (ET,TA)	1.6 (ET)	-	-	20.64	Cast Iron	FHM1152
----------------	----------	---	---	-------	-----------	---------

TOYOTA

COROLLA	1600i 16V TWIN CAM	01/89	12/93	20.64	-	FHM1413
COROLLA (E9)	1.6 i	-	-	20.64	Aluminium	FHM1271
COROLLA Hatchback (E9)	1.3 (EE90)	-	-	20.64	Aluminium	FHM1271
CRESSIDA	1,8	01/81	12/89	22.22	Cast Iron	FHM1409
CRESSIDA	2,0	01/78	12/93	22.22	Cast Iron	FHM1409
CRESSIDA	2,4	01/87	12/93	22.22	Cast Iron	FHM1409
HI-LUX	2.0	01/79	12/86	23.81	Cast Iron	FHM1254
HI-LUX	2.4	01/84	12/95	23.81	Cast Iron	FHM1254

MASTER CYLINDER BRAKE



21



Material



...TOYOTA

HI-LUX	2.8	-	-	23.81	Cast Iron	FHM1254
HI-LUX	2800	01/84	12/88	20.64	-	FHM1412
LANDCRUISER	3900 D HJ	01/71	12/85	28.6	-	FHM1418
LANDCRUISER (DHJ)	3.9	01/85	12/88	23.81	Cast Iron	FHM1254
LANDCRUISER (DHJ)	4.0	01/81	12/85	23.81	Cast Iron	FHM1254
LANDCRUISER (FJ)	4.2	01/75	12/81	23.81	Cast Iron	FHM1254
LANDCRUISER (FZ)	4.2	01/81	12/85	23.81	Cast Iron	FHM1254
LANDCRUISER (FZJ)	4.5	-	-	23.81	Cast Iron	FHM1254
LANDCRUISER (J6)	4.0 (FJ62,G)	08/88	-	22.22	Cast Iron	FHM1255
LANDCRUISER (J6)	4.0 Diesel (HJ60)	-	-	22.22	Cast Iron	FHM1256
LANDCRUISER (J7)	2.4 D (LJ70)	-	-	22.22	Cast Iron	FHM1255
STALLION	All	01/87	12/91	22.22	Cast Iron	FHM1409

VOLKSWAGEN

BEETLE	1.2	01/57	12/64	17.46	Cast Iron	FHM1044
BEETLE	1.2	01/64	12/71	17.46	Cast Iron	FHM1044
BEETLE	1.3	01/65	12/67	17.46	Cast Iron	FHM1044
BEETLE	1.3	01/67	12/79	17.46	Cast Iron	FHM1044
BEETLE	1.5	01/65	12/67	17.46	Cast Iron	FHM1044
BEETLE	1.5	01/67	12/72	17.46	Cast Iron	FHM1044
BEETLE	1.6	01/65	12/67	17.46	Cast Iron	FHM1044
BEETLE	1.6	01/67	12/79	17.46	Cast Iron	FHM1044
CADDY (14)	1.6	08/83	-	20.64	Cast Iron	FHM1006
CADDY (14)	1.6	08/83	-	20.64	Cast Iron	FHM576
CADDY MkII (9K9A)	75 1.6	06/96	-	22.22	Cast Iron	FHM1088
CADDY MkII (9U7)	1.6	-	-	22.22	Cast Iron	FHM1088
CADDY MkII (9U7)	1.6	-	-	23.81	Cast Iron	FHM1120
GOLF (17)	1.1	-	07/81	17.46	Cast Iron	FHM1260
GOLF (17)	1.1	-	-	20.64	Cast Iron	FHM1006
GOLF (17)	1.1	-	-	20.64	Cast Iron	FHM576
GOLF MkII (19E,1G1)	1.8 GTI 16V	-	-	20.64	Cast Iron	FHM585
GOLF MkII (19E,1G1)	1.8 GTI G60	-	-	22.22	Cast Iron	FHM1002
GOLF MkII (19E,1G1)	1.8 i CAT	08/89	-	20.64	Cast Iron	FHM1014
GOLF MkIII (1H1)	1.8	-	-	22.22	Cast Iron	FHM1002
GOLF MkIII (1H1)	1.8	-	-	22.00	Aluminium	FHM1140
GOLF MkIII (1H1)	1.8	-	-	20.64	Cast Iron	FHM570
JETTA (16)	1.6	-	07/83	20.64	Cast Iron	FHM576
JETTA MkII (19E,1G2)	1.8	-	07/89	20.64	Cast Iron	FHM585
JETTA MkII (19E,1G2)	1.8	08/89	-	20.64	Cast Iron	FHM1014
JETTA MkII (19E,1G2)	1.8	-	-	20.64	Cast Iron	FHM568
JETTA MkII (19E,1G2)	1.8 16V	-	-	22.22	Cast Iron	FHM1002
PASSAT (32)	1.6	09/75	07/79	20.64	Cast Iron	FHM576
PASSAT (32B)	1.8	-	07/83	20.64	Cast Iron	FHM1006
PASSAT (32B)	1.8	-	-	20.64	Cast Iron	FHM1264
PASSAT (3A2,351)	1.6	04/88	-	20.64	Cast Iron	FHM1014
PASSAT (3A2,351)	1.6	08/91	-	22.22	Cast Iron	FHM1002
PASSAT (3B2)	1.9 TDI	09/99	-	25.40	Cast Iron	FHM1123
PASSAT (3B2)	2.8 V6	-	-	23.81	Cast Iron	FHM685
PASSAT (3B3)	1.8 T 20V	-	-	25.40	Cast Iron	FHM1123
PASSAT (3B3)	2.5 TDI	-	-	23.81	Cast Iron	FHM685
PASSAT Saloon (32B)	1.8	-	-	20.64	Cast Iron	FHM1264
POLO (6N1)	1.6	-	09/99	22.20	Cast Iron	FHM1161
POLO (6N1)	1.6	-	-	22.00	Aluminium	FHM1140
POLO (6N2)	1.4	-	-	23.81	Cast Iron	FHM1103
POLO (6N2)	1.4 16V	-	-	22.00	Aluminium	FHM1140

MASTER CYLINDER BRAKE



21



Material



...VOLKSWAGEN

POLO (6N2)	1.7 SDI	-	-	22.20	Cast Iron	FHM1161
POLO (86)	1.3	-	-	20.64	Cast Iron	FHM576
POLO (86)	800	-	-	17.46	Cast Iron	FHM504
POLO (9N)	1.4 16V	-	-	20.64	Cast Iron	FHM1115
POLO (9N)	1.4 FSI	-	-	20.64	Cast Iron	FHM1223
POLO Saloon	1.4 TDI	-	-	20.64	Cast Iron	FHM1223
POLO Saloon (6KV2)	1.9 SDI	-	-	22.00	Aluminium	FHM1140
POLO Saloon (86C,80)	1.0	-	02/85	17.46	Cast Iron	FHM504
SCIROCCO (53)	1.1	-	-	20.64	Cast Iron	FHM1259
SCIROCCO (53)	1.5	-	-	20.64	Cast Iron	FHM1006
SCIROCCO (53)	1.5	-	-	20.64	Cast Iron	FHM576
SCIROCCO (53B)	1.5	-	07/83	20.64	Cast Iron	FHM576
SCIROCCO (53B)	1.6	-	-	20.64	Cast Iron	FHM1259
SCIROCCO (53B)	1.8 16V	-	-	20.64	Cast Iron	FHM1006
SHARAN (7M8,7M9,7M6)	2.8 V6 24V	-	-	23.81	Cast Iron	FHM1051
SHARAN (7M8,7M9,7M6)	2.8 V6 24V	-	-	23.81	Aluminium	FHM1214
TRANSPORTER MkII Bus	1.7	-	-	20.64	Cast Iron	FHM1257
TRANSPORTER MkIII Bus	2.1	-	-	23.81	Cast Iron	FHM1087
TRANSPORTER MkIII Bus	2.1	-	-	23.81	Cast Iron	FHM1101
TRANSPORTER MkIV Bus (70XB,70XC,7DB,7DW)	2.5	-	07/96	22.20	Cast Iron	FHM1201
TRANSPORTER MkIV Bus (70XB,70XC,7DB,7DW)	2.5	-	-	25.40	Cast Iron	FHM1211
TRANSPORTER MkIV Bus (70XB,70XC,7DB,7DW)	2.5	-	-	23.81	Aluminium	FHM1214
VENTO (1H2)	1.9 SDI	-	-	22.00	Aluminium	FHM1140
VENTO (1H2)	1.9 SDI	-	-	20.64	Cast Iron	FHM570
VENTO (1H2)	1.9 TDI	-	-	22.22	Cast Iron	FHM1002

VOLVO

240 (P242,P244)	2.3	-	-	22.22	Cast Iron	FHM500
240 (P242,P244)	2.3	-	-	22.22	Cast Iron	FHM501
260 (P262,P264)	2.8	-	-	22.22	Cast Iron	FHM500
260 (P262,P264)	2.8	-	-	22.22	Cast Iron	FHM501
740 (744)	2.4 TD	09/85	-	23.81	Cast Iron	FHM608
760 (704,764)	2.3	-	08/90	23.81	Cast Iron	FHM608
940 (944)	2.3 Turbo	-	12/91	23.81	Cast Iron	FHM608
960 (964)	2.4 TD Interc.	-	12/91	23.81	Cast Iron	FHM608
S40I (VS)	1.9 T4	-	-	22.20	Cast Iron	FHM1233

MASTER CYLINDER CLUTCH



21



Material



ALFA ROMEO

33 (905)	1.7 i.e. (905.A3D)	-	-	19.05	Cast Iron	FHC5021
33 (907A)	1.7 16V (907.A1C)	-	-	19.05	Cast Iron	FHC5021
75 (162B)	1.8 Turbo (162.B1C, 162.B1D, 162.B1G)	-	-	19.05	Cast Iron	FHC5031
90 (162)	2.5 i.e. V6 (162.A, 162.AA)	-	-	19.05	Cast Iron	FHC5031
1750-2000	1750 (105,48)	-	-	17.46	Cast Iron	FHC5074
145 (930)	1.6 i.e.	-	-	19.50	Cast Iron	FHC5048
145 (930)	2.0 16V T.S.	-	-	19.05	Cast Iron	FHC5001
146 (930)	1.7 i.e. 16V	-	-	19.05	Cast Iron	FHC5016
146 (930)	2.0 16V T.S.	-	-	19.05	Cast Iron	FHC5001
147 (937)	2.0 16V T.SPARK (937AXC1)	-	-	15.87	Cast Iron	FHC5095
155 (167)	1.6 16V T.S.	-	-	19.05	Cast Iron	FHC5001
155 (167)	2.5 V6 (167.A1C, 167.A1E)	-	-	19.05	Cast Iron	FHC5014
156 (932)	1.6 16V T.SPARK (932A4)	-	-	15.87	Cast Iron	FHC5092
164 (164)	2.0 V6 Turbo (164.A2G, 164.A2F)	-	-	19.05	Cast Iron	FHC5023
166 (936)	2.4 JTD (936A2A)	-	-	19.05	Cast Iron	FHC5094
ALFASUD (901)	1.3 ti (901.G4)	-	-	19.05	Cast Iron	FHC5021
ALFETTA (116)	1.8 (116.B2)	-	-	19.05	Cast Iron	FHC5054
GIULIETTA (116)	1.8 (116.AA, 116.AB)	-	08/82	19.05	Cast Iron	FHC5054
GIULIETTA (116)	1.8 (116.AA, 116.AB)	09/82	-	19.05	Cast Iron	FHC5031
GT	1.3 Junior (105)	01/69	12/72	17.46	Cast Iron	FHC5074
GTA Coupe	1.3 Junior	01/69	12/72	17.46	Cast Iron	FHC5074
GTV (116)	2.0	01/81	12/83	19.05	Cast Iron	FHC5054
GTV (116)	2.0 (116.36 E)	-	-	19.05	Cast Iron	FHC5031
GTV (916C)	2.0 T.SPARK 16V (916.C2 , 916C2C00)	-	-	19.05	Cast Iron	FHC5001
SPIDER (105)	2000	01/77	-	17.46	Cast Iron	FHC5074
SPIDER (115)	1600	-	08/93	17.46	Cast Iron	FHC5074
SPIDER (916S)	2.0 T.SPARK 16V (916S2C00)	-	-	19.05	Cast Iron	FHC5001

AUDI

80 (8C,B4)	2.0	-	-	19.05	Cast Iron	FHC5000
90 (89,89Q,8A,B3)	2.2 E	-	-	19.05	Cast Iron	FHC5000
100 (43,C2)	2.1	08/79	07/81	19.05	Cast Iron	FHC5005
100 (44,44Q,C3)	2.2 E	-	-	19.05	Cast Iron	FHC5005
200 (43)	2.1 5 T	-	-	19.05	Cast Iron	FHC5005
200 (44,44Q)	2.2 Turbo	-	-	19.05	Cast Iron	FHC5005
A3 (8L1)	1.8 T	-	-	15.87	Cast Iron	FHC5058
A6 (4A,C4)	2.0	-	-	19.05	Cast Iron	FHC5005
CABRIOLET (8G7,B4)	2.0 E	-	-	19.05	Cast Iron	FHC5000
COUPE (89,8B)	2.3	11/88	-	19.05	Cast Iron	FHC5000
TT (8N3)	1.8 T	-	-	15.87	Cast Iron	FHC5058
TTConvertible (8N9)	1.8 T	-	-	15.87	Cast Iron	FHC5058

BMW

3 (E30)	324 td	-	-	19.05	Aluminium	FHC5011
3 (E36)	316 i	10/94	-	19.05	Aluminium	FHC5060
3 (E36)	316 i	01/90	-	19.05	Aluminium	FHC5022
3 (E46)	316 i	-	02/01	19.05	Cast Iron	FHC5071
3Convertible (E30)	320 i	-	12/92	19.05	Aluminium	FHC5011
3Convertible (E36)	318 i	-	09/94	19.05	Aluminium	FHC5022
3Convertible (E36)	318 i	10/94	-	19.05	Aluminium	FHC5060
3Convertible (E46)	325 Ci	10/00	02/01	19.05	Cast Iron	FHC5071
3Coupe (E36)	318 is	-	09/94	19.05	Aluminium	FHC5022
3Coupe (E36)	318 is	10/94	-	19.05	Aluminium	FHC5060
3Coupe (E46)	M3 3.2	-	02/01	19.05	Cast Iron	FHC5071

MASTER CYLINDER CLUTCH



21



Material



...BMW

5 (E12)	518 i	09/79	-	19.05	Cast Iron	FHC5073
5 (E34)	525 tds	-	-	19.05	Aluminium	FHC5019
5 (E34)	M5 3.6	01/91	-	19.05	Cast Iron	FHC5063
5 (E39)	523 i	12/95	-	19.05	Cast Iron	FHC5071
6 (E24)	630 CS	-	-	19.05	Cast Iron	FHC5073
6 (E24)	635 CSi	-	04/89	19.05	Aluminium	FHC5011
7 (E32)	730 i,iL V8	06/92	06/94	19.05	Aluminium	FHC5019
8 (E31)	850 CSi	-	10/96	19.05	Aluminium	FHC5019
X5 (E53)	3.0 i	-	08/01	19.05	Cast Iron	FHC5071
Z1	2.5	07/88	-	19.05	Aluminium	FHC5019
Z3	1.8	-	-	19.05	Aluminium	FHC5022
Z3	2.2	10/00	-	19.05	Aluminium	FHC5060
Z3 Coupe	3.2 M	-	-	19.05	Aluminium	FHC5060
Z8	4.9	-	-	19.05	Cast Iron	FHC5071

FIAT

124	1600 Special T	-	-	19.05	Cast Iron	FHC5044
850	800 Special (GB)	-	-	19.05	Cast Iron	FHC5044
BRAVA (182)	1.2 16V 80	-	-	19.05	Cast Iron	FHC5013
BRAVA (182)	1.8 GT 16V (182.BC)	-	-	19.05	Cast Iron	FHC5032
BRAVA (182)	1.9 JTD 105	-	-	19.05	Cast Iron	FHC5001
BRAVO (182)	1.9 JTD 105	-	-	19.05	Cast Iron	FHC5013
BRAVO (182)	2.0 HGT 20V (182.AD)	-	-	19.05	Cast Iron	FHC5001
BRAVO (182)	2.0 HGT 20V (182.AD)	-	-	19.05	Cast Iron	FHC5032
PUNTO (188)	1.2 Natural Power	-	-	15.87	Cast Iron	FHC5039
PUNTO (188)	1.8 130 HGT (188.738, .718)	-	-	15.87	Cast Iron	FHC5038
PUNTO (188)	1.8 130 HGT (188.738, .718)	-	-	15.87	Cast Iron	FHC5045
UNO (146A/E)	45 0.9	-	-	19.05	Cast Iron	FHC5004
X1/9 (128AS)	1.5 Five Speed	-	-	19.05	Cast Iron	FHC5112

FORD

MONDEO (GBP)	2.5 i 24V	08/94	-	19.05	Aluminium	FHC5052
MONDEO MkII (BAP)	2.5 24V	10/96	09/00	19.05	Aluminium	FHC5052
TELSTAR	Telstar	01/93	12/96	15.87	-	FHC5163

HONDA

ACCORD MkIV (CB3,CB7)	2.2 i 16V Automatik (CB7)	-	-	15.87	Aluminium	FHC5106
ACCORD MkV (CC7)	2.0 i	07/93	06/95	15.87	Aluminium	FHC5106
ACCORD MkVI (CE,CF)	2.2 i VTEC (CE9)	-	-	15.87	Aluminium	FHC5106
CIVIC MkIV (EG,EH)	1.5 i 16V (EG8)	-	09/95	15.87	Aluminium	FHC5107
CIVIC MkIV Hatchback (EG)	1.6 16V Vtec (EG5)	-	-	15.87	Aluminium	FHC5107
CIVIC MkIV Hatchback (MA,MB)	1.5 i Vtec-E (MA9)	01/95	06/96	15.87	Aluminium	FHC5107
CIVIC MkV Hatchback (EJ9,EK1/3/4)	1.5 i (EK3)	07/96	-	15.87	Aluminium	FHC5107
CIVIC MkV Hatchback (MB)	1.4 16V (MB2)	-	-	15.87	Aluminium	FHC5107
CRX MkIII (EH,EG)	1.6 i VTi (EG2)	-	06/95	15.87	Aluminium	FHC5107
LEGEND (HS,KA)	2.5 i (HS)	-	-	15.87	Steel	FHC5079
LEGEND Coupe (KA3)	2.7 i 24V	-	-	15.87	Steel	FHC5079
PRELUDE MkIV (BB)	2.2 i 16V Vtec (BB1)	-	-	15.87	Aluminium	FHC5106
PRELUDE MkV (BB)	2.2 16V	-	-	15.87	Aluminium	FHC5106

MASTER CYLINDER CLUTCH



21



Material



HYUNDAI							
BAKKIE	2500 Bakkie	01/97	12/00	15.87	-	FHC5162	
SONATA	Sonata	01/92	12/98	15.87	-	FHC5158	
ISUZU							
KB	1600	-	-	15.87	-	FHC5159	
TROOPER (UB)	3.2	-	-	15.87	Aluminium	FHC5105	
TROOPER OpenOff-RoadVehicle (UB)	3.1 TD	-	-	15.87	Aluminium	FHC5105	
JEEP							
CHEROKEE (XJ)	2.5	-	-	17.46	Cast Iron	FHC5091	
CHEROKEE (XJ)	2.1 TD	-	-	17.80	Aluminium	FHC5082	
GRANDCHEROKEE (Z)	2.5 TD (Z)	-	-	17.46	Cast Iron	FHC5091	
GRANDCHEROKEE (Z)	4.0 i (ZJ)	-	-	17.80	Aluminium	FHC5082	
GRANDCHEROKEE (Z)	4.0 i (ZJ)	-	-	17.80	Aluminium	FHC5090	
WRANGLER (YJ,SJ)	2.5	-	-	17.80	Aluminium	FHC5090	
KIA							
2700 Kerri van 2.7D		01/03	12/04	15.87	-	FHC5154	
LAND ROVER							
88/109	2.3 (LR 88 OL, LR 109 OL)	01/71	12/77	19.05	Aluminium	FHC5056	
88/109	2.3 (LR 88 OL, LR 109 OL)	10/83	-	19.05	Aluminium	FHC5043	
88/109	2.3 D (LR 88 DL, LR 109 DL)	01/71	12/81	25.40	Cast Iron	FHC5098	
88/109 ClosedOff-RoadVehicle	2.3 (LR 88 OP, LR 109 OP)	01/71	12/77	19.05	Aluminium	FHC5056	
88/109 ClosedOff-RoadVehicle	2.3 (LR 88 OP, LR 109 OP)	10/83	-	19.05	Aluminium	FHC5043	
88/109 ClosedOff-RoadVehicle	2.3 D (LR 88 DP, LR 109 DP)	01/71	12/81	25.40	Cast Iron	FHC5098	
90/110 (DHMC)	2.5 TD	-	-	19.05	Aluminium	FHC5043	
DEFENDER (LD)	2.5 90 TDI	10/95	-	19.05	Aluminium	FHC5043	
DISCOVERY (LJ,LG)	(SALLJG)	-	-	17.80	Steel	FHC5037	
RANGEROVER (AE,AN,HAA,HAB,HAM,HBM,RE,RN)	3.9 CAT	-	-	17.80	Steel	FHC5037	
MAZDA							
323	2000	01/98	12/96	15.87	-	FHC5155	
B-SERIE (UN)	2.5 D	-	-	15.87	Cast Iron	FHC5104	
ETUDE	1600	01/95	12/98	19.05	-	FHC5153	
MERCEDES BENZ							
C-CLASS (W202)	C 180 (202.018)	06/93	-	19.05	Cast Iron	FHC5003	
C-CLASS Estate (S202)	C 200 T CDI (202.194)	-	-	19.05	Cast Iron	FHC5003	
CLK (C208)	200 Kompressor (208.345)	-	-	19.05	Cast Iron	FHC5003	
CLK Convertible (A208)	230 Kompressor (208.448)	-	-	19.05	Cast Iron	FHC5003	
E-CLASS (W124)	E 220 (124.022)	-	08/93	17.80	Aluminium	FHC5082	
E-CLASS (W124)	E 250 Turbo-D (124.128)	07/93	-	19.05	Cast Iron	FHC5003	
E-CLASS (W210)	E 250 D (210.010)	-	-	19.05	Cast Iron	FHC5003	
E-CLASS Coupe (C124)	E 200 (124.040)	07/93	-	19.05	Cast Iron	FHC5003	
E-CLASS Estate (S124)	E 280 T (124.088)	07/93	05/96	19.05	Cast Iron	FHC5003	
E-CLASS Estate (S210)	E 240 T (210.261)	09/97	-	19.05	Cast Iron	FHC5003	
KOMBI Estate (S123)	240 TD	02/78	-	19.05	Cast Iron	FHC5026	
KOMBI Estate (S124)	250 TD (124.185)	-	-	19.05	Cast Iron	FHC5003	
KOMBI Estate (S124)	280 TE (124.088)	-	-	19.05	Cast Iron	FHC5063	

MASTER CYLINDER CLUTCH



21



Material



...MERCEDES BENZ

M-CLASS (W163)	ML 270 CDI (163.113)	-	-	19.05	Cast Iron	FHC5003
Saloon (W123)	230 E (123.223)	06/80	09/85	19.05	Cast Iron	FHC5026
Saloon (W123)	300 D (123.130)	-	-	17.80	Aluminium	FHC5082
Saloon (W124)	220 E (124.022)	-	-	19.05	Cast Iron	FHC5003
S-CLASS (W108,W109)	300 SEL (109.016)	-	12/70	19.05	Cast Iron	FHC5076
S-CLASS (W126)	280 S (126.021)	-	-	17.80	Aluminium	FHC5082
S-CLASS (W126)	280 SE,SEL (126.022, 126.023)	01/80	-	19.05	Cast Iron	FHC5026
SL (R107)	280 SL (107.042)	09/74	-	19.05	Cast Iron	FHC5076
SL Coupe (C107)	350 SLC (107.023)	-	-	19.05	Cast Iron	FHC5076
SLK (R170)	200 (170.435)	-	-	19.05	Cast Iron	FHC5003
SPRINTER 2-tBus (901,902)	210 D	-	-	19.05	Cast Iron	FHC5029
VITO Box (638)	110 CDI 2.2 (638.094)	-	-	19.05	Cast Iron	FHC5066
VITO Bus (638)	110 TD 2.3 (638.174)	-	-	19.05	Cast Iron	FHC5066

MITSUBISHI

PAJERO II	All	01/90	12/00	15.87	Aluminium	FHC5147
-----------	-----	-------	-------	-------	-----------	---------

NISSAN

140Y	All	01/75	12/80	15.87	Aluminium	FHC5085
160Y	All	01/97	12/80	15.87	Aluminium	FHC5085
300ZX (Z31)	3.0 Turbo	-	-	15.87	Aluminium	FHC5101
300ZX (Z31)	3.0 Turbo	-	-	15.87	Aluminium	FHC5086
620 LDV	All	01/73	12/79	15.87	Aluminium	FHC5085
680 LDV	All	01/78	12/80	15.87	Aluminium	FHC5085
720 LDV	All	01/88	12/06	15.87	Aluminium	FHC5085
ALMERA MkII (N16)	1.5	-	-	15.87	Cast Iron	FHC5104
HD U41		-	-	15.87	-	FHC5161
LANGLEY (N12)	1.5 Turbo	-	-	19.05	Cast Iron	FHC5021
LANGLEY Coupe (N10)	1.4	-	-	15.87	Aluminium	FHC5086
LAUREL (HLC230)	2.4	-	-	15.87	Aluminium	FHC5086
LAUREL (JC32)	2.8 D	-	-	15.87	Aluminium	FHC5086
PICKUP (720)	2.3 D	-	-	15.87	Aluminium	FHC5086
PICKUP (D21)	2.5 D	-	-	15.87	Aluminium	FHC5072
SAFARI	All	01/80	12/90	15.87	Aluminium	FHC5085
SSS	All	01/69	12/78	15.87	Aluminium	FHC5085
STANZA	All	01/78	12/84	15.87	Aluminium	FHC5085
SUNNY (140Y,150Y)	1.4 (HBL310)	-	-	15.87	Aluminium	FHC5101
TERRANO (WD21)	3.0 i	-	-	15.87	Aluminium	FHC5072
TERRANO MkII (R20)	3.0 Di	-	-	15.87	Aluminium	FHC5064

OPEL

ZAFIRA (F75)	2.0 OPC	-	-	15.00	Aluminium	FHC5097
--------------	---------	---	---	-------	-----------	---------

PEUGEOT

504 (A,M)	2.1 D (A20, M20)	08/77	07/79	19.05	Cast Iron	FHC5006
504 Estate (D,F)	2.3 D (D40, F40)	-	-	19.05	Cast Iron	FHC5006

MASTER CYLINDER CLUTCH



21



Material



RENAULT

5 (122)	1.3 (1225)	-	-	19.05	Cast Iron	FHC5042
5 (122)	1.4 Automatik (1229, 1399)	-	-	19.05	Cast Iron	FHC5051
TRAFIC Bus (T5,T6,T7)	1.7	-	-	19.05	Cast Iron	FHC5033
TRAFIC Bus (TXW)	2.5 D	-	-	19.05	Cast Iron	FHC5033

SAAB

9-5 Estate (YS3E)	2.3 Turbo	-	-	15.00	Aluminium	FHC5097
90	2.0	-	-	15.87	Steel	FHC5110
99	2.0 EMS	-	-	15.87	Steel	FHC5110
99 Hatchback	2.0 Turbo	-	-	15.87	Steel	FHC5110
900 (AC4,AM4)	2.0 i	-	-	15.87	Steel	FHC5110
900 (AC4,AM4)	2.0 Turbo	-	-	15.87	Steel	FHC5061
902 Convertible	2.0 S Turbo-16	-	08/93	15.87	Steel	FHC5061
9000	2.0 -16 Turbo	08/90	-	17.80	-	FHC5057
9000	2.3 -16 Turbo	-	-	15.87	Steel	FHC5109

SEAT

IBIZA MkII (6K1)	1.9 TDI	-	-	19.05	Cast Iron	FHC5028
LEON (1M1)	1.8 20V T	-	-	15.87	Cast Iron	FHC5058

TOYOTA

4RUNNER (N130)	3.0 V6 (VZN 130)	-	-	15.87	Aluminium	FHC5089
CAMRY	All	01/92	-	15.87	Aluminium	FHC5152
CARINA MkII (T15)	2.0 GLI (ST171)	-	11/89	15.87	Cast Iron	FHC5080
CARINA MkII (T15)	2.0 GLI (ST171)	-	-	15.87	Cast Iron	FHC5099
CONQUEST/TAZZ	All	01/84	12/95	15.87	Cast Iron	FHC5148
CONQUEST/TAZZ	All	01/84	12/95	15.87	Aluminium	FHC5152
CONQUEST/TAZZ	All	01/88	12/06	15.87	Aluminium	FHC5152
COROLLA	All	01/80	12/84	15.87	Cast Iron	FHC5149
COROLLA	All	01/93	12/02	15.87	Aluminium	FHC5152
COROLLA	All	01/81	12/87	15.87	Cast Iron	FHC5151
COROLLA (E8)	1.6 (AE82)	-	-	15.87	Cast Iron	FHC5099
COROLLA (E8)	All	01/85	12/88	15.87	Cast Iron	FHC5148
COROLLA (E8)	All	01/85	12/88	20.64	Cast Iron	FHC6163
COROLLA (E9)	1.6 i	-	-	15.87	Aluminium	FHC5088
COROLLA FX Hatchback (E8B)	1.3	-	-	15.87	Cast Iron	FHC5080
COROLLA Hatchback (E8)	1.6 (AE82)	-	-	15.87	Cast Iron	FHC5099
COROLLA Hatchback (E9)	1.3 i (EE90)	08/89	-	15.87	Aluminium	FHC5088
COROLLA Hatchback (E9)	1.8 D (CE90)	-	-	15.87	Aluminium	FHC5062
CORONA	All	01/71	12/80	15.87	Cast Iron	FHC5149
CRESSIDA Saloon (X6)	2.0 GLI	-	-	15.87	Cast Iron	FHC5100
HD DYNA	2200	-	-	-	-	FHC5157
HI-LUX	All	01/74	12/79	15.87	Cast Iron	FHC5151
HI-LUX	All	01/68	12/95	15.87	Cast Iron	FHC5151
HI-LUX	All	01/68	12/95	15.87	Cast Iron	FHC5148
HILUX Pickup	All	01/94	-	15.87	Aluminium	FHC5152
HILUX Pickup (N)	2.2 (YN106, YN110)	08/88	-	15.87	Aluminium	FHC5089
HILUX Pickup (N)	2.4 i	-	-	15.87	Aluminium	FHC5103
HINO	7-105	01/88	12/95	15.87	-	FHC5156
LANDCRUISER (J7)	2.4 (RJ70, RJ73)	-	08/88	15.87	Cast Iron	FHC5102
MR2	All	01/84	12/90	15.87	Cast Iron	FHC5150
STOUT	All	01/79	12/87	15.87	Cast Iron	FHC5148
STOUT	All	01/87	12/89	15.87	Cast Iron	FHC5148

MASTER CYLINDER CLUTCH



21



Material



...TOYOTA

VENTURE	Venture	01/91	12/01	15.87	-	FHC5160
---------	---------	-------	-------	-------	---	---------

VOLKSWAGON

BORA (1J2)	2.0	-	-	15.00	Aluminium	FHC5097
BORA (1J2)	2.3 V5	-	-	15.87	Cast Iron	FHC5058
GOLF MkII (19E,1G1)	1.8 GTI G60	-	-	19.05	Cast Iron	FHC5008
GOLF MkIV (1J1)	2.3 V5	10/97	05/99	15.87	Cast Iron	FHC5058
POLO Saloon (6KV2)	1.9 TDI	-	-	19.05	Cast Iron	FHC5028
TRANSPORTER MkIII Bus	2.1	-	-	19.05	Cast Iron	FHC5017
TRANSPORTER MkIII Bus	2.1	-	-	19.05	Cast Iron	FHC5068

VOLVO

740 (744)	2.3	-	-	19.05	Steel	FHC5083
760 (704,764)	2.4 Turbo Diesel (704)	-	-	19.05	Steel	FHC5083
940 (944)	2.3 Turbo	-	-	19.05	Steel	FHC5083
960 (964)	2.4 TD Interc.	-	-	19.05	Steel	FHC5083

SLAVE CYLINDER CLUTCH



21



Material



ALFA ROMEO

33 (905)	1.7	10/86	07/89	25.40	Cast Iron	FHC6003
33 (907A)	1.4	-	-	25.40	Cast Iron	FHC6003
75 (162B)	1.8 (162.B1H)	-	-	25.40	Cast Iron	FHC6024
90 (162)	2.0 i.e. (162.A2A, 162.A2E)	-	-	25.40	Cast Iron	FHC6024
1750-2000	2000 (105)	-	09/77	25.40	Steel	FHC6058
145 (930)	1.4 i.e.	09/94	-	25.40	Cast Iron	FHC6003
145 (930)	2.0 16V T.S.	-	-	25.40	Cast Iron	FHC6000
146 (930)	1.6 i.e.	-	-	25.40	Cast Iron	FHC6003
146 (930)	2.0 16V T.S.	-	-	25.40	Cast Iron	FHC6000
147 (937)	1.9 JTD (937AXD1A)	-	-	20.64	Cast Iron	FHC6049
155 (167)	1.7 T.S. (167.A4D, 167.A4H)	-	03/95	25.40	Cast Iron	FHC6000
155 (167)	1.7 T.S. (167.A4D, 167.A4H)	-	-	25.40	Cast Iron	FHC6019
155 (167)	2.5 TD (167.A1A)	-	-	25.40	Cast Iron	FHC6001
156 (932)	2.4 JTD (932AXC)	-	-	25.40	Cast Iron	FHC6001
164 (164)	3.0 24V (164.K1M, 164.K1C)	-	-	19.81	Cast Iron	FHC6021
164 (164)	3.0 V6 (164.H1A, 164.H1B, 164.K1P)	-	-	25.40	Cast Iron	FHC6001
166 (936)	2.4 JTD (936A2A)	-	-	25.40	Cast Iron	FHC6001
ALFASUD (901)	1.3 Super (901.F2)	01/80	03/80	25.40	Cast Iron	FHC6003
ALFETTA (116)	1.8 (116.B2)	-	-	25.40	Cast Iron	FHC6024
GIULIA	1.8 D	-	-	25.40	Cast Iron	FHC6024
GIULIA	1300 TI (105,39)	12/69	10/72	25.40	Steel	FHC6058
GIULIETTA (116)	1.8 (116.AA, 116.AB)	-	-	25.40	Cast Iron	FHC6024
GTV (116)	2.0 (116.36 E)	-	-	25.40	Cast Iron	FHC6024
GTV (916C)	2.0 T.SPARK 16V (916.C2, 916C2C00)	-	-	25.40	Cast Iron	FHC6000
GTV (916C)	3.0 V6 24V (916.C1)	-	-	25.40	Cast Iron	FHC6001
SPIDER (115)	2000	-	05/92	25.40	Steel	FHC6058
SPIDER (916S)	2.0 T.SPARK 16V (916S2B)	-	-	25.40	Cast Iron	FHC6001
SPIDER (916S)	2.0 T.SPARK 16V (916S2C00)	-	-	25.40	Cast Iron	FHC6000

AUDI

80 (81,85,B2)	2.2	-	-	22.22	Cast Iron	FHC6016
80 (8C,B4)	2.0	-	-	22.22	Cast Iron	FHC6006
90 (81,85,B2)	2.2	-	-	22.22	Cast Iron	FHC6016
90 (89,89Q,8A,B3)	2.2 E	-	-	22.22	Cast Iron	FHC6006
100 (43,C2)	2.1	08/79	07/81	22.22	Cast Iron	FHC6016
100 (44,44Q,C3)	2.2	01/88	-	22.22	Cast Iron	FHC6006
100 (44,44Q,C3)	2.2 E	-	-	22.22	Cast Iron	FHC6016
100 (4A,C4)	2.6	-	-	22.22	Cast Iron	FHC6006
200 (43)	2.1 5 T	-	-	22.22	Cast Iron	FHC6016
200 (44,44Q)	2.3	-	12/88	22.22	Cast Iron	FHC6016
200 (44,44Q)	2.2 Turbo	-	-	22.22	Cast Iron	FHC6006
A2 (8Z0)	1.2 TDI	-	-	19.05	Aluminium	FHC6033
A3 (8L1)	1.8 T	-	06/03	19.05	Aluminium	FHC6033
A3 (8P1)	2.0 FSI	-	-	19.05	Aluminium	FHC6078
A3 Hatchback (8PA)	2.0 FSI	-	-	19.05	Aluminium	FHC6078
A4 (8D2,B5)	1.9 TDI	03/96	-	22.22	Cast Iron	FHC6064
A4 (8D2,B5)	1.9 TDI	-	-	22.20	Cast Iron	FHC6076
A4 (8E2,B6)	2.5 TDI	-	-	22.20	Cast Iron	FHC6076
A4 Convertible (8H7,8HE)	1.8 T	-	-	22.20	Cast Iron	FHC6076
A6 (4A,C4)	2.0	-	-	22.22	Cast Iron	FHC6006
A6 (4B,C5)	2.4	-	-	22.20	Cast Iron	FHC6076
A6 (4B,C5)	1.9 TDI	-	-	22.22	Cast Iron	FHC6064
A8 (4D2,4D8)	2.5 TDI	-	-	22.20	Cast Iron	FHC6076
ALLROAD (4BH)	2.7 T	-	-	22.20	Cast Iron	FHC6076
CABRIOLET (8G7,B4)	2.0 E	-	-	22.22	Cast Iron	FHC6006

SLAVE CYLINDER CLUTCH



21



Material



...AUDI

COUPE (81,85)	2.3	-	12/87	22.22	Cast Iron	FHC6016
COUPE (89,8B)	2.3	-	10/88	22.22	Cast Iron	FHC6016
COUPE (89,8B)	2.3	11/88	-	22.22	Cast Iron	FHC6006
QUATTRO (85)	2.2 Turbo	-	-	22.22	Cast Iron	FHC6006
QUATTRO (85)	2.2 Turbo	-	-	22.22	Cast Iron	FHC6016
TT (8N3)	1.8 T	-	08/02	19.05	Aluminium	FHC6033
TTConvertible (8N9)	1.8 T	-	-	19.05	Aluminium	FHC6033

BMW

2000-3.2Coupe (E9)	3.0 CS	09/73	-	22.20	Cast Iron	FHC6063
2500-3.3 (E3)	2500	09/73	-	22.20	Cast Iron	FHC6063
1 (E81,E87)	120d	-	-	22.22	Cast Iron	FHC6011
3 (E21)	323 i	02/78	-	20.64	Cast Iron	FHC6007
3 (E30)	324 d	-	-	22.20	Cast Iron	FHC6063
3 (E30)	324 td	-	-	20.64	Cast Iron	FHC6007
3 (E36)	316 i	01/90	-	20.64	Cast Iron	FHC6010
3 (E36)	M3 3.2	-	-	22.22	Cast Iron	FHC6011
3 (E46)	330 d	-	-	22.20	Cast Iron	FHC6054
3Convertible (E30)	320 i	-	12/92	20.64	Cast Iron	FHC6007
3Convertible (E36)	318 i	-	-	20.64	Cast Iron	FHC6010
3Convertible (E36)	M3 3.0	-	-	22.22	Cast Iron	FHC6011
3Convertible (E46)	325 Ci	10/00	-	22.20	Cast Iron	FHC6054
3Coupe (E36)	318 is	-	-	20.64	Cast Iron	FHC6010
3Coupe (E36)	M3 3.0	-	-	22.22	Cast Iron	FHC6011
3Coupe (E46)	330 Cd	-	-	22.20	Cast Iron	FHC6054
5 (E12)	518 i	09/79	-	20.64	Cast Iron	FHC6007
5 (E28)	518 i	01/83	-	20.64	Cast Iron	FHC6007
5 (E28)	524 d	05/86	-	22.20	Cast Iron	FHC6063
5 (E34)	525 i	-	-	22.20	Cast Iron	FHC6063
5 (E34)	525 tds	-	-	22.22	Cast Iron	FHC6011
5 (E39)	523 i	12/95	-	22.22	Cast Iron	FHC6011
5 (E60)	525d	-	-	22.22	Cast Iron	FHC6011
6 (E24)	635 CSi	-	04/89	20.64	Cast Iron	FHC6007
6 (E63)	645Ci	-	-	22.22	Cast Iron	FHC6011
6Convertible (E64)	630i	-	-	22.22	Cast Iron	FHC6011
6Convertible (E64)	645Ci	-	-	22.20	Cast Iron	FHC6054
7 (E23)	733 i	-	-	22.20	Cast Iron	FHC6063
7 (E32)	730 i,iL	01/87	06/94	22.20	Cast Iron	FHC6063
7 (E32)	730 i,iL V8	06/92	06/94	22.22	Cast Iron	FHC6011
7 (E38)	725 tds	05/96	-	22.22	Cast Iron	FHC6011
X3 (E83)	3.0 d	-	-	22.20	Cast Iron	FHC6054
X5 (E53)	3.0 d	-	-	22.22	Cast Iron	FHC6011
Z1	2.5	07/88	-	20.64	Cast Iron	FHC6007
Z3	1.9	-	-	20.64	Cast Iron	FHC6010
Z3	2.2	10/00	-	22.22	Cast Iron	FHC6011
Z3 Coupe	2.8	-	01/99	20.64	Cast Iron	FHC6010
Z3 Coupe	3.2 M	-	-	22.22	Cast Iron	FHC6011
Z4 (E85)	2.2 i	-	-	22.20	Cast Iron	FHC6054
Z8	4.9	-	-	22.22	Cast Iron	FHC6011

FIAT

BRAVA (182)	1.2 16V 80	-	-	25.40	Cast Iron	FHC6009
BRAVA (182)	1.9 JTD 105	-	-	25.40	Cast Iron	FHC6001
BRAVO (182)	1.4 (182.AA)	-	10/88	25.40	Cast Iron	FHC6009

SLAVE CYLINDER CLUTCH



21



Material



...FIAT

BRAVO (182)	2.0 HGT 20V (182.AD)	-	-	25.40	Cast Iron	FHC6001
PUNTO (176)	1.4 GT Turbo	-	-	20.64	Cast Iron	FHC6059
PUNTO (176)	55 1.1	-	12/99	25.40	Cast Iron	FHC6009
PUNTO (188)	1.2 16V 80 (188.233, .235, .253, .255, .333, .353, .639, .636)	-	-	20.64	Cast Iron	FHC6035
PUNTO (188)	1.8 130 HGT (188.738, .718)	-	-	20.64	Cast Iron	FHC6029
PUNTO (188)	1.8 130 HGT (188.738, .718)	-	-	20.64	Cast Iron	FHC6031
STILO (192)	1.6 16V (192, XB1A)	-	-	20.64	Cast Iron	FHC6035
UNO (146A/E)	1.4 Turbo i.e.	-	-	20.64	Cast Iron	FHC6059
UNO (146A/E)	50 i.e. 1.1	-	-	25.40	Cast Iron	FHC6001
X1/9 (128AS)	1.5 Five Speed	-	-	19.05	Cast Iron	FHC6050

FORD

BANTAM	1600 Sport	01/95	12/98	19.05	-	FHC6165
LASER	All	01/88	12/96	19.05	Cast Iron	FHC6112
LASER	All	01/91	-	19.05	Cast Iron	FHC6112
LASER	All	01/95	-	19.05	Cast Iron	FHC6112
METEOR	All	01/88	12/92	19.05	Cast Iron	FHC6112
METEOR	All	01/88	12/96	19.05	Cast Iron	FHC6112
TELSTAR	Telstar	01/93	12/96	19.05	-	FHC6166

HONDA

ACCORD (SJ,SY)	1.6 L/EX (SY)	-	08/78	19.05	Aluminium	FHC6084
ACCORD MkIV (CB3,CB7)	2.2 i 16V Automatik (CB7)	-	-	19.05	Cast Iron	FHC6053
CIVIC MkIV (EG,EH)	1.5 i 16V (EG8)	-	09/95	19.05	Cast Iron	FHC6044
CIVIC MkIV Hatchback (EG)	1.6 16V Vtec (EG5)	-	-	19.05	Cast Iron	FHC6044
CIVIC MkIV Hatchback (MA,MB)	1.5 i Vtec-E (MA9)	01/95	06/96	19.05	Cast Iron	FHC6044
CIVIC MkV (EJ9,EK3/4)	1.4 i (EJ9)	-	-	19.05	Cast Iron	FHC6044
CIVIC MkV Hatchback (EJ9,EK1/3/4)	1.6 VTi (EK4)	-	-	19.05	Cast Iron	FHC6044
CIVIC MkV Hatchback (MB)	1.4 16V (MB2)	-	-	19.05	Cast Iron	FHC6044
CRX MkIII (EH,EG)	1.6 i VTi (EG2)	-	-	19.05	Cast Iron	FHC6044
PRELUDE Coupe (SN)	1.6	-	-	19.05	Aluminium	FHC6084
PRELUDE MkIII (BA)	2.0 i EX 16V	-	-	19.05	Cast Iron	FHC6094
PRELUDE MkIV (BB)	2.2 i 16V Vtec (BB1)	-	-	19.05	Cast Iron	FHC6053
PRELUDE MkV (BB)	2.2 16V	-	-	19.05	Cast Iron	FHC6053

HYUNDAI

ELANTRA	All	01/92	12/97	20.64	Cast Iron	FHC6158
SONATA	All	01/92	12/98	20.64	Cast Iron	FHC6158
SONATA (Y-2)	2.0 i 16V	06/91	-	20.64	Cast Iron	FHC6051
SONATA MkII (Y-3)	1.8 i	-	-	20.64	Cast Iron	FHC6110
SONATA MkIII (EF)	2.4 16V	-	-	20.64	Cast Iron	FHC6110

ISUZU

FRONTIER	2800	01/87	12/91	22.22	-	FHC6168
KB	2.0	01/94	12/97	20.64	-	FHC6162
KB	2.3	01/87	12/89	20.64	-	FHC6162
KB	2.3	01/88	12/91	20.64	-	FHC6162
KB	2.3	01/91	12/93	20.64	-	FHC6162
KB	2.6	01/88	12/92	20.64	-	FHC6162
KB	All	01/87	12/89	20.64	Cast Iron	FHC6161
KB	All	01/88	12/91	20.64	Cast Iron	FHC6161
KB	All	01/88	12/92	20.64	Cast Iron	FHC6161

SLAVE CYLINDER CLUTCH



21



Material



...ISUZU						
KB	All	01/94	12/97	20.64	Cast Iron	FHC6161
KB DIESEL	2.2	01/81	12/89	20.64	Cast Iron	FHC6162
KB DIESEL	2.5	01/87	12/92	20.64	-	FHC6162
KB DIESEL	2.5	01/91	12/97	20.64	-	FHC6162
KB DIESEL	All	01/87	12/92	20.64	Aluminium	FHC6161
KB DIESEL	All	01/88	12/94	20.64	Cast Iron	FHC6161
LE	All	-	-	20.64	Cast Iron	FHC6161
TROOPER OpenOff-RoadVehicle (UB)	2.6 i (UBS17)	01/89	-	22.22	Cast Iron	FHC6100
TROOPER OpenOff-RoadVehicle (UB)	2.6 i (UBS17)	-	-	22.22	Cast Iron	FHC6090
JEEP						
CHEROKEE (XJ)	2.1 TD	-	-	22.22	Cast Iron	FHC6057
KIA						
2700 Kerri van 2.7D	2700	01/03	12/04	19.05	-	FHC6164
LADA						
NIVA 2121	1.6	01/78	12/95	19.05	Cast Iron	FHC6041
NIVA 2121 DIESEL	1.9	01/78	12/95	19.05	Cast Iron	FHC6041
NIVA 2122	1.7	01/78	12/95	19.05	Cast Iron	FHC6041
LAND ROVER						
88/109	2.3 (LR 88 OL, LR 109 OL)	10/83	-	22.22	Cast Iron	FHC6043
88/109 ClosedOff-RoadVehicle	2.3 (LR 88 OP, LR 109 OP)	10/83	-	22.22	Cast Iron	FHC6043
90/110 (DHMC)	2.5 TD	-	-	22.22	Cast Iron	FHC6043
DISCOVERY (LJ, LG)	2.5 TDI	-	-	22.22	Cast Iron	FHC6034
RANGEROVER (AE, AN, HAA, HAB, HAM, HBM, RE, RN)	3.5 Vogue	-	-	22.22	Cast Iron	FHC6034
MAZDA						
323	All	01/88	12/95	19.05	Cast Iron	FHC6112
323	All	01/88	12/96	19.05	Cast Iron	FHC6112
323	All	01/95	12/96	19.05	Cast Iron	FHC6112
323	All	01/95	12/96	19.05	Cast Iron	FHC6112
323	All	01/95	12/96	19.05	Cast Iron	FHC6112
626	All	01/82	12/92	19.05	Cast Iron	FHC6112
626	All	01/82	12/92	19.05	Cast Iron	FHC6112
626	All	01/95	12/03	19.05	Cast Iron	FHC6112
323 C MkIV (BG)	1.8 16V Turbo	-	-	19.05	Cast Iron	FHC6096
323 MkIII (BF)	1.6 GT Turbo	-	-	19.05	Cast Iron	FHC6096
626 (CB)	2.0	-	12/80	19.05	Cast Iron	FHC6075
B-SERIE (PE)	1.8	-	-	19.05	Cast Iron	FHC6075
B-SERIE (UF)	2.0	-	-	19.05	Cast Iron	FHC6097
B-SERIE (UF)	2.6 12V	-	-	19.05	Cast Iron	FHC6099
B-SERIES	All	01/71	12/80	19.05	Cast Iron	FHC6160
B-SERIES	All	01/80	12/85	19.05	Cast Iron	FHC6160
B-SERIES	All	01/82	12/85	19.05	Cast Iron	FHC6160
DRIFTER B-SERIES	All	01/89	12/93	19.05	Cast Iron	FHC6151

SLAVE CYLINDER CLUTCH



21



Material



MERCEDES BENZ

C-CLASS (W202)	C 180 (202.018)	06/93	-	23.81	Cast Iron	FHC6013
CLK (C208)	200 Kompressor (208.345)	-	-	23.81	Cast Iron	FHC6013
CLK Convertible (A208)	230 Kompressor (208.448)	-	-	23.81	Cast Iron	FHC6013
E-CLASS (W124)	E 200 D (124.120)	07/93	-	23.81	Cast Iron	FHC6008
E-CLASS (W124)	E 250 Turbo-D (124.128)	07/93	-	23.81	Cast Iron	FHC6013
E-CLASS Coupe (C124)	E 200 (124.040)	-	-	23.81	Cast Iron	FHC6008
E-CLASS Coupe (C124)	E 36 AMG (124.052)	-	06/96	23.81	Cast Iron	FHC6013
E-CLASS Estate (S124)	E 280 T (124.088)	07/93	05/96	23.81	Cast Iron	FHC6013
KOMBI Estate (S123)	240 T D	02/78	-	23.81	Cast Iron	FHC6017
KOMBI Estate (S123)	240 T D	-	-	23.81	Cast Iron	FHC6008
KOMBI Estate (S124)	250 T D (124.185)	10/85	08/89	23.81	Cast Iron	FHC6008
KOMBI Estate (S124)	250 T D (124.185)	09/89	-	23.81	Cast Iron	FHC6013
M-CLASS (W163)	ML 230 (163.136)	03/98	-	23.81	Cast Iron	FHC6013
Saloon (W123)	230 E (123.223)	06/80	09/85	23.81	Cast Iron	FHC6008
Saloon (W123)	300 D (123.130)	-	07/85	23.81	Cast Iron	FHC6017
Saloon (W124)	220 E (124.022)	-	-	23.81	Cast Iron	FHC6013
Saloon (W124)	250 D (124.125)	-	08/89	23.81	Cast Iron	FHC6008
S-CLASS (W108,W109)	300 SEL (109.016)	-	12/70	23.81	Cast Iron	FHC6017
S-CLASS (W116)	280 SE,SEL (116.024)	01/74	04/80	23.81	Cast Iron	FHC6017
S-CLASS (W126)	260 SE (126.020)	-	-	23.81	Cast Iron	FHC6008
S-CLASS (W126)	280 SE,SEL (126.022, 126.023)	01/80	-	23.81	Cast Iron	FHC6017
SL (R107)	280 SL (107.042)	09/74	-	23.81	Cast Iron	FHC6017
SL (R107)	280 SL (107.042)	-	-	23.81	Cast Iron	FHC6008
SL Coupe (C107)	280 SLC (107.022)	09/74	03/80	23.81	Cast Iron	FHC6017
SPRINTER 2+Bus (901,902)	210 D	-	-	23.81	Cast Iron	FHC6017
SPRINTER 2+Bus (901,902)	214 NGT	-	-	22.22	Cast Iron	FHC6045
SPRINTER 3+Bus (903)	316 CDI	-	-	22.22	Cast Iron	FHC6045
SPRINTER 4+Bus (904)	413 CDI	-	-	22.22	Cast Iron	FHC6045

MG

MIDGET	1.5	-	-	22.22	Cast Iron	FHC6103
--------	-----	---	---	-------	-----------	---------

MITSUBISHI

3000 GT (Z16A)	3.0 i 24V	-	-	19.05	Cast Iron	FHC6098
----------------	-----------	---	---	-------	-----------	---------

NISSAN

1 TON pickup	All	01/87	12/92	17.46	Cast Iron	FHC6093
1 TONNER AW	1.6	01/88	12/97	19.05	Cast Iron	FHC6061
1 TONNER AW	1.8	01/88	12/97	19.05	Cast Iron	FHC6061
300ZX (Z31)	3.0 Turbo	-	-	19.05	Cast Iron	FHC6092
HI RIDER	2.4	01/90	12/97	19.05	Cast Iron	FHC6061
LANGLEY (N12)	1.5	-	-	25.40	Cast Iron	FHC6003
LANGLEY Coupe (N10)	1.4	-	-	19.05	Cast Iron	FHC6085
LAUREL (HLC230)	2.4	-	-	19.05	Cast Iron	FHC6082
LAUREL (JC31)	2.0	-	-	19.05	Cast Iron	FHC6086
PATHFINDER	All	01/87	12/92	17.46	Cast Iron	FHC6093
PICKUP (720)	1.8	-	-	19.05	Cast Iron	FHC6083
PICKUP (720)	1.8	-	-	19.05	Cast Iron	FHC6086
PICKUP (D21)	2.4 i 12V	-	02/93	17.46	Cast Iron	FHC6072
SANI 4X2	2.4	01/90	12/97	19.05	Cast Iron	FHC6061
SENTRA	All	01/87	12/92	19.05	Cast Iron	FHC6061
TERRANO 2	All	01/87	12/93	17.46	Cast Iron	FHC6093
TERRANO 2	All	01/87	12/93	17.46	Cast Iron	FHC6093

SLAVE CYLINDER CLUTCH



21



Material



...NISSAN						
TERRANO MkII (R20)	2.4	-	-	17.46	Cast Iron	FHC6070
TERRANO MkII (R20)	2.7 TD	05/93	12/94	17.46	Aluminium	FHC6042
PEUGEOT						
504 (A,M)	1.9 D (M20)	-	-	28.57	Cast Iron	FHC6018
504 (A,M)	1.9 D (M20)	-	-	28.57	Cast Iron	FHC6025
504 (A,M)	2.1 D (A20, M20)	08/77	07/79	28.57	Cast Iron	FHC6023
504 Estate (D,F)	2.0 (D11, F11)	11/74	07/85	28.57	Cast Iron	FHC6025
504 Estate (D,F)	2.0 (D11, F11)	-	11/74	28.57	Cast Iron	FHC6018
J7 Bus	1.9 D	-	-	28.57	Cast Iron	FHC6018
J9 Bus	2.3 D	-	-	28.57	Cast Iron	FHC6018
PORSCHE						
BOXSTER (986)	S 3,2	-	-	22.22	Cast Iron	FHC6006
RENAULT						
20 (127)	2.1 TD	-	-	28.57	Cast Iron	FHC6052
25 (B29)	2.5 V6 Turbo (B29G)	-	-	28.57	Cast Iron	FHC6052
30 (127)	2.6 (1273)	-	-	28.57	Cast Iron	FHC6052
ROVER						
1100	1.1	01/65	12/72	22.22	Cast Iron	FHC6022
11/55	All	01/65	12/72	22.22	Cast Iron	FHC6022
MARINA	All	01/75	12/80	22.22	Cast Iron	FHC6022
MIDGIT MKII	All	01/66	12/74	22.22	Cast Iron	FHC6022
MINI	1.0	01/65	12/78	22.22	Cast Iron	FHC6022
SAAB						
900 (AC4,AM4)	2.0 Turbo	-	-	19.05	Aluminium	FHC6038
903 Convertible	2.0 S Turbo-16	-	-	19.05	Aluminium	FHC6038
9000	2.3 -16 Turbo	-	-	19.05	Aluminium	FHC6039
SEAT						
ALTEA (5P1)	1.9 TDI	-	-	19.05	Aluminium	FHC6078
LEON (1M1)	1.8 20V T	-	-	19.05	Aluminium	FHC6033
LEON (1P1)	2.0 FSI	-	-	19.05	Aluminium	FHC6078
SSANGYONG						
KORANDO		-	-	17.5	-	FHC6170
TOYOTA						
4RUNNER (N130)	2.4 (RN61)	-	-	20.64	Cast Iron	FHC6055
AVENSIS (T22)	1.6 (AT220)	10/97	-	20.64	Cast Iron	FHC6091
CAMRY (V2)	1.8 i (SV20)	-	10/86	20.64	Cast Iron	FHC6066
CAMRY (V2)	2.0 Gti 16V (SV21, SV25)	-	-	20.64	Cast Iron	FHC6089
CAMRY Saloon (V1)	1.8 Turbo-D	-	08/85	20.64	Cast Iron	FHC6066
CARINA (TA4L,TA6L)	1.8	08/81	-	20.64	Cast Iron	FHC6081
CARINA E (T19)	1.6 16V	-	-	20.64	Cast Iron	FHC6091

SLAVE CYLINDER CLUTCH



21



Material



...TOYOTA

CARINA E (T19)	1.6 16V	-	-	20.64	Cast Iron	FHC6060
CARINA E (T19)	2.0 GLI (ST191)	-	12/94	20.64	Cast Iron	FHC6089
CARINA MkII (T15)	1.6 (AT151)	-	-	20.64	Cast Iron	FHC6071
CARINA MkII (T15)	1.6 (AT171)	-	-	20.64	Cast Iron	FHC6091
CARINA MkII (T15)	1.6 (AT171)	-	-	20.64	Cast Iron	FHC6060
CARINA MkII (T15)	2.0 D	01/87	-	20.64	Cast Iron	FHC6066
CARINA MkII (T15)	2.0 D	-	05/92	20.64	Cast Iron	FHC6066
CARINA MkII (T15)	2.0 GLI (ST171)	-	-	20.64	Cast Iron	FHC6089
COROLLA (E10)	1.3 XLI 16V (EE101)	-	-	20.64	Cast Iron	FHC6048
COROLLA (E10)	1.6 Si (AE101)	-	-	20.64	Cast Iron	FHC6091
COROLLA (E10)	2.0 D (CE100)	-	-	20.64	Cast Iron	FHC6066
COROLLA (E11)	1.3 (EE111)	-	04/97	20.64	Cast Iron	FHC6048
COROLLA (E11)	1.3 (EE111)	-	-	22.20	Cast Iron	FHC6077
COROLLA (E11)	1.6 (AE111)	09/98	-	20.64	Cast Iron	FHC6091
COROLLA (E11)	2.0 D (CE110)	-	04/97	20.64	Cast Iron	FHC6066
COROLLA (E7)	1.6 (TE71)	-	05/83	20.64	Cast Iron	FHC6081
COROLLA (E7)	1.6 (TE71)	05/83	-	20.64	Cast Iron	FHC6071
COROLLA (E7)	1.8 D (CE70)	05/83	-	20.64	Cast Iron	FHC6066
COROLLA (E8)	1.6	-	09/87	20.64	Cast Iron	FHC6071
COROLLA (E8)	1.3 (AE80/EE80)	01/85	-	20.64	Cast Iron	FHC6048
COROLLA (E8)	1.6 (AE82)	-	-	22.20	Cast Iron	FHC6077
COROLLA (E8)	1.8 D	-	-	20.64	Cast Iron	FHC6066
COROLLA (E9)	1.3 i (EE90)	-	08/87	20.64	Cast Iron	FHC6048
COROLLA (E9)	1.6 (AE92)	-	09/87	20.64	Cast Iron	FHC6071
COROLLA (E9)	1.6 (AE92)	-	-	20.64	Cast Iron	FHC6060
COROLLA (E9)	1.6 i	-	-	20.64	Cast Iron	FHC6091
COROLLA (E9)	1.8 D	-	05/92	20.64	Cast Iron	FHC6066
COROLLA FX Hatchback (E8B)	1.3	-	05/86	20.64	Cast Iron	FHC6071
COROLLA FX Hatchback (E8B)	1.3	01/85	-	20.64	Cast Iron	FHC6048
COROLLA FX Hatchback (E8B)	1.8 D	-	-	20.64	Cast Iron	FHC6066
COROLLA Hatchback (E10)	1.3 XLI 16V (EE101)	-	-	20.64	Cast Iron	FHC6048
COROLLA Hatchback (E10)	1.6 Si (AE101)	08/95	-	20.64	Cast Iron	FHC6091
COROLLA Hatchback (E10)	1.6 Si (AE101)	-	-	20.64	Cast Iron	FHC6060
COROLLA Hatchback (E10)	2.0 D (CE100)	-	-	20.64	Cast Iron	FHC6066
COROLLA Hatchback (E11)	1.4 (EE111)	-	04/97	20.64	Cast Iron	FHC6048
COROLLA Hatchback (E11)	1.6 Aut. (AE111)	-	-	20.64	Cast Iron	FHC6091
COROLLA Hatchback (E11)	2.0 D (CE110)	-	04/97	20.64	Cast Iron	FHC6066
COROLLA Hatchback (E7)	1.6 (TE71)	-	08/80	20.64	Cast Iron	FHC6080
COROLLA Hatchback (E7)	1.6 (TE71)	08/80	-	20.64	Cast Iron	FHC6081
COROLLA Hatchback (E8)	1.3 (EE80)	01/85	-	20.64	Cast Iron	FHC6048
COROLLA Hatchback (E8)	1.6 (AE82)	-	-	20.64	Cast Iron	FHC6071
COROLLA Hatchback (E8)	1.8 D	-	09/87	20.64	Cast Iron	FHC6066
COROLLA Hatchback (E9)	1.3 (EE90)	-	-	20.64	Cast Iron	FHC6048
COROLLA Hatchback (E9)	1.6 (AE92)	-	-	20.64	Cast Iron	FHC6091
COROLLA Hatchback (E9)	1.6 GTi (AE92)	-	09/87	20.64	Cast Iron	FHC6071
COROLLA Hatchback (E9)	1.6 GTi (AE92)	-	-	20.64	Cast Iron	FHC6060
COROLLA Hatchback (E9)	1.8 D (CE90)	-	-	20.64	Cast Iron	FHC6066
CORONA Hatchback (TT)	1.8	08/79	08/80	20.64	Cast Iron	FHC6080
CORONA Hatchback (TT)	1.8	08/80	-	20.64	Cast Iron	FHC6081
CRESSIDA	3000	-	-	-	-	FHC6169
CRESSIDA Saloon (RX3)	2.0 (RX30)	-	-	20.64	Cast Iron	FHC6081
CRESSIDA Saloon (RX3)	2.0 (RX30)	-	-	20.64	Cast Iron	FHC6091
HI-ACE	All	01/77	12/86	19.05	Cast Iron	FHC6159
HIACE I Box (H)	2.0 (RH25-32)	-	-	20.64	Cast Iron	FHC6060
HIACE II Box (H5)	1.8	-	08/86	20.64	Cast Iron	FHC6055
HIACE II Box (H5)	2.0	-	-	20.64	Cast Iron	FHC6060

SLAVE CYLINDER CLUTCH



21



Material



...TOYOTA

HIACE II Box (H5)	1.8 (H5G)	-	08/86	20.64	Cast Iron	FHC6055
HIACE III Box (H10)	2.0	-	-	20.64	Cast Iron	FHC6060
HI-LUX	All	01/79	12/86	19.05	Cast Iron	FHC6159
HILUX Pickup (N)	2.2 (YN106, YN110)	08/88	-	20.64	Cast Iron	FHC6055
HILUX Pickup (N)	2.4 D	-	-	20.64	Cast Iron	FHC6066
LANCRUISER (D, HJ)	3860	-	-	20.64	-	FHC6167
LANDCRUISER (J7)	2.4 (RJ70, RJ73)	-	08/88	20.64	Cast Iron	FHC6055
SUPRA (JZA70, JZA80)	3.0 i Bi-Turbo	-	-	20.64	Cast Iron	FHC6073
SUPRA (MA70)	3.0 24V	-	-	20.64	Cast Iron	FHC6073

VOLKSWAGON

BORA (1J2)	2.3 V5	-	-	19.05	Aluminium	FHC6033
CADDY MkII (9K9A)	1.9 TDI	-	-	23.81	Cast Iron	FHC6002
GOLF MkII (19E, 1G1)	1.8 GTI G60	-	-	23.81	Cast Iron	FHC6002
GOLF MkIII (1H1)	1.9 TDI	-	-	23.81	Cast Iron	FHC6002
GOLF MkIV (1J1)	2.3 V5	10/97	-	19.05	Aluminium	FHC6033
GOLF PLUS (5M1, 521)	2.0 FSI	-	-	19.05	Aluminium	FHC6078
GOLF V (1K1)	1.4 FSI	-	-	19.05	Aluminium	FHC6078
NEW BEETLE (9C1, 1C1)	1.6	11/99	-	19.05	Aluminium	FHC6033
PASSAT (32B)	2.2	08/85	-	22.22	Cast Iron	FHC6016
PASSAT (3A2, 351)	1.6 TD	-	-	23.81	Cast Iron	FHC6002
PASSAT (3B2)	2.8 V6	-	-	22.22	Cast Iron	FHC6064
PASSAT (3B2)	2.8 V6	-	-	22.20	Cast Iron	FHC6076
PASSAT (3B3)	2.0	-	-	22.20	Cast Iron	FHC6076
PASSAT (3B3)	2.5 TDI	-	-	22.22	Cast Iron	FHC6064
PASSAT Saloon (32B)	2.2	08/85	-	22.22	Cast Iron	FHC6016
POLO (6N2)	1.4 TDI	-	-	19.05	Aluminium	FHC6033
POLO Saloon (6KV2)	1.9 TDI	-	-	23.81	Cast Iron	FHC6002
TOURAN (1T1, 1T2)	1.9 TDI	-	-	19.05	Aluminium	FHC6078
TRANSPORTER MkIII Bus	2.1	-	-	25.40	Cast Iron	FHC6014
TRANSPORTER MkIV Bus (70XB, 70XC, 7DB, 7DW)	2.5	-	-	23.81	Cast Iron	FHC6002
TRANSPORTER MkIV Bus (70XB, 70XC, 7DB, 7DW)	2.5	-	-	19.05	Aluminium	FHC6033
VENTO (1H2)	1.9 TDI	-	-	23.81	Cast Iron	FHC6002

VOLVO

240 (P242, P244)	2.1	-	-	22.22	Cast Iron	FHC6046
740 (744)	2.3	-	-	22.22	Cast Iron	FHC6046
850 (LS)	2.0	-	-	22.22	Cast Iron	FHC6046
940 (944)	2.0	-	-	22.22	Cast Iron	FHC6046
940 MkII (944)	2.4 TD Interc.	-	-	22.22	Cast Iron	FHC6046
960 MkII (964)	2.5	-	-	22.22	Cast Iron	FHC6046
S70 (P80)	2.5 Bifuel	-	-	22.22	Cast Iron	FHC6046
S90	2.9	-	-	22.22	Cast Iron	FHC6046
V70 (P80)	2.3 Turbo	05/97	-	22.22	Cast Iron	FHC6046

COMPETITOR INTERCHANGE

ATE		FERODO		...ATE		FERODO		...ATE		FERODO		...ATE		FERODO	
270653	FHM635	03212015713	FHM576	03212213443	FHM1161	03251905023	FHC6075								
03202001023	FHM1263	03212015723	FHM1259	03212213513	FHM1062	03252004053	FHC6080								
03202004023	FHM1263	03212016813	FHM554	03212213563	FHM1099	03252012013	FHC6007								
03202201083	FHM500	03212018823	FHM586	03212215213	FHM1282	03252204203	FHC6046								
03202201093	FHM501	03212018863	FHM586	03212215413	FHM1229	03252235013	FHC6063								
03202201113	FHM500	03212018953	FHM585	03212221133	FHM571	03252236013	FHC6063								
03202201123	FHM501	03212019813	FHM537	03212230123	FHM596	03252236023	FHC6063								
03202207023	FHM1114	03212020313	FHM1230	03212276003	FHM1169	03252242113	FHC6016								
03202209023	FHM1287	03212020313	FHM585	03212296123	FHM607	03252243003	FHC6006								
03202212013	FHM686	03212020313	FHM586	03212296313	FHM1280	03252308033	FHC6017								
03202214023	FHM1287	03212021913	FHM590	03212302713	FHM1101	03252308113	FHC6017								
03202301213	FHM1007	03212022423	FHM638	03212302913	FHM1087	03252308123	FHC6030								
03202301643	FHM608	03212022823	FHM1230	03212304913	FHM684	03252310113	FHC6008								
03202301663	FHM1007	03212023313	FHM1264	03212309213	FHM1207	03252312103	FHC6008								
03202301673	FHM608	03212023813	FHM541	03212314243	FHM1103	03252313103	FHC6013								
03202301693	FHM608	03212024213	FHM543	03212314283	FHM1120	03252518023	FHC6058								
03202302153	FHM508	03212024823	FHM1197	03212314863	FHM1281	03252522013	FHC6003								
03202308253	FHM1273	03212026513	FHM1014	03212315263	FHM1214	03252525033	FHC6024								
03202308253	FHM508	03212026823	FHM561	03212315463	FHM1116	03252526023	FHC6037								
03202308463	FHM1273	03212027443	FHM625	03212315483	FHM1051	03252527113	FHC6014								
03202501113	FHM507	03212027623	FHM638	03212315813	FHM691	03253801013	FHC6032								
03202502113	FHM509	03212029623	FHM627	03212317343	FHM1019	03253801043	FHC6032								
03210001033	FHM682	03212037713	FHM570	03212321413	FHM1178	03271505013	FHW4244								
03211729013	FHM1260	03212039433	FHM1014	03212321463	FHM1178	03271506013	FHW4349								
03211733113	FHM504	03212039433	FHM570	03212325813	FHM1208	03271707013	FHW4257								
03211735113	FHM1260	03212041663	FHM1267	03212327213	FHM1145	03271709013	FHW4348								
03211736113	FHM1260	03212042213	FHM1096	03212385123	FHM612	03271918013	FHW4345								
03211906613	FHM527	03212043213	FHM1105	03212392073	FHM630	03271919013	FHW4346								
03211907803	FHM519	03212043813	FHM1218	03212519023	FHM617	03271920013	FHW4347								
03211907813	FHM519	03212044413	FHM1141	03212527113	FHM1200	03271921013	FHW4353								
03211912813	FHM1025	03212044613	FHM1224	03212530113	FHM1107	03271922013	FHW4201								
03211933823	FHM525	03212045043	FHM596	03212532103	FHM1200	03272016023	FHW4313								
03211933893	FHM525	03212060123	FHM1257	03212538013	FHM698	03272017023	FHW4314								
03211933893	FHM526	03212060133	FHM1257	03212581113	FHM1211	03272302013	FHW159								
03211933913	FHM622	03212084113	FHM1257	03241703013	FHC5074	03272303013	FHW160								
03211934223	FHM525	03212087123	FHM1259	03241909123	FHC5011	03311714083	FHM1044								
03211958113	FHM515	03212096073	FHM576	03241909173	FHC5029	03311901403	FHM1173								
03211968113	FHM515	03212096113	FHM576	03241909193	FHC5026	03311901803	FHM1013								
03211985113	FHM1015	03212096133	FHM576	03241912063	FHC5025	03311993003	FHM1092								
03211987113	FHM1015	03212097113	FHM576	03241969013	FHC5076	03311995003	FHM1184								
03211989113	FHM515	03212097133	FHM576	03241975003	FHC5073	03311996203	FHM1168								
03211991113	FHM1193	03212099023	FHM1006	03241980003	FHC5021	03311998023	FHM1018								
03211995113	FHM515	03212099113	FHM1006	03241981503	FHC5068	03311998033	FHM1018								
03212001123	FHM1100	03212099143	FHM1006	03241982123	FHC5017	03312017003	FHM1189								
03212001133	FHM685	03212201423	FHM596	03241984013	FHC5026	03312230123	FHM596								
03212001483	FHM578	03212202513	FHM1002	03241986013	FHC5054	03320007063	FHW4139								
03212001513	FHM578	03212202643	FHM606	03241989003	FHC5031	03320008223	FHW325								
03212005383	FHM1270	03212202823	FHM1040	03241990003	FHC5073	03320010243	FHW200								
03212006223	FHM581	03212206213	FHM1198	03241992103	FHC5000	03321408113	FHW004								
03212011213	FHM582	03212206313	FHM1165	03241993103	FHC5008	03321408123	FHW004								
03212011223	FHM582	03212206463	FHM1201	03241995103	FHC5028	03321410013	FHW002								
03212011423	FHM629	03212207213	FHM1202	03241996103	FHC5005	03321410023	FHW002								
03212011813	FHM589	03212209053	FHM1016	03242305013	FHC5010	03321410123	FHW003								
03212014513	FHM1259	03212210013	FHM1165	03242306033	FHC5010	03321512013	FHW4183								
03212014913	FHM1006	03212210423	FHM1002	03251702043	FHC6079	03321515013	FHW4097								
03212014923	FHM1006	03212211843	FHM1140	03251902013	FHC6082	03321517013	FHW317								
03212015313	FHM1006	03212212813	FHM1238	03251902023	FHC6085	03321520013	FHW4204								
03212015313	FHM576	03212213313	FHM1094	03251903013	FHC6084	03321522013	FHW4171								

COMPETITOR INTERCHANGE

...ATE	FERODO	...ATE	FERODO	...ATE	FERODO	...ATE	FERODO
03321523113	FHW005	03322022013	FHW4194	24202517083	FHM1151	24212009133	FHM571
03321525013	FHW4344	03322023013	FHW099	24211715013	FHM639	24212015013	FHM640
03321601013	FHW171	03322026013	FHW098	24211715033	FHM636	24212015023	FHM1012
03321702013	FHW4224	03322030013	FHW053	24211717013	FHM1008	24212015033	FHM1182
03321706023	FHW4078	03322031013	FHW153	24211908023	FHM1290	24212016013	FHM555
03321716013	FHW4312	03322032013	FHW055	24211908043	FHM1290	24212016023	FHM560
03321718113	FHW4013	03322228013	FHW4101	24211908063	FHM1136	24212016033	FHM574
03321721113	FHW010	03322228023	FHW4101	24211908063	FHM1172	24212016043	FHM693
03321721123	FHW010	03322228113	FHW4101	24211908063	FHM1187	24212016053	FHM1261
03321721133	FHW010	03322228123	FHW4101	24211908073	FHM1136	24212016053	FHM568
03321722013	FHW4272	03322242013	FHW4254	24211908083	FHM1179	24212016063	FHM1067
03321722023	FHW337	03322242113	FHW4254	24211908093	FHM1290	24212017013	FHM625
03321722033	FHW4272	03322251113	FHW4104	24211908103	FHM1138	24212017033	FHM620
03321722043	FHW337	03322252113	FHW4022	24211908113	FHM1289	24212017043	FHM623
03321723023	FHW011	03322270013	FHW4333	24211908123	FHM1289	24212017063	FHM637
03321723033	FHW4265	03322271013	FHW4266	24211908153	FHM1031	24212017073	FHM1244
03321724013	FHW4051	03322272013	FHW4245	24211908173	FHM1054	24212017093	FHM1028
03321729013	FHW4310	03322273013	FHW107	24211908183	FHM1089	24212017103	FHM1001
03321732013	FHW4207	03322274013	FHW4059	24211908193	FHM1032	24212017113	FHM558
03321735013	FHW013	03322284013	FHW128	24211908223	FHM1032	24212017123	FHM567
03321735023	FHW013	03322288013	FHW124	24211908223	FHM1289	24212017133	FHM1076
03321735033	FHW4139	03322291013	FHW4339	24211908233	FHM1034	24212017143	FHM1081
03321735123	FHW021	03322293013	FHW4340	24211908243	FHM1029	24212017163	FHM1077
03321735133	FHW4305	03322295013	FHW134	24211908263	FHM1029	24212017193	FHM658
03321737013	FHW169	03322296013	FHW133	24211908263	FHM536	24212017203	FHM1082
03321738013	FHW168	03322304113	FHW4049	24211908273	FHM1009	24212017223	FHM1027
03321909053	FHW030	03322306113	FHW4049	24211908273	FHM1124	24212017233	FHM820
03321920123	FHW4063	03322311113	FHW216	24211908273	FHM534	24212017253	FHM820
03321921023	FHW051	03322311123	FHW216	24211908283	FHM1124	24212017263	FHM1274
03321921063	FHW051	03322312013	FHW147	24211908293	FHM656	24212017273	FHM1037
03321932113	FHW4062	03322313013	FHW146	24211908303	FHM1023	24212017273	FHM1065
03321942013	FHW318	03322322013	FHW4009	24211908313	FHM1034	24212017283	FHM826
03321942023	FHW318	03322323013	FHW158	24211908323	FHM1136	24212017343	FHM1115
03321942113	FHW228	03322324013	FHW147	24211908333	FHM655	24212208013	FHM1016
03321943013	FHW027	03322325013	FHW146	24211909013	FHM1262	24212208013	FHM1052
03321943023	FHW027	03322553013	FHW4037	24211909053	FHM530	24212208023	FHM1060
03321944013	FHW152	03322555113	FHW4031	24211909083	FHM1262	24212209023	FHM1164
03321944023	FHW4001	03322555123	FHW4039	24211909103	FHM524	24212209033	FHM602
03321945013	FHW319	03322818023	FHW150	24211909113	FHM1192	24212209043	FHM1030
03321946213	FHW4216	03322819013	FHW4044	24211909123	FHM522	24212209063	FHM1117
03321947013	FHW025	03322918023	FHW150	24211909143	FHM526	24212209083	FHM1119
03321949023	FHW162	03323018023	FHW4228	24211909153	FHM528	24212216013	FHM682
03321950013	FHW4142	10612303103	FHM1279	24211917013	FHM1177	24212216033	FHM694
03321952013	FHW161	10612303123	FHM1279	24211917023	FHM622	24212217013	FHM649
03321959013	FHW4140	20552010583	FHM1084	24211917033	FHM528	24212217023	FHM1243
03321959023	FHW4140	20552210383	FHM665	24211917043	FHM1192	24212217033	FHM661
03321960013	FHW4295	20552210573	FHM1268	24211917053	FHM522	24212217043	FHM626
03321960023	FHW319	23322809013	FHW150	24211917063	FHM1189	24212217053	FHM1109
03321960023	FHW4295	24202209013	FHM503	24211917083	FHM821	24212217063	FHM1121
03321963003	FHW4150	24202216013	FHM503	24212007013	FHM571	24212217073	FHM634
03321963013	FHW4150	24202217013	FHM1066	24212007023	FHM1004	24212217083	FHM1166
03321963113	FHW041	24202317013	FHM1234	24212008013	FHM1000	24212217093	FHM1157
03322004013	FHW4217	24202516013	FHM1061	24212008023	FHM657	24212217113	FHM1164
03322006013	FHW058	24202517013	FHM1061	24212008033	FHM1098	24212217123	FHM602
03322018013	FHW093	24202517043	FHM1143	24212009083	FHM1182	24212217133	FHM1030
03322018023	FHW4228	24202517053	FHM1129	24212009093	FHM543	24212217153	FHM669
03322018033	FHW093	24202517063	FHM1231	24212009113	FHM1028	24212217163	FHM1132
03322020013	FHW095	24202517073	FHM1097	24212009123	FHM592	24212217173	FHM699

COMPETITOR INTERCHANGE

...ATE		FERODO		...ATE		FERODO		...ATE		FERODO	
24212217193	FHM1085	24212517113	FHM1199	24252809023	FHC6023	24321711143	FHW019				
24212217203	FHM1078	24212517123	FHM1050	24252809033	FHC6018	24321711153	FHW156				
24212217213	FHM1169	24212517133	FHM1123	24252815013	FHC6018	24321711163	FHW015				
24212217233	FHM1135	24212517213	FHM1144	24252816013	FHC6023	24321711173	FHW016				
24212217243	FHM1269	24212517223	FHM1237	24272212013	FHW4008	24321711183	FHW4051				
24212217253	FHM1170	24212517233	FHM1110	24272212023	FHW4007	24321711193	FHW4061				
24212217263	FHM1072	24212517253	FHM1113	24272314013	FHW159	24321711203	FHW4024				
24212217273	FHM1216	24212517263	FHM1235	24272314023	FHW160	24321711213	FHW203				
24212217283	FHM1220	24241517013	FHC5050	24273009013	FHW4208	24321716013	FHW192				
24212217303	FHM1042	24241517023	FHC5058	24273011013	FHW4208	24321717013	FHW329				
24212217313	FHM1088	24241517053	FHC5061	24311908013	FHM1003	24321717023	FHW330				
24212217313	FHM1223	24241909013	FHC5026	24311908023	FHM1022	24321717033	FHW4081				
24212217403	FHM1210	24241909023	FHC5070	24311909013	FHM1021	24321717033	FHW4288				
24212217413	FHM661	24241909033	FHC5006	24311915013	FHM1013	24321717053	FHW229				
24212217423	FHM1166	24241909043	FHC5084	24311917033	FHM1092	24321717063	FHW4272				
24212217453	FHM1139	24241909123	FHC5011	24312017023	FHM1189	24321717073	FHW4312				
24212217463	FHM1233	24241909153	FHC5003	24320009023	FHW170	24321717083	FHW405				
24212316023	FHM683	24241909173	FHC5029	24321409013	FHW002	24321717093	FHW354				
24212316063	FHM646	24241909203	FHC5011	24321409023	FHW4099	24321717103	FHW4018				
24212317013	FHM817	24241909223	FHC5019	24321411013	FHW002	24321717113	FHW404				
24212317033	FHM1125	24241909293	FHC5006	24321411023	FHW003	24321717133	FHW411				
24212317043	FHM1046	24241909353	FHC5026	24321508013	FHW155	24321717143	FHW412				
24212317053	FHM1047	24241909363	FHC5026	24321508023	FHW4014	24321901013	FHW4319				
24212317073	FHM663	24241909373	FHC5076	24321508033	FHW007	24321901023	FHW4318				
24212317083	FHM664	24241909403	FHC5022	24321509013	FHW4344	24321901033	FHW4130				
24212317093	FHM687	24241911013	FHC5042	24321509023	FHW4005	24321904033	FHW4223				
24212317103	FHM823	24241916013	FHC5084	24321509033	FHW4033	24321904043	FHW313				
24212317113	FHM1005	24241917023	FHC5022	24321511013	FHW4097	24321908013	FHW152				
24212317123	FHM1127	24241917033	FHC5003	24321511023	FHW008	24321908023	FHW4001				
24212317133	FHM1283	24241917063	FHC5053	24321511043	FHW4344	24321908033	FHW038				
24212317143	FHM1148	24241917093	FHC5096	24321511053	FHW4183	24321909013	FHW4140				
24212317153	FHM1122	24241917123	FHC5066	24321511063	FHW104	24321909033	FHW026				
24212317173	FHM685	24241917133	FHC5071	24321511073	FHW190	24321909043	FHW034				
24212317183	FHM1068	24241917143	FHC5023	24321512013	FHW4006	24321909053	FHW030				
24212317203	FHM671	24241917153	FHC5004	24321516013	FHW104	24321909063	FHW4047				
24212317243	FHM692	24241917163	FHC5014	24321516023	FHW171	24321909073	FHW039				
24212317253	FHM635	24241917183	FHC5060	24321703053	FHW203	24321909083	FHW040				
24212317323	FHM690	24241917203	FHC5016	24321705053	FHW4184	24321909093	FHW030				
24212317333	FHM1286	24241917213	FHC5001	24321708013	FHW409	24321909093	FHW339				
24212317343	FHM1019	24241917233	FHC5052	24321708023	FHW156	24321911013	FHW025				
24212317353	FHM1276	24241917303	FHC5094	24321709013	FHW4207	24321911023	FHW042				
24212317363	FHM1278	24250012013	FHC6068	24321709023	FHW011	24321911033	FHW038				
24212317373	FHM1160	24251905053	FHC6012	24321709033	FHW4041	24321911053	FHW027				
24212317383	FHM1285	24251917013	FHC6033	24321709053	FHW019	24321911063	FHW191				
24212317393	FHM1095	24251917023	FHC6064	24321709063	FHW015	24321911073	FHW027				
24212317443	FHM1272	24252009033	FHC6010	24321709073	FHW016	24321911073	FHW336				
24212317513	FHM663	24252017013	FHC6010	24321709083	FHW429	24321911103	FHW4100				
24212509013	FHM1024	24252209013	FHC6006	24321711013	FHW011	24321911113	FHW228				
24212515013	FHM1024	24252209033	FHC6046	24321711023	FHW013	24321911123	FHW215				
24212517013	FHM647	24252209053	FHC6011	24321711043	FHW169	24321911143	FHW4216				
24212517023	FHM672	24252217023	FHC6076	24321711053	FHW168	24321911163	FHW178				
24212517033	FHM670	24252217033	FHC6045	24321711063	FHW023	24321911173	FHW179				
24212517033	FHM671	24252217053	FHC6054	24321711073	FHW017	24321911183	FHW035				
24212517043	FHM616	24252309073	FHC6002	24321711083	FHW018	24321911193	FHW202				
24212517053	FHM688	24252309083	FHC6002	24321711093	FHW4041	24321911213	FHW4294				
24212517073	FHM689	24252516013	FHC6068	24321711113	FHW183	24321911213	FHW4321				
24212517083	FHM689	24252517053	FHC6000	24321711123	FHW184	24321911223	FHW4222				
24212517093	FHM689	24252809013	FHC6025	24321711133	FHW4002	24321911223	FHW4322				

COMPETITOR INTERCHANGE

...ATE	FERODO	...ATE	FERODO	...ATE	FERODO	...ATE	FERODO
24321912013	FHW4119	24322011013	FHW095	24322016243	FHW088	24322211213	FHW4340
24321912023	FHW4105	24322011023	FHW207	24322016243	FHW346	24322211223	FHW138
24321914013	FHW161	24322011033	FHW077	24322016253	FHW196	24322211233	FHW139
24321916013	FHW036	24322011043	FHW099	24322016263	FHW197	24322211243	FHW223
24321916023	FHW037	24322011053	FHW053	24322017013	FHW100	24322211253	FHW4245
24321916033	FHW043	24322011063	FHW4083	24322017023	FHW236	24322211263	FHW225
24321916033	FHW047	24322011073	FHW209	24322017033	FHW4077	24322215013	FHW131
24321916043	FHW044	24322011083	FHW210	24322017043	FHW302	24322216033	FHW338
24321916043	FHW048	24322011093	FHW185	24322017053	FHW198	24322216043	FHW140
24321916053	FHW039	24322011103	FHW153	24322017063	FHW199	24322216053	FHW123
24321916063	FHW040	24322011113	FHW195	24322017073	FHW237	24322216083	FHW121
24321916073	FHW202	24322011123	FHW093	24322017083	FHW238	24322216093	FHW122
24321916083	FHW035	24322011123	FHW335	24322017093	FHW231	24322216103	FHW120
24321916093	FHW045	24322011133	FHW219	24322017103	FHW232	24322216113	FHW427
24321916103	FHW046	24322011143	FHW220	24322017113	FHW222	24322216123	FHW431
24321916113	FHW211	24322011153	FHW099	24322017123	FHW058	24322216133	FHW138
24321917013	FHW4271	24322011163	FHW227	24322017133	FHW348	24322216143	FHW139
24321917023	FHW4269	24322011163	FHW301	24322017143	FHW349	24322216153	FHW105
24321917033	FHW162	24322011163	FHW303	24322017153	FHW334	24322216163	FHW321
24321917043	FHW214	24322011173	FHW221	24322017163	FHW4075	24322216173	FHW103
24321917063	FHW4174	24322011183	FHW188	24322017173	FHW358	24322216173	FHW4197
24321917093	FHW328	24322011193	FHW187	24322017183	FHW419	24322216183	FHW102
24321917103	FHW327	24322011203	FHW170	24322017193	FHW410	24322216183	FHW4210
24321917113	FHW177	24322011213	FHW217	24322017203	FHW304	24322217013	FHW094
24321917123	FHW176	24322016013	FHW089	24322017223	FHW4030	24322217033	FHW4333
24321917143	FHW313	24322016013	FHW4057	24322023013	FHW099	24322217043	FHW4266
24321917153	FHW421	24322016023	FHW074	24322202013	FHW4178	24322217073	FHW226
24321917163	FHW4130	24322016023	FHW4069	24322204033	FHW4317	24322217083	FHW128
24321917173	FHW4023	24322016033	FHW068	24322208013	FHW4000	24322217093	FHW133
24321917183	FHW357	24322016033	FHW082	24322208013	FHW4059	24322217093	FHW134
24321917193	FHW4045	24322016043	FHW069	24322208023	FHW4016	24322217103	FHW133
24321917203	FHW4052	24322016043	FHW083	24322208033	FHW4059	24322217103	FHW134
24321917213	FHW307	24322016053	FHW346	24322208043	FHW4157	24322217113	FHW333
24321917223	FHW322	24322016063	FHW347	24322208053	FHW325	24322217123	FHW4137
24321917233	FHW4154	24322016073	FHW062	24322209053	FHW128	24322217133	FHW359
24321917243	FHW4121	24322016083	FHW063	24322209063	FHW128	24322217143	FHW342
24321917253	FHW4076	24322016093	FHW056	24322209113	FHW129	24322217153	FHW403
24321917263	FHW4142	24322016093	FHW072	24322209123	FHW130	24322217163	FHW323
24321917283	FHW425	24322016103	FHW057	24322209133	FHW4278	24322217173	FHW4146
24321917293	FHW4111	24322016103	FHW073	24322211013	FHW107	24322217183	FHW4182
24321917303	FHW4106	24322016113	FHW064	24322211023	FHW124	24322217213	FHW402
24321917313	FHW4128	24322016123	FHW065	24322211033	FHW113	24322217223	FHW401
24321917323	FHW4145	24322016133	FHW082	24322211043	FHW134	24322217233	FHW305
24321917353	FHW418	24322016143	FHW083	24322211053	FHW133	24322308013	FHW4009
24321917363	FHW4136	24322016153	FHW075	24322211063	FHW116	24322308023	FHW4010
24322002013	FHW4077	24322016153	FHW091	24322211073	FHW117	24322309013	FHW158
24322004033	FHW4317	24322016163	FHW076	24322211083	FHW129	24322309033	FHW145
24322008013	FHW4059	24322016163	FHW092	24322211093	FHW130	24322311013	FHW146
24322009013	FHW099	24322016173	FHW086	24322211103	FHW212	24322311023	FHW147
24322009023	FHW170	24322016173	FHW4043	24322211113	FHW106	24322311053	FHW158
24322009033	FHW055	24322016183	FHW087	24322211123	FHW101	24322311063	FHW145
24322009053	FHW098	24322016183	FHW4029	24322211143	FHW194	24322316013	FHW193
24322009063	FHW056	24322016193	FHW054	24322211153	FHW201	24322317073	FHW343
24322009073	FHW057	24322016203	FHW052	24322211163	FHW4011	24322317083	FHW362
24322009083	FHW4004	24322016233	FHW084	24322211173	FHW135	24322317093	FHW4028
24322009093	FHW059	24322016233	FHW090	24322211173	FHW338	24322509013	FHW4181
24322009093	FHW4004	24322016233	FHW347	24322211183	FHW128	24322509023	FHW4037
24322009103	FHW4003	24322016243	FHW085	24322211183	FHW131	24322509033	FHW148

COMPETITOR INTERCHANGE

...ATE

FERODO

24322511013	FHW149
24322511013	FHW4025
24322511023	FHW4021
24322511033	FHW218
24322516013	FHW200
24322517013	FHW244
24322517023	FHW312
24322609013	FHW4202
24322611013	FHW213
24322617013	FHW233
24322809013	FHW150
24322811013	FHW150
24322811023	FHW4044
24322817013	FHW235
24332404013	FHW4217
24412317023	FHM1221
27210001113	FHM1050
27210001143	FHM1050
27210002083	FHM1061
27210002103	FHM1061
27210003013	FHM1012
27210003063	FHM640
27210003103	FHM1013
27210003113	FHM1012
27210003123	FHM1008
27210003133	FHM639
27210003143	FHM1016
27210003173	FHM626
27210003193	FHM525
27210003223	FHM669
27210003243	FHM670
27210003263	FHM671
27210003283	FHM821
27210003293	FHM1027
27210005033	FHM596
27210005043	FHM1085
27210006023	FHM1164
27210006093	FHM1030
27210006193	FHM1117
27210006203	FHM1125
27210006213	FHM1125
27210006233	FHM695
27210007023	FHM557
27210007033	FHM556
27210007093	FHM543
27210007253	FHM560
27210007263	FHM558
27210007293	FHM555
27210007303	FHM1261
27210007313	FHM1261
27210007323	FHM567
27210007333	FHM571
27210007343	FHM1265
27210007353	FHM1261
27210007353	FHM568
27210007363	FHM1076
27210007373	FHM569
27210007383	FHM1119

...ATE

FERODO

27210007413	FHM1081
27210007433	FHM1126
27210007443	FHM1170
27210008013	FHM1021
27210008023	FHM524
27210008083	FHM1192
27210008113	FHM526
27210008213	FHM1016
27210008243	FHM525
27210008263	FHM626
27210008273	FHM620
27210008373	FHM625
27210010043	FHM1177
27210010133	FHM528
27210010223	FHM616
27210010243	FHM1028
27210010263	FHM636
27210010363	FHM620
27210010373	FHM525
27210010433	FHM635
27210013003	FHM1182
27210013053	FHM592
27210013093	FHM592
27241909193	FHC5026
27250008033	FHC6018
27320000033	FHW168
27320001083	FHW030
27320002013	FHW055
27320002023	FHW140
27320002313	FHW045
27320003013	FHW052
27320003023	FHW202
27320003033	FHW043
27320003043	FHW044
27320003083	FHW325
27320003113	FHW212
27320003123	FHW082
27320003133	FHW083
27320003163	FHW201
27320003213	FHW045
27320003223	FHW046
27320003243	FHW178
27320003253	FHW179
27320003263	FHW171
27320003273	FHW222
27320005023	FHW156
27320006023	FHW338
27320006053	FHW034
27320006063	FHW019
27320006073	FHW185
27320006083	FHW104
27320006113	FHW192
27320006123	FHW191
27320006133	FHW106
27320007023	FHW002
27320007033	FHW4150
27320007063	FHW4139
27320008013	FHW170

...ATE

FERODO

27320008023	FHW054
27320008033	FHW105
27320008073	FHW120
27320008083	FHW098
27320008103	FHW039
27320008113	FHW040
27320008123	FHW056
27320008133	FHW057
27320008143	FHW036
27320008153	FHW037
27320008163	FHW035
27320008173	FHW148
27320008183	FHW325
27320008243	FHW116
27320008253	FHW117
27320008273	FHW016
27320008283	FHW133
27320008293	FHW134
27320008303	FHW123
27320008333	FHW064
27320008343	FHW065
27320008353	FHW072
27320008363	FHW073
27320008393	FHW062
27320008403	FHW063
27320008433	FHW046
27320008443	FHW047
27320008453	FHW048
27320008463	FHW215
27320008513	FHW236
27320008523	FHW233
27320008533	FHW244
27320008543	FHW235
27320008553	FHW334
27320010073	FHW129
27320010083	FHW130
27320010143	FHW131
27320010163	FHW145
27320010173	FHW128
27320010213	FHW149
27320010253	FHW133
27320010263	FHW134
27320010273	FHW138
27320010283	FHW139
27320010293	FHW427
27320010303	FHW431
27320010353	FHW068
27320010363	FHW069
27320010443	FHW4057
27320010453	FHW4069
27320010463	FHW4029
27320010473	FHW4043
27320010493	FHW4210
27320010503	FHW4197
27320010543	FHW188
27320010553	FHW187
27320010563	FHW121
27320010573	FHW122

...ATE

FERODO

27320010583	FHW089
27320010593	FHW074
27320010603	FHW090
27320010613	FHW088
27320010623	FHW086
27320010633	FHW087
27320010643	FHW075
27320010653	FHW076
27320010663	FHW103
27320010673	FHW102
27320010683	FHW133
27320010693	FHW134
27320010703	FHW105
27320010733	FHW178
27320010743	FHW179
27320010753	FHW084
27320010763	FHW085
27320010773	FHW211
27320010793	FHW222
27320010803	FHW229
27320012053	FHW128
27320013053	FHW219
27320013063	FHW220
27320013083	FHW100
27320099033	FHW100
27321709023	FHW011
5727205519273	FHW4185

COMPETITOR INTERCHANGE

BENDIX

FERODO

138285	FHM585
144215	FHW4050
144245	FHW002
611189	FHM1056
611260	FHM1189
611281	FHM1184
611341	FHM1173
611361	FHM1092
611411	FHM1168
611438	FHM1013
611457	FHM1021
611505	FHM1021
612014	FHC5003
612042	FHC5006
612082	FHC5070
612085	FHC5006
612103	FHC5084
612136	FHC5006
613007	FHM1257
613011	FHM537
613012	FHM1262
613014	FHM541
613018	FHM543
613022	FHM555
613026	FHM556
613027	FHM557
613029	FHM1261
613031	FHM560
613044	FHM568
613045	FHM508
613383	FHM527
613386	FHM1182
613405	FHM571
613424	FHM519
613463	FHM528
613473	FHM1101
613474	FHM1028
613476	FHM589
613477	FHM1025
613483	FHM1008
613487	FHM1169
613491	FHM1164
613510	FHM631
613511	FHM1243
613512	FHM1093
613514	FHM1164
613517	FHM1008
613518	FHM639
613519	FHM1012
613521	FHM1177
613523	FHM524
613526	FHM582
613542	FHM1192
613543	FHM1259
613546	FHM576
613559	FHM1164
613580	FHM522
613600	FHM578

...BENDIX

FERODO

613607	FHM554
613611	FHM1259
613612	FHM1006
613614	FHM576
613616	FHM596
613624	FHM1007
613625	FHM585
613626	FHM503
613629	FHM1242
613630	FHM1030
613635	FHM1030
613646	FHM586
613647	FHM1230
613664	FHM526
613665	FHM640
613678	FHM1121
613683	FHM525
613684	FHM636
613690	FHM602
613703	FHM649
613704	FHM1046
613705	FHM1047
613708	FHM1259
613709	FHM1006
613719	FHM1117
613740	FHM525
613768	FHM561
613781	FHM625
613811	FHM525
613822	FHM525
613823	FHM586
613834	FHM592
613849	FHM1125
613854	FHM646
613858	FHM1002
613886	FHM620
613892	FHM647
613906	FHM692
613912	FHM634
613920	FHM626
613955	FHM637
613967	FHM635
613968	FHM1014
613998	FHM622
613999	FHM623
614018	FHM820
614019	FHM1109
621013	FHW4049
621015	FHW4061
621102	FHW138
621103	FHW139
621231	FHW158
621311	FHW4037
621322	FHW4142
621340	FHW4216
621432	FHW4044
621447	FHW162
621450	FHW171

...BENDIX

FERODO

621451	FHW4265
621466	FHW150
621520	FHW148
621583	FHW129
621584	FHW130
621590	FHW4140
621591	FHW4140
621596	FHW133
621597	FHW134
621602	FHW4339
621604	FHW4340
621607	FHW158
621608	FHW099
621626	FHW107
621627	FHW4266
621628	FHW4333
621629	FHW4245
621630	FHW095
621632	FHW4344
621635	FHW147
621636	FHW146
621639	FHW025
621666	FHW4216
621685	FHW128
621691	FHW011
621694	FHW4051
621695	FHW124
621698	FHW4207
621700	FHW099
621739	FHW128
621740	FHW4340
621742	FHW317
621743	FHW4097
621744	FHW319
621746	FHW337
621747	FHW4272
621748	FHW027
621749	FHW093
621750	FHW4228
621751	FHW124
621752	FHW053
621753	FHW158
621754	FHW4339
621756	FHW131
621757	FHW131
621758	FHW145
621762	FHW098
621765	FHW120
621767	FHW121
621768	FHW122
621771	FHW123
621772	FHW113
621773	FHW116
621774	FHW117
621778	FHW147
621779	FHW146
621783	FHW4207
621784	FHW4344

...BENDIX

FERODO

621789	FHW153
621792	FHW4044
621793	FHW150
621795	FHW095
621796	FHW107
621797	FHW170
621808	FHW133
621809	FHW134
621810	FHW015
621811	FHW016
621815	FHW034
621816	FHW318
621820	FHW4204
621828	FHW168
621829	FHW169
621831	FHW019
621832	FHW104
621839	FHW201
621842	FHW013
621844	FHW052
621848	FHW054
621850	FHW185
621867	FHW134
621868	FHW133
621877	FHW202
621897	FHW178
621898	FHW179
621899	FHW188
621900	FHW187
621903	FHW015
621904	FHW016
621905	FHW183
621906	FHW184
621907	FHW427
621908	FHW431
621927	FHW101
621960	FHW008
621961	FHW210
621962	FHW301
621964	FHW042
621966	FHW023
621980	FHW192
621983	FHW191
621986	FHW131
621988	FHW145
621990	FHW106
622103	FHW4098
622104	FHW4003
622119	FHW331
622121	FHW329
622122	FHW330
622124	FHW005
622125	FHW055
622126	FHW051
622127	FHW4061
622132	FHW215
622135	FHW133
622136	FHW134

COMPETITOR INTERCHANGE

...BENDIX

FERODO

622161	FHW094
622163	FHW236
622174	FHW214
624109	FHW4208
624110	FHW4208
625027	FHW056
625028	FHW057
625031	FHW039
625032	FHW040
625035	FHW043
625036	FHW044
625047	FHW036
625048	FHW037
625055	FHW064
625056	FHW065
625061	FHW346
625062	FHW347
625063	FHW068
625064	FHW069
625065	FHW4210
625066	FHW4197
625077	FHW4029
625078	FHW4043
625085	FHW072
625086	FHW073
625101	FHW346
625102	FHW347
625105	FHW196
625106	FHW197
625113	FHW045
625114	FHW046
625119	FHW198
625120	FHW199
625121	FHW103
625122	FHW102
625123	FHW086
625124	FHW087
625125	FHW090
625126	FHW088
625135	FHW047
625136	FHW048
625137	FHW082
625138	FHW083
625141	FHW103
625142	FHW102
625143	FHW086
625144	FHW087
625145	FHW090
625146	FHW088
625155	FHW084
625156	FHW085
626504	FHW217
626505	FHW223
626506	FHW218
651045	FHC6013
651115	FHC6068
651503	FHC6018
651509	FHC6025

...BENDIX

FERODO

651510	FHC6023
651518	FHC6023
762120	FHW4027
790164	FHW155
790204	FHM1187
790215	FHW152
790417	FHW4157
790513	FHM1290
790608	FHM1124
790610	FHW156
790616	FHW325
790663	FHM1089
790665	FHW4016
790833	FHW038
790838	FHM1009
790853	FHW4010
790890	FHC5112
791113	FHW007
791159	FHW409
791328	FHM656
791440	FHM1029
791452	FHM1172
791702	FHW309
791944	FHM1031
792040	FHM1000
792088	FHM536
792186	FHC5041
792895	FHM1000
792987	FHM1187
792999	FHM1029
793010	FHM536
793034	FHM1009
793039	FHM534
793053	FHM1124
793148	FHM1290
793234	FHM656
793266	FHM1001
793290	FHM1034
793298	FHM1034
793304	FHM1138
793305	FHM1032
793309	FHM1031
793437	FHW023
793438	FHW008
793439	FHW042
793962	FHM1077
794008	FHM659
794937	FHM662
795040	FHM655
795621	FHM658
795635	FHM671
961344	FHM501
1406915	FHC6003
1407390	FHC6024
1407508	FHW4012
1407648	FHW4089
1408928	FHC5054
1409149	FHC5054

...BENDIX

FERODO

1409584	FHM1292
1409690	FHM1020
1409731	FHM1052
1420175	FHM1060
1420186	FHC5054
1420323	FHM596
1420456	FHM1011
1420552	FHM1010
1420735	FHC5046
1420737	FHC5049
1420745	FHC5040
1420994	FHM1136
1421381	FHC5020
1421424	FHC5021
1421519	FHM1016
1421563	FHM1091
1421565	FHM1091
1421849	FHM1035
1421951	FHM1039
1421952	FHM1048
1422155	FHM1288
1422332	FHC5009
1422435	FHM668
1422500	FHM638
1422524	FHM1057
1422570	FHC6001
1422607	FHM1085
1422727	FHC5031
1422755	FHC6020
1422867	FHM1041
1423098	FHC5007
1423157	FHC5023
1423195	FHC6021
1423431	FHC6026
1423451	FHC5021
1423531	FHC5004
1423559	FHM1035
1423650	FHC6005
1423883	FHC5018
1423884	FHC5027
1423993	FHM1072
1424116	FHM1060
1424144	FHC5059
1424694	FHC6019
1424897	FHC5014
1424900	FHM670
1425394	FHM672
1425666	FHC5016
1425739	FHC5001
1426559	FHC6003
1426561	FHC6001
1426563	FHC6000
1426580	FHC6000
2613005	FHM576
2613007	FHM1257
2613008	FHM1259
3613011	FHM537
3613012	FHM1262

...BENDIX

FERODO

3613014	FHM541
3613018	FHM543
3613022	FHM555
3613026	FHM556
3613027	FHM557
3613029	FHM1261
3613030	FHM558
3613031	FHM560
3613042	FHM567
3613043	FHM569
3613044	FHM568
3613045	FHM571
3613046	FHM1119
3613047	FHM1004
3613048	FHM1076
3613049	FHM1265
4241575	FHW4194
5138153	FHM1034
5138201	FHM1169
5138225	FHM1164
5138277	FHM1258
5144027	FHW161
5144107	FHW159
5144169	FHW207
5144200	FHW010
5144201	FHW004
5144287	FHW4182
5612001	FHC5073
5613033	FHM530
5621001	FHW4016
5621002	FHW159
5621003	FHW160
5621004	FHW4171
5621005	FHW161
5621006	FHW004
5621007	FHW010
5621008	FHW216
5621009	FHW4063
5621010	FHW4062
5621011	FHW4013
5621012	FHW4022
5621013	FHW4049
5621014	FHW4104
5621015	FHW4061
5621020	FHW4194
5621021	FHW4257
5621023	FHW4345
5621024	FHW4346
5621025	FHW4078
5621026	FHW4347
5621027	FHW051
5621028	FHW4254
5621046	FHW149
5621100	FHW4303
5621126	FHW4151
5621127	FHW4126
5621139	FHW4226
5621140	FHW4269

COMPETITOR INTERCHANGE

...BENDIX

FERODO

5621141	FHW4271
5621151	FHW4350
5621156	FHW4209
6216005	FHW4064
6951036	FHC6010
7611100	FHM1003
7611101	FHM1022
7611102	FHM1026
7611103	FHM1018
7611105	FHM1017
7611108	FHM1018
7611114	FHC5065
7611116	FHC5044
7612100	FHC5112
7612101	FHC5111
7612102	FHC5044
7612103	FHC5051
7612108	FHC5034
7612109	FHC5036
7613100	FHM1034
7613101	FHM1054
7613102	FHM1136
7613103	FHM1031
7613104	FHM1290
7613105	FHM1187
7613108	FHM1138
7613109	FHM1179
7613110	FHM1289
7613111	FHM1289
7613112	FHM1089
7613113	FHM1136
7613114	FHM1186
7613116	FHM1186
7613118	FHM1291
7613122	FHM1034
7613126	FHM1032
7613142	FHM1029
7613143	FHM534
7613145	FHM1009
7613147	FHM1124
7613150	FHM656
7613151	FHM536
7621022	FHW207
7621023	FHW077
7621100	FHW4059
7621101	FHW152
7621102	FHW4000
7621103	FHW4001
7621104	FHW4009
7621105	FHW4014
7621106	FHW4016
7621107	FHW4010
7621108	FHW4133
7621109	FHW4064
7621110	FHW4058
7621111	FHW409
7621113	FHW4120
7621116	FHW4120

...BENDIX

FERODO

7621117	FHW155
7621118	FHW325
7621119	FHW4157
7621120	FHW4027
7621121	FHW4169
7621123	FHW4015
7621125	FHW4017
7621131	FHW038
7621132	FHW156
7621133	FHW007
7621134	FHW309
7651100	FHC6050
7651101	FHC6004
7651102	FHC6111
7651103	FHC6012
7651106	FHC6036
7912104	FHM1023
9612007	FHC5068
9612009	FHC5005
9612010	FHC5076
9612012	FHC5017
9612014	FHC5003
9612041	FHC5000
9612042	FHC5060
9612043	FHC5019
9613019	FHM1264
9613020	FHM607
9613022	FHM1259
9613038	FHM612
9613043	FHM1263
9613044	FHM501
9613045	FHM508
9613076	FHM1015
9613077	FHM515
9613083	FHM504
9613085	FHM1260
9613089	FHM590
9613099	FHM1257
9613100	FHM1257
9613153	FHM509
9613154	FHM507
9613202	FHM608
9613204	FHM500
9613205	FHM627
9613206	FHM581
9613210	FHM627
9613221	FHM1107
9613224	FHM606
9613225	FHM1040
9621013	FHW030
9621019	FHW058
9621024	FHW140
9621038	FHW4031
9621039	FHW4039
9621048	FHW003
9621049	FHW021
9621050	FHW041
9621052	FHW228

...BENDIX

FERODO

9621053	FHW4305
9621060	FHW4047
9621085	FHW4057
9621086	FHW4069
9621087	FHW017
9621088	FHW018
9621089	FHW149
9621091	FHW4139
9621095	FHW035
9621096	FHW105
9621101	FHW200
9621102	FHW138
9621103	FHW139
9621104	FHW063
9621105	FHW062
9621115	FHW4041
9621117	FHW059
9621121	FHW4150
9621127	FHW135
9621128	FHW335
9621129	FHW336
9621130	FHW100
9621135	FHW026
9621140	FHW328
9621141	FHW327
9625003	FHW089
9625004	FHW074
9625005	FHW075
9625006	FHW076
9625007	FHW091
9625008	FHW092
9651006	FHC6016
9651007	FHC6007
9651009	FHC6014
9651010	FHC6017
9651011	FHC6008
9651035	FHC6006
9651040	FHC6013
9651045	FHC6013
61201001	FHC5026
61301017	FHM1260
61301019	FHM504
62101003	FHW4139
62101005	FHW005
62101006	FHW055
62101007	FHW035
62101008	FHW105
62101009	FHW026
62101010	FHW100
62101011	FHW4183
62101012	FHW002
62101013	FHW4295
62101014	FHW200
62101019	FHW138
62101020	FHW139
62104002	FHW4000
62104004	FHW152
62105133	FHW4022

...BENDIX

FERODO

62105135	FHW4062
62105136	FHW4063
62105138	FHW010
62105140	FHW4049
62105141	FHW004
62106005	FHW4064
6136260217	FHM503
6137210207	FHM1117
6138220206	FHM525
6138230184	FHM586
6138230202	FHM585
6138230206	FHM585
6138230206	FHM586
6138404201	FHM646
6138490183	FHM1125
6138540201	FHM646
6138770206	FHM620
6138920201	FHM647
6139410204	FHM646
6139420204	FHM647
6139990242	FHM623
6140180244	FHM620
111189B	FHM1056
111260B	FHM1189
111281B	FHM1184
111341B	FHM1173
111361B	FHM1092
111411B	FHM1168
111438B	FHM1013
111505B	FHM1021
121082B	FHC5070
121103B	FHC5084
121136B	FHC5006
122000B	FHC5112
122008B	FHC5054
122012B	FHC5031
122013B	FHC5023
122015B	FHC5021
122016B	FHC5004
122019B	FHC5014
122021B	FHC5073
122022B	FHC5026
122023B	FHC5044
122024B	FHC5051
122030B	FHC5068
122031B	FHC5005
122032B	FHC5076
122034B	FHC5017
122035B	FHC5011
122036B	FHC5003
122048B	FHC5008
122052B	FHC5083
122053B	FHC5000
122054B	FHC5060
122055B	FHC5019
122057B	FHC5037
122063B	FHC5113
122071B	FHC5074

COMPETITOR INTERCHANGE

...BENDIX

FERODO

122072B	FHC5012
122073B	FHC5016
122074B	FHC5001
122078B	FHC5022
122079B	FHC5028
122084B	FHC5017
122090B	FHC5079
122091B	FHC5067
122092B	FHC5043
122093B	FHC5087
122095B	FHC5053
122100B	FHC5050
122103B	FHC5066
122105B	FHC5096
122107B	FHC5057
122108B	FHC5063
122109B	FHC5052
122210B	FHC5071
124023B	FHC5099
124028B	FHC5086
124080B	FHC5085
124086B	FHC5101
124099B	FHC5069
124104B	FHC5086
124247B	FHC5106
124250B	FHC5107
124266B	FHC5055
131383B	FHM527
131386B	FHM1182
131424B	FHM519
131439B	FHM1012
131462B	FHM1024
131463B	FHM528
131473B	FHM1087
131473B	FHM1101
131474B	FHM1028
131476B	FHM589
131477B	FHM1025
131487B	FHM1169
131491B	FHM1164
131510B	FHM631
131511B	FHM1243
131512B	FHM1093
131517B	FHM1008
131518B	FHM639
131519B	FHM1012
131521B	FHM1177
131523B	FHM524
131526B	FHM582
131542B	FHM1192
131580B	FHM522
131607B	FHM554
131626B	FHM503
131629B	FHM1242
131630B	FHM1030
131647B	FHM1230
131664B	FHM526
131665B	FHM640

...BENDIX

FERODO

131678B	FHM1121
131684B	FHM636
131690B	FHM602
131703B	FHM649
131704B	FHM1046
131705B	FHM1047
131708B	FHM1259
131709B	FHM1006
131719B	FHM1117
131768B	FHM561
131781B	FHM625
131822B	FHM525
131823B	FHM585
131823B	FHM586
131834B	FHM592
131849B	FHM1125
131854B	FHM646
131858B	FHM1002
131878B	FHM1157
131892B	FHM647
131906B	FHM692
131912B	FHM634
131915B	FHM817
131920B	FHM626
131955B	FHM637
131967B	FHM635
131968B	FHM1014
131968B	FHM570
131983B	FHM692
131987B	FHM1197
131997B	FHM663
131998B	FHM622
131999B	FHM623
132007B	FHM1013
132011B	FHM1186
132015B	FHM1290
132016B	FHM1023
132024B	FHC5042
132026B	FHM530
132036B	FHM1258
132038B	FHM1133
132040B	FHM1290
132057B	FHM1292
132063B	FHM596
132071B	FHM1091
132077B	FHM638
132078B	FHM1085
132079B	FHM1036
132082B	FHM1072
132086B	FHM1060
132087B	FHM679
132091B	FHM670
132091B	FHM671
132092B	FHM1277
132093B	FHM672
132093B	FHM673
132094B	FHM669
132095B	FHM1171

...BENDIX

FERODO

132098B	FHM537
132099B	FHM1262
132101B	FHM541
132102B	FHM543
132105B	FHM555
132109B	FHM556
132110B	FHM557
132111B	FHM558
132112B	FHM560
132120B	FHM567
132121B	FHM569
132122B	FHM1261
132122B	FHM568
132123B	FHM571
132124B	FHM1119
132125B	FHM1004
132126B	FHM1076
132127B	FHM1265
132128B	FHM1170
132130B	FHM1233
132132B	FHM1126
132135B	FHM1081
132143B	FHM1052
132167B	FHM1003
132168B	FHM1022
132169B	FHM1026
132170B	FHM1018
132172B	FHM1017
132173B	FHM1018
132184B	FHM1136
132187B	FHM1289
132188B	FHM1186
132192B	FHM1291
132216B	FHM1000
132217B	FHM536
132218B	FHM1187
132220B	FHM1029
132222B	FHM536
132223B	FHM1009
132224B	FHM534
132227B	FHM1124
132229B	FHM1089
132232B	FHM1290
132233B	FHM536
132237B	FHM656
132240B	FHM1001
132242B	FHM1034
132246B	FHM1034
132247B	FHM1289
132248B	FHM1179
132249B	FHM1138
132251B	FHM1172
132252B	FHM1031
132253B	FHM1054
132254B	FHM1077
132255B	FHM659
132256B	FHM679
132257B	FHM655

...BENDIX

FERODO

132258B	FHM658
132259B	FHM1132
132259B	FHM662
132261B	FHM596
132268B	FHM682
132273B	FHM612
132277B	FHM501
132278B	FHM1273
132278B	FHM508
132300B	FHM1263
132306B	FHM515
132307B	FHM504
132309B	FHM1260
132311B	FHM590
132315B	FHM1257
132324B	FHM1270
132336B	FHM1114
132338B	FHM1287
132341B	FHM1207
132344B	FHM507
132351B	FHM578
132377B	FHM629
132378B	FHM630
132379B	FHM698
132382B	FHM1007
132382B	FHM608
132383B	FHM500
132385B	FHM606
132386B	FHM1107
132387B	FHM627
132388B	FHM1260
132389B	FHM1015
132394B	FHM686
132397B	FHM1040
132398B	FHM574
132399B	FHM695
132400B	FHM694
132401B	FHM530
132405B	FHM617
132407B	FHM1244
132410B	FHM1200
132416B	FHM620
132417B	FHM1109
132417B	FHM624
132418B	FHM664
132423B	FHM586
132426B	FHM699
132429B	FHM1014
132429B	FHM570
132432B	FHM1005
132433B	FHM1127
132434B	FHM1135
132448B	FHM661
132449B	FHM823
132450B	FHM1283
132450B	FHM827
132455B	FHM1166
132457B	FHM1002

COMPETITOR INTERCHANGE

...BENDIX

FERODO

132462B	FHM690
132473B	FHM1185
132483B	FHM820
132484B	FHM1181
132488B	FHM1251
132493B	FHM1199
132494B	FHM503
132505B	FHM1050
132508B	FHM684
132509B	FHM683
132513B	FHM1027
132514B	FHM821
132515B	FHM826
132516B	FHM1086
132517B	FHM823
132518B	FHM689
132519B	FHM1027
132521B	FHM1274
132522B	FHM1122
132523B	FHM687
132526B	FHM635
132535B	FHM681
132536B	FHM1215
132537B	FHM1216
132538B	FHM1151
132539B	FHM1231
132541B	FHM1269
132543B	FHM685
132545B	FHM1043
132701B	FHM1098
132705B	FHM1138
132712B	FHM1201
132719B	FHM1133
132722B	FHM818
132723B	FHM1220
132728B	FHM1241
132729B	FHM1079
132743B	FHM1167
132746B	FHM1245
132750B	FHM1174
132751B	FHM1228
132754B	FHM616
132757B	FHM1202
132759B	FHM698
132761B	FHM1198
132770B	FHM1007
132772B	FHM1007
132776B	FHM509
132789B	FHM689
132799B	FHM693
132817B	FHM1033
132821B	FHM1066
132823B	FHM657
132827B	FHM1061
132830B	FHM1107
132834B	FHM1061
132847B	FHM581
132852B	FHM682

...BENDIX

FERODO

132853B	FHM607
132858B	FHM1264
132866B	FHM683
132867B	FHM684
132871B	FHM1020
132880B	FHM1016
132885B	FHM671
132886B	FHM675
132887B	FHM673
132889B	FHM677
132891B	FHM689
132892B	FHM688
132895B	FHM1148
132896B	FHM525
132897B	FHM1267
132898B	FHM585
132900B	FHM1057
132901B	FHM1147
132903B	FHM1090
132904B	FHC5109
132912B	FHM1212
132917B	FHM1239
132929B	FHM1246
132950B	FHM1100
132950B	FHM685
132952B	FHM1123
132954B	FHM1217
132955B	FHM1142
132957B	FHM1137
132958B	FHM1130
132961B	FHM1062
132972B	FHM1059
132974B	FHM1279
132975B	FHM1082
132977B	FHM1099
132979B	FHM671
132981B	FHM1214
132982B	FHM1051
132984B	FHM691
132985B	FHM1278
132986B	FHM1276
132987B	FHM1042
132988B	FHM1078
132989B	FHM1073
132991B	FHM1037
132992B	FHM1053
132993B	FHM1068
132996B	FHM1234
132998B	FHM1129
133010B	FHM1162
133016B	FHM663
133019B	FHM815
133021B	FHM1284
133022B	FHM1106
133025B	FHM1019
133026B	FHM1210
133027B	FHM1282
133029B	FHM1143

...BENDIX

FERODO

133032B	FHM1070
133036B	FHM1139
133038B	FHM1113
133039B	FHM1235
154405B	FHM617
211311B	FHW4037
211322B	FHW4142
211447B	FHW162
211450B	FHW171
211451B	FHW4265
211520B	FHW148
211583B	FHW129
211584B	FHW130
211591B	FHW4140
211627B	FHW4266
211628B	FHW4333
211629B	FHW4245
211630B	FHW095
211639B	FHW025
211666B	FHW4216
211685B	FHW128
211690B	FHW106
211691B	FHW011
211694B	FHW4051
211700B	FHW099
211701B	FHW4215
211740B	FHW4340
211742B	FHW317
211743B	FHW4097
211744B	FHW319
211746B	FHW337
211747B	FHW4272
211748B	FHW027
211748B	FHW336
211749B	FHW093
211749B	FHW335
211750B	FHW4228
211751B	FHW124
211752B	FHW053
211753B	FHW158
211754B	FHW4339
211756B	FHW131
211762B	FHW098
211765B	FHW120
211767B	FHW121
211768B	FHW122
211771B	FHW123
211772B	FHW113
211773B	FHW116
211774B	FHW117
211778B	FHW147
211779B	FHW146
211783B	FHW4207
211784B	FHW4344
211789B	FHW153
211792B	FHW4044
211793B	FHW150
211796B	FHW107

...BENDIX

FERODO

211797B	FHW170
211815B	FHW034
211816B	FHW318
211820B	FHW4204
211828B	FHW168
211829B	FHW169
211831B	FHW019
211832B	FHW104
211839B	FHW201
211842B	FHW013
211844B	FHW052
211848B	FHW054
211850B	FHW185
211877B	FHW202
211897B	FHW178
211898B	FHW179
211899B	FHW188
211900B	FHW187
211903B	FHW015
211904B	FHW016
211905B	FHW183
211906B	FHW184
211907B	FHW427
211908B	FHW431
211927B	FHW101
211961B	FHW210
211962B	FHW303
211980B	FHW192
211981B	FHW4023
211983B	FHW191
211986B	FHW131
211988B	FHW145
211990B	FHW106
212000B	FHW4098
212001B	FHW4003
212002B	FHW221
212003B	FHW331
212004B	FHW4355
212005B	FHW329
212006B	FHW330
212007B	FHW135
212007B	FHW338
212008B	FHW005
212009B	FHW055
212010B	FHW051
212011B	FHW4061
212012B	FHW215
212013B	FHW133
212014B	FHW134
212019B	FHW4208
212024B	FHW094
212025B	FHW236
212030B	FHW002
212031B	FHW4248
212032B	FHW4351
212033B	FHW4211
212034B	FHW155
212035B	FHW152

COMPETITOR INTERCHANGE

...BENDIX

FERODO

212036B	FHW4157
212037B	FHW156
212038B	FHW325
212039B	FHW4016
212040B	FHW038
212040B	FHW224
212041B	FHW4010
212042B	FHW007
212043B	FHW409
212044B	FHW023
212045B	FHW008
212046B	FHW042
212047B	FHW309
212055B	FHW4173
212059B	FHW159
212060B	FHW160
212061B	FHW4171
212062B	FHW161
212063B	FHW004
212064B	FHW010
212065B	FHW216
212066B	FHW4063
212067B	FHW4062
212068B	FHW4013
212069B	FHW4022
212070B	FHW4049
212072B	FHW4194
212073B	FHW4257
212074B	FHW4345
212075B	FHW4346
212077B	FHW4347
212078B	FHW4254
212086B	FHW4303
212088B	FHW4296
212089B	FHW4253
212090B	FHW4229
212093B	FHW4302
212094B	FHW4301
212101B	FHW4300
212102B	FHW4060
212103B	FHW4122
212104B	FHW4102
212105B	FHW4094
212109B	FHW4151
212110B	FHW4126
212113B	FHW4299
212114B	FHW4348
212115B	FHW093
212117B	FHW4349
212118B	FHW4244
212119B	FHW4226
212122B	FHW4308
212123B	FHW4307
212129B	FHW4350
212134B	FHW4209
212138B	FHW207
212139B	FHW077
212140B	FHW4059

...BENDIX

FERODO

212141B	FHW4000
212142B	FHW4001
212143B	FHW4009
212144B	FHW4014
212146B	FHW4120
212151B	FHW4015
212153B	FHW4017
212157B	FHW030
212158B	FHW058
212162B	FHW140
212166B	FHW4031
212167B	FHW4031
212167B	FHW4039
212168B	FHW4202
212169B	FHW003
212170B	FHW021
212171B	FHW041
212172B	FHW228
212173B	FHW4305
212175B	FHW4047
212181B	FHW128
212184B	FHW017
212185B	FHW018
212186B	FHW149
212187B	FHW4139
212188B	FHW035
212189B	FHW105
212190B	FHW100
212191B	FHW4183
212192B	FHW200
212193B	FHW138
212194B	FHW139
212200B	FHW4041
212201B	FHW059
212201B	FHW4004
212202B	FHW4150
212207B	FHW135
212207B	FHW338
212208B	FHW335
212209B	FHW336
212210B	FHW100
212211B	FHW219
212212B	FHW220
212213B	FHW213
212214B	FHW212
212215B	FHW026
212216B	FHW405
212217B	FHW105
212218B	FHW4271
212219B	FHW4269
212220B	FHW328
212221B	FHW327
212222B	FHW194
212223B	FHW195
212224B	FHW4011
212225B	FHW203
212228B	FHW193
212229B	FHW4056

...BENDIX

FERODO

212230B	FHW4129
212231B	FHW4206
212232B	FHW4168
212233B	FHW4090
212234B	FHW4306
212235B	FHW4156
212236B	FHW4116
212244B	FHW4021
212247B	FHW214
212254B	FHW4182
212255B	FHW4182
212257B	FHW156
212263B	FHW4133
212264B	FHW4058
212265B	FHW4064
212289B	FHW4012
212290B	FHW4002
212294B	FHW221
212297B	FHW224
212298B	FHW209
212299B	FHW211
212303B	FHW334
212304B	FHW134
212305B	FHW133
212306B	FHW231
212307B	FHW232
212308B	FHW229
212309B	FHW226
212310B	FHW429
212318B	FHW244
212319B	FHW233
212320B	FHW235
212321B	FHW419
212322B	FHW222
212323B	FHW4099
212324B	FHW4033
212326B	FHW339
212327B	FHW342
212328B	FHW323
212329B	FHW403
212330B	FHW225
212331B	FHW4028
212332B	FHW4146
212333B	FHW333
212334B	FHW4045
212335B	FHW4052
212336B	FHW307
212337B	FHW227
212338B	FHW321
212339B	FHW343
212340B	FHW362
212341B	FHW217
212342B	FHW223
212343B	FHW218
212344B	FHW322
212347B	FHW4046
212353B	FHW4352
212354B	FHW4147

...BENDIX

FERODO

212378B	FHW059
212378B	FHW4004
212379B	FHW302
212381B	FHW411
212382B	FHW412
212384B	FHW425
212385B	FHW4278
212386B	FHW041
212386B	FHW421
212387B	FHW4046
212388B	FHW4002
212389B	FHW358
212390B	FHW4018
212391B	FHW357
212392B	FHW354
212393B	FHW304
212394B	FHW305
212395B	FHW402
212396B	FHW401
212397B	FHW308
212397B	FHW4137
212398B	FHW4075
212399B	FHW359
212400B	FHW4161
212414B	FHW420
212415B	FHW404
214042B	FHW429
214066B	FHW4318
214067B	FHW4144
214068B	FHW4164
214071B	FHW4293
214072B	FHW4110
214076B	FHW190
214078B	FHW4239
214079B	FHW312
214081B	FHW4267
214082B	FHW4370
214084B	FHW4218
214085B	FHW4218
214088B	FHW4167
214092B	FHW4322
214097B	FHW4077
214098B	FHW4319
214099B	FHW4068
214103B	FHW313
214104B	FHW4217
214105B	FHW4092
214107B	FHW4024
214107B	FHW4275
214109B	FHW181
214109B	FHW4222
214110B	FHW182
214110B	FHW4294
214115B	FHW4321
214116B	FHW4324
214124B	FHW4148
214125B	FHW4320
214127B	FHW4184

COMPETITOR INTERCHANGE

...BENDIX

FERODO

214128B	FHW4174
214129B	FHW4288
214132B	FHW4092
214137B	FHW4223
214138B	FHW4317
214139B	FHW4320
214143B	FHW4177
214144B	FHW312
214152B	FHW4327
214155B	FHW4191
214173B	FHW4144
214174B	FHW4164
214175B	FHW4170
214176B	FHW4163
214185B	FHW177
214192B	FHW176
214196B	FHW4190
214201B	FHW4077
214202B	FHW4224
214211B	FHW4130
214215B	FHW4326
214216B	FHW4328
214220B	FHW4237
214221B	FHW4372
214248B	FHW4138
214250B	FHW4221
214257B	FHW4366
214258B	FHW4124
214276B	FHW4365
214277B	FHW4131
214278B	FHW4153
214283B	FHW203
214285B	FHW203
214289B	FHW4130
214422B	FHW4203
214423B	FHW4374
214424B	FHW4373
214425B	FHW4200
214426B	FHW4159
214429B	FHW4087
214432B	FHW4092
214433B	FHW4068
214434B	FHW176
214435B	FHW177
214439B	FHW4325
214454B	FHW4287
214455B	FHW4246
214456B	FHW4189
214459B	FHW4149
214466B	FHW4086
214467B	FHW4195
214476B	FHW4219
214477B	FHW4175
214477B	FHW4220
214478B	FHW4121
214479B	FHW4154
214480B	FHW4175
214481B	FHW4192

...BENDIX

FERODO

214485B	FHW4224
214490B	FHW4178
214496B	FHW208
214497B	FHW4028
214499B	FHW4134
214503B	FHW4227
214504B	FHW4109
214510B	FHW4081
214529B	FHW4053
214532B	FHW4334
214533B	FHW4247
214534B	FHW4364
214535B	FHW4363
214538B	FHW4166
214539B	FHW4233
221504B	FHW217
221505B	FHW223
221506B	FHW218
222040B	FHW038
251000B	FHW056
251001B	FHW057
251002B	FHW039
251003B	FHW040
251004B	FHW043
251005B	FHW044
251006B	FHW036
251007B	FHW037
251008B	FHW064
251009B	FHW065
251010B	FHW068
251011B	FHW069
251012B	FHW4210
251013B	FHW4197
251014B	FHW4029
251015B	FHW4043
251016B	FHW072
251017B	FHW073
251018B	FHW346
251019B	FHW347
251020B	FHW196
251021B	FHW197
251022B	FHW045
251023B	FHW046
251024B	FHW198
251025B	FHW199
251026B	FHW047
251027B	FHW048
251028B	FHW082
251029B	FHW083
251030B	FHW103
251031B	FHW102
251032B	FHW086
251033B	FHW087
251034B	FHW090
251035B	FHW088
251036B	FHW084
251037B	FHW085
251038B	FHW089

...BENDIX

FERODO

251039B	FHW074
251040B	FHW075
251041B	FHW076
251042B	FHW091
251043B	FHW092
251046B	FHW062
251047B	FHW063
251048B	FHW4057
251049B	FHW4069
251052B	FHW4277
251053B	FHW4276
251054B	FHW237
251055B	FHW238
251056B	FHW348
251057B	FHW349
251058B	FHW406
251059B	FHW407
261049B	FHM1035
261058B	FHM668
261109B	FHM677
261142B	FHM1080
261146B	FHM658
261154B	FHM662
261442B	FHM1043
261443B	FHM1083
261444B	FHM1055
511115B	FHC6068
511503B	FHC6018
511509B	FHC6025
511518B	FHC6023
512001B	FHC6058
512002B	FHC6003
512003B	FHC6024
512009B	FHC6021
512012B	FHC6019
512013B	FHC6022
512014B	FHC6050
512015B	FHC6004
512016B	FHC6012
512019B	FHC6016
512020B	FHC6007
512021B	FHC6063
512022B	FHC6014
512023B	FHC6017
512024B	FHC6008
512040B	FHC6046
512041B	FHC6046
512042B	FHC6006
512043B	FHC6010
512045B	FHC6011
512048B	FHC6105
512049B	FHC6015
512051B	FHC6013
512063B	FHC6009
512064B	FHC6000
512065B	FHC6003
512066B	FHC6001
512067B	FHC6021

...BENDIX

FERODO

512072B	FHC6002
512073B	FHC6001
512086B	FHC6043
512088B	FHC6088
512089B	FHC6069
512090B	FHC6039
512091B	FHC6038
512092B	FHC6064
512093B	FHC6054
512097B	FHC6033
512101B	FHC6076
514000B	FHC6086
514003B	FHC6067
514011B	FHC6071
514015B	FHC6060
514020B	FHC6080
514031B	FHC6081
514034B	FHC6073
514037B	FHC6083
514045B	FHC6066
514046B	FHC6066
514049B	FHC6055
514054B	FHC6079
514067B	FHC6082
514068B	FHC6061
514079B	FHC6085
514081B	FHC6084
514083B	FHC6075
514211B	FHC6048
514240B	FHC6047
514257B	FHC6070
561280B	FHW212
561398B	FHW244
561436B	FHW233
561443B	FHW235
CMC35802	FHC5085
CMC36000	FHC5069
CMC38800	FHC5101
CMC86500	FHC5086
CMC92101	FHC5086
FWC39126	FHW4099
FWC39127	FHW429
L612132	FHC5024
L612133	FHC5015
L6139680242	FHM570
L621827	FHW4135
L621896	FHW4066
L621918	FHW4095
RWC00404	FHW4318
RWC01100	FHW4293
RWC04200	FHW190
RWC13100	FHW4167
RWC13681	FHW4322
RWC16010	FHW4068
RWC16030	FHW4092
RWC17310	FHW4077
RWC18075	FHW4319
RWC19035	FHW4068

COMPETITOR INTERCHANGE

...BENDIX

FERODO

RWC19095	FHW313
RWC19117	FHW4217
RWC19155	FHW4092
RWC22003	FHW181
RWC22004	FHW182
RWC23681	FHW4321
RWC25000	FHW4324
RWC26090	FHW4148
RWC26611	FHW4184
RWC26612	FHW4174
RWC29105	FHW4316
RWC29106	FHW4223
RWC29115	FHW4317
RWC29175	FHW4320
RWC29265	FHW4148
RWC32010	FHW176
RWC32011	FHW177
RWC33100	FHW4327
RWC37100	FHW4109
RWC38510	FHW4144
RWC38511	FHW4164
RWC39115	FHW4148
RWC39117	FHW177
RWC39125	FHW4177
RWC39285	FHW176
RWC49200	FHW4077
RWC50110	FHW4224
RWC58553	FHW4130
RWC66139	FHW4237
RWC66326	FHW4372
RWC74601	FHW4178
RWC75110	FHW4138
RWC92013	FHW203
SLC01701	FHC6086
SLC03501	FHC6067
SLC12040	FHC6071
SLC14020	FHC6080
SLC20150	FHC6081
SLC25000	FHC6083
SLC30220	FHC6073
SLC32010	FHC6066
SLC35050	FHC6055
SLC36102	FHC6079
SLC47000	FHC6082
SLC63801	FHC6085
SLC71013	FHC6084
SLC84920	FHC6075

BOSCH

FERODO

0204011217	FHW450
0204011241	FHW4331
0204011249	FHW404
0204011463	FHW4107
0204021808	FHM1221
0204024054	FHM1162
0204024070	FHM1144
0204024071	FHM1237
0204024225	FHM1115
0204024229	FHM1223
0204024698	FHM1236
0204116013	FHW4037
0204116035	FHW162
0204116036	FHW171
0204116053	FHW148
0204116060	FHW129
0204116061	FHW130
0204116062	FHW4140
0204116071	FHW4266
0204116072	FHW4333
0204116073	FHW4245
0204116074	FHW095
0204116075	FHW025
0204116076	FHW4216
0204116080	FHW128
0204116083	FHW011
0204116085	FHW4051
0204116087	FHW099
0204116088	FHW178
0204116091	FHW4340
0204116093	FHW124
0204116094	FHW053
0204116095	FHW158
0204116096	FHW4339
0204116098	FHW131
0204116101	FHW147
0204116102	FHW146
0204116103	FHW099
0204116106	FHW153
0204116107	FHW4044
0204116108	FHW150
0204116109	FHW107
0204116110	FHW170
0204116112	FHW4135
0204116113	FHW169
0204116114	FHW168
0204116117	FHW099
0204116122	FHW201
0204116126	FHW134
0204116127	FHW133
0204116128	FHW202
0204116130	FHW4066
0204116131	FHW178
0204116132	FHW179
0204116133	FHW188
0204116134	FHW187
0204116135	FHW015
0204116136	FHW016

...BOSCH

FERODO

0204116137	FHW183
0204116138	FHW184
0204116139	FHW427
0204116140	FHW431
0204116141	FHW4095
0204116144	FHW101
0204116149	FHW301
0204116157	FHW210
0204116163	FHW131
0204116164	FHW145
0204116169	FHW4003
0204116172	FHW223
0204116174	FHW221
0204116175	FHW215
0204116176	FHW133
0204116177	FHW134
0204116178	FHW094
0204116179	FHW236
0204116181	FHW214
0204116182	FHW229
0204116183	FHW231
0204116184	FHW232
0204116190	FHM638
0204116191	FHW4208
0204116202	FHW056
0204116203	FHW057
0204116204	FHW039
0204116205	FHW040
0204116206	FHW043
0204116207	FHW044
0204116208	FHW064
0204116209	FHW065
0204116210	FHW068
0204116211	FHW069
0204116216	FHW072
0204116217	FHW073
0204116220	FHW196
0204116221	FHW197
0204116222	FHW045
0204116223	FHW046
0204116224	FHW198
0204116225	FHW199
0204116226	FHW086
0204116227	FHW087
0204116228	FHW047
0204116229	FHW048
0204116230	FHW082
0204116231	FHW083
0204116232	FHW103
0204116233	FHW102
0204116234	FHW086
0204116235	FHW087
0204116236	FHW090
0204116237	FHW088
0204116238	FHW084
0204116239	FHW085
0204116244	FHW237
0204116245	FHW238

...BOSCH

FERODO

0204116246	FHW146
0204116249	FHW217
0204116250	FHW223
0204116251	FHW218
0204116301	FHW4265
0204116325	FHW128
0204116328	FHW4344
0204116329	FHW4207
0204116335	FHW034
0204116338	FHW019
0204116339	FHW104
0204116355	FHW185
0204116357	FHW039
0204116358	FHW040
0204116390	FHW133
0204116391	FHW134
0204116394	FHW015
0204116395	FHW016
0204116396	FHW192
0204116397	FHW4023
0204116398	FHW191
0204116401	FHW106
0204116434	FHW226
0204116453	FHW325
0204116454	FHW224
0204116456	FHW023
0204116457	FHW008
0204116458	FHW042
0204116462	FHW4276
0204116464	FHW4277
0204116466	FHW409
0204116470	FHW4161
0204116471	FHW342
0204116479	FHW429
0204116480	FHW322
0204116482	FHW323
0204116483	FHW403
0204116532	FHW343
0204116533	FHW362
0204116535	FHW406
0204116536	FHW407
0204116558	FHW210
0204116564	FHW425
0204116565	FHW038
0204116566	FHW4053
0204116578	FHW4042
0204116579	FHW402
0204116580	FHW401
0204116601	FHW4093
0204116602	FHW4082
0204116604	FHW4158
0204122011	FHM1056
0204122015	FHM1189
0204122026	FHM1173
0204122030	FHM1092
0204122034	FHM1168
0204122039	FHM1013
0204122045	FHM1021

COMPETITOR INTERCHANGE

...BOSCH

FERODO

0204122092	FHM530
0204122140	FHM1043
0204122147	FHM1292
0204122149	FHM1020
0204122150	FHM1016
0204122150	FHM1052
0204122156	FHM596
0204122171	FHM1091
0204122181	FHM1060
0204122182	FHM638
0204122184	FHM1085
0204122185	FHM1036
0204122192	FHM596
0204122194	FHM1072
0204122195	FHM1060
0204122202	FHM1016
0204122202	FHM1052
0204122219	FHM656
0204122220	FHM1000
0204122221	FHM1029
0204122221	FHM536
0204122226	FHM536
0204122236	FHM536
0204122243	FHM1230
0204122243	FHM585
0204122243	FHM586
0204122257	FHM1031
0204122261	FHM1077
0204122262	FHM659
0204122263	FHM662
0204122265	FHM1002
0204122266	FHM658
0204122267	FHM662
0204122268	FHM662
0204122269	FHM673
0204122271	FHM675
0204122298	FHM536
0204123012	FHM527
0204123013	FHM1182
0204123019	FHM519
0204123025	FHM1024
0204123026	FHM528
0204123029	FHM1087
0204123029	FHM1101
0204123031	FHM1028
0204123032	FHM589
0204123033	FHM1025
0204123036	FHM1169
0204123038	FHM631
0204123039	FHM1243
0204123040	FHM1093
0204123042	FHM1164
0204123046	FHM1008
0204123047	FHM639
0204123049	FHM1012
0204123050	FHM1177
0204123051	FHM524
0204123054	FHM582

...BOSCH

FERODO

0204123058	FHM1192
0204123060	FHM522
0204123064	FHM554
0204123065	FHM1007
0204123066	FHM1242
0204123068	FHM1030
0204123075	FHM525
0204123075	FHM526
0204123076	FHM640
0204123077	FHM1121
0204123078	FHM636
0204123080	FHM602
0204123083	FHM649
0204123084	FHM1046
0204123085	FHM1047
0204123087	FHM1117
0204123087	FHM602
0204123096	FHM625
0204123103	FHM525
0204123103	FHM526
0204123105	FHM586
0204123116	FHM1125
0204123123	FHM1002
0204123127	FHM592
0204123129	FHM1157
0204123136	FHM692
0204123138	FHM634
0204123140	FHM817
0204123142	FHM626
0204123146	FHM646
0204123151	FHM637
0204123155	FHM635
0204123156	FHM1014
0204123156	FHM570
0204123158	FHM692
0204123160	FHM1197
0204123166	FHM663
0204123168	FHM622
0204123170	FHM623
0204123172	FHM620
0204123174	FHM1109
0204123174	FHM624
0204123176	FHM820
0204123178	FHM820
0204123180	FHM585
0204123180	FHM586
0204123182	FHM664
0204123184	FHM699
0204123186	FHM1135
0204123188	FHM661
0204123190	FHM823
0204123192	FHM827
0204123194	FHM689
0204123202	FHM1166
0204123205	FHM690
0204123207	FHM821
0204123208	FHM826
0204123249	FHM1230

...BOSCH

FERODO

0204123249	FHM585
0204123249	FHM586
0204123251	FHM586
0204123257	FHM561
0204123286	FHM570
0204123289	FHM525
0204123289	FHM526
0204123293	FHM622
0204123295	FHM623
0204123312	FHM1016
0204123312	FHM1052
0204123313	FHM670
0204123314	FHM1277
0204123315	FHM672
0204123318	FHM669
0204123319	FHM1171
0204123325	FHM675
0204123326	FHM671
0204123327	FHM673
0204123339	FHM687
0204123340	FHM823
0204123341	FHM1086
0204123342	FHM1027
0204123346	FHM1109
0204123346	FHM624
0204123347	FHM672
0204123348	FHM670
0204123349	FHM1274
0204123350	FHM1122
0204123354	FHM1074
0204123366	FHM1127
0204123371	FHM1215
0204123372	FHM1216
0204123373	FHM1148
0204123402	FHM647
0204123408	FHM1151
0204123409	FHM1231
0204123410	FHM1232
0204123415	FHM1131
0204123416	FHM1137
0204123417	FHM1142
0204123418	FHM1217
0204123419	FHM1130
0204123430	FHM655
0204123470	FHM1030
0204123473	FHM1117
0204123477	FHM1125
0204123484	FHM1005
0204123501	FHM1062
0204123502	FHM1099
0204123512	FHM663
0204123518	FHM1166
0204123519	FHM661
0204123528	FHM666
0204123530	FHM667
0204123532	FHM1037
0204123533	FHM1053
0204123534	FHM1065

...BOSCH

FERODO

0204123536	FHM1272
0204123540	FHM1209
0204123548	FHM689
0204123563	FHM1002
0204123587	FHM1070
0204123588	FHM1064
0204123589	FHM1139
0204123594	FHM646
0204123599	FHM690
0204123603	FHM1049
0204123604	FHM1053
0204123605	FHM1037
0204123606	FHM1053
0204123615	FHM1235
0204123616	FHM1113
0204123625	FHM1069
0204123635	FHM1038
0204123649	FHM1112
0204123650	FHM1111
0204125333	FHM1035
0204125345	FHM668
0204125405	FHM677
0204125431	FHM1063
0204125431	FHM1080
0204125452	FHM662
0204125474	FHM658
0204125519	FHM1055
0204125601	FHM1080
0204162013	FHC5070
0204162018	FHC5084
0204162027	FHC5024
0204162028	FHC5015
0204162029	FHC5006
0204162062	FHC5054
0204162076	FHC5031
0204162078	FHC5023
0204162081	FHC5004
0204162088	FHC5113
0204162091	FHC5014
0204162095	FHC5001
0204162119	FHC5013
0204163012	FHC6068
0204163017	FHC6018
0204163020	FHC6025
0204163023	FHC6023
0204163036	FHC6024
0204163066	FHC6021
0204163074	FHC6019
0204163077	FHC6001
0204163078	FHC6003
0204163079	FHC6021
0204163080	FHC6001
0204163081	FHC6000
0204163087	FHC6009
0204163105	FHC6068
0204210007	FHW411
0204210008	FHW412
0204211014	FHW411

COMPETITOR INTERCHANGE

...BOSCH

FERODO

0204211015	FHW412
0986470287	FHW052
0986475001	FHW015
0986475002	FHW016
0986475003	FHW133
0986475005	FHW4060
0986475019	FHW318
0986475020	FHW4139
0986475022	FHW003
0986475023	FHW4005
0986475024	FHW038
0986475024	FHW224
0986475026	FHW019
0986475029	FHW228
0986475031	FHW4305
0986475032	FHW021
0986475033	FHW4041
0986475036	FHW056
0986475037	FHW057
0986475038	FHW058
0986475039	FHW059
0986475039	FHW4004
0986475051	FHW200
0986475053	FHW138
0986475054	FHW139
0986475056	FHW212
0986475057	FHW140
0986475060	FHW4201
0986475061	FHW346
0986475062	FHW347
0986475104	FHW4183
0986475110	FHW4254
0986475113	FHW4312
0986475115	FHW051
0986475119	FHW104
0986475141	FHW039
0986475142	FHW040
0986475143	FHW041
0986475174	FHW148
0986475182	FHW4339
0986475190	FHW095
0986475196	FHW025
0986475209	FHW099
0986475216	FHW4097
0986475228	FHW098
0986475230	FHW120
0986475231	FHW123
0986475232	FHW113
0986475233	FHW116
0986475234	FHW117
0986475260	FHW010
0986475262	FHW4063
0986475263	FHW4062
0986475264	FHW4013
0986475265	FHW4022
0986475266	FHW4049
0986475273	FHW152
0986475280	FHW4064

...BOSCH

FERODO

0986475290	FHW004
0986475374	FHW4344
0986475386	FHW052
0986475393	FHW121
0986475394	FHW122
0986475397	FHW100
0986475420	FHW149
0986475420	FHW4025
0986475424	FHW4228
0986475425	FHW4272
0986475428	FHW054
0986475433	FHW030
0986475433	FHW339
0986475438	FHW005
0986475445	FHW155
0986475446	FHW409
0986475447	FHW038
0986475449	FHW013
0986475450	FHW013
0986475451	FHW319
0986475451	FHW4295
0986475452	FHW4204
0986475453	FHW002
0986475454	FHW4047
0986475455	FHW107
0986475456	FHW128
0986475474	FHW216
0986475475	FHW4031
0986475476	FHW4039
0986475477	FHW150
0986475482	FHW4010
0986475483	FHW146
0986475484	FHW147
0986475497	FHW153
0986475500	FHW026
0986475501	FHW337
0986475502	FHW093
0986475502	FHW335
0986475503	FHW027
0986475503	FHW336
0986475508	FHW055
0986475509	FHW135
0986475509	FHW338
0986475510	FHW036
0986475511	FHW037
0986475512	FHW105
0986475513	FHW035
0986475515	FHW124
0986475528	FHW4321
0986475533	FHW4184
0986475558	FHW4077
0986475560	FHW4224
0986475574	FHW4317
0986475588	FHW4150
0986475591	FHW053
0986475602	FHW313
0986475603	FHW4217
0986475611	FHW034

...BOSCH

FERODO

0986475612	FHW213
0986475614	FHW4202
0986475615	FHW4210
0986475616	FHW4197
0986475617	FHW064
0986475618	FHW065
0986475619	FHW062
0986475620	FHW063
0986475621	FHW044
0986475622	FHW043
0986475623	FHW083
0986475624	FHW082
0986475627	FHW073
0986475628	FHW072
0986475629	FHW048
0986475630	FHW047
0986475631	FHW046
0986475632	FHW045
0986475635	FHW092
0986475636	FHW091
0986475637	FHW4043
0986475638	FHW4029
0986475639	FHW187
0986475640	FHW188
0986475641	FHW076
0986475642	FHW075
0986475643	FHW074
0986475643	FHW4057
0986475644	FHW089
0986475644	FHW4069
0986475647	FHW4003
0986475649	FHW4092
0986475650	FHW4068
0986475651	FHW176
0986475652	FHW177
0986475653	FHW193
0986475657	FHW4176
0986475657	FHW4246
0986475659	FHW4203
0986475660	FHW4081
0986475660	FHW4288
0986475661	FHW4024
0986475662	FHW4021
0986475663	FHW4130
0986475665	FHW4237
0986475666	FHW4372
0986475668	FHW4086
0986475669	FHW4227
0986475670	FHW190
0986475672	FHW174
0986475672	FHW4167
0986475673	FHW208
0986475674	FHW405
0986475675	FHW4138
0986475676	FHW215
0986475677	FHW105
0986475680	FHW4087
0986475687	FHW4131

...BOSCH

FERODO

0986475701	FHW4306
0986475702	FHW4206
0986475703	FHW4156
0986475704	FHW4168
0986475705	FHW4321
0986475706	FHW4322
0986475707	FHW182
0986475707	FHW4294
0986475708	FHW181
0986475708	FHW4222
0986475711	FHW4220
0986475713	FHW4154
0986475713	FHW4175
0986475714	FHW4121
0986475714	FHW4192
0986475719	FHW4164
0986475720	FHW196
0986475721	FHW197
0986475726	FHW4159
0986475727	FHW4200
0986475732	FHW219
0986475733	FHW220
0986475734	FHW4111
0986475735	FHW4106
0986475736	FHW321
0986475737	FHW038
0986475739	FHW135
0986475739	FHW338
0986475740	FHW337
0986475741	FHW027
0986475741	FHW336
0986475742	FHW4056
0986475744	FHW207
0986475747	FHW223
0986475750	FHW195
0986475751	FHW4011
0986475752	FHW194
0986475754	FHW4218
0986475755	FHW4110
0986475758	FHW4259
0986475759	FHW4028
0986475761	FHW4178
0986475764	FHW145
0986475765	FHW211
0986475766	FHW4366
0986475767	FHW4124
0986475768	FHW313
0986475769	FHW307
0986475770	FHW339
0986475773	FHW317
0986475775	FHW318
0986475776	FHW027
0986475776	FHW336
0986475777	FHW319
0986475777	FHW4295
0986475786	FHW331
0986475787	FHW4355
0986475788	FHW017

COMPETITOR INTERCHANGE

...BOSCH

FERODO

0986475789	FHW018
0986475790	FHW4061
0986475791	FHW329
0986475792	FHW330
0986475793	FHW161
0986475795	FHW077
0986475796	FHW334
0986475797	FHW222
0986475798	FHW301
0986475799	FHW160
0986475800	FHW159
0986475801	FHW244
0986475802	FHW233
0986475803	FHW235
0986475807	FHW312
0986475808	FHW327
0986475809	FHW328
0986475812	FHW306
0986475816	FHW209
0986475827	FHW225
0986475833	FHW358
0986475834	FHW348
0986475835	FHW349
0986475836	FHW333
0986475837	FHW4018
0986475839	FHW4242
0986475840	FHW4110
0986475841	FHW208
0986475845	FHW4320
0986475848	FHW4128
0986475849	FHW4145
0986475851	FHW4260
0986475854	FHW4045
0986475855	FHW4052
0986475856	FHW4112
0986475857	FHW4155
0986475862	FHW4179
0986475863	FHW4180
0986475865	FHW4278
0986475869	FHW410
0986475872	FHW4160
0986475873	FHW4292
0986475883	FHW423
0986475884	FHW422
0986475889	FHW4020
0986475890	FHW4172
0986475901	FHW4030
0986475902	FHW4166
0986475903	FHW4233
0986475904	FHW4019
0986480002	FHM1025
0986480005	FHM585
0986480005	FHM586
0986480010	FHM1270
0986480020	FHM508
0986480021	FHM541
0986480023	FHM1061
0986480025	FHM1263

...BOSCH

FERODO

0986480039	FHM1107
0986480044	FHM1025
0986480045	FHM522
0986480046	FHM1016
0986480046	FHM1052
0986480048	FHM1124
0986480049	FHM1009
0986480049	FHM1124
0986480049	FHM534
0986480050	FHM1029
0986480050	FHM1133
0986480050	FHM536
0986480052	FHM1029
0986480052	FHM536
0986480057	FHM1117
0986480058	FHM602
0986480061	FHM507
0986480062	FHM617
0986480068	FHM528
0986480071	FHM818
0986480072	FHM1220
0986480075	FHM1015
0986480080	FHM1264
0986480081	FHM1002
0986480084	FHM1264
0986480093	FHM560
0986480095	FHM558
0986480100	FHM581
0986480113	FHM557
0986480114	FHM571
0986480115	FHM1119
0986480116	FHM1076
0986480118	FHM567
0986480121	FHM1000
0986480125	FHM574
0986480126	FHM694
0986480127	FHM646
0986480128	FHM1265
0986480129	FHM1170
0986480130	FHM1004
0986480131	FHM1233
0986480132	FHM1126
0986480135	FHM1197
0986480136	FHM625
0986480137	FHM626
0986480139	FHM561
0986480140	FHM1002
0986480141	FHM590
0986480142	FHM1014
0986480142	FHM570
0986480227	FHM1012
0986480257	FHM1054
0986480263	FHM1032
0986480263	FHM1138
0986480263	FHM1179
0986480263	FHM1289
0986480325	FHM578
0986480333	FHM1030

...BOSCH

FERODO

0986480336	FHM1164
0986480351	FHM503
0986480352	FHM1007
0986480379	FHM1172
0986480379	FHM1187
0986480401	FHM519
0986480402	FHM527
0986480414	FHM1044
0986480415	FHM1015
0986480418	FHM515
0986480422	FHM504
0986480426	FHM1260
0986480427	FHM1260
0986480428	FHM1006
0986480428	FHM576
0986480429	FHM1006
0986480430	FHM1006
0986480433	FHM1259
0986480440	FHM612
0986480442	FHM1257
0986480449	FHM1087
0986480449	FHM1101
0986480453	FHM500
0986480454	FHM501
0986480465	FHM530
0986480468	FHM596
0986480472	FHM1192
0986480474	FHM582
0986480483	FHM555
0986480485	FHM537
0986480493	FHM541
0986480495	FHM543
0986480496	FHM556
0986480565	FHM578
0986480566	FHM509
0986480570	FHM1230
0986480571	FHM585
0986480571	FHM586
0986480572	FHM570
0986480573	FHM570
0986480598	FHM1107
0986480599	FHM686
0986480600	FHM681
0986480603	FHM1061
0986480607	FHM655
0986480609	FHM1071
0986480615	FHM569
0986480617	FHM1167
0986480621	FHM1185
0986480623	FHM1241
0986480636	FHM616
0986480638	FHM1244
0986480642	FHM1198
0986480653	FHM1059
0986480656	FHM657
0986480661	FHM693
0986480663	FHM1267
0986480677	FHM695

...BOSCH

FERODO

0986480678	FHM1078
0986480679	FHM1042
0986480684	FHM1269
0986480687	FHM1068
0986480697	FHM1276
0986480698	FHM1278
0986480699	FHM1019
0986480702	FHM1153
0986480705	FHM656
0986480718	FHM509
0986480722	FHM1234
0986480725	FHM1180
0986480726	FHM1150
0986480751	FHM1114
0986480752	FHM606
0986480773	FHM1028
0986480774	FHM1280
0986480815	FHM608
0986480818	FHM1081
0986480823	FHM570
0986480826	FHM1200
0986480832	FHM683
0986480834	FHM1201
0986480836	FHM607
0986480838	FHM682
0986480839	FHM684
0986480847	FHM689
0986480890	FHM685
0986480892	FHM1287
0986480895	FHM509
0986480897	FHM525
0986480897	FHM526
0986480898	FHM622
0986480902	FHM629
0986480904	FHM623
0986480905	FHM585
0986480905	FHM586
0986480906	FHM627
0986480907	FHM1040
0986480908	FHM1165
0986480910	FHM607
0986480911	FHM684
0986480912	FHM1207
0986480913	FHM630
0986480915	FHM698
0986480916	FHM698
0986480919	FHM1082
0986480925	FHM1129
0986480926	FHM1104
0986480933	FHM1214
0986480955	FHM1279
0986480976	FHM1143
0986486001	FHC5021
0986486002	FHC5017
0986486003	FHC5054
0986486004	FHC5031
0986486005	FHC5073
0986486006	FHC5008

COMPETITOR INTERCHANGE

...BOSCH

FERODO

0986486012	FHC5068
0986486015	FHC5000
0986486016	FHC5019
0986486017	FHC5022
0986486023	FHC5026
0986486024	FHC5005
0986486028	FHC5019
0986486031	FHC5050
0986486034	FHC5060
0986486036	FHC5096
0986486038	FHC5028
0986486041	FHC5025
0986486042	FHC5011
0986486047	FHC5058
0986486049	FHC5071
0986486053	FHC5066
0986486055	FHC5052
0986486500	FHC6007
0986486502	FHC6017
0986486503	FHC6008
0986486504	FHC6058
0986486505	FHC6003
0986486506	FHC6024
0986486507	FHC6014
0986486508	FHC6032
0986486521	FHC6106
0986486528	FHC6046
0986486529	FHC6016
0986486532	FHC6006
0986486533	FHC6010
0986486534	FHC6011
0986486535	FHC6013
0986486537	FHC6002
0986486539	FHC6063
0986486548	FHC6076
0986487420	FHW051
011249E	FHW404
024225Z	FHM1115
024229Z	FHM1223
116176E	FHW134
116558E	FHW210
116565E	FHW038
116566E	FHW4053
123512Z	FHM663
163087N	FHC6009
480912Z	FHM1207
480919Z	FHM1082
486504N	FHC6058
F009D00856	FHC5094

BREMBO

FERODO

A12001	FHW4037
A12002	FHW161
A12003	FHW4216
A12004	FHW025
A12005	FHW095
A12006	FHW146
A12007	FHW147
A12008	FHW4051
A12009	FHW4142
A12010	FHW4022
A12011	FHW4097
A12014	FHW159
A12015	FHW160
A12016	FHW4044
A12018	FHW152
A12022	FHW171
A12023	FHW4266
A12024	FHW4333
A12025	FHW317
A12026	FHW011
A12027	FHW150
A12028	FHW4245
A12029	FHW107
A12030	FHW113
A12031	FHW4049
A12033	FHW4013
A12034	FHW207
A12035	FHW4254
A12036	FHW4009
A12037	FHW4014
A12040	FHW4016
A12041	FHW148
A12042	FHW162
A12043	FHW010
A12044	FHW004
A12045	FHW4228
A12046	FHW4272
A12047	FHW318
A12048	FHW051
A12049	FHW4140
A12050	FHW4204
A12051	FHW319
A12055	FHW4340
A12056	FHW158
A12057	FHW120
A12058	FHW099
A12059	FHW098
A12060	FHW116
A12061	FHW117
A12064	FHW4344
A12065	FHW4207
A12066	FHW124
A12068	FHW121
A12069	FHW122
A12070	FHW134
A12071	FHW133
A12072	FHW026
A12073	FHW093

...BREMBO

FERODO

A12074	FHW4178
A12075	FHW123
A12076	FHW052
A12077	FHW409
A12078	FHW4157
A12079	FHW4077
A12080	FHW053
A12081	FHW129
A12082	FHW130
A12083	FHW005
A12084	FHW038
A12085	FHW156
A12086	FHW149
A12087	FHW203
A12089	FHW4130
A12092	FHW002
A12093	FHW4295
A12094	FHW013
A12095	FHW170
A12096	FHW128
A12097	FHW100
A12098	FHW155
A12099	FHW027
A12100	FHW4061
A12101	FHW131
A12102	FHW145
A12103	FHW105
A12104	FHW325
A12105	FHW034
A12106	FHW338
A12107	FHW077
A12108	FHW4224
A12109	FHW054
A12110	FHW015
A12111	FHW016
A12112	FHW017
A12113	FHW018
A12114	FHW055
A12115	FHW168
A12116	FHW169
A12117	FHW337
A12118	FHW153
A12120	FHW4174
A12121	FHW190
A12122	FHW4167
A12123	FHW176
A12124	FHW313
A12125	FHW4002
A12126	FHW007
A12127	FHW309
A12128	FHW019
A12129	FHW181
A12130	FHW182
A12131	FHW193
A12132	FHW4355
A12133	FHW331
A12134	FHW035
A12135	FHW039

...BREMBO

FERODO

A12136	FHW040
A12137	FHW036
A12138	FHW037
A12139	FHW056
A12140	FHW057
A12142	FHW200
A12143	FHW4050
A12144	FHW177
A12145	FHW216
A12146	FHW058
A12147	FHW104
A12148	FHW185
A12149	FHW4222
A12150	FHW4294
A12151	FHW4269
A12152	FHW4271
A12153	FHW330
A12154	FHW329
A12155	FHW021
A12156	FHW4150
A12157	FHW041
A12158	FHW4139
A12159	FHW228
A12160	FHW201
A12163	FHW140
A12164	FHW213
A12165	FHW4206
A12166	FHW4306
A12167	FHW4090
A12168	FHW4116
A12169	FHW4168
A12170	FHW4156
A12172	FHW003
A12173	FHW421
A12174	FHW4215
A12175	FHW188
A12176	FHW187
A12177	FHW427
A12178	FHW431
A12179	FHW030
A12180	FHW183
A12181	FHW184
A12184	FHW4218
A12185	FHW045
A12186	FHW046
A12187	FHW202
A12188	FHW043
A12189	FHW044
A12190	FHW138
A12191	FHW139
A12192	FHW068
A12193	FHW069
A12194	FHW178
A12195	FHW179
A12196	FHW212
A12198	FHW101
A12199	FHW4288
A12200	FHW4024

COMPETITOR INTERCHANGE

...BREMBO

FERODO

A12201	FHW064
A12202	FHW065
A12203	FHW346
A12204	FHW347
A12205	FHW090
A12206	FHW088
A12207	FHW4210
A12208	FHW4197
A12209	FHW4182
A12210	FHW008
A12211	FHW023
A12212	FHW042
A12213	FHW4057
A12214	FHW4069
A12215	FHW4029
A12216	FHW4043
A12217	FHW059
A12218	FHW306
A12219	FHW219
A12220	FHW220
A12221	FHW192
A12222	FHW191
A12223	FHW106
A12224	FHW4143
A12225	FHW4132
A12226	FHW4219
A12227	FHW4220
A12228	FHW327
A12229	FHW328
A12230	FHW072
A12231	FHW073
A12232	FHW062
A12233	FHW063
A12234	FHW4087
A12235	FHW4209
A12236	FHW135
A12237	FHW336
A12238	FHW335
A12239	FHW4242
A12240	FHW4260
A12241	FHW4110
A12242	FHW196
A12243	FHW197
A12244	FHW4004
A12245	FHW4098
A12246	FHW4003
A12247	FHW217
A12248	FHW223
A12249	FHW218
A12250	FHW198
A12251	FHW199
A12252	FHW208
A12253	FHW312
A12254	FHW086
A12255	FHW087
A12256	FHW215
A12257	FHW047
A12258	FHW048

...BREMBO

FERODO

A12259	FHW082
A12260	FHW083
A12261	FHW089
A12262	FHW074
A12263	FHW075
A12264	FHW076
A12265	FHW103
A12266	FHW102
A12267	FHW221
A12268	FHW405
A12269	FHW091
A12270	FHW092
A12271	FHW4111
A12272	FHW4106
A12273	FHW094
A12274	FHW210
A12275	FHW209
A12276	FHW224
A12277	FHW302
A12278	FHW301
A12279	FHW303
A12280	FHW195
A12281	FHW4011
A12282	FHW194
A12283	FHW4146
A12284	FHW4258
A12285	FHW236
A12286	FHW084
A12287	FHW085
A12288	FHW211
A12289	FHW339
A12290	FHW307
A12291	FHW321
A12292	FHW227
A12293	FHW214
A12294	FHW244
A12295	FHW233
A12296	FHW235
A12297	FHW4023
A12298	FHW4080
A12299	FHW4084
A12300	FHW4076
A12301	FHW334
A12302	FHW4247
A12303	FHW4334
A12304	FHW4137
A12305	FHW226
A12306	FHW225
A12307	FHW4192
A12308	FHW4175
A12309	FHW4045
A12310	FHW4052
A12311	FHW410
A12312	FHW222
A12313	FHW237
A12314	FHW238
A12315	FHW231
A12316	FHW232

...BREMBO

FERODO

A12317	FHW229
A12318	FHW308
A12319	FHW4161
A12320	FHW4038
A12321	FHW419
A12322	FHW333
A12323	FHW348
A12324	FHW349
A12325	FHW357
A12326	FHW342
A12327	FHW343
A12328	FHW362
A12329	FHW403
A12330	FHW423
A12331	FHW422
A12334	FHW4184
A12335	FHW354
A12336	FHW411
A12337	FHW412
A12338	FHW406
A12339	FHW407
A12340	FHW358
A12341	FHW323
A12342	FHW322
A12343	FHW359
A12344	FHW404
A12345	FHW4018
A12346	FHW304
A12347	FHW305
A12348	FHW402
A12349	FHW401
A12350	FHW425
A12351	FHW4096
A12352	FHW4114
A12353	FHW450
A12354	FHW4166
A12355	FHW4233
A12356	FHW418
A12357	FHW415
A12358	FHW417
A12359	FHW416
A12360	FHW4082
A12361	FHW4093
A12362	FHW4280
A12363	FHW4074
A12364	FHW4342
A12365	FHW4117
A12366	FHW420
A12367	FHW4305
A12368	FHW4263
A12369	FHW4264
A12370	FHW4046
A12371	FHW4019
A12372	FHW4020
A12383	FHW4256
A12389	FHW4056
A12399	FHW4030
A12401	FHW4179
A12402	FHW4180

DELPHI

FERODO

34577	FHW4311
35000	FHW4307
35001	FHW4308
110469	FHC6022
520424	FHM519
521062	FHM1189
521114	FHM1168
521143	FHM1173
521163	FHM1092
521182	FHM1184
521834	FHM1013
521981	FHM1056
522280	FHC5070
522301	FHC5084
524196	FHW011
524234	FHW4044
524496	FHW4051
524664	FHW150
524666	FHW4216
524695	FHW134
524726	FHW4266
524795	FHW133
524826	FHW4333
524926	FHW4245
524936	FHW025
1416301	FHW4000
1416302	FHW4001
1416303	FHW4009
1416304	FHW4014
1416305	FHW4059
1416306	FHW152
1416309	FHW4016
1416312	FHM1016
1416401	FHM1003
1416402	FHM1018
1416411	FHM1023
1416411	FHM1034
1416412	FHM1089
4212120	FHM1182
4224038	FHM1073
4224070	FHM1073
4224758	FHM1147
4224918	FHM1090
4241062	FHW4229
4241075	FHW4171
4241078	FHW4046
4241085	FHW4226
4241088	FHW4344
4241091	FHW4061
4241095	FHW4002
4241096	FHW4207
4241119	FHW4329
4241141	FHW4094
4241179	FHW4299
4241184	FHW4002
4241192	FHW4310
4241193	FHW4225
4241287	FHW4300

COMPETITOR INTERCHANGE

...DELPHI		FERODO		...DELPHI		FERODO		...DELPHI		FERODO	
4241394	FHW4122	LL41201	FHC6007	LL70310	FHC6001	LM21067	FHM691				
4241396	FHW161	LL41210	FHC6008	LL70311	FHC6111	LM21084	FHM817				
4241536	FHW4060	LL41310	FHC6013	LL80008	FHC6069	LM21085	FHM699				
4241549	FHW4313	LL42045	FHC6006	LL80011	FHC6039	LM21091	FHM687				
4241550	FHW4314	LL42201	FHC6003	LL80012	FHC6038	LM21189	FHM1056				
4241561	FHW4303	LL42503	FHC6024	LL80121	FHC6064	LM21260	FHM1189				
4241571	FHW4297	LL42711	FHC6014	LL80122	FHC6112	LM21281	FHM1184				
4241575	FHW4194	LL43601	FHC6063	LM13106	FHC5030	LM21341	FHM1173				
4241596	FHW4207	LL45020	FHC6002	LM13145	FHC5037	LM21361	FHM1092				
4241597	FHW4344	LL49907	FHC6033	LM14758	FHM1147	LM21411	FHM1168				
4241598	FHW4207	LL49908	FHC6030	LM14918	FHM1090	LM21438	FHM1013				
4241622	FHW4298	LL49909	FHC6045	LM15001	FHC5081	LM21505	FHM1021				
4241623	FHW4298	LL60000	FHC6053	LM15002	FHC5109	LM21519	FHM1016				
4241640	FHW4299	LL60001	FHC6094	LM15003	FHC5061	LM21565	FHM1091				
4241782	FHW4126	LL60002	FHC6044	LM15007	FHC5083	LM22082	FHC5070				
4241783	FHW4151	LL60092	FHC6082	LM15014	FHM1192	LM22083	FHC5070				
4241784	FHW4274	LL60093	FHC6086	LM15059	FHM1174	LM22103	FHC5084				
4241785	FHW4273	LL60094	FHC6083	LM15073	FHM649	LM22136	FHC5006				
4241933	FHW4304	LL60126	FHC6066	LM15074	FHM1033	LM22500	FHM638				
4241942	FHW4309	LL60140	FHC6080	LM15125	FHC5079	LM23383	FHM527				
4241949	FHW4350	LL60150	FHC6071	LM15130	FHM1244	LM23386	FHM1182				
4242050	FHW160	LL60163	FHC6081	LM15298	FHM1182	LM23424	FHM519				
4242051	FHW159	LL60222	FHC6084	LM15300	FHM528	LM23474	FHM1028				
4242061	FHW4253	LL60223	FHC6075	LM15307	FHM1073	LM23476	FHM589				
4242062	FHW4296	LL60473	FHC6107	LM15349	FHC5110	LM23477	FHM1025				
4242141	FHW4094	LL60478	FHC6067	LM15355	FHM1079	LM23487	FHM1169				
4242142	FHW4102	LL60479	FHC6061	LM15357	FHM1212	LM23491	FHM1164				
4242158	FHW4070	LL60582	FHC6048	LM15453	FHM1181	LM23510	FHM631				
31746N	FHW091	LL60673	FHC6079	LM18840	FHM1183	LM23511	FHM1243				
31747N	FHW092	LL60675	FHC6085	LM20000	FHM679	LM23512	FHM1093				
LL10469	FHC6022	LL60677	FHC6065	LM20001	FHM677	LM23517	FHM1008				
LL12401	FHC6103	LL60679	FHC6072	LM20003	FHC5023	LM23518	FHM639				
LL12405	FHC6034	LL60693	FHC6055	LM20004	FHC5014	LM23519	FHM1012				
LL15016	FHC6104	LL60778	FHC6097	LM20005	FHC5016	LM23521	FHM1177				
LL15017	FHC6104	LL60812	FHC6092	LM20007	FHM649	LM23523	FHM524				
LL15068	FHC6015	LL60909	FHC6073	LM20008	FHM1047	LM23526	FHM582				
LL15101	FHC6105	LL60914	FHC6060	LM20009	FHM1046	LM23580	FHM522				
LL15252	FHC6046	LL60914	FHC6091	LM20017	FHM1163	LM23607	FHM554				
LL16013	FHC6074	LL60929	FHC6055	LM20018	FHM1135	LM23626	FHM503				
LL21087	FHC6019	LL61097	FHC6090	LM20099	FHM1121	LM23629	FHM1242				
LL21088	FHC6021	LL62039	FHC6047	LM21007	FHM823	LM23630	FHM1030				
LL21115	FHC6068	LL62040	FHC6110	LM21008	FHM827	LM23646	FHM586				
LL21503	FHC6018	LL62070	FHC6042	LM21009	FHM661	LM23647	FHM1230				
LL21509	FHC6025	LL62071	FHC6095	LM21010	FHM1166	LM23664	FHM526				
LL21518	FHC6023	LL62072	FHC6096	LM21011	FHM663	LM23665	FHM640				
LL22570	FHC6001	LL62074	FHC6108	LM21012	FHM664	LM23683	FHM525				
LL36166	FHC6087	LL70029	FHC6028	LM21014	FHM821	LM23684	FHM636				
LL36195	FHC6043	LL70033	FHC6050	LM21015	FHM826	LM23690	FHM602				
LL37528	FHC6088	LL70062	FHC6004	LM21017	FHM1027	LM23719	FHM1117				
LL37531	FHC6060	LL70062	FHC6012	LM21021	FHM669	LM23768	FHM561				
LL37533	FHC6064	LL70079	FHC6036	LM21022	FHM671	LM23781	FHM625				
LL40014	FHC6011	LL70112	FHC6026	LM21024	FHM673	LM23822	FHM525				
LL40059	FHC6037	LL70113	FHC6040	LM21025	FHM670	LM23823	FHM586				
LL40060	FHC6045	LL70114	FHC6005	LM21026	FHM672	LM23834	FHM592				
LL40811	FHC6017	LL70115	FHC6027	LM21038	FHM624	LM23849	FHM1125				
LL40813	FHC6006	LL70224	FHC6000	LM21063	FHM690	LM23854	FHM646				
LL40814	FHC6016	LL70227	FHC6020	LM21065	FHM688	LM23877	FHM620				
LL40821	FHC6010	LL70309	FHC6001	LM21066	FHM689	LM23892	FHM647				

COMPETITOR INTERCHANGE

...DELPHI

FERODO

LM23906	FHM692
LM23912	FHM634
LM23920	FHM626
LM23955	FHM637
LM23967	FHM635
LM23998	FHM622
LM23999	FHM623
LM24008	FHM659
LM24018	FHM620
LM24019	FHM1109
LM29584	FHM1292
LM29731	FHM1052
LM29735	FHC5033
LM29739	FHM1086
LM30009	FHM685
LM30012	FHM681
LM30046	FHM683
LM30049	FHM682
LM30050	FHM1061
LM30052	FHM1107
LM30057	FHM507
LM36044	FHC5067
LM36060	FHM1150
LM36197	FHM1185
LM36199	FHM530
LM36200	FHM578
LM36315	FHM1239
LM36355	FHM1071
LM36420	FHM1240
LM36532	FHM818
LM36619	FHM1241
LM38382	FHC5077
LM38606	FHC5043
LM38830	FHC5098
LM38893	FHC5056
LM39000	FHM695
LM39001	FHM694
LM39002	FHM574
LM39003	FHM696
LM39004	FHM693
LM39005	FHM1067
LM39013	FHM1220
LM39018	FHM1228
LM39024	FHM1278
LM39032	FHC5057
LM39033	FHM1082
LM39036	FHM1061
LM39037	FHM1276
LM39038	FHM1160
LM39039	FHM1078
LM39040	FHM1042
LM39056	FHC5091
LM39058	FHM1146
LM39065	FHM689
LM39066	FHM1118
LM39067	FHC5106
LM39068	FHC5107
LM39086	FHM1201

...DELPHI

FERODO

LM39090	FHM1050
LM39095	FHC5058
LM40002	FHC5019
LM40003	FHC5060
LM40022	FHC5003
LM40024	FHM684
LM40025	FHM617
LM40029	FHC5029
LM40038	FHM1267
LM40055	FHM1101
LM40056	FHC5068
LM40058	FHC5063
LM40111	FHM500
LM40112	FHM501
LM40166	FHM1007
LM40169	FHM608
LM40211	FHM509
LM40251	FHM1002
LM40264	FHM606
LM40282	FHM1040
LM40291	FHM1087
LM40402	FHM1263
LM40538	FHM1270
LM40621	FHM1198
LM40622	FHM581
LM40631	FHM1165
LM40818	FHM1197
LM40820	FHM1287
LM40825	FHM508
LM41142	FHM629
LM41201	FHM686
LM41451	FHM1259
LM41491	FHM1006
LM41492	FHM1006
LM41531	FHM576
LM41572	FHM1259
LM42031	FHM585
LM42191	FHM590
LM42331	FHM1264
LM42651	FHM1014
LM42962	FHM627
LM43012	FHM596
LM43210	FHM1200
LM43311	FHM504
LM43511	FHM1260
LM43611	FHM1260
LM43771	FHM570
LM43801	FHM698
LM45211	FHW4062
LM48000	FHC5021
LM48212	FHC5017
LM48401	FHC5026
LM48411	FHM1257
LM48512	FHM612
LM48601	FHC5054
LM48900	FHC5031
LM48911	FHM515
LM49000	FHC5073

...DELPHI

FERODO

LM49084	FHC5011
LM49207	FHM630
LM49210	FHC5000
LM49310	FHC5008
LM49610	FHC5005
LM49612	FHM607
LM49904	FHC5096
LM49909	FHM689
LM49910	FHC5052
LM49911	FHM1273
LM49912	FHM1234
LM49914	FHM1141
LM49915	FHM1229
LM49917	FHC5053
LM49919	FHC5028
LM49932	FHM1224
LM49934	FHM1202
LM49938	FHM1140
LM49943	FHM1161
LM50012	FHM543
LM50013	FHM556
LM50014	FHM558
LM50015	FHM557
LM50016	FHM560
LM50020	FHM541
LM50025	FHM555
LM50026	FHM1261
LM50028	FHM537
LM50039	FHM567
LM50048	FHM567
LM50051	FHM569
LM50052	FHM1261
LM50052	FHM568
LM50053	FHM571
LM50054	FHM1119
LM50055	FHM1076
LM50056	FHM1004
LM50083	FHM1265
LM50087	FHM1233
LM51027	FHM1126
LM51028	FHM1170
LM51031	FHM1269
LM51032	FHM1081
LM51033	FHM1019
LM51034	FHM1210
LM51035	FHM1209
LM51038	FHW420
LM51039	FHM1151
LM60076	FHC5069
LM60084	FHC5086
LM60226	FHM1246
LM60228	FHM1167
LM60519	FHM1245
LM60618	FHM1118
LM60626	FHM1155
LM60627	FHM1154
LM60631	FHM1248
LM60632	FHM1247

...DELPHI

FERODO

LM60633	FHM1153
LM60676	FHC5085
LM60686	FHC5099
LM60695	FHM1158
LM60823	FHM1250
LM60961	FHC5080
LM60975	FHM1256
LM61090	FHM1176
LM61091	FHM1252
LM61092	FHM1253
LM61094	FHC5103
LM62016	FHM1156
LM62017	FHM1157
LM62018	FHM1251
LM62024	FHM1059
LM62034	FHC5088
LM62081	FHM1175
LM62082	FHM1219
LM62089	FHC5055
LM62094	FHC5072
LM62095	FHM1104
LM62096	FHC5075
LM62099	FHC5062
LM62100	FHM1190
LM62102	FHM1204
LM62107	FHM1222
LM70001	FHM1054
LM70002	FHM1031
LM70009	FHM1187
LM70013	FHM1291
LM70014	FHM1032
LM70015	FHM1179
LM70016	FHM1138
LM70017	FHM1289
LM70018	FHM1089
LM70022	FHM1186
LM70023	FHM536
LM70026	FHM1124
LM70030	FHM1029
LM70031	FHM534
LM70032	FHC5112
LM70034	FHM1017
LM70050	FHM656
LM70051	FHM1000
LM70055	FHM536
LM70061	FHC5042
LM70065	FHM1136
LM70067	FHM1034
LM70069	FHM1009
LM70071	FHM1172
LM70072	FHM1290
LM70073	FHM1001
LM70074	FHM1026
LM70075	FHM1003
LM70077	FHC5065
LM70078	FHC5034
LM70081	FHM1022
LM70089	FHC5036

COMPETITOR INTERCHANGE

...DELPHI

FERODO

LM70116	FHM1045
LM70117	FHM1075
LM70119	FHM1011
LM70121	FHM1288
LM70124	FHM1010
LM70125	FHM1058
LM70126	FHC5047
LM70127	FHC5046
LM70128	FHC5040
LM70129	FHC5007
LM70130	FHC5020
LM70131	FHM1023
LM70132	FHM657
LM70133	FHM1066
LM70134	FHC5051
LM70135	FHM1000
LM70136	FHM1060
LM70141	FHM1039
LM70142	FHM1258
LM70145	FHM1098
LM70146	FHM1048
LM70147	FHM1020
LM70148	FHC5009
LM70153	FHM1133
LM70157	FHM1035
LM70158	FHM1098
LM70164	FHC5049
LM70169	FHM655
LM70172	FHC5044
LM70179	FHC5078
LM70184	FHM1077
LM70188	FHC5041
LM70194	FHM1085
LM70195	FHM662
LM70196	FHM1041
LM70197	FHM1057
LM70198	FHM668
LM70199	FHM658
LM70201	FHC5027
LM70222	FHC5004
LM70223	FHC5001
LM70228	FHM660
LM70318	FHM1084
LM70319	FHM665
LM70320	FHC5113
LM70321	FHM666
LM70322	FHM662
LM70323	FHM667
LM70329	FHC5018
LM70332	FHM665
LM70340	FHM1083
LM70341	FHM1055
LM70344	FHM1072
LM70345	FHM1036
LM70346	FHM1063
LM70349	FHM1080
LM70350	FHM1171
LM70351	FHM1037

...DELPHI

FERODO

LM70352	FHM1065
LM70353	FHM1053
LM70354	FHM1043
LM70356	FHC5013
LM70357	FHM1285
LM70358	FHM1286
LM70360	FHM1268
LM70365	FHM1068
LM70366	FHM1284
LM70367	FHM1106
LM70368	FHM1037
LM70369	FHM1053
LM70370	FHM1049
LM70371	FHM1053
LM70372	FHM1064
LM80007	FHC5087
LM80009	FHM1134
LM80013	FHM1088
LM80103	FHM1122
LM80105	FHM1274
LM80108	FHM675
LM80109	FHM1277
LM80110	FHM1272
LM80111	FHM1074
LM80112	FHM1127
LM80114	FHM1005
LM80115	FHM1130
LM80117	FHM1105
LM80118	FHM1099
LM80119	FHM1062
LM80121	FHM1148
LM80122	FHM820
LM80123	FHM1281
LM80124	FHM1215
LM80125	FHM1279
LM80126	FHM616
LM80127	FHM1282
LM80129	FHM1178
LM80130	FHM1142
LM80131	FHM1217
LM80132	FHM1218
LM80133	FHM1216
LM80134	FHM1214
LM80137	FHM1211
LM80139	FHM1051
LM80140	FHC5071
LM80142	FHM815
LM80144	FHC5012
LM80147	FHM1108
LM80151	FHM1062
LM80152	FHM1099
LM80154	FHM663
LM80157	FHM1116
LM80158	FHM1280
LM80165	FHM1223
LM80166	FHM1115
LM80168	FHM1221
LM80203	FHM1144

...DELPHI

FERODO

LM80223	FHM1096
LM80227	FHM1113
LM80228	FHM1235
LM80244	FHC5066
LM10100	FHW304
LM10101	FHW305
LM11075	FHW4171
LM11085	FHW4226
LM11088	FHW4344
LM11091	FHW4061
LM11179	FHW4299
LM11184	FHW4002
LM11192	FHW4310
LM11193	FHW4225
LM11287	FHW4300
LM11394	FHW4122
LM11396	FHW161
LM11549	FHW4313
LM11550	FHW4314
LM11561	FHW4303
LM11571	FHW4297
LM11575	FHW4194
LM11596	FHW4207
LM11623	FHW4298
LM11640	FHW4299
LM11782	FHW4126
LM11783	FHW4151
LM11784	FHW4274
LM11785	FHW4273
LM11942	FHW4309
LM11949	FHW4350
LM12050	FHW160
LM12051	FHW159
LM12141	FHW4094
LM12142	FHW4102
LM13299	FHW4368
LM13422	FHW4369
LM14577	FHW4311
LM15000	FHW4307
LM15001	FHW4308
LM15028	FHW4060
LM15039	FHW4301
LM15040	FHW4302
LM15041	FHW4253
LM15042	FHW4296
LM15081	FHW4090
LM15082	FHW4116
LM15083	FHW4168
LM15084	FHW4156
LM15085	FHW4206
LM15086	FHW4306
LM15087	FHW4129
LM15088	FHW4056
LM15112	FHW4191
LM15113	FHW4191
LM15296	FHW4229
LM15302	FHW4143
LM15303	FHW4132

...DELPHI

FERODO

LW15311	FHW4002
LW15312	FHW4046
LW15354	FHW4061
LW15971	FHW209
LW16008	FHW225
LW16008ALU	FHW4019
LW16087	FHW4040
LW21054	FHW237
LW21055	FHW238
LW21056	FHW236
LW21057	FHW233
LW21058	FHW235
LW21059	FHW244
LW21060	FHW214
LW21061	FHW226
LW21064	FHW4023
LW21071	FHW231
LW21072	FHW232
LW21073	FHW237
LW21074	FHW238
LW21089	FHW229
LW21092	FHW4277
LW21093	FHW4276
LW21094	FHW419
LW21311	FHW4037
LW21322	FHW4142
LW21447	FHW162
LW21450	FHW171
LW21451	FHW4265
LW21520	FHW148
LW21583	FHW129
LW21584	FHW130
LW21591	FHW4140
LW21627	FHW4266
LW21628	FHW4333
LW21629	FHW4245
LW21630	FHW095
LW21639	FHW025
LW21666	FHW4216
LW21669	FHW4216
LW21685	FHW128
LW21691	FHW011
LW21694	FHW4051
LW21700	FHW099
LW21701	FHW4215
LW21739	FHW128
LW21740	FHW4340
LW21751	FHW124
LW21752	FHW053
LW21753	FHW158
LW21754	FHW4339
LW21756	FHW131
LW21758	FHW145
LW21778	FHW147
LW21779	FHW146
LW21789	FHW153
LW21792	FHW4044
LW21793	FHW150

COMPETITOR INTERCHANGE

...DELPHI

FERODO

LW21796	FHW107
LW21797	FHW170
LW21815	FHW034
LW21828	FHW168
LW21829	FHW169
LW21831	FHW019
LW21832	FHW104
LW21839	FHW201
LW21850	FHW185
LW21867	FHW134
LW21868	FHW133
LW21877	FHW202
LW21897	FHW178
LW21898	FHW179
LW21899	FHW188
LW21900	FHW187
LW21903	FHW015
LW21904	FHW016
LW21905	FHW183
LW21906	FHW184
LW21907	FHW427
LW21908	FHW431
LW21927	FHW101
LW21960	FHW008
LW21961	FHW210
LW21966	FHW023
LW21980	FHW192
LW21983	FHW191
LW21988	FHW145
LW21990	FHW106
LW22103	FHW4098
LW22104	FHW4003
LW22118	FHW221
LW22132	FHW215
LW22135	FHW133
LW22136	FHW134
LW22161	FHW094
LW22174	FHW214
LW22306	FHW231
LW22307	FHW232
LW24109	FHW4208
LW24110	FHW4208
LW25027	FHW056
LW25028	FHW057
LW25031	FHW039
LW25032	FHW040
LW25035	FHW043
LW25036	FHW044
LW25055	FHW064
LW25056	FHW065
LW25061	FHW346
LW25062	FHW347
LW25063	FHW068
LW25064	FHW069
LW25065	FHW4210
LW25066	FHW4197
LW25077	FHW4029
LW25078	FHW4043

...DELPHI

FERODO

LW25085	FHW072
LW25086	FHW073
LW25101	FHW346
LW25102	FHW347
LW25113	FHW045
LW25114	FHW046
LW25121	FHW103
LW25122	FHW102
LW25123	FHW086
LW25124	FHW087
LW25135	FHW047
LW25136	FHW048
LW25137	FHW082
LW25138	FHW083
LW25141	FHW103
LW25142	FHW102
LW25143	FHW086
LW25144	FHW087
LW25145	FHW090
LW25146	FHW088
LW26504	FHW217
LW26505	FHW223
LW26506	FHW218
LW30003	FHW342
LW30005	FHW222
LW30007	FHW4018
LW30014	FHW4211
LW30015	FHW4351
LW30048	FHW338
LW30058	FHW334
LW30059	FHW333
LW30072	FHW4173
LW30073	FHW4248
LW30074	FHW149
LW30084	FHW105
LW30107	FHW098
LW30111	FHW036
LW30112	FHW037
LW30115	FHW035
LW30155	FHW329
LW30156	FHW330
LW30157	FHW4271
LW30158	FHW4269
LW30159	FHW331
LW30160	FHW4355
LW30201	FHW244
LW30235	FHW052
LW30240	FHW233
LW30252	FHW120
LW30262	FHW116
LW30263	FHW117
LW30266	FHW121
LW30267	FHW122
LW30269	FHW113
LW30271	FHW123
LW30312	FHW4345
LW30313	FHW4346
LW30318	FHW100

...DELPHI

FERODO

LW30360	FHW4352
LW30361	FHW4147
LW30397	FHW325
LW30402	FHW4244
LW30412	FHW054
LW30437	FHW4249
LW30438	FHW4250
LW30564	FHW055
LW30567	FHW017
LW30568	FHW018
LW30646	FHW4198
LW30647	FHW4367
LW30809	FHW4362
LW30810	FHW4361
LW30855	FHW138
LW30856	FHW139
LW30989	FHW219
LW30990	FHW220
LW31035	FHW4057
LW31036	FHW4069
LW31157	FHW212
LW31203	FHW140
LW31289	FHW062
LW31290	FHW063
LW31419	FHW193
LW31539	FHW075
LW31540	FHW076
LW31541	FHW089
LW31542	FHW074
LW31746	FHW091
LW31747	FHW092
LW31770	FHW211
LW31771	FHW321
LW31841	FHW200
LW33049	FHW4257
LW33476	FHW4347
LW34597	FHW4353
LW35534	FHW4201
LW35855	FHW4348
LW36020	FHW213
LW36029	FHW194
LW36030	FHW4011
LW36031	FHW195
LW36165	FHW335
LW36166	FHW135
LW36167	FHW336
LW37337	FHW059
LW37515	FHW337
LW37521	FHW027
LW37523	FHW093
LW37551	FHW026
LW37871	FHW4349
LW38676	FHW4272
LW39034	FHW4045
LW39035	FHW4052
LW39036	FHW358
LW39052	FHW348
LW39053	FHW349

...DELPHI

FERODO

LW39171	FHW4228
LW39174	FHW4076
LW39176	FHW416
LW39177	FHW417
LW39178	FHW404
LW39179	FHW4127
LW40001	FHW4021
LW40601	FHW058
LW40611	FHW4049
LW40612	FHW4004
LW40812	FHW004
LW40819	FHW4278
LW41112	FHW216
LW41791	FHW4041
LW41811	FHW4013
LW42001	FHW4204
LW42106	FHW051
LW42112	FHW010
LW42311	FHW005
LW43201	FHW055
LW44013	FHW4099
LW44201	FHW4254
LW44501	FHW319
LW45016	FHW4005
LW45026	FHW4033
LW45211	FHW4022
LW45511	FHW4031
LW45512	FHW4039
LW47029	FHW429
LW48401	FHW128
LW49038	FHW030
LW49038	FHW339
LW49039	FHW4202
LW49040	FHW4030
LW50000	FHW421
LW50002	FHW4150
LW50003	FHW021
LW50004	FHW4305
LW50005	FHW4295
LW50006	FHW013
LW50007	FHW228
LW50008	FHW041
LW50009	FHW4139
LW50010	FHW318
LW50029	FHW4097
LW50031	FHW002
LW50032	FHW013
LW50033	FHW002
LW50034	FHW002
LW50040	FHW003
LW50047	FHW317
LW50071	FHW4284
LW50079	FHW4356
LW50082	FHW410
LW60002	FHW4028
LW60007	FHW4080
LW60011	FHW405
LW60096	FHW4327

COMPETITOR INTERCHANGE

...DELPHI

FERODO

LW60103	FHW174
LW60103	FHW4167
LW60106	FHW4077
LW60108	FHW190
LW60109	FHW4224
LW60111	FHW4267
LW60113	FHW4293
LW60115	FHW203
LW60119	FHW182
LW60119	FHW4294
LW60120	FHW181
LW60120	FHW4222
LW60130	FHW4223
LW60130	FHW4316
LW60131	FHW4317
LW60148	FHW4068
LW60149	FHW4092
LW60161	FHW4217
LW60169	FHW313
LW60174	FHW177
LW60175	FHW176
LW60265	FHW4218
LW60266	FHW182
LW60267	FHW181
LW60268	FHW4321
LW60269	FHW4322
LW60271	FHW4319
LW60272	FHW4318
LW60274	FHW4130
LW60276	FHW4285
LW60280	FHW4184
LW60281	FHW4288
LW60282	FHW4081
LW60283	FHW4024
LW60291	FHW4174
LW60292	FHW4130
LW60295	FHW4144
LW60296	FHW4164
LW60298	FHW4159
LW60299	FHW4200
LW60305	FHW4325
LW60306	FHW4177
LW60307	FHW4320
LW60310	FHW4189
LW60311	FHW4246
LW60312	FHW4286
LW60314	FHW4287
LW60325	FHW4326
LW60326	FHW4328
LW60327	FHW4149
LW60328	FHW4221
LW60331	FHW4178
LW60333	FHW4190
LW60339	FHW4324
LW60340	FHW4138
LW60341	FHW4109
LW60347	FHW4220
LW60348	FHW4219

...DELPHI

FERODO

LW60350	FHW4175
LW60351	FHW4192
LW60354	FHW312
LW60357	FHW4191
LW60385	FHW4365
LW60444	FHW4163
LW60445	FHW4170
LW60531	FHW327
LW60532	FHW328
LW60548	FHW4188
LW60550	FHW4187
LW60622	FHW4087
LW60635	FHW4121
LW60636	FHW4154
LW60642	FHW4256
LW60644	FHW4290
LW60645	FHW4291
LW60653	FHW4259
LW60655	FHW208
LW60655	FHW4323
LW60657	FHW4239
LW60658	FHW4134
LW60659	FHW4186
LW60660	FHW4199
LW60666	FHW4241
LW60668	FHW4148
LW60669	FHW4371
LW60670	FHW4240
LW60753	FHW4291
LW60754	FHW4290
LW60809	FHW4237
LW60831	FHW4227
LW60834	FHW196
LW60835	FHW197
LW60841	FHW4370
LW60869	FHW4124
LW60878	FHW4366
LW61000	FHW4131
LW61001	FHW4153
LW61019	FHW4110
LW61025	FHW4372
LW61034	FHW198
LW61035	FHW199
LW61041	FHW4203
LW61043	FHW4238
LW61063	FHW4195
LW61064	FHW4242
LW61065	FHW4260
LW61115	FHW4086
LW61156	FHW4243
LW61157	FHW4196
LW61165	FHW4111
LW61166	FHW4106
LW61282	FHW4332
LW61285	FHW4374
LW62013	FHW4128
LW62014	FHW4145
LW62015	FHW4084

...DELPHI

FERODO

LW62019	FHW4373
LW62020	FHW4050
LW62021	FHW4146
LW62022	FHW4258
LW62025	FHW4247
LW62026	FHW4334
LW62027	FHW4179
LW62028	FHW4180
LW62046	FHW4055
LW62047	FHW4118
LW62048	FHW4212
LW62049	FHW4252
LW62050	FHW4155
LW62051	FHW4112
LW62053	FHW4123
LW62072	FHW4255
LW62073	FHW4251
LW62074	FHW4026
LW62075	FHW4213
LW62076	FHW4214
LW62080	FHW4020
LW62084	FHW4261
LW62085	FHW4262
LW62086	FHW4165
LW62087	FHW4152
LW62088	FHW423
LW62091	FHW4363
LW62092	FHW4364
LW62093	FHW4166
LW62094	FHW4233
LW62095	FHW422
LW62100	FHW4036
LW62106	FHW4234
LW62117	FHW4205
LW62118	FHW4053
LW70003	FHW4009
LW70004	FHW4010
LW70005	FHW4014
LW70006	FHW152
LW70011	FHW038
LW70019	FHW4016
LW70021	FHW4157
LW70024	FHW155
LW70025	FHW007
LW70028	FHW409
LW70029	FHW156
LW70035	FHW4058
LW70036	FHW4133
LW70037	FHW4064
LW70057	FHW309
LW70059	FHW207
LW70064	FHW077
LW70082	FHW023
LW70083	FHW008
LW70084	FHW042
LW70085	FHW4027
LW70087	FHW4015
LW70088	FHW4017

...DELPHI

FERODO

LW70090	FHW4001
LW70091	FHW4000
LW70092	FHW4059
LW70094	FHW4120
LW70105	FHW4141
LW70106	FHW4012
LW70107	FHW4089
LW70108	FHW4034
LW70140	FHW4182
LW70144	FHW077
LW70150	FHW4083
LW70151	FHW4103
LW70174	FHW4169
LW70192	FHW302
LW70226	FHW227
LW70317	FHW4185
LW70330	FHW4072
LW70336	FHW212
LW70338	FHW224
LW70339	FHW4161
LW70342	FHW038
LW80002	FHW4209
LW80003	FHW4007
LW80004	FHW4008
LW80005	FHW4006
LW80006	FHW4119
LW80014	FHW307
LW80016	FHW306
LW80017	FHW322
LW80100	FHW323
LW80101	FHW403
LW80102	FHW4137
LW80105	FHW4038
LW80106	FHW354
LW80107	FHW357
LW80108	FHW406
LW80109	FHW407
LW80112	FHW359
LW80113	FHW425
LW80114	FHW343
LW80115	FHW362
LW80116	FHW4075
LW80117	FHW411
LW80118	FHW412
LW80119	FHW402
LW80120	FHW401
LW80122	FHW4042
LW80125	FHW418
LW90004	FHW4281
LW90007	FHW4160
LW90008	FHW4292
LW90012	FHW4282
LW90013	FHW4283
LW90021	FHW4113
LW90041	FHW4079
MAP1005	FHM1056
MAP1215	FHC5070
MAP1305	FHM1260

COMPETITOR INTERCHANGE

...DELPHI

FERODO

MAP1316	FHM596
MAP1368	FHM1259
MAP1370	FHM1006
MAP1773	FHM500
MAP1919	FHM1164
MAP198	FHM1003
MAP199	FHM1026
MAP200	FHM1017
MAP202	FHM1054
MAP203	FHM1179
MAP205	FHM1034
MAP206	FHM1136
MAP207	FHM1089
MAP2343	FHM1025
MAP2344	FHM1008
MAP2345	FHM589
MAP2366	FHM639
MAP2368	FHM522
MAP2369	FHM640
MAP2377	FHM586
MAP2396	FHM526
MAP2408	FHM582
MAP2409	FHM554
MAP2449	FHM1172
MAP2454	FHM1187
MAP2459	FHM1289
MAP2461	FHM1124
MAP2464	FHM1029
MAP2473	FHM1009
MAP2483	FHM536
MAP2492	FHM1186
MAP258	FHC5042
MAP2733	FHM1006
MAP2827	FHM585
MAP334	FHM1189
MAP335	FHM1184
MAP342	FHM1173
MAP343	FHM1092
MAP350	FHM1168
MAP352	FHM1013
MAP356	FHM1021
MAP365	FHM527
MAP366	FHM519
MAP476	FHM576
MAP5298	FHM1182
MAP787	FHC5070
MAP788	FHC5006
MAP806	FHC5021
MAP807	FHC5054
MAP808	FHC5073
MAP829	FHC5084
MAP868	FHM1022
MAP870	FHM1031
MAP871	FHM1023
MAP872	FHM1290
MAP875	FHM1032
MAP876	FHM1138
MAP878	FHM1291

...DELPHI

FERODO

MAP887	FHM524
MAP929	FHC5084
MAP930	FHM1012
MAP948	FHM1136
MAP951	FHM1018
SAP2407	FHC6023
SAP262	FHC6004
SAP262	FHC6012
SAP792	FHC6068
SAP796	FHC6018
SAP799	FHC6025
SAP801	FHC6023
SAP818	FHC6024
SAP956	FHC6003
SAP960	FHC6016
WAP1019	FHW4037
WAP1020	FHW4208
WAP103	FHW4316
WAP104	FHW4317
WAP1214	FHW124
WAP1357	FHW129
WAP1358	FHW130
WAP188	FHW4059
WAP189	FHW152
WAP190	FHW4000
WAP191	FHW4001
WAP1913	FHW207
WAP1916	FHW216
WAP192	FHW4009
WAP193	FHW4014
WAP1932	FHW153
WAP1935	FHW128
WAP194	FHW4058
WAP1946	FHW013
WAP195	FHW4064
WAP1953	FHW002
WAP1954	FHW4295
WAP196	FHW4016
WAP1995	FHW4167
WAP2021	FHW4077
WAP2339	FHW116
WAP2340	FHW117
WAP2347	FHW113
WAP2351	FHW017
WAP2352	FHW018
WAP2371	FHW123
WAP2372	FHW053
WAP2373	FHW052
WAP2374	FHW120
WAP2384	FHW056
WAP2385	FHW057
WAP2386	FHW039
WAP2387	FHW040
WAP2388	FHW036
WAP2389	FHW037
WAP2390	FHW035
WAP2411	FHW170
WAP2437	FHW131

...DELPHI

FERODO

WAP2440	FHW121
WAP2441	FHW122
WAP2444	FHW054
WAP2445	FHW105
WAP2446	FHW015
WAP2447	FHW016
WAP2452	FHW152
WAP2474	FHW145
WAP2481	FHW038
WAP2484	FHW155
WAP2486	FHW007
WAP2495	FHW4157
WAP2496	FHW309
WAP2497	FHW168
WAP2498	FHW169
WAP2499	FHW156
WAP25	FHW4327
WAP2501	FHW4064
WAP2512	FHW038
WAP2525	FHW177
WAP2526	FHW176
WAP2564	FHW190
WAP2571	FHW4224
WAP2644	FHW4267
WAP2649	FHW4217
WAP2678	FHW4092
WAP2700	FHW4068
WAP2701	FHW313
WAP2738	FHW005
WAP2751	FHW4031
WAP2755	FHW4039
WAP2781	FHW019
WAP2822	FHW185
WAP2833	FHW104
WAP296	FHW4140
WAP3068	FHW4293
WAP3145	FHW100
WAP370	FHW148
WAP373	FHW4044
WAP378	FHW162
WAP379	FHW171
WAP380	FHW150
WAP381	FHW4245
WAP386	FHW4339
WAP388	FHW4340
WAP390	FHW158
WAP392	FHW107
WAP393	FHW4266
WAP394	FHW4333
WAP396	FHW095
WAP397	FHW147
WAP398	FHW146
WAP399	FHW147
WAP401	FHW025
WAP402	FHW4216
WAP405	FHW011
WAP406	FHW4208
WAP5028	FHW4060

...DELPHI

FERODO

WAP503	FHW004
WAP5039	FHW4301
WAP5040	FHW4302
WAP5041	FHW4253
WAP5042	FHW4296
WAP508	FHW4204
WAP5081	FHW4090
WAP5082	FHW4116
WAP5083	FHW4168
WAP5084	FHW4156
WAP5085	FHW4206
WAP5086	FHW4306
WAP5087	FHW4129
WAP5088	FHW4056
WAP510	FHW4013
WAP513	FHW010
WAP516	FHW318
WAP517	FHW319
WAP525	FHW4022
WAP5296	FHW4229
WAP5302	FHW4143
WAP5303	FHW4132
WAP5311	FHW4002
WAP5312	FHW4046
WAP5354	FHW4061
WAP880	FHW4133
WAP881	FHW4010
WAP883	FHW409
WAP888	FHW4142
WAP889	FHW4051
WAP890	FHW099
WAP925	FHW133
WAP926	FHW134

COMPETITOR INTERCHANGE

EIS		...EIS		...EIS		...EIS	
FERODO		FERODO		FERODO		FERODO	
E100116	FHC5085	EW102424	FHW4246	EW155138	FHC6090	EW96387	FHW216
E100841	FHM1246	EW104393	FHW313	EW155146	FHW4291	EW96399	FHW010
E105903	FHM1167	EW104394	FHW4282	EW155147	FHW4290	EW96402	FHW004
E105906	FHM1025	EW104409	FHW099	EW155149	FHC6094	EW96472	FHW4327
E105907	FHM589	EW104410	FHW128	EW155154	FHW021	EW96562	FHW4324
E105953	FHC5086	EW104412	FHW181	EW155155	FHW005	EW96613	FHW4077
E105953	FHC5101	EW104413	FHW182	EW155156	FHC6007	EW96615	FHW4178
E105962	FHM582	EW104415	FHW203	EW155160	FHC6060	EW96718	FHW4223
E105980	FHC5099	EW104417	FHW4174	EW155167	FHC6096	EW96718	FHW4316
E105988	FHM585	EW104419	FHW4144	EW155169	FHC6102	EW96845	FHW4317
E105990	FHM1252	EW104428	FHW4130	EW155174	FHW4240	EW96846	FHW4325
E150116	FHC5072	EW104429	FHW4164	EW155176	FHW4246	EW98036	FHC6022
E150140	FHC5080	EW104430	FHW4372	EW155177	FHW4241	EW98037	FHW4194
E150143	FHM1158	EW104436	FHW338	EW155179	FHC6100	EW98040	FHW051
E150144	FHM561	EW104437	FHC6075	EW155181	FHC6112	EW98041	FHW4312
E150156	FHM1250	EW104448	FHW055	EW155182	FHW4195	EW98042	FHW4183
E150174	FHM1154	EW104454	FHC6092	EW155184	FHW4359	EW98043	FHC6085
E150185	FHM1247	EW104457	FHW4224	EW155186	FHW4239	EW98048	FHW4130
E150196	FHM571	EW104470	FHW4068	EW155187	FHW4134	EW98058	FHW152
E150199	FHC5091	EW104474	FHW4267	EW155188	FHW4237	EW98065	FHW4016
E150201	FHM1007	EW106040	FHW4167	EW155191	FHC6053	EW98066	FHW409
E150202	FHC5073	EW106042	FHC6066	EW155196	FHW4121	EW98089	FHW4184
E150204	FHM612	EW106043	FHW177	EW155196	FHW4192	EW98095	FHW4348
E150280	FHM1253	EW106045	FHC6073	EW155196	FHW4219	EW98104	FHW4309
E150306	FHC5106	EW106046	FHC6080	EW155197	FHW4154	EW98108	FHW317
E150311	FHM1248	EW106047	FHC6071	EW155197	FHW4175	EW98112	FHC5006
E150315	FHM1155	EW106048	FHW4092	EW155197	FHW4220	EW98113	FHC6025
E150325	FHC5103	EW106049	FHW176	EW155199	FHW4113	EW98115	FHW4339
E150329	FHC5089	EW106051	FHW4191	EW155213	FHC6008	EW98125	FHW107
E150335	FHM1187	EW115211	FHC6023	EW155218	FHW4047	EW98166	FHW4257
E150370	FHC5026	EW150544	FHC5082	EW155220	FHW4186	EW98168	FHW4244
E150385	FHC5088	EW155037	FHW4189	EW155225	FHW4087	EW98169	FHW4347
E150401	FHC5062	EW155038	FHW4148	EW155226	FHW4159	EW98192	FHW4097
E150512	FHM1118	EW155042	FHW4287	EW155227	FHW4200	EW98217	FHC6081
E150541	FHC5107	EW155053	FHW4138	EW155232	FHW4256	EW98220	FHW312
E150607	FHM1119	EW155059	FHW4190	EW155233	FHW4087	EW98229	FHC6086
E97071	FHM1101	EW155080	FHW4218	EW155284	FHW4371	EW98244	FHC6055
E98012	FHM581	EW155082	FHC6089	EW155292	FHC6099	EW98245	FHC6055
E98013	FHM581	EW155085	FHC6048	EW155302	FHW4285	EW98248	FHC6072
E98052	FHM1291	EW155092	FHC6093	EW155312	FHW4110	EW98263	FHW4177
E98056	FHM1179	EW155093	FHW4288	EW155315	FHW4360	EW99057	FHW4101
E98059	FHM1034	EW155094	FHW4081	EW155331	FHW4374	EW99158	FHW4022
E98063	FHM1089	EW155095	FHW4286	EW155332	FHW4373	EW99159	FHW4062
E98124	FHM527	EW155100	FHW4370	EW155335	FHC6098	EW99159	FHW4063
E98171	FHM1006	EW155105	FHW4317	EW155338	FHW208	EW99160	FHW4013
E98173	FHM500	EW155111	FHW139	EW155342	FHW4149	EW99161	FHW4049
E98174	FHM501	EW155112	FHW138	EW155347	FHC6044	EW99162	FHW4104
E98242	FHC5100	EW155115	FHW4196	EW155364	FHC6039	EW99322	FHW4344
EW100108	FHC6084	EW155116	FHW4243	EW155383	FHW4079		
EW100126	FHC6080	EW155117	FHW4163	EW155384	FHW4252		
EW100133	FHC6079	EW155118	FHW4170	EW155385	FHW4212		
EW100137	FHC6082	EW155119	FHW4357	EW155391	FHC5090		
EW100138	FHC6083	EW155121	FHW4356	EW15598	FHW4358		
EW100921	FHW4326	EW155126	FHW4024	EW45999	FHW4284		
EW100922	FHW4328	EW155127	FHC6072	EW71206	FHW4283		
EW100933	FHW4322	EW155128	FHW4259	EW75880	FHW4281		
EW100934	FHW4321	EW155130	FHW4259	EW77079	FHW4318		
EW100936	FHW4320	EW155136	FHW4221	EW77086	FHW4319		

COMPETITOR INTERCHANGE

FIRSTLINE

FERODO

DW115	FHW093
DW116	FHW004
DW151	FHW099
DW155	FHW013
DW156	FHW038
DW157	FHW153
DW158	FHW116
DW159	FHW117
DW160	FHW098
DW167	FHW4060
DW168	FHW123
DW170	FHW120
DW184	FHW077
DW187	FHW331
DW188	FHW4355
DW189	FHW4061
DW190	FHW4350
DW191	FHW338
DW199	FHW4167
DW200	FHW4224
DW201	FHW329
DW202	FHW330
DW207	FHW203
DW209	FHW4294
DW210	FHW4222
DW224	FHW4094
DW225	FHW4102
DW231	FHW019
DW233	FHW4348
DW245	FHW4229
DW27	FHW160
DW28	FHW159
DW29	FHW161
DW296	FHW4139
DW297	FHW4150
DW298	FHW041
DW300	FHW021
DW302	FHW185
DW304	FHW4271
DW305	FHW4269
DW322	FHW190
DW326	FHW100
DW327	FHW4056
DW328	FHW4129
DW329	FHW4306
DW330	FHW4206
DW331	FHW4156
DW332	FHW4168
DW333	FHW4116
DW334	FHW4090
DW335	FHW4132
DW336	FHW4143
DW343	FHW039
DW344	FHW040
DW345	FHW056
DW346	FHW057
DW347	FHW036
DW348	FHW037

...FIRSTLINE

FERODO

DW350	FHW192
DW351	FHW191
DW352	FHW106
DW354	FHW335
DW355	FHW336
DW356	FHW135
DW358	FHW138
DW359	FHW139
DW36	FHW4346
DW362	FHW064
DW363	FHW065
DW366	FHW4191
DW37	FHW4257
DW371	FHW202
DW38	FHW4347
DW415	FHW035
DW426	FHW034
DW427	FHW220
DW428	FHW219
DW429	FHW043
DW430	FHW044
DW431	FHW346
DW432	FHW347
DW434	FHW318
DW435	FHW068
DW436	FHW069
DW437	FHW4057
DW438	FHW4069
DW443	FHW4305
DW444	FHW101
DW461	FHW327
DW462	FHW328
DW463	FHW140
DW476	FHW133
DW477	FHW134
DW478	FHW4210
DW479	FHW4197
DW480	FHW062
DW481	FHW063
DW482	FHW005
DW483	FHW4046
DW484	FHW092
DW485	FHW091
DW486	FHW156
DW487	FHW086
DW488	FHW087
DW489	FHW128
DW49	FHW337
DW490	FHW149
DW491	FHW217
DW492	FHW211
DW493	FHW088
DW494	FHW218
DW495	FHW4043
DW496	FHW307
DW497	FHW4029
DW498	FHW090
DW499	FHW023

...FIRSTLINE

FERODO

DW500	FHW055
DW501	FHW008
DW502	FHW059
DW503	FHW4209
DW504	FHW054
DW505	FHW076
DW506	FHW075
DW507	FHW176
DW508	FHW030
DW509	FHW083
DW510	FHW015
DW511	FHW016
DW512	FHW047
DW513	FHW082
DW514	FHW073
DW515	FHW4068
DW516	FHW131
DW517	FHW074
DW518	FHW089
DW519	FHW228
DW520	FHW072
DW521	FHW042
DW522	FHW4174
DW523	FHW4092
DW524	FHW177
DW525	FHW104
DW526	FHW048
DW529	FHW4184
DW530	FHW4178
DW531	FHW4077
DW532	FHW405
DW533	FHW4024
DW534	FHW4081
DW536	FHW046
DW537	FHW209
DW538	FHW045
DW539	FHW4153
DW540	FHW187
DW541	FHW051
DW542	FHW188
DW543	FHW431
DW544	FHW4131
DW545	FHW196
DW547	FHW4317
DW548	FHW182
DW550	FHW427
DW552	FHW4164
DW553	FHW225
DW554	FHW184
DW555	FHW4218
DW556	FHW4288
DW557	FHW4110
DW558	FHW4086
DW559	FHW197
DW560	FHW183
DW561	FHW210
DW562	FHW094
DW563	FHW4239

...FIRSTLINE

FERODO

DW564	FHW4087
DW565	FHW224
DW566	FHW4316
DW567	FHW058
DW568	FHW4295
DW570	FHW4175
DW571	FHW409
DW572	FHW102
DW573	FHW002
DW575	FHW429
DW576	FHW301
DW577	FHW4219
DW578	FHW226
DW579	FHW4033
DW581	FHW103
DW585	FHW4220
DW586	FHW4241
DW587	FHW214
DW588	FHW168
DW590	FHW017
DW591	FHW018
DW593	FHW4190
DW595	FHW007
DW596	FHW215
DW599	FHW169
DW60	FHW010
DW601	FHW227
DW602	FHW4004
DW604	FHW194
DW605	FHW195
DW617	FHW181
DW622	FHW312
DW625	FHW4237
DW626	FHW4195
DW627	FHW4372
DW628	FHW4170
DW629	FHW4163
DW630	FHW4144
DW631	FHW198
DW632	FHW199
DW633	FHW4340
DW635	FHW170
DW636	FHW105
DW637	FHW4226
DW638	FHW011
DW639	FHW150
DW640	FHW155
DW641	FHW4014
DW642	FHW4016
DW643	FHW4345
DW646	FHW4122
DW647	FHW317
DW648	FHW158
DW649	FHW4339
DW65	FHW207
DW651	FHW025
DW652	FHW095
DW653	FHW107

COMPETITOR INTERCHANGE

...FIRSTLINE

FERODO

DW654	FHW113
DW655	FHW4333
DW656	FHW4266
DW657	FHW4254
DW660	FHW4022
DW661	FHW4013
DW663	FHW4049
DW667	FHW216
DW669	FHW146
DW67	FHW4194
DW670	FHW147
DW671	FHW4208
DW674	FHW171
DW676	FHW4244
DW677	FHW4309
DW678	FHW4171
DW68	FHW4344
DW680	FHW4314
DW681	FHW4313
DW682	FHW4151
DW683	FHW4126
DW684	FHW4201
DW687	FHW4204
DW688	FHW319
DW689	FHW4157
DW692	FHW121
DW693	FHW122
DW694	FHW129
DW695	FHW130
DW698	FHW4308
DW699	FHW4307
DW700	FHW325
DW701	FHW162
DW704	FHW4349
DW705	FHW4248
DW706	FHW4173
DW707	FHW4351
DW708	FHW4211
DW709	FHW4321
DW710	FHW4322
DW711	FHW4225
DW712	FHW4002
DW713	FHW4352
DW714	FHW4147
DW718	FHW4303
DW719	FHW4273
DW72	FHW152
DW720	FHW4274
DW721	FHW4296
DW722	FHW4253
DW723	FHW309
DW724	FHW145
DW725	FHW4031
DW726	FHW4299
DW730	FHW4297
DW731	FHW4298
DW734	FHW4302
DW735	FHW4301

...FIRSTLINE

FERODO

DW736	FHW4039
DW737	FHW4285
DW74	FHW027
DW740	FHW4221
DW741	FHW4149
DW754	FHW4130
DW755	FHW4318
DW756	FHW4319
DW76	FHW026
DW763	FHW4327
DW769	FHW4267
DW772	FHW4328
DW773	FHW313
DW774	FHW4177
DW775	FHW4320
DW777	FHW4300
DW778	FHW4109
DW779	FHW4293
DW785	FHW4192
DW786	FHW4256
DW789	FHW4367
DW790	FHW4198
DW793	FHW4005
DW795	FHW4134
DW796	FHW4182
DW797	FHW4326
DW798	FHW4286
DW800	FHW4325
DW801	FHW4287
DW802	FHW4189
DW803	FHW4246
DW805	FHW4124
DW806	FHW4238
DW807	FHW4366
DW81	FHW4140
DW810	FHW4203
DW812	FHW4159
DW813	FHW4200
DW814	FHW4188
DW815	FHW4187
DW816	FHW052
DW817	FHW201
DW818	FHW4010
DW819	FHW237
DW820	FHW238
DW823	FHW236
DW825	FHW4146
DW826	FHW4028
DW83	FHW4207
DW832	FHW4106
DW833	FHW229
DW85	FHW4228
DW86	FHW4272
FBA2001	FHC6024
FBA2002	FHC6003
FBA2004	FHC6007
FBA2005	FHC6011
FBA2007	FHC6050

...FIRSTLINE

FERODO

FBA2008	FHC6084
FBA2009	FHC6043
FBA2010	FHC6004
FBA2011	FHC6075
FBA2025	FHC6082
FBA2026	FHC6086
FBA2027	FHC6083
FBA2033	FHC6067
FBA2034	FHC6061
FBA2035	FHC6092
FBA2039	FHC6018
FBA2040	FHC6025
FBA2041	FHC6023
FBA2042	FHC6022
FBA2044	FHC6087
FBA2045	FHC6069
FBA2046	FHC6068
FBA2047	FHC6066
FBA2048	FHC6080
FBA2049	FHC6071
FBA2051	FHC6081
FBA2052	FHC6048
FBA2054	FHC6055
FBA2056	FHC6073
FBA2057	FHC6091
FBA2059	FHC6073
FBA2069	FHC6014
FBA2070	FHC6012
FBA2071	FHC6017
FBA2073	FHC6001
FBA2074	FHC6039
FBA2075	FHC6038
FBA2076	FHC6088
FBA2077	FHC6072
FBA2078	FHC6094
FBA2082	FHC6090
FBA2088	FHC6008
FBA2094	FHC6070
FBA2109	FHC6013
FBA2112	FHC6103
FBA2113	FHC6034
FBA2117	FHC6104
FBA2118	FHC6015
FBA2119	FHC6105
FBA2122	FHC6000
FBA2123	FHC6019
FBA2124	FHC6021
FBA2125	FHC6016
FBA2126	FHC6006
FBA2128	FHC6060
FBA2129	FHC6010
FBA2131	FHC6044
FBA2132	FHC6053
FBA2133	FHC6095
FBA2134	FHC6051
FBA2135	FHC6020
FBA2136	FHC6030
FBA2141	FHC6106

...FIRSTLINE

FERODO

FBM3001	FHC5054
FBM3004	FHC5031
FBM3005	FHC5073
FBM3007	FHC5011
FBM3008	FHC5112
FBM3011	FHC5043
FBM3012	FHC5042
FBM3013	FHC5051
FBM3018	FHC5003
FBM3030	FHC5069
FBM3031	FHC5086
FBM3037	FHC5085
FBM3039	FHC5006
FBM3042	FHC5067
FBM3043	FHC5077
FBM3044	FHC5087
FBM3045	FHC5084
FBM3069	FHC5017
FBM3085	FHC5026
FBM3088	FHC5029
FBM3165	FHC5021
FBM3168	FHC5103
FBM3170	FHC5004
FBM3175	FHC5037
FBM3176	FHC5109
FBM3177	FHC5083
FBM3180	FHC5032
FBM3181	FHC5023
FBM3182	FHC5016
FBM3183	FHC5014
FBM3184	FHC5005
FBM3185	FHC5000
FBM3186	FHC5068
FBM3187	FHC5019
FBM3188	FHC5022
FBM3189	FHC5102
FBM3190	FHC5027
FBM3191	FHC5062
FBM3195	FHC5055
FBM4	FHM1046
FBM4003	FHM1091
FBM4004	FHM638
FBM4006	FHM596
FBM4008	FHM1263
FBM4009	FHM581
FBM4010	FHM686
FBM4016	FHM1013
FBM4017	FHM1016
FBM4018	FHM1006
FBM4019	FHM1008
FBM4020	FHM639
FBM4021	FHM1012
FBM4022	FHM524
FBM4023	FHM522
FBM4024	FHM586
FBM4026	FHM640
FBM4029	FHM1073
FBM4030	FHM1292

COMPETITOR INTERCHANGE

...FIRSTLINE

FERODO

FBM4031	FHM1052
FBM4032	FHM1124
FBM4033	FHM1054
FBM4034	FHM1172
FBM4036	FHM1187
FBM4039	FHM1291
FBM4040	FHM1032
FBM4041	FHM1179
FBM4042	FHM1138
FBM4043	FHM1289
FBM4044	FHM1089
FBM4046	FHM1186
FBM4047	FHM536
FBM4049	FHM1029
FBM4050	FHM1017
FBM4053	FHM656
FBM4054	FHM1001
FBM4055	FHM1000
FBM4056	FHM1060
FBM4057	FHM1020
FBM4058	FHM655
FBM4061	FHM1147
FBM4062	FHM1090
FBM4063	FHM1164
FBM4066	FHM1243
FBM4067	FHM1093
FBM4068	FHM1242
FBM4070	FHM602
FBM4071	FHM1125
FBM4072	FHM646
FBM4073	FHM647
FBM4075	FHM1185
FBM4077	FHM530
FBM4078	FHM578
FBM4079	FHM1239
FBM4080	FHM1071
FBM4083	FHM1240
FBM4089	FHM1246
FBM4090	FHM1167
FBM4104	FHM1158
FBM4106	FHC5056
FBM4107	FHM1136
FBM4108	FHM1034
FBM4109	FHM1098
FBM4122	FHM1007
FBM4167	FHM1192
FBM4171	FHM582
FBM4175	FHM554
FBM4176	FHM526
FBM4178	FHM525
FBM4180	FHM625
FBM4181	FHM620
FBM4183	FHM1182
FBM4185	FHM528
FBM4186	FHM1189
FBM4187	FHM1168
FBM4188	FHM527
FBM4190	FHM519

...FIRSTLINE

FERODO

FBM4193	FHM1028
FBM4194	FHM589
FBM4195	FHM1025
FBM4196	FHM1177
FBM4198	FHM561
FBM4200	FHM629
FBM4201	FHM630
FBM4203	FHM1244
FBM4204	FHM1079
FBM4205	FHM1241
FBM4209	FHM1245
FBM4217	FHM1230
FBM4247	FHM1256
FBM4249	FHM606
FBM4250	FHM1040
FBM4255	FHM543
FBM4256	FHM556
FBM4257	FHM558
FBM4258	FHM557
FBM4259	FHM560
FBM4260	FHM541
FBM4262	FHM555
FBM4263	FHM1261
FBM4264	FHM537
FBM4269	FHM567
FBM4272	FHM569
FBM4273	FHM568
FBM4274	FHM571
FBM4275	FHM1119
FBM4276	FHM1076
FBM4277	FHM1004
FBM4279	FHM500
FBM4280	FHM501
FBM4281	FHM1002
FBM4282	FHM1101
FBM4288	FHM576
FBM4290	FHM1259
FBM4296	FHM585
FBM4298	FHM1264
FBM4299	FHM1014
FBM4300	FHM504
FBM4302	FHM1260
FBM4307	FHM1257
FBM4308	FHM612
FBM4310	FHM607
FBM4311	FHM1133
FBM4316	FHM1107
FBM4326	FHM1155
FBM4360	FHM508
FBM4361	FHM503
FBM4430	FHM1250
FBM4453	FHM627
FBM4541	FHM683
FBM4542	FHM684
FBM4551	FHM1077
FBM4552	FHM668
FBM4553	FHM1035
FBM4557	FHC5098

...FIRSTLINE

FERODO

FBM4561	FHM509
FBM4567	FHM1170
FBM4569	FHM1126
FBM4571	FHM636
FBM4572	FHM608
FBM4573	FHM1134
FBM4575	FHM534
FBM4576	FHM1009
FBM4578	FHM1085
FBM4581	FHM657
FBM4582	FHM658
FBM4583	FHM662
FBM4585	FHM677
FBM4586	FHM679
FBM4588	FHM570
FBM4590	FHM1030
FBM4591	FHM631
FBM4592	FHM649
FBM4594	FHM1047
FBM4595	FHM1121
FBM4596	FHM634
FBM4597	FHM635
FBM4599	FHM637
FBM4600	FHM1169
FBM4601	FHM622
FBM4602	FHM623
FBM4603	FHM620
FBM4604	FHM507
FBM4609	FHM1174
FBM4610	FHM1046
FBM4613	FHM1212
FBM4614	FHM1181
FBM4618	FHM1183
FBM4620	FHM1061
FBM4621	FHM681
FBM4622	FHM671
FBM4623	FHM673
FBM4624	FHM672
FBM4625	FHM670
FBM4626	FHM1027
FBM4627	FHM698
FBM4629	FHM820
FBM4630	FHM1152
FBM4631	FHM692
FBM4632	FHM1154
FBM4634	FHM1153
FBM4638	FHM1252
FBM4639	FHM1041
FBM46396	FHM1057
FBM46406	FHM1057
FBM4641	FHM659
FBM4650	FHM1157
FBM4651	FHM1156
FBM4652	FHM1251
FBM4653	FHM1146
FBM4657	FHM690
FBW1001	FHW168
FBW1002	FHW169

...FIRSTLINE

FERODO

FBW1005	FHW183
FBW1006	FHW184
FBW1007	FHW4167
FBW1008	FHW051
FBW1009	FHW140
FBW1010	FHW055
FBW1011	FHW4143
FBW1012	FHW4132
FBW1019	FHW162
FBW1020	FHW171
FBW1021	FHW128
FBW1022	FHW011
FBW1023	FHW124
FBW1024	FHW053
FBW1025	FHW150
FBW1026	FHW149
FBW1027	FHW052
FBW1028	FHW120
FBW1029	FHW123
FBW1030	FHW062
FBW1031	FHW063
FBW1032	FHW213
FBW1033	FHW4142
FBW1034	FHW4044
FBW1035	FHW201
FBW1036	FHW202
FBW1037	FHW043
FBW1038	FHW044
FBW1039	FHW082
FBW1040	FHW083
FBW1043	FHW224
FBW1044	FHW325
FBW1045	FHW152
FBW1046	FHW038
FBW1047	FHW4016
FBW1048	FHW4157
FBW1049	FHW155
FBW1050	FHW007
FBW1051	FHW409
FBW1052	FHW156
FBW1053	FHW023
FBW1054	FHW042
FBW1056	FHW4009
FBW1057	FHW4010
FBW1058	FHW4014
FBW1059	FHW4058
FBW1060	FHW4133
FBW1061	FHW4064
FBW1062	FHW309
FBW1063	FHW008
FBW1065	FHW4083
FBW1066	FHW4299
FBW1067	FHW4002
FBW1068	FHW4122
FBW1069	FHW161
FBW1073	FHW4194
FBW1074	FHW158
FBW1075	FHW4126

COMPETITOR INTERCHANGE

...FIRSTLINE

FERODO

FBW1076	FHW4151
FBW1077	FHW4274
FBW1078	FHW4273
FBW1081	FHW4094
FBW1082	FHW4102
FBW1083	FHW4060
FBW1084	FHW4090
FBW1085	FHW4116
FBW1086	FHW4168
FBW1087	FHW4156
FBW1088	FHW4206
FBW1089	FHW4306
FBW1090	FHW4056
FBW1091	FHW4046
FBW1092	FHW4140
FBW1093	FHW338
FBW1095	FHW4348
FBW1096	FHW335
FBW1097	FHW135
FBW1098	FHW337
FBW1099	FHW027
FBW1100	FHW093
FBW1101	FHW026
FBW1102	FHW4272
FBW1103	FHW4228
FBW1107	FHW4207
FBW1110	FHW4129
FBW1111	FHW153
FBW1112	FHW034
FBW1113	FHW019
FBW1114	FHW104
FBW1115	FHW185
FBW1116	FHW101
FBW1117	FHW192
FBW1118	FHW191
FBW1119	FHW106
FBW1126	FHW4201
FBW1127	FHW4011
FBW1128	FHW195
FBW1129	FHW203
FBW1133	FHW182
FBW1134	FHW181
FBW1135	FHW4321
FBW1136	FHW4322
FBW1137	FHW327
FBW1138	FHW328
FBW1140	FHW4218
FBW1144	FHW4220
FBW1145	FHW4219
FBW1154	FHW4285
FBW1157	FHW4256
FBW1160	FHW4242
FBW1161	FHW4260
FBW1162	FHW207
FBW1163	FHW077
FBW1168	FHW4211
FBW1169	FHW4351
FBW1170	FHW4173

...FIRSTLINE

FERODO

FBW1171	FHW4248
FBW1172	FHW4249
FBW1173	FHW4250
FBW1174	FHW4198
FBW1175	FHW4367
FBW1179	FHW4005
FBW1180	FHW4319
FBW1181	FHW4318
FBW1182	FHW4130
FBW1183	FHW4144
FBW1184	FHW4164
FBW1185	FHW4170
FBW1186	FHW4163
FBW1190	FHW4195
FBW1193	FHW4024
FBW1194	FHW4184
FBW1195	FHW4288
FBW1196	FHW4081
FBW1204	FHW4174
FBW1218	FHW4077
FBW1219	FHW4267
FBW1221	FHW4178
FBW1222	FHW4190
FBW1223	FHW4109
FBW1235	FHW190
FBW1236	FHW4224
FBW1239	FHW4293
FBW1242	FHW4068
FBW1243	FHW4092
FBW1249	FHW4217
FBW1254	FHW4239
FBW1255	FHW4134
FBW1256	FHW196
FBW1257	FHW197
FBW1262	FHW099
FBW1263	FHW4340
FBW1265	FHW004
FBW1266	FHW010
FBW1267	FHW005
FBW1268	FHW133
FBW1269	FHW015
FBW1270	FHW016
FBW1271	FHW4352
FBW1272	FHW4147
FBW1273	FHW098
FBW1274	FHW116
FBW1275	FHW117
FBW1276	FHW054
FBW1278	FHW4339
FBW1280	FHW4313
FBW1281	FHW4314
FBW1282	FHW4303
FBW1284	FHW4301
FBW1285	FHW4302
FBW1286	FHW4253
FBW1287	FHW4296
FBW1288	FHW4191
FBW1289	FHW4229

...FIRSTLINE

FERODO

FBW1291	FHW4345
FBW1292	FHW4346
FBW1293	FHW4347
FBW1295	FHW035
FBW1297	FHW4150
FBW1298	FHW021
FBW1299	FHW095
FBW1300	FHW013
FBW1301	FHW131
FBW1302	FHW147
FBW1303	FHW318
FBW1304	FHW002
FBW1307	FHW312
FBW1311	FHW122
FBW1312	FHW113
FBW1313	FHW017
FBW1314	FHW018
FBW1315	FHW4057
FBW1316	FHW4069
FBW1317	FHW4097
FBW1318	FHW317
FBW1319	FHW4327
FBW1322	FHW187
FBW1327	FHW4197
FBW1328	FHW4254
FBW1329	FHW336
FBW1330	FHW121
FBW1332	FHW058
FBW1333	FHW091
FBW1334	FHW092
FBW1351	FHW159
FBW1352	FHW4061
FBW1353	FHW4244
FBW1361	FHW4237
FBW1362	FHW4372
FBW1377	FHW4086
FBW1378	FHW200
FBW1385	FHW4182
FBW1386	FHW4209
FBW1389	FHW4326
FBW1390	FHW4328
FBW1391	FHW4149
FBW1392	FHW4221
FBW1397	FHW4188
FBW1398	FHW4187
FBW1399	FHW4366
FBW1400	FHW4159
FBW1405	FHW4131
FBW1406	FHW4153
FBW1409	FHW198
FBW1410	FHW199
FBW1411	FHW4203
FBW1413	FHW4238
FBW1422	FHW4316
FBW1423	FHW4317
FBW1427	FHW313
FBW1428	FHW177
FBW1429	FHW176

...FIRSTLINE

FERODO

FBW1430	FHW4287
FBW1436	FHW4325
FBW1437	FHW4177
FBW1438	FHW4320
FBW1439	FHW4189
FBW1440	FHW4246
FBW1441	FHW4286
FBW1443	FHW4148
FBW1450	FHW170
FBW1452	FHW134
FBW1453	FHW4022
FBW1455	FHW030
FBW1456	FHW100
FBW1457	FHW4208
FBW1458	FHW105
FBW1460	FHW220
FBW1461	FHW219
FBW1462	FHW059
FBW1463	FHW4049
FBW1464	FHW216
FBW1465	FHW4013
FBW1466	FHW4039
FBW1467	FHW215
FBW1468	FHW056
FBW1469	FHW039
FBW1470	FHW040
FBW1471	FHW064
FBW1472	FHW065
FBW1473	FHW072
FBW1474	FHW073
FBW1475	FHW045
FBW1476	FHW046
FBW1477	FHW047
FBW1478	FHW048
FBW1479	FHW037
FBW1480	FHW036
FBW1481	FHW319
FBW1483	FHW129
FBW1486	FHW025
FBW1487	FHW041
FBW1489	FHW4139
FBW1490	FHW146
FBW1491	FHW107
FBW1493	FHW346
FBW1494	FHW347
FBW1495	FHW068
FBW1496	FHW069
FBW1499	FHW4204
FBW1502	FHW4305
FBW1503	FHW228
FBW1504	FHW4266
FBW1505	FHW4333
FBW1506	FHW4245
FBW1507	FHW188
FBW1509	FHW427
FBW1510	FHW431
FBW1511	FHW145
FBW1512	FHW4210

COMPETITOR INTERCHANGE

...FIRSTLINE

FERODO

FBW1514	FHW4029
FBW1515	FHW4043
FBW1516	FHW103
FBW1518	FHW102
FBW1519	FHW086
FBW1520	FHW087
FBW1521	FHW090
FBW1523	FHW088
FBW1526	FHW138
FBW1527	FHW139
FBW1528	FHW089
FBW1529	FHW074
FBW1533	FHW4310
FBW1534	FHW4225
FBW1539	FHW4309
FBW1540	FHW4350
FBW1541	FHW160
FBW1544	FHW4110
FBW1545	FHW4257
FBW1546	FHW4349
FBW1547	FHW4294
FBW1548	FHW4222
FBW1551	FHW4171
FBW1552	FHW4226
FBW1553	FHW4344
FBW1554	FHW4300
FBW1555	FHW4297
FBW1556	FHW4298
FBW1558	FHW4307
FBW1559	FHW4308
FBW1561	FHW329
FBW1562	FHW330
FBW1563	FHW4271
FBW1564	FHW4269
FBW1565	FHW331
FBW1566	FHW4355
FBW1578	FHW4124
FBW1588	FHW4098
FBW1589	FHW4003
FBW1590	FHW4200
FBW1598	FHW4138
FBW1600	FHW4324
FBW1601	FHW4031
FBW1603	FHW057
FBW1604	FHW130
FBW1605	FHW4295
FBW1610	FHW003
FBW1610	FHW4176
FBW1611	FHW075
FBW1612	FHW076
FBW1613	FHW4241
FBW1617	FHW210
FBW1618	FHW209
FBW1619	FHW225
FBW1620	FHW094
FBW1621	FHW301
FBW1622	FHW226
FBW1623	FHW227
FBW1625	FHW307
FBW1626	FHW214
FBW1628	FHW4087
FBW1630	FHW4004

...FIRSTLINE

FERODO

FBW1632	FHW4033
FBW1633	FHW429
FBW1636	FHW211
FBW1637	FHW4192
FBW1638	FHW4175
FBW1642	FHW194
FBW1648	FHW084
FBW1649	FHW085
FBW1650	FHW405
FBW1653	FHW4368
FBW1654	FHW4369
FBW1659	FHW217
FBW1660	FHW223
FBW1661	FHW218
FBW1662	FHW4161
FBW1664	FHW193
FBW1665	FHW4079
FBW1666	FHW334
FBW1667	FHW333
FBW1668	FHW244
FBW1669	FHW233
FBW1670	FHW235
FBW1671	FHW4041
FBW1673	FHW236
FBW1674	FHW4365
FBW1675	FHW208
FBW1676	FHW4227
FBW1678	FHW222
FBW1679	FHW4146
FBW1680	FHW4028
FBW1681	FHW231
FBW1682	FHW232
FBW1683	FHW237
FBW1684	FHW238
FBW1685	FHW4258
FBW1686	FHW4047
FBW1690	FHW229
FBW1693	FHW4212
FBW1694	FHW4252
FBW1697	FHW4111
FBW1698	FHW4106
FBW1699	FHW4123
FBW1701	FHW4112
FBW1702	FHW4155
FBW1703	FHW302
FBW1710	FHW4018
FBW1711	FHW4084
FBW1712	FHW4080
FBW1713	FHW4128
FBW1714	FHW4145
FBW1721	FHW304
FBW1722	FHW305
FBW1724	FHW358
FBW1725	FHW4055
FBW1728	FHW321
FBW1731	FHW4023
FBW1738	FHW419
FBW1739	FHW4179
FBW1740	FHW4180

FTE

FERODO

FH190111	FHM1026
FH190610	FHM1018
FH190711	FHM1018
FH190911	FHM1003
FH190912	FHM1022
FH199011	FHM1023
FH1990111	FHM1034
FH1990201	FHM1136
FH1990203	FHM1136
FH1990204	FHM1034
FH1990301	FHM1089
FH1990303	FHM1089
FH19904002	FHM1032
FH1990401	FHM1138
FH1990402	FHM1289
FH1990403	FHM1179
FH1990413	FHM1179
FH1990511	FHM1031
FH1990513	FHM1023
FH1990514	FHM1187
FH1990611	FHM1290
FH1990701	FHM1034
FH1990703	FHM1186
FH1990911	FHM1290
FH1998711	FHM1029
FR1540A1	FHW4014
FR1540B1	FHW4014
FR1540C1	FHW155
FR1740A1	FHW409
FR1940C1	FHW152
FR1940D1	FHW152
FR1940E1	FHW4064
FR1940F1	FHW4001
FR2240C1	FHW4059
FR2240D1	FHW4000
FR2243B1	FHW4016
FR2243C1	FHW4035
FR2340B1	FHW4010
FR2340C1	FHW4009
FR2840F1	FHW4058
H1585401	FHM500
H1585402	FHM500
H1585501	FHM501
H1585502	FHM501
H1770850	FHM1044
H1785401	FHM503
H1785801	FHM686
H1791692	FHM1260
H17919101	FHM1260
H1791991	FHM1260
H1792092	FHM504
H1792701	FHM639
H1908501	FHM1013
H1908600	FHM1021
H1966401	FHM519
H1971590	FHM515
H1975500	FHM1184
H1975601	FHM1092

...FTE

FERODO

H1976000	FHM1168
H1976600	FHM1173
H1977200	FHM1013
H1978100	FHM1021
H1986401	FHM507
H1986501	FHM508
H1986801	FHM509
H1986901	FHM1263
H1987501	FHM1114
H1987701	FHM608
H1987801	FHM681
H1987901	FHM1287
H1988201	FHM1234
H19928101	FHM1015
H1992811	FHM1015
H1992892	FHM1015
H1992911	FHM515
H1992992	FHM515
H1994402	FHM530
H1994501	FHM519
H1995202	FHM527
H1995501	FHM528
H1996001	FHM1262
H1996401	FHM519
H1996601	FHM1025
H1997001	FHM1192
H1997002	FHM522
H1997402	FHM524
H1997501	FHM525
H1997502	FHM526
H1997601	FHM527
H1997701	FHM528
H1997803	FHM530
H1997804	FHM530
H1998101	FHM1262
H1998501	FHM1124
H1998502	FHM1124
H1998601	FHM534
H1998611	FHM1009
H1998711	FHM1029
H1998712	FHM536
H1998901	FHM534
H1999101	FHM655
H2079100	FHM1189
H2086501	FHM1061
H20900201	FHM1230
H20900301	FHM537
H20900701	FHM541
H20900801	FHM543
H20901001	FHM1012
H20901201	FHM1182
H20902101	FHM1264
H20902301	FHM554
H20902501	FHM555
H20902601	FHM556
H20902701	FHM557
H20902801	FHM558
H20903101	FHM1261

COMPETITOR INTERCHANGE

...FTE		FERODO		...FTE		FERODO		...FTE		FERODO	
H20903201	FHM560	H2294302	FHM818	H2399201	FHM1278	KG1907513	FHC5073				
H20903401	FHM561	H2294701	FHM602	H2399701	FHM1127	KG1907813	FHC5073				
H20903501	FHM1264	H2294702	FHM1117	H2399801	FHM1074	KG1907814	FHC5073				
H20903901	FHM567	H2294802	FHM1002	H2579283	FHM1010	KG1908415	FHC5011				
H20904001	FHM568	H2294805	FHM1002	H25911301	FHM617	KG1909714	FHC5003				
H20904101	FHM569	H2294808	FHM666	H2591201	FHM616	KG19700111	FHC5021				
H20904203	FHM1014	H2294901	FHM1016	H2591301	FHM617	KG19700301	FHC5006				
H20904206	FHM570	H2295401	FHM1220	H2591501	FHM1107	KG1973102	FHC5070				
H20904207	FHM625	H2295500	FHM1119	H2591701	FHM1200	KG1977301	FHC5084				
H20904301	FHM571	H2295501	FHM1119	H2592101	FHM1035	KG21979911	FHC5054				
H20904302	FHM571	H2295601	FHM606	H2592101	FHM668	KG2302111	FHC5035				
H20904401	FHM1076	H2295701	FHM607	H2592201	FHM689	KG2302113	FHC5035				
H20904501	FHM1265	H2295901	FHM682	H2592401	FHM698	KG239513	FHC5010				
H20904601	FHM1004	H2296101	FHM1201	H2593401	FHM1043	KG239517	FHC5010				
H20904701	FHM574	H2296201	FHM649	H2593601	FHM1143	KG2397119	FHC5108				
H20905001	FHM1000	H2296301	FHM1121	H2593701	FHM1129	KG239717	FHC5108				
H20905401	FHM1081	H2296401	FHM1233	H2594001	FHM689	KG25000911	FHC5027				
H20905601	FHM627	H2296501	FHM1126	H2594281	FHM1123	KG310601	FHC5018				
H20905701	FHM623	H2296601	FHM1170	H2594481	FHM1113	KN19013A1	FHC6096				
H20905801	FHM620	H2296701	FHM695	H2594581	FHM1235	KN19022A1	FHC6064				
H20906201	FHM629	H2296801	FHM694	H3172800	FHM1056	KN1903041	FHC6033				
H20906301	FHM1067	H2296901	FHM1157	KG1501803	FHC5050	KN19030A1	FHC6033				
H20907001	FHM1115	H2297001	FHM1040	KG1501804	FHC5058	KN1909C1	FHC6033				
H20907101	FHM1223	H2297201	FHM1165	KG1502104	FHC5097	KN20012B1	FHC6010				
H20907601	FHM1082	H2297301	FHM1280	KG1503201	FHC5050	KN20012C1	FHC6010				
H20908001	FHM1224	H2297501	FHM624	KG1503202	FHC5058	KN2095A1	FHC6007				
H20928101	FHM1257	H2297601	FHM1161	KG1503701	FHC5058	KN2096A1	FHC6007				
H2092891	FHM1257	H2297701	FHM1042	KG170711	FHC5090	KN2097A1	FHC6007				
H20938121	FHM1006	H2297801	FHM1078	KG170801	FHC5082	KN2097B1	FHC6007				
H2093851	FHM576	H2298301	FHM1269	KG1900017	FHC5026	KN22026A1	FHC6063				
H2093853	FHM1006	H2299201	FHM596	KG19000417	FHC5026	KN22031B1	FHC6046				
H20939121	FHM1259	H2385201	FHM1007	KG19000711	FHC5017	KN2203C1	FHC6017				
H2093953	FHM576	H2385201	FHM608	KG19001012	FHC5011	KN22041A1	FHC6016				
H2094400	FHM596	H23900381	FHM1285	KG19001111	FHC5019	KN22045B1	FHC6006				
H2094651	FHM576	H23900481	FHM1286	KG19001113	FHC5019	KN2205031	FHC6011				
H2095103	FHM578	H23900881	FHM1019	KG19001301	FHC5031	KN22050A1	FHC6011				
H2095105	FHM578	H23901401	FHM1221	KG19001311	FHC5031	KN22050C1	FHC6011				
H2095604	FHM1270	H2393151	FHM1087	KG19001901	FHC5068	KN22056D1	FHC6045				
H2095701	FHM581	H23932121	FHM1101	KG19002201	FHC5003	KN2206231	FHC6054				
H2095702	FHM581	H2394401	FHM1093	KG19002202	FHC5063	KN22062C1	FHC6054				
H2096802	FHM585	H2394501	FHM612	KG19002811	FHC5000	KN22063A1	FHC6057				
H2097201	FHM582	H2395401	FHM1125	KG19002812	FHC5005	KN22066A1	FHC6076				
H2097601	FHM537	H2395801	FHM683	KG19003611	FHC5060	KN22069A1	FHC6064				
H2097901	FHM1028	H2395901	FHM684	KG19003612	FHC5022	KN23011B1	FHC6008				
H2098602	FHM585	H2396201	FHM646	KG19004301	FHC5008	KN23015A1	FHC6013				
H2098603	FHM585	H2396301	FHM1046	KG19004407	FHC5052	KN23017A1	FHC6008				
H2098605	FHM586	H2396401	FHM1047	KG19004603	FHC5096	KN23021B1	FHC6002				
H2098851	FHM1259	H2396701	FHM687	KG19005011	FHC5029	KN23021E1	FHC6002				
H2098901	FHM589	H2396801	FHM630	KG19005401	FHC5066	KN2303E1	FHC6017				
H2099102	FHM590	H2396901	FHM1005	KG19005811	FHC5028	KN2306A1	FHC6017				
H2099801	FHM592	H2397601	FHM1100	KG19006403	FHC5071	KN2309D1	FHC6017				
H2291002	FHM571	H2397601	FHM685	KG19006611	FHC5009	KN2391A1	FHC6030				
H2292901	FHM596	H2397701	FHM1207	KG19007001	FHC5025	KN2393C1	FHC6017				
H2293001	FHM1169	H2398101	FHM1276	KG19007801	FHC5053	KN2396B1	FHC6008				
H2293301	FHM1164	H2398301	FHM635	KG1904511	FHC5076	KN2398B1	FHC6013				
H2293801	FHM1030	H2398701	FHM691	KG1904611	FHC5076	KN25017A1	FHC6037				
H2293901	FHM631	H2398801	FHM1214	KG1904612	FHC5076	KN25017D1	FHC6037				
H2293902	FHM1243	H2398901	FHM1051	KG1905511	FHC5026	KN25030A1	FHC6014				

COMPETITOR INTERCHANGE

...FTE		FERODO		...FTE		FERODO		...FTE		FERODO	
KN25039A1	FHC6003	R17021A1	FHW016	R19061A1	FHW042	R20032A1	FHW347				
KN25040A1	FHC6024	R17022A1	FHW017	R19062A1	FHW043	R20033A1	FHW068				
KN28010A1	FHC6018	R17023A1	FHW018	R19063A1	FHW044	R20034A1	FHW069				
KN28012A1	FHC6025	R17024A1	FHW4139	R19064A1	FHW045	R20034B1	FHW069				
KN28016A1	FHC6023	R17024B1	FHW4139	R19065A1	FHW046	R20035A1	FHW4029				
KN28016B1	FHC6023	R17025A1	FHW019	R19066A1	FHW047	R20036A1	FHW4043				
KN28030A1	FHC6109	R17027B1	FHW4305	R19067A1	FHW048	R20037A1	FHW072				
KN38014A1	FHC6020	R17028B1	FHW021	R19068A1	FHW202	R20038A1	FHW073				
KN3805C1	FHC6032	R17028C1	FHC5046	R19069A1	FHW336	R20039A1	FHW089				
KN3805D1	FHC6032	R17029A1	FHW429	R19070A1	FHW214	R20040A1	FHW074				
KN3805J1	FHC6032	R17030A1	FHW192	R19071A1	FHW178	R20040B1	FHW089				
KN3809K1	FHC6027	R17031A1	FHW023	R19072A1	FHW179	R20041A1	FHW075				
MH1793201	FHM1008	R17032A1	FHW156	R19073A1	FHW191	R20041B1	FHW091				
MR1603A1	FHW171	R17034A1	FHW4079	R19074A1	FHW211	R20042A1	FHW076				
MR17015B1	FHW4265	R17036A1	FHW354	R19075A1	FHW215	R20043A1	FHW4004				
R14011B1	FHW002	R17045B1	FHW411	R19079A1	FHW030	R20044A1	FHW077				
R14011C1	FHW002	R17046B1	FHW412	R19082A1	FHW421	R20045A1	FHW196				
R14011D1	FHW002	R17107A1	FHW4348	R19083A1	FHW306	R20046A1	FHW197				
R14012B1	FHW003	R1791C1	FHW4078	R19087A1	FHW307	R20047A1	FHW198				
R14013A1	FHW4099	R1791D1	FHW4041	R19089A1	FHW357	R20048A1	FHW199				
R1408B1	FHW004	R1791J1	FHW4041	R1908E1	FHW4063	R20049A1	FHW082				
R1408C1	FHW004	R1795A1	FHW4013	R1908F1	FHW4062	R20049B1	FHW082				
R1408G1	FHW004	R1796A1	FHW4312	R19111B1	FHW4345	R20050A1	FHW083				
R1408J1	FHW004	R19016A1	FHW025	R19112B1	FHW4346	R20050B1	FHW083				
R15013A1	FHW005	R19019A1	FHW025	R19112C1	FHW4346	R20051A1	FHW4003				
R15013B1	FHW005	R19025A1	FHW4216	R19114A1	FHW4347	R20051B1	FHW4003				
R15013F1	FHW005	R19028B1	FHW4122	R19115A1	FHW4201	R20052A	FHW219				
R15013G1	FHW005	R19030A1	FHW4142	R1998A1	FHW051	R20052A1	FHW219				
R15016A1	FHW4005	R19031A1	FHW027	R200001A1	FHW410	R20053A	FHW220				
R15016B1	FHW4005	R19031E1	FHW026	R200004A1	FHW222	R20053A1	FHW220				
R15017A1	FHW4344	R19031F1	FHW027	R200005A1	FHW302	R20054A1	FHW084				
R15017B1	FHW4344	R19033A1	FHW318	R200006A1	FHW348	R20055A1	FHW085				
R15025A1	FHW007	R19033C1	FHW318	R200007A1	FHW349	R20056A1	FHW086				
R15026A1	FHW4033	R19033D1	FHW318	R20010A1	FHW052	R20056B1	FHW086				
R15027A1	FHW008	R19033E1	FHW318	R20011A1	FHW053	R20057A1	FHW087				
R15029A1	FHW104	R19035A1	FHW319	R20011B1	FHW053	R20057B1	FHW087				
R1590A1	FHW4183	R19035B1	FHW319	R20013A1	FHW054	R20058A1	FHW090				
R1593A1	FHW4097	R19035D1	FHW4295	R20014A1	FHW170	R20058B1	FHW084				
R1595B1	FHW317	R19038C1	FHW030	R20015A1	FHW4083	R20059A1	FHW088				
R1598A1	FHW4204	R19041A1	FHW4047	R20015B1	FHW4083	R20059B1	FHW085				
R1599A1	FHW317	R19043B1	FHW4140	R20016A1	FHW055	R20060A1	FHW091				
R1599C1	FHW317	R19045C1	FHW4150	R20018A1	FHW153	R20061A1	FHW092				
R17010A1	FHW337	R19045D1	FHW4150	R20019A1	FHW4060	R20062A1	FHW195				
R17010D1	FHW337	R19049171	FHW034	R20020A1	FHW056	R20063A1	FHW335				
R17010F1	FHW4272	R19049A1	FHW034	R20021A1	FHW057	R20064A1	FHW094				
R17011B1	FHW010	R19050A1	FHW035	R20022A1	FHW058	R20065A1	FHW301				
R17011C1	FHW010	R19051A1	FHW036	R20024B1	FHW059	R20066A1	FHW4056				
R17011H1	FHW010	R19051B1	FHW036	R20025A1	FHW4057	R20067A1	FHW217				
R17011K1	FHW010	R19052A1	FHW037	R20026A1	FHW4069	R20068A1	FHW4132				
R17014A1	FHW4051	R19052B1	FHW037	R20027A1	FHW062	R20069A1	FHW4143				
R17015A1	FHW011	R19053A1	FHW4209	R20027B1	FHW062	R20070A1	FHW209				
R17016B1	FHW4272	R19054A1	FHW038	R20028A1	FHW063	R20071A1	FHW210				
R17017A1	FHW4348	R19055B1	FHW228	R20028B1	FHW063	R20072A1	FHW334				
R17018B1	FHW013	R19056A1	FHW039	R20029A1	FHW064	R20073A1	FHW236				
R17018C1	FHW013	R19056B1	FHW039	R20029B1	FHW064	R20074A1	FHW188				
R17018D1	FHW013	R19057A1	FHW040	R20030A1	FHW065	R20075A1	FHW187				
R17019B1	FHW4207	R19059B1	FHW041	R20030B1	FHW065	R2092A1	FHW095				
R17020A1	FHW015	R19060A1	FHW339	R20031A1	FHW346	R2093A1	FHW093				

COMPETITOR INTERCHANGE

...FTE		FERODO		...FTE		FERODO		HP		FERODO		...HP		FERODO	
R2093B1	FHW4228	R22083A1	FHW133	101963	FHW4013	300570	FHW194								
R2093D1	FHW4228	R22084A1	FHW134	102370	FHW4022	300654	FHW4023								
R2093E1	FHW093	R22085D1	FHW338	102633	FHM1006	302013	FHW418								
R2093G1	FHW093	R22085E1	FHW338	102634	FHW004	302031	FHM1078								
R2097A1	FHW098	R22086A1	FHW105	103065	FHW4033	302032	FHM1042								
R2098A1	FHW099	R22094A1	FHW138	103066	FHW4099	302035	FHM1108								
R2098B1	FHW099	R22095A1	FHW139	103146	FHC5028	302142	FHW4038								
R2099B1	FHW100	R22096A1	FHW140	103231	FHW216	302144	FHW4042								
R220001A1	FHW101	R22096C1	FHW140	103294	FHC6014	400710	FHM503								
R220002A1	FHW103	R22098A1	FHW4210	103297	FHC5017	400711	FHM508								
R220003A1	FHW102	R22099A1	FHW4197	103357	FHW4031	400712	FHM509								
R220004A1	FHW4011	R22123B1	FHW4126	103533	FHC6002	400747	FHC5003								
R220005A1	FHW321	R22124B1	FHW4151	103535	FHC5008	400748	FHC5026								
R220006A1	FHW105	R2293A1	FHW4101	103602	FHC5025	400751	FHC6008								
R220007A1	FHW194	R2293E1	FHW4101	103760	FHC6006	400752	FHC6013								
R220008A1	FHW4129	R2293F1	FHW4022	103761	FHC5005	400758	FHW354								
R220009A1	FHW4306	R23012A1	FHW158	104119	FHW4003	400993	FHM1234								
R220010A1	FHW4206	R23021B1	FHW145	104229	FHM504	500501	FHW193								
R220011A1	FHW223	R23024A1	FHW146	104230	FHW030	500502	FHW140								
R220012A1	FHW212	R23025A1	FHW147	104349	FHM607	500505	FHW321								
R220013A1	FHW106	R23027A1	FHW4102	104353	FHC5000	500507	FHC6010								
R220014A1	FHW4160	R23028A1	FHW4094	107360	FHW4039	500508	FHC6011								
R220015A1	FHW4292	R23029A1	FHW216	108334	FHM683	500509	FHC5011								
R220016A1	FHW094	R23031A1	FHW193	108335	FHM684	500510	FHC5019								
R220017A1	FHW225	R23033A1	FHW4156	108389	FHC6033	500511	FHM1107								
R220019A1	FHW333	R23034A1	FHW4168	108655	FHW4202	500858	FHC5060								
R22001A1	FHW4278	R2305A1	FHW4049	110042	FHM1050	500859	FHC5022								
R220020A1	FHW226	R2306A1	FHW147	110637	FHM1088	501199	FHM1061								
R220025A1	FHW323	R2307A1	FHW146	110637	FHM1120	501201	FHM1143								
R22002881	FHW402	R2393A1	FHW4049	110640	FHW307	501203	FHM1097								
R22002981	FHW401	R23968B1	FHW216	200892	FHW318	720977	FHW064								
R22013A1	FHW106	R2396A1	FHW216	200893	FHW4139	720978	FHW065								
R22030B1	FHW4104	R2396B1	FHW216	200894	FHW4150	720981	FHW091								
R2203H1	FHW4015	R250039B1	FHW200	200895	FHW002	720982	FHW092								
R22040A1	FHW4254	R25017A1	FHW4037	200896	FHW013	720985	FHW237								
R22042A1	FHW107	R25028A1	FHW4181	200897	FHW228	720986	FHW238								
R22042B1	FHW107	R2502H1	FHW4012	200898	FHW003	720987	FHW231								
R22044B1	FHW4245	R25034A1	FHW4031	200899	FHW021	720988	FHW232								
R22053A1	FHW4333	R25034B1	FHW4039	200900	FHW041	720989	FHW406								
R22054A1	FHW4266	R25038A1	FHW148	200905	FHM567	720990	FHW407								
R22060A1	FHW113	R25039A1	FHW149	200906	FHM571	720993	FHW233								
R22061A1	FHW4340	R25039B1	FHW200	205510	FHW421	720994	FHW244								
R22063A1	FHW116	R2503A4	FHW4012	205511	FHW410	720995	FHW235								
R22064A1	FHW117	R25044A1	FHW4021	205516	FHM1126	720998	FHW236								
R22067A1	FHW120	R25046A1	FHW4116	206110	FHM1019	721000	FHW214								
R22068A1	FHW121	R25047A1	FHW4090	300022	FHW335	721002	FHW4108								
R22069A1	FHW122	R25048A1	FHW218	300023	FHW338	721019	FHW202								
R22070A1	FHW123	R26010B1	FHW4202	300024	FHW337	721051	FHM586								
R22071B1	FHW133	R2701A1	FHW213	300025	FHW336										
R22072B1	FHW134	R28013H1	FHW4103	300034	FHM691										
R22073A1	FHW124	R28023A1	FHW4044	300320	FHM1030										
R22073B1	FHW124	R28023B1	FHW4044	300386	FHW101										
R22075A1	FHW4339	R28024B1	FHW150	300407	FHM574										
R22078A1	FHW128	R30102A1	FHW4208	300446	FHW192										
R22078B1	FHW128	R30102B1	FHW4208	300447	FHW191										
R22079A1	FHW129	R3803A2	FHW4217	300448	FHW106										
R2207L1	FHW4091	R45048A1	FHW218	300568	FHW195										
R22080A1	FHW130	S5136	FHM1184	300569	FHW4011										
R22081A1	FHW131	S5178	FHM1168												
R22081B1	FHW131	S5311	FHM608												
R22082A1	FHW128	S5404	FHM501												

COMPETITOR INTERCHANGE

HYDRADRIIVE

FERODO

558040	FHM558
94474122.00	FHC6161
211-611-047F	FHW4063
30.158.0023	FHC5151
30.158.0043	FHC5149
30.158.0046	FHC5086
30.158.0047/42/ 159.0052	FHC5100
30.158.0048	FHC5103
30.158.0050	FHC5148
30.158.0057	FHC5104
30.158.0060	FHC5105
30.158.0075/53	FHC5099
30.159.0057	FHC5152
30.159.0064	FHC5106
30.159.0086	FHC5107
30.175.0011	FHM1044
30.190.0056	FHM1032
30.190.0067	FHC5073
30.190.0072	FHC5026
30.190.0073	FHC5003
30.190.0074	FHC5043
30.190.0105	FHC5004
30.190.0128	FHC5017
30.190.0135	FHC5011
30.190.0146	FHC5022
30.206.0009	FHM576
30.206.0012	FHM1263
30.206.0014	FHM567
30.206.0015	FHM556
30.206.0028	FHM1185
30.206.0029	FHM578
30.206.0045	FHM1408
30.206.0046	FHM1167
30.206.0075	FHM1036
30.206.0077	FHM585
30.206.0100	FHM1154
30.206.0102	FHM570
30.206.0111	FHM1000
30.222.0038	FHM1407
30.222.0041	FHM1255
30.222.0047	FHM1176
30.222.0089	FHM686
30.222.0091	FHM1002
30.222.0092	FHM1403
30.222.0093	FHM1409
30.222.0112	FHM606
30.222.0116	FHM1085
30.238.0000	FHM1007
30.238.0006	FHM1101
30.238.0030	FHM1254
30.238.0031	FHM1253
30.238.0037	FHM1250
30.238.0041	FHM612
30.238.0074	FHM681
31.190.0004	FHC6083
31.190.0012	FHC6160
31.190.0013	FHC6082

...HYDRADRIIVE

FERODO

31.190.0023	FHC6159
31.190.0029	FHC6097
31.190.0032	FHC6112
31.190.0047	FHC6044
31.190.0053	FHC6053
31.190.0054	FHC6061
31.206.0001	FHC6007
31.206.0007	FHC6081
31.206.0013	FHC6071
31.206.0015/25/45	FHC6055
31.206.0016/17/19	FHC6073
31.206.0023	FHC6048
31.206.0027	FHC6091
31.206.0028	FHC6110
31.206.0029	FHC6010
31.206.0036	FHC6162
31.206.007/14	FHC6080
31.222.0003	FHC6034
31.222.0029	FHC6077
31.222.0034	FHC6011
31.222.0049	FHC6090
31.230.0000	FHC6017
31.230.0001	FHC6008
31.238.0003	FHC6013
31.254.0006/18	FHC6001
31.254.0008	FHC6014
31.254.0021	FHC6009
31.254.0024	FHC6000
31470-32022	FHC6066
32.143.0000	FHW004
32.143.0001	FHW4540
32.159.0010	FHW208
32.159.0014	FHW4564
32.174.0001	FHW4549
32.174.0003	FHW013
32.175.0000	FHW010
32.175.0003	FHW021
32.175.0005	FHW4013
32.175.0015	FHW169
32.175.0016	FHW168
32.175.0036	FHW429
32.175.0041	FHW4092
32.178.0002	FHW4348
32.178.0003/12	FHW337
32.178.0004	FHW4272
32.178.0005	FHW4081
32.178.0006	FHW4291
32.178.0007	FHW4290
32.178.0010	FHW4568
32.178.0011	FHW4569
32.190.0006	FHW4347
32.190.0009/23/24	FHW027
32.190.0012	FHW051
32.190.0016	FHW4324
32.190.0047	FHW161
32.190.0050	FHW038
32.190.0052	FHW4062
32.190.0053	FHW4316

...HYDRADRIIVE

FERODO

32.190.0055	FHW4177
32.190.0056	FHW041
32.190.0057	FHW4554
32.190.0068	FHW4128
32.190.0069	FHW4145
32.190.0113	FHW030
32.190.0116	FHW4154
32.190.0117	FHW4121
32.206.0018	FHW093
32.206.0019	FHW4228
32.206.0020	FHW4548
32.206.0021	FHW4552
32.206.0023	FHW4545
32.206.0023	FHW4077
32.206.0024	FHW4317
32.206.0029/27	FHW055
32.206.0030	FHW4144
32.206.0032	FHW4320
32.206.0033	FHW058
32.206.0049	FHW195
32.220.0009	FHW133
32.220.0010	FHW134
32.222.0005	FHW4022
32.222.0008	FHW4557
32.222.0009	FHW4558
32.222.0024	FHW116
32.222.0025	FHW117
32.222.0027	FHW140
32.222.0047/62	FHW338
32.222.0051	FHW4544
32.222.0052	FHW4148
32.222.0060	FHW4541
32.222.0061	FHW4542
32.222.0075	FHW4016
32.222.0078	FHW4553
32.222.0084	FHW4254
32.222.0099	FHW4555
32.222.0100	FHW4556
32.238.0007	FHW159
32.238.0008	FHW160
32.238.0012	FHW216
32.238.0014 W2380014	FHW4559
32.238.0033	FHW193
32.238.0034	FHW4534
32.238.0035	FHW4535
32.238.0046	FHW4243
32.238.0047	FHW4196
32.254.0018	FHW4351
32.254.0019	FHW4211
32.254.0020	FHW4565
32.254.0023	FHW4189
32.254.0024	FHW312
32.286.0000	FHW4352
32.286.0001	FHW4147
32.318.0000	FHW4173
32.318.0001	FHW4248
3A1698019	FHM1103
4084-41-920	FHC6075

...HYDRADRIIVE

FERODO

558070 / 558184	FHM541
6N0614019	FHM1140
81AB-2140BB / CB	FHM1164
8532-26-610 / 74966554	FHW4543
8532-26-610 / 74966554/ 302200005	FHM602
8-94233-500-4	FHW4560
8-94233-500-5	FHW4191

COMPETITOR INTERCHANGE

LPR	FERODO	...LPR	FERODO	...LPR	FERODO	...LPR	FERODO
0704	FHM1187	1200	FHM1173	1319	FHM1086	1541	FHM1121
1002	FHM1188	1201	FHM554	1320	FHM1064	1543	FHM1244
1100	FHM1189	1202	FHM1056	1321	FHM1069	1544	FHM1079
1103	FHM1177	1203	FHM625	1322	FHM1070	1545	FHM692
1104	FHM1092	1205	FHM526	1326	FHM1139	1546	FHM1245
1105	FHM561	1209	FHM627	1327	FHM1128	1601	FHM1246
1108	FHM1184	1211	FHM620	1331	FHM1169	1604	FHM1153
1110	FHM1168	1223	FHM582	1344	FHM1234	1608	FHM1154
1116	FHM1140	1226	FHM1021	1348	FHM1129	1611	FHM1155
1117	FHM1190	1228	FHM586	1349	FHM1097	1615	FHM1118
1118	FHM1191	1229	FHM525	1350	FHM1143	1621	FHM1247
1120	FHM1182	1234	FHM634	1361	FHM1111	1622	FHM1248
1121	FHM1025	1235	FHM635	1362	FHM1112	1648	FHM1249
1122	FHM589	1236	FHM637	1367	FHM1113	1653	FHM1250
1124	FHM519	1237	FHM622	1368	FHM1235	1681	FHM1156
1128	FHM636	1238	FHM623	1372	FHM1236	1682	FHM1157
1129	FHM1028	1240	FHM1027	1375	FHM1144	1683	FHM1251
1131	FHM528	1241	FHM1174	1376	FHM1237	1700	FHM1176
1135	FHM527	1244	FHM1212	1378	FHM1238	1701	FHM1252
1137	FHM633	1251	FHM1213	1381	FHM1145	1708	FHM1255
1142	FHM1192	1253	FHM1109	1382	FHM1094	1709	FHM1256
1145	FHM1015	1254	FHM626	1385	FHM1095	1800	FHM1006
1154	FHM629	1255	FHM1180	1386	FHM1096	1801	FHM576
1155	FHM630	1256	FHM1150	1409	FHM1038	1803	FHM585
1156	FHM820	1258	FHM574	1418	FHM1013	1804	FHM1257
1157	FHM698	1259	FHM695	1419	FHM640	1806	FHM515
1158	FHM1193	1260	FHM694	1430	FHM522	1807	FHM500
1159	FHM1149	1261	FHM693	1431	FHM524	1808	FHM1258
1161	FHM1033	1262	FHM1067	1432	FHM1012	1810	FHM1060
1163	FHM1194	1263	FHM696	1434	FHM1008	1811	FHM596
1164	FHM1195	1264	FHM1024	1436	FHM639	1813	FHM1091
1165	FHM1196	1265	FHM1214	1437	FHM1152	1814	FHM581
1166	FHM1049	1267	FHM1215	1441	FHM1146	1816	FHM541
1167	FHM1197	1268	FHM1216	1442	FHM1104	1817	FHM537
1170	FHM1102	1269	FHM1217	1444	FHM1163	1818	FHM501
1172	FHM1103	1270	FHM1142	1500	FHM530	1820	FHM1259
1173	FHM1161	1271	FHM1218	1501	FHM1185	1823	FHM1260
1174	FHM1120	1272	FHM1175	1503	FHM1090	1824	FHM504
1175	FHM1123	1273	FHM1219	1504	FHM1164	1826	FHM612
1176	FHM1082	1279	FHM1220	1506	FHM1147	1827	FHM1167
1177	FHM1198	1280	FHM1221	1507	FHM578	1828	FHM1158
1179	FHM1199	1281	FHM1222	1510	FHM1239	1829	FHM1007
1180	FHM1141	1285	FHM1223	1511	FHM1071	1830	FHM608
1182	FHM1200	1286	FHM1115	1512	FHM1240	1831	FHM569
1183	FHM1201	1290	FHM1224	1517	FHM1241	1832	FHM571
1184	FHM1202	1291	FHM1225	1526	FHM1030	1833	FHM568
1185	FHM1203	1292	FHM1226	1527	FHM1242	1834	FHM1002
1186	FHM1204	1293	FHM1227	1528	FHM602	1835	FHM1014
1187	FHM1205	1296	FHM1228	1529	FHM1117	1836	FHM1261
1189	FHM1207	1297	FHM1131	1532	FHM1125	1837	FHM557
1190	FHM1208	1298	FHM1116	1533	FHM646	1838	FHM560
1191	FHM1162	1299	FHM1229	1534	FHM647	1839	FHM567
1192	FHM1110	1313	FHM1230	1535	FHM631	1840	FHM556
1194	FHM1114	1314	FHM1137	1536	FHM1243	1841	FHM543
1195	FHM1209	1315	FHM1231	1537	FHM1093	1844	FHM555
1196	FHM1210	1316	FHM1232	1538	FHM649	1845	FHM558
1197	FHM1051	1317	FHM1151	1539	FHM1046	1846	FHM638
1198	FHM1211	1318	FHM1233	1540	FHM1047	1848	FHM1262

COMPETITOR INTERCHANGE

...LPR	FERODO	...LPR	FERODO	...LPR	FERODO	...LPR	FERODO
1851	FHM1119	1920	FHM1068	2115	FHC5039	2717	FHC5110
1853	FHM592	1922	FHM1050	2116	FHC5058	2718	FHC5061
1854	FHM1004	1923	FHM815	2117	FHC5071	2719	FHC5081
1855	FHM507	1924	FHM1059	2118	FHC5092	2720	FHC5057
1856	FHM503	1925	FHM1130	2119	FHC5093	3120	FHC6076
1857	FHM509	1926	FHM1062	2122	FHC5094	3204	FHC6018
1858	FHM508	1927	FHM1269	2123	FHC5095	3210	FHC6025
1860	FHM1263	1928	FHM1270	2125	FHC5066	3212	FHC6023
1861	FHM1044	1932	FHM1271	2146	FHC5048	3215	FHC6033
1862	FHM607	1933	FHM1272	2149	FHC5024	3221	FHC6031
1863	FHM1264	1935	FHM1148	2151	FHC5002	3222	FHC6029
1864	FHM590	1936	FHM1273	2208	FHC5006	3223	FHC6009
1865	FHM570	1937	FHM1037	2211	FHC5052	3224	FHC6058
1867	FHM686	1938	FHM1065	2214	FHC5008	3225	FHC6035
1868	FHM677	1939	FHM1053	2215	FHC5096	3226	FHC6063
1869	FHM679	1940	FHM1063	2217	FHC5097	3228	FHC6054
1870	FHM681	1941	FHM1019	2218	FHC5053	3229	FHC6049
1871	FHM1107	1942	FHM1080	2220	FHC5013	3230	FHC6059
1872	FHM1061	1943	FHM1165	2304	FHC5070	3231	FHC6077
1873	FHM682	1946	FHM1135	2314	FHC5084	3232	FHC6078
1874	FHM683	1947	FHM1105	2317	FHC5079	3314	FHC6068
1875	FHM684	1948	FHM1159	2501	FHC5043	3500	FHC6022
1876	FHM1076	1949	FHM1122	2503	FHC5067	3502	FHC6043
1877	FHM1265	1950	FHM1099	2507	FHC5056	3503	FHC6079
1878	FHM1126	1951	FHM1274	2512	FHC5098	3504	FHC6080
1879	FHM606	1952	FHM1005	2516	FHC5086	3506	FHC6081
1880	FHM1040	1953	FHM1275	2518	FHC5099	3507	FHC6082
1881	FHM1170	1954	FHM1160	2520	FHC5080	3509	FHC6083
1882	FHM1081	1955	FHM1276	2528	FHC5100	3510	FHC6084
1883	FHM1101	1956	FHM1042	2529	FHC5101	3512	FHC6055
1884	FHM1266	1957	FHM1074	2532	FHC5087	3514	FHC6085
1885	FHM624	1958	FHM666	2535	FHC5102	3516	FHC6075
1886	FHM689	1959	FHM1277	2536	FHC5055	3520	FHC6086
1887	FHM688	1960	FHM675	2540	FHC5082	3522	FHC6065
1888	FHM691	1965	FHM616	2544	FHC5090	3524	FHC6088
1889	FHM685	1966	FHM818	2550	FHC5062	3526	FHC6071
1890	FHM661	1968	FHM1278	2551	FHC5088	3528	FHC6066
1892	FHM669	1969	FHM1078	2552	FHC5103	3529	FHC6072
1893	FHM1087	1970	FHM1279	2553	FHC5089	3531	FHC6073
1894	FHM690	1971	FHM667	2555	FHC5072	3532	FHC6048
1896	FHM699	1982	FHM1280	2558	FHC5104	3533	FHC6060
1897	FHM817	1984	FHM1132	2559	FHC5105	3535	FHC6089
1898	FHM1166	1985	FHM1281	2560	FHC5106	3536	FHC6090
1899	FHM826	1987	FHM1282	2561	FHC5107	3537	FHC6091
1900	FHM827	1988	FHM1283	2600	FHC5073	3538	FHC6070
1901	FHM821	1992	FHM1284	2611	FHC5069	3539	FHC6042
1902	FHM823	1993	FHM1106	2612	FHC5075	3540	FHC6092
1903	FHM1267	1994	FHM1285	2700	FHC5026	3542	FHC6094
1905	FHM664	1995	FHM1286	2701	FHC5003	3543	FHC6053
1906	FHM663	1996	FHM1127	2702	FHC5010	3544	FHC6044
1907	FHM1178	1999	FHM1287	2703	FHC5076	3545	FHC6095
1908	FHM1171	2104	FHC5028	2704	FHC5108	3546	FHC6051
1909	FHM617	2105	FHC5025	2708	FHC5029	3549	FHC6096
1912	FHM1100	2107	FHC5038	2710	FHC5030	3551	FHC6097
1913	FHM1088	2108	FHC5045	2712	FHC5037	3552	FHC6061
1914	FHM1108	2110	FHC5074	2713	FHC5109	3559	FHC6067
1915	FHM687	2111	FHC5050	2714	FHC5083	3570	FHC6098
1916	FHM1268	2112	FHC5064	2716	FHC5063	3572	FHC6099

COMPETITOR INTERCHANGE

...LPR	FERODO	...LPR	FERODO	...LPR	FERODO	...LPR	FERODO
3573	FHC6100	4078	FHW404	4203	FHW4295	4297	FHW101
3600	FHC6007	4079	FHW420	4206	FHW4253	4299	FHW059
3602	FHC6069	4080	FHW4096	4207	FHW4296	4300	FHW306
3603	FHC6039	4081	FHW4114	4212	FHW104	4302	FHW4315
3604	FHC6010	4084	FHW4172	4213	FHW100	4304	FHW4209
3605	FHC6011	4085	FHW4108	4214	FHW4297	4305	FHW312
3606	FHC6103	4087	FHW4263	4215	FHW4298	4306	FHW4316
3607	FHC6034	4088	FHW4264	4217	FHW4299	4307	FHW4317
3611	FHC6104	4089	FHW4278	4221	FHW4269	4308	FHW4223
3612	FHC6015	4091	FHW450	4222	FHW4271	4312	FHW4318
3613	FHC6105	4092	FHW4053	4225	FHW034	4319	FHW4319
3614	FHC6046	4095	FHW4279	4228	FHW4301	4322	FHW4320
3615	FHC6074	4096	FHW4158	4229	FHW4302	4325	FHW4184
3622	FHC6064	4097	FHW4082	4233	FHW4303	4326	FHW429
3700	FHC6008	4098	FHW4093	4239	FHW4049	4327	FHW4099
3701	FHC6013	4099	FHW4280	4240	FHW4104	4333	FHW4144
3702	FHC6017	4112	FHW4127	4241	FHW4047	4334	FHW4164
3703	FHC6032	4113	FHW4217	4242	FHW4101	4335	FHW203
3704	FHC6030	4114	FHW4174	4243	FHW055	4337	FHW4321
3705	FHC6037	4115	FHW4148	4244	FHW4039	4338	FHW4322
3706	FHC6057	4118	FHW190	4245	FHW021	4340	FHW176
3801	FHC6062	4142	FHW4218	4246	FHW003	4341	FHW177
3802	FHC6106	4143	FHW4190	4247	FHW4150	4342	FHW4092
3804	FHC6107	4144	FHW4138	4248	FHW041	4343	FHW4068
3805	FHC6108	4148	FHW4285	4249	FHW4139	4344	FHW4224
3810	FHC6045	4152	FHW4087	4250	FHW168	4346	FHW181
3811	FHC6047	4154	FHW4130	4251	FHW169	4347	FHW182
3812	FHC6110	4156	FHW4286	4252	FHW174	4348	FHW4177
4024	FHW4137	4157	FHW4200	4253	FHW228	4350	FHW313
4025	FHW343	4158	FHW4159	4254	FHW4305	4371	FHW4033
4026	FHW362	4159	FHW4267	4255	FHW4056	4372	FHW339
4027	FHW323	4162	FHW4287	4256	FHW4129	4374	FHW4004
4028	FHW403	4163	FHW4246	4257	FHW135	4388	FHW4325
4033	FHW357	4164	FHW4189	4258	FHW336	4389	FHW4178
4036	FHW4045	4165	FHW4288	4259	FHW335	4391	FHW4167
4037	FHW4052	4168	FHW4050	4260	FHW4206	4392	FHW4077
4038	FHW348	4169	FHW4024	4261	FHW4306	4394	FHW4326
4039	FHW349	4170	FHW4081	4264	FHW4183	4395	FHW4327
4040	FHW354	4171	FHW4289	4268	FHW185	4397	FHW4328
4043	FHW4040	4172	FHW4191	4269	FHW140	4400	FHW4000
4045	FHW322	4174	FHW4219	4273	FHW4309	4401	FHW4001
4047	FHW419	4175	FHW4220	4274	FHW4310	4402	FHW4009
4048	FHW359	4177	FHW4192	4276	FHW4090	4403	FHW4014
4049	FHW4275	4178	FHW4175	4277	FHW4116	4404	FHW4059
4055	FHW4030	4180	FHW4256	4281	FHW4168	4405	FHW152
4056	FHW4075	4181	FHW4290	4282	FHW4156	4406	FHW4016
4057	FHW4276	4182	FHW4291	4283	FHW4031	4408	FHW4035
4058	FHW4277	4185	FHW4149	4284	FHW4312	4409	FHW159
4059	FHW4202	4186	FHW4176	4285	FHW4313	4410	FHW160
4060	FHW4020	4187	FHW4109	4286	FHW4314	4411	FHW161
4061	FHW402	4190	FHW4221	4287	FHW192	4412	FHW4171
4062	FHW401	4191	FHW4160	4288	FHW191	4414	FHW4225
4063	FHW425	4192	FHW4292	4289	FHW106	4415	FHW4226
4066	FHW406	4194	FHW4203	4290	FHW030	4417	FHW4329
4067	FHW407	4198	FHW4293	4291	FHW4143	4418	FHW4058
4068	FHW4042	4200	FHW4222	4292	FHW4132	4419	FHW4064
4070	FHW4261	4201	FHW4294	4293	FHW183	4421	FHW4120
4071	FHW4262	4202	FHW002	4294	FHW184	4426	FHW4017

COMPETITOR INTERCHANGE

...LPR	FERODO	...LPR	FERODO	...LPR	FERODO	...LPR	FERODO
4434	FHW4012	4521	FHW116	4590	FHW084	4701	FHW4038
4435	FHW4015	4523	FHW117	4591	FHW085	4702	FHW4216
4436	FHW4089	4524	FHW129	4592	FHW178	4707	FHW170
4440	FHW4010	4525	FHW121	4593	FHW179	4714	FHW099
4441	FHW4133	4526	FHW130	4594	FHW200	4715	FHW098
4442	FHW409	4527	FHW122	4595	FHW229	4720	FHW4342
4443	FHW155	4532	FHW146	4601	FHW4208	4727	FHW4136
4444	FHW4002	4533	FHW147	4625	FHW222	4730	FHW4007
4445	FHW4046	4534	FHW015	4628	FHW4339	4731	FHW4008
4450	FHW4157	4535	FHW134	4634	FHW4340	4732	FHW4006
4452	FHW038	4536	FHW016	4635	FHW217	4733	FHW4119
4453	FHW156	4537	FHW133	4636	FHW223	4734	FHW4105
4454	FHW007	4538	FHW017	4637	FHW218	4738	FHW307
4455	FHW325	4539	FHW018	4638	FHW148	4755	FHW4227
4460	FHW309	4540	FHW131	4639	FHW4215	4763	FHW4110
4461	FHW207	4541	FHW145	4648	FHW124	4768	FHW4117
4462	FHW149	4545	FHW427	4650	FHW158	4800	FHW4142
4463	FHW4025	4546	FHW431	4659	FHW215	4801	FHW4037
4464	FHW4103	4547	FHW138	4660	FHW120	4802	FHW4051
4466	FHW008	4548	FHW139	4661	FHW035	4803	FHW4044
4467	FHW023	4550	FHW4098	4662	FHW039	4804	FHW011
4468	FHW042	4551	FHW4003	4663	FHW040	4808	FHW162
4469	FHW213	4552	FHW195	4664	FHW036	4810	FHW4265
4470	FHW4083	4553	FHW4011	4665	FHW037	4814	FHW150
4471	FHW4182	4554	FHW4021	4666	FHW056	4816	FHW123
4472	FHW094	4555	FHW194	4667	FHW057	4818	FHW053
4473	FHW210	4556	FHW421	4668	FHW054	4820	FHW171
4474	FHW209	4557	FHW4247	4669	FHW105	4821	FHW052
4477	FHW227	4558	FHW4334	4670	FHW072	4822	FHW201
4478	FHW224	4559	FHW4179	4671	FHW073	4823	FHW202
4479	FHW226	4560	FHW4180	4672	FHW062	4824	FHW415
4480	FHW225	4562	FHW4335	4673	FHW063	4825	FHW417
4481	FHW302	4563	FHW4270	4674	FHW064	4826	FHW416
4482	FHW214	4564	FHW4193	4675	FHW065	4827	FHW4107
4484	FHW301	4565	FHW4336	4676	FHW047	4828	FHW4125
4485	FHW244	4566	FHW4337	4677	FHW048	4829	FHW4085
4486	FHW233	4568	FHW4338	4678	FHW045	4830	FHW418
4487	FHW235	4569	FHW4065	4679	FHW046	4834	FHW4343
4488	FHW303	4570	FHW4057	4680	FHW193	4870	FHW043
4489	FHW4185	4571	FHW4069	4681	FHW211	4871	FHW044
4490	FHW4161	4572	FHW346	4682	FHW236	4872	FHW082
4491	FHW4073	4573	FHW347	4683	FHW212	4873	FHW083
4492	FHW4074	4574	FHW068	4684	FHW237	4874	FHW091
4494	FHW4268	4575	FHW069	4685	FHW238	4875	FHW092
4497	FHW4162	4576	FHW090	4686	FHW231	4876	FHW333
4498	FHW4330	4577	FHW088	4687	FHW232	4900	FHW4060
4499	FHW4331	4578	FHW089	4688	FHW334	4903	FHW4140
4500	FHW4332	4579	FHW074	4689	FHW342	4906	FHW4228
4502	FHW025	4580	FHW4029	4690	FHW358	4907	FHW317
4503	FHW095	4581	FHW4043	4691	FHW321	4908	FHW4097
4507	FHW4245	4582	FHW086	4692	FHW4023	4909	FHW318
4508	FHW128	4583	FHW087	4693	FHW221	4912	FHW010
4512	FHW107	4584	FHW075	4694	FHW4341	4913	FHW004
4513	FHW188	4585	FHW076	4695	FHW308	4914	FHW4344
4514	FHW187	4586	FHW4210	4696	FHW4018	4915	FHW4207
4516	FHW4266	4587	FHW4197	4697	FHW304	4916	FHW026
4518	FHW4333	4588	FHW103	4698	FHW305	4917	FHW4204
4519	FHW113	4589	FHW102	4699	FHW4019	4918	FHW027

COMPETITOR INTERCHANGE

...LPR	FERODO	...LPR	FERODO	...LPR	FERODO	...LPR	FERODO
4919	FHW4181	5106	FHW4084	5513	FHW4186	6749	FHM1124
4920	FHW337	5107	FHW4152	5514	FHW4199	6750	FHM1009
4923	FHW4345	5108	FHW4165	5516	FHW4154	6751	FHM1029
4924	FHW4346	5109	FHW4145	5517	FHW4121	6752	FHM534
4925	FHW4347	5110	FHW4128	5518	FHW4241	6754	FHM536
4926	FHW4257	5111	FHW405	5521	FHW4371	6757	FHM1000
4929	FHW4194	5113	FHW4111	5524	FHW4242	6758	FHM1001
4931	FHW4061	5114	FHW4106	5525	FHW4260	6759	FHM657
4932	FHW319	5117	FHW4146	5526	FHW4195	6760	FHM1133
4933	FHW4022	5118	FHW4028	5527	FHW4196	6761	FHM1052
4934	FHW4013	5119	FHW4258	5528	FHW4243	6762	FHM1016
4935	FHW4062	5123	FHW4100	5529	FHW4163	6763	FHM1020
4936	FHW4063	5125	FHW4230	5530	FHW4170	6764	FHM1073
4937	FHW216	5126	FHW4231	5531	FHW4372	6765	FHM1292
4938	FHW4229	5127	FHW4361	5532	FHW4086	6766	FHM1077
4939	FHW4244	5128	FHW4362	5533	FHW4373	6767	FHM1035
4945	FHW4348	5129	FHW4232	5534	FHW4374	6768	FHM655
4946	FHW4349	5131	FHW411	5537	FHW4076	6769	FHM668
4947	FHW4126	5132	FHW412	5539	FHW4055	6770	FHM659
4948	FHW4151	5133	FHW4036	5540	FHW4118	6771	FHM662
4951	FHW4350	5134	FHW423	5541	FHW4212	6772	FHM658
4952	FHW4078	5135	FHW422	5542	FHW4252	6776	FHM1293
4953	FHW4094	5138	FHW4166	5543	FHW4155	6778	FHM660
4954	FHW4102	5139	FHW4233	5544	FHW4112	6779	FHM1085
4955	FHW4248	5140	FHW4363	5545	FHW4213	6780	FHM1084
4956	FHW4173	5141	FHW4364	5546	FHW4214	6781	FHM665
4957	FHW4211	5142	FHW410	5549	FHW4026	6782	FHM670
4958	FHW4351	5143	FHW4234	5562	FHW4123	6783	FHM671
4959	FHW077	5151	FHW4235	6307	FHM1134	6784	FHM672
4960	FHW051	5152	FHW4236	6600	FHM1003	6785	FHM673
4961	FHW4254	5154	FHW4205	6601	FHM1022	6786	FHM1072
4962	FHW013	5157	FHW4072	6602	FHM1026	6787	FHM1043
4963	FHW4352	5200	FHW4131	6603	FHM1018	6788	FHM1083
4964	FHW4147	5201	FHW4153	6610	FHM1017	6789	FHM1055
4976	FHW338	5202	FHW4365	6618	FHM1288	6790	FHM1036
4977	FHW093	5220	FHW4237	6621	FHM1057	7100	FHC5021
4978	FHW4272	5250	FHW4187	6622	FHM1041	7101	FHC5054
4979	FHW4122	5251	FHW4188	6700	FHM1054	7102	FHC5031
4980	FHW4201	5252	FHW4238	6701	FHM1023	7103	FHC5000
4981	FHW4353	5254	FHW4366	6703	FHM1032	7104	FHC5005
4983	FHW4354	5256	FHW4124	6704	FHM1179	7105	FHC5033
4989	FHW4273	5263	FHW4249	6705	FHM1289	7106	FHC5011
4992	FHW019	5264	FHW4250	6706	FHM1034	7107	FHC5068
4993	FHW153	5300	FHW058	6707	FHM1136	7108	FHC5017
4994	FHW330	5303	FHW4367	6708	FHM1089	7109	FHC5022
4995	FHW329	5304	FHW4198	6716	FHM1010	7110	FHC5019
4996	FHW4355	5305	FHW327	6717	FHM1058	7111	FHC5023
4997	FHW331	5306	FHW328	6718	FHM1048	7112	FHC5014
4999	FHW005	5307	FHW4005	6720	FHM1039	7113	FHC5004
5003	FHW219	5308	FHW4041	6721	FHM1098	7114	FHC5035
5004	FHW220	5318	FHW4255	6725	FHM1290	7115	FHC5016
5064	FHW4113	5319	FHW4251	6727	FHM1186	7116	FHC5060
5070	FHW4079	5503	FHW4239	6737	FHM1031	7700	FHC5044
5100	FHW196	5504	FHW4134	6739	FHM1291	7701	FHC5065
5101	FHW197	5507	FHW208	6740	FHM1138	7703	FHC5046
5102	FHW198	5508	FHW4370	6744	FHM1066	7706	FHC5034
5103	FHW199	5509	FHW4259	6746	FHM656	7707	FHC5007
5105	FHW4080	5512	FHW4240	6747	FHM1172	7709	FHC5051

COMPETITOR INTERCHANGE

...LPR	FERODO	NK	FERODO	...NK	FERODO	...NK	FERODO
7713	FHC5078	801001	FHW169	802245	FHW4227	802542	FHW4206
7716	FHC5112	801002	FHW168	802246	FHW4134	802543	FHW4129
7720	FHC5020	801005	FHW184	802247	FHW4146	802544	FHW4156
7721	FHC5009	801006	FHW183	802248	FHW4028	802545	FHW4168
7727	FHC5059	801201	FHW159	802249	FHW419	802546	FHW4116
7728	FHC5027	801202	FHW160	802251	FHW4343	802547	FHW4090
7729	FHC5018	801204	FHW4226	802303	FHW4059	802549	FHW192
7736	FHC5091	801205	FHW4194	802304	FHW152	802550	FHW106
7737	FHC5032	801215	FHW4308	802306	FHW077	802551	FHW101
7739	FHC5113	801216	FHW4307	802311	FHW4009	802552	FHW335
7743	FHC5001	801217	FHW4300	802312	FHW4014	802555	FHW104
7744	FHC5012	801225	FHW4061	802321	FHW207	802556	FHW185
8100	FHC6024	801226	FHW331	802323	FHW4002	802557	FHW191
8102	FHC6001	801227	FHW4355	802324	FHW155	802558	FHW034
8103	FHC6006	801228	FHW329	802328	FHW038	802559	FHW4132
8104	FHC6052	801229	FHW330	802329	FHW007	802560	FHW4143
8105	FHC6016	801409	FHW4296	802331	FHW156	802561	FHW195
8106	FHC6002	801410	FHW4253	802333	FHW008	802562	FHW4011
8107	FHC6014	801432	FHW4191	802334	FHW023	802563	FHW223
8108	FHC6019	801433	FHW312	802335	FHW042	802564	FHW217
8109	FHC6021	801504	FHW4183	802336	FHW209	802565	FHW218
8110	FHC6000	801506	FHW055	802337	FHW210	802566	FHW194
8800	FHC6004	801507	FHW058	802338	FHW094	802567	FHW4038
8802	FHC6026	801508	FHW140	802340	FHW244	802568	FHW4042
8804	FHC6040	801510	FHW193	802341	FHW233	802606	FHW4218
8806	FHC6050	801511	FHW321	802342	FHW235	802609	FHW4321
8809	FHC6041	801909	FHW150	802343	FHW301	802611	FHW182
8810	FHC6005	801911	FHW171	802344	FHW226	802612	FHW181
8811	FHC6027	801918	FHW052	802345	FHW225	802613	FHW4175
8815	FHC6020	801919	FHW043	802346	FHW304	802614	FHW4192
3601B	FHC6038	801920	FHW044	802347	FHW305	802617	FHW4220
7709GH	FHC5042	801921	FHW202	802348	FHW4030	802618	FHW4219
8800GH	FHC6012	801923	FHW346	802349	FHW302	802621	FHW4162
8801GH	FHC6036	801924	FHW347	802351	FHW4185	802622	FHW4330
		801925	FHW201	802352	FHW4046	802623	FHW4337
		801926	FHW214	802353	FHW4158	802624	FHW4338
		801927	FHW236	802354	FHW4065	803002	FHW4144
		801928	FHW212	802355	FHW4019	803003	FHW4164
		801929	FHW333	802357	FHW4108	803004	FHW4130
		801930	FHW222	802505	FHW4078	803011	FHW4237
		801931	FHW221	802506	FHW336	803012	FHW4170
		801932	FHW342	802507	FHW337	803013	FHW4163
		801933	FHW416	802508	FHW4140	803014	FHW4243
		801934	FHW417	802509	FHW335	803015	FHW4196
		801935	FHW415	802513	FHW135	803016	FHW4372
		802217	FHW4077	802516	FHW4228	803017	FHW4086
		802222	FHW174	802518	FHW4348	803018	FHW4195
		802225	FHW190	802523	FHW4207	803020	FHW4053
		802226	FHW4109	802524	FHW4344	803215	FHW4184
		802229	FHW4267	802530	FHW4122	803221	FHW4174
		802237	FHW4190	802531	FHW4060	803227	FHW4024
		802238	FHW4178	802532	FHW4102	803228	FHW4081
		802239	FHW196	802533	FHW4094	803229	FHW4076
		802240	FHW197	802536	FHW153	803230	FHW4110
		802241	FHW208	802537	FHW4272	803231	FHW4232
		802242	FHW4138	802539	FHW019	803312	FHW4005
		802243	FHW4239	802540	FHW4056	803313	FHW4021
		802244	FHW405	802541	FHW4306	803314	FHW4041

COMPETITOR INTERCHANGE

...NK		FERODO		...NK		FERODO		...NK		FERODO	
803315	FHW354	803753	FHW238	804529	FHW177	805201	FHW4366				
803316	FHW357	803754	FHW334	804530	FHW176	805202	FHW4087				
803317	FHW411	803755	FHW358	804531	FHW4092	805203	FHW4112				
803318	FHW412	803901	FHW146	804532	FHW4068	805204	FHW4155				
803319	FHW402	803902	FHW147	804533	FHW4317	805206	FHW4036				
803320	FHW401	803903	FHW025	804534	FHW4320	805207	FHW4214				
803401	FHW4084	803904	FHW107	804536	FHW4176	805208	FHW4213				
803402	FHW4080	803905	FHW113	804541	FHW4148	805601	FHW4047				
803403	FHW4165	803906	FHW095	804542	FHW4177	809301	FHW4079				
803404	FHW4152	803917	FHW131	804543	FHW4240	809910	FHW053				
803405	FHW4128	803919	FHW145	804544	FHW4189	809911	FHW124				
803406	FHW4145	803925	FHW090	804545	FHW4111	809914	FHW051				
803407	FHW4242	803926	FHW088	804546	FHW4106	809915	FHW4347				
803408	FHW4260	803927	FHW4029	804549	FHW4247	809916	FHW161				
803409	FHW4256	803928	FHW4043	804550	FHW4334	809917	FHW4171				
803411	FHW4261	803929	FHW086	804551	FHW4179	809919	FHW4257				
803412	FHW4262	803930	FHW087	804552	FHW4180	809920	FHW026				
803413	FHW4045	803931	FHW188	804553	FHW423	809922	FHW4345				
803414	FHW4052	803932	FHW187	804554	FHW422	809923	FHW4346				
803501	FHW4026	803933	FHW129	804555	FHW4166	809926	FHW4151				
803502	FHW4055	803934	FHW130	804556	FHW4233	809927	FHW4126				
803503	FHW4230	803935	FHW121	804557	FHW4123	809928	FHW4229				
803504	FHW4231	803940	FHW346	804558	FHW4371	809929	FHW170				
803505	FHW4118	803941	FHW347	804559	FHW4096	809930	FHW319				
803506	FHW4193	803944	FHW4210	804560	FHW4114	809931	FHW099				
803603	FHW4097	803946	FHW103	804561	FHW450	809932	FHW116				
803606	FHW317	803947	FHW102	804562	FHW4264	809933	FHW117				
803610	FHW4204	803948	FHW075	804563	FHW4263	809934	FHW054				
803611	FHW318	803949	FHW076	804701	FHW004	809935	FHW123				
803619	FHW4150	803950	FHW229	804706	FHW010	809936	FHW149				
803620	FHW002	803951	FHW4057	804709	FHW005	809938	FHW4223				
803625	FHW4139	803952	FHW4069	804714	FHW4101	809939	FHW4217				
803627	FHW003	803953	FHW089	804716	FHW4022	809940	FHW098				
803628	FHW021	803954	FHW074	804717	FHW4062	809941	FHW134				
803629	FHW041	803955	FHW178	804718	FHW4013	809942	FHW133				
803630	FHW228	803956	FHW179	804719	FHW4049	809945	FHW015				
803631	FHW4305	803957	FHW084	804720	FHW4104	809946	FHW016				
803640	FHW421	803958	FHW085	804728	FHW216	809947	FHW062				
803641	FHW343	803959	FHW211	804729	FHW4031	809948	FHW063				
803642	FHW362	803960	FHW4018	804731	FHW4039	809949	FHW4069				
803643	FHW410	803961	FHW138	804735	FHW030	809950	FHW4057				
803644	FHW200	803962	FHW139	804736	FHW059	809953	FHW328				
803731	FHW039	803963	FHW403	804737	FHW4003	809954	FHW327				
803732	FHW040	803964	FHW323	804738	FHW4004	809955	FHW213				
803739	FHW036	803965	FHW425	804739	FHW429	809957	FHW045				
803740	FHW037	803966	FHW404	804740	FHW4033	809958	FHW046				
803741	FHW072	803967	FHW322	804804	FHW4181	821004	FHM596				
803742	FHW073	803968	FHW359	804808	FHW100	821006	FHM638				
803743	FHW064	804001	FHW4294	804811	FHW220	821010	FHM815				
803744	FHW065	804002	FHW4222	804812	FHW219	821011	FHM1060				
803745	FHW105	804301	FHW4209	805001	FHW4020	821012	FHM1063				
803746	FHW035	804302	FHW306	805002	FHW4172	821502	FHM581				
803747	FHW047	804303	FHW307	805103	FHW4365	821517	FHM681				
803748	FHW048	804304	FHW4075	805105	FHW4131	821519	FHM1107				
803749	FHW215	804305	FHW4137	805106	FHW4153	821528	FHM1061				
803750	FHW231	804306	FHW339	805110	FHW4234	821530	FHM1143				
803751	FHW232	804507	FHW4317	805111	FHW4235	821805	FHM1169				
803752	FHW237	804522	FHW313	805112	FHW4236	821903	FHM522				

COMPETITOR INTERCHANGE

...NK		FERODO		...NK		FERODO		...NK		FERODO	
821911	FHM640	822537	FHM1071	823652	FHM606	824754	FHM1002				
821912	FHM1267	822540	FHM1117	823705	FHM582	824755	FHM682				
821913	FHM823	822541	FHM646	823714	FHM1197	824757	FHM684				
821914	FHM1148	822542	FHM694	823716	FHM627	824758	FHM683				
821915	FHM1122	822543	FHM647	823718	FHM661	824761	FHM570				
821918	FHM1166	822544	FHM688	823720	FHM620	824762	FHM1201				
821919	FHM663	822545	FHM689	823723	FHM554	824763	FHM1214				
821920	FHM664	822555	FHM689	823725	FHM622	824764	FHM1051				
821921	FHM669	822556	FHM691	823726	FHM623	824765	FHM685				
821923	FHM670	822557	FHM1125	823727	FHM827	824766	FHM1123				
821926	FHM672	822558	FHM690	823728	FHM826	824767	FHM1050				
821927	FHM661	822559	FHM1078	823729	FHM1105	824768	FHM687				
821928	FHM1166	822560	FHM1042	823730	FHM1130	824803	FHM500				
821929	FHM1285	822561	FHM1108	823905	FHM519	824804	FHM501				
821930	FHM1286	822563	FHM1082	823908	FHM636	824811	FHM608				
821931	FHM1062	822565	FHM695	823912	FHM589	825001	FHM1205				
821932	FHM1099	822566	FHM692	823913	FHM1028	829903	FHM639				
821933	FHM1148	822568	FHM1074	823914	FHM527	829907	FHM1016				
821934	FHM1272	822570	FHM1144	823916	FHM637	829908	FHM585				
821935	FHM626	822604	FHM1155	823917	FHM666	829909	FHM1014				
821936	FHM1135	822605	FHM1118	823918	FHM699	829910	FHM1025				
821937	FHM1113	822607	FHM1154	823919	FHM1282	829912	FHM524				
821938	FHM1235	822609	FHM1153	823920	FHM817	831001	FHC5021				
821939	FHM1227	823304	FHM1007	823921	FHM1229	831004	FHC5031				
821940	FHM1225	823305	FHM503	823922	FHM1141	831005	FHC5016				
821942	FHM1145	823310	FHM508	823923	FHM820	831006	FHC5001				
822225	FHM1156	823313	FHM1127	823924	FHM1279	831007	FHC5023				
822226	FHM1157	823314	FHM1180	823925	FHM1218	831501	FHC5073				
822301	FHM1136	823315	FHM1150	823926	FHM620	831502	FHC5019				
822302	FHM1034	823316	FHM1159	823927	FHM1178	831503	FHC5022				
822303	FHM1032	823323	FHM617	823929	FHM1116	831508	FHC5011				
822304	FHM1089	823324	FHM509	823930	FHM1216	831509	FHC5060				
822307	FHM1010	823328	FHM1005	823931	FHM1215	831807	FHC5084				
822313	FHM1029	823501	FHM1149	823933	FHM616	832203	FHC5085				
822315	FHM1124	823623	FHM556	823934	FHM1151	832206	FHC5086				
822319	FHM536	823624	FHM557	823935	FHM1231	832211	FHC5072				
822320	FHM1098	823625	FHM558	823936	FHM634	832306	FHC5042				
822321	FHM1001	823626	FHM560	823937	FHM629	832307	FHC5004				
822323	FHM668	823629	FHM569	823938	FHM698	832506	FHC5052				
822324	FHM1000	823630	FHM567	823939	FHM630	833302	FHC5076				
822325	FHM655	823631	FHM571	823940	FHM1142	833305	FHC5003				
822326	FHM656	823633	FHM1114	823941	FHM1224	833306	FHC5026				
822327	FHM665	823635	FHM1119	824108	FHM818	833604	FHC5097				
822328	FHM1084	823636	FHM1081	824301	FHM1134	834104	FHC5061				
822329	FHM657	823637	FHM1040	824302	FHM1088	834105	FHC5057				
822330	FHM1077	823638	FHM555	824303	FHM1223	834106	FHC5081				
822331	FHM662	823640	FHM1004	824304	FHM1115	834301	FHC5087				
822332	FHM658	823641	FHM543	824305	FHM1120	834522	FHC5080				
822333	FHM1284	823642	FHM541	824713	FHM1015	834528	FHC5062				
822334	FHM1106	823643	FHM1265	824714	FHM515	834545	FHC5103				
822335	FHM1065	823644	FHM1019	824726	FHM1087	834557	FHC5089				
822336	FHM1053	823645	FHM537	824728	FHM504	834702	FHC5017				
822337	FHM1068	823646	FHM1076	824732	FHM576	834703	FHC5005				
822338	FHM1002	823647	FHM1210	824742	FHM1259	834704	FHC5000				
822524	FHM530	823648	FHM1269	824748	FHM612	834705	FHC5068				
822527	FHM1030	823649	FHM1270	824750	FHM1264	834706	FHC5008				
822528	FHM1164	823650	FHM1170	824751	FHM607	834707	FHC5028				
822529	FHM602	823651	FHM1126	824752	FHM590	834709	FHC5053				

COMPETITOR INTERCHANGE

...NK

FERODO

834712	FHC5050
834713	FHC5025
841001	FHC6003
841003	FHC6019
841004	FHC6000
841501	FHC6007
841504	FHC6011
841505	FHC6010
841804	FHC6068
842205	FHC6079
842207	FHC6083
842209	FHC6067
842211	FHC6061
842220	FHC6072
842231	FHC6065
842301	FHC6036
842302	FHC6001
843205	FHC6075
843302	FHC6017
843303	FHC6008
843307	FHC6013
843308	FHC6045
844104	FHC6038
844105	FHC6039
844505	FHC6071
844506	FHC6066
844507	FHC6089
844510	FHC6060
844513	FHC6048
844516	FHC6055
844517	FHC6073
844703	FHC6014
844706	FHC6016
844707	FHC6006
844708	FHC6002
844709	FHC6033
844711	FHC6064
844805	FHC6046
849904	FHC6022

POWERTRAIN

FERODO

GMC1020	FHC5084
GMC1032	FHC5043
GMC1040	FHC5051
GMC1044	FHC5003
GMC1070	FHC5006
GMC1071	FHC5021
GMC232	FHM1244
GMC270	FHM1263
GMC275	FHM1077
GMC276	FHM1125
GMC277	FHM646
GMC278	FHM647
GMC280	FHM1243
GMC282	FHM1093
GMC287	FHC5098
GMC296	FHM620
GMC300	FHM561
GMC310	FHC5056
GMC332	FHM1133
GMC353	FHM1040
GMC354	FHM606
GMC389	FHM589
GMC390	FHM640
GMC392	FHM582
GMC393	FHM554
GMC396	FHM526
GMC397	FHM1008
GMC398	FHM625
GMC417	FHM1029
GMC423	FHM1185
GMC425	FHM536
GMC429	FHM1164
GMC431	FHM602
GMC432	FHM1242
GMC433	FHM1239
GMC460	FHM1028
GMC464	FHM1158
GMC548	FHM530
GMC554	FHM1006
GMC573	FHM1016
GMC580	FHM586
GMC583	FHM525
GMC584	FHM1071
GMC585	FHM500
GMC594	FHM1138
GMC595	FHM1136
GMC633	FHM1124
GMC634	FHM656
GMC635	FHM1001
GMC636	FHM501
GMC642	FHM1098
GMC643	FHM1060
GMC644	FHM1020
GMC646	FHM668
GMC650	FHM596
GMC657	FHM1007
GMC658	FHM636
GMC662	FHM1192

...POWERTRAIN

FERODO

GMC663	FHM627
GMC665	FHM1046
GMC666	FHM1047
GMC668	FHM1002
GMC672	FHM612
GMC674	FHM534
GMC675	FHM608
GMC677	FHM1155
GMC678	FHM1118
GMC684	FHM1187
GMC700	FHC5065
GMC819	FHM1025
GMC826	FHM558
GMC828	FHM560
GMC839	FHM504
GMC840	FHM585
GMC843	FHM567
GMC844	FHM571
GMC846	FHM1004
GMC847	FHM1119
GMC850	FHM568
GMC851	FHM1076
GMC862	FHM1079
GMC866	FHM1181
GMC876	FHM1241
GMC878	FHM1245
GMC880	FHM692
GMC882	FHM574
GMC883	FHM684
GMC884	FHM626
GMC886	FHM1067
GMC887	FHM695
GMC889	FHM1275
GMC890	FHM1059
GMC891	FHM1146
GMC894	FHM689
GMC895	FHM688
GMC899	FHM1109
GMC900	FHM622
GMC902	FHM623
GMC906	FHM570
GMC910	FHM694
GMC911	FHM624
GMC912	FHM683
GMC913	FHM691
GMC914	FHM690
GMC915	FHM686
GSY125	FHC6068
GSY126	FHC6046
GSY127	FHC6007
GSY128	FHC6082
GSY133	FHC6043
GSY138	FHC6023
GSY140	FHC6024
GSY141	FHC6086
GSY142	FHC6066
GSY143	FHC6071
GSY146	FHC6084

...POWERTRAIN

FERODO

GSY148	FHC6004
GSY156	FHC6075
GSY161	FHC6067
GSY163	FHC6107
GSY165	FHC6092
GSY169	FHC6048
GSY177	FHC6014
GSY188	FHC6088
GSY190	FHC6022
GSY191	FHC6015
GSY198	FHC6074
GWC1112	FHW4353
GWC1149	FHW4002
GWC1156	FHW4355
GWC1157	FHW331
GWC1159	FHW330
GWC1160	FHW329
GWC1161	FHW4269
GWC1162	FHW4271
GWC1202	FHW4244
GWC1215	FHW4046
GWC1217	FHW156
GWC1219	FHW4195
GWC122	FHW4126
GWC1222	FHW4134
GWC1223	FHW4239
GWC1225	FHW312
GWC1229	FHW184
GWC123	FHW4151
GWC1230	FHW183
GWC1232	FHW4031
GWC1236	FHW4197
GWC1237	FHW4210
GWC1238	FHW4182
GWC1240	FHW4178
GWC1241	FHW074
GWC1242	FHW089
GWC1245	FHW4296
GWC1246	FHW4253
GWC1249	FHW4320
GWC1256	FHW202
GWC1258	FHW4177
GWC1259	FHW4246
GWC1260	FHW4286
GWC1264	FHW4293
GWC1265	FHW4287
GWC1273	FHW217
GWC1274	FHW223
GWC1275	FHW218
GWC1299	FHW4254
GWC1307	FHW4211
GWC1308	FHW4351
GWC1314	FHW034
GWC1315	FHW185
GWC1317	FHW4224
GWC1320	FHW190
GWC1322	FHW4077
GWC1323	FHW4167

COMPETITOR INTERCHANGE

...POWERTRAIN

FERODO

GWC1343	FHW319
GWC1363	FHW4221
GWC1367	FHW4159
GWC1368	FHW4200
GWC1369	FHW4087
GWC1370	FHW4149
GWC1371	FHW4256
GWC1371	FHW4285
GWC1375	FHW209
GWC1380	FHW4259
GWC1382	FHW4372
GWC1383	FHW4220
GWC1384	FHW4219
GWC1388	FHW4190
GWC1391	FHW4186
GWC1392	FHW4199
GWC1396	FHW058
GWC1397	FHW215
GWC1398	FHW4005
GWC1399	FHW4099
GWC1400	FHW4033
GWC1401	FHW178
GWC1402	FHW179
GWC1406	FHW220
GWC1407	FHW219
GWC1412	FHW210
GWC1413	FHW193
GWC1417	FHW4175
GWC1418	FHW4192
GWC1419	FHW094
GWC1420	FHW225
GWC1421	FHW075
GWC1422	FHW076
GWC1423	FHW211
GWC1424	FHW201
GWC1425	FHW208
GWC1426	FHW4154
GWC1427	FHW4121
GWC1431	FHW4003
GWC1432	FHW4237
GWC1434	FHW4241
GWC1435	FHW4323
GWC1436	FHW214
GWC1437	FHW231
GWC1438	FHW232
GWC1439	FHW333
GWC1440	FHW405
GWC1441	FHW237
GWC1442	FHW238
GWC1443	FHW321
GWC1444	FHW4018
GWC1445	FHW4050
GWC1446	FHW226
GWC1447	FHW301
GWC1448	FHW244
GWC1449	FHW233
GWC1450	FHW235
GWC1451	FHW4157

...POWERTRAIN

FERODO

GWC1452	FHW200
GWC1453	FHW222
GWC1454	FHW236
GWC1455	FHW212
GWC1456	FHW334
GWC1457	FHW4023
GWC1458	FHW221
GWC1459	FHW091
GWC1460	FHW092
GWC1461	FHW4146
GWC1462	FHW4028
GWC1463	FHW4258
GWC1464	FHW4127
GWC1467	FHW421
GWC1468	FHW4111
GWC1469	FHW4106
GWC1502	FHW4348
GWC1511	FHW4228
GWC1512	FHW4272
GWC1523	FHW327
GWC1524	FHW328
GWC1527	FHW030
GWC1530	FHW140
GWC1531	FHW043
GWC1532	FHW044
GWC1533	FHW082
GWC1534	FHW083
GWC1535	FHW4131
GWC1536	FHW4153
GWC1537	FHW4217
GWC1538	FHW4083
GWC1539	FHW195
GWC1540	FHW194
GWC1541	FHW4011
GWC1542	FHW4249
GWC1543	FHW4250
GWC1544	FHW4367
GWC1545	FHW4198
GWC1546	FHW4290
GWC1547	FHW4291
GWC1550	FHW4170
GWC1551	FHW4163
GWC1554	FHW4109
GWC1555	FHW4370
GWC1557	FHW197
GWC1558	FHW196
GWC1560	FHW4227
GWC1561	FHW199
GWC1562	FHW198
GWC1565	FHW047
GWC1566	FHW045
GWC1567	FHW048
GWC1569	FHW046
GWC1570	FHW072
GWC1571	FHW073
GWC1572	FHW064
GWC1573	FHW065
GWC1574	FHW063

...POWERTRAIN

FERODO

GWC1575	FHW062
GWC1576	FHW4043
GWC1577	FHW4029
GWC1578	FHW086
GWC1579	FHW087
GWC1580	FHW103
GWC1581	FHW102
GWC1582	FHW068
GWC1583	FHW069
GWC1584	FHW088
GWC1585	FHW090
GWC1586	FHW347
GWC1587	FHW346
GWC1588	FHW188
GWC1589	FHW187
GWC1592	FHW4328
GWC1593	FHW4326
GWC1595	FHW4238
GWC1597	FHW4187
GWC1625	FHW4366
GWC1633	FHW059
GWC1636	FHW4061
GWC1713	FHW4094
GWC1714	FHW4102
GWC1715	FHW4060
GWC1718	FHW4090
GWC1719	FHW4116
GWC1720	FHW4168
GWC1721	FHW4156
GWC1723	FHW4306
GWC1724	FHW4129
GWC1725	FHW4056
GWC1727	FHW4191
GWC1728	FHW4143
GWC1729	FHW4132
GWC1730	FHW124
GWC1733	FHW104
GWC1734	FHW015
GWC1735	FHW016
GWC1736	FHW427
GWC1737	FHW431
GWC1738	FHW101
GWC1739	FHW056
GWC1740	FHW057
GWC1741	FHW039
GWC1742	FHW040
GWC1743	FHW149
GWC1745	FHW105
GWC1746	FHW036
GWC1747	FHW037
GWC1748	FHW035
GWC1749	FHW052
GWC1750	FHW121
GWC1751	FHW122
GWC1752	FHW053
GWC1753	FHW325
GWC1754	FHW054
GWC1757	FHW138

...POWERTRAIN

FERODO

GWC1758	FHW139
GWC1759	FHW213
GWC1760	FHW216
GWC1761	FHW051
GWC1763	FHW4039
GWC1765	FHW4295
GWC1766	FHW002
GWC1770	FHW4317
GWC1771	FHW4068
GWC1772	FHW4092
GWC1774	FHW313
GWC1775	FHW177
GWC1776	FHW176
GWC1777	FHW4218
GWC1783	FHW4184
GWC1784	FHW4288
GWC1786	FHW4024
GWC1789	FHW4174
GWC1790	FHW4144
GWC1791	FHW4164
GWC1793	FHW207
GWC1794	FHW077
GWC1795	FHW023
GWC1796	FHW008
GWC1797	FHW042
GWC1798	FHW4209
GWC1800	FHW4229
GWC1811	FHW055
GWC1813	FHW038
GWC1815	FHW152
GWC1817	FHW4207
GWC1818	FHW4344
GWC1819	FHW019
GWC1820	FHW337
GWC1821	FHW093
GWC1822	FHW153
GWC1824	FHW027
GWC1825	FHW338
GWC1826	FHW116
GWC1827	FHW117
GWC1829	FHW131
GWC1830	FHW133
GWC1831	FHW134
GWC1832	FHW113
GWC1833	FHW107
GWC1835	FHW098
GWC1836	FHW099
GWC1838	FHW120
GWC1839	FHW128
GWC1842	FHW041
GWC1843	FHW021
GWC1844	FHW228
GWC1845	FHW318
GWC1846	FHW013
GWC1847	FHW4139
GWC1848	FHW4305
GWC1849	FHW4150
GWC1851	FHW004

COMPETITOR INTERCHANGE

...POWERTRAIN

FERODO

GWC1852	FHW005
GWC1853	FHW010
GWC1854	FHW100
GWC1855	FHW026
GWC1856	FHW4140
GWC1857	FHW4265
GWC1859	FHW130
GWC1860	FHW129
GWC1861	FHW169
GWC1862	FHW168
GWC1873	FHW192
GWC1874	FHW191
GWC1875	FHW335
GWC1876	FHW106
GWC1878	FHW336
GWC1879	FHW135
GWC1880	FHW4084
GWC1881	FHW4080
GWC1882	FHW4128
GWC1883	FHW229
GWC1884	FHW4145
GWC1885	FHW4004
GWC1886	FHW227
GWC1888	FHW4013
GWC1908	FHW308
GWC1915	FHW4307
GWC1916	FHW4308
GWC1917	FHW160
GWC1918	FHW159
GWC1919	FHW161
GWC1920	FHW4194
GWC1921	FHW4311
GWC1922	FHW4300
GWC1923	FHW4309
GWC1924	FHW4045
GWC1925	FHW4052
GWC1926	FHW158
GWC1928	FHW305
GWC1929	FHW304
GWC1930	FHW4161
GWC1931	FHW224
GWC1932	FHW4334
GWC1933	FHW4247
GWC1936	FHW4138
GWC1938	FHW4021
GWC1939	FHW4361
GWC1940	FHW4362
GWC1944	FHW358
GWC1945	FHW419
GWC1948	FHW4110
GWC1950	FHW307
GWC1955	FHW4350
GWC1956	FHW4257
GWC1957	FHW4347
GWC1959	FHW203
GWC1960	FHW4222
GWC1961	FHW182
GWC1962	FHW4345

...POWERTRAIN

FERODO

GWC1963	FHW4346
GWC1965	FHW349
GWC1966	FHW348
GWC1969	FHW4020
GWC1970	FHW4235
GWC1971	FHW4236
GWC1972	FHW4234
GWC1973	FHW4038
GWC1978	FHW4055
GWC1979	FHW4118
GWC1980	FHW4275
GWC1981	FHW4232
GWC1982	FHW354
GWC1983	FHW357
GWC1984	FHW4205
GWC1985	FHW4086
GWC1986	FHW406
GWC1987	FHW407
GWC1988	FHW342
GWC1991	FHW323
GWC1992	FHW403
GWC1993	FHW359
GWC1994	FHW425
GWC1995	FHW429
GWC1996	FHW339
GWC1997	FHW4075
GWC1998	FHW411
GWC1999	FHW412
GWC2000	FHW4252
GWC2001	FHW4212
GWC2002	FHW4112
GWC2003	FHW4155
GWC2004	FHW4036
GWC2005	FHW423
GWC2006	FHW422
GWC2007	FHW4179
GWC2008	FHW4180
GWC2011	FHW4363
GWC2012	FHW4364
GWC2015	FHW4166
GWC2016	FHW4233
GWC2017	FHW4371
GWC2018	FHW343
GWC2019	FHW362
GWC2020	FHW4242
GWC2021	FHW4260
GWC2022	FHW4076
GWC2023	FHW302
GWC303	FHW4352
GWC304	FHW4147
GWC305	FHW4173
GWC306	FHW4248
GWC516	FHW4022
GWC720	FHW4274
GWC721	FHW4273
GWC722	FHW4010
PHBM108	FHM1109
PHBM109	FHM626

...POWERTRAIN

FERODO

PHBM117	FHM655
PHBM12	FHM589
PHBM123	FHM1125
PHBM124	FHM646
PHBM125	FHM647
PHBM126	FHM1240
PHBM129	FHM1243
PHBM13	FHM1025
PHBM130	FHM1046
PHBM131	FHM1121
PHBM132	FHM649
PHBM133	FHM1047
PHBM147	FHM526
PHBM148	FHM585
PHBM151	FHM625
PHBM159	FHM1245
PHBM16	FHM602
PHBM162	FHM567
PHBM163	FHM569
PHBM164	FHM1004
PHBM165	FHM1119
PHBM169	FHM1004
PHBM18	FHM1006
PHBM19	FHM1006
PHBM2	FHM1185
PHBM22	FHM585
PHBM23	FHM504
PHBM24	FHM1031
PHBM25	FHM536
PHBM26	FHM1124
PHBM27	FHM1029
PHBM3	FHM530
PHBM30	FHM500
PHBM33	FHM525
PHBM35	FHM639
PHBM36	FHM522
PHBM37	FHM1034
PHBM4	FHM1164
PHBM41	FHM586
PHBM42	FHM525
PHBM48	FHM1098
PHBM49	FHM1060
PHBM52	FHM1242
PHBM54	FHM1239
PHBM55	FHM578
PHBM56	FHM1071
PHBM57	FHM541
PHBM58	FHM543
PHBM60	FHM1241
PHBM63	FHM625
PHBM65	FHM1016
PHBM68	FHM640
PHBM69	FHM1046
PHBM71	FHM1079
PHBM73	FHM560
PHBM74	FHM571
PHBM8	FHM1244
PHBM81	FHM1174

...POWERTRAIN

FERODO

PHBM84	FHM526
PHCM12	FHC5042
PHCM7	FHC5084
PHCM9	FHC5043
PHSC13	FHC6068
PHSC15	FHC6043
PHSC16	FHC6007
PHSC17	FHC6004
PHSC18	FHC6015
PHSC2	FHC6022
PHSC5	FHC6105
PHWC 107LH	FHW193
PHWC1	FHW4140
PHWC10	FHW4272
PHWC100LH	FHW129
PHWC100RH	FHW130
PHWC101	FHW4305
PHWC102	FHW011
PHWC103	FHW158
PHWC104RH	FHW4339
PHWC105	FHW145
PHWC106	FHW150
PHWC108LH	FHW4248
PHWC108RH	FHW4173
PHWC109	FHW105
PHWC11	FHW4344
PHWC110LH	FHW093
PHWC110RH	FHW093
PHWC111LH	FHW121
PHWC111RH	FHW122
PHWC112	FHW228
PHWC113LH	FHW4352
PHWC113RH	FHW4147
PHWC114	FHW054
PHWC115	FHW216
PHWC116	FHW4013
PHWC117LH	FHW4351
PHWC117RH	FHW4211
PHWC119	FHW4022
PHWC12	FHW4257
PHWC120	FHW021
PHWC121	FHW041
PHWC127	FHW4288
PHWC129	FHW4316
PHWC13	FHW4061
PHWC130	FHW4317
PHWC131LH	FHW4068
PHWC131RH	FHW4092
PHWC132	FHW313
PHWC133LH	FHW177
PHWC133RH	FHW176
PHWC137	FHW4218
PHWC138LH	FHW182
PHWC138RH	FHW181
PHWC14	FHW4060
PHWC140LH	FHW182
PHWC143LH	FHW4318
PHWC143RH	FHW4319

COMPETITOR INTERCHANGE

...POWERTRAIN

FERODO

PHWC144	FHW4010
PHWC145	FHW4130
PHWC147LH	FHW4285
PHWC15	FHW093
PHWC151	FHW4184
PHWC155	FHW4174
PHWC160	FHW042
PHWC161	FHW023
PHWC163	FHW185
PHWC166LH	FHW015
PHWC166RH	FHW016
PHWC167	FHW077
PHWC169	FHW005
PHWC17	FHW338
PHWC171	FHW149
PHWC172	FHW008
PHWC173	FHW4139
PHWC174	FHW4150
PHWC175	FHW4129
PHWC177	FHW4328
PHWC178	FHW4326
PHWC179LH	FHW056
PHWC179RH	FHW057
PHWC18	FHW4347
PHWC180	FHW030
PHWC181	FHW192
PHWC182	FHW191
PHWC183	FHW106
PHWC185	FHW093
PHWC186	FHW027
PHWC187	FHW338
PHWC188LH	FHW138
PHWC188RH	FHW139
PHWC190	FHW201
PHWC191	FHW202
PHWC192	FHW4148
PHWC196LH	FHW4159
PHWC196RH	FHW4200
PHWC197	FHW4081
PHWC199	FHW4256
PHWC19LH	FHW4345
PHWC19RH	FHW4346
PHWC2	FHW027
PHWC20	FHW026
PHWC200	FHW4031
PHWC201	FHW4039
PHWC202LH	FHW184
PHWC202RH	FHW183
PHWC203	FHW035
PHWC204LH	FHW427
PHWC204RH	FHW431
PHWC205LH	FHW4198
PHWC205RH	FHW4367
PHWC206LH	FHW4250
PHWC206RH	FHW4249
PHWC207	FHW156
PHWC208LH	FHW219
PHWC208RH	FHW220

...POWERTRAIN

FERODO

PHWC21	FHW098
PHWC210LH	FHW043
PHWC210RH	FHW044
PHWC211LH	FHW090
PHWC211RH	FHW088
PHWC212LH	FHW068
PHWC212RH	FHW069
PHWC213LH	FHW089
PHWC213RH	FHW074
PHWC214	FHW101
PHWC217LH	FHW328
PHWC217RH	FHW327
PHWC218	FHW140
PHWC22	FHW4350
PHWC220LH	FHW4210
PHWC220RH	FHW4197
PHWC222LH	FHW072
PHWC222RH	FHW073
PHWC226LH	FHW062
PHWC226RH	FHW063
PHWC228LH	FHW196
PHWC228RH	FHW197
PHWC229LH	FHW198
PHWC229RH	FHW199
PHWC232	FHW4191
PHWC233	FHW215
PHWC234LH	FHW045
PHWC234RH	FHW046
PHWC235LH	FHW047
PHWC235RH	FHW048
PHWC236LH	FHW4029
PHWC236RH	FHW4043
PHWC237LH	FHW075
PHWC237RH	FHW076
PHWC23LH	FHW331
PHWC23RH	FHW4355
PHWC241LH	FHW082
PHWC241RH	FHW083
PHWC242	FHW194
PHWC243	FHW195
PHWC244	FHW4011
PHWC245	FHW223
PHWC246	FHW217
PHWC247	FHW218
PHWC25	FHW153
PHWC252	FHW168
PHWC252	FHW169
PHWC254	FHW227
PHWC256	FHW4254
PHWC257	FHW221
PHWC258	FHW053
PHWC259	FHW052
PHWC26	FHW4229
PHWC260	FHW124
PHWC261	FHW091
PHWC262	FHW092
PHWC263	FHW086
PHWC264	FHW087

...POWERTRAIN

FERODO

PHWC265	FHW4131
PHWC267	FHW225
PHWC268	FHW226
PHWC270	FHW155
PHWC271	FHW007
PHWC272	FHW209
PHWC273	FHW210
PHWC274	FHW094
PHWC278	FHW312
PHWC279	FHW4024
PHWC28	FHW318
PHWC280	FHW4005
PHWC282	FHW4144
PHWC283	FHW4164
PHWC284	FHW208
PHWC284	FHW4323
PHWC286	FHW002
PHWC288	FHW4340
PHWC290	FHW170
PHWC294	FHW017
PHWC295	FHW018
PHWC296	FHW103
PHWC297	FHW102
PHWC298	FHW090
PHWC299	FHW088
PHWC3	FHW161
PHWC30	FHW113
PHWC302	FHW4182
PHWC303	FHW307
PHWC304	FHW4149
PHWC305	FHW4221
PHWC306	FHW4087
PHWC307	FHW4366
PHWC309	FHW4286
PHWC31	FHW4244
PHWC311	FHW4217
PHWC313	FHW4287
PHWC314	FHW4189
PHWC315	FHW4325
PHWC317	FHW059
PHWC325	FHW214
PHWC326	FHW244
PHWC327	FHW233
PHWC328	FHW235
PHWC329	FHW302
PHWC32LH	FHW4308
PHWC32RH	FHW4307
PHWC33	FHW010
PHWC336	FHW4291
PHWC337	FHW4290
PHWC34	FHW152
PHWC343	FHW4267
PHWC349	FHW4134
PHWC353	FHW4293
PHWC355	FHW4190
PHWC356	FHW213
PHWC357	FHW188
PHWC358	FHW187

...POWERTRAIN

FERODO

PHWC35LH	FHW4102
PHWC35RH	FHW4094
PHWC364	FHW4177
PHWC366	FHW4099
PHWC367	FHW005
PHWC368	FHW010
PHWC369	FHW4003
PHWC36LH	FHW4151
PHWC36RH	FHW4126
PHWC370	FHW213
PHWC371	FHW333
PHWC374	FHW4153
PHWC375	FHW4217
PHWC376	FHW038
PHWC377	FHW4146
PHWC378	FHW4028
PHWC379	FHW4220
PHWC38	FHW4194
PHWC380	FHW4219
PHWC383	FHW4080
PHWC384	FHW4128
PHWC385	FHW4145
PHWC386	FHW4046
PHWC387	FHW405
PHWC388	FHW4028
PHWC389	FHW4146
PHWC390	FHW222
PHWC391	FHW237
PHWC392	FHW238
PHWC393	FHW231
PHWC394	FHW232
PHWC396	FHW211
PHWC398	FHW229
PHWC4	FHW4228
PHWC40	FHW4309
PHWC400	FHW4004
PHWC401	FHW4050
PHWC402	FHW4247
PHWC403	FHW4334
PHWC404	FHW4320
PHWC405	FHW159
PHWC406	FHW160
PHWC407	FHW4345
PHWC408	FHW4346
PHWC409	FHW331
PHWC41	FHW4226
PHWC410	FHW4355
PHWC411	FHW4308
PHWC412	FHW4307
PHWC413	FHW4102
PHWC414	FHW4094
PHWC415	FHW4151
PHWC416	FHW4126
PHWC417	FHW329
PHWC418	FHW330
PHWC419	FHW4314
PHWC42	FHW4348
PHWC420	FHW4313

COMPETITOR INTERCHANGE

...POWERTRAIN

FERODO

PHWC421	FHW4273
PHWC423	FHW134
PHWC424	FHW133
PHWC425	FHW128
PHWC426	FHW131
PHWC427	FHW116
PHWC428	FHW117
PHWC429	FHW4296
PHWC43	FHW120
PHWC430	FHW4253
PHWC431	FHW4271
PHWC432	FHW4269
PHWC437	FHW036
PHWC438	FHW037
PHWC439	FHW039
PHWC440	FHW040
PHWC441	FHW4116
PHWC442	FHW4090
PHWC443	FHW4156
PHWC444	FHW4168
PHWC447	FHW4132
PHWC448	FHW4143
PHWC449	FHW129
PHWC44LH	FHW330
PHWC44RH	FHW329
PHWC450	FHW130
PHWC451	FHW064
PHWC452	FHW065
PHWC453	FHW4248
PHWC454	FHW4173
PHWC457	FHW121
PHWC458	FHW122
PHWC459	FHW4352
PHWC460	FHW4147
PHWC461	FHW4351
PHWC462	FHW4211
PHWC467	FHW4068
PHWC468	FHW4092
PHWC469	FHW177
PHWC47	FHW013
PHWC470	FHW176
PHWC471	FHW182
PHWC472	FHW181
PHWC475	FHW4285
PHWC48	FHW099
PHWC481	FHW015
PHWC482	FHW016
PHWC484	FHW4303
PHWC485	FHW056
PHWC486	FHW057
PHWC487	FHW138
PHWC488	FHW139
PHWC495	FHW4159
PHWC496	FHW4200
PHWC497	FHW184
PHWC498	FHW183
PHWC499	FHW427
PHWC5	FHW337

...POWERTRAIN

FERODO

PHWC500	FHW431
PHWC501	FHW4367
PHWC502	FHW4198
PHWC505	FHW219
PHWC506	FHW220
PHWC507	FHW043
PHWC508	FHW044
PHWC50LH	FHW4314
PHWC50RH	FHW4313
PHWC511	FHW068
PHWC512	FHW069
PHWC513	FHW089
PHWC514	FHW074
PHWC515	FHW4144
PHWC516	FHW4164
PHWC517	FHW328
PHWC518	FHW327
PHWC519	FHW4210
PHWC51LH	FHW4273
PHWC51RH	FHW4274
PHWC520	FHW4197
PHWC521	FHW072
PHWC522	FHW073
PHWC523	FHW062
PHWC524	FHW063
PHWC525	FHW196
PHWC526	FHW197
PHWC527	FHW198
PHWC528	FHW199
PHWC529	FHW045
PHWC52LH	FHW134
PHWC52RH	FHW133
PHWC530	FHW046
PHWC531	FHW047
PHWC532	FHW048
PHWC533	FHW4029
PHWC534	FHW4043
PHWC535	FHW075
PHWC536	FHW076
PHWC537	FHW082
PHWC538	FHW083
PHWC539	FHW334
PHWC53LH	FHW128
PHWC53RH	FHW131
PHWC540	FHW4045
PHWC541	FHW4052
PHWC543	FHW236
PHWC544	FHW4018
PHWC545	FHW322
PHWC54LH	FHW116
PHWC54RH	FHW117
PHWC55	FHW019
PHWC56	FHW4204
PHWC57	FHW107
PHWC58	FHW4295
PHWC60	FHW4225
PHWC61	FHW4299
PHWC62	FHW4300

...POWERTRAIN

FERODO

PHWC63LH	FHW4296
PHWC63RH	FHW4253
PHWC66	FHW4016
PHWC67	FHW051
PHWC68LH	FHW4271
PHWC68RH	FHW4269
PHWC69	FHW034
PHWC6LH	FHW159
PHWC6RH	FHW160
PHWC7	FHW4207
PHWC72LH	FHW4294
PHWC72RH	FHW4222
PHWC73RH	FHW203
PHWC74	FHW104
PHWC75	FHW100
PHWC76	FHW4157
PHWC77	FHW4209
PHWC78	FHW207
PHWC80	FHW4167
PHWC81	FHW190
PHWC82	FHW4224
PHWC83	FHW4077
PHWC84LH	FHW036
PHWC84RH	FHW037
PHWC85LH	FHW039
PHWC85RH	FHW040
PHWC86	FHW055
PHWC87	FHW123
PHWC88	FHW038
PHWC9	FHW004
PHWC90	FHW409
PHWC91	FHW4002
PHWC94LH	FHW4116
PHWC94RH	FHW4090
PHWC95LH	FHW4156
PHWC95RH	FHW4168
PHWC96	FHW4056
PHWC97LH	FHW4191
PHWC98LH	FHW4132
PHWC98RH	FHW4143
PHWC99	FHW171
CMA350005	FHC5082
CMA350007	FHC5090
CMA39804	FHC5105
CMA39836	FHC5106
CMA39903	FHC5107
CMA39913	FHC5104
SC360028	FHC6101
SC37817	FHC6102
SC37828	FHC6112
SC37834	FHC6100
SC37836	FHC6099
SC37920	FHC6098

TD

FERODO

3002	FHW152
3010	FHW168
3011	FHW169
3106	FHW4016
3126	FHW038
3136	FHW224
3150	FHW207
3229	FHW4546
3232	FHW4174
3233	FHW4148
3234	FHW312
3244	FHW4543
3249	FHW4285
3250	FHW4544
3251	FHW4538
3257	FHW4320
3261	FHW4545
3265	FHW4144
3266	FHW4164
3267	FHW203
3268	FHW4547
3274	FHW4092
3275	FHW4068
3280	FHW4177
3281	FHW4548
3285	FHW4549
3286	FHW4324
3287	FHW4550
3288	FHW4551
3297	FHW4167
3298	FHW4077
3339	FHW4539
3340	FHW4540
3343	FHW4189
3358	FHW4290
3359	FHW4291
3362	FHW4293
3369	FHW4154
3370	FHW4121
3399	FHW4191
3400	FHW159
3401	FHW160
3402	FHW161
3442	FHW4347
3443	FHW026
3448	FHW093
3451	FHW4348
3452	FHW337
3453	FHW4201
3454	FHW4228
3456	FHW4272
3460	FHW4346
3461	FHW4345
3463	FHW338
3505	FHW004
3506	FHW429
3508	FHW055
3509	FHW140

COMPETITOR INTERCHANGE

...TD FERODO

3519	FHW051
3520	FHW4254
3523	FHW030
3526	FHW058
3545	FHW021
3551	FHW013
3554	FHW4022
3556	FHW4013
3563	FHW4063
3564	FHW4062
3566	FHW216
3587	FHW4020
3588	FHW193
3630	FHW116
3631	FHW117
3757	FHW134
3758	FHW133
3842	FHW4147
3843	FHW4352
3844	FHW4351
3845	FHW4211
3846	FHW4173
3847	FHW4248
3867	FHW4557
3868	FHW4558
3882	FHW4318
3883	FHW4319
3884	FHW4316
3886	FHW4317
3982	FHW4566
3983	FHW4567
3984	FHW4570
3985	FHW208
3986	FHW4370
4005	FHW4534
4006	FHW4535
4007	FHW4536
4008	FHW4537
4053	FHW4553
4054	FHW4554
4061	FHW4118
4411	FHW195
4413	FHW4568
4414	FHW4569
4462	FHW4565
4464	FHW4559
4844	FHW4145
4845	FHW4128
4846	FHW4080
4847	FHW4084
4848	FHW4152
4849	FHW4165
5018	FHM1005
5074	FHM1176
5076	FHM1253
5086	FHM1103
5156	FHM1085
5161	FHM1000

...TD FERODO

5177	FHM1036
5206	FHM1002
5217	FHM1007
5223	FHM612
5224	FHM585
5234	FHM1263
5236	FHM558
5240	FHM1004
5242	FHM557
5244	FHM567
5245	FHM556
5247	FHM1262
5254	FHM570
5258	FHM541
5260	FHM1044
5271	FHM681
5279	FHM606
5280	FHM1167
5283	FHM1101
5284	FHM686
5341	FHM1163
5429	FHM578
5440	FHM1164
5444	FHM602
5447	FHM1185
5493	FHM695
5774	FHM1140
7111	FHC5042
7153	FHC5056
7154	FHC5103
7155	FHC5152
7156	FHC5029
7157	FHC5022
7158	FHC5019
7203	FHC5026
7204	FHC5073
7207	FHC5003
7211	FHC5011
7214	FHC5017
7220	FHC5028
7221	FHC5025
7600	FHC5085
7601	FHC5086
7609	FHC5100
7610	FHC5099
7800	FHC5043
7810	FHC5098
9116	FHC6009
9122	FHC6000
9200	FHC6041
9201	FHC6008
9203	FHC6007
9207	FHC6017
9209	FHC6014
9213	FHC6013
9214	FHC6071
9215	FHC6034
9217	FHC6066

...TD FERODO

9218	FHC6072
9220	FHC6048
9221	FHC6090
9223	FHC6053
9224	FHC6044
9225	FHC6010
9226	FHC6011
9230	FHC6110
9328	FHC6163
9800	FHC6022
9806	FHC6081
9808	FHC6082
9809	FHC6159
9810	FHC6083
9814	FHC6055
3450/4401	FHW027
4024/4026	FHW4219
4025/4027	FHW4220
4459/3348	FHW4081
5001/5113	FHM1032
5208/ 5202	FHM576
7120/7206	FHC5004
9118/ 9119/9120/	
9123/9206	FHC6001
9803/9804	FHC6080

TRW FERODO

301260	FHC5088
301311	FHC5062
301385	FHC5103
301386	FHC5089
311083	FHC6048
311085	FHC6089
311145	FHC6060
12960002	FHM1167
31066005	FHW200
31660074	FHW149
32066109	FHM503
32066115	FHM1259
32066121	FHM1007
32066122	FHM1007
32066143	FHM508
32066179	FHM1264
32066253	FHM607
32066263	FHM509
32066274	FHM509
32066278	FHM1107
32066321	FHM682
32066384	FHM508
32066393	FHM684
32066401	FHM681
32066421	FHM683
32066486	FHM1061
32066531	FHM684
32066560	FHM503
32066574	FHM683
32066628	FHM683
32660052	FHW004
32660064	FHW010
32660107	FHW098
32660117	FHW122
32660235	FHW052
32660252	FHW120
32660262	FHW116
32660263	FHW117
32660266	FHW121
32660267	FHW122
32660269	FHW113
32660271	FHW123
32660318	FHW100
32660397	FHW325
32660412	FHW054
32660564	FHW055
32660567	FHW017
32660568	FHW018
32660807	FHW140
32660813	FHW213
32660855	FHW138
32660856	FHW139
32660989	FHW219
32660990	FHW220
32661035	FHW4057
32661036	FHW4069
32661157	FHW212
32661169	FHW116

COMPETITOR INTERCHANGE

...TRW		FERODO		...TRW		FERODO		...TRW		FERODO	
32661170	FHW117	32966254	FHM504	32966709	FHW013	32966999	FHC6007				
32661203	FHW140	32966255	FHM576	32966714	FHW4344	32967003	FHM1025				
32661204	FHW055	32966258	FHM1260	32966719	FHM1289	32967006	FHW153				
32661289	FHW062	32966264	FHM1006	32966739	FHM1087	32967009	FHC6008				
32661290	FHW063	32966265	FHM1260	32966740	FHM1101	32967013	FHM581				
32661419	FHW193	32966275	FHM1189	32966742	FHC6014	32967016	FHM596				
32661436	FHW105	32966286	FHW4017	32966745	FHM1006	32967017	FHC5021				
32661539	FHW075	32966318	FHM1257	32966746	FHM1186	32967018	FHC5054				
32661540	FHW076	32966325	FHW158	32966747	FHW409	32967019	FHC6003				
32661541	FHW089	32966328	FHW4044	32966749	FHW317	32967020	FHC6024				
32661542	FHW074	32966329	FHW150	32966754	FHW319	32967028	FHM578				
32661746	FHW091	32966331	FHW171	32966762	FHM1054	32967032	FHW107				
32661747	FHW092	32966332	FHW4265	32966764	FHM581	32967035	FHM1182				
32661770	FHW211	32966373	FHM1173	32966768	FHM1008	32967043	FHM589				
32661813	FHW222	32966390	FHM1013	32966770	FHM639	32967044	FHW156				
32661834	FHW244	32966394	FHM1259	32966775	FHW4041	32967046	FHM1172				
32661835	FHW233	32966398	FHM576	32966777	FHM1187	32967047	FHC5017				
32661836	FHW235	32966413	FHC5026	32966781	FHW155	32967048	FHW124				
32661838	FHW212	32966426	FHW010	32966782	FHW4295	32967052	FHM522				
32661839	FHW149	32966441	FHW4031	32966793	FHW4339	32967054	FHM585				
32661840	FHW213	32966449	FHC6025	32966799	FHW4047	32967055	FHW170				
32661841	FHW200	32966486	FHW4009	32966816	FHM500	32967057	FHC6008				
32661916	FHW321	32966487	FHW4014	32966817	FHM501	32967059	FHM592				
32661918	FHW334	32966489	FHW152	32966834	FHM528	32967063	FHM1263				
32662046	FHW333	32966490	FHM1034	32966843	FHM530	32967064	FHW4207				
32866006	FHW026	32966491	FHW4059	32966885	FHW005	32967065	FHW4150				
32866008	FHW4272	32966495	FHM519	32966896	FHW128	32967068	FHM504				
32866009	FHW4228	32966498	FHW099	32966899	FHW146	32967070	FHM536				
32866013	FHW337	32966501	FHM1031	32966900	FHW147	32967071	FHM1182				
32866014	FHW093	32966502	FHM1054	32966908	FHC6008	32967074	FHM1012				
32866015	FHW027	32966502	FHW4010	32966912	FHC6032	32967076	FHC5073				
32866018	FHW100	32966503	FHM1290	32966925	FHW053	32967078	FHW013				
32866019	FHW338	32966504	FHM1138	32966926	FHW015	32967082	FHW002				
32866020	FHW213	32966505	FHW4016	32966927	FHW016	32967084	FHW318				
32866030	FHW4011	32966506	FHW4058	32966928	FHM1169	32967086	FHW4139				
32866031	FHW195	32966507	FHW4064	32966931	FHW131	32967088	FHW030				
32966004	FHW317	32966508	FHM1089	32966933	FHW145	32967093	FHC5029				
32966009	FHW4104	32966509	FHC5084	32966935	FHM1164	32967119	FHW039				
32966011	FHW099	32966512	FHW4340	32966938	FHM527	32967120	FHW040				
32966027	FHC5076	32966536	FHW148	32966940	FHM1182	32967140	FHC6027				
32966049	FHM1168	32966542	FHW4000	32966941	FHW128	32967142	FHC5035				
32966065	FHM1015	32966543	FHW4001	32966942	FHM1029	32967145	FHW4120				
32966080	FHW4333	32966558	FHC6032	32966943	FHM534	32967151	FHW034				
32966081	FHW4266	32966563	FHW4005	32966944	FHM1029	32967154	FHW207				
32966082	FHW4245	32966591	FHW162	32966946	FHW038	32967160	FHM590				
32966089	FHC6017	32966592	FHM524	32966947	FHW007	32967162	FHM1028				
32966096	FHW319	32966593	FHW124	32966960	FHM656	32967169	FHW007				
32966127	FHM571	32966598	FHC6023	32966961	FHW4157	32967172	FHW019				
32966129	FHM515	32966601	FHM1021	32966962	FHW129	32967173	FHM541				
32966133	FHM1257	32966609	FHM1012	32966963	FHW130	32967175	FHM543				
32966143	FHM1044	32966610	FHW099	32966971	FHM589	32967179	FHM537				
32966172	FHC6017	32966626	FHM1010	32966981	FHC5006	32967185	FHW228				
32966192	FHM1003	32966627	FHW4039	32966984	FHW133	32967192	FHM1016				
32966223	FHC6018	32966637	FHW216	32966989	FHW134	32967197	FHM631				
32966225	FHC5070	32966671	FHW4035	32966992	FHM1009	32967198	FHM1243				
32966230	FHW4051	32966697	FHM1179	32966994	FHW309	32967199	FHM1093				
32966231	FHW011	32966704	FHC5073	32966995	FHW4044	32967200	FHW4060				
32966233	FHM596	32966707	FHW002	32966998	FHM1013	32967207	FHW4102				

COMPETITOR INTERCHANGE

...TRW		FERODO		...TRW		FERODO		...TRW		FERODO	
32967208	FHW4094	32967371	FHW057	32967477	FHM567	32967575	FHM1126				
32967214	FHC5026	32967376	FHC6006	32967478	FHM1119	32967583	FHW084				
32967217	FHC6016	32967385	FHW346	32967479	FHM1066	32967584	FHW085				
32967225	FHM1030	32967386	FHW347	32967480	FHC5005	32967585	FHM637				
32967226	FHM558	32967388	FHM1117	32967482	FHW106	32967590	FHW4098				
32967227	FHM560	32967397	FHW077	32967483	FHM606	32967595	FHM1125				
32967228	FHM528	32967400	FHM625	32967484	FHM1040	32967597	FHM1002				
32967231	FHM556	32967401	FHW427	32967485	FHW082	32967601	FHM647				
32967232	FHM557	32967402	FHW431	32967486	FHW083	32967607	FHW307				
32967233	FHW041	32967403	FHW202	32967487	FHW196	32967608	FHM657				
32967234	FHW003	32967404	FHW4182	32967488	FHW197	32967609	FHW236				
32967235	FHW021	32967407	FHW008	32967489	FHW198	32967610	FHW214				
32967236	FHW4305	32967408	FHW023	32967490	FHW199	32967611	FHW217				
32967238	FHM1262	32967409	FHW192	32967491	FHW427	32967612	FHW223				
32967243	FHM555	32967410	FHW191	32967492	FHW431	32967613	FHW218				
32967244	FHM1261	32967411	FHW043	32967497	FHM1091	32967615	FHW094				
32967246	FHM525	32967412	FHW044	32967498	FHM638	32967616	FHW301				
32967247	FHM1230	32967413	FHW4029	32967499	FHM626	32967617	FHM623				
32967253	FHM1260	32967414	FHW4043	32967501	FHW045	32967618	FHM622				
32967259	FHM602	32967415	FHW4210	32967502	FHW046	32967619	FHM1014				
32967260	FHM1242	32967416	FHW4197	32967503	FHW178	32967620	FHW210				
32967262	FHW185	32967417	FHW068	32967504	FHW179	32967621	FHW209				
32967265	FHC5051	32967418	FHW069	32967505	FHW047	32967622	FHM658				
32967266	FHW4133	32967419	FHW064	32967506	FHW048	32967623	FHM1244				
32967268	FHC6050	32967420	FHW065	32967508	FHW215	32967624	FHM1079				
32967269	FHC6004	32967426	FHM1001	32967509	FHW4003	32967625	FHM662				
32967272	FHW207	32967427	FHM649	32967511	FHW183	32967627	FHM1020				
32967274	FHC6003	32967428	FHM1046	32967512	FHW184	32967628	FHC6050				
32967275	FHC6024	32967429	FHM1121	32967513	FHM627	32967630	FHM1083				
32967279	FHW104	32967430	FHM1047	32967516	FHM1014	32967659	FHM586				
32967280	FHC5003	32967431	FHW201	32967517	FHM646	32967668	FHM570				
32967283	FHW4209	32967432	FHW168	32967518	FHM647	32980002	FHW4149				
32967286	FHM1264	32967433	FHW169	32967527	FHM1060	32980003	FHW4087				
32967288	FHM526	32967434	FHW072	32967528	FHM620	32980024	FHW4189				
32967289	FHM561	32967435	FHW073	32967529	FHM1125	32980033	FHW4192				
32967290	FHM525	32967437	FHW4119	32967531	FHW103	32980034	FHW4175				
32967291	FHM568	32967438	FHW4007	32967532	FHW102	32980096	FHW4086				
32967292	FHM640	32967439	FHW4008	32967533	FHW086	32980102	FHW4227				
32967293	FHC6023	32967440	FHW4006	32967534	FHW087	32986215	FHM1153				
32967294	FHC5019	32967444	FHC5087	32967535	FHW090	34374623	FHW4216				
32967295	FHW058	32967445	FHM1134	32967536	FHW088	34968855	FHW4254				
32967308	FHW4157	32967448	FHW202	32967537	FHC6013	39966991	FHM1022				
32967313	FHW156	32967449	FHC5000	32967539	FHM1004	47967851	FHC6055				
32967315	FHM1133	32967450	FHM636	32967540	FHM571	64034064	FHM501				
32967316	FHM1000	32967452	FHW188	32967541	FHC6002	64066195	FHC6043				
32967318	FHM522	32967453	FHW187	32967545	FHC5031	64068382	FHC5077				
32967319	FHM1021	32967455	FHW101	32967546	FHC5023	64068606	FHC5043				
32967327	FHM612	32967456	FHM1098	32967548	FHC5068	64068830	FHC5098				
32967332	FHM554	32967458	FHW306	32967549	FHC5060	64068893	FHC5056				
32967337	FHW059	32967459	FHW4341	32967550	FHC6010	64673049	FHW4257				
32967358	FHM507	32967461	FHM1034	32967551	FHC5004	64673476	FHW4347				
32967360	FHM1009	32967463	FHM1177	32967554	FHC6001	64674597	FHW4353				
32967361	FHM1029	32967464	FHM1002	32967567	FHM686	64675479	FHW4181				
32967362	FHM534	32967465	FHW042	32967569	FHM585	64675534	FHW4201				
32967365	FHM558	32967466	FHM1177	32967570	FHM1077	64675855	FHW4348				
32967366	FHM560	32967473	FHC5112	32967572	FHM1060	64677515	FHW337				
32967369	FHW040	32967474	FHM1091	32967573	FHM1076	64677521	FHW027				
32967370	FHW056	32967476	FHM569	32967574	FHM1265	64677523	FHW093				

COMPETITOR INTERCHANGE

...TRW		FERODO		...TRW		FERODO		...TRW		FERODO	
64677551	FHW026	67660104	FHW330	68966050	FHW4129	74967483	FHW155				
64677871	FHW4349	67660105	FHW329	68966051	FHW4306	74967491	FHW4169				
64678676	FHW4272	67660105	FHW330	68966052	FHW4206	74967528	FHC6088				
64678800	FHW4345	67660111	FHW036	68966053	FHW4156	74967535	FHM1067				
64678801	FHW4346	67660112	FHW037	68966054	FHW4168	74967555	FHC6086				
64678802	FHW4347	67660115	FHW035	68966057	FHW4132	74967568	FHM1246				
64679171	FHW4228	67660155	FHW330	68966058	FHW4143	74967587	FHW4321				
64957500	FHW4000	67660156	FHW329	74066044	FHC5067	74967588	FHW4322				
64957503	FHW4001	67660157	FHW4271	74066110	FHC6068	74967591	FHC5069				
64967032	FHW4312	67660158	FHW4269	74066142	FHM524	74967629	FHW4109				
64967033	FHW4183	67660159	FHW331	74066166	FHC6087	74967639	FHW203				
64967057	FHW4254	67660160	FHW4355	74066197	FHM1185	74967662	FHW4184				
64967061	FHW4097	67660206	FHW328	74066200	FHM578	74967679	FHW4187				
64967076	FHW4022	67660207	FHW327	74066220	FHM582	74967680	FHW4188				
64967079	FHW4062	67660248	FHW335	74066247	FHM1192	74967750	FHW4189				
64967257	FHM1170	67660249	FHW135	74066268	FHM519	74967807	FHC6080				
64967392	FHM1026	67660250	FHW336	74066315	FHM1239	74967819	FHW4224				
64967405	FHW147	67660251	FHW405	74066355	FHM1071	74967903	FHW4167				
64967406	FHW146	67660262	FHW4011	74066420	FHM1240	74967915	FHW203				
64967464	FHW4142	67660264	FHW194	74066619	FHM1241	74967916	FHW4217				
64967483	FHW4037	67660266	FHW195	74966013	FHC6088	74968010	FHC6081				
64967502	FHW152	67660316	FHW337	74966027	FHW4327	74968029	FHC6055				
64967507	FHW4058	67966038	FHC6079	74966078	FHW4317	74968030	FHC6073				
64967513	FHW4013	67966130	FHW4307	74966081	FHW4223	74968039	FHW4267				
64967525	FHW051	67966131	FHW4308	74966110	FHW4148	74968057	FHW190				
64967541	FHW318	67966134	FHW4229	74966161	FHW4177	74968058	FHW4293				
64967550	FHW025	67966136	FHW4171	74966166	FHW4246	74968114	FHW4144				
64967555	FHW4216	67966137	FHW4226	74966268	FHW4318	74968115	FHW4164				
64967575	FHW4208	67966138	FHW4122	74966344	FHC6082	74968125	FHW312				
64967578	FHW4120	67966139	FHW161	74966349	FHC6085	74968127	FHW313				
64967586	FHW4208	67966142	FHW4313	74966361	FHW4077	74968162	FHW4174				
64967599	FHC5076	67966143	FHW4314	74966372	FHW4178	74968175	FHW4068				
64967635	FHM1034	67966146	FHW4194	74966374	FHC5086	74968176	FHW4092				
64967636	FHM1136	67966149	FHW4126	74966444	FHW4287	74968177	FHW177				
64967637	FHM1032	67966150	FHW4151	74966471	FHC6084	74968178	FHW176				
64967763	FHW4015	67966151	FHW4274	74966553	FHC6075	74968187	FHW182				
64967768	FHW4012	67966153	FHW4350	74966733	FHW313	74968187	FHW4294				
64967885	FHM1034	67966154	FHW160	74966734	FHW4223	74968188	FHW181				
64967912	FHW4049	67966155	FHW159	74966757	FHM530	74968188	FHW4222				
64967956	FHM1018	67966156	FHW4303	74966883	FHC6080	74968217	FHW4365				
64968448	FHW4319	67966157	FHW4102	74966886	FHC6080	74968296	FHW4191				
64968456	FHM1092	67966158	FHW4094	74966888	FHC5086	74968360	FHW4320				
64968459	FHM541	67966160	FHW4273	74966983	FHW4320	74968423	FHW4237				
64968482	FHW095	67966161	FHM1090	74966996	FHW4325	74968443	FHW4366				
64968483	FHW107	67966163	FHW4046	74967066	FHW4130	74968466	FHC6071				
64968484	FHW4204	67966164	FHW4002	74967361	FHC6055	74968473	FHC6066				
64968545	FHW4324	67966165	FHW335	74967420	FHW156	74968513	FHW4130				
64968551	FHC6083	67966166	FHW135	74967423	FHM1138	74968524	FHC6048				
64968643	FHM1056	67966166	FHW338	74967424	FHC5044	74968535	FHM1158				
64968645	FHM1184	67966167	FHW336	74967429	FHM1017	74968557	FHW4221				
65967636	FHM1136	68660386	FHW149	74967432	FHW4027	74968586	FHW4203				
67660048	FHW338	68660389	FHW149	74967433	FHC5065	74968590	FHC6067				
67660068	FHW4140	68660437	FHW4249	74967434	FHC5034	74968600	FHW409				
67660071	FHW4061	68660438	FHW4250	74967437	FHC5040	74968650	FHM1290				
67660084	FHW105	68660646	FHW4198	74967440	FHM1075	74968709	FHW4218				
67660102	FHW331	68660647	FHW4367	74967441	FHW4169	74968717	FHW4190				
67660103	FHW4355	68966048	FHW4060	74967454	FHM1011	74968719	FHC5075				
67660104	FHW329	68966049	FHW4056	74967458	FHW4207	74968725	FHW4328				

COMPETITOR INTERCHANGE

...TRW		FERODO		...TRW		FERODO		...TRW		FERODO	
74968726	FHW4326	2119100029	FHC5084	2676966015	FHW4016	2676966104	FHM555				
74968844	FHC6065	2119100033	FHM1023	2676966016	FHW155	2676966107	FHW170				
74968846	FHW4138	2119100035	FHM1089	2676966018	FHW025	2676966108	FHW039				
74968855	FHC6086	2119100036	FHM1034	2676966024	FHW4344	2676966109	FHW040				
74968867	FHM1255	2119100037	FHM1023	2676966025	FHW4207	2676966110	FHW4061				
74968889	FHC5102	2125100021	FHC5098	2676966032	FHW013	2676966111	FHM625				
74968958	FHC5099	2219100002	FHW4216	2676966033	FHW156	2676966113	FHM1016				
74968986	FHW4144	2219100004	FHW152	2676966034	FHW002	2676966114	FHM1001				
74968987	FHW4164	2222100009	FHW152	2676966035	FHM585	2676966115	FHW008				
74969005	FHW4372	2225100103	FHW4211	2676966036	FHM1164	2676966116	FHW023				
74969054	FHC5072	2225100203	FHW4351	2676966037	FHM1124	2676966117	FHW192				
74969062	FHM1250	2228100103	FHW4352	2676966038	FHM525	2676966118	FHW191				
74969069	FHW4288	2228100203	FHW4147	2676966039	FHM1261	2676966131	FHW059				
74969071	FHW4081	2231100102	FHW4173	2676966040	FHM602	2676966132	FHW041				
74969105	FHC6089	2231100202	FHW4248	2676966041	FHW010	2676966133	FHW042				
74969141	FHW4259	2274066199	FHM530	2676966042	FHW004	2676966134	FHW101				
74969151	FHC6094	2632066225	FHM682	2676966043	FHW147	2676966136	FHM1002				
74969186	FHW4286	2632066394	FHM683	2676966044	FHW146	2676966142	FHM646				
74969201	FHW4148	2632660080	FHW098	2676966047	FHM1192	2676966145	FHM571				
74969262	FHW4024	2632660234	FHW120	2676966048	FHM524	2676966146	FHM1119				
74969301	FHW4246	2664066195	FHC6043	2676966052	FHW128	32966498F	FHW099				
74969302	FHW4325	2664677515	FHW337	2676966053	FHW131	32966610K	FHW099				
74969344	FHC6107	2664677521	FHW027	2676966054	FHW021	32967064K	FHW4207				
74969376	FHW4110	2664677523	FHW093	2676966055	FHW003	32967154F	FHW207				
74969482	FHM1245	2664677551	FHW026	2676966056	FHW005	32967272K	FHW207				
74969577	FHW4200	2664678676	FHW4272	2676966057	FHW4157	390014W	FHW4211				
74969578	FHW4159	2664679171	FHW4228	2676966058	FHM1230	390015W	FHW4351				
74969622	FHW4153	2667660060	FHW027	2676966060	FHW150	390072W	FHW4173				
74969623	FHW4131	2667660061	FHW027	2676966061	FHM527	390073W	FHW4248				
74969636	FHW4285	2667660090	FHW337	2676966066	FHW4044	390312W	FHW4345				
74969648	FHW4320	2667660091	FHW337	2676966068	FHM576	390313W	FHW4346				
74969719	FHW4219	2674066268	FHM519	2676966069	FHM525	390360W	FHW4352				
74969722	FHM1248	2674066560	FHM574	2676966072	FHW051	390361W	FHW4147				
74969737	FHW4124	2674066561	FHM695	2676966073	FHW4254	390402W	FHW4244				
74969744	FHW4192	2674066572	FHM694	2676966074	FHW095	64967636K	FHM1136				
74969745	FHW4175	2676066016	FHC5043	2676966075	FHW038	BWA103	FHW003				
74969797	FHW4220	2676066025	FHC6043	2676966077	FHW133	BWA105	FHW4226				
74969798	FHW4239	2676066048	FHM1146	2676966078	FHW134	BWA108	FHW004				
74969810	FHW208	2676066057	FHM1104	2676966079	FHW427	BWA108A	FHW4099				
74969816	FHC6061	2676066063	FHC6062	2676966080	FHW431	BWA109	FHW002				
74969849	FHC6060	2676066072	FHC6108	2676966081	FHM590	BWA129	FHW4018				
76066025	FHC6043	2676066074	FHM1152	2676966082	FHM1133	BWA130	FHW354				
76066063	FHC6062	2676066100	FHC6045	2676966083	FHM568	BWA137	FHW4172				
76660574	FHW4127	2676066109	FHM1180	2676966084	FHM560	BWA138	FHW4020				
76660720	FHW4021	2676066120	FHM1150	2676966085	FHM558	BWA142	FHW4270				
76660882	FHW4146	2676066882	FHW4146	2676966088	FHM1006	BWA144	FHW4052				
1031660074	FHW149	2676660264	FHW4050	2676966089	FHW019	BWA145	FHW4045				
1032660266	FHW121	2676660574	FHW4127	2676966090	FHW015	BWA154	FHW4096				
1032660267	FHW122	2676660720	FHW4021	2676966091	FHW016	BWA155	FHW4114				
1032660271	FHW123	2676660809	FHW4028	2676966092	FHW4109	BWA161	FHW4336				
1032660855	FHW138	2676660977	FHW4258	2676966093	FHM1030	BWB101	FHW4014				
1032660856	FHW139	2676966001	FHM1092	2676966095	FHM640	BWB102	FHW4344				
1032866014	FHW093	2676966002	FHM1168	2676966096	FHM1000	BWB103	FHW104				
1032966598	FHC6023	2676966003	FHM1184	2676966097	FHW427	BWB104	FHW008				
1067660111	FHW036	2676966006	FHW4266	2676966098	FHW431	BWB107	FHW317				
1067660112	FHW037	2676966007	FHW4333	2676966099	FHW104	BWB108	FHW4005				
1074066220	FHM582	2676966008	FHW107	2676966102	FHW202	BWB110	FHW155				
2119100004	FHC5056	2676966009	FHW4245	2676966103	FHW4182	BWB111	FHW005				

COMPETITOR INTERCHANGE

...TRW

FERODO

BWB111A	FHW4033
BWB112	FHW007
BWB113	FHW007
BWB113	FHW4244
BWB115	FHW4183
BWB116	FHW4097
BWB118	FHW4204
BWB130	FHW190
BWB131	FHW4365
BWB138	FHW4124
BWB139	FHW208
BWB140	FHW4006
BWB141	FHW4349
BWB144	FHW331
BWB145	FHW4355
BWB147	FHW4110
BWB148	FHW171
BWB149	FHW4229
BWB150	FHW4046
BWB168	FHW4080
BWB169	FHW4084
BWB170	FHW420
BWC100	FHW4041
BWC104	FHW4171
BWC105	FHW4002
BWC107	FHW010
BWC107A	FHW429
BWC110	FHW4051
BWC111	FHW011
BWC112	FHW013
BWC113	FHW007
BWC114	FHW4139
BWC115	FHW021
BWC116	FHW4305
BWC117	FHW4312
BWC118	FHW4078
BWC120	FHW4013
BWC129	FHW4326
BWC130	FHW4267
BWC134	FHW4366
BWC136	FHW4221
BWC137	FHW4138
BWC138	FHW4370
BWC142	FHW4153
BWC143	FHW4131
BWC147	FHW017
BWC148	FHW018
BWC150	FHW409
BWC151	FHW015
BWC152	FHW016
BWC153	FHW156
BWC154	FHW4207
BWC155	FHW019
BWC156	FHW023
BWC157	FHW192
BWC158	FHW168
BWC159	FHW169
BWC161	FHW183

...TRW

FERODO

BWC162	FHW184
BWC164	FHW4061
BWC171	FHW203
BWC173	FHW4184
BWC174	FHW4224
BWC175	FHW174
BWC175	FHW4167
BWC176	FHW4267
BWC178	FHW4068
BWC179	FHW4092
BWC180	FHW4237
BWC182	FHW409
BWC184	FHW4081
BWC184	FHW4288
BWC186	FHW4024
BWC187	FHW405
BWC188	FHW4272
BWC189	FHW337
BWC190	FHW4257
BWC195	FHW4272
BWC196	FHW330
BWC197	FHW329
BWC199	FHW4348
BWC205	FHW4195
BWC209	FHW4288
BWC210	FHW4002
BWC211	FHW4310
BWC212	FHW4225
BWC214	FHW4291
BWC220	FHW4068
BWC221	FHW4092
BWC223	FHW4155
BWC224	FHW4112
BWC225	FHW4290
BWC227	FHW229
BWC229	FHW4123
BWC230	FHW4212
BWC233	FHW4161
BWC240	FHW4161
BWC243	FHW404
BWC245	FHW4261
BWC246	FHW4262
BWC247	FHW412
BWC248	FHW411
BWC251	FHW4020
BWD100	FHW100
BWD101	FHW026
BWD103	FHW152
BWD104	FHW4064
BWD105	FHW4001
BWD107	FHW319
BWD108	FHW319
BWD108	FHW4295
BWD109	FHW4009
BWD109	FHW4047
BWD110	FHW038
BWD111	FHW4150
BWD112	FHW318

...TRW

FERODO

BWD113	FHW030
BWD113	FHW339
BWD113A	FHW339
BWD114	FHW039
BWD115	FHW040
BWD116	FHW034
BWD118	FHW228
BWD119	FHW041
BWD119A	FHW421
BWD120	FHW4209
BWD121	FHW214
BWD122	FHW191
BWD123	FHW043
BWD124	FHW044
BWD125	FHW4119
BWD126	FHW202
BWD127	FHW306
BWD128	FHW042
BWD129	FHW045
BWD130	FHW046
BWD131	FHW178
BWD132	FHW179
BWD133	FHW047
BWD134	FHW048
BWD135	FHW215
BWD138	FHW4098
BWD139	FHW4149
BWD140	FHW4087
BWD141	FHW4086
BWD144	FHW4345
BWD145	FHW4346
BWD147	FHW4347
BWD150	FHW4216
BWD151	FHW4201
BWD156	FHW026
BWD162	FHW4062
BWD163	FHW4142
BWD167	FHW051
BWD169	FHW025
BWD170	FHW4216
BWD171	FHW4120
BWD175	FHW4319
BWD176	FHW4324
BWD180	FHW4140
BWD181	FHW036
BWD182	FHW037
BWD183	FHW035
BWD184	FHW4271
BWD185	FHW4269
BWD188	FHW328
BWD189	FHW327
BWD193	FHW4122
BWD194	FHW161
BWD195	FHW027
BWD195	FHW336
BWD197	FHW4223
BWD197	FHW4316
BWD200	FHW4177

...TRW

FERODO

BWD201	FHW4318
BWD210	FHW313
BWD211	FHW4130
BWD217	FHW4321
BWD218	FHW4322
BWD225	FHW4293
BWD226	FHW4174
BWD227	FHW177
BWD228	FHW176
BWD229	FHW182
BWD229	FHW4294
BWD230	FHW181
BWD230	FHW4222
BWD233	FHW4130
BWD234	FHW4190
BWD235	FHW4328
BWD239	FHW4286
BWD245	FHW4121
BWD245	FHW4192
BWD245	FHW4219
BWD246	FHW4121
BWD247	FHW4154
BWD248	FHW176
BWD249	FHW4353
BWD251	FHW4346
BWD252	FHW4347
BWD260	FHW211
BWD261	FHW4192
BWD262	FHW4175
BWD265	FHW4154
BWD265	FHW4175
BWD265	FHW4220
BWD266	FHW4106
BWD267	FHW4111
BWD268	FHW307
BWD270	FHW4247
BWD271	FHW4334
BWD277	FHW4298
BWD283	FHW038
BWD287	FHW4045
BWD288	FHW4052
BWD289	FHW224
BWD290	FHW177
BWD291	FHW357
BWD292	FHW4128
BWD293	FHW4145
BWD294	FHW4363
BWD295	FHW4364
BWD296	FHW4076
BWD297	FHW4252
BWD298	FHW4185
BWD300	FHW406
BWD301	FHW407
BWD302	FHW425
BWD303	FHW322
BWD304	FHW416
BWD305	FHW417
BWD306	FHW4023

COMPETITOR INTERCHANGE

...TRW

FERODO

BWD307T	FHW416
BWD311	FHW4053
BWD315	FHW4136
BWD316	FHW4093
BWD320	FHW038
BWD321	FHW4268
BWD325	FHW4205
BWD337	FHW4335
BWF100	FHW058
BWF101	FHW4029
BWF102	FHW4043
BWF103	FHW4060
BWF106	FHW4313
BWF107	FHW4314
BWF110	FHW4194
BWF111	FHW4303
BWF112	FHW236
BWF113	FHW4056
BWF115	FHW052
BWF117	FHW054
BWF118	FHW219
BWF118	FHW220
BWF119	FHW219
BWF119	FHW220
BWF120	FHW4057
BWF121	FHW4069
BWF122	FHW055
BWF123	FHW062
BWF124	FHW063
BWF125	FHW075
BWF126	FHW076
BWF127	FHW089
BWF128	FHW074
BWF129	FHW091
BWF130	FHW092
BWF131	FHW4228
BWF132	FHW100
BWF133	FHW195
BWF135	FHW099
BWF136	FHW053
BWF137	FHW217
BWF139	FHW153
BWF142	FHW185
BWF144	FHW207
BWF145	FHW059
BWF145	FHW4004
BWF145A	FHW4004
BWF146	FHW056
BWF147	FHW057
BWF148	FHW346
BWF149	FHW347
BWF150	FHW077
BWF151	FHW068
BWF152	FHW069
BWF153	FHW064
BWF154	FHW065
BWF155	FHW073
BWF156	FHW188

...TRW

FERODO

BWF157	FHW187
BWF158	FHW082
BWF159	FHW083
BWF160	FHW196
BWF161	FHW197
BWF162	FHW198
BWF163	FHW199
BWF164	FHW221
BWF165	FHW4003
BWF166	FHW086
BWF167	FHW087
BWF168	FHW090
BWF169	FHW088
BWF170	FHW084
BWF171	FHW085
BWF172	FHW4228
BWF184	FHW095
BWF191	FHW195
BWF193	FHW093
BWF193	FHW335
BWF195	FHW4132
BWF196	FHW4143
BWF197	FHW4327
BWF198	FHW4317
BWF205	FHW4077
BWF209	FHW4287
BWF222	FHW4217
BWF226	FHW4144
BWF227	FHW4164
BWF230	FHW4320
BWF232	FHW4218
BWF233	FHW4144
BWF234	FHW4164
BWF236	FHW4372
BWF238	FHW4285
BWF240	FHW4239
BWF241	FHW4134
BWF245	FHW334
BWF247	FHW4242
BWF249	FHW4260
BWF250	FHW072
BWF251	FHW098
BWF252	FHW222
BWF253	FHW094
BWF254	FHW301
BWF261	FHW210
BWF262	FHW209
BWF265	FHW170
BWF272	FHW4179
BWF273	FHW4180
BWF278	FHW227
BWF279	FHW302
BWF280	FHW237
BWF281	FHW238
BWF282	FHW231
BWF283	FHW232
BWF286	FHW221
BWF287	FHW348

...TRW

FERODO

BWF288	FHW349
BWF290	FHW358
BWF291	FHW423
BWF292	FHW422
BWF295	FHW4075
BWF296	FHW419
BWF297	FHW4277
BWF298	FHW4276
BWF303	FHW303
BWF305	FHW4113
BWF306	FHW093
BWF307	FHW304
BWF308	FHW415
BWF309	FHW410
BWF310	FHW4030
BWF311	FHW210
BWF312	FHW4082
BWF316	FHW4065
BWF317	FHW4107
BWF319	FHW4055
BWF322	FHW4083
BWF327	FHW4337
BWF328	FHW4338
BWH107	FHW223
BWH108	FHW170
BWH111	FHW4341
BWH114	FHW103
BWH115	FHW102
BWH117	FHW4104
BWH120	FHW4015
BWH130	FHW120
BWH134	FHW116
BWH135	FHW117
BWH136	FHW121
BWH137	FHW122
BWH138	FHW113
BWH139	FHW325
BWH140	FHW138
BWH141	FHW139
BWH142	FHW212
BWH145	FHW140
BWH146	FHW105
BWH148	FHW194
BWH149	FHW4011
BWH151	FHW4333
BWH152	FHW4266
BWH153	FHW4245
BWH158	FHW4059
BWH159	FHW4016
BWH160	FHW4340
BWH162	FHW4000
BWH163	FHW124
BWH164	FHW4035
BWH166	FHW4339
BWH167	FHW123
BWH168	FHW131
BWH169	FHW128
BWH170	FHW4157

...TRW

FERODO

BWH171	FHW129
BWH172	FHW130
BWH173	FHW133
BWH174	FHW134
BWH175	FHW107
BWH182	FHW4157
BWH183	FHW427
BWH184	FHW431
BWH185	FHW4182
BWH186	FHW4210
BWH187	FHW4197
BWH188	FHW201
BWH189	FHW4007
BWH190	FHW4008
BWH191	FHW101
BWH192	FHW106
BWH202	FHW4354
BWH212	FHW4254
BWH213	FHW4022
BWH226	FHW105
BWH231	FHW4011
BWH232	FHW194
BWH235	FHW4126
BWH236	FHW4151
BWH237	FHW4274
BWH238	FHW4309
BWH239	FHW4350
BWH240	FHW4273
BWH241	FHW135
BWH241	FHW338
BWH247	FHW4198
BWH248	FHW4367
BWH255	FHW4129
BWH256	FHW4306
BWH257	FHW4206
BWH266	FHW4148
BWH270	FHW4178
BWH275	FHW4325
BWH277	FHW4109
BWH278	FHW4187
BWH279	FHW4188
BWH287	FHW4191
BWH290	FHW4186
BWH291	FHW4203
BWH295	FHW4325
BWH298	FHW4050
BWH300	FHW4127
BWH302	FHW4146
BWH309	FHW4170
BWH310	FHW4240
BWH311	FHW321
BWH312	FHW4163
BWH319	FHW4199
BWH320	FHW128
BWH373	FHW333
BWH374	FHW359
BWH375	FHW225
BWH376	FHW226

COMPETITOR INTERCHANGE

...TRW

FERODO

BWH377	FHW4137
BWH380	FHW4332
BWH381	FHW342
BWH389	FHW4213
BWH390	FHW4214
BWH391	FHW323
BWH392	FHW403
BWH394	FHW305
BWH395	FHW402
BWH396	FHW401
BWH397	FHW4019
BWK103	FHW193
BWK106	FHW158
BWK109	FHW4009
BWK110	FHW4010
BWK113	FHW216
BWK116	FHW146
BWK117	FHW147
BWK119	FHW145
BWK122	FHW147
BWK124	FHW4049
BWK127	FHW4253
BWK128	FHW4296
BWK129	FHW160
BWK130	FHW159
BWK131	FHW4156
BWK132	FHW4168
BWK140	FHW4246
BWK152	FHW4259
BWK153	FHW4240
BWK154	FHW4200
BWK155	FHW4159
BWK156	FHW4028
BWK157	FHW4307
BWK158	FHW4308
BWK160	FHW4243
BWK161	FHW4196
BWK162	FHW4102
BWK163	FHW4094
BWK180	FHW4373
BWK181	FHW4374
BWK223	FHW362
BWK224	FHW343
BWK225	FHW4331
BWL105	FHW4012
BWL111	FHW200
BWL112	FHW149
BWL115	FHW4017
BWL116	FHW4031
BWL116	FHW4039
BWL117	FHW148
BWL118	FHW4039
BWL119	FHW309
BWL121	FHW4227
BWL124	FHW4211
BWL125	FHW4351
BWL143	FHW4181
BWL149	FHW4037

...TRW

FERODO

BWL165	FHW4116
BWL166	FHW4090
BWL177	FHW4189
BWL186	FHW312
BWL195	FHW4021
BWL201	FHW244
BWL203	FHW4189
BWL204	FHW218
BWL206	FHW4362
BWL207	FHW4361
BWL287	FHW4258
BWL289	FHW4189
BWM100	FHW171
BWN100	FHW4202
BWN101	FHW4249
BWN102	FHW4250
BWN103	FHW213
BWN116	FHW4044
BWN118	FHW213
BWN128	FHW150
BWN131	FHW4215
BWN132	FHW4352
BWN133	FHW4147
BWN155	FHW4027
BWN157	FHW4325
BWN174	FHW4173
BWN175	FHW4248
BWN240	FHW233
BWN243	FHW4058
BWN245	FHW235
BWN351	FHW4369
BWP100	FHW4208
BWP101	FHW4208
PJA102	FHC6056
PJA112	FHC6001
PJC101	FHC6079
PJC109	FHC6074
PJC119	FHC6042
PJC124	FHC6093
PJD101	FHC6050
PJD102	FHC6004
PJD103	FHC6012
PJD106	FHC6044
PJD113	FHC6083
PJD122	FHC6085
PJD127	FHC6086
PJD139	FHC6067
PJD141	FHC6065
PJD142	FHC6086
PJD149	FHC6094
PJD156	FHC6107
PJD162	FHC6053
PJD163	FHC6061
PJD164	FHC6062
PJD165	FHC6082
PJD167	FHC6084
PJD168	FHC6075
PJD170	FHC6099

...TRW

FERODO

PJD229	FHC6033
PJD236	FHC6047
PJD238	FHC6064
PJF100	FHC6010
PJF104	FHC6007
PJF112	FHC6080
PJF115	FHC6055
PJF116	FHC6073
PJF123	FHC6048
PJF128	FHC6089
PJF131	FHC6060
PJF133	FHC6081
PJF134	FHC6071
PJF135	FHC6066
PJH101	FHC6069
PJH102	FHC6022
PJH106	FHC6063
PJH108	FHC6046
PJH109	FHC6016
PJH110	FHC6006
PJH120	FHC6043
PJH141	FHC6087
PJH154	FHC6088
PJH159	FHC6090
PJH168	FHC6043
PJH169	FHC6103
PJH171	FHC6034
PJH173	FHC6015
PJH174	FHC6105
PJH182	FHC6011
PJH188	FHC6045
PJH189	FHC6076
PJK100	FHC6017
PJK102	FHC6008
PJK105	FHC6008
PJK110	FHC6013
PJK113	FHC6002
PJK116	FHC6017
PJL100	FHC6021
PJL102	FHC6037
PJL107	FHC6014
PJL108	FHC6003
PJL109	FHC6024
PJL112	FHC6003
PJL113	FHC6024
PJL140	FHC6068
PJL143	FHC6058
PJL144	FHC6001
PJL159	FHC6000
PJL160	FHC6021
PJL162	FHC6019
PJL163	FHC6001
PJN100	FHC6032
PJN107	FHC6032
PJN108	FHC6025
PJN112	FHC6025
PJN113	FHC6023
PJN116	FHC6018

...TRW

FERODO

PMA138	FHM1266
PMA139	FHM1203
PMA140	FHM1206
PMA141	FHM1190
PMA143	FHM1175
PMA146	FHM1175
PMA147	FHM1219
PMA180	FHM1222
PMA199	FHM662
PMA202	FHM659
PMA203	FHM699
PMA204	FHM1178
PMA206	FHM1110
PMB100	FHM501
PMB102	FHM500
PMB147	FHC5077
PMC104	FHM1044
PMC116	FHM1260
PMC117	FHM1260
PMC118	FHM639
PMC119	FHM504
PMC120	FHM636
PMC159	FHM1260
PMD102	FHM530
PMD104	FHM1184
PMD107	FHM1013
PMD111	FHM509
PMD113	FHM1193
PMD115	FHM1015
PMD119	FHM1168
PMD121	FHM1015
PMD123	FHM515
PMD124	FHM1003
PMD126	FHC5070
PMD130	FHM1015
PMD139	FHM1173
PMD143	FHM1034
PMD144	FHM1031
PMD147	FHM1089
PMD156	FHM1179
PMD158	FHM1186
PMD159	FHM1032
PMD159	FHM1054
PMD160	FHM1187
PMD164	FHM530
PMD165	FHM527
PMD167	FHM534
PMD168	FHM1029
PMD170	FHM656
PMD172	FHM1025
PMD178	FHM1172
PMD179	FHM522
PMD180	FHM1124
PMD181	FHM536
PMD186	FHM528
PMD187	FHM1262
PMD188	FHM525
PMD188	FHM526

COMPETITOR INTERCHANGE

...TRW

FERODO

PMD191	FHM526
PMD192	FHM525
PMD194	FHM1290
PMD195	FHM1133
PMD196	FHM522
PMD197	FHM1021
PMD200	FHM1001
PMD202	FHM1134
PMD204	FHM1034
PMD205	FHM1177
PMD213	FHM622
PMD219	FHM1077
PMD220	FHM1066
PMD250	FHM1026
PMD253	FHM1136
PMD254	FHM1032
PMD256	FHM1018
PMD260	FHM1092
PMD266	FHM1059
PMD269	FHM655
PMD287	FHM524
PMD296	FHM1192
PMD297	FHM519
PMD314	FHM530
PMD345	FHM1059
PMD348	FHM1138
PMD348	FHM1289
PMD350	FHC5056
PMD358	FHM507
PMD360	FHM1009
PMD361	FHM534
PMD363	FHM515
PMD397	FHM821
PMD398	FHM622
PMD401	FHM1133
PMF103	FHM1090
PMF106	FHM1152
PMF110	FHM1264
PMF114	FHM1257
PMF116	FHM596
PMF118	FHM1006
PMF119	FHM1189
PMF120	FHM1257
PMF124	FHM1259
PMF125	FHM1006
PMF125	FHM576
PMF125	FHM639
PMF131	FHM657
PMF132	FHM585
PMF135	FHM1006
PMF136	FHM576
PMF138	FHM581
PMF144	FHM1259
PMF146	FHM578
PMF148	FHM585
PMF148	FHM586
PMF148	FHM625
PMF151	FHM592

...TRW

FERODO

PMF152	FHM1270
PMF153	FHM1012
PMF156	FHM590
PMF157	FHM1028
PMF159	FHM541
PMF161	FHM543
PMF165	FHM537
PMF167	FHM560
PMF169	FHM556
PMF170	FHM557
PMF171	FHM1036
PMF172	FHM558
PMF173	FHM555
PMF174	FHM1261
PMF174	FHM568
PMF175	FHM1230
PMF178	FHM1264
PMF179	FHM561
PMF180	FHM1261
PMF180	FHM568
PMF181	FHM640
PMF182	FHM1000
PMF187	FHM625
PMF188	FHM1197
PMF191	FHM1098
PMF192	FHM569
PMF193	FHM567
PMF194	FHM1091
PMF195	FHM638
PMF196	FHM627
PMF198	FHM1014
PMF201	FHM620
PMF201	FHM820
PMF202	FHM1004
PMF203	FHM571
PMF204	FHM1091
PMF206	FHM1076
PMF207	FHM1265
PMF209	FHM638
PMF218	FHM541
PMF226	FHM1185
PMF227	FHM578
PMF228	FHM582
PMF234	FHM1071
PMF238	FHM574
PMF239	FHM1241
PMF242	FHM1067
PMF271	FHM1246
PMF295	FHM1167
PMF307	FHM1167
PMF332	FHM574
PMF343	FHM1153
PMF364	FHM637
PMF366	FHM554
PMF367	FHM1182
PMF368	FHM589
PMF382	FHM693
PMF386	FHM623

...TRW

FERODO

PMF387	FHM1014
PMF387	FHM570
PMF388	FHM658
PMF389	FHM1244
PMF390	FHM1079
PMF392	FHM1174
PMF393	FHM1244
PMF395	FHM629
PMF399	FHM1079
PMF401	FHM1263
PMF402	FHM582
PMF418	FHM1020
PMF468	FHM1027
PMF469	FHM826
PMF470	FHM623
PMF473	FHM1267
PMF474	FHM585
PMF475	FHM586
PMF476	FHM820
PMF477	FHM820
PMF480	FHM1014
PMF480	FHM570
PMF481	FHM1082
PMF487	FHM1001
PMF487	FHM658
PMF490	FHM1027
PMF492	FHM1081
PMF493	FHM1274
PMF494	FHM1105
PMF496	FHM658
PMF503	FHM586
PMF505	FHM1167
PMF514	FHM1194
PMF518	FHM1196
PMF526	FHM1226
PMF527	FHM1037
PMF528	FHM1065
PMF529	FHM1209
PMF530	FHM1217
PMF531	FHM1142
PMF532	FHM1218
PMF554	FHM1137
PMF559	FHM1096
PMH122	FHM596
PMH138	FHM694
PMH140	FHM503
PMH146	FHM607
PMH150	FHM682
PMH165	FHM1169
PMH166	FHM1164
PMH168	FHM1147
PMH169	FHM1016
PMH170	FHM1243
PMH171	FHM1030
PMH172	FHM602
PMH173	FHM1242
PMH176	FHM1117
PMH177	FHM1002

...TRW

FERODO

PMH178	FHM1119
PMH179	FHM606
PMH180	FHM1040
PMH182	FHM626
PMH183	FHM1060
PMH186	FHM1287
PMH187	FHM1114
PMH195	FHM1240
PMH226	FHM1220
PMH232	FHM1239
PMH234	FHM1240
PMH238	FHM818
PMH239	FHM1220
PMH240	FHM695
PMH241	FHM694
PMH246	FHM1275
PMH303	FHM1256
PMH324	FHM1158
PMH326	FHM1252
PMH332	FHM1176
PMH367	FHM1245
PMH368	FHM695
PMH369	FHM1247
PMH389	FHM649
PMH390	FHM1121
PMH391	FHM1126
PMH392	FHM1233
PMH419	FHM686
PMH423	FHM1060
PMH425	FHM1166
PMH425	FHM661
PMH432	FHM1255
PMH449	FHM1073
PMH452	FHM631
PMH455	FHM649
PMH457	FHM500
PMH458	FHM501
PMH566	FHM1078
PMH567	FHM1042
PMH569	FHM624
PMH570	FHM1165
PMH571	FHM1135
PMH584	FHM662
PMH588	FHM1166
PMH597	FHM1088
PMH599	FHM1269
PMH600	FHM669
PMH602	FHM1099
PMH604	FHM1062
PMH606	FHM669
PMH607	FHM662
PMH614	FHM1157
PMH615	FHM1084
PMH617	FHM634
PMH620	FHM1171
PMH622	FHM1060
PMH631	FHM1204
PMH632	FHM1205

COMPETITOR INTERCHANGE

...TRW

FERODO

PMH633	FHM1191
PMH635	FHM1195
PMH636	FHM1195
PMH645	FHM1085
PMH646	FHM1242
PMH652	FHM1282
PMH653	FHM1201
PMH659	FHM1225
PMH660	FHM1227
PMH664	FHM1284
PMH665	FHM1106
PMH667	FHM1215
PMH668	FHM1216
PMH677	FHM1238
PMH679	FHM1062
PMH683	FHM1210
PMH684	FHM1053
PMH685	FHM1053
PMH686	FHM1053
PMH687	FHM679
PMH690	FHM661
PMH693	FHM1229
PMH695	FHM1069
PMH696	FHM660
PMH697	FHM1139
PMK101	FHC5010
PMK103	FHM683
PMK104	FHM1146
PMK105	FHM1104
PMK113	FHM1007
PMK116	FHM508
PMK117	FHM692
PMK118	FHM683
PMK119	FHM684
PMK131	FHC5010
PMK136	FHM1087
PMK137	FHM1101
PMK151	FHM1068
PMK153	FHM1093
PMK155	FHM612
PMK158	FHM646
PMK161	FHM1125
PMK193	FHM696
PMK235	FHM1250
PMK274	FHM681
PMK278	FHM1046
PMK279	FHM1047
PMK304	FHM1248
PMK305	FHM1155
PMK314	FHM1100
PMK314	FHM685
PMK321	FHM1234
PMK348	FHM1033
PMK353	FHM630
PMK354	FHM1251
PMK355	FHM1213
PMK451	FHM1276
PMK461	FHM1278

...TRW

FERODO

PMK462	FHM1160
PMK466	FHM823
PMK467	FHM827
PMK469	FHM635
PMK470	FHM1279
PMK474	FHM817
PMK482	FHM1019
PMK483	FHM1100
PMK483	FHM685
PMK491	FHM687
PMK495	FHM663
PMK496	FHM664
PMK497	FHM671
PMK498	FHM673
PMK499	FHM1122
PMK500	FHM663
PMK501	FHM664
PMK504	FHM690
PMK526	FHM1148
PMK528	FHM692
PMK529	FHM1125
PMK531	FHM691
PMK532	FHM1207
PMK533	FHM675
PMK534	FHM1086
PMK536	FHM1214
PMK546	FHM1281
PMK559	FHM691
PMK560	FHM1051
PMK564	FHM1005
PMK570	FHM1051
PMK575	FHM1095
PMK592	FHM1221
PMK604	FHM1064
PMK605	FHM1285
PMK608	FHM1033
PMK610	FHM1208
PMK617	FHM1103
PML100	FHM1024
PML101	FHM617
PML104	FHC5098
PML119	FHM1107
PML120	FHM1061
PML129	FHM647
PML156	FHC5098
PML172	FHM1050
PML178	FHM1199
PML180	FHM1228
PML215	FHM1180
PML216	FHM616
PML217	FHM1150
PML239	FHM1061
PML244	FHM1118
PML270	FHM698
PML271	FHM509
PML272	FHM507
PML360	FHM1123

...TRW

FERODO

PML363	FHM1129
PML364	FHM1143
PML365	FHM689
PML369	FHM1200
PML370	FHM670
PML371	FHM672
PML372	FHM672
PML373	FHM670
PML376	FHM1156
PML382	FHM541
PML388	FHM1277
PML390	FHM689
PML391	FHM1277
PML394	FHM1211
PML421	FHM1097
PML424	FHM1043
PMM117	FHM1008
PMP118	FHM1056
PNA105	FHC5058
PNA109	FHC5053
PNB118	FHC5086
PNB121	FHC5086
PNB122	FHC5101
PNB134	FHC5069
PNB135	FHC5069
PNB141	FHC5086
PNB179	FHC5102
PNB181	FHC5099
PNB187	FHC5072
PNB191	FHC5080
PNB210	FHC5075
PNB214	FHC5067
PNB217	FHC5085
PNB240	FHC5106
PNB241	FHC5107
PNB307	FHC5079
PNB334	FHC5089
PNB335	FHC5062
PNB369	FHC5088
PNB380	FHC5103
PNB450	FHC5100
PNB456	FHC5050
PNB471	FHC5058
PNB513	FHC5064
PNC102	FHC5037
PNC110	FHC5057
PND105	FHC5076
PND109	FHC5084
PND111	FHC5073
PND112	FHC5000
PND112	FHC5011
PND113	FHC5006
PND114	FHC5083
PND115	FHC5017
PND118	FHC5029
PND120	FHC5026
PND121	FHC5051
PND122	FHC5003

...TRW

FERODO

PND124	FHC5005
PND126	FHC5043
PND130	FHC5054
PND132	FHC5021
PND133	FHC5073
PND136	FHC5000
PND139	FHC5019
PND147	FHC5011
PND148	FHC5112
PND150	FHC5004
PND152	FHC5008
PND154	FHC5026
PND159	FHC5087
PND160	FHC5031
PND161	FHC5023
PND162	FHC5068
PND163	FHC5060
PND164	FHC5028
PND188	FHC5022
PND192	FHC5096
PND194	FHC5066
PND195	FHC5014
PND199	FHC5025
PND200	FHC5113
PND202	FHC5054
PND203	FHC5113
PND217	FHC5071
PND218	FHC5052
PND219	FHC5001
PND226	FHC5016
PND227	FHC5048
PND228	FHC5063
PND229	FHC5013
PNK104	FHC5035

COMPETITOR INTERCHANGE

UNIPART

FERODO

GMC1015	FHC5067
GMC1020	FHC5084
GMC1022	FHC5069
GMC1023	FHC5077
GMC1025	FHC5079
GMC1026	FHC5083
GMC1027	FHC5037
GMC1032	FHC5043
GMC1040	FHC5051
GMC1041	FHC5031
GMC1044	FHC5003
GMC1063	FHC5017
GMC1070	FHC5006
GMC1071	FHC5021
GMC1089	FHC5011
GMC115	FHM1181
GMC233	FHM1167
GMC236	FHM1246
GMC243	FHM1241
GMC248	FHM1245
GMC249	FHM1240
GMC267	FHM607
GMC269	FHM686
GMC270	FHM1263
GMC271	FHC5011
GMC275	FHM1077
GMC276	FHM1125
GMC277	FHM646
GMC278	FHM647
GMC280	FHM1243
GMC282	FHM1093
GMC287	FHC5098
GMC296	FHM620
GMC299	FHM629
GMC300	FHM561
GMC310	FHC5056
GMC330	FHM1174
GMC332	FHM1133
GMC391	FHM1014
GMC392	FHM582
GMC393	FHM554
GMC396	FHM526
GMC397	FHM1008
GMC398	FHM625
GMC399	FHM639
GMC417	FHM1029
GMC423	FHM1185
GMC424	FHM578
GMC425	FHM536
GMC429	FHM1164
GMC431	FHM602
GMC432	FHM1242
GMC433	FHM1239
GMC451	FHM541
GMC458	FHM524
GMC459	FHM1177
GMC460	FHM1028
GMC464	FHM1158

...UNIPART

FERODO

GMC548	FHM530
GMC554	FHM1006
GMC555	FHM576
GMC556	FHM543
GMC561	FHM1090
GMC564	FHM649
GMC572	FHM1212
GMC573	FHM1016
GMC575	FHM527
GMC578	FHM522
GMC580	FHM586
GMC583	FHM525
GMC584	FHM1071
GMC585	FHM500
GMC586	FHM578
GMC587	FHM555
GMC590	FHM1246
GMC594	FHM1138
GMC595	FHM1136
GMC596	FHM1034
GMC633	FHM1124
GMC634	FHM656
GMC635	FHM1001
GMC636	FHM501
GMC642	FHM1098
GMC643	FHM1060
GMC644	FHM1020
GMC646	FHM668
GMC650	FHM596
GMC657	FHM1007
GMC658	FHM636
GMC661	FHM655
GMC662	FHM1192
GMC663	FHM627
GMC665	FHM1046
GMC666	FHM1047
GMC668	FHM1002
GMC672	FHM612
GMC673	FHM640
GMC674	FHM534
GMC675	FHM608
GMC677	FHM1155
GMC678	FHM1118
GMC684	FHM1187
GMC700	FHC5065
GMC819	FHM1025
GMC820	FHM519
GMC825	FHM557
GMC826	FHM558
GMC827	FHM556
GMC828	FHM560
GMC838	FHM1264
GMC839	FHM504
GMC840	FHM585
GMC843	FHM567
GMC844	FHM571
GMC845	FHM569
GMC846	FHM1004

...UNIPART

FERODO

GMC847	FHM1119
GMC850	FHM568
GMC862	FHM1079
GMC866	FHM1181
GMC873	FHM1244
GMC876	FHM1241
GMC878	FHM1245
GMC880	FHM692
GMC882	FHM574
GMC883	FHM684
GMC884	FHM626
GMC886	FHM1067
GMC887	FHM695
GMC889	FHM1275
GMC890	FHM1059
GMC891	FHM1146
GMC894	FHM689
GMC895	FHM688
GMC899	FHM1109
GMC900	FHM622
GMC902	FHM623
GMC90375	FHM1079
GMC906	FHM570
GMC910	FHM694
GMC911	FHM624
GMC912	FHM683
GMC913	FHM691
GMC914	FHM690
GMC915	FHM686
GSY105	FHC6087
GSY107	FHC6103
GSY110	FHC6022
GSY117	FHC6105
GSY118	FHC6015
GSY125	FHC6068
GSY127	FHC6007
GSY128	FHC6082
GSY129	FHC6034
GSY133	FHC6043
GSY137	FHC6104
GSY138	FHC6023
GSY140	FHC6024
GSY141	FHC6086
GSY142	FHC6066
GSY143	FHC6071
GSY146	FHC6084
GSY148	FHC6004
GSY156	FHC6075
GSY161	FHC6067
GSY162	FHC6061
GSY163	FHC6107
GSY165	FHC6092
GSY167	FHC6092
GSY168	FHC6073
GSY169	FHC6048
GSY171	FHC6073
GSY174	FHC6060
GSY174	FHC6091

...UNIPART

FERODO

GSY177	FHC6014
GSY188	FHC6088
GSY190	FHC6022
GSY191	FHC6015
GSY198	FHC6074
GSY90183	FHC6074
GCW102	FHW4313
GCW103	FHW4314
GCW110	FHW4307
GCW1101	FHW4171
GCW1102	FHW161
GCW1103	FHW4194
GCW111	FHW4308
GCW1110	FHW4257
GCW1112	FHW4353
GCW1114	FHW4311
GCW1116	FHW4300
GCW1117	FHW4201
GCW1121	FHW4349
GCW1122	FHW4309
GCW1129	FHW4225
GCW1131	FHW4226
GCW1149	FHW4002
GCW1150	FHW4294
GCW1151	FHW4222
GCW1156	FHW4355
GCW1157	FHW331
GCW1159	FHW330
GCW1160	FHW329
GCW1161	FHW4269
GCW1162	FHW4271
GCW1202	FHW4244
GCW1205	FHW4310
GCW1208	FHW4347
GCW1211	FHW4297
GCW1212	FHW4299
GCW1213	FHW4298
GCW1215	FHW4046
GCW1216	FHW4189
GCW1217	FHW156
GCW1219	FHW4195
GCW122	FHW4126
GCW1222	FHW4134
GCW1223	FHW4239
GCW1225	FHW312
GCW1229	FHW184
GCW123	FHW4151
GCW1230	FHW183
GCW1231	FHW4130
GCW1232	FHW4031
GCW1235	FHW4223
GCW1235	FHW4316
GCW1236	FHW4197
GCW1237	FHW4210
GCW1238	FHW4182
GCW1240	FHW4178
GCW1241	FHW074
GCW1242	FHW089

COMPETITOR INTERCHANGE

...UNIPART

FERODO

GWC1245	FHW4296
GWC1246	FHW4253
GWC1249	FHW4320
GWC1250	FHW4016
GWC1251	FHW4157
GWC1255	FHW317
GWC1256	FHW202
GWC1257	FHW4148
GWC1258	FHW4177
GWC1259	FHW4246
GWC126	FHW160
GWC1260	FHW4286
GWC1262	FHW017
GWC1263	FHW018
GWC1264	FHW4293
GWC1265	FHW4287
GWC127	FHW159
GWC1273	FHW217
GWC1274	FHW223
GWC1275	FHW218
GWC1285	FHW4340
GWC1288	FHW4339
GWC1291	FHW4333
GWC1292	FHW4266
GWC1299	FHW4254
GWC1300	FHW4327
GWC1307	FHW4211
GWC1308	FHW4351
GWC1311	FHW4350
GWC1312	FHW4249
GWC1313	FHW4250
GWC1314	FHW034
GWC1315	FHW185
GWC1317	FHW4224
GWC1320	FHW190
GWC1322	FHW4077
GWC1323	FHW4167
GWC1327	FHW4245
GWC1328	FHW4122
GWC1332	FHW4183
GWC1333	FHW4312
GWC1340	FHW409
GWC1341	FHW011
GWC1342	FHW155
GWC1343	FHW319
GWC1345	FHW4097
GWC1346	FHW095
GWC1350	FHW4216
GWC1351	FHW025
GWC1352	FHW4064
GWC1353	FHW4014
GWC1362	FHW4041
GWC1363	FHW4221
GWC1367	FHW4159
GWC1368	FHW4200
GWC1369	FHW4087
GWC1370	FHW4149
GWC1371	FHW4256

...UNIPART

FERODO

GWC1371	FHW4285
GWC1373	FHW183
GWC1374	FHW184
GWC1375	FHW209
GWC1380	FHW4259
GWC1382	FHW4372
GWC1388	FHW4190
GWC1389	FHW4239
GWC1391	FHW4186
GWC1392	FHW4199
GWC1396	FHW058
GWC1397	FHW215
GWC1399	FHW4099
GWC1400	FHW4033
GWC1401	FHW178
GWC1402	FHW179
GWC1406	FHW220
GWC1407	FHW219
GWC1408	FHW089
GWC1409	FHW074
GWC1412	FHW210
GWC1413	FHW193
GWC1417	FHW4175
GWC1418	FHW4192
GWC1419	FHW094
GWC1420	FHW225
GWC1421	FHW075
GWC1422	FHW076
GWC1423	FHW211
GWC1424	FHW201
GWC1425	FHW208
GWC1426	FHW4154
GWC1427	FHW4121
GWC1431	FHW4003
GWC1432	FHW4237
GWC1434	FHW4241
GWC1435	FHW4323
GWC1436	FHW214
GWC1437	FHW231
GWC1438	FHW232
GWC1439	FHW333
GWC1440	FHW405
GWC1441	FHW237
GWC1442	FHW238
GWC1443	FHW321
GWC1444	FHW4018
GWC1445	FHW4050
GWC1446	FHW226
GWC1447	FHW301
GWC1448	FHW244
GWC1449	FHW233
GWC1450	FHW235
GWC1451	FHW4157
GWC1452	FHW200
GWC1453	FHW222
GWC1454	FHW236
GWC1455	FHW212
GWC1456	FHW334

...UNIPART

FERODO

GWC1457	FHW4023
GWC1458	FHW221
GWC1459	FHW091
GWC1460	FHW092
GWC1461	FHW4146
GWC1462	FHW4028
GWC1463	FHW4258
GWC1464	FHW4127
GWC1467	FHW421
GWC1468	FHW4111
GWC1469	FHW4106
GWC1502	FHW4348
GWC1511	FHW4228
GWC1512	FHW4272
GWC1518	FHW203
GWC1523	FHW327
GWC1524	FHW328
GWC1527	FHW030
GWC1530	FHW140
GWC1531	FHW043
GWC1532	FHW044
GWC1533	FHW082
GWC1534	FHW083
GWC1535	FHW4131
GWC1536	FHW4153
GWC1537	FHW4217
GWC1538	FHW4083
GWC1539	FHW195
GWC1540	FHW194
GWC1541	FHW4011
GWC1542	FHW4249
GWC1543	FHW4250
GWC1544	FHW4367
GWC1545	FHW4198
GWC1546	FHW4290
GWC1547	FHW4291
GWC1550	FHW4170
GWC1551	FHW4163
GWC1554	FHW4109
GWC1555	FHW4370
GWC1557	FHW197
GWC1558	FHW196
GWC1560	FHW4227
GWC1561	FHW199
GWC1562	FHW198
GWC1565	FHW047
GWC1566	FHW045
GWC1567	FHW048
GWC1569	FHW046
GWC1570	FHW072
GWC1571	FHW073
GWC1572	FHW064
GWC1573	FHW065
GWC1574	FHW063
GWC1575	FHW062
GWC1576	FHW4043
GWC1577	FHW4029
GWC1578	FHW086

...UNIPART

FERODO

GWC1579	FHW087
GWC1580	FHW103
GWC1581	FHW102
GWC1582	FHW068
GWC1583	FHW069
GWC1584	FHW088
GWC1585	FHW090
GWC1586	FHW347
GWC1587	FHW346
GWC1588	FHW188
GWC1589	FHW187
GWC1590	FHW145
GWC1592	FHW4328
GWC1593	FHW4326
GWC1595	FHW4238
GWC1597	FHW4187
GWC1598	FHW4188
GWC1616	FHW4303
GWC1624	FHW4203
GWC1625	FHW4366
GWC1632	FHW4049
GWC1633	FHW059
GWC1636	FHW4061
GWC1713	FHW4094
GWC1714	FHW4102
GWC1715	FHW4060
GWC1718	FHW4090
GWC1719	FHW4116
GWC1720	FHW4168
GWC1721	FHW4156
GWC1722	FHW4206
GWC1723	FHW4306
GWC1724	FHW4129
GWC1725	FHW4056
GWC1727	FHW4191
GWC1728	FHW4143
GWC1729	FHW4132
GWC1730	FHW124
GWC1732	FHW170
GWC1733	FHW104
GWC1734	FHW015
GWC1735	FHW016
GWC1737	FHW431
GWC1738	FHW101
GWC1739	FHW056
GWC1740	FHW057
GWC1741	FHW039
GWC1742	FHW040
GWC1743	FHW149
GWC1745	FHW105
GWC1746	FHW036
GWC1747	FHW037
GWC1748	FHW035
GWC1749	FHW052
GWC1750	FHW121
GWC1751	FHW122
GWC1752	FHW053
GWC1753	FHW325

COMPETITOR INTERCHANGE

...UNIPART

FERODO

GWC1754	FHW054
GWC1757	FHW138
GWC1758	FHW139
GWC1759	FHW213
GWC1760	FHW216
GWC1761	FHW051
GWC1763	FHW4039
GWC1765	FHW4295
GWC1766	FHW002
GWC1767	FHW4267
GWC1770	FHW4317
GWC1771	FHW4068
GWC1772	FHW4092
GWC1774	FHW313
GWC1775	FHW177
GWC1776	FHW176
GWC1777	FHW4218
GWC1778	FHW4319
GWC1779	FHW4318
GWC1783	FHW4184
GWC1784	FHW4288
GWC1785	FHW4081
GWC1786	FHW4024
GWC1789	FHW4174
GWC1790	FHW4144
GWC1791	FHW4164
GWC1793	FHW207
GWC1794	FHW077
GWC1795	FHW023
GWC1796	FHW008
GWC1797	FHW042
GWC1798	FHW4209
GWC1800	FHW4229
GWC1811	FHW055
GWC1812	FHW171
GWC1813	FHW038
GWC1814	FHW007
GWC1815	FHW152
GWC1817	FHW4207
GWC1818	FHW4344
GWC1819	FHW019
GWC1820	FHW337
GWC1821	FHW093
GWC1822	FHW153
GWC1824	FHW027
GWC1825	FHW338
GWC1826	FHW116
GWC1827	FHW117
GWC1830	FHW133
GWC1831	FHW134
GWC1832	FHW113
GWC1833	FHW107
GWC1835	FHW098
GWC1836	FHW099
GWC1838	FHW120
GWC1839	FHW128
GWC1840	FHW4204
GWC1842	FHW041

...UNIPART

FERODO

GWC1843	FHW021
GWC1844	FHW228
GWC1845	FHW318
GWC1846	FHW013
GWC1847	FHW4139
GWC1848	FHW4305
GWC1849	FHW4150
GWC1851	FHW004
GWC1852	FHW005
GWC1853	FHW010
GWC1854	FHW100
GWC1855	FHW026
GWC1856	FHW4140
GWC1857	FHW4265
GWC1859	FHW130
GWC1860	FHW129
GWC1861	FHW169
GWC1862	FHW168
GWC1873	FHW192
GWC1874	FHW191
GWC1875	FHW335
GWC1876	FHW106
GWC1878	FHW336
GWC1879	FHW135
GWC1880	FHW4084
GWC1881	FHW4080
GWC1882	FHW4128
GWC1883	FHW229
GWC1884	FHW4145
GWC1885	FHW4004
GWC1886	FHW227
GWC1888	FHW4013
GWC1908	FHW308
GWC1913	FHW038
GWC1915	FHW4307
GWC1916	FHW4308
GWC1917	FHW160
GWC1918	FHW159
GWC1919	FHW161
GWC1920	FHW4194
GWC1921	FHW4311
GWC1922	FHW4300
GWC1923	FHW4309
GWC1924	FHW4045
GWC1925	FHW4052
GWC1926	FHW158
GWC1928	FHW305
GWC1929	FHW304
GWC1930	FHW4161
GWC1931	FHW224
GWC1932	FHW4334
GWC1933	FHW4247
GWC1936	FHW4138
GWC1938	FHW4021
GWC1939	FHW4361
GWC1940	FHW4362
GWC1944	FHW358
GWC1945	FHW419

...UNIPART

FERODO

GWC1948	FHW4110
GWC1950	FHW307
GWC1955	FHW4350
GWC1956	FHW4257
GWC1957	FHW4347
GWC1959	FHW203
GWC1960	FHW4222
GWC1961	FHW182
GWC1962	FHW4345
GWC1963	FHW4346
GWC1965	FHW349
GWC1966	FHW348
GWC1969	FHW4020
GWC1970	FHW4235
GWC1971	FHW4236
GWC1972	FHW4234
GWC1973	FHW4038
GWC1976	FHW4262
GWC1977	FHW4261
GWC1978	FHW4055
GWC1979	FHW4118
GWC1980	FHW4275
GWC1981	FHW4232
GWC1982	FHW354
GWC1983	FHW357
GWC1984	FHW4205
GWC1985	FHW4086
GWC1986	FHW406
GWC1987	FHW407
GWC1988	FHW342
GWC1991	FHW323
GWC1992	FHW403
GWC1993	FHW359
GWC1994	FHW425
GWC1995	FHW429
GWC1996	FHW339
GWC1997	FHW4075
GWC1998	FHW411
GWC1999	FHW412
GWC2000	FHW4252
GWC2001	FHW4212
GWC2002	FHW4112
GWC2003	FHW4155
GWC2004	FHW4036
GWC2005	FHW423
GWC2006	FHW422
GWC2007	FHW4179
GWC2008	FHW4180
GWC201	FHW4346
GWC2011	FHW4363
GWC2012	FHW4364
GWC2015	FHW4166
GWC2016	FHW4233
GWC2017	FHW4371
GWC2018	FHW343
GWC2019	FHW362
GWC202	FHW4345
GWC2020	FHW4242

...UNIPART

FERODO

GWC2021	FHW4260
GWC2022	FHW4076
GWC2023	FHW302
GWC2024	FHW4042
GWC303	FHW4352
GWC304	FHW4147
GWC305	FHW4173
GWC306	FHW4248
GWC509	FHW146
GWC510	FHW147
GWC511	FHW4133
GWC516	FHW4022
GWC517	FHW4009
GWC518	FHW4208
GWC720	FHW4274
GWC721	FHW4273
GWC722	FHW4010
GWC727	FHW150
GWC901636	FHW4061

COMPETITOR INTERCHANGE

UNITED BPC

FERODO

33951	FHW4288
34876	FHW4283
36272	FHW4062
36498	FHC6082
36966	FHW4240
37021	FHW4284
37093	FHW4101
37109	FHW4022
37110	FHW4063
37111	FHW4013
37208	FHW4324
37216	FHW4049
37217	FHW4104
37235	FHW4281
37238	FHW4348
37244	FHW4097
37245	FHW317
37274	FHW4327
37276	FHW4223
37276	FHW4316
37277	FHW4317
37332	FHW010
37335	FHW4319
37336	FHW4318
37344	FHW4016
37345	FHW004
37347	FHW152
37349	FHW216
37352	FHW161
37353	FHW4194
37354	FHW4309
37356	FHW4244
37358	FHW4138
37359	FHW4138
37376	FHW4130
37390	FHW4347
37391	FHW4257
37393	FHW4344
37399	FHC6075
37403	FHW409
37405	FHW4178
37407	FHW4077
37409	FHW4298
37410	FHW4299
37414	FHW4225
37418	FHW4328
37419	FHW4326
37420	FHW4241
37420	FHW4325
37424	FHW4312
37425	FHW4183
37426	FHW051
37450	FHW107
37452	FHW4339
37455	FHC6025
37459	FHW4246
37470	FHW4171
37487	FHC6081

...UNITED BPC

FERODO

37493	FHC6082
37494	FHC6085
37495	FHC6079
37498	FHC6083
37500	FHC6084
37524	FHC6081
37525	FHC6055
37526	FHC6080
37539	FHW312
37541	FHC6086
37544	FHC6055
37545	FHC6055
37568	FHC6007
37569	FHW4224
37570	FHW4167
37571	FHW4267
37572	FHW099
37573	FHW4256
37575	FHW4174
37576	FHW005
37577	FHW313
37580	FHW203
37581	FHW182
37581	FHW4321
37582	FHW181
37582	FHW4322
37592	FHW4282
37597	FHW055
37599	FHW4191
37601	FHW4144
37602	FHW4164
37606	FHC6073
37607	FHW128
37611	FHC6023
37627	FHC6092
37631	FHW4320
37634	FHW4177
37635	FHW176
37636	FHW177
37637	FHW4068
37639	FHW4287
37646	FHW4092
37654	FHW4148
37660	FHW338
37671	FHW4259
37678	FHW026
37680	FHC6072
37681	FHC6093
37682	FHC6066
37684	FHW4259
37686	FHW4370
37687	FHW4286
37689	FHC6089
37690	FHW4189
37693	FHW4190
37699	FHC6048
37701	FHC6071
37707	FHW4218

...UNITED BPC

FERODO

37708	FHW4170
37709	FHW4163
37710	FHW4243
37711	FHW4196
37712	FHW4372
37736	FHW4237
37739	FHC6008
37741	FHW4047
37779	FHW4356
37782	FHW4110
37783	FHW4081
37783	FHW4184
37783	FHW4288
37784	FHW4357
37786	FHW4186
37787	FHW4024
37799	FHW021
37801	FHW4221
37802	FHW4200
37803	FHW4159
37818	FHC6094
37833	FHC6090
37839	FHW4291
37840	FHW4290
37842	FHW4371
37846	FHW4154
37846	FHW4175
37846	FHW4220
37847	FHW4121
37847	FHW4192
37847	FHW4219
37850	FHW4087
37852	FHW4374
37853	FHW4373
37857	FHW4359
37862	FHW4113
37864	FHW4358
37866	FHW4086
37867	FHW4195
37869	FHW208
37870	FHW4239
37871	FHW4134
37889	FHC6053
37903	FHC6096
37933	FHC6060
37936	FHC6038
37954	FHW4149
37956	FHW4285
37963	FHW4199
37970	FHW4360
37979	FHW4003
37980	FHW139
37981	FHW138
37984	FHW4079
37986	FHW030
37995	FHW4260
37996	FHW4242
39045	FHM1179

...UNITED BPC

FERODO

39060	FHM1014
39102	FHC5085
39134	FHM1034
39135	FHM1187
39136	FHM1291
39139	FHM1089
39147	FHM1006
39217	FHM527
39239	FHC5101
39249	FHM1246
39270	FHC6088
39275	FHC5086
39297	FHM500
39298	FHM501
39315	FHC5099
39378	FHC5073
39405	FHM581
39412	FHM1025
39412	FHM589
39426	FHM1167
39453	FHM1252
39490	FHC5006
39592	FHM1250
39605	FHC5072
39613	FHC5080
39645	FHC5091
39653	FHM1158
39655	FHM585
39659	FHC5026
39661	FHM1007
39670	FHM612
39700	FHM582
39727	FHC5003
39751	FHC5100
39756	FHM1247
39769	FHM1249
39780	FHM1153
39780	FHM1154
39786	FHM1253
39869	FHM1119
39870	FHM560
39870	FHM571
39877	FHM1002
39878	FHM561
39882	FHM1155
39930	FHC5062
39931	FHC5088
39968	FHM1248
39970	FHM1118
350004	FHC5103
350009	FHC5089
360025	FHC6044
390016	FHM608
0728924	FHC5088
0728926	FHC5062

COMPETITOR INTERCHANGE

VARGA

FERODO

RCCD00063	FHM1015
RCCD00071	FHM1193
RCCM23314	FHM1044

VECO

FERODO

VQ001	FHW004
VQ002	FHW010
VQ007	FHW4347
VQ019	FHW4344
VQ020	FHW4207
VQ021	FHW4228
VQ022	FHW026
VQ023	FHW4345
VQ024	FHW4346
VQ027	FHW4272
VQ028	FHW027
VQ029	FHW337
VQ030	FHW4140
VQ035	FHW318
VQ036	FHW123
VQ064	FHW099
VQ065	FHW098
VQ066	FHW128
VQ068	FHW4022
VQ069	FHW4013
VQ070	FHW4257
VQ072	FHW4194
VQ083	FHW216
VQ087	FHW338
VQ091	FHW4350
VQ1022	FHM536
VQ1048	FHM1000
VQ1080	FHM525
VQ113	FHW171
VQ1158	FHM658
VQ1168	FHM1098
VQ122	FHW4060
VQ124	FHW4061
VQ131	FHW4348
VQ135	FHW4151
VQ136	FHW4126
VQ138	FHW093
VQ141	FHW4102
VQ142	FHW4094
VQ175	FHW051
VQ193	FHW153
VQ194	FHW013
VQ199	FHW4248
VQ200	FHW4173
VQ201	FHW4351
VQ205	FHW330
VQ206	FHW329
VQ207	FHW331
VQ208	FHW4355
VQ209	FHW019
VQ215	FHW4352
VQ216	FHW4147
VQ225	FHW4273
VQ226	FHW4274
VQ261	FHW005
VQ262	FHW077
VQ331	FHW201
VQ332	FHW202

...VECO

FERODO

VQ717	FHW043
VQ735	FHW219
VQ736	FHW220
VQ741	FHW327
VQ742	FHW328
VQ749	FHW082
VQ750	FHW083
VQ753	FHW4131
VQ754	FHW4153
VQ759	FHW4154
VQ767	FHW4367
VQ768	FHW4198
VQ773	FHW4005
VQ776	FHW208
VQ777	FHW196
VQ778	FHW197
VQ816	FHW4124
VQ818	FHW4366
VQ855	FHW4372
VQ857	FHW4170
VQ858	FHW4163
VQ863	FHW198
VQ864	FHW199

FERODO

OE INTERCHANGE

ALFA ROMEO

FERODO

101336	FHY2011
107101	FHY2011
510364	FHC5021
510829	FHC6003
533991	FHC6003
542407	FHC5021
542938	FHW174
549114	FHY2138
705530	FHM1091
705578	FHW169
705579	FHW168
705730	FHM1091
705819	FHM638
705833	FHM638
705962	FHW183
705963	FHW184
720093	FHW169
1422018	FHC5054
1560029	FHW4046
1561899	FHW4046
7032126	FHM596
7736538	FHC6000
9937665	FHM1052
9938829	FHM1016
9948218	FHM1110
9950173	FHM1060
9950677	FHM679
9950817	FHW4161
9951103	FHM1110
0009989017	FHM1020
16403290	FHM1060
21223012	FHM596
0046421938	FHC6003
46421938	FHC6003
46421939	FHC6021
46421940	FHC6001
46448591	FHY2167
46454474	FHY2250
46474539	FHY2321
46516374	FHC5092
46531636	FHC6001
46547168	FHC5095
46835408	FHC6049
55189164	FHC5095
60501235	FHC5021
60501237	FHC5021
0060501338	FHY2011
60501727	FHY2138
60502664	FHC5021
60502665	FHC6003
60507992	FHY2187
60511528	FHC6021
60511530	FHC5023
60516270	FHC6058
60516271	FHC6058
60517115	FHC5074
60517201	FHM596
60518094	FHC5031

...ALFA ROMEO

FERODO

60518194	FHC5031
60522545	FHY2190
60536813	FHY2138
60536905	FHY2029
60540018	FHY2142
60546644	FHY2187
60547341	FHC6024
60567047	FHC6019
60571358	FHM1063
60571362	FHM1063
60583353	FHC5016
60586737	FHC5014
60588015	FHY2167
60589820	FHM677
60593842	FHC5048
60608676	FHM679
60627989	FHM815
60653742	FHC5094
60714480	FHM596
60716270	FHC6058
60718545	FHY2029
60729339	FHM596
60730497	FHC5054
60738494	FHM1020
60743581	FHM1060
0060747181	FHW174
60749849	FHM1091
60749888	FHW169
60749889	FHW168
60750112	FHM638
60750204	FHW183
60750205	FHW184
60765000	FHM638
60800372	FHY2248
60809727	FHC5014
60809897	FHC5001
60809966	FHW227
60811771	FHC6000
60812130	FHY2249
60814827	FHC5001
60815343	FHC5094
71736926	FHY2321
71737761	FHC5094
105121205000	FHC6058
105121205001	FHC6058
105481205000	FHC6058
105481205001	FHC6058
105481205002	FHC6058
105484502003	FHM596
105484502004	FHM596
105484533990	FHC6003
105641205101	FHC5074
105644502000	FHM596
113051805100	FHC5031
113051805101	FHC5031
113054502000	FHM596
113151805100	FHC5031
116001205012	FHC6024

...ALFA ROMEO

FERODO

116001205014	FHC6024
116001205101	FHC5054
116001205111	FHC5054
116001205118	FHC5054
116001205130	FHC5054
116504504900	FHM596
116551805100	FHC5054
116584554400	FHY2190
164003208701	FHY2187
164003254400	FHY2187
164203290000	FHM1060
549686000000	FHC5021
1130545020000	FHM596
11600120501200	FHC6024
11600120511100	FHM596
11650450200000	FHM596
70583300000000	FHM638

AUDI

FERODO

113611775	FHY2328
116595322	FHR7106
171611019	FHM576
171611053	FHW004
171611775	FHY2000
191611701	FHY2076
251611775	FHY2345
281611775	FHY2033
309611051	FHW010
309611053	FHW010
322611019	FHM1264
331611053	FHW010
431721261	FHC6016
431721401	FHC5005
433611707	FHY2029
437611775	FHY2033
441611021	FHM1200
443611021	FHM612
443611707	FHY2029
443611755	FHY2040
443611775	FHY2040
443721261	FHC6016
481611775	FHY2033
481611776	FHY2000
701611701	FHY2066
803611775	FHY2194
810611707	FHY2353
811611019	FHM576
811611775	FHY2392
823611707	FHY2076
839611021	FHM1259
853611019	FHM607
857721261	FHC6016
857721401	FHC5068
861611053	FHW030
893611019	FHM607
893611707	FHY2088
893611775	FHY2212
3096110511	FHW010
3096110531	FHW010
113611701D	FHY2372
113611701E	FHY2317
171611019A	FHM1006
171611019B	FHM576
171611019C	FHM1006
171611019D	FHM576
171611019E	FHM1006
171611019H	FHM1006
171611019N	FHM1006
171611051A	FHW004
171611051B	FHW004
171611053A	FHW004
171611701G	FHY2076
171611701K	FHY2031
171611701L	FHY2076
171611775A	FHY2000
172611019A	FHM1006
175611701A	FHY2076

OE INTERCHANGE

...AUDI

FERODO

191611701A	FHY2416
1H0611053	FHW339
1H0611053A	FHW4033
1H0611053B	FHW4099
1H0611701	FHY2089
1H0611775	FHY2162
1H0612151	FHR7106
1J0611701	FHY2223
1J0611701G	FHY2210
1J0611775	FHY2208
1J1614019	FHM687
1J1721388A	FHC5050
1J1721388C	FHC5050
1J2721388A	FHC5058
1J2721388C	FHC5058
211611775B	FHY2328
211611775C	FHY2346
251611775A	FHY2345
251611775B	FHY2406
281611775B	FHY2033
2D0611701	FHY2305
2D0611701B	FHY2305
321611019A	FHM1259
321611019E	FHM1259
321611053A	FHW010
321611701B	FHY2076
321611701C	FHY2031
321611701D	FHY2031
322611019A	FHM607
331611051A	FHW010
331611053A	FHW010
331611053B	FHW010
331611058A	FHW010
331698051A	FHW010
3A0611053	FHW4004
431611775A	FHY2054
431611775B	FHY2012
431721401A	FHC5005
433611755A	FHY2054
433611775A	FHY2054
441611021A	FHM1200
443611707C	FHY2391
443611775A	FHY2012
443611775C	FHY2029
443611775F	FHY2393
443721401A	FHC5005
4A0611019	FHM684
4A0611019A	FHM683
4A0611019C	FHM684
4A0611019D	FHM683
4A0611021A	FHM683
4A0611021B	FHM684
4A0611021D	FHM683
4A0611707	FHY2318
4A0611775	FHY2415
4A0721261	FHC6006
4A0721401	FHC5005
4B0611775	FHY2448

...AUDI

FERODO

4B0611775A	FHY2458
4B0611775B	FHY2458
4B0611775C	FHY2458
4D0611021	FHM1050
4D0611021A	FHM1050
4D0611021B	FHM1123
4D0611707D	FHY2433
4D0611775A	FHY2431
4D0611775B	FHY2431
6K9611776	FHY2457
6N0611053	FHW429
6N0611701A	FHY2446
6N0611701B	FHY2446
6N0611775A	FHY2207
6Q0721388A	FHC5058
6U0612151A	FHR7106
6X0611775	FHY2208
7M0611701D	FHY2285
7M0611775E	FHY2205
7M0611776B	FHY2286
7M0611776C	FHY2286
7M3611701A	FHY2206
801611707C	FHY2055
811611019B	FHM1006
811611019D	FHM576
811611019E	FHM1259
811611019Q	FHM1264
811611775A	FHY2410
843611021C	FHM1259
849611707A	FHY2076
853611019A	FHM607
857721401A	FHC5068
861611019A	FHM504
861611019B	FHM576
861611019C	FHM504
861611051A	FHW005
861611053A	FHW005
861611707B	FHY2055
861611707C	FHY2055
867611019A	FHM504
893611019A	FHM607
893611019C	FHM682
893611019E	FHM607
893611019F	FHM682
893611021A	FHM682
893611021B	FHM607
893611775A	FHY2033
893721261A	FHC6006
893721401B	FHC5000
893721401D	FHC5000
8A0611021	FHM684
8A0611775	FHY2412
8A0611775A	FHY2432
8A0611775D	FHY2413
8D0611021A	FHM1100
8D0611021B	FHM685
8D0611707	FHY2166
8D0611707B	FHY2166

...AUDI

FERODO

8D0611707D	FHY2166
8D0611775B	FHY2246
8D0611775C	FHY2414
8D0611775D	FHY2441
8D0611775E	FHY2245
8D0611775J	FHY2247
8D0721257	FHC6064
8D1721401	FHC5053
8E0611775	FHY2412
8E0611775B	FHY2224
8E0611775C	FHY2458
8E0611775J	FHY2224
8E0721257A	FHC6076
8E0721257B	FHC6076
8E0721257E	FHC6076
8E0721257F	FHC6076

BMW

FERODO

21521106516	FHC6063
21521114536	FHC6063
21521114537	FHC6007
21521114538	FHC5073
21521116300	FHC6007
21521116301	FHC6007
21521116302	FHC5073
21521116303	FHC5073
21521150449	FHC5073
21521150451	FHC6063
21521150782	FHC5073
21521152658	FHC5011
21521153520	FHC6007
21521154580	FHC5011
21521155425	FHC5019
21521156000	FHC5011
21521156004	FHC5073
21521157346	FHC6063
21521158677	FHC6063
21521158903	FHC6011
21521159031	FHC5022
21521159045	FHC6010
21521161530	FHC6010
21521162148	FHC5022
21521162303	FHC5060
21521163899	FHC5071
21521163900	FHC5060
21521164916	FHC6010
21521164917	FHC6011
21521164919	FHC6054
21521207739	FHC6063
21526750546	FHC5022
21526758830	FHC5022
21526766277	FHC6011
21526766279	FHC6054
21526775922	FHC6054
34111107134	FHW4183
34211101734	FHW4183
34211101760	FHW4183
34211103392	FHW4254
34211107134	FHW4183
34211107136	FHW4312
34211107137	FHW4254
34211117104	FHW051
34211119945	FHW058
34211154235	FHW055
34211154236	FHW055
34211156167	FHW140
34211159146	FHW321
34211159569	FHW193
34211207130	FHW4183
34213061719	FHW4183
34213460120	FHW4312
34301163080	FHY2432
34301163155	FHY2455
34301165074	FHY2252
34301165075	FHY2257
34301165174	FHY2252

OE INTERCHANGE

...BMW

FERODO

34301165190	FHY2256
34301165249	FHY2255
34301166248	FHY2257
34306760221	FHY2478
34311117208	FHM581
34311120032	FHM581
34311154263	FHM1263
34311156273	FHM1263
34311156798	FHM681
34311157111	FHM1107
34311157206	FHM686
34311159768	FHM681
34311161504	FHM1061
34311161617	FHM1107
34311161860	FHM681
34311161861	FHM1107
34311161862	FHM1061
34311162039	FHM1061
34311162915	FHM1061
34311165543	FHM1129
34311165544	FHM1143
34316757743	FHM1097
34321102567	FHY2001
34321107139	FHY2001
34321108134	FHY2194
34321108135	FHY2259
34321113183	FHY2259
34321113184	FHY2001
34321115695	FHY2259
34321115697	FHY2194
34321116515	FHY2376
34321152274	FHY2152
34321153107	FHY2194
34321153109	FHY2152
34321154327	FHY2030
34321154904	FHY2030
34321156157	FHY2258
34321156978	FHM1107
34321159524	FHY2254
34321159717	FHY2253
34321159878	FHY2259
34321159881	FHY2194
34321159889	FHY2152
34321159890	FHY2030
34321159891	FHY2258
34321164002	FHY2255
34321165587	FHY2468
34321503079	FHY2479
34322227489	FHY2413
34326766966	FHY2468
34331156978	FHM1107
34331160491	FHM1061

CHRYSLER

FERODO

3766689	FHW4283
3780525	FHW4281
4423246	FHW4358
4423446	FHY2171
4423447	FHY2172
4423601	FHW4113
4636864	FHC5082
4636865	FHC5090
4728859	FHW4360
4762404	FHW4079
5461760	FHW4283
5473028	FHW4283
52000848	FHW4292
52000849	FHW4160
52104113	FHC5090
52107640	FHC5082
53001324	FHC6057

CITROEN

FERODO

4601E0	FHM1135
4402E1	FHW416
4402E2	FHW417
440252	FHW128
440281	FHW213
440295	FHW202
453583	FHM668
480624	FHY2128
480635	FHY2139
480636	FHY2131
480656	FHY2085
480664	FHY2104
480667	FHY2261
480668	FHY2099
480671	FHY2168
480680	FHY2197
480681	FHY2099
480682	FHY2174
480683	FHY2266
480685	FHY2173
480686	FHY2120
480691	FHY2121
480696	FHY2168
480697	FHY2281
480698	FHY2292
481627	FHY2488
481635	FHY2264
481679	FHY2198
486138	FHR7109
486163	FHR7115
486164	FHR7115
486165	FHR7107
486173	FHR7124
486174	FHR7116
486175	FHR7130
486176	FHR7131
486177	FHR7132
486178	FHR7115
486179	FHR7115
486184	FHR7137
486191	FHR7138
486192	FHR7139
790616	FHW325
4402E3	FHW415
4806E3	FHY2120
5411942	FHW162
5479184	FHM1013
5488527	FHW011
5950690	FHY2264
75422063	FHY2003
75491787	FHM639
75492063	FHY2003
75492434	FHW150
75492557	FHM1008
75494063	FHY2003
75529622	FHM1008
75530008	FHW4044
91500635	FHY2042

...CITROEN

FERODO

91500900	FHY2150
91510533	FHM586
91515816	FHY2039
91518534	FHM525
91518535	FHM525
94601978	FHM525
95075932	FHM626
95434137	FHW052
95492940	FHM639
95493016	FHY2010
95493191	FHM1012
95493192	FHM1008
95493193	FHM639
95493259	FHM1008
95494014	FHY2192
95494208	FHM522
95494973	FHY2049
95496631	FHM640
95496738	FHW201
95534127	FHW052
95542783	FHW116
95542784	FHW117
95542785	FHW123
95555655	FHM1012
95562739	FHW124
95568486	FHW171
95568491	FHW4265
95568492	FHW162
95569738	FHW053
95569739	FHW124
95571755	FHM639
95571759	FHM639
95588595	FHM1008
95594171	FHR7104
95594172	FHR7104
95599101	FHY2060
95606669	FHW128
95608852	FHW202
95608853	FHW043
95608854	FHW044
95632790	FHY2260
95644348	FHM525
95659474	FHW082
95659475	FHW083
95659534	FHM586
95659617	FHM1109
95659664	FHW178
95659665	FHW179
95659668	FHW221
95659673	FHW045
95659674	FHW046
95668067	FHW086
95668068	FHW087
95668069	FHW091
95668070	FHW092
96037346	FHY2180
96037347	FHY2121
96075932	FHM626

OE INTERCHANGE

...CITROEN

FERODO

96080322	FHY2085
96102107	FHY2003
96109017	FHY2106
96124223	FHY2086
96124230	FHY2083
96169410	FHY2042
99388259	FHM1016
4601E5	FHM671
4402E6	FHW4107
7901440247	FHW116
7901440248	FHW117
7901440249	FHW123
7901440250	FHW124
7910018158	FHY2193
7910021226	FHY2002
7910022619	FHY2002
7910022623	FHY2192
7910027051	FHM524
7910028993	FHW123
7910030170	FHW053
9404402708	FHW149
9404402868	FHW062
9404402878	FHW063
9404601858	FHM586
9404601978	FHM525
9559519380	FHM640
9566949780	FHW214
4402E9	FHW4085
4402E9	FHW4125
4601E9	FHM827
4402A2	FHW236
4402A7	FHW214
4402A8	FHW222
4601C8	FHM669
4601C9	FHM1171
4601D1	FHM670
4601D3	FHM672
4601F0	FHM821
4601F3	FHM1238
4601F6	FHM1122
4601F8	FHM1105
4601F9	FHM1099
4601G0	FHM1267
4601G4	FHM1086
4601G5	FHM1096
4601G7	FHM1094
4601G8	FHM1094
4601G9	FHM1238
4601H9	FHM1148
4601J3	FHM1099
4601J4	FHM1062
4601K5	FHM1272
4601L5	FHM1145
4601L7	FHM1226
4601L8	FHM1227
4601L9	FHM1225
4601N5	FHM1113
4601N6	FHM1235

...CITROEN

FERODO

4806A6	FHY2197
4806A8	FHY2121
4806A9	FHY2482
4806C3	FHY2263
4806C4	FHY2248
4806C7	FHY2265
4806F3	FHY2263
4861A0	FHR7131
5411942G	FHW162
5415212A	FHW011
541522A	FHW011
5438259L	FHM1013
5448527C	FHW011
5479184Y	FHM1013
5488527C	FHW011
5490764T	FHM1012
AM453010A	FHW162
AM453032	FHW4265
AM45305A	FHW4051
AM45305E	FHW011
AM4545305E	FHW011
AMN453032	FHW4265
AMN45305	FHW171
AN453010A	FHW162
AY453010A	FHW150
AY453011A	FHW150
AY45304	FHW4044
AY453048A	FHM1013
AY453049A	FHM1013
AY453072A	FHM1013
AYA453011A	FHW150
AZ45304	FHW4037
AZ45304A	FHW4037
AZ45305A	FHW4142
AZ45305C	FHW4142
AZU45304	FHW4044
ZF00791462	FHR7123
ZF00791737	FHR7109
ZF04477793	FHY2019
ZF05952297	FHY2128
ZF07567861	FHY2131
ZF07567862	FHY2139
ZF07570315	FHY2019
ZF09937665	FHM1016
ZF09937777	FHW325
ZF09938829	FHM1016
ZF09938868	FHW149
ZF09942427	FHW212

DAEWOO

FERODO

426036	FHM1206
426047	FHM1190
426253	FHM1204
426299	FHM1205
426383	FHM1194
426503	FHM1194
426504	FHM1194
426505	FHM1196
426506	FHM1196
426507	FHM1191
426508	FHM1191
426570	FHM1195
426571	FHM1195
426695	FHM1219
426696	FHM1175
3492529	FHM1266
3492634	FHM1203
90235420	FHW4289
90235422	FHW041
96179489	FHY2051
96212323	FHY2092
96312155	FHW4172
96316435	FHM1175
96316463	FHM1219
96320670	FHW4020
96518606	FHW4020
96574718	FHW4268
5341070811000	FHW4255
5342070811000	FHW4251

DAIHATSU

FERODO

4755087401	FHW4236
4755087702	FHW4365
4755087703	FHW4365
4755087705	FHW4153
4757087401	FHW4235
4757087704	FHW4131
4755087702000	FHW4365
4755087709000	FHW4153
4757087704000	FHW4131
4757087709000	FHW4131
4755087Z0100	FHW4234

OE INTERCHANGE

FIAT		...FIAT		...FIAT		...FIAT	
FERODO		FERODO		FERODO		FERODO	
790164	FHW155	793304	FHM1138	4285587	FHM1054	4394890	FHM1179
790204	FHM1187	793305	FHM1032	4291870	FHM1022	4394899	FHM1179
790215	FHW152	793309	FHM1031	4292617	FHC5044	4394900	FHM1138
790227	FHR7102	793332	FHM1054	4297870	FHM1022	4394906	FHM1186
790417	FHW4157	793437	FHW023	4298756	FHW4009	4395137	FHM1034
790418	FHR7127	793438	FHW008	4306333	FHM1136	4395377	FHM1291
790513	FHM1290	793439	FHW042	4322010	FHW4016	4396086	FHM1289
790520	FHR7129	793604	FHM1077	4335748	FHM1089	4396104	FHW4133
790608	FHM1124	793962	FHM1077	4337695	FHC5112	4398074	FHR7102
790610	FHW156	795622	FHM662	4340183	FHM1023	4398075	FHR7129
790616	FHW325	974349	FHW4058	4341665	FHM1054	4398200	FHM1179
790649	FHR7123	2261687	FHW302	4341759	FHM1023	4398743	FHM1179
790663	FHM1089	3900595	FHW152	4341780	FHM1034	4404483	FHW409
790664	FHM1186	4051025	FHW4064	4341935	FHM1023	4404484	FHW409
790665	FHW4016	4057023	FHW4058	4341995	FHM1032	4410503	FHM1187
790833	FHW038	4057025	FHW4064	4342112	FHM1179	4412800	FHC5112
790837	FHM534	4065993	FHC6004	4342465	FHM1289	4412832	FHC6050
790838	FHM1009	4085259	FHW4070	4344163	FHM1136	4412833	FHC5044
790853	FHW4010	4121616	FHW152	4347257	FHM1066	4447257	FHM1066
790981	FHR7121	4121621	FHW4059	4347258	FHW152	4455399	FHW155
791113	FHW007	4127806	FHC5051	4362473	FHM1186	5950290	FHM1066
791159	FHW409	4139481	FHW4000	4368051	FHM1179	5987896	FHW038
791373	FHR7109	4139486	FHW4001	4368052	FHM1289	7032156	FHM596
791401	FHR7129	4139490	FHW4120	4372983	FHM1054	7074619	FHM657
791440	FHM1029	4139493	FHW4035	4372984	FHM1023	7075920	FHM660
791456	FHR7108	4139496	FHW4001	4373350	FHM1034	7077697	FHM660
791458	FHR7127	4156086	FHM1018	4373614	FHW152	7078624	FHW4185
791459	FHR7102	4156087	FHM1018	4373638	FHM1089	7078627	FHM1084
791462	FHR7123	4156090	FHM1018	4373679	FHM1034	7078823	FHM665
791475	FHR7112	4159759	FHW4120	4373680	FHM1034	7079433	FHM665
791702	FHW309	4168151	FHM1026	4373736	FHW4010	7079435	FHM1268
791737	FHR7109	4171016	FHM1017	4374057	FHW4001	7082150	FHW4030
791944	FHM1031	4178745	FHR7102	4374058	FHW4001	7082215	FHM1284
792040	FHM1000	4184518	FHM1034	4374060	FHW4016	7082220	FHM1106
792088	FHM536	4188216	FHC6004	4374063	FHW4000	7545170	FHM668
792170	FHM1054	4188225	FHM1136	4374129	FHM1136	7545203	FHR7127
792218	FHR7121	4188357	FHM1034	4374130	FHM1186	7607381	FHR7108
792722	FHM536	4188535	FHM1003	4374310	FHW4058	7611100	FHM1003
792895	FHM1000	4189021	FHM1136	4374582	FHW4064	7613104	FHM1290
792915	FHM536	4190178	FHC5051	4374780	FHM1179	7613105	FHM1187
792987	FHM1187	4191164	FHC6004	4374781	FHM1289	7613158	FHM1023
792994	FHM1186	4203721	FHM1136	4379293	FHM1032	7621101	FHW152
792999	FHM1029	4210962	FHM1026	4379471	FHW4059	7651142	FHM655
793010	FHM536	4210963	FHM1017	4379876	FHR7102	7692964	FHM655
793034	FHM1009	4218319	FHM1003	4381246	FHW4133	7696710	FHW038
793039	FHM534	4222027	FHM1136	4382336	FHM1023	7708289	FHC5113
793053	FHM1124	4223561	FHM1136	4394440	FHM1290	7713643	FHM668
793141	FHM1089	4231433	FHM1136	4394441	FHM1089	7729634	FHW302
793148	FHM1290	4231434	FHM1136	4394459	FHW4064	7731308	FHC6059
793189	FHM536	4231435	FHM1034	4394460	FHW152	7734997	FHW210
793266	FHM1001	4231877	FHM1032	4394465	FHW4058	7740758	FHW094
793289	FHM1034	4239978	FHM1032	4394466	FHW4016	7743899	FHR7101
793290	FHM1034	4242011	FHM1032	4394467	FHW4120	7743900	FHR7103
793291	FHM1136	4261434	FHM1136	4394469	FHW4010	7751337	FHR7101
793296	FHM1186	4264373	FHM1179	4394470	FHW4120	7751338	FHR7103
793298	FHM1034	4264934	FHM1289	4394596	FHM1031	7757604	FHW301
793301	FHM1289	4270673	FHM1003	4394597	FHM1031	7759547	FHC5001
793302	FHM1179	4277188	FHW4014	4394780	FHM1179	7765264	FHM658

OE INTERCHANGE

...FIAT **FERODO**

7767150	FHM658
7767151	FHM662
9292865	FHW4064
9937665	FHM1052
9937777	FHW325
9938829	FHM1016
9938868	FHW149
9939672	FHM1060
9939963	FHM1085
9940554	FHW4025
9940558	FHW213
9940972	FHM1036
9941368	FHM1085
9942427	FHW212
9943705	FHM1060
9944386	FHM666
9945379	FHW224
9945755	FHM1072
9945760	FHM662
9945762	FHM662
9945834	FHM662
9945891	FHW233
9945895	FHW235
9945896	FHW244
9945910	FHW212
9945911	FHW149
9945939	FHW213
9945980	FHW209
9946054	FHM672
9946055	FHM669
9946056	FHM670
9946385	FHM1016
9946624	FHM1068
9946638	FHM1277
9946751	FHM1171
9946798	FHM675
9946799	FHM671
9947094	FHW225
9947098	FHM658
9947099	FHM662
9947161	FHW226
9947943	FHW303
9948195	FHW210
9948232	FHW038
9948315	FHM662
9948361	FHW304
9948369	FHW305
9948533	FHM667
9948580	FHM1037
9948585	FHM1065
9948586	FHM1053
9948877	FHM670
9948883	FHM671
9948931	FHW4019
9949303	FHM1070
9949305	FHM1064
9949459	FHW4108
9949542	FHM1037

...FIAT **FERODO**

9949543	FHM1053
9949545	FHM1049
9949546	FHM1049
9949547	FHM1053
9949548	FHM1053
9949588	FHM1113
9949592	FHM1235
9950175	FHM1060
9950521	FHM662
9951116	FHM666
9983471	FHW4046
46409003	FHM658
46421937	FHC6001
46421941	FHC6009
46421942	FHC6000
46421943	FHC6059
46431512	FHM665
46436262	FHM1084
46478560	FHC5001
46478563	FHC5013
46529339	FHM1268
46531635	FHC6001
46533407	FHM665
46533410	FHM665
46536593	FHM1084
46540826	FHC5038
46541666	FHC6035
46541667	FHC6029
46543441	FHC5045
46547126	FHC6031
46741476	FHM1102
46819820	FHC5093
50008743	FHY2336
55187210	FHC5038
55187212	FHC6031
55187214	FHC5093
55189156	FHC5039
55196254	FHC5093
60502666	FHC6001
60729341	FHM596
60750098	FHM638
60750375	FHW168
60750376	FHW169
60760117	FHM596
60800249	FHM596
60801577	FHC6001
60806876	FHM1001
60809329	FHC6000
60809922	FHM1080
60812073	FHM1080
60812081	FHC6001
60812359	FHC6001
60814217	FHC6001
60815246	FHC6001
60815759	FHC5013
71736915	FHY2126
71736922	FHY2102
71736923	FHY2167

...FIAT **FERODO**

71736955	FHY2127
71736960	FHY2248
71736962	FHY2137
71736966	FHY2109
71736968	FHY2179
71736970	FHY2137
71736975	FHY2169
71736976	FHY2169
77362099	FHM1069
77362405	FHM1038
77362445	FHW4065
77362463	FHW4280
77362518	FHM1111
77362526	FHM1112
77362610	FHW4158
77362617	FHW4093
77362621	FHW4082
82369266	FHM1292
82409600	FHC6001
82442897	FHC5004
82463795	FHM1080
1300250080	FHR7107
1315251080	FHR7107
1473404080	FHR7115
1475675080	FHR7115
1479008080	FHR7115
1479009080	FHR7115
1479010080	FHR7114
9463378380	FHM1285
9463378480	FHM1286
9567205380	FHM663
9567205480	FHM664
9567211580	FHM661
9567211680	FHM1166
21213505009	FHM1136
21213505009	FHM1136
51767150	FHY2169

FORD **FERODO**

120119	FHW4345
120120	FHW4346
553750	FHW4078
558087	FHW051
1000743	FHY2275
1000744	FHY2276
1006011	FHW335
1006012	FHW338
1006013	FHW337
1006016	FHW336
1011360	FHM691
1013455	FHY2178
1013815	FHY2071
1014204	FHY2113
1015248	FHM1042
1015249	FHM1160
1015250	FHM1078
1015251	FHM1278
1015252	FHM1276
1018615	FHY2282
1019628	FHM689
1021839	FHY2284
1021841	FHY2283
1023692	FHY2291
1025055	FHM689
1026327	FHY2289
1027745	FHY2222
1028404	FHM1082
1029544	FHY2287
1029545	FHY2288
1031617	FHM1276
1035269	FHY2287
1035270	FHY2288
1037718	FHC5052
1041774	FHY2175
1041775	FHY2176
1042122	FHY2289
1044504	FHY2286
1047660	FHM1074
1049324	FHY2289
1051514	FHY2279
1051516	FHY2280
1054047	FHC5052
1064257	FHY2229
1064282	FHM1108
1066801	FHY2283
1068964	FHY2117
1068975	FHY2228
1071938	FHY2164
1075806	FHY2175
1075807	FHY2176
1089437	FHY2343
1092259	FHC5052
1104131	FHW337
1104132	FHW336
1106077	FHW4038
1109678	FHY2284
1109679	FHY2283

OE INTERCHANGE

...FORD

FERODO

1113980	FHW135
1121359	FHY2206
1121635	FHY2474
1124059	FHY2230
1126960	FHY2475
1133442	FHW338
1134140	FHY2226
1134816	FHM1221
1145295	FHW418
1148270	FHY2227
1201141	FHY2480
1212748	FHY2484
1304007	FHY2206
1451559	FHW4201
1470050	FHW4348
1484750	FHW336
1484751	FHW093
1484752	FHW337
1486316	FHW336
1486750	FHW336
1505870	FHY2191
1517558	FHW337
1517559	FHW027
1546810	FHW4274
1546812	FHW4273
1553661	FHY2191
1554476	FHW4060
1554836	FHW4126
1554837	FHW4151
1556871	FHW4313
1556872	FHW4314
1558834	FHY2191
1561166	FHW4122
1561999	FHW4229
1563530	FHM578
1563561	FHY2191
1572003	FHY2344
1572004	FHY2191
1583215	FHM578
1583479	FHM1185
1583630	FHY2344
1584321	FHM1090
1604645	FHW034
1613087	FHM530
1613337	FHY2006
1613343	FHY2191
1613344	FHY2004
1613346	FHY2006
1613347	FHY2005
1613351	FHY2057
1619137	FHW104
1619138	FHW019
1619189	FHM1240
1625132	FHW185
1630359	FHW104
1630360	FHW019
1648810	FHY2057
1655853	FHY2342

...FORD

FERODO

1655854	FHY2343
1664958	FHY2417
1666247	FHY2045
1666294	FHY2091
1666460	FHY2045
1708505	FHW4346
1708513	FHW4345
1737066	FHW4347
1954497	FHW4028
1954498	FHW4146
1954516	FHY2348
1956496	FHY2429
1959359	FHW4028
3104438	FHW4228
3898670	FHY2323
4055730	FHW4042
4059371	FHM1144
4059372	FHM1237
4525694	FHM1144
4525696	FHM1237
5138237	FHM530
6009659	FHW093
6020783	FHW4140
6023398	FHW026
6023399	FHW4272
6025668	FHW4228
6028053	FHW4140
6035875	FHW4344
6035876	FHW4207
6046019	FHW4094
6046022	FHW4102
6046300	FHM1147
6046469	FHM530
6049556	FHY2005
6050436	FHY2004
6050437	FHY2004
6063234	FHW4344
6063235	FHW4207
6067715	FHM530
6069633	FHM578
6069636	FHM578
6069637	FHM578
6078741	FHW4140
6079641	FHW4140
6079642	FHW4344
6079643	FHW4207
6081237	FHM1164
6083866	FHM631
6083867	FHM1243
6083868	FHM1093
6088234	FHW338
6090605	FHW4344
6090606	FHW4207
6095650	FHY2006
6096066	FHW153
6114613	FHY2068
6118138	FHM1239
6118140	FHM1030

...FORD

FERODO

6118143	FHM1030
6118144	FHM1242
6123361	FHM1071
6125634	FHY2045
6125636	FHY2388
6126854	FHY2222
6129003	FHY2022
6132910	FHY2222
6135220	FHY2021
6136543	FHM1117
6136834	FHM602
6136835	FHM602
6149181	FHY2342
6149182	FHY2343
6150106	FHW4056
6150107	FHW4129
6150108	FHW4206
6150109	FHW4168
6150110	FHW4090
6150111	FHW4306
6150112	FHW4156
6150113	FHW4116
6151043	FHM1121
6151044	FHM1046
6151045	FHM649
6151046	FHM1047
6151048	FHM1033
6158424	FHY2340
6158425	FHY2341
6164952	FHW101
6170667	FHM574
6170668	FHM695
6173278	FHM694
6179304	FHY2032
6182643	FHW4143
6182644	FHW4132
6184721	FHY2340
6184722	FHY2341
6185940	FHM1125
6185941	FHM1125
6185942	FHM1125
6185943	FHM1125
6187600	FHW192
6187601	FHW191
6187602	FHW106
6191842	FHY2071
6196051	FHW335
6196052	FHW336
6196053	FHW135
6464704	FHW223
6464705	FHW217
6464706	FHW218
6483797	FHY2274
6483798	FHY2422
6508824	FHW195
6510341	FHY2274
6510342	FHY2422
6569119	FHY2071

...FORD

FERODO

6577423	FHY2340
6577424	FHY2341
6577425	FHY2342
6577426	FHY2343
6581520	FHM646
6581521	FHM647
6643690	FHY2282
6645754	FHM693
6657327	FHY2081
6657328	FHY2080
6667473	FHY2091
6677340	FHM688
6714709	FHY2417
6714710	FHY2163
6754692	FHM692
6758585	FHY2418
6758587	FHY2420
6781601	FHM689
6789916	FHC5052
6808555	FHW195
6808556	FHW4011
6808557	FHW194
6823334	FHY2275
6823335	FHY2276
6828211	FHY2091
6842331	FHM646
6842332	FHM647
6881658	FHY2274
6881659	FHY2425
6881660	FHY2422
6881661	FHY2423
6922548	FHM646
6922549	FHM647
6922621	FHY2419
6941702	FHY2274
6941703	FHY2425
6941704	FHY2422
6941705	FHY2423
6960026	FHY2164
6974959	FHM689
7034902	FHM692
7067563	FHY2164
7090606	FHW4207
7091549	FHY2453
7100750	FHM646
7100751	FHM647
7117257	FHW4023
7117258	FHM1067
7117261	FHM696
7200918	FHM1051
7200919	FHM1051
7200920	FHM1214
7272225	FHY2091
7281468	FHM690
7335770	FHY2205
7335771	FHY2285
7402895	FHY2177
8849646	FHW4229

OE INTERCHANGE

...FORD

FERODO

31044381	FHW4228
74066740	FHM1275
91023391	FHW4229
100E2061B	FHW4346
100E2062B	FHW4345
113E2261	FHW4347
17H4393	FHW4346
17H4394	FHW4345
25612261AA	FHW418
2X1145295	FHW418
68VB2261BA	FHW4229
68VB2261BD	FHW4122
68VB2261DB	FHW4122
72GB2261BA	FHW337
72GB2261CA	FHW093
72GB2661AA	FHW027
72VB2061BB	FHW4126
72VB2062BB	FHW4151
73VB2261AB	FHW4060
74BB2261AB	FHW4140
74E52261AA	FHW4228
75AB2261BA	FHW4272
76VB2261BA	FHW4094
76VB2262BA	FHW4102
77EB2261AA	FHW4344
77FB2261AA	FHW4344
77FB2261AD	FHW4344
77FB2261BA	FHW4207
77FB2261BB	FHW4207
77FB2261BC	FHW4207
77FB2261BD	FHW4207
77FB228KC	FHY2005
78BB2140BA	FHM1185
80VB2A032AA	FHM631
80VB2A032BA	FHM1243
80VB2A032CA	FHM1093
80VB2A032GA	FHM1243
80VB2A032HA	FHM1093
80VB2A032JA	FHM631
80VBB2A032HA	FHM1093
81AB2140BB	FHM1164
81AB2140CB	FHM1164
81AB2261AA	FHW338
82FB2261AA	FHW034
83BB2140KA	FHM1239
83BB2140SA	FHM1030
83BB2261BA	FHW153
84BB2261BC	FHW019
84FB2140BA	FHM1240
84FB2261AB	FHW104
84FB2261AC	FHW104
84FB2261BB	FHW019
84FB2261BC	FHW019
85AB2140AA	FHM602
85AB2140BA	FHM602
86AB2140AA	FHM1117
86VB2261AA	FHW4056
86VB2261BA	FHW4129

...FORD

FERODO

86VB2261CA	FHW4206
86VB2261DA	FHW4168
86VB2261EA	FHW4090
86VB2262CA	FHW4306
86VB2262DA	FHW4156
86VB2262EA	FHW4116
86VB2262FA	FHW4116
86VB2A032AA	FHM1121
86VB2A032BA	FHM1046
86VB2A032CA	FHM649
86VB2A032DA	FHM1047
87BB2261AA	FHW101
88VB2261AA	FHW4143
88VB2262AA	FHW4132
89AB2140AA	FHM1125
89AB2140BA	FHM1125
89AB2140CA	FHM1125
89AB2140DA	FHM1125
89FB2140AA	FHM574
89FB2140BA	FHM695
89FB2140CA	FHM694
89FB2261AB	FHW192
89FB2261CB	FHW191
89FB2261EA	FHW106
91AB2140AA	FHM646
91AB2140EA	FHM646
91AB2140ED	FHM646
91AB2140FA	FHM647
91AB2140FC	FHM647
91AB2261AA	FHW335
91AB2261BA	FHW336
91AB2261CA	FHW135
92FB2140BA	FHM693
92VB2004AA	FHM692
92VB2261AA	FHW223
92VB2261BA	FHW217
92VB2261CA	FHW218
93BB2261BC	FHW195
93BB2261EC	FHW194
93BB2B507AA	FHM688
93BB2B507BB	FHM689
94BB2B507AA	FHM689
94BB7A543AB	FHC5052
94BB7A543AC	FHC5052
94BB7A543AD	FHC5052
94FB2140AB	FHM1067
94FB2140DB	FHM696
94FB2261AA	FHW4023
94VB2140AB	FHM692
95AB2140AA	FHM690
95AB2261AA	FHW335
95AB2261B1	FHW338
95AB2261BA	FHW338
95VW2140AA	FHM1051
95VW2140CA	FHM1214
96AB2B507AE	FHM691
96FB2140BE	FHM1042
96FB2140DE	FHM1160

...FORD

FERODO

96FB2140EE	FHM1078
96FB2140HA	FHM1278
96FB2140JA	FHM1276
96FB2140SA	FHM1276
96FB2261AA	FHW337
96FB2261BA	FHW027
97BB2B507BA	FHM689
97BB2B507CA	FHM689
97KB2140AB	FHM1082
98AB2B507CA	FHM1221
98VB2B507AA	FHM1074
D8RZ2078B	FHY2004
D9RZ2078A	FHY2004
F4CZ2078B	FHY2323
FRZ2261A	FHW195
GWC1821	FHW093
V84FB2261BA	FHW185
V86AB2140AA	FHM1125
YC152261AA	FHW4042
YC152K478AA	FHM1144
YC152K478AB	FHM1144
YC152K478BA	FHM1237
YC152K478BB	FHM1237
YS4Z2004AA	FHM1108
YS512261AA	FHW4038
1613348	FHY2005

HONDA

FERODO

43301692003	FHW203
46100671751	FHM1246
46100692003	FHM1246
46100692013	FHM1246
46100692602	FHM1246
46100692731	FHM1246
46100692732	FHM1246
46100692751	FHM1246
46100692752	FHM1246
46100692872	FHM1246
46100692873	FHM1246
46930671013	FHC6084
43030SP8000	FHW327
43031SP8000	FHW328
43300S10003	FHW4337
43300S6A003	FHW4330
43300S6AJ51	FHW4330
43300SA3681	FHW4322
43300SAAG01	FHW4279
43300SB2003	FHW181
43300SB2003	FHY2411
43300SE0003	FHW4218
43300SE0013	FHW4218
43300SH3J01	FHW4192
43300SM4A01	FHW4219
43300SO4003	FHW4192
43300SR3003	FHW4121
43300ST3E01	FHW4052
43301S04003	FHW4220
43301S10003	FHW4338
43301S6A003	FHW4162
43301S6AJ51	FHW4162
43301SA3681	FHW4321
43301SB2003	FHW182
43301SH3J01	FHW4175
43301SM4A01	FHW4220
43301SO4003	FHW4175
43301SR3003	FHW4154
43301ST3E01	FHW4045
46100S04A52	FHM1222
46100S20601	FHM1167
46100SA0953	FHM1167
46100SA5003	FHM1167
46100SA5013	FHM1167
46100SA5023	FHM1167
46100SA5033	FHM1167
46100SA5603	FHM1167
46100SA5621	FHM1167
46100SA5622	FHM1167
46100SA5623	FHM1167
46100SA5954	FHM1167
46100SAAG51	FHM1128
46100SB0601	FHM1167
46100SB0602	FHM1167
46100SB0621	FHM1167
46100SB0622	FHM1167
46100SB0631	FHM1167
46100SB0632	FHM1167

OE INTERCHANGE

...HONDA

FERODO

46100SE0013	FHM1158
46100SE0305	FHM1158
46100SE0901	FHM1158
46100SH3A02	FHM1154
46100SH3A03	FHM1154
46100SH3A04	FHM1154
46100SH3A05	FHM1154
46100SH3A06	FHM1154
46100SH3G11	FHM1247
46100SH3G12	FHM1247
46100SH3G13	FHM1247
46100SH3G14	FHM1247
46100SH3G15	FHM1247
46100SH3G17	FHM1247
46100SH4A11	FHM1248
46100SM4A01	FHM1155
46100SM4A02	FHM1155
46100SM4A04	FHM1155
46100SM4A2	FHM1155
46100SM4G52	FHM1118
46100SM4G53	FHM1118
46100S04A53	FHM1222
46100SR3003	FHM1153
46100SR3013	FHM1153
46100SR3913	FHM1247
46410SH0A01	FHY2411
46410SH3033	FHY2411
46410SH3043	FHY2411
46410SH3044	FHY2411
46410ST3E02	FHY2294
46411ST3E02	FHY2293
46430SH3933	FHY2295
46430SH3937	FHY2295
46430SH3938	FHY2295
46430ST3E01	FHY2295
46430ST3E11	FHY2296
46430ST3E51	FHY2295
46920SM4A03	FHC5106
46920S04A01	FHC5107
46920SR3A01	FHC5107
46930SF1003	FHC6094
46930SM4003	FHC6053
46930SM4A03	FHC6053
46930SR3013	FHC6044

HYUNDAI

FERODO

3147024060	FHC6095
4171033050	FHC6110
4171033070	FHC6051
5832044210	FHW4165
5833002000	FHW4261
5833011100	FHW4319
5833021010	FHW4285
5833021300	FHW4130
5833022000	FHW4084
5833023300	FHW4256
5833024002	FHW4242
5833024003	FHW4242
5833028001	FHW4128
5833031010	FHW338
5834011100	FHW4318
5838002000	FHW4262
5838022000	FHW4080
5838024002	FHW4260
5838024003	FHW4260
5838028001	FHW4145
5842044210	FHW4152
MB238160	FHY2327

ISUZU

FERODO

94233500	FHW4191
94256308	FHW4191
8941126251	FHM1176
8941135822	FHM1252
8942305413	FHW312
8942305415	FHW312
8942335005	FHW4191
8942335006	FHW4191
8943134372	FHM1253
8943264510	FHC6100
8943891941	FHC6090
8943891960	FHC6100
8944033223	FHY2399
8972010070	FHC5105

IVECO

FERODO

791662	FHR7125
2991743	FHM1043
4121823	FHM1045
4122369	FHW4027
4122667	FHW4169
4146276	FHC6026
4161333	FHC5036
4164296	FHM1011
4166208	FHC5047
4176157	FHC5111
4178751	FHR7125
4181164	FHC6004
4189132	FHC6036
4189133	FHC6111
4208251	FHC5065
4212449	FHW4141
4217083	FHC5034
4219866	FHC5046
4220639	FHW4015
4220643	FHW4017
4221755	FHC6026
4221757	FHC6040
4237415	FHM1010
4270737	FHC5036
4271838	FHC6026
4271840	FHC6040
4276036	FHW4012
4277473	FHR7125
4277623	FHM1075
4285102	FHC5078
4289132	FHC6036
4292542	FHC5007
4292543	FHC5007
4294681	FHW4034
4296247	FHW4089
4311345	FHC6036
4324597	FHM1011
4657683	FHC5040
4700150	FHC5007
4717095	FHR7125
4723798	FHM1010
4726277	FHM1058
4732110	FHM1011
4754206	FHM1011
4762814	FHM1011
4765078	FHM1010
4769389	FHC6027
4770993	FHC6005
4774874	FHC5020
4777521	FHC6027
4792417	FHR7125
4797280	FHM1035
4797460	FHM1035
4797843	FHM1048
4797844	FHM1039
4797845	FHC5009
4800160	FHC5034
4800161	FHC5041

OE INTERCHANGE

...IVECO

FERODO

4802930	FHM1035
4804129	FHM1057
4804132	FHM1288
4817854	FHM1041
4844300	FHM1035
4848576	FHC6005
4853408	FHC5018
4853409	FHC5027
4854828	FHC6020
7165213	FHW4017
7980525	FHW4002
7984212	FHW4103
8121103	FHW4103
8121575	FHW4002
8121576	FHW4046
8122258	FHM1073
8123580	FHW4083
8193387	FHW4103
8194527	FHW4083
9981629	FHM1073
9983470	FHW4002
9983871	FHW4046
9989017	FHM1020
42530542	FHM1043
61590154	FHC5049
93155720	FHW4083
93155721	FHW4103
93159002	FHW4100
93160540	FHW4100
98452387	FHW4072
99463713	FHM1055
99483920	FHM1083

JAGUAR

FERODO

CAC7876	FHY2332
CBC2137	FHY2331
MNA5680AA	FHY2440

KIA

FERODO

5838038010	FHW4336
OK01126610	FHW4055
OK04526610	FHW4118
OK20126610	FHW4026
OK20126610A	FHW4026
OK30A26610	FHW4193
OK72B26610	FHW4230
OK72B26710	FHW4231
58330FD100	FHW4193
KK15043400D	FHM1149

LADA

FERODO

3502040	FHW207
3512010	FHR7102
4186382	FHC6012
4188357	FHM1034
4189134	FHC6012
4373680	FHM1034
21011602510	FHC6012
21011602610	FHC5042
21013502040	FHW4329
21013505008	FHM1034
21013505009	FHM1136
21013506060	FHY2360
21013506085	FHY2124
21013512010	FHR7102
21013702040	FHW207
21053502040	FHW077
21061602510	FHC6041
21083505010	FHM1098
21083506060	FHY2044
21083506085	FHY2384
21211602610	FHC5042
21213506060	FHY2007
21213506061	FHY2008
210103505009	FHM1034
210323505009	FHM1136
212103505009	FHM1136
1674231001502	FHR7113
2101350204010	FHW207

OE INTERCHANGE

LANCIA

FERODO

790522	FHR7134
791159	FHW409
791328	FHM656
793234	FHM656
793266	FHM1001
4379878	FHR7134
4398075	FHR7129
4412832	FHC6050
7788185	FHC5012
9939672	FHM1060
9945762	FHM662
9948218	FHM1110
71737761	FHC5094
82293524	FHM1292
82409600	FHC6001
1484536080	FHY2197

LAND ROVER

FERODO

233863	FHW4352
233864	FHW4147
243296	FHW4173
243302	FHW4211
243303	FHW4351
243743	FHW4352
243744	FHW4147
243926	FHW4173
243927	FHW4248
293927	FHW4248
550732	FHC5043
591231	FHC6043
9411432	FHC5098
7H4840	FHW4352
7H4841	FHW4147
GMC1032	FHC5043
GMC310	FHC5056
GMC311	FHC5098
GSY133	FHC6043
GWC1307	FHW4211
GWC1308	FHW4351
GWC303	FHW4352
GWC304	FHW4147
GWC305	FHW4173
GWC306	FHW4248
NRC8690	FHM1228
NTC7670	FHY2409
RTC3168	FHW4367
RTC3169	FHW4198
RTC3626	FHW4249
RTC3627	FHW4250
SHB000580	FHY2469
SHB000590	FHY2469
SHB101000	FHY2469
STC467	FHW4361
STC468	FHW4362

LDV

FERODO

GWC1149	FHW4002
GWC122	FHW4126
GWC123	FHW4151
GWC1715	FHW4060
GWC901522	FHW4060
LBU5031	FHW4229
RTC3786	FHW4126
RTC3787	FHW4151
RTC4454	FHW4060

LOTUS

FERODO

GWC1117	FHW4201
GWC1208	FHW4347

OE INTERCHANGE

MAZDA

FERODO

408441920	FHC6075
903043980	FHY2154
4755025011	FHW4110
4755029215	FHW4110
4755069055	FHW4110
4755069085	FHW4110
1E0426610A	FHW418
1E0726610	FHW336
B00126610	FHW4184
B00126610A	FHW4184
B09226610	FHW4288
B21626610	FHW4081
B21626610B	FHW4081
B45543810A	FHY2324
B45543810C	FHY2324
B45543980A	FHY2323
B45543980B	FHY2323
BC1D26610	FHW4076
BC1D43810	FHY2439
DO0114610A	FHW4110
DO0126610	FHW4110
DO0126610A	FHW4110
DO0126610B	FHW4110
DC0326610	FHW4232
G03026610	FHW4174
G03226610	FHW4174
GJ2126610	FHW4024
GJ2126610A	FHW4024
GJ2126610C	FHW4024
GJ2126610D	FHW4275
GJ2543980A	FHY2449
GJ5541920	FHC6096
G03026610	FHW4174
LA0126610	FHW4290
LA0126710	FHW4291
NA0141920A	FHC6101
UB3941920	FHC6097
UB9341400B	FHC5104
UC8626610	FHW4290
UC8626710	FHW4291
UC8641920	FHC6099

MERCEDES-BENZ

FERODO

0002903212	FHC5066
0002954007	FHC6017
0002955006	FHC5076
0002956006	FHC5076
0002956507	FHC6017
0002956606	FHC5076
0002956806	FHC5010
0002957607	FHC6030
0002957706	FHC5076
0002957806	FHC5076
0002957907	FHC6032
0002958007	FHC6037
0002958207	FHC6017
0002958807	FHC6037
0002958907	FHC6037
0002959106	FHC5026
0004282835	FHY2314
0004283535	FHY2011
0004288035	FHY2314
0004305801	FHM1127
0004314701	FHM1005
0004315601	FHM1005
0004315701	FHM1005
0004315801	FHM1127
0004316401	FHM1005
0004316501	FHM1005
0012950307	FHC6032
0012951006	FHC5003
0012951106	FHC5029
0012951307	FHC6008
0012951406	FHC5026
0012951407	FHC6008
0012951506	FHC5076
0012951706	FHC5029
0012952707	FHC6008
0012952906	FHC5010
0012952907	FHC6008
0012953007	FHC6008
0012953106	FHC5003
0012954406	FHC5026
0012955306	FHC5035
0012955307	FHC6032
0012956006	FHC5010
0012956107	FHC6008
0012956507	FHC6008
0012956806	FHC5003
0012956807	FHC6017
0012957606	FHC5029
0012957906	FHC5029
0012958606	FHC5029
0012958706	FHC5076
0012958807	FHC6032
0012959706	FHC5035
0013877790	FHM1007
0014289535	FHY2313
0022950407	FHC6032
0022950607	FHC6045
0022951307	FHC6030

MERCEDES-BENZ

FERODO

0022952107	FHC6045
0034306001	FHM1007
0034307801	FHM1007
0034308901	FHM1007
0034309901	FHM1007
0044300401	FHM1007
0044300901	FHM1007
0044301701	FHM503
0044302301	FHM1007
0044302401	FHM503
0044302501	FHM1007
0044302601	FHM507
0044302801	FHM617
0044303401	FHM508
0044303801	FHM509
0044303901	FHM508
0044305501	FHM509
0044307501	FHM509
0054208118	FHW4005
0054302401	FHM508
0054305901	FHM503
0054306401	FHM1234
0064300001	FHM1159
0074200918	FHW4041
0074208818	FHW4041
0084204218	FHW4005
0084204318	FHW4041
0114208818	FHW4041
1234280135	FHY2011
1234280235	FHY2353
1234280335	FHY2314
1234280535	FHY2314
1234280635	FHY2024
1264280335	FHY2011
1294280035	FHY2024
1428883500	FHY2353
1428943500	FHY2314
1634200748	FHY2304
1634200848	FHY2303
1634200948	FHY2302
1634201148	FHY2303
1634201248	FHY2302
1634201448	FHY2302
1634201548	FHY2303
1634201848	FHY2303
1634201948	FHY2302
1634202048	FHY2303
1634202148	FHY2302
1634202248	FHY2303
1634202348	FHY2302
1684200018	FHW357
1684200118	FHW354
1684200318	FHW354
1684280235	FHY2298
1684280335	FHY2297
1684300001	FHM1159
2012900011	FHC6008
2012900111	FHC6008

MERCEDES-BENZ

FERODO

2012900311	FHC6008
2012900411	FHC6013
2022900011	FHC6013
2022900112	FHC5003
2024200148	FHY2299
2024280735	FHY2300
2104280035	FHY2301
6014280435	FHY2305
6312900012	FHC5063
6314200018	FHW4021
6314280035	FHY2061
6314280135	FHY2352
6314300081	FHR7128
6314300701	FHM1180
6314301101	FHM1150
6384280235	FHY2473
6384280835	FHY2473
6384281035	FHY2472
6384282135	FHY2472
6384282235	FHY2473
9014280235	FHY2305
9014280435	FHY2305
A0004314701	FHM1163
A6312900012	FHC5063
A9014280435	FHY2305

OE INTERCHANGE

MINI

FERODO

34306755398 FHY2478

MITSUBISHI

FERODO

5833023300 FHW4256
 5833024003 FHW4242
 5838024003 FHW4260
 MA180750 FHW4319
 MB004040 FHW4318
 MB058509 FHY2367
 MB058553 FHW4130
 MB058592 FHY2327
 MB058593 FHY2367
 MB058598 FHY2367
 MB082157 FHY2383
 MB180750 FHW4319
 MB193411 FHW4130
 MB238157 FHY2383
 MB238158 FHY2383
 MB238160 FHY2327
 MB238161 FHY2367
 MB238162 FHY2367
 MB238164 FHY2367
 MB238166 FHY2367
 MB238425 FHY2326
 MB238428 FHY2325
 MB238510 FHW4144
 MB238511 FHW4164
 MB238828 FHW4170
 MB238829 FHW4163
 MB366139 FHW4237
 MB366326 FHW4372
 MB500484 FHW4144
 MB500485 FHW4164
 MB500738 FHW4243
 MB500739 FHW4196
 MB587164 FHY2325
 MB587740 FHY2367
 MB587753 FHY2383
 MB587754 FHY2383
 MB618188 FHW4195
 MB618981 FHW4086
 MB699830 FHM1213
 MB857426 FHY2438
 MB857526 FHY2383
 MB857541 FHY2383
 MB857552 FHY2326
 MB857556 FHY2327
 MB857565 FHY2367
 MB857567 FHY2466
 MB857573 FHY2367
 MB862414 FHY2220
 MB950308 FHY2220
 MD733620 FHC6102
 MD770482 FHC6098
 MR129595 FHW4205
 MR129772 FHY2326
 MR129781 FHY2367
 MR129787 FHY2466
 MR129799 FHY2438
 MR307779 FHW4053

NISSAN

FERODO

123411 FHW4323
 3061003E00 FHC5101
 3061013E00 FHC5086
 3061036E01 FHC5086
 3062003E01 FHC6067
 3062056E01 FHC6061
 69021740 FHW4021
 69030110 FHW4021
 163003390 FHC6109
 164001830 FHC6062
 164001831 FHC6062
 4410018000 FHW4327
 4620489919 FHY2235
 3062056E21 FHC6061
 3061001G00 FHC5072
 3061001G01 FHC5072
 3061028L01 FHC5086
 306102C100 FHC5055
 306102G100 FHC5055
 306107F000 FHC5064
 30610C6001 FHC5069
 30610C6002 FHC5069
 30610C7300 FHC5075
 30610C7301 FHC5075
 30610C8200 FHC5069
 30610C8202 FHC5069
 30610C8203 FHC5075
 30610H5802 FHC5085
 30610H8800 FHC5101
 30610P6500 FHC5086
 30610Q2101 FHC5086
 30610W1601 FHC5086
 30610W1610 FHC5086
 30610W1611 FHC5086
 3062001W00 FHC6086
 3062001W01 FHC6086
 3062001W11 FHC6086
 3062010G00 FHC6072
 3062011W00 FHC6083
 3062011W10 FHC6083
 3062018G60 FHC6070
 3062018G65 FHC6042
 3062018V00 FHC6047
 3062018V01 FHC6047
 3062041L00 FHC6092
 3062069F01 FHC6047
 3062069F02 FHC6047
 3062069F03 FHC6047
 3062069F70 FHC6047
 3062085000 FHC6083
 30620C8003 FHC6107
 30620D8601 FHC6056
 30620G9800 FHC6108
 30620H1600 FHC6065
 30620H1601 FHC6065
 30620H6100 FHC6079
 30620H6101 FHC6079
 30620M3801 FHC6085

...NISSAN

FERODO

30620P9500 FHC6082
 30620T8002 FHC6086
 30620U7000 FHC6082
 30620U7001 FHC6106
 30620U7100 FHC6082
 30620V5000 FHC6092
 30620V5010 FHC6092
 30620V5011 FHC6092
 30620V6311 FHC6093
 44000N4601 FHW4178
 4410001A00 FHW4293
 4410001A01 FHW4293
 4410001A02 FHW4293
 4410001J10 FHW4227
 4410001J11 FHW4227
 4410001W01 FHW4267
 4410004B00 FHW190
 4410004B02 FHW190
 4410005N10 FHW4239
 4410008G10 FHW4259
 4410008W03 FHW4267
 4410008W04 FHW4267
 4410008W08 FHW4267
 4410008W10 FHW4267
 4410008W11 FHW4267
 4410008W12 FHW4267
 441000F000 FHW4028
 441000F001 FHW4146
 441000X800 FHW223
 441000X900 FHW4331
 4410013A00 FHW4167
 4410013A01 FHW174
 4410013A02 FHW4167
 4410017C10 FHW4077
 4410017C11 FHW4077
 4410037G10 FHW4134
 4410037G11 FHW4134
 4410037G12 FHW4134
 441003F000 FHW4276
 441003J310 FHW419
 441004B000 FHW208
 4410050C10 FHW208
 4410050C100 FHW208
 4410050C11 FHW208
 4410050C12 FHW208
 441006F611 FHW405
 4410070J20 FHW197
 4410070J22 FHW199
 441007E611 FHW4343
 441007F000 FHW4028
 441007F001 FHW4258
 4410099B12 FHW405
 44100AX600 FHW4342
 44100B5000 FHW4324
 44100C7100 FHW4109
 44100C7101 FHW4109
 44100D0110 FHW4224
 44100D0111 FHW4224

OE INTERCHANGE

...NISSAN

FERODO

44100D0112	FHW4224
44100D5510	FHW4190
44100D5512	FHW4190
44100G5110	FHW4138
44100H3100	FHW4327
44100N4601	FHW4178
44100U9200	FHW4077
441013F000	FHW4277
441013J310	FHW419
4410170J20	FHW196
4410170J22	FHW198
4601030P01	FHM1249
4601030P21	FHM1249
4601049L01	FHM1250
4601064J65	FHM1156
4601064J75	FHM1156
4601070J26	FHM1251
4601070J28	FHM1251
4601070J85	FHM1157
4601099B86	FHM1059
46010G9501	FHM1104
46010G9701	FHM1104
46010Y9507	FHM1146
4621001F10	FHY2348
462100M001	FHY2233
462100M007	FHY2232
462100M011	FHY2233
462100M017	FHY2232
462100M300	FHY2234
462102F001	FHY2464
462102F002	FHY2465
462102F205	FHY2463
4621031G10	FHY2348
4621031G11	FHY2348
462104B005	FHY2232
4621050J05	FHY2093
4621050Y07	FHY2427
4621050Y15	FHY2427
462105F000	FHY2443
462105F001	FHY2436
462105F002	FHY2436
462108F800	FHY2463
4621090J00	FHY2093
462109C005	FHY2437
462109C008	FHY2430
462109C501	FHY2430
462110F005	FHY2429
462110F010	FHY2347
4621131G10	FHY2347
4621131G11	FHY2347
4621150J05	FHY2094
4621190J00	FHY2094
46211Y9500	FHY2405
46211Y9600	FHY2405
4621401A19	FHY2235
462145F000	FHY2443
462148B700	FHY2235

OPEL

FERODO

550006	FHW228
550011	FHW410
550012	FHW4097
550040	FHW317
550042	FHW4139
550055	FHW4204
550056	FHW317
550057	FHW4139
550065	FHW319
550066	FHW318
550113	FHW002
550114	FHW013
550115	FHW4295
550118	FHW4150
550119	FHW002
550120	FHW013
550122	FHW318
550123	FHW318
550125	FHW4139
550127	FHW4150
550128	FHW002
550129	FHW013
550130	FHW228
550132	FHW4305
550133	FHW041
550134	FHW003
550135	FHW021
550140	FHW021
550141	FHW041
550142	FHW312
550143	FHW021
550144	FHW041
550152	FHW312
550153	FHW421
550157	FHW410
558000	FHM1095
558001	FHM556
558002	FHM555
558003	FHM1265
558004	FHM1076
558005	FHM1265
558006	FHM541
558009	FHM1081
558013	FHM1269
558019	FHM1170
558020	FHM1270
558034	FHM558
558035	FHM1261
558036	FHM560
558040	FHM558
558045	FHM1114
558048	FHM1287
558052	FHM568
558057	FHM568
558058	FHM606
558059	FHM1019
558062	FHM537
558063	FHM1262

...OPEL

FERODO

558070	FHM541
558071	FHM567
558074	FHM569
558078	FHM1210
558082	FHM1287
558083	FHM1287
558099	FHM1040
558100	FHM571
558101	FHM1119
558102	FHM1004
558103	FHM537
558107	FHM1233
558119	FHM1126
558168	FHM1004
558174	FHM1019
558184	FHM541
558185	FHM543
558191	FHM1270
558194	FHM556
558195	FHM557
562094	FHY2051
562095	FHY2092
562302	FHY2477
562304	FHY2399
562307	FHY2426
562321	FHY2143
562328	FHY2025
562339	FHY2307
562342	FHY2390
562343	FHY2067
562344	FHY2047
562345	FHY2053
562346	FHY2051
562349	FHY2330
562350	FHY2053
562352	FHY2161
562353	FHY2330
562358	FHY2053
562359	FHY2161
562364	FHY2237
562373	FHY2237
562377	FHY2238
562378	FHY2306
679315	FHC5096
2866166	FHW4097
03455822	FHW4204
3476452	FHM1262
3492538	FHM1076
3492616	FHM1233
3492913	FHM1170
3492930	FHM1126
3492954	FHM1081
3495542	FHM1269
3495649	FHM1270
4400036	FHM1151
4400037	FHM1231
4402883	FHW200
4500131	FHY2243

...OPEL

FERODO

4500132	FHY2242
4500936	FHW343
4500937	FHW362
4703055	FHM1209
5562078	FHY2239
5562079	FHY2241
5562230	FHY2476
5679301	FHC5096
5679312	FHC5097
8827184	FHY2355
9117554	FHM1019
9161236	FHW343
9161237	FHW362
9191262	FHY2476
9191263	FHY2477
9193225	FHM1019
9209092	FHW420
24407363	FHW228
90006865	FHM1270
90009593	FHW003
90297553	FHM1287
90465488	FHC5096
90578369	FHC5096
90578481	FHC5097
90581456	FHW410
97124878	FHY2306
97124879	FHY2307

OE INTERCHANGE

PEUGEOT

FERODO

4402E0	FHW407
4601E1	FHM663
49323	FHY2357
208604	FHC6018
208608	FHC6018
208610	FHC6025
208611	FHC6023
208613	FHC6023
209515	FHC5006
209517	FHC5006
209518	FHC5006
440124	FHW4208
440221	FHW4216
440238	FHW148
440240	FHW4339
440241	FHW4340
440243	FHW158
440244	FHW120
440247	FHW116
440248	FHW117
440249	FHW123
440250	FHW124
440251	FHW053
440253	FHW053
440254	FHW052
440255	FHW4215
440256	FHW170
440257	FHW054
440258	FHW325
440259	FHW105
440262	FHW098
440263	FHW099
440265	FHW039
440266	FHW040
440267	FHW056
440268	FHW057
440270	FHW149
440273	FHW036
440274	FHW037
440275	FHW035
440277	FHW015
440278	FHW016
440279	FHW133
440280	FHW134
440281	FHW213
440282	FHW064
440283	FHW065
440285	FHW212
440286	FHW062
440287	FHW063
440288	FHW072
440289	FHW073
440290	FHW047
440291	FHW048
440292	FHW215
440293	FHW045
440294	FHW046
440295	FHW202

...PEUGEOT

FERODO

440297	FHW086
440298	FHW087
460100	FHM624
4601E2	FHM664
460120	FHM1056
460131	FHM1173
460148	FHM1024
460153	FHM1021
460157	FHM524
460171	FHM582
460175	FHM639
460176	FHM1192
460180	FHM554
460183	FHM1016
460184	FHM1025
460185	FHM586
460187	FHM526
460188	FHM1016
460189	FHM525
460190	FHM1197
460192	FHM525
460194	FHM625
460195	FHM627
460196	FHM661
460197	FHM525
460198	FHM626
460199	FHM620
480180	FHM554
480619	FHY2002
480620	FHY2002
480621	FHY2013
480622	FHY2144
480623	FHY2013
480624	FHY2128
480625	FHY2128
480626	FHY2056
480627	FHY2150
480629	FHY2039
480630	FHY2074
480631	FHY2026
480632	FHY2038
480634	FHY2074
480635	FHY2139
480636	FHY2131
480637	FHY2037
480639	FHY2070
480640	FHY2063
480641	FHY2069
480642	FHY2062
480644	FHY2078
480645	FHY2079
480646	FHY2062
480647	FHY2308
480648	FHY2069
480650	FHY2026
480652	FHY2082
480653	FHY2027
480654	FHY2037

...PEUGEOT

FERODO

480656	FHY2085
480657	FHY2090
480658	FHY2078
480662	FHY2165
480663	FHY2087
480664	FHY2104
480667	FHY2261
480668	FHY2099
480670	FHY2169
480671	FHY2168
480672	FHY2264
480678	FHY2199
480679	FHY2198
480680	FHY2197
480681	FHY2099
480682	FHY2174
480685	FHY2173
480686	FHY2120
480691	FHY2121
480692	FHY2116
480693	FHY2048
480694	FHY2118
481619	FHY2014
481620	FHY2014
481622	FHY2192
481623	FHY2193
481624	FHY2028
481626	FHY2042
481627	FHY2182
481629	FHY2027
481631	FHY2264
481632	FHY2062
481635	FHY2264
486132	FHR7123
486138	FHR7109
486164	FHR7115
486165	FHR7107
486172	FHR7107
486173	FHR7124
486174	FHR7116
486175	FHR7130
486176	FHR7131
486177	FHR7132
486179	FHR7115
4601E3	FHM661
4.81E+06	FHY2120
15602400	FHY2147
15894200	FHY2147
15894292	FHY2147
42802400	FHY2147
4601E4	FHM1166
74713690	FHY2371
75046894	FHY2355
75061932	FHY2355
75061956	FHY2009
75061961	FHY2195
4601E5	FHM671
4601E6	FHM673

...PEUGEOT

FERODO

7910018158	FHY2193
7910021226	FHY2002
9750696080	FHY2150
4601E7	FHM675
4601E8	FHM823
4601E9	FHM827
4.81E+12	FHY2173
15911600 XA	FHY2357
4402A0	FHW091
4402A1	FHW092
4402A3	FHW233
4402A4	FHW244
4402A5	FHW235
4402A6	FHW334
4402A7	FHW214
4402A8	FHW222
4402A9	FHW237
4402C0	FHW238
4402C1	FHW231
4402C2	FHW232
4402C3	FHW222
4402C4	FHW237
4402C5	FHW238
4402C6	FHW333
4402C7	FHW342
4402C8	FHW358
4402C9	FHW406
4601A1	FHM1166
4601A2	FHM525
4601A3	FHM586
4601A4	FHM1207
4601A6	FHM1197
4601A7	FHM622
4601A8	FHM623
4601A9	FHM620
4601C0	FHM624
4601C1	FHM622
4601C2	FHM623
4601C8	FHM669
4601C9	FHM1171
4601D1	FHM670
4601D2	FHM1277
4601D3	FHM672
4601F0	FHM821
4601F1	FHM1027
4601F2	FHM826
4601F3	FHM1238
4601F4	FHM1027
4601F5	FHM1274
4601F6	FHM1122
4601F8	FHM1105
4601F9	FHM1099
4601G1	FHM823
4601G4	FHM1086
4601G9	FHM1238
4601H4	FHM586
4601H5	FHM1062
4601H8	FHM586

OE INTERCHANGE

...PEUGEOT

FERODO

4601J2	FHM1130
4601J4	FHM1062
4601J7	FHM663
4601J9	FHM661
4601K0	FHM1166
4601K8	FHM1208
4601N5	FHM1113
4601N6	FHM1235
4806A0	FHY2262
4806A1	FHY2251
4806A5	FHY2482
4806C1	FHY2240
4806C4	FHY2248
4806F3	FHY2263
4861A0	FHR7131
55544S	FHY2147

PORSCHE

FERODO

99635591000	FHM685
477611055E	FHW4047
477611071A	FHY2329

PROTON

FERODO

MB238151	FHY2383
MB587740	FHY2367

RENAULT

FERODO

16701	FHC6052
16901	FHC5033
8410251	FHY2017
8414009	FHY2016
8414039	FHY2145
8414040	FHY2015
8414236	FHY2002
8414237	FHY2182
8422177	FHY2146
8427528	FHY2043
8427529	FHY2052
0854697500	FHW147
0854697600	FHW146
0854697700	FHW025
0855860900	FHM1189
0855891200	FHM1189
0870313300	FHW147
0870313400	FHW146
0870313500	FHW025
5000388495	FHY2073
5000391976	FHM616
5000393657	FHW4135
5000393731	FHM1199
5000785431	FHC5015
5000815370	FHW4095
5000815514	FHW4066
5001000446	FHW149
5001000498	FHM616
5001847577	FHM1043
5001865106	FHW4066
5001865109	FHW4095
5001865111	FHW4135
5001865116	FHC5024
5001865117	FHC5015
5001867131	FHC5002
5010056380	FHC5108
5010260228	FHC5002
6001007399	FHR7117
6001547819	FHY2043
6025004479	FHM585
6025006304	FHR7105
6025105197	FHM1202
6025108701	FHR7105
6025108901	FHR7105
6025170405	FHM817
6025305984	FHY2119
6025307607	FHY2063
6025307608	FHY2072
6025370495	FHM1281
6025370500	FHM1116
7700301248	FHR7133
7700301730	FHR7133
7700302379	FHY2243
7700302380	FHY2242
7700302387	FHY2244
7700304968	FHY2123
7700304969	FHY2122
7700308909	FHY2043

OE INTERCHANGE

...RENAULT

FERODO

7700309009	FHY2073
7700313596	FHY2123
7700314792	FHY2309
7700416273	FHY2114
7700423975	FHY2115
7700512828	FHM1184
7700525690	FHM1092
7700531585	FHY2155
7700540403	FHW4266
7700540404	FHW4333
7700540425	FHY2160
7700541132	FHY2034
7700543284	FHW4245
7700545267	FHY2015
7700548977	FHM1168
7700554958	FHY2160
7700590483	FHM527
7700611612	FHR7118
7700616107	FHR7118
7700617297	FHM1182
7700617708	FHM519
7700618661	FHM519
7700618662	FHM1182
7700619240	FHY2160
7700624692	FHM519
7700631755	FHY2019
7700631756	FHY2200
7700634179	FHR7126
7700638947	FHM527
7700650845	FHW128
7700660977	FHM528
7700665654	FHM1028
7700666324	FHM589
7700666325	FHM1025
7700668132	FHY2200
7700674508	FHY2020
7700676965	FHY2017
7700678528	FHM1177
7700681968	FHY2182
7700694069	FHM1025
7700701834	FHM629
7700707146	FHM630
7700718329	FHM589
7700723303	FHM698
7700724410	FHM636
7700724411	FHM525
7700725424	FHR7120
7700726005	FHM525
7700734129	FHM561
7700734633	FHR7111
7700737184	FHM633
7700787630	FHM585
7700787634	FHM525
7700793558	FHM586
7700795275	FHM630
7700799540	FHM698
7700799541	FHM698
7700804076	FHM1280

...RENAULT

FERODO

7700804355	FHY2077
7700804356	FHY2064
7700804813	FHY2156
7700804814	FHY2075
7700804899	FHM820
7700804900	FHM585
7700804901	FHM525
7700810985	FHM1198
7700811704	FHY2108
7700811705	FHY2170
7700811706	FHY2110
7700818498	FHR7136
7700820232	FHM637
7700824736	FHY2064
7700829834	FHM820
7700832611	FHY2059
7700834731	FHY2107
7700834863	FHY2236
7700834990	FHY2231
7700840390	FHY2111
7701000239	FHY2145
7701001628	FHW147
7701001629	FHW146
7701002948	FHW095
7701002994	FHW146
7701002995	FHW147
7701017997	FHW113
7701020059	FHW121
7701020062	FHW122
7701024247	FHW129
7701024248	FHW130
7701024260	FHW113
7701024263	FHW121
7701024264	FHW122
7701024265	FHW116
7701024266	FHW117
7701025932	FHW131
7701025933	FHW131
7701025934	FHW145
7701025935	FHW145
7701026418	FHW146
7701026419	FHW147
7701027057	FHM616
7701027198	FHW134
7701027199	FHW133
7701027200	FHW016
7701027201	FHW015
7701028250	FHW017
7701028251	FHW018
7701030155	FHW200
7701031504	FHW133
7701031505	FHW134
7701032318	FHW138
7701032319	FHW139
7701032339	FHW427
7701032340	FHW431
7701032924	FHW068
7701032925	FHW069

...RENAULT

FERODO

7701033007	FHW015
7701033008	FHW016
7701033311	FHW4197
7701033312	FHW4210
7701033390	FHW347
7701033391	FHW346
7701033599	FHW4057
7701033600	FHW4069
7701033706	FHW4029
7701033707	FHW4043
7701034118	FHW188
7701034119	FHW187
7701034172	FHW145
7701034173	FHW131
7701034549	FHM630
7701035310	FHW346
7701035311	FHW347
7701035405	FHW075
7701035406	FHW076
7701035464	FHW089
7701035465	FHW074
7701035467	FHW103
7701035468	FHW102
7701035471	FHW086
7701035472	FHW087
7701035473	FHW090
7701035474	FHW088
7701035475	FHW133
7701035476	FHW134
7701035477	FHW105
7701036006	FHW178
7701036007	FHW179
7701036385	FHW084
7701036386	FHW085
7701036827	FHW211
7701039388	FHW084
7701039389	FHW085
7701039390	FHW103
7701039391	FHW102
7701039392	FHW086
7701039393	FHW087
7701039394	FHW090
7701039395	FHW088
7701039467	FHW221
7701040850	FHW229
7701041021	FHW222
7701042416	FHW359
7701043789	FHW348
7701043790	FHW349
7701043912	FHW323
7701043913	FHW403
7701044602	FHW343
7701044603	FHW362
7701044681	FHW4018
7701044850	FHW322
7701047236	FHW425
7701047838	FHW404
7701050073	FHY2310

...RENAULT

FERODO

7701067936	FHW138
7701067937	FHW139
7701203276	FHM1028
7701203718	FHM634
7701203719	FHM817
7701203914	FHM637
7701204103	FHM635
7701204110	FHM1279
7701204112	FHM1165
7701204590	FHY2108
7701204605	FHM586
7701204608	FHM586
7701204609	FHM820
7701204610	FHM820
7701204831	FHY2046
7701204915	FHM586
7701204918	FHM585
7701204966	FHM699
7701205094	FHM525
7701205132	FHM698
7701205213	FHM699
7701205286	FHM1151
7701205288	FHM1231
7701205295	FHM1165
7701205405	FHM1215
7701205407	FHM1216
7701205484	FHM635
7701205737	FHM1131
7701205739	FHM1137
7701205740	FHM1217
7701205742	FHM1142
7701205784	FHM1232
7701205815	FHM1218
7701205931	FHM1141
7701206229	FHM1178
7701206230	FHM1282
7701206231	FHM1229
7701206313	FHM1224
7701206792	FHM1178
7701207198	FHM1139
7701208355	FHW4136
7701348206	FHM519
7701348286	FHM1092
7701348321	FHR7118
7701348350	FHR7126
7701348726	FHM528
7701348758	FHY2016
7701348773	FHY2160
7701348799	FHY2145
7701348800	FHY2015
7701348912	FHY2200
7701348924	FHM527
7701349122	FHW134
7701349123	FHW133
7701349126	FHY2002
7701349127	FHY2017
7701349150	FHW107
7701349152	FHM1177

OE INTERCHANGE

...RENAULT

FERODO

7701349254	FHM1025
7701349268	FHY2146
7701349304	FHY2041
7701349306	FHR7110
7701349336	FHY2017
7701349337	FHY2182
7701349338	FHY2020
7701349391	FHW146
7701349392	FHW147
7701349537	FHM1182
7701349545	FHM589
7701349735	FHR7117
7701349762	FHM525
7701349782	FHR7120
7701349787	FHR7111
7701349788	FHR7105
7701349871	FHM586
7701365004	FHM1092
7701365033	FHW107
7701365089	FHW4245
7701365142	FHW147
7701365143	FHW146
7701365178	FHW4266
7701365179	FHW4333
7701365265	FHW146
7701365266	FHW147
7701365330	FHY2145
7701365375	FHW4266
7701365376	FHW4333
7701365377	FHW4245
7701365379	FHW107
7701365380	FHW147
7701365381	FHW146
7701365382	FHW025
7701365383	FHW095
7701365389	FHW146
7701365390	FHW147
7701365405	FHW116
7701365406	FHW117
7701365434	FHY2155
7701365465	FHW133
7701365466	FHW134
7701365519	FHW128
7701365777	FHW4245
7701365840	FHW149
7701452077	FHY2155
7701454063	FHY2016
7701454835	FHY2146
7701454836	FHY2015
7701582523	FHY2145
7702085308	FHY2203
7702145667	FHM561
7704001925	FHY2015
7704001928	FHY2019
7704001930	FHY2200
7704001932	FHY2020
7704001933	FHY2151
7704001934	FHY2151

...RENAULT

FERODO

7704001938	FHY2017
7704001939	FHY2488
7704001943	FHY2150
7704001948	FHY2017
7704001950	FHY2034
7704001951	FHY2156
7704001952	FHY2050
7704001954	FHY2041
7704001955	FHY2203
7704001956	FHY2036
7704001957	FHY2160
7704001958	FHY2160
7704002443	FHY2035
7704002444	FHY2036
7704002447	FHY2203
7704003549	FHY2034
7704003765	FHY2052
7704003846	FHY2046
7704003887	FHY2064
7704003905	FHY2052
7704003913	FHY2043
7704003922	FHY2075
7704003931	FHY2048
7704003949	FHY2064
7704003955	FHY2050
7704003957	FHY2063
7704003958	FHY2072
7704003959	FHY2204
7704003961	FHY2158
8200019096	FHY2107
8200020558	FHY2052
8200045573	FHY2063
8200045782	FHY2231
8200052863	FHY2236
8200057460	FHY2312
8200057462	FHY2312
8200086894	FHY2202
8200131599	FHY2231
8200249251	FHY2122
8200679271	FHY2123

ROVER

FERODO

11290	FHW159
21128	FHW161
91064	FHW160
136451	FHW4257
138928	FHC5077
243297	FHW4248
274841	FHC5056
533521	FHC6022
569126	FHC5056
569128	FHC5098
1708706	FHW4257
1708708	FHW4354
1714971	FHW4354
2696482	FHW4346
2696483	FHW4345
4241179	FHW4299
4241571	FHW4297
4241623	FHW4298
5039709	FHW4354
6374661	FHW4354
31824115	FHC6022
74966013	FHC6088
13H461	FHC6022
17H8152	FHW161
22A2233	FHC6022
22A233	FHC6022
37H2015	FHW160
37H4641	FHW4225
43300SF4003	FHW4222
43300ST3E010	FHW4052
43301ST3E010	FHW4045
AEU1714	FHC5037
ANR1756	FHY2375
GBH158	FHY2378
GBH90280	FHY2293
GBH90281	FHY2294
GBH90283	FHY2338
GBH90285	FHY2339
GBH90286	FHY2294
GBH90288	FHY2339
GBH90337	FHY2293
GMC1015	FHC5067
GMC232	FHM1244
GMC233	FHM1167
GMC243	FHM1241
GMC248	FHM1245
GMC250	FHM1079
GMC330	FHM1174
GSY105	FHC6087
GSY110	FHC6022
GSY117	FHC6105
GSY118	FHC6015
GWC1002	FHW161
GWC110	FHW4307
GWC1101	FHW4171
GWC1102	FHW161
GWC1103	FHW4194
GWC1104	FHW4354

...ROVER

FERODO

GWC111	FHW4308
GWC1110	FHW4257
GWC1112	FHW4353
GWC1116	FHW4300
GWC1121	FHW4349
GWC1122	FHW4309
GWC1129	FHW4225
GWC1131	FHW4226
GWC1139	FHW4061
GWC1142	FHW203
GWC1144	FHW4299
GWC1145	FHW4222
GWC1146	FHW4294
GWC1147	FHW4355
GWC1148	FHW331
GWC1150	FHW4294
GWC1151	FHW4222
GWC1152	FHW4269
GWC1153	FHW4271
GWC1155	FHW4061
GWC1202	FHW4244
GWC1205	FHW4310
GWC1208	FHW4347
GWC1211	FHW4297
GWC1212	FHW4299
GWC1213	FHW4298
GWC126	FHW160
GWC127	FHW159
GWC1311	FHW4350
GWC132	FHW330
GWC133	FHW329
GWC134	FHW093
GWC1502	FHW4348
GWC1518	FHW203
GWC1520	FHW327
GWC1521	FHW328
GWC1821	FHW093
GWC187	FHW331
GWC188	FHW4355
GWC201	FHW4346
GWC202	FHW4345
GWC901156	FHW4355
GWC901157	FHW331
GWC901159	FHW329
GWC901160	FHW330
GWC901161	FHW4271
GWC901162	FHW4269
GWC901523	FHW327
GWC901524	FHW328
GWC901634	FHW4052
GWC901635	FHW4045
HWC1129	FHW4225
NRC4401	FHY2375
NRC7874	FHY2382
NRC9455	FHY2381
NRC9458	FHY2355
RTC3778	FHW4307
RTC3879	FHW4308

OE INTERCHANGE

...ROVER

FERODO

RTC7218	FHC6088
SHB10001	FHY2157
SHB10006	FHY2402
SHB100560	FHY2293
SHB100720	FHY2339
SHB100790	FHY2339
SHB100920	FHY2294
SHB100930	FHY2293
SML100070	FHW093

SAAB

FERODO

4002341	FHY2461
4241444	FHY2053
4384079	FHC5057
4385001	FHC5081
4426474	FHY2461
4426490	FHY2461
4483285	FHY2161
4543427	FHY2459
4565719	FHY2051
4610663	FHC5057
4610671	FHC5081
4610697	FHC5061
4776308	FHC6038
4837076	FHY2389
7162421	FHW161
7594039	FHC5057
8729840	FHC6038
8781189	FHC6039
8926362	FHY2350
8931784	FHY2350
8940819	FHY2349
8944977	FHC5061
8944985	FHC5110
8948135	FHM818
8956575	FHY2389
8957169	FHC5081
8965139	FHY2389
8969206	FHY2389
8993859	FHM1220
8993917	FHM818
9100652	FHM818
9101650	FHY2351
9102575	FHM1220

SMART

FERODO

0004331V002	FHW411
0004332V002	FHW412
0005702V001	FHM1236
0006644V001	FHW402
0006645V001	FHW401
0012154V001	FHM1236
0012158V001	FHM1236
C0004331V002000000	FHW411
C0004332V002000000	FHW412

SUBARU

FERODO

625200372	FHW4326
625200470	FHW4328
725177310	FHW4221
725177750	FHW4149
725177751	FHW4149
25177GA350	FHW4326
25177GA360	FHW4328
26256AA000	FHW4212
26256AA010	FHW4252

OE INTERCHANGE

SUZUKI

FERODO

5154080150	FHY2396
5154080151	FHY2396
5154085752	FHY2395
5240184010	FHW4124
5340058040	FHW4188
5340080040	FHW4188
5340160010	FHW4187
5340173040	FHW4187
5340180040	FHW4187
5340182030	FHW4366
5340183310	FHW4199
5340184010	FHW4124
5340184011	FHW4124
5340186040	FHW4087
5340258040	FHW4188
5340280040	FHW4188
5340283040	FHW4203
5340283300	FHW4186
5340283310	FHW4186
00000A00159	FHW4050
00000A00529	FHW4127
00000A00721	FHM1152
00000A01221	FHW4050
5154060A31	FHY2290
5158063800	FHY2462
5159060800	FHY2442
5340156A00	FHW4238
5340156B00	FHW4374
5340156B60	FHW4213
5340160A00	FHW4200
5340163B00	FHW4155
5340175F00	FHW4036
5340176G00	FHW4036
5340256B00	FHW4373
5340256B60	FHW4214
5340260A00	FHW4159
5340263B00	FHW4112
5340360A00	FHW4159
B911126210	FHY2395

TOYOTA

FERODO

3141012121	FHC5099
3141012160	FHC5099
3141012162	FHC5099
3141012330	FHC5088
3141012340	FHC5062
3141012350	FHC5062
3141012370	FHC5088
3141012380	FHC5062
3141020290	FHC5080
3141020291	FHC5080
3141020421	FHC5080
3141035140	FHC5100
3141035142	FHC5100
3141035231	FHC5103
3141035250	FHC5103
3141035260	FHC5089
3141060190	FHC5102
3141060192	FHC5102
3141060212	FHC5102
3141060340	FHC5102
3147010012	FHC6048
3147010040	FHC6077
3147012040	FHC6071
3147012041	FHC6071
3147012042	FHC6071
3147012043	FHC6071
3147012060	FHC6077
3147012090	FHC6091
3147012091	FHC6060
3147012092	FHC6060
3147012093	FHC6060
3147014020	FHC6080
3147014021	FHC6080
3147014030	FHC6080
3147014031	FHC6080
3147020131	FHC6055
3147020150	FHC6081
3147020151	FHC6081
3147020190	FHC6080
3147020191	FHC6080
3147021090	FHC6080
3147021091	FHC6080
3147030220	FHC6073
3147030221	FHC6073
3147030222	FHC6073
3147030260	FHC6055
3147032010	FHC6066
3147032020	FHC6066
3147032022	FHC6066
3147032030	FHC6089
3147032031	FHC6089
3147032032	FHC6089
3147035040	FHC6055
3147035041	FHC6055
3147035050	FHC6055
3147035070	FHC6055
3147035071	FHC6055

...TOYOTA

FERODO

4720112630	FHM1271
4720135120	FHM1254
4720160120	FHM1256
4720160129	FHM1256
4720160210	FHM1256
4720160290	FHM1255
4755002040	FHW176
4755002050	FHW4364
4755005010	FHW4334
4755005020	FHW4180
4755005030	FHW422
4755010042	FHW313
4755012020	FHW4316
4755012030	FHW4316
4755012060	FHW4317
4755012090	FHW4092
4755016010	FHW4068
4755016030	FHW4092
4755016060	FHW4092
4755019045	FHW4223
4755019065	FHW4316
4755019095	FHW313
4755019096	FHW313
4755019097	FHW313
4755019115	FHW4217
4755019116	FHW4217
4755019117	FHW4217
4755019125	FHW4223
4755019135	FHW4317
4755019155	FHW4092
4755020120	FHW4092
4755020121	FHW4092
4755020130	FHW176
4755020150	FHW4106
4755020211	FHW4263
4755026090	FHW4148
4755026100	FHW4320
4755026110	FHW4371
4755028020	FHW4241
4755029025	FHW4317
4755029026	FHW4317
4755029035	FHW4317
4755029105	FHW4316
4755029106	FHW4316
4755029115	FHW4317
4755029125	FHW4316
4755029175	FHW4320
4755029265	FHW4148
4755029275	FHW4320
4755029305	FHW4177
4755030100	FHW4176
4755030120	FHW4287
4755030130	FHW4325
4755032010	FHW176
4755035160	FHW4177
4755035170	FHW4240
4755035190	FHW4332
4755035200	FHW4371

...TOYOTA

FERODO

4755035210	FHW4189
4755039115	FHW4148
4755039125	FHW4177
4755039175	FHW4246
4755039215	FHW4287
4755039275	FHW4325
4755039285	FHW176
4755042010	FHW4123
4755042020	FHW4335
4755044010	FHW4270
4755050200	FHW4180
4755052010	FHW4233
4755052011	FHW4114
4755060120	FHW4189
4755060130	FHW4325
4755069105	FHW4189
4757002050	FHW4363
4757005010	FHW4247
4757005020	FHW4179
4757005030	FHW423
4757010042	FHW313
4757012030	FHW4068
4757016010	FHW4068
4757016040	FHW4068
4757016060	FHW055
4757019035	FHW4068
4757019095	FHW313
4757019096	FHW313
4757019097	FHW313
4757020030	FHW4068
4757020031	FHW4068
4757020040	FHW177
4757020060	FHW4111
4757020080	FHW177
4757020101	FHW4264
4757020180	FHW176
4757025011	FHW055
4757032010	FHW177
4757032020	FHW4286
4757039115	FHW177
4757050200	FHW4179
4757052010	FHW4166
4757052011	FHW4096
4775019155	FHW4092
4775032010	FHW176
9008094060	FHY2211
9008094061	FHY2213
9008094065	FHY2215
9008094066	FHY2214
9008094067	FHY2215
9008094094	FHY2333
9008094095	FHY2334
9094702454	FHY2153
9094702455	FHY2153
9094702472	FHY2404
9094702497	FHY2404
9094702532	FHY2394
9094702533	FHY2404

OE INTERCHANGE

...TOYOTA

FERODO

9094702548	FHY2404
9094702550	FHY2153
9094702634	FHY2451
9094702668	FHY2335
9094702694	FHY2467
9094702742	FHY2435
9094702750	FHY2335
9094702781	FHY2470
9094702782	FHY2471
9094702821	FHY2435
9094702875	FHY2333
9094702876	FHY2334
9094702887	FHY2435
28296AA010	FHW4252
475500D010	FHW450
475700D010	FHW450
9094702C30	FHY2218
9094702C31	FHY2216
9094702C32	FHY2217

VOLKSWAGON

FERODO

113611017	FHM1015
113611021	FHM515
113611067	FHW4049
113611775	FHY2328
131611055	FHW4062
131611057	FHW4022
171611019	FHM576
171611053	FHW004
171611775	FHY2000
181611701	FHY2329
191611019	FHM585
191611701	FHY2076
191612151	FHR7100
192611019	FHM585
200611021	FHM515
251611047	FHW216
251611775	FHY2345
251721263	FHC6014
281611047	FHW4031
281611775	FHY2033
291611047	FHW4039
309611051	FHW010
309611053	FHW010
322611019	FHM1264
331611053	FHW010
357611019	FHM1014
357612151	FHR7100
357721261	FHC6002
357721401	FHC5008
361611067	FHW4049
431721261	FHC6016
433611707	FHY2029
437611775	FHY2033
443611707	FHY2029
443611755	FHY2040
443611775	FHY2040
443721261	FHC6016
481611775	FHY2033
481611776	FHY2000
701611019	FHM1201
701611047	FHW4098
701611701	FHY2066
702611019	FHM1201
721611047	FHW4003
803611775	FHY2194
810611707	FHY2353
811611019	FHM576
823611707	FHY2076
839611021	FHM1259
853611019	FHM607
857721261	FHC6016
857721401	FHC5068
861611053	FHW030
893611019	FHM607
893611707	FHY2088
893611775	FHY2212
3096110511	FHW010
3096110531	FHW010

...VOLKSWAGON

FERODO

113611015AH	FHM1015
113611015AM	FHM1193
113611015AR	FHM515
113611015AS	FHM515
113611015BC	FHM1015
113611015BD	FHM1015
113611015BF	FHM1015
113611015BG	FHM515
113611015BH	FHM1193
113611015BJ	FHM515
113611015BL	FHM1015
113611015BN	FHM515
113611015BP	FHM515
113611015R	FHM515
113611017A	FHM1015
113611017B	FHM1015
113611017C	FHM1015
113611017D	FHM1015
113611017E	FHM1015
113611017F	FHM515
113611017G	FHM515
113611017H	FHM515
113611017J	FHM1015
113611017K	FHM1015
113611017L	FHM515
113611021A	FHM515
113611021B	FHM515
113611021C	FHM515
113611021D	FHM515
113611021F	FHM1044
113611021G	FHM1044
113611023B	FHM1044
113611053A	FHW4013
113611053B	FHW4013
113611055C	FHW4063
113611057A	FHW4101
113611057B	FHW4101
113611701D	FHY2372
113611701E	FHY2317
131611055A	FHW4062
171611015A	FHM1260
171611015AF	FHM1260
171611015C	FHM1260
171611015D	FHM1260
171611015M	FHM1260
171611015R	FHM1260
171611015S	FHM1260
171611015T	FHM1260
171611015Y	FHM1260
171611019A	FHM1006
171611019B	FHM576
171611019C	FHM1006
171611019D	FHM576
171611019E	FHM1006
171611019H	FHM1006
171611019N	FHM1006
171611051A	FHW004
171611051B	FHW004

...VOLKSWAGON

FERODO

171611053A	FHW004
171611701G	FHY2076
171611701K	FHY2031
171611701L	FHY2076
171611775A	FHY2000
172611019A	FHM1006
175611701A	FHY2076
1916110190Z	FHM585
191611701A	FHY2416
191612151C	FHR7100
192611019B	FHM1002
1H0611053	FHW339
1H0611053A	FHW4033
1H0611053B	FHW4099
1H0611053C	FHW4278
1H0611701	FHY2089
1H0611775	FHY2162
1H0612151	FHR7106
1H0612151C	FHR7119
1H0612151E	FHR7119
1H1611019	FHM570
1H1611019A	FHM570
1H1611019B	FHM1002
1H1611019C	FHM570
1H1721401	FHC5028
1H2611019	FHM570
1H2698019	FHM1140
1J0611701	FHY2223
1J0611701D	FHY2210
1J0611701E	FHY2210
1J0611701G	FHY2210
1J0611763AD	FHY2517
1J0611763K	FHY2517
1J0611763R	FHY2517
1J0611764AD	FHY2518
1J0611764K	FHY2518
1J0611764R	FHY2518
1J0611775	FHY2208
1J0721261D	FHC6033
1J0721261H	FHC6033
1J0721261J	FHC6033
1J1614019	FHM687
1J1721388A	FHC5050
1J1721388C	FHC5050
1J1721388D	FHC5050
1J1721388E	FHC5050
1J2721388A	FHC5058
1J2721388C	FHC5058
1K0721261	FHC6078
1K0721261A	FHC6078
1K0721261B	FHC6078
1K0721261F	FHC6078
1K0721261G	FHC6078
211611021AE	FHM1257
211611021AF	FHM1257
211611021AG	FHM1257
211611021AJ	FHM1257
211611021AK	FHM1257

OE INTERCHANGE

...VOLKSWAGON

FERODO

211611021AQ	FHM1257
211611047D	FHW216
211611047E	FHW216
211611047F	FHW216
211611775B	FHY2328
211611775C	FHY2346
251611021B	FHM1087
251611021C	FHM1101
251611021D	FHM1087
251611021E	FHM1101
251611775A	FHY2345
251611775B	FHY2406
251721263A	FHC6014
251721401A	FHC5017
281611775B	FHY2033
291611047A	FHW4202
291611047B	FHW4202
2D0611019C	FHM1005
2D0611701	FHY2305
2D0611701B	FHY2305
2D0721261	FHC6045
2D0721401	FHC5066
311611067A	FHW4104
311611067B	FHW4104
311611067C	FHW4104
321611019A	FHM1259
321611019E	FHM1259
321611019N	FHM590
321611053A	FHW010
321611701B	FHY2076
321611701C	FHY2031
321611701D	FHY2031
322611019A	FHM607
331611051A	FHW010
331611053A	FHW010
331611053B	FHW010
331611058A	FHW010
331698051A	FHW010
357611019A	FHM1002
357611019B	FHM1002
357611053B	FHW059
357612151A	FHR7100
357721261A	FHC6002
361611067A	FHW4049
3A0611053	FHW4004
3A1698019	FHM1103
3A1721388	FHC5025
411611067A	FHW4104
431611775A	FHY2054
431611775B	FHY2012
433611755A	FHY2054
433611775A	FHY2054
443611707C	FHY2391
443611775A	FHY2012
443611775C	FHY2029
443611775F	FHY2393
4A0611707	FHY2318
4A0611775	FHY2415

...VOLKSWAGON

FERODO

4B0611775	FHY2448
4B0611775A	FHY2458
4B0611775B	FHY2458
4B0611775C	FHY2458
4D0611021	FHM1050
4D0611021A	FHM1050
4D0611021B	FHM1123
4D0611707D	FHY2433
4D0611775A	FHY2431
4D0611775C	FHY2432
6K2611019E	FHM1162
6K9611776	FHY2457
6N0611053	FHW429
6N0611701A	FHY2446
6N0611701B	FHY2446
6N0611775A	FHY2207
6N0614019	FHM1140
6N1614019A	FHM1161
6Q0611019E	FHM1115
6Q0721388A	FHC5058
6Q0721388C	FHC5058
6U0611701A	FHY2096
6X0611775	FHY2208
701611701A	FHY2444
7D0611019A	FHM1211
7M0611019	FHM1214
7M0611701D	FHY2285
7M0611775E	FHY2205
7M0611776B	FHY2286
7M0611776C	FHY2286
7M1611019	FHM1051
7M3611701A	FHY2206
7M3611701B	FHY2206
801611707C	FHY2055
811611019B	FHM1006
811611019D	FHM576
811611019Q	FHM1264
811611775A	FHY2410
843611021C	FHM1259
849611707A	FHY2076
853611019A	FHM607
857721401A	FHC5068
861611019A	FHM504
861611019C	FHM504
861611051A	FHW005
861611053A	FHW005
861611707B	FHY2055
861611707C	FHY2055
867611019A	FHM504
893611019A	FHM607
893611019E	FHM607
893611021B	FHM607
893611775A	FHY2033
8A0611775	FHY2412
8A0611775A	FHY2414
8A0611775D	FHY2413
8D0611021A	FHM685
8D0611707	FHY2166

...VOLKSWAGON

FERODO

8D0611707B	FHY2166
8D0611707D	FHY2166
8D0611775B	FHY2246
8D0611775C	FHY2414
8D0611775D	FHY2441
8D0611775E	FHY2245
8D0611775F	FHY2412
8D0611775J	FHY2247
8D0721257	FHC6064
8D1721401B	FHC5053
8E0611775	FHY2412
8E0611775B	FHY2224
8E0611775C	FHY2458
8E0611775J	FHY2224
J4755035190	FHW4332

VOLVO

FERODO

671216	FHW4181
1205733	FHC6046
1205894	FHM501
1205977	FHY2373
1229100	FHY2373
1229347	FHY2001
1273681	FHC6046
1329594	FHY2403
1329611	FHY2428
1329740	FHM608
1387779	FHM608
3204990	FHY2149
3268705	FHY2012
3412685	FHY2398
3430408	FHY2397
3446569	FHY2376
3447432	FHY2319
3485043	FHY2319
3516987	FHM608
3546535	FHY2428
3546813	FHY2428
6023398	FHW026
6819749	FHM608
8410251	FHY2017
8414009	FHY2016
8414018	FHY2160
8414039	FHY2145
8414040	FHY2015
8414236	FHY2002
8414237	FHY2182
8422177	FHY2146
8427528	FHY2043
8601783	FHC6046
9157386	FHY2456
12057337	FHC6046
12058939	FHM500
12058947	FHM501
12291001	FHY2373
12293478	FHY2001
12736815	FHC6046
13292910	FHY2030
13295944	FHY2403
13296116	FHY2428
13297403	FHM608
13302484	FHC5083
13307996	FHM500
13308002	FHM501
13877790	FHM608
30714432	FHY2456
30821264	FHY2221
30862413	FHY2221
30862414	FHY2220
30870880	FHY2220
32049900	FHY2149
32673147	FHW026
32687055	FHY2012
32777591	FHM592
32778318	FHW100

OE INTERCHANGE

...VOLVO

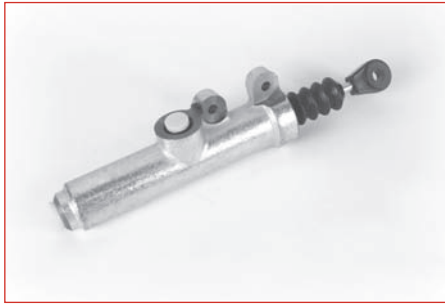
FERODO

FERODO

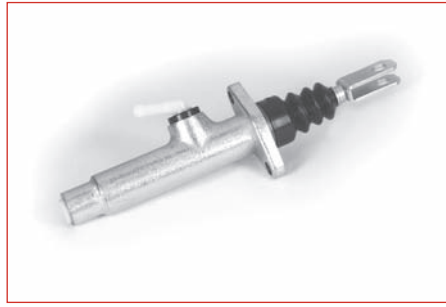
FERODO

FERODO

32879942	FHM592
33429150	FHM592
33429911	FHM592
33434374	FHW219
33434382	FHW220
33439316	FHM592
34126854	FHY2398
34304089	FHY2397
34465690	FHY2376
34477320	FHY2319
35165687	FHY2259
35169879	FHM608
35468131	FHY2428
68197490	FHM608
68439132	FHC6046
81110060	FHM501
86020179	FHM608
91573865	FHY2456
181110050	FHM500
308212646	FHY2221
308624139	FHY2221
308624147	FHY2220
308708809	FHY2220



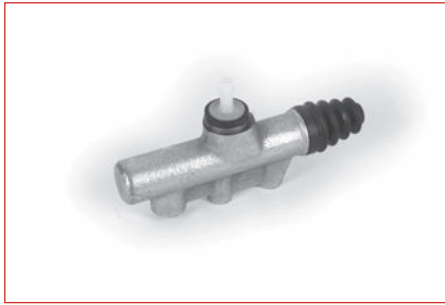
FHC003



FHC5004



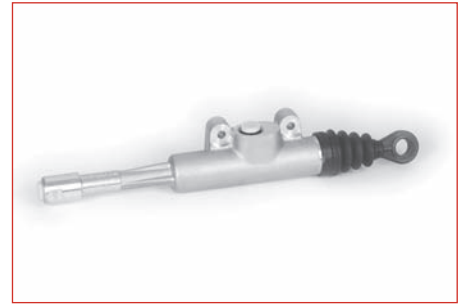
FHC5011



FHC5017



FHC5019



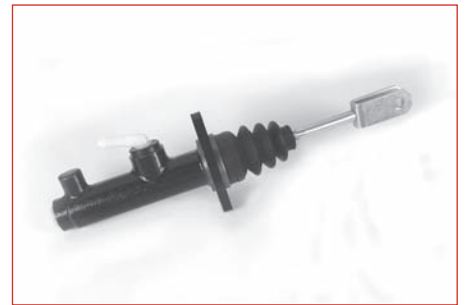
FHC5022



FHC5026



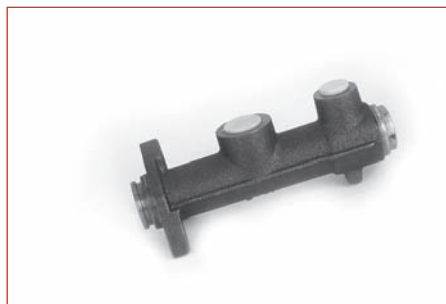
FHC5028



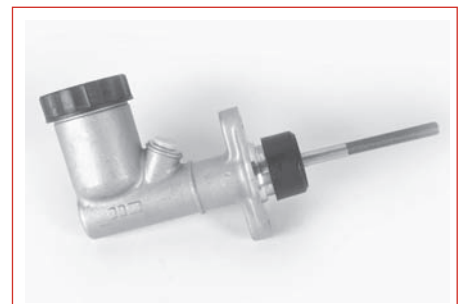
FHC5029



FHC5032



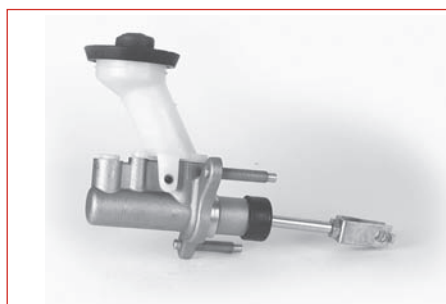
FHC5042



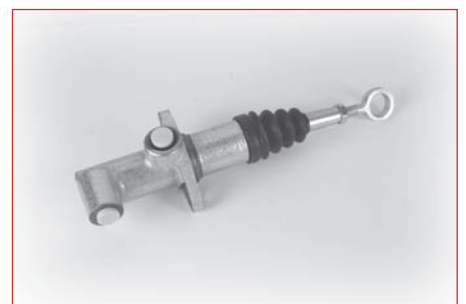
FHC5043



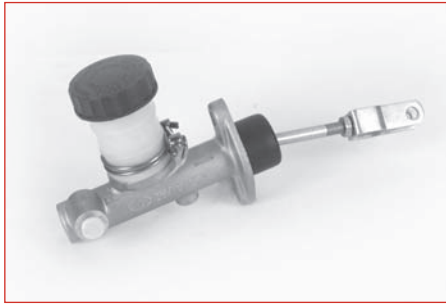
FHC5056



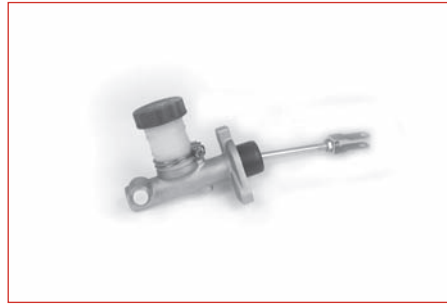
FHC5062



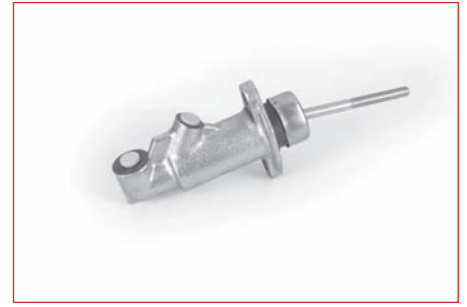
FHC5073



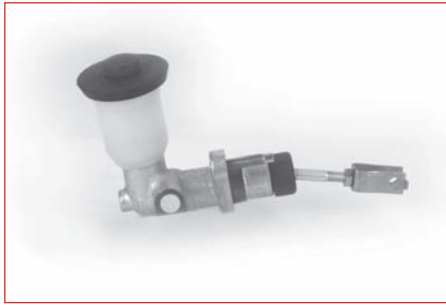
FHC5085



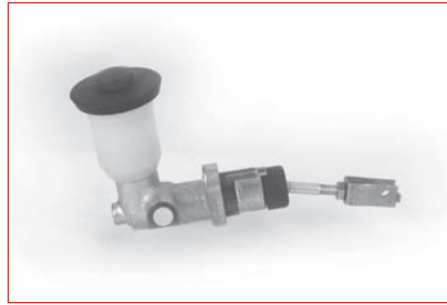
FHC5086



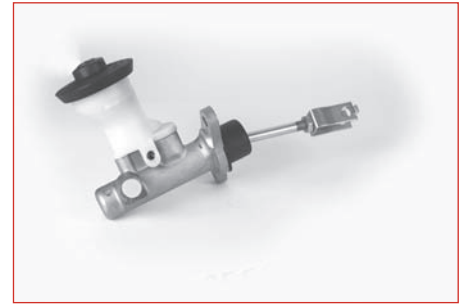
FHC5098



FHC5099



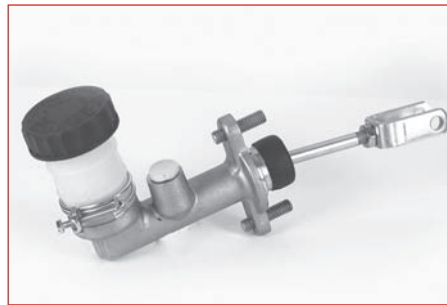
FHC5100



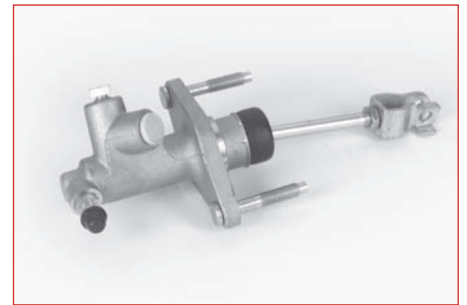
FHC5103



FHC5104



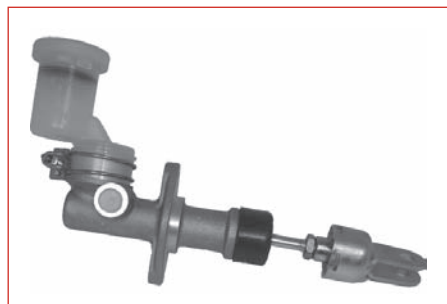
FHC5105



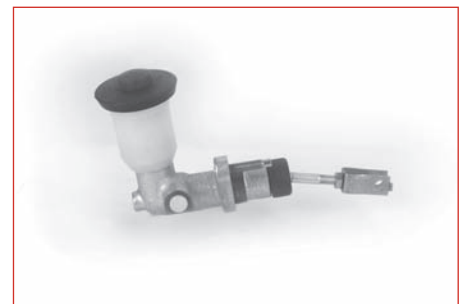
FHC5106



FHC5107



FHC5147



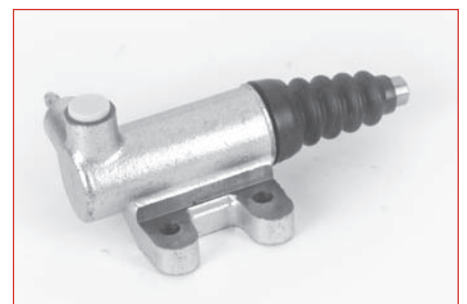
FHC5148



FHC5149



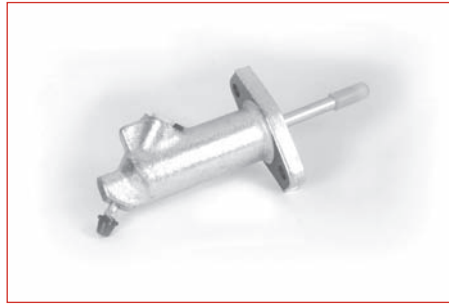
FHC5151



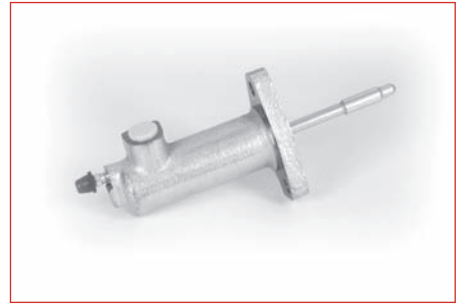
FHC6000



FHC6001



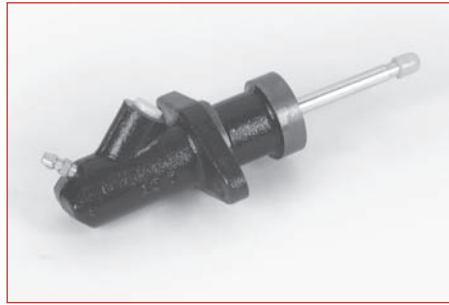
FHC6007



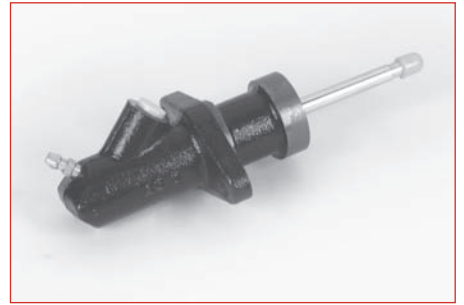
FHC6008



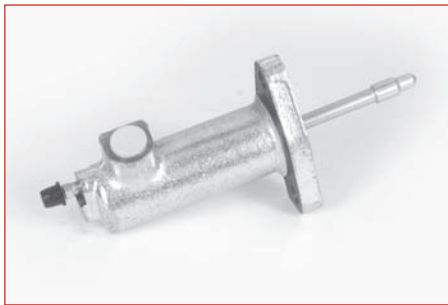
FHC6009



FHC6010



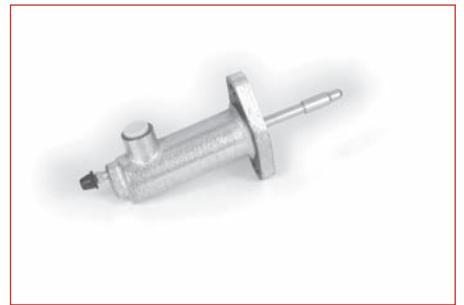
FHC6011



FHC6013



FHC6014



FHC6017



FHC6022



FHC6034



FHC6041



FHC6044



FHC6048



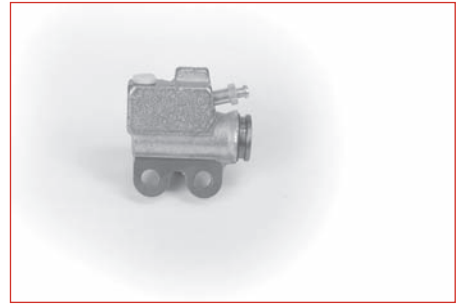
FHC6053



FHC6055



FHC6060



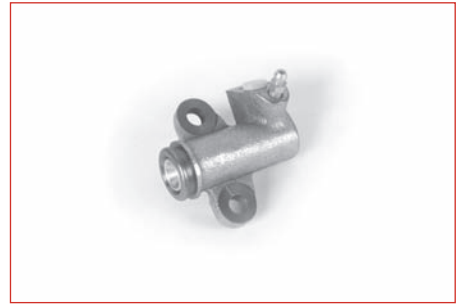
FHC6061



FHC6064



FHC6066



FHC6070



FHC6071



FHC6072



FHC6073



FHC6075



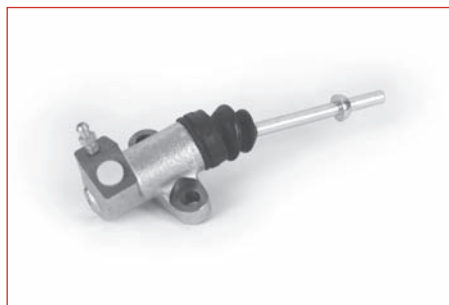
FHC6077



FHC6080



FHC6081



FHC6082



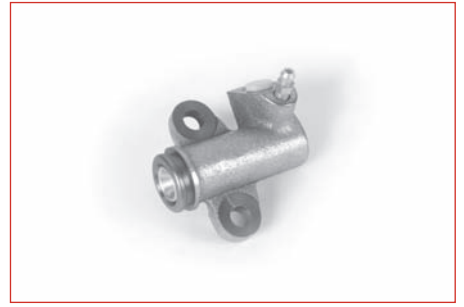
FHC6083



FHC6090



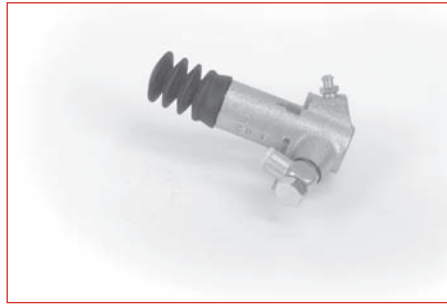
FHC6091



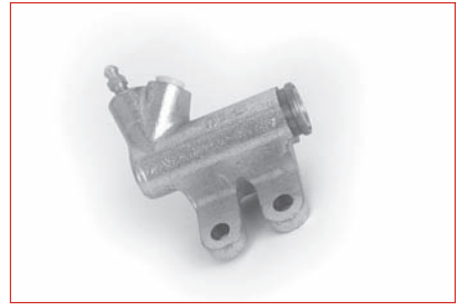
FHC6093



FHC6097



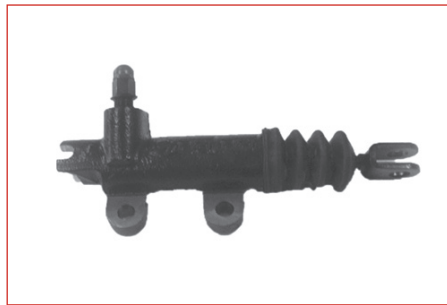
FHC6110



FHC6112



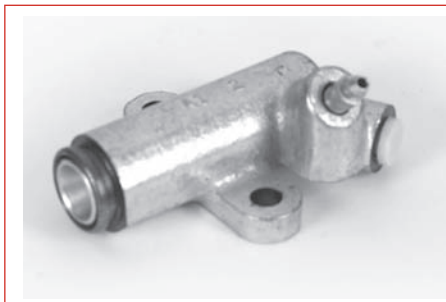
FHC6151



FHC6158



FHC6159



FHC6160



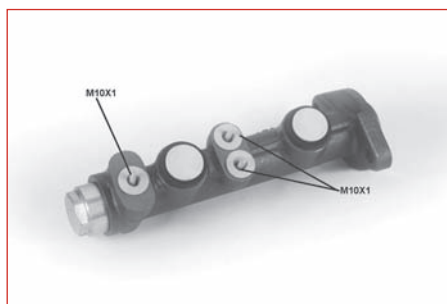
FHC6161



FHC6162



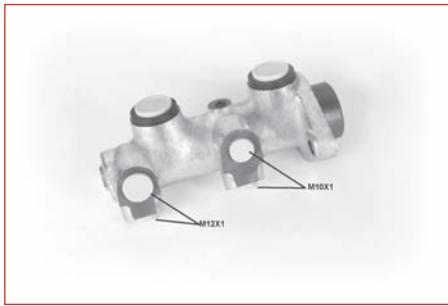
FHC6163



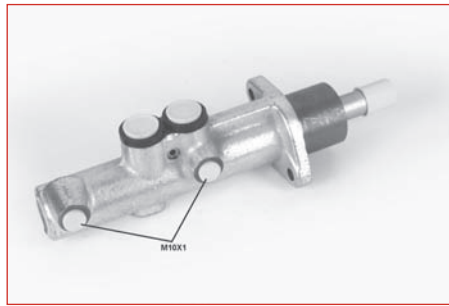
FHM1000



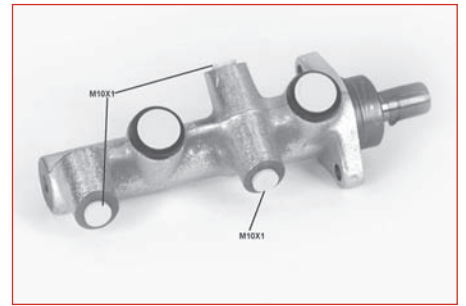
FHM1002



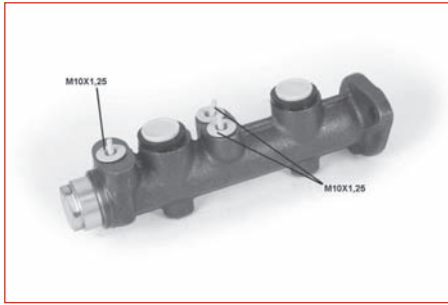
FHM1004



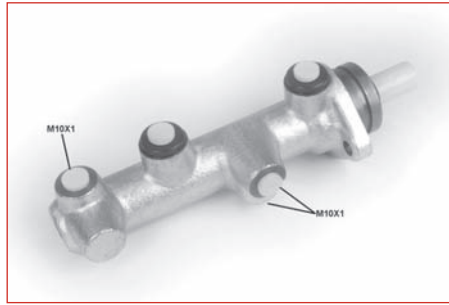
FHM1005



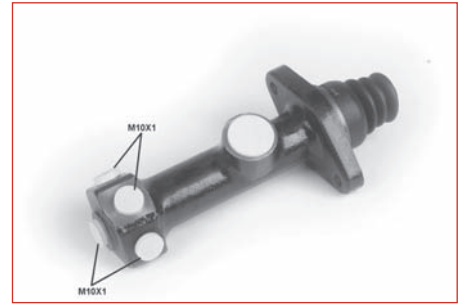
FHM1007



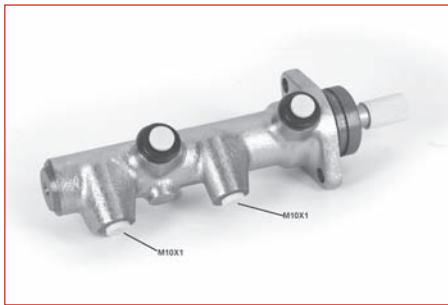
FHM1032



FHM1036



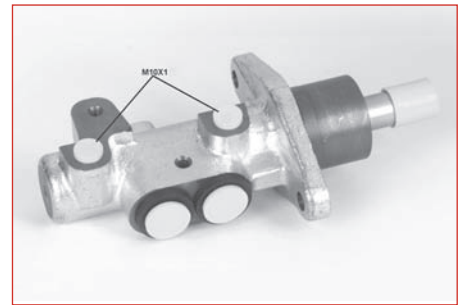
FHM1044



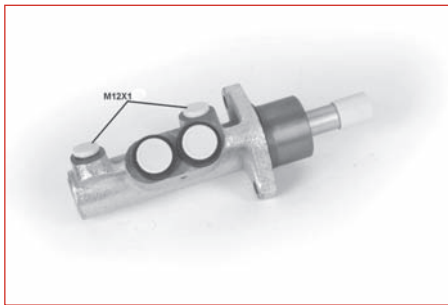
FHM1085



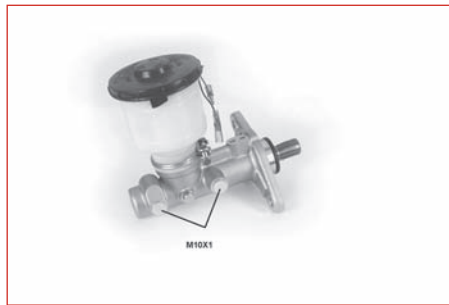
FHM1101



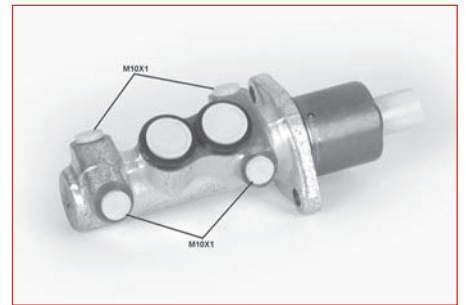
FHM1103



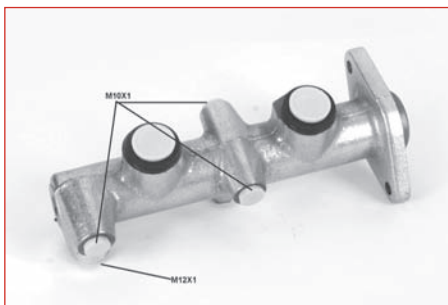
FHM1140



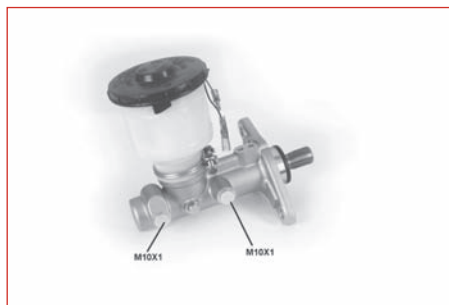
FHM1154



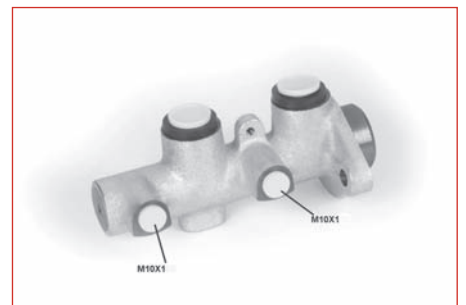
FHM1163



FHM1164



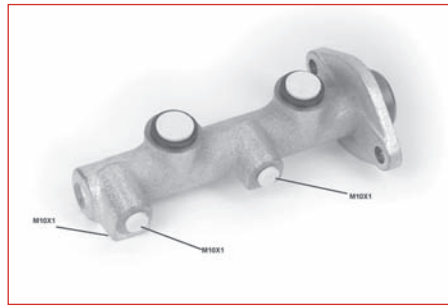
FHM1167



FHM1175



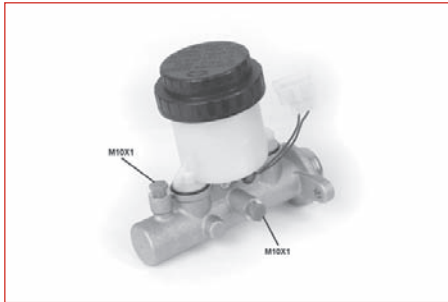
FHM1176



FHM1185



FHM1213



FHM1250



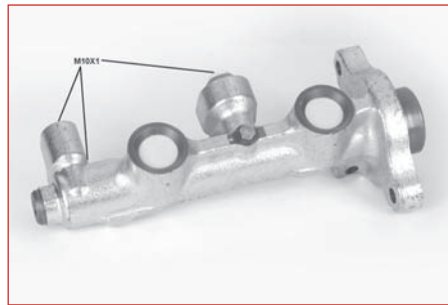
FHM1253



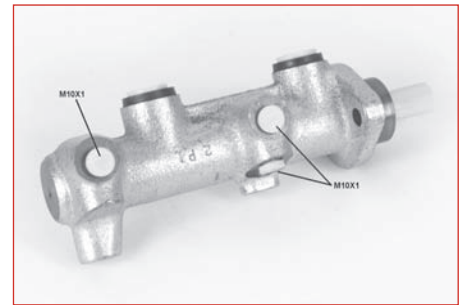
FHM1254



FHM1255



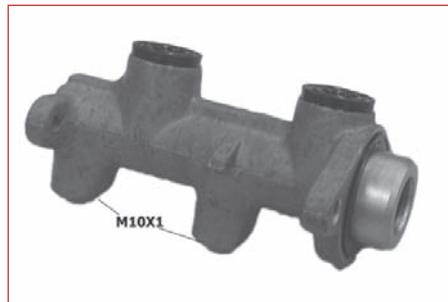
FHM1262



FHM1263



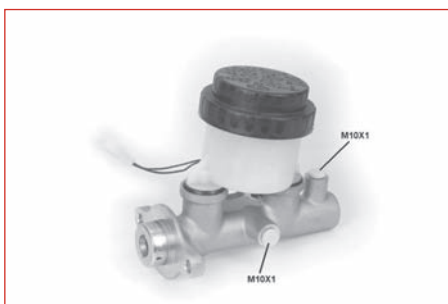
FHM1401



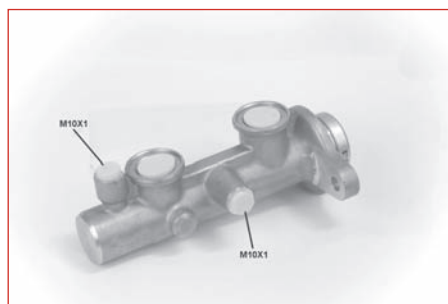
FHM1402



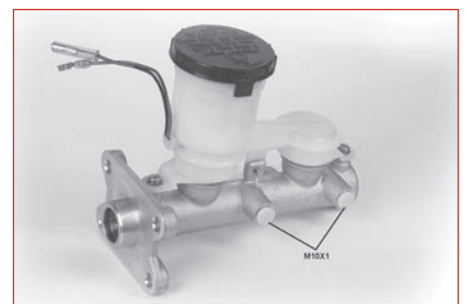
FHM1403



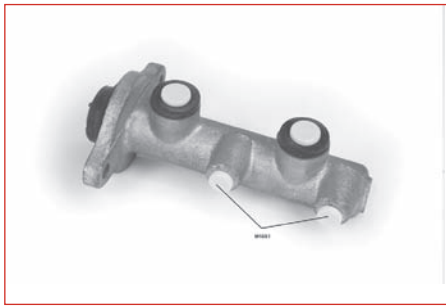
FHM1404



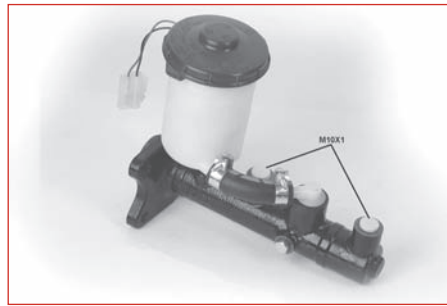
FHM1405



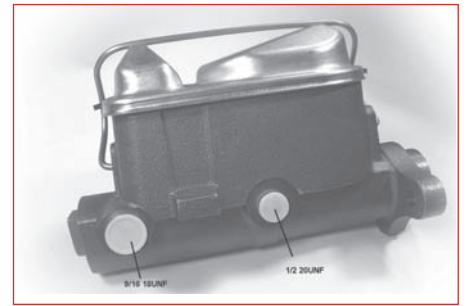
FHM1407



FHM1408



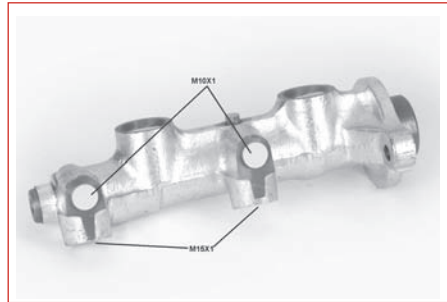
FHM1409



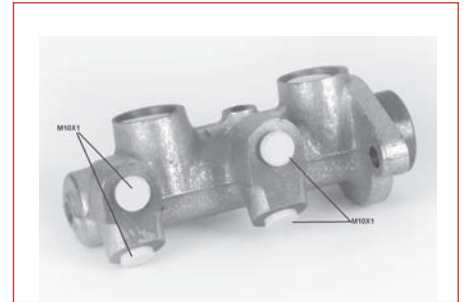
FHM1410



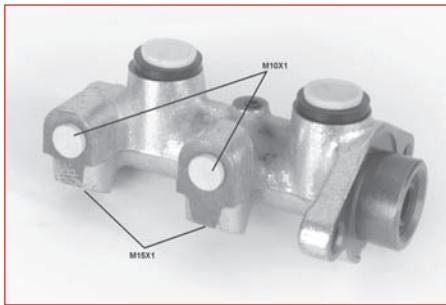
FHM1411



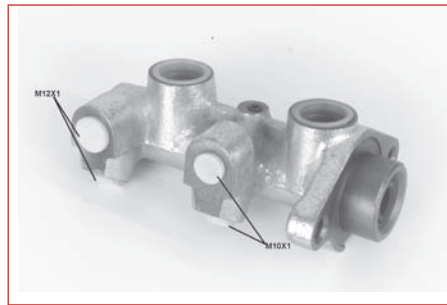
FHM541



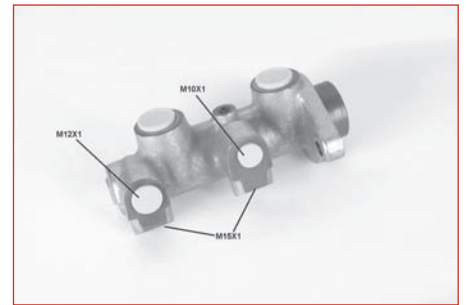
FHM556



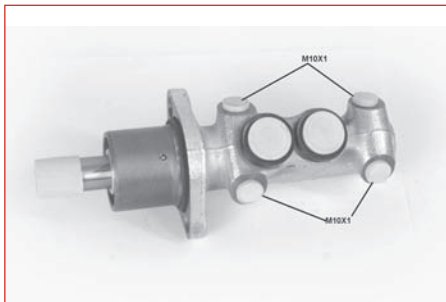
FHM557



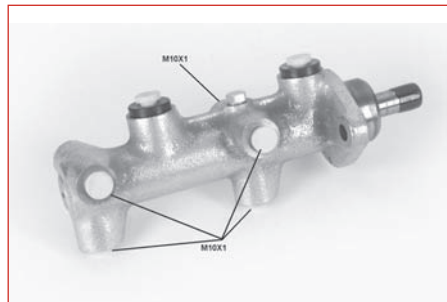
FHM558



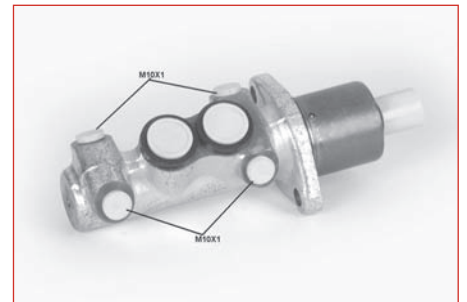
FHM567



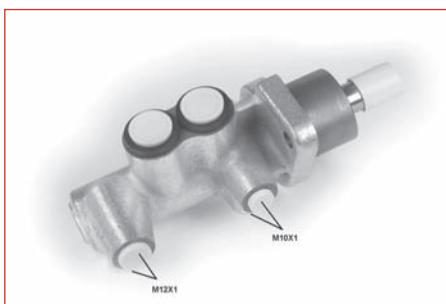
FHM570



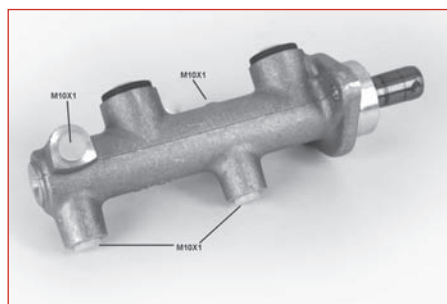
FHM576



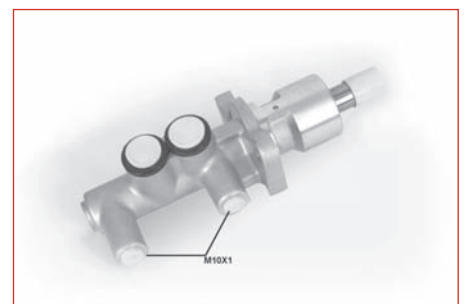
FHM585



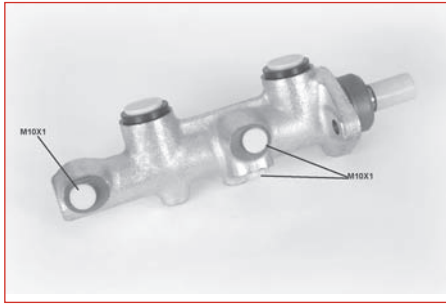
FHM606



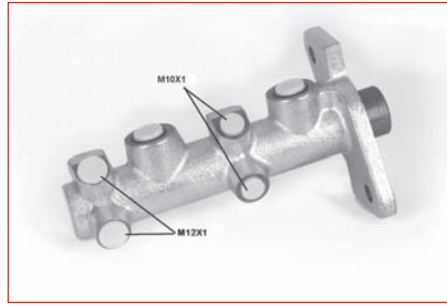
FHM612



FHM681



FHM686



FHM695



FHW004



FHW010



FHW013



FHW021



FHW026



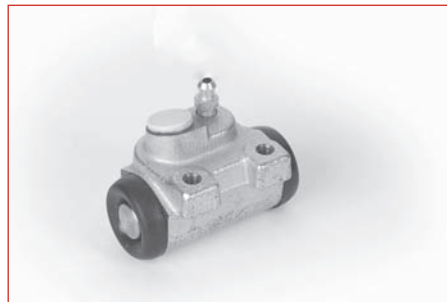
FHW027



FHW030



FHW036



FHW037



FHW0358



FHW041



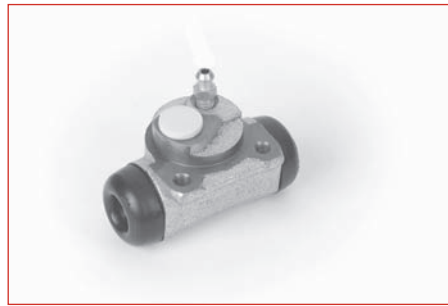
FHW051



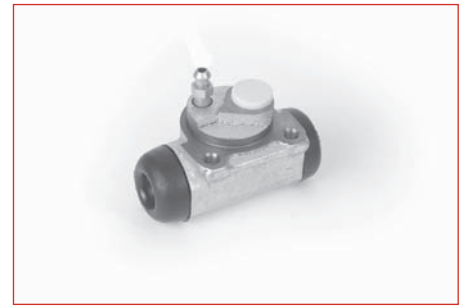
FHW055



FHW058



FHW086



FHW087



FHW093



FHW116



FHW117



FHW133



FHW134



FHW140



FHW152



FHW159



FHW160



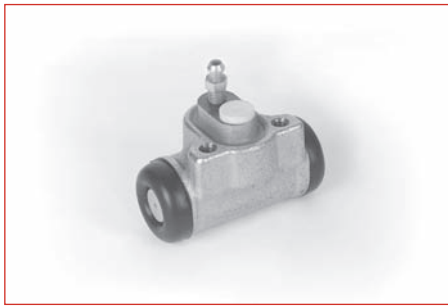
FHW161



FHW168



FHW169



FHW193



FHW195



FHW203



FHW207



FHW208



FHW216



FHW222



FHW224



FHW227



FHW312



FHW322



FHW333



FHW337



FHW338



FHW4013



FHW4016



FHW4020



FHW4022



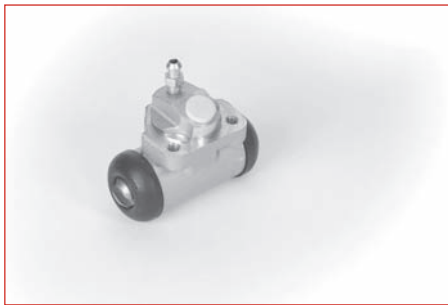
FHW4062



FHW4063



FHW4068



FHW4077



FHW4080



FHW4081



FHW4084



FHW4092



FHW4107



FHW4118



FHW4121



FHW4128



FHW4144



FHW4145



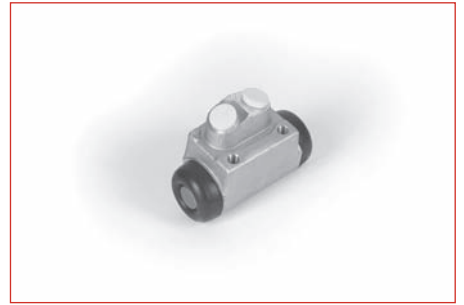
FHW4147



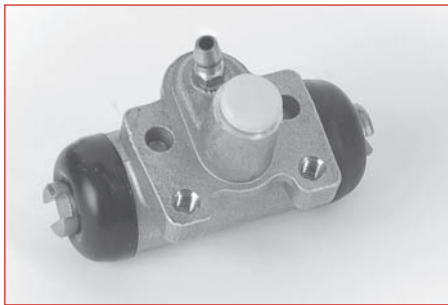
FHW4148



FHW415



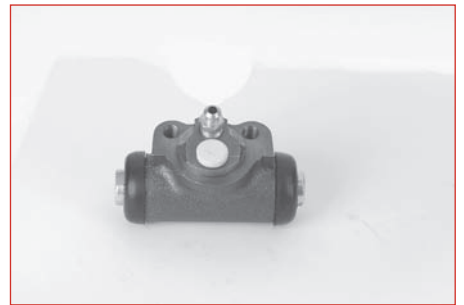
FHW4152



FHW4154



FHW4160



FHW4164



FHW4165



FHW4167



FHW4173



FHW4174



FHW4177



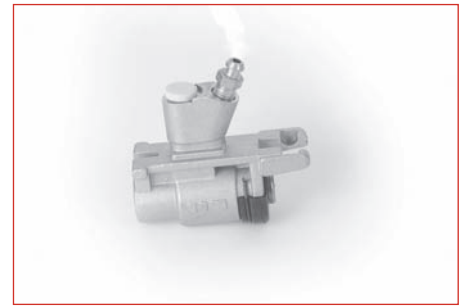
FHW4189



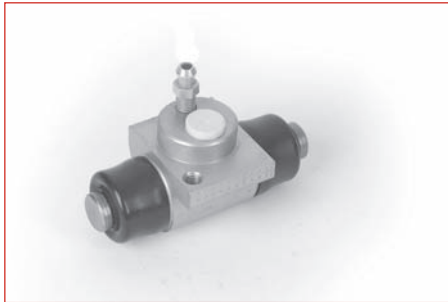
FHW4191



FHW4196



FHW4201



FHW421



FHW4211



FHW4219



FHW4220



FHW4228



FHW4243



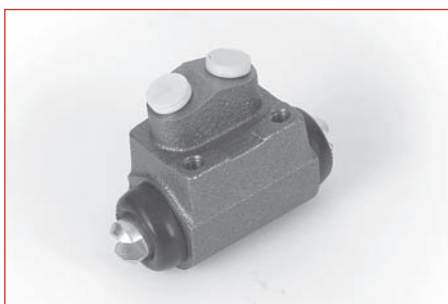
FHW4246



FHW4248



FHW4254



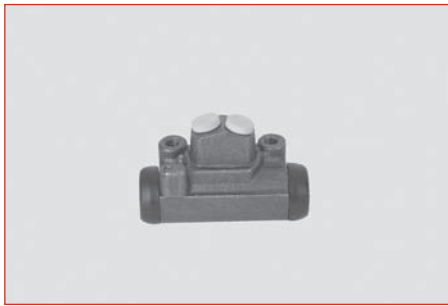
FHW4272



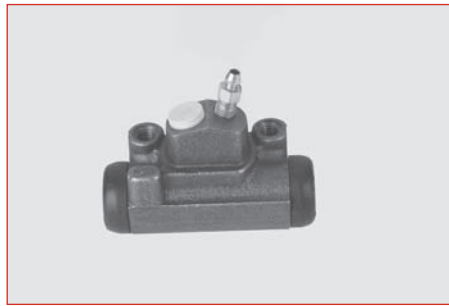
FHW4285



FHW429



FHW4290



FHW4291



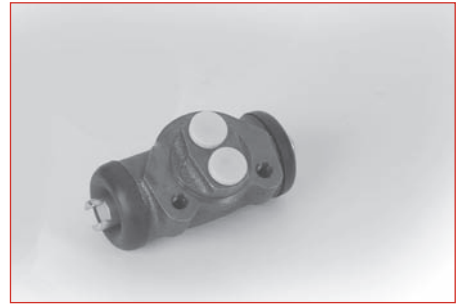
FHW4292



FHW4316



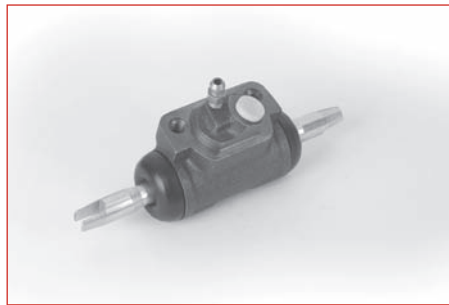
FHW4317



FHW4318



FHW4319



FHW4320



FHW4321



FHW4322



FHW4324



FHW4345



FHW4346



FHW4347



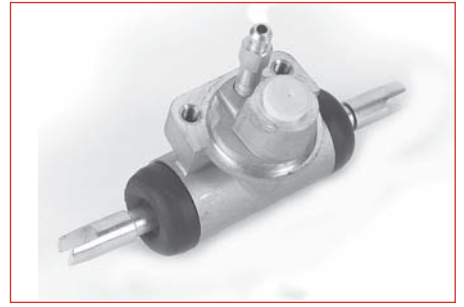
FHW4351



FHW4352



FHW4363



FHW4370



FHW4527



FHW4528



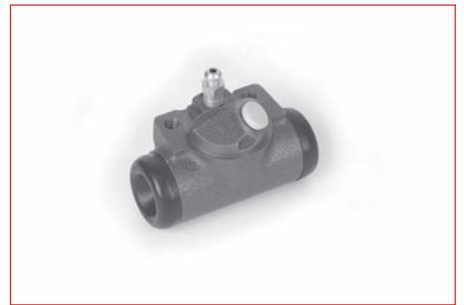
FHW4534



FHW4535



FHW4536



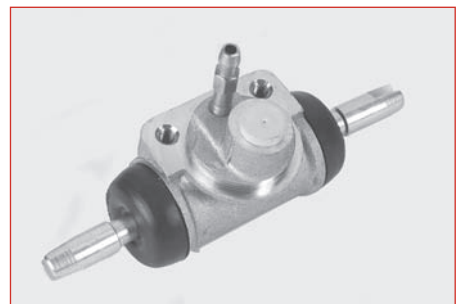
FHW4537



FHW4538



FHW4539



FHW4540



FHW4541



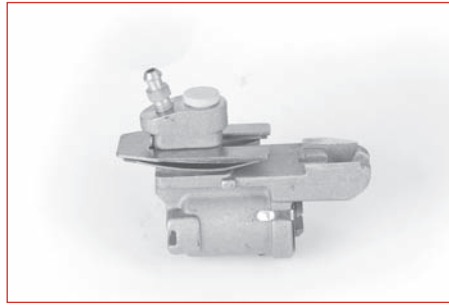
FHW4542



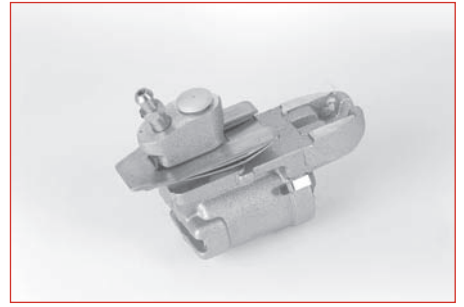
FHW4543



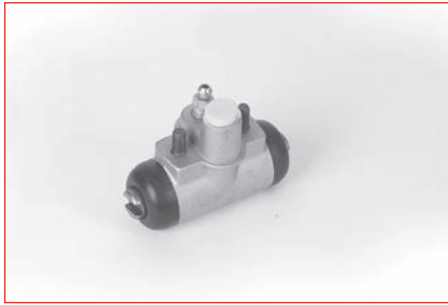
FHW4544



FHW4545



FHW4546



FHW4547



FHW4548



FHW4549



FHW4550



FHW4551



FHW4552



FHW4553



FHW4554



FHW4555



FHW4556



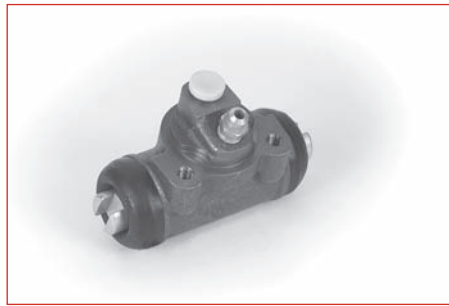
FHW4557



FHW4558



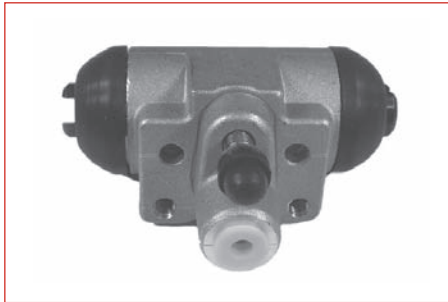
FHW4559



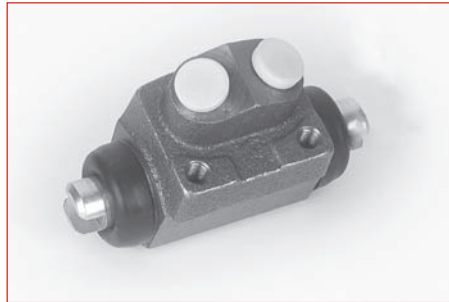
FHW4560



FHW4561



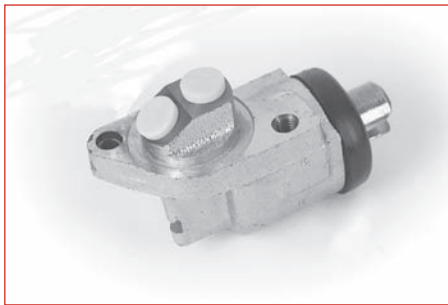
FHW4562



FHW4564



FHW4565



FHW4566



FHW4567



FHW4568



FHW4569



FHW4570



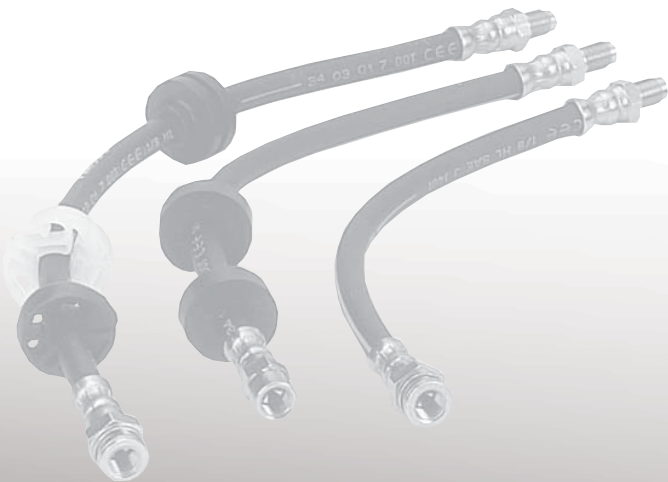
FHW4571

ORIGINAL QUALITY
OE



FERODO[™]

YOU'RE IN CONTROL



 **FEDERAL
MOGUL**



 www.fmecat.eu