

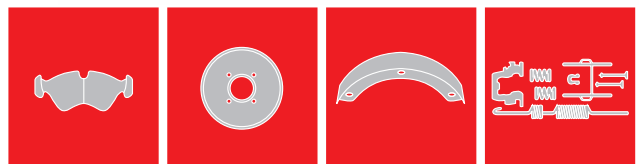
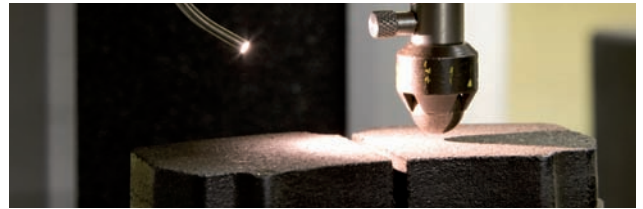


YOU'RE IN CONTROL

CATALOGUE



BRAKE PADS, DISCS,
SHOES AND ACCESSORIES



www.fmecat.eu

FERODOTM

YOU'RE IN CONTROL



100 km/h to 0 in seconds

All Ferodo products are made to the same exacting standards, delivering consistent stopping power and unbeatable durability.

 **FEDERAL
MOGUL**

Driving the future through leading technology



IMPORTANT
INFORMATION



ABOUT THIS CATALOGUE

The information contained in this catalogue has been designed to make disc pad selection easier. Other manufacturers'/distributor part numbers listed are for reference only.

Every effort has been made to ensure that all the information supplied in this catalogue is correct and as complete as possible at the time of going to press.

The publisher cannot take responsibility for any errors, omissions or exemptions however caused. In case of any doubt about the contents of this catalogue, please contact your regional sales office.

FIT FOR PURPOSE

All FERODO products are fit for the purpose for which they have been supplied. In the case of the products listed in this catalogue (E & OE), should only be used in the vehicles described, under the operating conditions appropriate to those vehicles.

Please note that advice and written approval should always be sought if the intended use of any of these products are on vehicles that have had their performance capabilities modified in any way, such as for competition purposes. The products must always be used for the purpose that they have been designed for. Federal-Mogul Aftermarket SA (Pty) Ltd cannot be held liable for any product failure due to products not being used as specified and in the correct applications.

COPYRIGHT

The information published in this catalogue may not be reproduced without written authorisation from Federal-Mogul Aftermarket Africa (Pty) Ltd.

The information contained in this catalogue supercedes all information in prior catalogues.

Part numbers are listed for reference only. Please note that some part numbers listed may not be available or be in the process of development. Please contact the Federal-Mogul Aftermarket SA (Pty) Ltd sales department for information on availability.



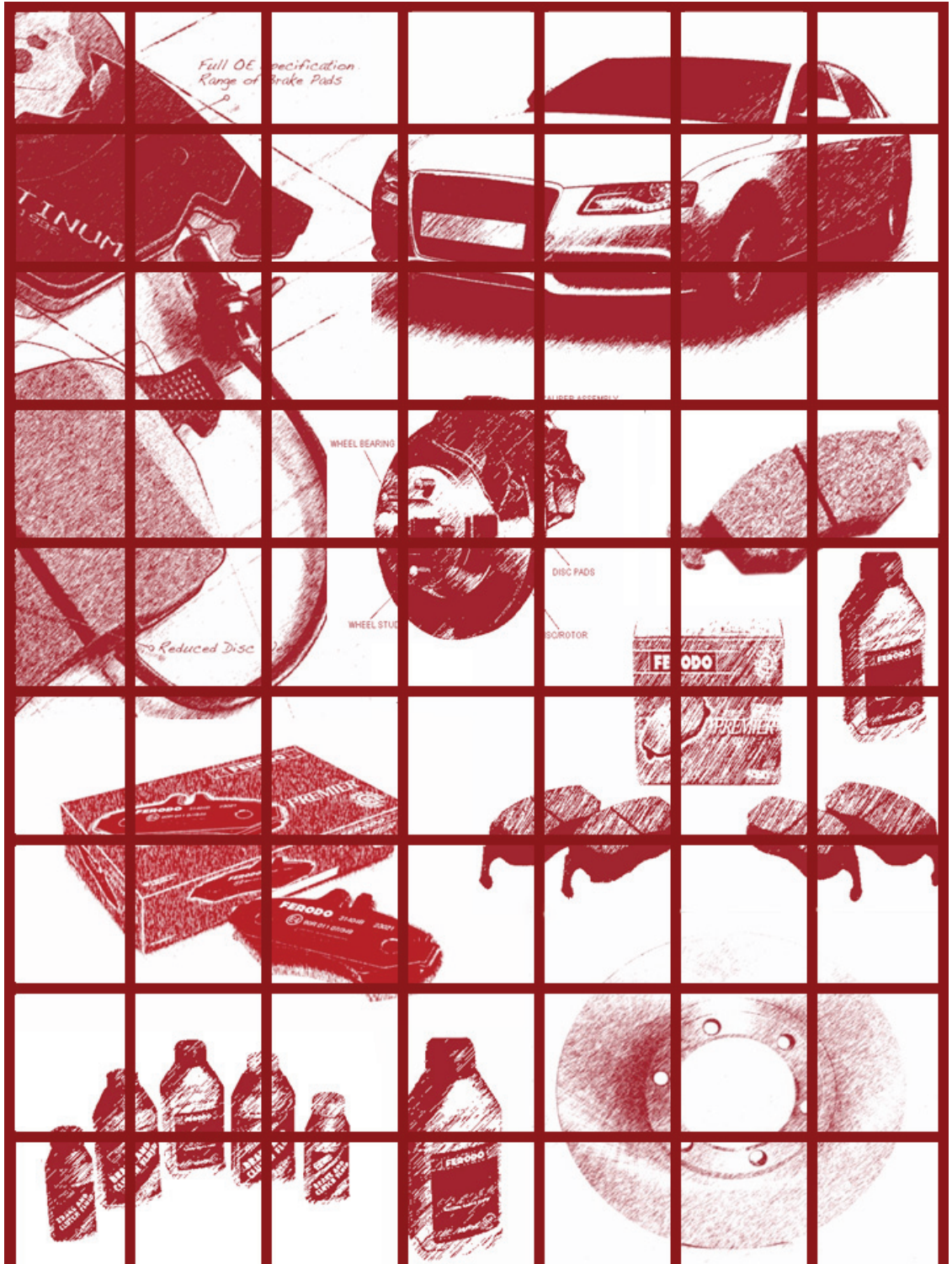


FERODO
YOU'RE IN CONTROL

In Control

SAFE AND SECURE BRAKING EVERY TIME YOU NEED IT

Driven by performance and innovation since 1897, Ferodo designs and develops braking products that give drivers more control over their vehicles and workshops a firm grip on their business. We were the original inventors of modern friction material way back when cars were just starting out. From that day onwards, we have lived and breathed braking.





In Control

SAFE AND SECURE BRAKING EVERY TIME YOU NEED IT

ULTIMATE CONTROL: **PREMIER**

With brake pads available to cover almost every vehicle application in South Africa, Ferodo Premier offers excellent OE-quality braking.

Included in the range are pads for light commercial vehicles that have higher braking demands than the average car, travelling further and having to endure more stop-start driving. They also have to deal with varying loads and are often less easy to control during emergency braking. Ferodo Premier disc brakes have been specifically designed to meet these needs.

BRAKE DISCS: BALANCED BRAKE PERFORMANCE

To achieve optimal friction, your brake pads need to be paired with the right brake disc. Ferodo discs exactly match OE specifications and have a specially designed surface finish that aids the bedding-in process. They undergo stringent metallurgical tests to guarantee that they perform to the strictest requirements, even under extreme conditions.

BRAKE FLUID: THE BEATING HEART OF YOUR BRAKE SYSTEM

Whenever changing brakepads or discs, all elements of the brake system should be thoroughly inspected for leaks, blockages and brake fluid quality. Ferodo offers a range of brake fluids for standard road vehicles - DOT 4 and DOT 5.1 and special racing brake fluid for racing professionals and track day enthusiasts.

RACING- DS PERFORMANCE: TOP PERFORMANCE ON THE TRACK... AND ON THE ROAD

The Ferodo range has been at the forefront of motorsports for more than 80 years. No other component manufacturer can claim such a comprehensive record of achievement in the racing world. Since 1998, a specialised racing cell aided by a prototype and pilot production plant has been developing and marketing racing and other high performance pads for cars, karts and motorcycles.





IMPORTANT INFORMATION



TERMS OF BUSINESS

Orders are accepted subject to the Standard Conditions of Sales which are available from Federal-Mogul Aftermarket SA (Pty) Ltd. Part numbers, vehicle model and engine details change from time-to-time and although the information contained in the catalogue is, to the best of our knowledge accurate at the time of compilation and publication, Federal-Mogul Aftermarket SA (Pty) Ltd cannot accept responsibility for any inaccuracies and subsequent changes to the information provided.

FEDERAL-MOGUL DRIVING EXCELLENCE

Ferodo is one of the world-renowned brands in the Federal Mogul stable. Federal Mogul Corporation is a global manufacturer working in partnership with both the Original Equipment manufacturers and the Aftermarket. With an unrelenting focus on innovation and technology, Federal-Mogul offers solutions for braking, engine, sealing and routine service repairs under brands such as AE[®], Glyco[®], Goetze[®], Nural[®], Payen[®] and Champion[®].

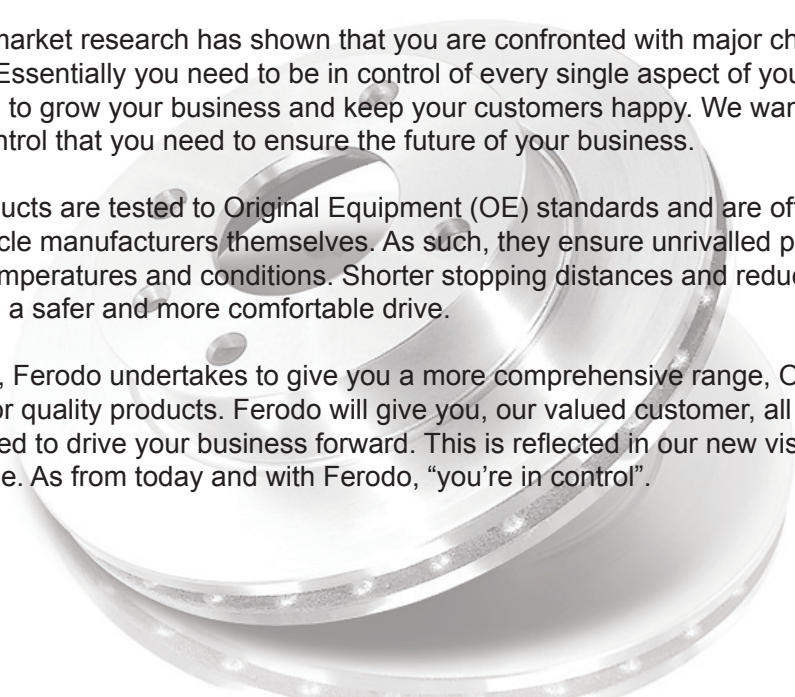
WITH FERODO, YOU'RE IN CONTROL OF YOUR CAR, YOUR BUSINESS, YOUR FUTURE

As the inventor of modern friction materials, Ferodo is always looking towards the future. Our expertise in brake friction led us to develop other brake-related products such as brake discs and fluid, always ensuring the best possible quality and performance level. Ferodo is in fact synonymous with braking.

Extensive market research has shown that you are confronted with major challenges every day. Essentially you need to be in control of every single aspect of your business, all the time, to grow your business and keep your customers happy. We want to help you give the control that you need to ensure the future of your business.

All our products are tested to Original Equipment (OE) standards and are often developed for the vehicle manufacturers themselves. As such, they ensure unrivalled performance under all temperatures and conditions. Shorter stopping distances and reduced brake noise make a safer and more comfortable drive.

That is why, Ferodo undertakes to give you a more comprehensive range, OE pedigree and superior quality products. Ferodo will give you, our valued customer, all the support that you need to drive your business forward. This is reflected in our new visual identity and baseline. As from today and with Ferodo, "you're in control".



TROUBLE TRACER

FAULT

LIKELY CAUSE

ABNORMAL WEAR OF PADS
UNEVEN BRAKING
BRAKE SQUEAL
BRAKE RATTLE
SPONGY PEDAL
PEDAL CAN BE FLOORED
BRAKE JUDDER

DISC THICKNESS VARIATION (>0.01)

WRONG FRICTION MATERIAL

THE CALIPER IS OUT OF LINE / LOOSE

PAD TIGHT IN CALIPER - POSSIBLY RUSTY

SCORED DISC OR EXCESSIVE DISC RUN - OUT MAX 0.1 - 0.2MM

WRONGLY FITTED SHIM

DISSIMILAR TYRES OR TYRE PRESSURE, UNEQUAL WEAR OF TYRES

WEAR IN STEERING OR SHOCK ABSORBERS

DUST OR RUST ON BRAKE PADS

SEIZED PISTON

LOOSE DISC BRAKE

WRONG BEARING TOLERANCE - WHEEL PLAY

GLAZED SURFACE BECAUSE OF FREQUENCY LIGHT BRAKING
CAN BE IMPROVED BY 6-7 HEAVY BRAKE ACTIVITIES

WORN PADS - MINIMUM LINING THICKNESS 2.5MM

RIDGED PADS - RUSTY EDGE ON DISC

AIR IN SYSTEM

SYSTEM LEAKS

REAR WHEEL BRAKES REQUIRE ADJUSTMENT

BRAKE FLUID LEVEL TOO LOW

PRIMARY PISTON IN MASTER CYLINDER DEFECTIVE

HOW TO READ THE CATALOGUE

The key to making this a successful catalogue is ensuring that it is not only comprehensive but easy to use.

Follow the instructions below to ensure you find the brake application you need.

COLUMN 1 - Refers to the year

COLUMNS 2 & 4 - DS refers to DS Performance. A tick in this column indicates that the pad is available in DS Performance. The part number will start with the prefix FDS followed by the same numerical code as the FDB number. (Please refer to the DS Performance catalogue)

COLUMN 3 - Front wheel fitment

COLUMN 5 - Rear wheel fitment

In both columns 3 & 5 the part number begins with the prefix FDB which denotes that the pad is available in CERAMIC, PLATINUM or PREMIER or a combination of the 3. FDS is only available as a DS Performance pad.



1 **2** **3** **4** **5**

YEAR **DS** **FRONT** **DS** **REAR**

ALFA ROMEO

	1	2	3	4	5
	YEAR	DS	FRONT	DS	REAR
2.0 SUPER	1982-85		FDB 2		FDB 93
ALFA 33					
ALL MODELS	1983-85		FDB 349		534
ALL MODELS - ALTERNATE	1983-85		FDB 359		534
1.7i BOXER & SPORTWAGON	1993-		FDB 647		547
1.7i BOXER & SPORTWAGON - ALTERNATE	1993-		FDB 727		FDB 596
ALFA 145					
2.0 QUADRIFOGLIO	1994-02/95	✓	FDB 370		FDB 409
2.0 QUADRIFOGLIO	03/95-12/96	✓	FDB 1052		FDB 1113
2.0 QUADRIFOGLIO	01/97-01		FDB 1137		FDB 1113
ALFA 146					
2.0 ti TWIN SPARK SEDAN	1994-02/95	✓	FDB 370		FDB 409
2.0 ti TWIN SPARK SEDAN	03/95-12/96	✓	FDB 1052		FDB 1113
2.0 ti TWIN SPARK SEDAN	01/97-99		FDB 1137		FDB 1113
ALFA 147					
1.6 TS 16V	2001-	✓	FDB 1052		FDB 1349
1.6 PROGRESSION	07/02-	✓	FDB 1052		FDB 1349
1.9 JTD	10/04-	✓	FDB 1052		FDB 1349
2.0 SELESPEED	2001-	✓	FDB 1052		FDB 1349
2.0 DISTINCTIVE	07/02-	✓	FDB 1052		FDB 1349
3.2 GTA	2004-		FDB 1663		FDB 1349
ALFA 155					
2.0 TWIN SPARK	93-04/96	✓	FDB 370		FDB 1113
2.0 TWIN SPARK	05/96-99	✓	FDB 1052		FDB 1113
2.0 TWIN SPARK - ALTERNATE	05/96-99		FDB 768		FDB 1113
2.5 V6 EXEC	93-04/96		FDB 768		FDB 1113
2.5 V6 EXEC	05/96-99	✓	FDB 1052		FDB 1113



**We know your schedule is hectic
but trust us - you really don't want
to be in two places at once.**

Insist on quality you can trust

FERODO[™]

YOU'RE IN CONTROL



**FEDERAL
MOGUL**



TROUBLE TRACER



PAD CONTAMINATION

APPEARANCE Friction material is contaminated with either oil, grease or brake fluid

CAUSE Spillage during maintenance, or fluid that has leaked from the caliper

EFFECT • The vehicle pulls to one side during braking
• Reduction in braking performance

REMEDY • Identify and repair cause of contamination
• Replace the brake pad set



GLAZING

APPEARANCE The brake pad friction material is glazed

CAUSE • High intermittent pad temperature over short time periods
• Overly harsh braking during the bedding-in period

EFFECT Temporary reductions in brake performance

REMEDY • If light glazing is evident, no action is required
• If heavy glazing is evident, replace brake pad set
• Check the disc condition



RUSTY PADS

APPEARANCE Rust between the friction material and back plate

CAUSE A brake pad sticking in the caliper bracket when braking flexes the back plate, cracking the friction material. Corrosion worsens this, separating the friction material and back plate

EFFECT • Noise and soft pedal feel
• Once material has separated, brakes will not work

REMEDY • Replace brake pad set
• Clean and maintain caliper to ensure the pad fits freely into the caliper during installation



TAPERED PADS

APPEARANCE Uneven wear or tapered pads

CAUSE • The caliper is distorted and the caliper slides are sticking
• Excessive caliper clearance

EFFECT • Premature pad wear and noise while braking
• Uneven braking pressure

REMEDY Replace pad set and maintain & service caliper
Note: Some vehicles use pads that are tapered by design. Refer to vehicle application to determine if they are outside normal degree of taper



CRACKED PADS

APPEARANCE Small cracks in the centre of the pad

CAUSE The cracks indicate that the caliper is sticking. The piston bends the back plate causing the back plate to flex, cracking the friction material

EFFECT • Noise while braking
• Uneven pad wear
• Vehicle pulling to one side during braking
• Overheating on 1 side of the vehicle

REMEDY • Maintain and service the caliper
• Replace the brake pad set



EDGE CRUMBLING

APPEARANCE Uneven wear pattern on the pad

CAUSE Brake pad is sticking within the caliper causing the brake pad to stay in contact with the disc with associated excessive pad temperature

EFFECT Pad surface may glaze reducing brake performance

REMEDY • Investigate cause of caliper sticking
• Maintain the caliper
• Replace the brake pad set

FERODOTM

YOU'RE IN CONTROL

— BRAKE PADS



IRREGULAR WEAR
Irregularly worn brake disc or "wear lip" on disc will cause this pattern of wear on the brake pad
Squeal and Judder
Premature pad wear
Replace brake discs and pads



BACK PLATE DAMAGE
APPEARANCE Damaged back plate
CAUSE Incorrect assembly, or excessive force used during fitting
EFFECT
• Braking efficiency
• Irregular pad wear
• Noise & judder
REMEDY Replace the brake pad set



UNEVEN WEAR WITHIN A SET
APPEARANCE One or more brake pads within an axle set is excessively worn
CAUSE The caliper guide pins or piston is sticking
EFFECT
• The brake pulls to one side
• Uneven & overly rapid pad wear
REMEDY
• Maintain all caliper slides and pistons
• Replace pads and check replace discs if necessary



DAMAGED PADS
These "handed" pads are not identical to each other within the set, and need to be fitted to either the inner or outer side of the caliper. When fitted incorrectly, the pads will be damaged
Damaged pads
Reduced brake performance
Replace pad set to manufacturers instructions as the inserted diagram



UNEVEN WEAR — DISC SCORING
APPEARANCE Uneven wear pattern on the pad
CAUSE
• Incomplete contact between brake pad and disc
• Disc scoring due to dust or excessive wear
• New pads fitted to a worn disc may also cause this
EFFECT
• Squeal and judder
• Braking efficiency
REMEDY Replace both brake pads and brake discs



DE-NATURING
APPEARANCE Partially charred or burnt friction material (will show whitish outer edges)
CAUSE Prolonged excessive pad temperature due to intensive use or dragging of the brake pad on the disc
EFFECT
• Reduction in initial brake efficiency
• Excessive material deterioration and abnormal wear
• Material becomes brittle, chips and cracks
REMEDY
• Investigate cause for overheating of brake pad
• If damage is not excessive, pads will be effective under normal use
• If the damage is extensive replace brake pad set



METAL PICK UP
If the friction material is completely worn out there has been no regular check of pad wear or regular brake maintenance
The vehicle pulls to one side during braking
Damage to the disc
High squeal and other brake noise
Check the disc for damage
Replace pad set and the disc if it has suffered damage



METAL PICK UP
APPEARANCE Metal pick-up (or ingrained metal) on the friction surface
CAUSE During normal braking small particles of the disc surface break off. Typically these are burnt off by the intense heat as dust. During extremely wet conditions these are quenched, cooled fast to solid material, and adhere to the brake pad surface
EFFECT This generally has no detrimental effect on braking performance, however in extreme cases, it can cause disc damage or brake squeal
REMEDY In extreme cases, replace discs and pads

It is recommended that when replacing brake pads it is necessary to always check the thickness and the aspect of the brake discs too.

CONTENTS

APPLICATION GUIDE

PAGE

ALFA ROMEO	1
ASIA MOTORS	2
AUDI	3
AUSTIN	6
BMW	6
CADILLAC	10
CAM (China Auto Manufacturer)	10
CHANA	10
CHERRY	11
CHEVROLET	11
CHEVROLET COMMERCIAL	12
CHRYSLER	13
CHRYSLER COMMERCIAL	15
CITROËN	15
CITROËN COMMERCIAL	16
COLT (see Mitsubishi from 1984-)	16
DACIA	17
DACIA COMMERCIAL	17
DAEWOO	17
DAIHATSU	18
DAIHATSU COMMERCIAL	18
DAIMLER	18
DKW	19
DODGE	19
DODGE COMMERCIAL	19
FERRARI	19
FIAT	20
FIAT COMMERCIAL	22
FORD	23
FORD COMMERCIAL	26
FOTON	27
GAZ	27
GEELY INTERNATIONAL CORPORATION	27
GONOW AUTO	27
GWM (Great Wall Motors)	28

CONTENTS

APPLICATION GUIDE

PAGE

HILLMAN	28
MINX	28
HOLDEN	28
HONDA	28
HUMBER	29
HYUNDAI	29
HYUNDAI COMMERCIAL	31
ISUZU	31
ISUZU COMMERCIAL	31
IVECO LIGHT COMMERCIAL	32
JAGUAR	32
KIA	34
KIA COMMERCIAL	35
LADA	35
LAMBORGHINI	35
LANCIA	35
LAND ROVER	36
LOTUS	37
MAHINDRA	37
MASERATI	38
MAZDA	38
MAZDA COMMERCIAL	39
MEIYA	40
MERCEDES BENZ	40
MERCEDES BENZ COMMERCIAL	46
MG	46
MITSUBISHI	47
MITSUBISHI COMMERCIAL	48
NISSAN (DATSUN)	48
NISSAN COMMERCIAL	51
OPEL	52
OPEL COMMERCIAL	55
PEUGEOT	56
PEUGEOT COMMERCIAL	58
PORSCHE	58

CONTENTS

APPLICATION GUIDE

PAGE

PROTON	60
PROTON COMMERCIAL	60
RAMBLER	60
RANGER	61
RENAULT	61
RENAULT COMMERCIAL	63
ROLLS ROYCE	64
ROVER	64
SAAB	64
SEAT	65
SSANGYONG	65
SUBARU	66
SUZUKI	67
TATA	67
TATA COMMERCIAL	67
TOYOTA	68
TOYOTA COMMERCIAL	71
TRIUMPH	73
VAUXHALL	73
VOLKSWAGEN	74
VOLKSWAGEN COMMERCIAL	77
VOLVO	78
SPECIFICATIONS - PADS	81
BUYERS GUIDE FRONT DISC PADS	105
BUYERS GUIDE FRONT BRAKE DISCS	153
BUYERS GUIDE REAR DISC PADS & SHOES	167
BUYERS GUIDE REAR DISC	209
FERODO DISC BRAKE PADS CROSS REFERENCE	
FERODO	217
ALTERNATIVE NO.	229
ATE	243
FERODO DISC BRAKE PADS CROSS REFERENCE	249
FERODO DISC DIMENSION BY DIAMETER	263
FERODO DISC DIMENSION BY PART NO.	266
DISC BRAKE PAD ILLUSTRATIONS	269 — 764

APPLICATION GUIDE

YEAR

DS

FRONT
PAD

FRONT
DISC

ALT
NO.

DS

REAR
PAD/SHOE

REAR
DISC

ALT
NO.

ALFA ROMEO

2.0 SUPER

2.0 SUPER	1982 - 85		FDB2				FDB93
-----------	-----------	--	------	--	--	--	-------

ALFA 33

ALL MODELS	1983 - 85		FDB349				534
ALL MODELS - (ALTERNATE)	1983 - 85		FDB359				534
1.7I BOXER & SPORTWAGON	1993 - on		FDB647				547
1.7I BOXER & SPORTWAGON (ALTERNATE)	1993 - on		FDB727				FDB596

ALFA 145

2.0 QUADRIFOGLIO	1994 - 02/95	✓	FDB370				FDB409
2.0 QUADRIFOGLIO	03/95 - 12/96	✓	FDB1052				FDB1113
2.0 QUADRIFOGLIO	01/97 - 01		FDB1137	DDF54-1			FDB1113 DDF140-1

ALFA 146

2.0 TI TWIN SPARK SEDAN	1994 - 02/95	✓	FDB370				FDB409
2.0 TI TWIN SPARK SEDAN	03/95 - 12/96	✓	FDB1052				FDB1113
2.0 TI TWIN SPARK SEDAN	01/97-99		FDB1137				FDB1113

ALFA 147

1.6 TS 16V	2001 - on	✓	FDB1052	DDF156-1	707		FDB1349
1.6 PROGRESSION	07/02 - on	✓	FDB1052	DDF156-1	707		FDB1349 DDF067-1
1.9 JTD	10/04 - on	✓	FDB1052	DDF156-1	707		FDB1349 DDF067-1
2.0 SELESPEED	2001 - on	✓	FDB1052	DDF156-1	707		FDB1349 DDF067-1
2.0 DISTINCTIVE	07/02 - on	✓	FDB1052	DDF156-1	707		FDB1349 DDF067-1
3.2 GTA	2004 - on		FDB1663				FDB1349

ALFA 155

2.0 TWIN SPARK	93 - 04/96	✓	FDB370				FDB1113
2.0 TWIN SPARK	05/96 - 99	✓	FDB1052				FDB1113
2.0 TWIN SPARK (ALTERNATE)	05/96 - 99		FDB768				FDB1113
2.5 V6 EXEC	93 - 04/96		FDB768				FDB1113
2.5 V6 EXEC	05/96 - 99	✓	FDB1052				FDB1113

ALFA 156

1.9 JTD	11/04 - on	✓	FDB1052	DDF156-1	707	✓	FDB995 DDF067-1
2.0 TWIN SPARK, 2.5 V6 (SEDANS)	1997 - on	✓	FDB1052	DDF156-1	707	✓	FDB995 DDF067-1
2.4 JTD	05/03 - on	✓	FDB1052	DDF156-1	707	✓	FDB995 DDF067-1
2.5 V6 SPORTWAGON	2000 - on	✓	FDB1052	DDF156-1	707		FDB1349 DDF067-1
3.2 V6 GTA	03/03 - on		FDB1508				FDB1349
3.2 V6 GTA (ALTERNATE)	09/03 - on		FDB1663				FDB1349

ALFA 159

1.9 JTS	2006 - on		FDB1805				FDB1796
2.2 JTS	2006 - on		FDB1805				FDB1796
2.4 JTD	2007 - on		FDB1794				FDB1795
3.2 JTS V6 Q4	2006 - on		FDB1794				FDB1795

ALFA 164

2.0 TWIN SPARK	1993 - on		FDB651				FDB596
3.0 V6 SUPER & Q4	1993 - 99		FDB542				FDB222

ALFA 166

3.0 V6	1999 - on	✓	FDB1334			✓	FDB995
--------	-----------	---	---------	--	--	---	--------

APPLICATION GUIDE

YEAR

DS

FRONT
PAD

FRONT
DISC

ALT
NO.

DS

REAR
PAD/SHOE

REAR
DISC

ALT
NO.

ALFA 6

ALFA 6 2.5 V6	1981 - 85	FDB161	FDB164
---------------	-----------	--------	--------

ALFASUD

ALL MODELS	1974 - 82	FDB91	FDB92
------------	-----------	-------	-------

ALFETTA

ALL MODELS	1972 - 85	FDB2	FDB93
BRAVE		FDB1468	

BRERA

2.2 JTS	2006 - on	FDB1805	FDB1796
3.2 Q4	2007 - on	FDB1794	FDB1795

EXPORT

EXPORT 1.3, 1.5 & VELOCE	1982 - 85	FDB91	FDB92
--------------------------	-----------	-------	-------

GIULIA - GIULETTA

GIULIA 1.3 & 1.6	1967 - 77	FDB2	FDB3
GIULIA 1750	1969 - 73	FDB11	FDB3
GIULIA 2000	1972 - 77	FDB11	FDB3
GIULIETTA 1750 & 2000	1969 - 74	FDB11	FDB3
GIULIETTA 1.8 & 2.0	1979 - 85	FDB2	FDB93

GT - GTV

GT JUNIOR 1.3 & 1.6	1969 - 77	FDB2	FDB3
GTV BERLINA 1750 & 2000	1969 - 77	FDB11	FDB3
GTV 6 2.5 & 3.0	1982 - 85	FDB116	FDB93
GTV 2.0 TWIN SPARK	1996 - 99	FDB994	FDB1113
GTV 2.0 TWIN SPARK (ALTERNATE)	1996 - 99	FDB1137	FDB1113
GTV 3.2 V6	03/04 - on	FDB1508	FDB1113
GTV 3.0 V6 24V COUPE	1999 - 2004	FDB1508	FDB1113
GT 1.9 JTD	2005 - on	FDB1052	FDB1113

MITO

1.4 T	2008 - on	DDF1742	DDF1741
-------	-----------	---------	---------

SPIDER

SPIDER	1983 - 85	FDB11	FDB93
SPIDER 2.0 TWIN SPARK	1996 - on	FDB994	FDB1113
SPIDER 2.0 TWIN SPARK (ALTERNATIVE)	1996 - on	FDB1137	FDB1113
SPIDER 2.2 JTS	2007 - on	FDB1805	FDB1796
SPIDER 3.0 V6 24V	10/02 - 02/04	FDB1508	FDB1113
SPIDER 3.2 V6	03/04 - on	FDB1508	FDB1113
SPIDER 3.2 V6 Q4	2007 - on	FDB1794	FDB1795

SUPERHATCH 105

SUPERHATCH 105	1983 - 85	FDB91	FDB92
----------------	-----------	-------	-------

ASIA MOTORS

ROCSTA - ALL MODELS

ROCSTA - ALL MODELS	1994 - 98	FDB170	
4X4 1.8 Hard Top(Petrol)	1995-	FDB710	
4X4 1.8 Soft Top(Petrol)	1995-	FDB710	

APPLICATION GUIDE

YEAR

DS

FRONT
PAD

FRONT
DISC

ALT
NO.

DS

REAR
PAD/SHOE

REAR
DISC

ALT
NO.

AUDI

AUDI 80 - 90

80 SERIES	1975 - 82	FDB128				453		
90 SUPER	1968 - 72	FDB2				383		

AUDI 100

100 LS	1970 - 72	FDB35				383		
100 LS, GL, COUPÉS	1973 - 76	FDB83				449		
100LS, GL, GL5, GLS5E	1977 - 82	FDB123	DDF193-1	352		486		

AUDI 200

200 GLX 5E	1978 - 82	FDB123	DDF193-1	352		515		
------------	-----------	--------	----------	-----	--	-----	--	--

AUDI 400

400 SERIES	1987 - 91	FDB343	DDF193-1	352		486		
400 SERIES - ALTERNATE 5-STUD DISC	1987 - 1991					486		

AUDI 500

500 2.2	1983 - 89	FDB343				486		
500E 2.2, 500SE	1983 - 92	FDB343	DDF193-1	352		486		
500 E, SE, SEL	1992 - 95	FDB590				FDB222		
500 AVANT 2.6 V6	1994 - on	FDB590				FDB222		
500 QUATTRO S4 2.2	1992-	FDB855				FDB222		
500 TURBO	1989 - on	FDB563	DDF311-1	389		FDB222		
500 TURBO (Girling System)	1991 - on	FDB563						
500 TURBO - ALTERNATE	1990 - on	FDB577				FDB222		

QUATTRO

QUATTRO	1980 - 85	FDB211				FDB222		
QUATTRO	1985 - 87	FDB413				FDB222		
QUATTRO	1987 - 90	FDB563				FDB222		
QUATTRO COUPE 2.8E	1995 - on	FDB563				FDB222		
QUATTRO S2 20V 2.2	1991 - on	FDB563	DDF320-1	385		FDB222	DDF321-1	386
QUATTRO TURBO S6	1993 - on	FDB590	DDF320-1	385		FDB222	DDF321-1	386
QUATTRO TURBO S6 (ALTERNATE)	1993 - on	FDB855	DDF320-1	385		FDB222	DDF321-1	386

A3

1.8 (NON TURBO) - WITHOUT WEAR SENSOR	1998 - 99	FDB1094	DDF928-1	396	✓	FDB1083	DDF929-1	399	
1.8 (NON TURBO) - WITH WEAR SENSOR	1999-04	✓	FDB1398	DDF928-1	396	✓	FDB1083	DDF929-1	399
1.8 TURBO (ALL MODELS) - WITHOUT WEAR SENSOR	1998-99	FDB969			✓	FDB1083	DDF929-1	399	
1.8 TURBO (ALL MODELS) - WITH WEAR SENSOR	1999-04	✓	FDB1463		✓	FDB1083	DDF929-1	399	

A3 II

1.9 TDI		FDB1398						
2.0 FSI	04/04 - on	✓	FDB1641			FDB1636		
2.0 TDI	11/03 - on	✓	FDB1641			FDB1636		
2.0T FSI	2005 - on	✓	FDB1641			FDB1636		
3.2 V6 QUATTRO	10/04 - on		FDB1765			FDB1636		
SPORTBACK 2.0 FSI	2005 - on	✓	FDB1641			FDB1636		
SPORTBACK 2.0 TDI	2007 - on		FDB1641			FDB1636		
SPORTBACK 2.0T FSI	2007 - on	✓	FDB1641			FDB1636		
SPORTBACK 3.2 QUATTRO	2005 - on		FDB1765			FDB1636		

A4 (INCLUDING AVANT MODELS) - 1995 - 06/2001

1.8 (NON TURBO) - ATE CALIPER- WITHOUT WEAR SENSOR	95 - 07/97	FDB1167	DDF324-1	387		FDB222		
1.8 (NON TURBO) - LUCAS CALIPER - WITHOUT WEAR SENSOR	08/9 -04/99	FDB1289	DDF1328-1	390		FDB222	DDF830-1	388

APPLICATION GUIDE

	YEAR	DS	FRONT PAD	FRONT DISC	ALT NO.	DS	REAR PAD/SHOE	REAR DISC	ALT NO.
1.8 (NON TURBO) - ALTERNATE REAR	08/9 -04/99		FDB1289	DDF1328-1	390	✓	FDB1083	DDF830-1	388
1.8 (NON TURBO) - LUCAS CALIPER - WITH WEAR SENSOR	05/99-05/01		FDB1451	DDF1328-1	390	✓	FDB1083	DDF830-1	388
1.8 (TURBO MODELS) - ATE CALIPER -WITHOUT WEAR SENSOR	07/97		FDB1167	DDF320-1	385		FDB222	DDF830-1	388
1.8 (TURBO MODELS) - ALTERNATE REAR	08/97-04/99		FDB1167	DDF320-1	385	✓	FDB1083	DDF830-1	388
1.8 (TURBO MODELS) - ATE CALIPER -WITH WEAR SENSOR	05/99-01	✓	FDB1323	DDF320-1	385	✓	FDB1083	DDF830-1	388
2.4, 2.6, 2.8 (ALL MODELS) - WITHOUT WEAR SENSOR	07/97		FDB1167	DDF320-1	385		FDB222	DDF830-1	388
2.4, 2.6, 2.8 (ALL MODELS) - ALTERNATE REAR	08/97-04/99		FDB1167	DDF320-1	385	✓	FDB1083	DDF830-1	388
2.4, 2.6, 2.8 (ALL MODELS) - WITH WEAR SENSOR	05/99-01	✓	FDB1323	DDF320-1	385	✓	FDB1083	DDF830-1	388

A4 II (INCLUDING AVANT MODELS) - 06/2001 >

1.8T (ALL MODELS)	06/01-02/05	✓	FDB1323	DDF320-1	385	✓	FDB1083		
1.9TDI	06/01-02/05	✓	FDB1323	DDF320-1	385	✓	FDB1083		
2.0 (ALL MODELS)	06/01-02/05	✓	FDB1323	DDF320-1	385	✓	FDB1083		
2.4 (ALL MODELS)	06/01-02/05	✓	FDB1323			✓	FDB1083		
2.5TDI	06/01-02/05	✓	FDB1323			✓	FDB1083		
3.0 (ALL MODELS)	06/01-02/05	✓	FDB1323			✓	FDB1083		

A4 III (INCLUDING AVANT MODELS)

1.8T (ALL MODELS)	03/05 - on		FDB1717				FDB1788		
2.0 (ALL MODELS)	03/05 - on		FDB1717				FDB1788		
2.0 TDI (103KW)	03/05 - on		FDB1717				FDB1788		
2.0 TDI (125KW)	2006 - on		FDB1629	DDF1611-1			FDB1636		
2.0T FSI	03/05 - on		FDB1629				FDB1636		
3.0 TDI QUATTRO (ALL MODELS)	03/05 - on		FDB1629				FDB1636		
3.2 FSI (ALL MODELS)	03/05 - on		FDB1629				FDB1636		

A5

A5 COUPE 2.0T FSI	2009- on		FDB4045				FDB4050	DDF1667 -1 Vented	
			/ DDF1666 -1 Solid						
A5 COUPE 3.2 FSI	2008- on		FDB4045				FDB4050	DDF1667 -1 Vented	DDF1666 -1 Solid
A5 COUPE 3.0 TDI	2009- on		FDB4045				FDB4050	DDF1667 -1 Vented	DDF1666 -1 Solid
A5 CABRIO 2.0T FSI	2009- on		FDB4045				FDB4050	DDF1667 -1 Vented	DDF1666 -1 Solid
A5 CABRIO 3.2 FSI	2008- on		FDB4045				FDB4050	DDF1667 -1 Vented	DDF1666 -1 Solid
A5 CABRIO 3.0 TDI	2009- on		FDB4045				FDB4050	DDF1667 -1 Vented	DDF1666 -1 Solid

A6 I

2.2T	95 - on		FDB590				FDB222		
2.6 AVANT	95 - 98		FDB590	DDF320-1	385		FDB222	DDF321-1	386
2.6E, 2.8E	95 - 97		FDB590	DDF320-1	385		FDB222	DDF321-1	386

A6 II

2.4	1997 - 2003	✓	FDB1323	DDF320-1	385	✓	FDB1083	DDF321-1	386
2.4 FROM CHASSIS NO. 4BX070001 >	2003 - 2004		FDB1717			✓	FDB1083		
2.4 AVANT	2001 - 2004	✓	FDB1323			✓	FDB1083		
2.5TDI FROM CHASSIS NO. 4BX070001 >	2003 - 2004		FDB1717			✓	FDB1083		
2.7T QUATTRO - WITH LUCAS FRONT CALIPER	00 - 06/02			DDF320-1	385	✓	FDB1083	DDF321-1	386
2.7T QUATTRO - WITH ATE FRONT CALIPER	07/02 - 2004		FDB1407			✓	FDB1083		
2.8 QUATTRO	1997 - 02	✓	FDB1323	DDF320-1	385	✓	FDB1083		
2.8 ALL MODELS FROM CHASSIS NO. 4BX070001 >	2003 - 2004		FDB1717			✓	FDB1083		
3.0 & 3.0 QUATTRO (ALL MODELS)	2001 - 2004		FDB1407			✓	FDB1083	DDF321-1	386
3.0 & 3.0 QUATTRO (ALL MODELS) - WITH LUCAS CALIPER	2001 - 2004		FDB1407	TBA		DS	FDB1083	DDF321-1	
4.2 V8 AVANT	2001 - 2004		FDB1509			✓	FDB1083		

APPLICATION GUIDE

YEAR

DS

FRONT
PAD

FRONT
DISC

ALT
NO.

DS

REAR
PAD/SHOE

REAR
DISC

ALT
NO.

A6 III

2.4	10/04 - on		FDB1717			FDB1636
2.5 TDI (ALL MODELS)	2004 - on		FDB1717			FDB1636
3.0 TDI	10/04 - on		FDB1717			FDB1636
3.2 FSI	10/04 - on		FDB1717			FDB1636
4.2 V8	10/04 - on		FDB1629			FDB1636

A8

3.7 (WITH ATE CALIPER)	04/96 - 10/98		FDB1297		✓	FDB1083
3.7 (WITH LUCAS CALIPER)	04/96 - 10/98		FDB985		✓	FDB1083
4.2 QUATTRO (WITH LUCAS CALIPER)	1995 - 03/96		FDB985		✓	FDB1083
4.2 QUATTRO (WITH LUCAS CALIPER)	04/96 - 10/98		FDB985		✓	FDB1083
4.2 QUATTRO (WITH ATE CALIPER)	04/96 - 10/98		FDB1297		✓	FDB1083
4.2 QUATTRO (WITH BREMBO CALIPER)	11/98 - 02		FDB1509		✓	FDB1083
4.2 QUATTRO (WITH LUCAS CALIPER)	11/98 - 02		FDB1710		✓	FDB1083
4.2 QUATTRO	04/04 - on		FDB1827			FDB1655
4.2 QUATTRO - ALTERNATE	2004 - on		FDB1832			FDB1408

CABRIO

2.6 CABRIOLET	1995 - 00		FDB775			FDB222
2.6 CABRIOLET (WITH WEAR SENSOR)	1995 - 00		FDB954			FDB222
S3						
1.8T QUATTRO	2001 - on	✓	FDB1463		✓	FDB1083

S4

4.2 V8	08/97-09/01		FDB1709			
4.2 V8	10/03 - on		FDB1407			FDB1408

S5

4.2 FSI QUATTRO			FDB4044	DDF1664-1		FDB4050	DDF1667 -1 Vented / DDF1666-1 Solid
4.2 FSI QUATTRO			FDB4044	DDF1664-1		FDB4190	(1KE Caliper)

S6

4.2 V8 AVANT	2001 - on		FDB1509		✓	FDB1083
5.2 V10 QUATTRO	2007 - on		FDB1832			FDB1655

S8

4.2 QUATTRO	2001 - on		FDB1509		✓	FDB1083
5.2 V10 QUATTRO	2007 - on		FDB1832			FDB1655

Q5

2.0 TDI QUATTRO	2009- on					FDB4050
2.0 TDI QUATTRO	2009- on					
3.0 TDI QUATTRO	2009- on					
3.2 TDI QUATTRO	2009- on					FDB4050

Q7

3.0 TDI QUATTRO	2006 - on		FDB1626			FDB1835
3.0 FSI QUATTRO 19" WHEELS	2006 - on					FDB1835
3.6 FSI QUATTRO	2007 - on		FDB1626			FDB1835
4.2 FSI QUATTRO	2007 - on		FDB1626			FDB1835

RS4

4.2 AVANT QUATTRO	2007 - on		FDB1407			
4.2 FSI QUATTRO	2006 - on		FDB1407			

APPLICATION GUIDE

	YEAR	DS	FRONT PAD	FRONT DISC	ALT NO.	DS	REAR PAD/SHOE	REAR DISC	ALT NO.
4.2 V8 QUATTRO	2007 - on		FDB1407				TBA		
TT SERIES									
1.8T (ALL MODELS)	2000 - on	✓	FDB1463			✓	FDB1083		
2.0T FSI (ALL MODELS)	2006 - on								
3.2 V6	07/04 - on		FDB1001			✓	FDB1083		
3.2 V6 QUATTRO	2006 - on								
AUSTIN									
AUSTIN/MORRIS 1100, 11/55									
AUSTIN/MORRIS 1100, 11/55	1965 - 72		FDB826				736		
APACHE									
APACHE 1100 & 11/55	1963 - 70		FDB885				736		
AUSTIN 1800									
AUSTIN 1800	1966 - 73		FD525				761		
HEALEY									
SPRITE - ALL MODELS	1963 - 67		FDB885				DRUM		
3000 & MK 3	1965-68		FDB525				DRUM		
MARINA									
1.3 & 1.8	1973 - 75		FD535				741		
1750 & 2.6 - S.A.	1976 - 77		FD558				761/793		
MINI									
MINI COOPER	1961 - 63		FD9L				709		
MINI COOPER	1963 - 69		FDB342				709		
MINI COOPER "S"	1963 - on	✓	FDB825				709		
MINI GTS - S.A. 10" WHEELS	1970 - on	✓	FDB825				709		
MINI GTS - S.A. 12" WHEELS	1970 - on		FDB885				709		
WESTMINISTER									
ALL MODELS	1964 - 67		FD25L				709		
ALL MODELS	1968 - 79		FDB9				810		
WOLSELEY									
WOLSELEY 1100 & 11/55	1963 - 70		FDB885				736		
WOLSELEY 6-110	1964 - 67		FD25L				810		
WOLSELEY 1300 & MK 2	1968 - 80		FDB826				736		
WOLSELEY 1800 & MK 12	1965 - 69		FD525				761		
WOLSELEY & APACHE 11/55	1971 - 76		FDB826				736		
BMW									
1602 & 2002									
1602 & 2002	1969 - 74		FDB35				414		
1800, 2000 & 2000TI									
1800, 2000 & 2000TI	1964 - 74		FDB2				414		
1804 & 2004									
1804 & 2004	1972 - 75		FDB2				414		

APPLICATION GUIDE

YEAR

DS

FRONT
PAD

FRONT
DISC

ALT
NO.

DS

REAR
PAD/SHOE

REAR
DISC

ALT
NO.

2.5, 2.8, 3.0 & S & L

2.5, 2.8, 3.0 & S & L

1968 - 79

FDB34

FDB3

1 SERIES (E87)

116I	2005 - on		FDB1747			FDB1806		
118I	2005 - on		FDB1747			FDB1806		
118D	2005 - on		FDB1747			FDB1806		
120D	2005 - on		FDB1751			FDB1807		
120I	09/04 - on		FDB1751			FDB1806		
130I	2005 - on		FDB1773			FDB1807	DDF1697-1	

1 SERIES COUPE & CONVERTIBLE (E87)

120 D	2008 - on		FDB1751			FDB1807		
120 i	2008 - on		FDB1751			FDB1806		
125 i	2008 - on		FDB1751			FDB1806		
135 i	2008 - on		FDB4218	DDF1811-1		FDB4217		

3 SERIES

316 & 316I (E30)	1986 - 91		FDB303	DDF062-1	356		519		
316I W/OUT ABS (E36)	1992 - 99	✓	FDB725	DDF248-1	365		552		
316I WITH ABS (E36)	1992 - 99	✓	FDB725	DDF248-1	365	✓	FDB850	DDF249-1	366
318I (E30)	1983 - 91		FDB303	DDF062-1	356		519		
318I (E36)	10/93 - 96	✓	FDB725	DDF248-1	365	✓	FDB850	DDF249-1	366
318IS (E36)	1996 - 99	✓	FDB725	DDF258-1	369	✓	FDB850	DDF249-1	366
318I (E46) - SEDAN & TOURING	1998 - on	✓	FDB1300	DDF258-1	369	✓	FDB1301	DDF249-1	366
318TI COMPACT (E46)	2001 - on	✓	FDB1300	DDF258-1	369	✓	FDB1301	DDF249-1	366
320I (E30)	1983 - 91		FDB303	DDF182-1	342		FDB296		
320I IMPORTED	1983 - 85		FDB192				FDB210		
320I (E36)	1992 - 96	✓	FDB725	DDF258-1	369	✓	FDB850	DDF249-1	366
320I (E46)	1999 - on	✓	FDB1300	DDF258-1	369	✓	FDB1301	DDF249-1	366
320D (E46)	2000 - on	✓	FDB1300	DDF258-1	369	✓	FDB1301	DDF249-1	366
320D (E90)	2006 - on		FDB1773				FDB1807		
320D (E91) TOURING	2006 - on		FDB1773				FDB1807		
320I (E90)	2006 - on		FDB1773				FDB1807		
320I (E91) TOURING	2006 - on		FDB1773				FDB1807		
323I IMPORTED	1983 - 85		FDB192				FDB210		
323I (E30)	1983 - 91		FDB303	DDF182-1	342		FDB296	DDF093-1	343
323I (E36)	1996 - 99	✓	FDB725	DDF258-1	369	✓	FDB850	DDF249-1	366
323CI (E46)	1999 - on	✓	FDB1300	DDF258-1	369	✓	FDB1301		
323I (E46)	1999 - on	✓	FDB1300	DDF258-1	369	✓	FDB1301	DDF093-1	
323I (E90)	2006 - on		FDB1773				FDB1807	DDF093-1	
325I (E30)	1986 - 91		FDB303	DDF182-1	342		FDB296	DDF249-1	366
325I - SHADOW LINE (E30)	1986 - 91		FDB303	DDF182-1	342		FDB296		
325IS (E30)	1987 - 92		FDB415				FDB296		
325IS (E30) - ALTERNATE	1987 - 92	✓	FDB256				FDB296		
325I (E36)	1992 - 95	✓	FDB725	DDF258-1	369	✓	FDB850	DDF249-1	366
325 TDS (E36)	1996 - 99	✓	FDB725	DDF258-1	369	✓	FDB850	DDF249-1	366
325I (E46) - SE	2000 - on	✓	FDB1300			✓	FDB1301	DDF1581-1	
325CI (E46)	2001 - on	✓	FDB1300			✓	FDB1301		
325TI COMPACT (E46)	2001 - on	✓	FDB1300			✓	FDB1301		
325I (E90)	2006 - on		FDB1773				FDB1807		
325I (E91) TOURING	2006 - on		FDB1773				FDB1807		
325I (E92) COUPE	2006 - on		FDB1773				FDB1807		
328I (E46)	1998 - on	✓	FDB1300			✓	FDB1301		
328I (E36)	1996 - 99	✓	FDB725	DDF258-1	369	✓	FDB850	DDF249-1	366
330CI (E46)	2000 - on	✓	FDB1073				FDB1483		
330I (E46)	2000 - on	✓	FDB1073				FDB1483		

FERODO

YOU'RE IN CONTROL

APPLICATION GUIDE

	YEAR	DS	FRONT PAD	FRONT DISC	ALT NO.	DS	REAR PAD/SHOE	REAR DISC	ALT NO.	
330D (E46)	2001 - on	✓	FDB1073				FDB1483			
330D (E90)	2006 - on		FDB1773				FDB1808			
330D (E90)	2006 - on		FDB1773			FDB1808				
333i (E30)	1985 - 87		FDB415				FDB296			
335i (E92) COUP	2006 - on		FDB4191				FDB1808			
335i (E93) CONV	2006 - on		FDB4191	DDF1634-1			FDB1808			
5 SERIES										
518 (E12)	1974 - 1978		FDB34				424			
518 2.0L (E12)	1979 - 1981		FDB163	DDF085-1			424			
518i (E28)	1982 - 1985		FDB163				424			
520 (E12)	1974 - 1979		FDB163				424			
520 (6 CYL) - (E12)	1979 - 1981		FDB163	DDF085-1			424			
520i (E28)	1982 - 1985		FDB163				424			
520i (E28)	1985 - 1989	✓	FDB256				FDB296			
520i (E34)	1989 - 1994	✓	FDB779	DDF211-1	360	✓	FDB578	DDF221-1	368	
520D (60)	2005 - on		FDB1628							
520D (61)	2005 - on		FDB1628							
523i (E39)	1998 - 02	✓	FDB1073				FDB1075			
523i (E60)	2005 - on		FDB1773				FDB1748			
525i (E60)	12/03 - on		FDB1628				FDB1748			
525 (E12)	1974 - 1978		FDB34				FDB3			
525 (E12)	1979 - 1984		FDB163	DDF085-1			FDB162			
525E (E28)	1986 - 1989	✓	FDB256				FDB296			
525i (E34)	1989 - 1996	✓	FDB779	DDF211-1	360		578	DDF221-1	368	
525i (E39)	2000 - on	✓	FDB1073				FDB1075			
525Xi(E61)	2005 - on		FDB1628							
525i (E61)	2005 - on		FDB1628							
525D (E61)	2005 - on		FDB1628							
528 (E12)	1975 - 1978		FDB163				FDB3			
528 (E12)	1979 - 1979		FDB163	DDF085-1			FDB162			
528i (E12)	1979 - 1981		FDB163				FDB162			
528i (E28)	1985 - 1989	✓	FDB256	DDF085-1			FDB296			
528i (E39)	07/96 - 01	✓	FDB1073				FDB1075			
530 (E12)	1976 - 1978		FDB34	DDF085-1			FDB162			
530 (E12)	1979 - 1980		FDB163	DDF085-1			FDB162			
530i (E34)	1993 - 1996	✓	FDB779	DDF211-1	360	✓	FDB578	DDF221-1	368	
530Xi	2005 - on		FDB1628							
530D & 530i (E39)	2000 - on	✓	FDB1073				FDB1075			
530D & 530i (E60)	12/03 - on		FDB1628				FDB1748			
530D(E61)	2005 - on		FDB1628							
530XD	2005 - on		FDB1628							
535i (E28)	1985 - 1989	✓	FDB256				FDB296			
535i (E34)	1989 - 1994	✓	FDB779	DDF211-1	360	✓	FDB578	DDF221-1	368	
540i (E34)	1989 - 1996	✓	FDB779	DDF222-1	363	✓	FDB578			
540i (E39)	07/96 - on		FDB997				FDB1075			
545i (E60)	12/03 - on		FDB1628				FDB1672			
550i (E60)	2005 - on		FDB1628							
6 SERIES										
633 & 635CSI	1978 - 82		FDB163	DDF166-1	364		FDB162			
635 CSI	1983 - 89	✓	FDB256				FDB296			
645 CI	04/04 - on		FDB1628				FDB1672			
650 CI (ALL MODELS)	2005 - on		FDB1628				FDB1672			
7 SERIES										
728 (E23)	1978 - 1980		FDB163	DDF166-1	364		FDB164			

APPLICATION GUIDE

	YEAR	DS	FRONT PAD	FRONT DISC	ALT NO.	DS	REAR PAD/SHOE	REAR DISC	ALT NO.	
728I (E23)	1980 - 1987		FDB163				FDB296			
730 (E23)	1978 - 1980		FDB163	DDF166-1	364		FDB164			
730I (E32)	1987 - 1994	✓	FDB779	DDF211-1	360	✓	FDB578	DDF326-1	362	
730 D	05/03 - on		FDB1628				FDB1673			
733I (E23)	1978 - 1987		FDB163	DDF166-1	364		FDB164			
735I (E23)	1981 - 1987		FDB163				FDB296			
735I (E32)	1987 - 1993	✓	FDB779			✓	FDB578	DDF317-1	361	
735I (E39)	1999 - on		FDB998				FDB1483			
735I (E65)	2002 - on		FDB1628				FDB1673			
740I (E32)	1992 - 1994	✓	FDB779			✓	FDB578			
740I (E38)	1995 - 02		FDB998				FDB1483			
740I (E65)	2005 - on		FDB1628				FDB1672			
745I (E32)	1984 - 1987		FDB163				FDB296			
745I (E65)	2002 - on		FDB1883				FDB1672			
750I (E65)	2005 - on		FDB1883				FDB1672			
750I L (E38)	1995 - on		FDB1001				FDB1483			
750I L (E32)	1988 - 1992	✓	FDB779			✓	FDB578			
750I L (E65)	2005 - on		FDB1628				FDB1672			
760I (E65, E66)	2006 - on		FDB1883				FDB1672			
760I L	03/03 - on		FDB1883				FDB1672			
8 SERIES										
850I V12	1993 - 94		FDB856				FDB857			
G.T. (GRAND TOURISMO)										
7 SERIES	2010-		FDB4285				FDB4286			
7 SERIES	2010-		FDB4287				FDB4286			
M SERIES										
M3 (E36)	1993 - 98	✓	FDB779			✓	FDB578			
M3 (E46)	1998 - on	✓	FDB779				FDB1483			
M5	1986 - 89	✓	FDB256				FDB296			
M5 (E34)	1992 - 94	✓	FDB779			✓	FDB578			
M5 (E39)	1999 - on		FDB997				FDB1483			
M5 (E60)	2006 - on		FDB1883				FDB1672			
M6 (ALL MODELS)	2006 - on		FDB1883				FDB1672			
MINI COOPER (NEW)										
ALL MODELS	03/03 - on	✓	FDB1499				FDB1676			
ALL MODELS	06/01 - 03/03	✓	FDB1499			✓	FDB1500			
COOPER S 1.6 R56	2007 - on		FDB1974				FDB1975			
COOPER S 1.6	2003 - on		FDB342							
X-3 SERIES										
2.0D (E83)	2004 - on	✓	FDB1073				FDB1483			
2.5I ((E83)	2004 - on	✓	FDB1073				FDB1483			
2.5 SI (E83)	2006 - on	✓	FDB1073				FDB1483			
3.0 SI ((E83)	2006 - on	✓	FDB1073				FDB1483			
3.0I (E83)	2004 - on	✓	FDB1073				FDB1483			
3.0D (E83)	2005 - on	✓	FDB1073				FDB1483			
X-5 SERIES										
3.0 & 4.4 4X4	2001 - on		FDB997				FDB1483			
3.0D, 4.4I V8 (FACE LIFT)	02/04 - on		FDB997				FDB1483			
4.6IS	02/02 - on		FDB1618				FDB1483			
4.8IS V8	02/04 - on		FDB1618				FDB1483			

APPLICATION GUIDE

YEAR

DS

FRONT
PAD

FRONT
DISC

ALT
NO.

DS

REAR
PAD/SHOE

REAR
DISC

ALT
NO.

X-5 SERIES (E-70)

X5 XDRIVE 3.0i	2007 - on		FDB4052			FDB4067
X5 XDRIVE 3.0i	2007 - on					
X5 XDRIVE 3.5i	2007 - on		FDB4052			
X5 XDRIVE 3.5i	2007 - on					
X5 XDRIVE 4.8i			FDB4052			

X-6 SERIES

X6 Xdrive 3.5D	2008 - on		FDB4079			
X6 Xdrive 5.0i	2008 - on		FDB4079			

Z SERIES

Z1	1989 - 91		FDB303		✓	FDB850
Z3 2.8 COUPE & ROADSTER	1997 - 00	✓	FDB1300		✓	FDB1301
Z3 3.0 ROADSTER	2000 - on	✓	FDB1300		✓	FDB1301
Z3 3.2 COUPE & ROADSTER	1999 - 00	✓	FDB779		✓	FDB578
Z4 2.0i (E85) ROADSTER	2006 - on	✓	FDB1300		✓	FDB1301
Z4 2.5i (E85) ROADSTER	2003 - on	✓	FDB1300		✓	FDB1301
Z4 2.5 SI (E85) ROADSTER	2006 - on	✓	FDB1300		✓	FDB1301
Z4 3.0i (E85) ROADSTER	2003 - on	✓	FDB1300		✓	FDB1301
Z4 3.0 SI (E85) ROADSTER	2006 - on	✓	FDB1300		✓	FDB1301
Z4 3.0 SI (E86) COUPE	2006 - on	✓	FDB1073		✓	FDB1301
Z4 3.2i (E85) ROADSTER	2006 - on	✓	FDB779			FDB1483
Z4 3.2i (E86) COUPE	2006 - on	✓	FDB779			FDB1483

CADILLAC

BLS						
1.9D	2007 - on					
2.0T	2007 - on					
2.8T	2007 - on					

SRX						
3.6	2007 - on					

CAM (CHINA AUTO MANUFACTURE)

INYATHI						
2.2 MINI-BUS	2006 - on		FDB388			

CHANA

BENNIE						
1.3 ALL MODELS						

STAR/MAXI STAR						
1.0	2007 - on		FDB1421			
1.3	2007 - on		FDB1421			

RAINBOW						
1.0	2007 - on		FDB1421			
1.3	2007 - on		FDB1421			

APPLICATION GUIDE

YEAR

DS

FRONT
PAD

FRONT
DISC

ALT
NO.

DS

REAR
PAD/SHOE

REAR
DISC

ALT
NO.

CHERRY

J5

J5 ALL MODELS 2008-on

QQ

QQ 0.8 ALL MODELS 2008 - on FDB1337

QQ 1.1 ALL MODELS 2009 - on FDB1337

TIGGO

TIGGO 1.6i 2009 - on

TIGGO 2.0

CHEVROLET

2500, 3800 & 4100

2500, 3800 & 4100 1973 - 74 FDB11 454

2500, 3800 & 4100 1974 - 78 FD558 793

ASCONA

ASCONA 1978 - 82 FD558 778

AVEO LS & LT

AVEO LS & LT 10/03 - on FDB1369

BLAZER 4.3 V6

BLAZER 4.3 V6 1992 - 97 MX154

BLAZER 4.3 V6 1998 - on MX726 PD729

CADILLAC SEVILLE STS 4.6 V8

CADILLAC SEVILLE STS 4.6 V8 2000 - on

CAMARO

CAMARO 1969 - 73 FDB144 DRUM

CAMARO 1997- FDB578

CAPRICE CLASSIC

CAPRICE CLASSIC 1976 - 80 PDB6 811

CAPTIVA

2.4 (ALL MODELS) 2007 - on FDB1934 FDB4263

CHEVAIR - ALL MODELS

CHEVAIR - ALL MODELS 1976 - 82 FD558 792

CRUZE

CRUZE 1.6 2009 - on FDB4262 FDB4263

CRUZE 1.8 2009 - on FDB4262 FDB4263

CRUZE 2.0 2009 - on FDB4264 FDB4265

CONSTANTIA & KOMMANDO

CONSTANTIA & KOMMANDO 1969 - 72 FD547 811

DE VILLE

DE VILLE 1972 - 75 PDB6 814

FERODO

YOU'RE IN CONTROL

APPLICATION GUIDE

	YEAR	DS	FRONT PAD	FRONT DISC	ALT NO.	DS	REAR PAD/SHOE	REAR DISC	ALT NO.
FIRENZA 1.2 FIRENZA 1.2	1972 - 75		FDB885				738		
FIRENZA 1.2 & 2.5 FIRENZA 1.2 & 2.5	1971 - 73		FD535				790		
FIRENZA 2.5SL FIRENZA 2.5SL	1973 - 75		FD558				790		
HATCH 1300 HATCH 1300	1975 - 78		FD535				790		
HATCH 1900 HATCH 1900	1975 - 78		FD558				778		
KADETT - ALL MODELS KADETT - ALL MODELS	1980 - 82		FDB128				491		
KOMMANDO & CONSTANTIA KOMMANDO & CONSTANTIA	1973 - 78		PDB6				811		
LUMINA S 3.8 V6 LUMINA S 3.8 V6	2001 - on								
LUMINA SS 5.7 V8 LUMINA SS 5.7 V8	2001 - on								
OPTRA 1.6, 1.6 LS OPTRA 1.6, 1.6 LS	03/04 - on		FDB1369						
OPTRA 1.8 LT OPTRA 1.8 LT	03/04 - on		FDB1369						
REKORD & COMMODORE - ALL MODELS REKORD & COMMODORE - ALL MODELS	1978 - 82		FD558				793		
SENATOR SENATOR	1979 - 82		FD558				FD535		
SENATOR - ALTERNATE SENATOR - ALTERNATE REAR	1979 - 82		FD558				FDB2		
SPARK SPARK 0.8, 1.0	2003 - on		FDB1337				613		
TAHOE TAHOE	1995 - 00		MX369						
TAHOE TAHOE	2001 - on		MX785				MX834		
VIVANT 1.6 & 2.0 VIVANT 1.6 & 2.0	10/03 - on		FDB1369						
CHEVROLET COMMERCIAL									
C10 C10	1974 - 80		FDB144				2073/2488		

APPLICATION GUIDE

	YEAR	DS	FRONT PAD	FRONT DISC	ALT NO.	DS	REAR PAD/SHOE	REAR DISC	ALT NO.
C20									
C20	1974 - 80		FDB144				2073/248B		
C30									
C30	1973 - 75		FDB144				2042/320B		
C30	1976 - 77		D430				2042/320B		
CE 10									
CE 10	1969 - 73		FDB144				DRUM		
CS10 & CS20									
CS10 & CS20	1969 - 73		FDB144				2073/248B		
EL CAMINO									
EL CAMINO	1972 - 78		PDB6				814		
EL TORO									
EL TORO	1973 - 78		PDB6				814		
LUMINA UTE SS 5.7 V8									
LUMINA UTE SS 5.7 V8	2003 - on								
LUMINA UTE SS 6.0									
LUMINA UTE SS 6.0	2006 - on								
NOMAD									
NOMAD	1976 - 80		FD558				778		
CHRYSLER									
300C 3.5									
300C 2.7	2005 - on		FDB1954				FDB1953		
300C 3.0 CRD	2005 - on		FDB1954				FDB1953		
300C 3.5	2005 - on		FDB4078				FDB1953		
300C 5.7	2005 - on						FDB1953		
300C 6.1 HEMI SRT8	2006 - on								
383									
383	1969 - 74		D426				2089/333		
CROSSFIRE									
CROSSFIRE 3.2 V6 (ALL MODELS)	2003 - on	✓	FDB1050				FDB1311		
JEEP									
CJ7	1977 - 79		D433				2038/10		
JEEP CHEROKEE									
ALL MODELS	1984 - 89		FDB920						
ALL MODELS (4X2)	1990 - 93		FDB920						
ALL MODELS (4X4)	1990 - 93		FDB929						
2.4 SPORT	2002 - on		MX856						
2.4 SPORT (WITH REAR DISCS)	2002 - on		MX856				FDB1660		
2.5 CRD (TD) (ALL	08/01 - on		MX856						
2.5 CRD (TD) (ALL	08/01 - on		MX856				FDB1660		
2.5 TD (ALL MODELS)	1994 - 96		FDB929				567		
2.5 TD (ALL MODELS)	1997 - 08/01		FDB1267	DDF1027-1	927				
2.8 CRD LIMITED & SPORT	2005 - on		MX856				FDB1660		

APPLICATION GUIDE

	YEAR	DS	FRONT PAD	FRONT DISC	ALT NO.	DS	REAR PAD/SHOE	REAR DISC	ALT NO.
2.8 TD LIMITED & SPORT	2003 - on		MX856						
2.8 TD LIMITED & SPORT - WITH REAR DISCS	2003 - on		MX856				FDB1660		
3.7L (ALL MODELS)	08/01 - on		MX856						
3.7L (ALL MODELS) - WI	08/01 - on		MX856				FDB1660		
4.0 (ALL MODELS)	1990 - 96		FDB929						
4.0 (ALL MODELS)	1997 - 02		FDB1267	DDF1027-1	927				
JEEP COMMANDER									
3.0 CRD LIMITED & SPORT	2006 - on		PD1181					PD1087	
4.7 V8	2006 - on		PD1181					PD1087	
5.7 V8 LIMITED	2006 - on		PD1181					PD1087	
JEEP COMPASS									
2.0D	2007 - on		MX866					PD1037	
2.4 LIMITED (ALL MODELS)	2007 - on		MX866					PD1037	
JEEP GRAND CHEROKEE									
ALL MODELS	1992 - 96		FDB929						
LAREDO 2.5 TD	1997 - 00		FDB1267	DDF1027-1	927		MX666		
LAREDO 2.7 CRD (TD)	2002 - on		MX790				MX791		
LAREDO 2.7 CRD (TD) - ALTERNATE	12/01 - on		FDB1659				MX791		
LAREDO 3.0 CRD	2005 - on		PD1080				PD1087		
LAREDO 3.1 TD	1999 - on		MX790				MX791		
LAREDO 4.0	05/99 - on		MX790				MX791		
LAREDO 4.0	1997 - 04/99		FDB1267				MX666		
LAREDO 4.0 - ALTERNATE	2002 - on		FDB1659				MX791		
LAREDO 4.7 V8	08/02 - on		MX790				MX791		
LAREDO 4.7 V8 - ALTERNATE	08/02 - on		FDB1659				MX791		
LIMITED 2.7 CRD (TD)	2001 - on		MX790				MX791		
LIMITED 2.7 CRD (TD) - ALTERNATE	2001 - on		FDB1659				MX791		
LIMITED 3.0 CRD	2005 - on		PD1080				PD1087		
OVERLAND 3.0 CRD	2006 - on		PD1181				PD1087		
LIMITED 3.1 TD	1999 - on		MX790				MX791		
LIMITED 4.0	05/99 - on		MX790				MX791		
LIMITED 4.0	1997 - 04/99		FDB1267	DDF1027-1	927		MX666		
LIMITED 4.0 - ALTERNATE	2002 - on		FDB1659				MX791		
LIMITED 4.7 V8	1999 - on		MX790				MX791		
LIMITED 4.7 V8 - ALTERNATE	2002 - on		FDB1659				MX791		
LIMITED 5.7 HEMI	2005 - on		PD1080				PD1087		
OVERLAND 5.7 HEMI	2006 - on		PD1181				PD1087		
6.1 HEMI SRT8	2006 - on		MX1149				PD1087		
JEEP PATRIOT									
ALL MODELS	2007 - on		MX866					PD1037	
JEEP WRANGLER									
ALL MODELS	1987 - 89		FDB920						
ALL MODELS	1990 - 96		FDB929				567		
ALL MODELS	1997 - on		FDB1267	DDF1027-1	927		592		
NEON									
1.8 & 2.0 LE & SE	1996 - 98		FDB1097	DDF1329-1	925		574		
1.8 & 2.0 LE & SE (ALTERNATE)	1996 - 98		FDB1098	DDF1329-1	925		FDB1099		
ALL MODELS	2001 - on		FDB1098	DDF1329-1	925		FDB1099		
PT CRUISER									
2.0 (ALL MODELS)	2000 - on		MX841					MX759	

APPLICATION GUIDE

	YEAR	DS	FRONT PAD	FRONT DISC	ALT NO.	DS	REAR PAD/SHOE	REAR DISC	ALT NO.
2.2 CRD	11/03 - on		MX841				MX759		
2.4 (ALL MODELS)	2004 - on		MX841				MX759		
SE									
SE	1975 - 78		FD547				819B		
SE	1978 - 80		D267				819B		
VALIANT - ALL MODELS									
VALIANT - ALL MODELS	1970 - 79		FD547						
VOYAGER & GRAND VOYAGER									
2.0, 2.5 TD (ALL MODELS)	1997 - 2001		FDB1098	DDF366-1			585		
2.4, 2.5 CRD, 3.3 (ALL MODELS) - 15" WHEELS	05/01 - on		MX856						
2.4, 2.5 CRD, 3.3 (ALL MODELS) - 16" WHEELS	05/01 - on		FDB1474				FDB1475		
2.8 CRD (FACE LIFT)	06/04 - on		FDB1474				FDB1475		
3.3 GRAND LE, SE	1997 - 2001		FDB1098				585		
3.3 LX, SE	1997 - 2001		FDB1098	DDF366-1			585		
SEBRING									
SEBRING CONVERTIBLE 2.7 LTD A	2009 - on								
CHRYSLER COMMERCIAL									
VALIANT RUSTLER									
VALIANT RUSTLER	1972 - 78		FD547				2126T/286		
CITROEN									
BERLINGO									
1.4 MULTISPACE MPV	09/03 - on	✓	FDB1399						
C1									
1.0I (ALL MODELS)	2006 - on		FDB1790						
C2									
1.4 HDI	2004 - on		FDB1542				DRUM		
1.4I VTR	2004 - on		FDB1542				FDB1083		
1.6 VTS	2004 - on		FDB1476				FDB1083		
C3									
1.4	2003 - on		FDB1542						
1.4 HDI	2003 - on		FDB1542						
1.4 PLURIEL CABRIO	2003 - on		FDB1543				FDB1788		
1.6	2003 - on		FDB1543				FDB1788		
1.6 PLURIEL CABRIO	2003 - on		FDB1543				FDB1788		
C4									
1.6 16V	2005 - on	✓	FDB1399				FDB1784		
1.6 HDI	2005 - on	✓	FDB1399				FDB1784		
1.6 VTR COUPE	2005 - on	✓	FDB1399				FDB1784		
2.0 VTS COUPE	2007 - on		FDB1728				FDB1784		
16V VTS COUPE	2004 - on		FDB1728				FDB184		
C5									
2.0	2001 - on		FDB1411				FDB1413		
3.0 V6	2001 - on		FDB1412				FDB1413		

APPLICATION GUIDE

	YEAR	DS	FRONT PAD	FRONT DISC	ALT NO.	DS	REAR PAD/SHOE	REAR DISC	ALT NO.
C6									
2.2 HDi	2006 -on		FDB1726	DDF1652-1			FDB1838		
2.7 HDi	2005 -on		FDB1726	DDF1652-1			FDB1838		
3.0 HDi	2005 -on		FDB1726	DDF1652-1			FDB1838		
DS19, DS20, DS20/5									
DS19, DS20, DS20/5	1967 - 73		FDB24						
DS19, DS20 & DS20-5 HANDBRAKE									
DS19, DS20 & DS20-5 HANDBRAKE	1967 - 73						FDB26		
GS 1000									
GS 1000	1972 - 74		FDB69				FDB81		
GS 1220 CLUB & GS X2									
GS 1220 CLUB & GS X2	1973 - 79		FDB98				FDB99		
ID 19									
ID 19	1959 - 66		FDB10				384		
XSARA									
1.6	2001 - on	✓	FDB1399						
2.0	2001 - on		FDB1476			✓	FDB558		
2.0 HDI	2002 - on		FDB1476			✓	FDB558		
2.0 VTS COUPE	2001 - on	✓	FDB1063			✓	FDB558		
XSARA PICASSO									
1.6, 1.8	2001 - on		FDB1477			✓	FDB558		
1.6, 1.8 - ALTERNATE	>09/01	✓	FDB1399			✓	FDB558		
2.0, 2.0 HDI	2001 - on		FDB1477			✓	FDB558		
2.0, 2.0 HDI - ALTERNATE	>09/01	✓	FDB1399			✓	FDB558		
CITROEN COMMERCIAL									
BERLINGO 1.4, 1.9D PANEL VAN									
BERLINGO 1.4, 1.9D PANEL VAN	2002 - on	✓	FDB1399						
COLT (SEE MITSUBISHI FROM 1984-)									
1600 GL & 2000 GS									
1600 GL & 2000 GS	1976 - 77		FD558				794		
1600 GS									
1600 GS	1971 - 72		FD535				438		
1600 GS	1973 - 78		FDB85				438		
GALANT - IMPORTED CALIPER									
GALANT - IMPORTED CALIPER	1977 - 84		FDB85				794		
GALANT - LOCAL CALIPER									
GALANT - LOCAL CALIPER	1977 - 84		FD558				794		
GALANT 2.6									
GALANT 2.6	1977 - 84		FD558				794		

APPLICATION GUIDE

YEAR

DS

FRONT
PAD

FRONT
DISC

ALT
NO.

DS

REAR
PAD/SHOE

REAR
DISC

ALT
NO.

DACIA

CRISTAL STATION WAGON

CRISTAL STATION WAGON

1996 - on

FDB362

562

DACIA COMMERCIAL

ELAN BAKKIE

ELAN BAKKIE

1996 - on

FDB362

562

MAGIC DOUBLE CAB

MAGIC DOUBLE CAB

1996 - on

FDB362

562

DAEWOO

CIELO

1.5 GL, 1501L

1996 - 98

✓

FDB173

569

1.5 GL, 1501L (ATE ALTERNATE)

1996 - 98

FDB966

569

1.5 GLX, GTX

1996 - 98

FDB1369

569

1.5 GLX, GTX (ATE ALTERNATE)

1996 - 98

FDB965

569

ESPERO

1.8 CD, 2.0 CD

1996 - 98

FDB1369

569

1.8 CD, 2.0 CD (ATE ALTERNATE)

1996 - 98

FDB965

569

LANOS

1.35IS

1998 - 00

FDB1337

593

1.35IS (ATE ALTERNATE)

1998 - 00

FDB966

593

1.6 GTR

1998 - 99

FDB1369

593

1.6 GTR (ATE ALTERNATE)

1998 - 99

FDB965

593

1.6 SX

1997 - 00

FDB1369

593

1.6 SX (ATE ALTERNATE)

1997 - 00

FDB965

593

LANOS II

1.4 (ALL MODELS)

2000 - on

FDB1337

593

1.6 (ALL MODELS)

2000 - on

FDB1369

593

MATIZ

ALL MODELS

1998 - on

FDB1337

613

MATIZ II

ALL MODELS

09/02 - on

FDB1337

613

NUBIRA

1.6 SX

1997 - 00

FDB1369

DDF1097-1 971

593

1.6 SX (ATE ALTERNATE)

1997 - 00

FDB965

DDF1097-1 971

593

2.0 CDX (ALL MODELS)

1997 - 00

FDB1369

DDF1097-1 971

FDB1336

2.0 CDX (ALL MODELS) - (ATE ALTERNATE)

1997 - 00

FDB965

DDF1097-1 971

FDB1336

NUBIRA II

1.6 SX

2000 - on

FDB1369

DDF1097-1 971

593

2.0 (ALL MODELS)

2000 - on

FDB1369

DDF1097-1 971

593

TACUMA

1.6 SX

2001 - on

FDB1369

2.0 (ALL MODELS)

2001 - on

FDB1369

APPLICATION GUIDE

YEAR

DS

FRONT
PAD

FRONT
DISC

ALT
NO.

DS

REAR
PAD/SHOE

REAR
DISC

ALT
NO.

DAIHATSU

CHARADE - LOCAL

CHARADE - LOCAL 1983 - 85 FDB407 525

CHARADE - IMPORTED

CHARADE - IMPORTED 1979 - 85 FDB159 525

CHARADE

CHARADE 06/03 - on FDB1988

COPEN

1.3 2005 - on FDB1532

CUORE

CUORE 1997 - 98 FDB974 594

CUORE 1999 - 01 FDB1501

CUORE 2002 - on FDB1988

FEROZA 4X4

FEROZA 4X4 1997 - 99 FDB938 590

GRAN MOVE

GRAN MOVE 1997 - on FDB1009

MATERIA

1.5 (ALL MODELS) 2007 - on FDB4279

MOVE

MOVE 1997 - 00 FDB1987 594

ROCKY 2.7 4X4

ROCKY 2.7 4X4 1997 - on FDB938 590

SIRION (ALL MODELS)

SIRION (ALL MODELS) 1998 - 2005 FDB1501

SIRION 1.3 (ALL MODELS) 2005 - on FDB1532

TERIOS 1.3 4X4

TERIOS 1.3 4X4 1998 - on FDB759

TERIOS 1.5 4X4

1.5 4X4 2006 - on FDB759

YRV (ALL MODELS)

YRV (ALL MODELS) 2001 - on FDB1501

DAIHATSU COMMERCIAL

MOVE PANEL VAN

MOVE PANEL VAN 1997 - on FDB974 594

DAIMLER

DOUBLE SIX

DOUBLE SIX 1982 - 85 ✓ FDB817 ✓ FDB815

APPLICATION GUIDE

YEAR

DS

FRONT
PAD

FRONT
DISC

ALT
NO.

DS

REAR
PAD/SHOE

REAR
DISC

ALT
NO.

DOUBLE SIX - HANDBRAKE

DOUBLE SIX - HANDBRAKE	1982 - 85	-	FDB822
------------------------	-----------	---	--------

SOVEREIGN 4.0

SOVEREIGN 4.0	1990 - on	FDB577	FDB632
---------------	-----------	--------	--------

XK8

XK8	1996 - on	FDB577	FDB632
-----	-----------	--------	--------

DKW

JUNIOR

JUNIOR	1962 - 65	FDB3	DRUM
--------	-----------	------	------

DODGE

CALIBER

1.8 SE, SXT	2006 - on	MX866	PD1037
2.0 CRD SXT	2006 - on	MX866	PD1037
2.0 SXT CVT	2006 - on	MX866	PD1037

CHARGER

CHARGER	1972 - 75	D426	2089/333
---------	-----------	------	----------

JOURNEY

2.7	2008-ON		FDB4196
2.0 CRD	2008-ON		FDB4196

NITRO

2.8i CRD SXT (ALL MODELS)	2007 - on	FDB4074	FDB4239
3.7i R/T, SXT	2007 - on	FDB4074	FDB4239

SE & AVENGER

SE & AVENGER	1973 - 78	FD547	2126T/114
--------------	-----------	-------	-----------

DODGE COMMERCIAL

D 100 & D 200

D 100 & D 200	1975 - 80	D427	2075/333
---------------	-----------	------	----------

HUSKY

HUSKY	1974 - 78	FD558	814
-------	-----------	-------	-----

FERRARI

246 GT

246 GT	1971 - 75	FDB11	FDB91
--------	-----------	-------	-------

308 GT4, GTB & GTS

308 GT4, GTB & GTS	1973 - 81	FDB11	FDB91
308 GT4, GTB & GTS	1982 - on	✓ FDB256	FDB296

400 GT

400 GT	1976 - on	FDB34	FDB35
--------	-----------	-------	-------

APPLICATION GUIDE

YEAR

DS

FRONT
PAD

FRONT
DISC

ALT
NO.

DS

REAR
PAD/SHOE

REAR
DISC

ALT
NO.

599							
599 GTB 6.0 V12 COUPE	2007 - on						
BERLINETTA BOXER							
BERLINETTA BOXER	1975 - on		FDB34			FDB35	
F355 BERLINETTA, GTS, SPIDER							
F355 BERLINETTA, GTS, SPIDER	1995 - on	✓	FDB451		✓	FDB451	
F430							
F430 FI COUPE & SPYDER	2006 - on						
MONDIAL 3.0 16V							
MONDIAL 3.0 16V	1981 - on	✓	FDB256			FDB296	
MONDIAL 3.0 32V							
MONDIAL 3.0 32V	1983 - on	✓	FDB256			FDB296	
MONDIAL 3.0 CABRIOLET							
MONDIAL 3.0 CABRIOLET	1984 - on	✓	FDB256			FDB296	
MONDIAL 3.2							
MONDIAL 3.2	1985 - on	✓	FDB256			FDB296	
FIAT							
1100 D							
1100 D	1965 - 66		FDB21			DRUM	
124							
124	1967 - 68		FDB21			FDB22	
124	1969 - 77		FDB29			FDB22	
125							
125	1969 - 75		FDB29			FDB22	
128							
128	1971 - 84		FDB29			431	
131							
131	1977 - 80		FDB29			474	
132							
132	1975 - 78		FDB29			FDB22	
500							
1.2 POP	2008 - on		FDB1944				
1.4 LOUNGE & SPORT	2008 - on		FDB1946				
850							
850	1968 - 69		FDB20			401	
850	1970 - 71		FDB21			401	
1500 & SABLE							
1500 & SABLE	1965 - 69		FDB9		✓	FDB815	

APPLICATION GUIDE

	YEAR	DS	FRONT PAD	FRONT DISC	ALT NO.	DS	REAR PAD/SHOE	REAR DISC	ALT NO.
2300									
2300	1965 - 69		FD517			✓	FDB815		
BRAVO									
1.4 T-JET DYNAMIC & SPORT	2007 - on		FDB1468				FDB1469		
1.9 MULTIJET DYNAMIC	2007 - on		FDB1468				FDB1469		
COUPE 2.0 20V TURBO									
COUPE 2.0 20V TURBO	1998 - on		FDB721				FDB1113		
CROMA									
2.2 (ALL MODELS)	2005 - on		FDB1520	DDF1678-1 (V)			FDB1797	DDF1679-1 (S)	
ELITA									
ELITA	1978 - 80		FDB29				FDB22		
GRANDE PUNTO									
1.2 ACTIVE	2006 - on		FDB1466				FDB1858		
1.3 (ALL MODELS)	2006 - on		FDB1466				FDB1858		
1.4 (ALL MODELS)	2006 - on		FDB1466				FDB1858		
1.9 DIESEL	2006 - on		FDB1467				FDB1858		
MULTIPLA									
1.6	10/04 - on	✓	FDB1052				FDB1469		
1.9 JTD MPV	04/03 - 10/04	✓	FDB1052				FDB1469		
PALIO & SIENA RANGE :									
PALIO 1.2 & 1.6	1999 - 2003		FDB896	DDF888-1	978		605		
PALIO 1.2 & 1.6	2003 - 2005								
PALIO 1.6 WEEKEND	1999 - 2003		FDB1376				605		
PALIO 1.6 WEEKEND	2003 - 2005								
SIENA 1.2 & 1.6 (ALL MODELS)	1999 - 2003		FDB896	DDF888-1	978		605		
SIENA 1.2 & 1.6 (ALL MODELS)	2003 - 2005								
PALIO II									
1.2 EL, GO!, VIBE (ALL MODELS)	2005 - on								
1.6 EL, ELX	2005 - on								
1.7 TD (ALL MODELS)	2005 - on								
PANDA									
1.2 (4x2)	2005 - on		FDB1630						
1.2 (4x4)	2005 - on		FDB1652						
PUNTO									
1.2 16V	07/04 - on		FDB1160						
1.3 JTD	07/04 - on		FDB1651						
1.8 HGT	07/04 - on	✓	FDB1052				FDB1324		
SEICENTO									
SEICENTO	2001 - on		FDB749						
SIENA II									
1.2 EL	2005 - on								
1.6 EL, ELX	2005 - on								
1.7 TD EL	2005 - on								

APPLICATION GUIDE

YEAR

DS

FRONT
PAD

FRONT
DISC

ALT
NO.

DS

REAR
PAD/SHOE

REAR
DISC

ALT
NO.

STILO

1.6	11/03 - on		FDB1466			FDB1469
1.9JTD	11/03 - on		FDB1467			FDB1469
2.4 20V ABARTH	09/04 - on		FDB1468			FDB1469

ULYSSE

2.0 I.E.	1998 - 01		FDB1000			FDB1003
2.2 JTD	2003 - on		FDB1556		✓	FDB1083
1.8	2000 - on		FDB1002			

UNO RANGE

FIRE 1100	1990 - 99		FDB351	DDF083-1	293	545
PACER 1400 & 1400 SX	1990 - 99		FDB351	DDF083-1	293	545
TURBO 1400	1990 - 99	✓	FDB370	DDF148-1	727	FDB409
BEAT	1996 - 98		FDB351	DDF083-1	293	545
CENTO 1000	1996 - 98		FDB351	DDF083-1	293	545
FIRE RIO 1100	1996 - 99		FDB351	DDF083-1	293	545
TEMPO 1100	1998 - 00		FDB351	DDF083-1	293	545
MIA 1100 & 1400	1998 - on		FDB351	DDF083-1	293	545
1.2 (ALL MODELS)	2007 - on					

X1/9

X1/9	1977 - 80		FDB29			FDB22
------	-----------	--	-------	--	--	-------

FIAT COMMERCIAL

DOBLO 1.3 JTD PANEL VAN

1.3 JTD	2006 - on		FDB1467			
---------	-----------	--	---------	--	--	--

DOBLO 1.4 PANEL VAN

DOBLO 1.4 PANEL VAN	2006 - on		FDB1467			
---------------------	-----------	--	---------	--	--	--

DOBLO 1.9 P/VAN

DOBLO 1.9 P/VAN	2003 - 2005		FDB1376			
-----------------	-------------	--	---------	--	--	--

DOBLO 1.9D PANEL VAN

DOBLO 1.9D PANEL VAN	2006 - on		FDB1467			
----------------------	-----------	--	---------	--	--	--

DUCATO

2.3 JTD PANEL VAN	2005 - on		FVR1479			FVR1480
100 2.2 JTD	2005 - on		FVR1926			FVR1927
120 2.2 JTD	2005 - on		FVR1926			FVR1927
160 2.2 JTD	2005 - on		FVR1926			FVR1927

PALIO PANEL VAN

1.2 EXPRESSO P/VAN	2005 - on					
--------------------	-----------	--	--	--	--	--

STRADA PICK UP

1.2 EL	2003 - on					
1.6 EL, ELX	2004 - on		FDB1376			
1.7 TD (ALL MODELS)	2004 - on		FDB1376			
1.4 X-SPACE (ALL MODELS)	2006 - on		FDB1376			

SCUDA

120 MULTIJET	2008 - on		FVR1771			FVR1772
--------------	-----------	--	---------	--	--	---------

APPLICATION GUIDE

YEAR

DS

FRONT
PAD

FRONT
DISC

ALT
NO.

DS

REAR
PAD/SHOE

REAR
DISC

ALT
NO.

UNO EXPRESSO PANEL VAN

UNO EXPRESSO PANEL VAN

1992 - 96

FDB351

DDF083-1

293

545

FORD

CAPRI

ALL MODELS

1969 - 70

FD525

778

ALL MODELS

1970 - 73

FD558

789

CORTINA

1200, 1300 & 1500

1965 - 71

FD535

739

1600 XL

1969 - 71

FD525

778/791

1.3L

1978 - 80

FD558

792

1.3L ; 1.6L & GL

1980 - 83

FD558

792

1.6 & L, 2.0L & XL

1971 - 77

FD558

792

1.6G ; GL ; 2.0 GL ; GLE

1977 - 80

FD558

792

2.0 GT

1971 - 73

FD558

792

2.0 GL & GHIA

1980 - 83

FD558/559

792

3.0 GL

1979 - 80

FD559

792

3.0 GLS/WAGON

1980 - 84

FD559

792

GT

1967 - 71

FD525

778

GHIA & 3.0S

1977 - 80

FD558/559

793

MK3 2.5 & 3.0 V6

1972 - 77

FD559

792

SUPER

1967 - 71

FD535

778

XR6

1980 - 83

FD559

819

COSAIR

ALL MODELS

1966 - 68

FD525

778

ESCORT

1.3 GT

1968 - 70

FDB809

732

1.3L & SUPER

1968 - 75

FDB809

732

1.3L & 1.6 GL

1975 - 81

FD558

794

1.6 GT

1970 - 72

FD535

732

1.6L & XL

1970 - 75

FD535

732

1600 SPORT

1979 - 81

FD558

794

RS 2000

1978 - 80

FD558

794

XR3

1981 - 86

FDB212

526

XR3i

1984 - 86

FDB212

DDF183-1

330

526

ALL OTHER MODELS

1981 - 86

FDB206

711

1400i, 1600i GL, GLE, SPORT, 1800i

10/95 - 2/96

FDB617

DDF766-1

395

565

1400i, 1600i GL, GLE, SPORT, 1800i

03/96 - 00

FDB259

DDF766-1

395

565

1.4i, 1.6i, 1.8i (ALL MODELS)

03/96 - 00

FDB259

DDF766-1

395

565

EXPLORER

4.0 XLT 4X4 (U.S. IMPORT)

1995 - 99

FDB1129

FDB1130

FAIRLANE

FAIRLANE V8

1962 - 74

D413

2121T/263

FAIRLANE V8

1968 - 72

PDB1

2093T/151

FAIRLANE 500

1965 - 72

FDB68

2093T/151

FAIRLANE 500

1972 - 76

PDB6

2093T/151

FAIRMONT

FAIRMONT

1969 - 72

PDB1

2093T/151

FAIRMONT GT

1970 - 73

D413

2093T/151

FERODO

YOU'RE IN CONTROL

APPLICATION GUIDE

YEAR

DS

FRONT
PAD

FRONT
DISC

ALT
NO.

DS

REAR
PAD/SHOE

REAR
DISC

ALT
NO.

FALCON

FAIRMONT, FUTURA, GLI, XR6	1996 - on		FDB1084			FDB1157
FAIRMONT, FUTURA, GLI, XR6	1997 - on		FDB1084			
FAIRMONT, FUTURA, XR6	2000 - on					

FIESTA

1.3I (ALL MODELS)	1997 - 1999		FDB589	DDF208-1	329	575
1.3I (ALL MODELS)	00 - 02/01		FDB966			575
1.3I (ALL MODELS)	03/01 - on		FDB259			575
1.4I (ALL MODELS)	1998 - 1999		FDB589	DDF766-1	395	575
1.4I (ALL MODELS)	00 - 02/01		FDB966	DDF766-1	395	575
1.4I (ALL MODELS)	03/01 - on		FDB259	DDF766-1	395	575
1.4I (ALL MODELS)	12/03 - on		FDB1394			
1.6 RSI & SPORT	00 - 02/01		FDB966	DDF766-1	395	575
1.6 RSI & SPORT	03/01 - on		FDB259	DDF766-1	395	575
1.6I (ALL MODELS)	12/03 - on		FDB1394			
2.0 ST, 2.0I ST150	2005 - on	✓	FVR1568			FDB1319

FIESTA VI

1.4 AMBIENTE & TREND	2008 - on		FDB4179			
1.6 AMBIENTE	2008 - on		FDB4179			
1.6 TDCI AMBIENTE	2008 - on		FDB4179			

FOCUS

1.6 AMBIENTE	06/03 - on	✓	FDB1318			FDB1319	DDF281-1	991
1.8 TDCI	10/03 - on	✓	FDB1318			FDB1319	DDF281-1	991
2.0	1999 - on	✓	FDB1318			FDB1319	DDF281-1	991
2.0 TREND	06/02 - on	✓	FDB1318			FDB1319	DDF281-1	991
2.0I ST170 HATCH	07/03 - on	✓	FVR1568			FDB1319		

FOCUS II

1.6, 2.0 (ALL MODELS)	2005 - on		FDB1594			FDB1931
2.0 TDCI (ALL MODELS)	2005 - on		FDB1594			FDB1931
2.5 ST	2006 - on		FDB1706			FDB1931

GALAXIE

GALAXIE - IMPORTED	1968 - on		D413			2121T/263
GALAXIE - LOCAL	1968 - on		FDB18			2121/263

GRANADA

GRANADA 2.0	1978 - 85		FD558			490
GRANADA 2.3L	1984 - 86		FDB286			490
GRANADA 2.5 & 3.0 GHIA	1973 - 78		FDB83			793
GRANADA 3.0 & GHIA	1978 - 85		FDB83			490

IKON

ALL MODELS	03/01 - on		FDB259			575
------------	------------	--	--------	--	--	-----

KA

1.3 (ALL MODELS)	2005 - on		FDB1393			
1.4 (ALL MODELS)	2005 - on		FDB1394			

LASER

ALL MODELS EXCEPT TX3 & 1600I SPORT	1986 - 95		FDB395	DDF195-1	345	537
IMPORTED MODELS	1986 - on		FDB241			537
1.3, 1.6 DASH, TRACER, TONIC	1995 - on		FDB395	DDF766-1	395	537
TX-3	1986 - on		FDB395	DDF195-1	345	FDB482

APPLICATION GUIDE

	YEAR	DS	FRONT PAD	FRONT DISC	ALT NO.	DS	REAR PAD/SHOE	REAR DISC	ALT NO.
1600I SPORT	1986 - 96		FDB395	DDF195-1	345		FDB482		
1.6I TRACER, SPORT	1995 - on		FDB395	DDF766-1	395		FDB482		
2.0I RS	1991 - 94		FDB395	DDF431-1	321		FDB482		
METEOR									
ALL EXCEPT 1600 GLI & 2.0 GLE & GLI	1986 - 95		FDB395	DDF195-1	345		537		
1600 GLI	1986 - 89		FDB395	DDF195-1	345		FDB482		
2.0 GLE	1991 - 94		FDB395	DDF195-1	345		FDB482		
2.0 GLI 16V	1991 - 94		FDB395	DDF431-1	321		FDB482		
MONDEO									
1.8I LX, TD, 2.0 CLX (ALL MODELS)	1997 - 2001		FDB884	DDF364-1	963		584		
1.8I LX, TD, 2.0 CLX (ALL MODELS) - ALTERNATE	1997 - 2001		FDB766	DDF364-1	963		584		
2.0 GHIA & TREND	2001 -09/04		FDB1425				FDB1416		
2.0 GHIA & TREND	10/04 - on		FDB1425				FDB1885		
2.5 SI (ALL MODELS)	1998 - 01		FDB767				FDB913		
2.5 SI (ALL MODELS) - ALTERNATE	1998 - 01		FDB884				FDB913		
ST220	2003 -09/04		FDB1425				FDB1416		
ST220	10/04 - on		FDB1425				FDB1885		
SAPPHIRE									
1.6, 2.0	1988 - 93		FDB206	DDF183-1	330		522		
3.0 GLX	1989 - 93		FDB579	DDF209-1	344		FDB398		
3.0 LX	1989 - 93		FDB579	DDF209-1	344		544		
3.0L GHIA, 3.0I RS	1991 - 93		FDB579	DDF209-1	344		FDB398		
SIERRA									
1.6, 2.0 & 2.3	1983 - 86		FDB212	DDF183-1	330		521		
1.6 & 2.0	1987 - 93		FDB206	DDF183-1	330		521		
3.0	1989 - 93		FDB579	DDF209-1	344		FDB398		
XR6	1984 - 86		FDB276	DDF209-1	344		522		
XR6	1987 - 89		FDB579	DDF209-1	344		522		
XR6	6/1989 - 93		FDB579	DDF209-1	344		FDB398		
XR8	1984 - 87		FRP203				FDB328		
TAUNUS									
17M & 20M	1965 - 68		FDB2						
ALL OTHER MODELS	1968 - 72		FDB11						
TELSTAR									
ALL MODELS	1993 - 98		FDB870	DDF496-1	743		FDB869	DDF524-1	744
TX-5	1993 - 98		FDB870	DDF496-1	743		FDB869	DDF524-1	744
TERRITORY									
4.0 GHIA (ALL MODELS)	2005 - on		FDB1943				FDB1944		
4.0 TX	2005 - on		FDB1943				FDB1944		
4.0I ST	2006 - on		FDB1943				FDB1944		
ZEPHYR & ZODIAC									
ZEPHYR	1965 - 66		FD519				FD539		
ZEPHYR	1966 - 69		FD525				DRUM		
ZODIAC									
ZODIAC	1966 - 69		FD525				FD539		

APPLICATION GUIDE

YEAR

DS

FRONT
PAD

FRONT
DISC

ALT
NO.

DS

REAR
PAD/SHOE

REAR
DISC

ALT
NO.

FORD COMMERCIAL

BANTAM BAKKIE

T300	1983 - 1986	FDB206	DDF1327-1	391	526
T300 (ALTERNATE FRONT DISC)	1983 - 1986				526
T400	1986 - 1993	FDB206	DDF1327-1	391	526
T400 (ALTERNATE FRONT DISC)	1986 - 1993				526
ALL MODELS EXCEPT T600I	1994 - 1999	FDB395	DDF195-1	345	537
ALL MODELS EXCEPT T600I	2000 - 2002	FDB395	DDF195-1	345	583
T600	1984 - 1993	FDB206	DDF183-1	330	526
T600I	1994 - 2002	FDB395	DDF766-1	395	537
T600I (ALTERNATE FRONT DISC)	1994 - 2002				537
ALL MODELS	2002 - on	FDB259			

BRAVO

MINI BUS	1995 - on	FDB170			819
----------	-----------	--------	--	--	-----

CORTINA BAKKIE

CORTINA BAKKIE 1.6, 2.0 & 2.5	1971 - 77	FD558	DDF1331-1	755	792
CORTINA BAKKIE 1.6	1977 - 86	FD558	DDF1331-1	755	793
CORTINA BAKKIE 3.0	1977 - 86	FD559	DDF1331-1	755	819
CORTINA BAKKIE 2.4 DIESEL	1982 - 85	FD559	DDF1331-1	755	819

COURIER BAKKIE

T600, 2000 LWB	1986 - 91	FDB580	DDF357-1	351	538
T800 (ALL MODELS)	1991 - 96	FDB580	DDF357-1	351	538
T800 (ALL MODELS)	1997 - 00	FDB486	DDF357-1	351	538
2200 (ALL MODELS)	1986 - 96	FDB580	DDF357-1	351	538
2200 (ALL MODELS)	1997 - 00	FDB486	DDF357-1	351	538
2500 4X2 (ALL MODELS)	1997 - 00	FDB486	DDF357-1	351	538
2500 4X4 (ALL MODELS)	1997 - 00	FDB1025	DDF1332-1	371V	538
3000 V6 4X2	1990 - 96	FDB580	DDF357-1	351	538
3000 V6 4X2	1997 - 98	FDB486	DDF357-1	351	538
3000 V6 4X4	1990 - 98	FDB633	DDF602-1	392	538
3400 4X2	1997 - 00	FDB486	DDF1332-1	371V	538
3400 4X4	1997 - 00	FDB1025	DDF1332-1	371V	538

ESCORT

ESCORT PANELVAN	1975 - 81	FD558			742
-----------------	-----------	-------	--	--	-----

F SERIES

F100	1974 - 81	D422			2141/263
F250	1966 - 81	D442/412			2131/316B
F350	1974 - 81	D412			DRUM
F250	2005 - on	MX756			

HUSKY

MINI BUS , PANEL VAN & PICK/UP	1985 - 97	FDB170			819
--------------------------------	-----------	--------	--	--	-----

RANCHERO

RANCHERO IMPORTED	1969 - 74	D414			816B/817B
RANCHERO	1971 - 76	PDB6			2092/154
RANCHERO 4.0 GLI UTE, BK & XR6	1997 - 99	FDB1084			FDB1157

RANGER BAKKIE

ALL MODELS	00 - 09/03	FDB486	DDF357-1	371V	630
ALL MODELS - ALTERNATE	00 - 09/03	FDB486	DDF357-1	371V	632

APPLICATION GUIDE

	YEAR	DS	FRONT PAD	FRONT DISC	ALT NO.	DS	REAR PAD/SHOE	REAR DISC	ALT NO.
1800 & 2200	09/03 - on		FDB486	DDF357-1	371V		538		
2.2i S/CAB	2007 - on								
2500D & 2500TD - ZIMBABWE MODELS	06/99 - on		FDB1527						
2500D & 2500TD (WITH SINGLE PISTON CALIPER)	09/03 - on		FDB486						
2500D & 2500TD (WITH DOUBLE PISTON CALIPER)	09/03 - on		FDB1817						
2500TD 4X4 (WITH SINGLE PISTON CALIPER)	09/03 - on		FDB486						
2500TD 4X4 (WITH DOUBLE PISTON CALIPER)	09/03 - on		FDB1817						
2.5 TD 4X4 D/CAB	2007 - on		FDB1817						
2.5 TD HI TRAIL 4X2 D/CAB	2007 - on		FDB1817						
2.5 TD XLT 4X4	2007 - on		FDB1817						
2.5D S/CAB	2007 - on		FDB1817						
2.5TD 4X4 S/CAB	2007 - on		FDB1817						
2.5TD HI TRAIL 4X2 SUPER CAB	2007 - on		FDB1817						
2.5TD HI TRAIL XL 4X2 S/CAB	2007 - on		FDB1817						
3.0 TDCI HI TRAIL XLE 4X2 D/CAB	2007 - on		FDB1817						
3.0 TDCI XLE 4X4 D/CAB	2007 - on		FDB1817						
3.0 TDCI XLT 4X4 SUPER CAB	2007 - on		FDB1817						
3.0 TDCI XLT HI TRAIL 4X2 S/CAB	2007 - on		FDB1817						
3.0 TDCI XLT HI TRAIL 4X2 SUPER CAB	2007 - on		FDB1817						
4000 4X2 (WITH SINGLE PISTON CALIPER)	09/03 - on		FDB486						
4000 4X2 (WITH DOUBLE PISTON CALIPER)	09/03 - on		FDB1817						
4000 4X4 (WITH SINGLE PISTON CALIPER)	09/03 - on		FDB486						
4000 4X4 (WITH DOUBLE PISTON CALIPER)	09/03 - on		FDB1817						
4.0i V6 HI TRAIL XLE 4X2 D/CAB	2007 - on		FDB1817						
4.0i V6 XLE 4X4	2007 - on		FDB1817						
4.0i V6 XLT HI TRAIL 4X2 SUPER CAB	2007 - on		FDB1817						
BT-50	2008-		FDB1527						
SPECTRON									
MINI BUS & PANEL VAN	1992 - on		FDB757	DDF357-1	371V		550		
FOTON									
MINI-BUS & PANEL VAN									
2.2 (ALL MODELS)	2007 - on		FDB388						
GAZ									
GAZELLE									
2.1	2005 - on		FDB1291						
GEELY INTERNATIONAL CORPORATION									
GEELY									
1.3 CK1	2007 - on								
1.5 CK1	2007 - on								
GONOW AUTO									
X-SPACE BAKKIE									
2.2 BAKKIE (ALL MODELS)	2007 - on		FDB388						
X-SPACE 2.8 TD	2008 - ON								

APPLICATION GUIDE

YEAR

DS

FRONT
PAD

FRONT
DISC

ALT
NO.

DS

REAR
PAD/SHOE

REAR
DISC

ALT
NO.

GWM (GREAT WALL MOTORS)

STEED

STEED (ALL MODELS) 2007 - on FDB4073

HOVER

HOVER (ALL MODELS) 2007 - on FDB4073

2.2 BAKKIE

2.2 BAKKIE (ALL MODELS) 2007 - on FDB388

2.8 Tdi BAKKIE (ALL MODELS) 2007 - on

HILLMAN

AVENGER

1300 1974 - 78 FDB809 761

1600 1974 - 78 FD535 761

HUNTER

HUNTER ARROW W/OUT SERVO 1967 - 69 FD29L 781

HUNTER ARROW & VOGUE 1969 - 72 FD35L 787

HUNTER VOGUE 1972 - 77 FD558 761

MINX

SUPER MINX 1965 - 67 FDB823 781

HOLDEN

HD 225 SPECIAL

HD 225 SPECIAL 1965 - 68 FD525 776/778

KINGSWOOD, PREMIER & MONARO

KINGSWOOD, PREMIER & MONARO 1968 - 71 FD525 811

HONDA

ACCORD

2.0 2007 - on FDB1704 FDB1506

2.4 (ALL MODELS) 2003 - on FDB1704 FDB1506

BALLADE

BALLADE 1982 - 84 FDB208 DDF203-1 340 508

130 1984 - 89 FDB285 DDF203-1 340 536

150,150I 1984 - 1989 FDB285 DDF203-1 340 536

150 16V SOHC 1989 - 92 FDB300 DDF377-1 717 536

150 (ALL MODELS) 1992 - 96 FDB777 FDB778 DDF950-1 739

150I (ALL MODELS) 04/96 - 00 ✓ FDB776 FDB778 DDF950-1 739

150I (ALTERNATE FRONT DISC) 1984 - 1989 FDB285 DDF289-1 734 536

160I 1984 - 89 FDB285 DDF152-1 734 536

160I (ALTERNATE) 1987 - 89 FDB530 DDF377-1 717 539

160I, 160I TWIN CAM 1989 - 92 ✓ FDB598 DDF377-1 717 FDB472

160I 1992 - 96 FDB777 FDB778 DDF950-1 739

160E - WITH ABS 1992 - 94 ✓ FDB776 FDB778 DDF950-1 739

160I, 160I V-TEC (ALL MODELS) 04/96 - 00 ✓ FDB776 FDB778 DDF950-1 739

180E, 180I (ALL MODELS) 1994 - 00 ✓ FDB776 FDB778 DDF950-1 739

APPLICATION GUIDE

YEAR
DS
FRONT PAD
FRONT DISC
ALT NO.
DS
REAR PAD/SHOE
REAR DISC
ALT NO.

CIVIC

150I, 160I (ALL MODELS)	1996 - 2000	✓	FDB776	DDF447-1	737	FDB778	DDF950-1	739
150I	2003 - on							
160I V-TEC	1996 - 2000	✓	FDB776	DDF492-1	738	FDB778	DDF950-1	739
170I V-TEC (ALL MODELS)	2001 - on	✓	FDB776	DDF492-1	738	FDB778	DDF950-1	739
1.7I V-TEC (FACE LIFT)	2004 - on							
1.8 (ALL MODELS)	2006 - on		FDB1859			FDB1862		
1.8 Lxi			FDB1669					

CR-V, CRX, HR-V

CR-V	1996 - on		FDB905			597		
CR-V 2.0	07/02 - on		FDB1658			FDB1679		
CR-V 2.0 RVI, RVS	2004 - on		FDB1658			FDB1679		
CRXI 1.6V	1991 - on	✓	FDB598			FDB621	DDF950-1	739
HR-V 1.6 4X4	2002 - on		FDB1505					
CRVIII	2007 - on		FDB4228					

FR-V

1.6	2004 - on		FDB1669			FDB1679		
1.8	2007 - on		FDB1669			FDB1679		
2.0	2005 - on		FDB1669	DDF1539-1		FDB1679		

JAZZ

1.4	04/03 - on		FDB777	DDF1610-1				
1.5 VTEC	2006 - on		FDB777					

ODYSSEY

ALL MODELS	1997 - 98		FDB905			FDB956		
ALL MODELS	1999 - on							

PRELUDE

PRELUDE	1984 - 87		FDB300			FDB301		
PRELUDE	1988 - 90		FDB585			FDB301		
PRELUDE 2.0I 16V	1990 - 91	✓	FDB598			FDB621		
PRELUDE 2.0I 16V - ALTERNATE	1990 - 91		FDB748			FDB621		
PRELUDE 2.2 V-TEC, VTI	1997 - 00		FDB905			FDB956		
PRELUDE 2.2SI - BA8 SERIES	1992 - 96		FDB904			FDB956		

S2000

2.0 ROADSTER	03/04 - on	✓	FDB1444			FDB956		
2.0 ROADSTER	2000 - 01	✓	FDB1444			FDB956		
2.0 VTEC	2006 - on							

HUMBER

SCEPTRE

SCEPTRE	1965 - 68		FDB823			781		
SCEPTRE	1969 - 70		FD35L			787		

HYUNDAI

ACCENT

1.3 XS	1996 - 00		FDB435	DDF389-1	818	578		
1.5 CS & RS	1994 - 00		FDB435	DDF389-1	818	578		
1.5 CSI & RSI	1997 - 00		FDB435	DDF389-1	818	578		
ALL MODELS	2000 - 2005		FDB435			578		

APPLICATION GUIDE

	YEAR	DS	FRONT PAD	FRONT DISC	ALT NO.	DS	REAR PAD/SHOE	REAR DISC	ALT NO.
1.6 GLS	2006 - on		FDB1955						
1.6 GLS HIGH SPEC (ALL MODELS)	2006 - on		FDB1955				FDB1956		
ATOZ									
1.0	1999 - 2001		FDB1326						
1.0 PRIME	2001 - on		FDB1950						
1.1 PRIME	2003 - on		FDB1950						
AZERA									
3.3	2006 - on		FDB1605				FDB1606		
i10									
1.1 (ALL MODELS)	2008 - on								
1.2 (ALL MODELS)	2008 - on								
i20									
1.4 I			FDB4234				FDB4235		
1.6 I			FDB4234				FDB4235		
ELANTRA									
1.6 GLS	1993 - 95	✓	FDB600	DDF482-1	817		560		
1.6 GLS - LIMITED EDITION WITH ABS	1995 - on	✓	FDB600	DDF482-1	817		FDB638		
1.6 GL, GLI, GLS & S/ WAGON	1996 - on	✓	FDB600	DDF482-1	817		560		
1.6 GLS	2001 - on		FDB1840						
1.6	2007 - on								
1.8 GL, GLI	1994 - on	✓	FDB600	DDF482-1	817		FDB638		
1.8 GLS & S/ WAGON	1996 - 00	✓	FDB600	DDF482-1	817		FDB638		
1.8 GLS	2001 - on		FDB1840				FDB638		
2.0 GLS & S/ WAGON	1996 - on	✓	FDB600				FDB638		
2.0	2007 - on								
GETZ									
1.3 & 1.6	2003 - on		FDB435				FDB1606		
1.4 (ALL MODELS)	2006 - on		FDB435						
1.5 CRDI	04/04 - on		FDB435				FDB1606		
MATRIX									
1.6, 1.8	2002 - on		FDB1840						
SANTE FE									
ALL MODELS	2001 - on		FDB1605				FDB1606		
SANTE FE	2006 - on								
CRDI	2005 - on		FDB4111				FDB1910		
SCOUPE									
SCOUPE	1993 - 95		FDB716				558		
SONATA									
2.0 GL	1994 - 99	✓	FDB600	DDF390-1	815		559		
2.0 GLS	1994 - 99	✓	FDB600	DDF390-1	815		FDB444		
2.0	06/03 - on	✓	FDB600				FDB1606		
ALLEGRO 2.0	1998 - on	✓	FDB600	DDF390-1	815		FDB1606		
VIVANTE 2.5	1998 - on	✓	FDB600	DDF390-1	815		FDB1606		
2.7 V6	06/03 - on	✓	FDB600				FDB1606		
3.0 GLS V6	1994 - 96	✓	FDB600	DDF390-1	815		FDB444		
2.4 (ALL MODELS)	2005 - on		FDB4246				FDB4247		

APPLICATION GUIDE

YEAR

DS

FRONT
PAD

FRONT
DISC

ALT
NO.

DS

REAR
PAD/SHOE

REAR
DISC

ALT
NO.

TERRACAN

2.9CRDI	11/03 - on		FDB1670			FDB1841
3.5 V6	11/03 - on		FDB1670			FDB1841

TIBURON

ALL MODELS	1996 - 2003	✓	FDB600	DDF482-1	817	FDB638
2.0	06/03 - on		FDB1733			FDB638
2.7 V6	06/03 - on		FDB1733			FDB638

TRAJET

2.0 CRDI	2005 - on		FDB1605			FDB1606
2.7 V6 GLS	2005 - on		FDB1605			FDB1606

TUCSON

2.0 4X2	11/04 - on		FDB1733			FDB1606
2.0 CRDI 4X4	11/04 - on		FDB1733			FDB1606
2.7 4X4	11/04 - on		FDB1733			FDB1606

HYUNDAI COMMERCIAL

1 TON BAKKIE & PANEL VAN (ALL MODELS)

1 TON BAKKIE & PANEL VAN (ALL MODELS)	1997 - 2004		FDB1014	DDF826-1	412	570
---	-------------	--	---------	----------	-----	-----

H 100 (ALL MODELS)

H 100 (ALL MODELS)	1998 - 2004		FDB1014	DDF826-1	412	570
----------------------	-------------	--	---------	----------	-----	-----

H 1

H-1 ALL MODELS	2009 - ON		FDB1860			
----------------	-----------	--	---------	--	--	--

H 100 (ALL MODELS) - ALTERNATE

H 100 (ALL MODELS) - ALT	1998 - 2004		FDB1014	DDF826-1	412	568
----------------------------	-------------	--	---------	----------	-----	-----

H100

H100	07/04 -		FDB1595			
------	---------	--	---------	--	--	--

INYATHI

TAXI 2.2	2006-on		FDB388			
----------	---------	--	--------	--	--	--

ISUZU

TROOPER

TROOPER 3.2 V6	1988 - 1991		FDB678			FDB679
TROOPER 3.2 V6	1991 - 2000		FDB1015			FDB1017

ISUZU COMMERCIAL

FRONTIER

280 DT	1997 - 2003		FDB710	DDF1335-1		819
320 V6	1997 - 2003		FDB710			819

KB SERIES

ALL MODELS	1979 - 1981					819
ALL MODELS	1981 - 83		FDB295			819
ALL MODELS	1983 - 1989		FDB474			819
ALL MODELS	1989 - 93		FDB678			819
ALL MODELS	06/04 - on		FDB1816			

APPLICATION GUIDE

	YEAR	DS	FRONT PAD	FRONT DISC	ALT NO.	DS	REAR PAD/SHOE	REAR DISC	ALT NO.
KB160 (ALL MODELS)	1989 - 1995		FDB678	DDF1335-1					819
KB200 (ALL MODELS)	1994 - 2004		FDB486	DDF1335-1					819
KB220 (ALL MODELS)	1994 - 2004		FDB486	DDF1335-1					819
KB230 (ALL MODELS)	1989 - 1995		FDB678	DDF385-1	267				819
KB250D (ALL MODELS)	1989 - 1996		FDB678	DDF385-1	267				819
KB250D (ALL MODELS)	1997 - 2004		FDB486	DDF385-1	267				819
KB260 (ALL MODELS)	1992 - 1996		FDB678	DDF385-1	267				819
KB260 (ALL MODELS)	1997 - 2004		FDB486	DDF385-1	267				819
KB280DT 4X4 & LE 4X4 (ALL MODELS)	1993 - 1996		FDB678						819
KB280DT LE 4X2 (ALL MODELS)	1993 - 1996		FDB678	DDF385-1	267				819
KB280DT 4X2, 4X4 (ALL MODELS)	1997 - 2004		FDB486	DDF385-1	267				819
KB300TDI (ALL MODELS)	2002 - 2004		FDB486	DDF385-1	267				819
KB320LX (ALL MODELS)	1998 - 2004		FDB486						819
KB300TDI (ALL MODELS)	2002 - 2004		FDB486	DDF385-1	267				819

RELAY

ALL MODELS	1989 - 95		FDB418						513
------------	-----------	--	--------	--	--	--	--	--	-----

WFR SERIES

MINI-BUS & PANEL VAN (ALL MODELS)	1983 - 1989		FDB418	DDF356-1	261				513
MINI-BUS & PANEL VAN	1989 - 1995		FDB418						513

IVECO LIGHT COMMERCIAL

TURBO DAILY SERIES

35.10	1983 - 93		FVR655						
35.10	1997 - on		FVR1102						FVR1102
35S11, 35S13	2000 - on		FVR1315						FVR1405
40C11	2001 - on		FVR1102						FVR1102
40C11 (ALTERNATE)	2001 - on		FVR1315						FVR1405
42.12, 45.12	99 - 2001		FVR1351						FVR1351
49.10, 49.12	95 - 96		FVR709						
49.10, 49.12	96 - 99		FVR1351						FVR1351
50C11	2001 - on		FVR1102						FVR1102
50C11 (ALTERNATE)	2001 - on		FVR1315						FVR1405
50C13	2000 - on		FVR1102						FVR1102
50C13 (ALTERNATE)	2000 - on		FVR1315						FVR1405
59.12	95 - 96		FVR852						
59.12	96 - 2000		FVR1350						
54.12	99 - 2001		FVR1350						
65C15	2001 - on		FVR1390						FVR1390
66.12	99 - 2001		FVR1350						

JAGUAR

3.8									
3.8 MKII	1965 - 66		FDB908						FDB908
3.8 MKII HANDBRAKE	1965 - 66								FDB821
3.8 S TYPE	1967 - 68		FD710						FD710
3.8 S TYPE HANDBRAKE	1967 - 68								FDB822

4.2									
4.2 V8 PREMIUM & SPORT	05/03 - on								

APPLICATION GUIDE

YEAR

DS

FRONT
PAD

FRONT
DISC

ALT
NO.

DS

REAR
PAD/SHOE

REAR
DISC

ALT
NO.

420						
420, MK10 & 420G	1965 - 72		FD715			FD710
420, MK10 & 420G HANDBRAKE	1965 - 72					FDB822
E - TYPE						
ALL MODELS	1968 - 74		FDB9		✓	FDB815
EXECUTIVE SERIES						
ALL MODELS	1974 - 80	✓	FDB817		✓	FDB815
S - TYPE						
2.7D SE	2006 - on		FDB1712	DDF1648-1		FDB1486
3.0 & 3.0 V6	1999 - on		FDB1485			FDB1486
4.0 V8	1999 - on		FDB1485			FDB1486
4.2 V8	2002 - on		FDB1711			FDB1713
4.2 V8 TYPE R	2003 - on		FDB1712			FDB1949
X - TYPE						
XF 3.0	2008 - on					
XF 3.0 D	2008 - on					
XF 5.0	2008 - on					
X - TYPE						
ALL	05/02 - on		FDB1425			FDB1416
ALL - ALTERNATE	10/04 - on		FDB1425			FDB1885
XJ6 SERIES						
XJ6, 2.8 & 4.2	1969 - 77		FDB9		✓	FDB815
XJ6, 2.8 & 4.2 - HANDBRAKE	1969 - 77					FDB822
XJ6	1983 - 86	✓	FDB817		✓	FDB815
XJ6 SOVEREIGN	10/86 - 11/87		FDB468			FDB469
XJ6 SOVEREIGN	11/87 - 12/89		FDB806			FDB807
XJ6 3.0 SOVEREIGN	2005 - on					
XJ6 4.0 L	1990 - 98		FDB577			FDB632
SOVEREIGN 4.0	1990 - 98		FDB577			FDB632
XJ8 SERIES						
4.2 SOVEREIGN & SUPER	2006 - on					
XJR						
XJR	1997 - on		FDB1951			FDB732
XJS SERIES						
XJS COUPE	1980 - 89	✓	FDB817		✓	FDB815
XJS 4.0 COUPE	1990 - on		FDB577			FDB632
XJS V12 CONVERTIBLE	1990 - on		FDB577			FDB632
XJS V12 COUPE	1990 - on		FDB577			FDB632
XK8 - ALL MODELS						
XK8 - ALL MODELS	1997 - on		FDB577			FDB1903
XK8 4.2 COUPE & CONVERTIBLE						
XK8 4.2 COUPE & CONVERTIBLE	07/03 - on		FDB577			FDB1903

APPLICATION GUIDE

YEAR

DS

FRONT
PAD

FRONT
DISC

ALT
NO.

DS

REAR
PAD/SHOE

REAR
DISC

ALT
NO.

XKR 4.2 CONVERTIBLE

XKR 4.2 CONVERTIBLE	07/03 - on	FDB577	FDB1903
---------------------	------------	--------	---------

KIA

CARENS

1.8 LS	2000 - 01	FDB1607	FDB1569
1.8 LS	2002 - 2003	FDB1602	FDB1569
CARENS II (ALL MODELS)	2003 - on	FDB1869	FDB1569

CARNIVAL

ALL MODELS	3/6/99	FDB1267	N/A*
ALL MODELS - FACE-LIFT	2000 - on	FDB1595	N/A*

CERATO

1.6	10/04 - on	FDB4014	FDB638
2.0CRDI	10/04 - on	FDB4014	FDB638
1.6	2009 - on	TBA	TBA
2.0CRDI	2009 - on	TBA	TBA

CLARUS 2.0

2.0	1998 - on	FDB1125	FDB1569
-----	-----------	---------	---------

MAGENTIS

2.0	08/04 - on	FDB1733	FDB1606
2.5	08/04 - on	FDB1733	FDB1606

PICANTO

1.1 EX (ALL MODELS)	2004 - on	FDB1783	FDB1902
1.1 LX (ALL MODELS)	2004 - on	FDB1783	

PRIDE LX 1.323I

PRIDE LX 1.323I	1998 - on	FDB597	589
-----------------	-----------	--------	-----

PRO_CEE'D

2.0i	2008 - on		
------	-----------	--	--

RIO

1.3, 1.5	08/02 - on	FDB1602	
1.3, 1.5	2000 - 2002	FDB715	
1.4 HATCH & SEDAN	2005 - on	FDB1955	
1.4 HIGH SPEC (ALL MODELS)	2005 - on	FDB1955	FDB1956

SEDONA

SEDONA 2.5	08/04 - on	FDB1595	
SEDONA 2.9 CRDI	08/04 - on	FDB1595	

SEPHIA 1.5I RS & LS

SEPHIA 1.5I RS & LS	1998 - 00	FDB1607	595
---------------------	-----------	---------	-----

SHUMA I

SHUMA 1.5	2/1/00	FDB1607	
SHUMA 1.8I	1999 - on	FDB1607	
SHUMA 1.8I (REAR DISC OPTION)	1999 - on	FDB1607	FDB1569

SHUMA II

1.6, 1.8 - WITH REAR DISCS	02/02 - on	FDB1602	FDB1569
1.6, 1.8 - WITH REAR DRUMS	02/02 - on	FDB1602	

APPLICATION GUIDE

YEAR

DS

FRONT
PAD

FRONT
DISC

ALT
NO.

DS

REAR
PAD/SHOE

REAR
DISC

ALT
NO.

SORENTO

2.5 TD	03/03 - on	FDB1735				FDB1736
3.5 V6	03/03 - on	FDB1735				FDB1736

SPECTRA

LS (ALL MODELS)	2001 - on	FDB1602				
-------------------	-----------	---------	--	--	--	--

SPORTAGE

2.0 4X4	1995 - 1998	MX670				591
2.0 4X4 - FACE-LIFT	1999 - 2004	MX774				
2.0 4X2 (ALL MODELS)	2005 - on	FDB1733				FDB1606
2.0 4X4 (ALL MODELS)	2005 - on	FDB1733				FDB1606
2.0 CRDI 4X4 (ALL MODELS)	2005 - on	FDB1733				FDB1606
2.7 AUTO 4X4	2005 - on	FDB1733				FDB1606

KIA COMMERCIAL

K2700

K2700	2001 - on	FDB1860	DDF1338-1	424		
-------	-----------	---------	-----------	-----	--	--

PREGIO PANEL VAN

PREGIO PANEL VAN	2001 - on	FDB1990				
------------------	-----------	---------	--	--	--	--

LADA

NIVA 4X4

NIVA 4X4	1987 - on	FDB195				561
----------	-----------	--------	--	--	--	-----

LAMBORGHINI

COUNTACH

COUNTACH	1973 - 84	FDB111				FDB111
----------	-----------	--------	--	--	--	--------

COUNTACH 4.6 V12

COUNTACH 4.6 V12	1985 - on	FDB154				FDB91
------------------	-----------	--------	--	--	--	-------

ESPADA

ESPADA	1970 - 75	FDB817	✓		✓	FDB815
--------	-----------	--------	---	--	---	--------

GALLARDO 5.0

GALLARDO 5.0	2003 - on	FDB1664				FDB1665
--------------	-----------	---------	--	--	--	---------

JALPA 3.5 V8

JALPA 3.5 V8	1985 - on	FDB163				FDB91
--------------	-----------	--------	--	--	--	-------

MURCIELAGO

6.5 V12 COUPE	2006 - on					
---------------	-----------	--	--	--	--	--

LANCIA

BETA

ALL MODELS	1974 - on	FDB101				FDB102
------------	-----------	--------	--	--	--	--------

DELTA

1600 TURBO	6/86 - on	FDB350				FDB360
HF INTEGRALE 2.0 16V	1987 - on	FDB650				FDB456
HF INTEGRALE 2.0 16V - ALTERNATE	1987 - on	FDB565				FDB456

APPLICATION GUIDE

YEAR

DS

FRONT
PAD

FRONT
DISC

ALT
NO.

DS

REAR
PAD/SHOE

REAR
DISC

ALT
NO.

FLAVIA / FULVIA

FLAVIA & FULVIA NON SERVO	1965 - 74	FDB30				FDB30
FLAVIA & FULVIA SERVO	1965 - 74	FDB908				FDB908
HANDBRAKE - ALL MODELS	1965 - 74					FDB821

KAPPA

ALL MODELS	1994 - on	FDB994			✓	FDB995
------------	-----------	--------	--	--	---	--------

PRISMA

ALL MODELS	1985 - 86	FDB364				DRUM
ALL MODELS	1986 - on	FDB350				FDB360

THEMA

ALL MODELS EXCEPT 3.0I V8 32V	1985 - 11/88	FDB410				FDB222
2.0IE 16V TURBO, 2.8 V6	12/88 - 12/91	FDB595				FDB222
2.0IE 16V TURBO, 2.8 V6 (ALTERNATE)	12/88 - 12/91	FDB595				FDB456
2.0IE 16V TURBO, 2.8 V6	01/92 - on	FDB650				FDB222
2.0IE 16V TURBO 2.8 V6 (ALTERNATE)	01/92 - on	FDB650				FDB456
3.0I V8 32V	1987 - 12/88	FDB542				FDB222
3.0I V8 32V	01/89 - on	FDB650				FDB222

LAND ROVER

90 SERIES

ALL MODELS	1972 - 83	FDB836				854
ALL MODELS	1984 - 86	FVR829	DDF246-1	766		854
ALL MODELS	1986 - 90	FDB520	DDF246-1	766		838
DEFENDER - ALL MODELS	1990 - 1992	FDB520	DDF246-1	766		838
DEFENDER - ALL MODELS	1993 - on	FDB520	DDF262-1	753		FDB872
DEFENDER 2.5 TD5	1999 - on	FDB871	DDF262-1	753		FDB872
DEFENDER 2.5 TD5 - ALTERNATE	1999 - on	FDB871	DDF262-1	753		FDB844
DEFENDER 2.5 TDI, 2.8I (ALL MODELS)	1996 - on	FDB871	DDF262-1	753		FDB872
DEFENDER 2.5 TDI, 2.8I (ALL MODELS) - ALTERNATE	1996 - on	FDB871	DDF262-1	753		FDB844

110 SERIES

ALL MODELS	1983 - 1986	FDB836	DDF246-1	766		838
ALL MODELS	1986 - 1992	FDB871	DDF246-1	766		838
DEFENDER - ALL MODELS	1993 - on	FDB871	DDF262-1	753		FDB872
DEFENDER - ALL MODELS - ALTERNATE	1993 - on	FDB871	DDF262-1	753		FDB844

130 SERIES

DEFENDER (ALL MODELS)	1996 - on	FDB871	DDF262-1	753		FDB872
DEFENDER (ALL MODELS) - ALTERNATE	1996 - on	FDB871	DDF262-1	753		FDB844

DISCOVERY I

ALL MODELS - SOLID DISC	1989 - on	FDB841	DDF246-1	766		FDB471
ALL MODELS - VENTILATED DISC	1989 - on	FDB520	DDF262-1	753		FDB471
2.5 TDI, 3.9 V8 (ALL MODELS)	1995 - 02/99	FDB520	DDF262-1	753		FDB844

DISCOVERY II

2.5 TD5, 4.0 V8 (ALL MODELS)	03/99 - on	FDB980				FDB981
--------------------------------	------------	--------	--	--	--	--------

DISCOVERY III

2.7 TD V6, 4.0 V6, 4.4 V8	2005 - on	FDB1615				FDB1613
4.2 V8	2005 - on	FDB1615				FDB1613

FREELANDER I

1.8, 2.0 (ALL MODELS)	1998 - 10/00	FDB1291				
-------------------------	--------------	---------	--	--	--	--

APPLICATION GUIDE

	YEAR	DS	FRONT PAD	FRONT DISC	ALT NO.	DS	REAR PAD/SHOE	REAR DISC	ALT NO.
1.8	11/00 - on		FDB1473						
2.0 TD4	11/00 - on		FDB1473						
2.5 V6	11/00 - on		FDB1473						
FREELANDER II									
2.2D S, SE, HSE	2007 - on		FDB1897				FDB1932		
3,2 V6 S, SE, HSE	2007 - on		FDB1897				FDB1932		
RANGE ROVER I									
ALL MODELS	1970 - 83		FDB829	DDF246-1	766		FDB830		
ALL MODELS	1984 - 85		FDB829	DDF246-1	766		FDB844		
VOGUE - SOLID DISC	1986 - 89		FDB841	DDF246-1	766		FDB471		
VOGUE - VENT DISC	1989 - on		FDB520	DDF262-1	753		FDB471		
RANGE ROVER II									
4.0 SE, 4.6 HSE	1995 - 02		FDB980				FDB981		
RANGE ROVER III									
3.0 HSE DIESEL	2006 - on								
3.0 TD6, 4.4 V8	03/02 - on		FDB1597				FDB1483		
3.6 TD V8	2006 - on								
4.2 V8 SPORT	2005 - on		FDB1615				FDB1613		
4.4 V8 SPORT	2007 - on		FDB1615				FDB1613		
RANGE ROVER SPORT									
4.2 V8 SPORT	2007 - on		FDB1996						
LOTUS									
ECLAT - ALLOY WHEELS									
ECLAT - ALLOY WHEELS	1974 - on		FD531				DRUM		
ECLAT - STEEL WHEELS									
ECLAT - STEEL WHEELS	1974 - on		FD568				DRUM		
ELITE									
ELITE	1982 - on		FDB9						
ESPRIT S3 & TURBO									
ESPRIT S3 & TURBO	1981 - 86		FDB116				FDB141		
ESPRIT SE									
ESPRIT SE	1989 - on		FDB265				FDB114		
ESPRIT TURBO									
ESPRIT TURBO	1987 - on		FDB265				FDB114		
MAHINDRA									
BOLERO									
2.5 TD (ALL MODELS)	2004 - on		FDB1291						
SCORPIO 2.0									
2.0	2006 - on								

APPLICATION GUIDE

YEAR

DS

FRONT
PAD

FRONT
DISC

ALT
NO.

DS

REAR
PAD/SHOE

REAR
DISC

ALT
NO.

SCORPIO 2.6TD

SCORPIO 2.6 CRD	2007 - on					
SCORPIO 2.6TD	10/04 - on					

XYLO

E2	2007 - on					
E8	10/04 - on					

MASERATI

ALL MODELS

ALL MODELS	1968 - 81		FD556			✓	FDB815
------------	-----------	--	-------	--	--	---	--------

BI-TURBO, 222, 425, SPIDER

BI-TURBO, 222, 425, SPIDER	1989 - on	✓	FDB256				FDB425
----------------------------	-----------	---	--------	--	--	--	--------

BI-TURBO

BI-TURBO	1994 - on		FDB856				FDB857
----------	-----------	--	--------	--	--	--	--------

2.8 GHIBLI

2.8 GHIBLI	1989 - on	✓	FDB256				FDB425
------------	-----------	---	--------	--	--	--	--------

MAZDA

1300

1300	1970 - 74		FD535				
------	-----------	--	-------	--	--	--	--

2

1.3 ACTIVE & DYNAMIC	2007 - on		FDB4110				
1.5 ACTIVE & DYNAMIC	2007 - on		FDB4110				

3

1.6, 2.0 (ALL MODELS)	07/04 - on		FDB1594				FDB1931
2.3 MPS	2007 - on		FDB1707				
2.3 SPORT	2007 - on		FDB4171				FDB1931

323 SERIES

1.3, 1.4, 1.6 RWD	1977 - 80		FDB153				413/740
1.3, 1.4, 1.6 FWD	1980 - 81		FDB206				
1.3, 1.4, 1.6 FWD	1982 - 84		FDB259				498
1.3, 1.5	1985 - 91		FDB395	DDF195-1	345		537
130 MIDGE & STING	1995 - on		FDB395	DDF195-1	345		537
1.6 EGI, GLE	1985 - 94		FDB395	DDF195-1	345		FDB482
1.6I SLE	1988 - on		FDB395	DDF195-1	345		FDB482
160 MIDGE	1995 - 99		FDB395	DDF195-1	345		537
160I MIDGE & STING, 160IS MIDGE	1995 - 99		FDB395	DDF195-1	345		FDB482
2.0 EGI & SLI	1988 - 91		FDB395	DDF195-1	345		FDB482
200I 16V, 200E	1991 - 95		FDB395	DDF431-1	321		FDB482
200E MIDGE	1995 - 97		FDB395				FDB482

5

2.0I (ALL MODELS)	2007 - on		FDB1594				FDB1675
---------------------	-----------	--	---------	--	--	--	---------

6

2.0 ELEGANT	02/03 - on		FDB1619				FDB372
2.3 SPORTY	02/03 - on		FDB1619				FDB372
2.3 MPS	2006 - on		FDB1706				FDB1721

APPLICATION GUIDE

YEAR

DS

FRONT
PAD

FRONT
DISC

ALT
NO.

DS

REAR
PAD/SHOE

REAR
DISC

ALT
NO.

616 SERIES

LUCE, CAPELLA & RX2	1971 - 79	FD558				740		
LUCE, CAPELLA & RX2 - ALTERNATE	1971 - 79	FD541				456		

626 SERIES

ALL MODELS	1993 - 96	FDB870	DDF496-1	743		FDB869	DDF524-1	744
1.6	1983 - 1989	FDB304				520		
1.8L	1983 - 1993	FDB304	DDF342-1	348		537		
1.8 8V & 12V (EUROPEAN MODEL)	1987 - 92	FDB576						
2.0	1983 - 1986	FDB304	DDF342-1	348		520		
2.0 EGI	1987 - 1989	FDB304	DDF342-1	348		520		
2.0 SL	1989 - 1992	FDB304	DDF342-1	348		537		
2.0 SLI 16V	1989 - 92	FDB304	DDF342-1	348		FDB279		
2.0 S/WAGON	1998 - 2002	FDB870	DDF496-1	743		FDB372	DDF524-1	744
2.0 SEDAN	1998 - 2003	FDB870	DDF496-1	743		537		
2.2 12V (EUROPEAN MODEL)	1989 - 92	FDB576						

ASTINA

180 SE	1995 - 00	FDB714	DDF495-1	819		FDB1012	DDF523-1	820
--------	-----------	--------	----------	-----	--	---------	----------	-----

ETUDE

ALL MODELS	1995 - 01/00	FDB714	DDF495-1	819		FDB1012	DDF523-1	820
160I (ALL MODELS)	02/00 - on	FDB1455						
180I (ALL MODELS)	2000 - 2003	FDB950						
180I (ALL MODELS)	2004 - on	FDB950				FDB372		

MX SERIES

MX-5 1.6	1990 - 93	FDB653				FDB654		
MX-5 1.8	1994 - 99	FDB1011				FDB1012		
MX-5 1.8	2001 - on	FDB1600						
MX-5 2.0	2005 - on	FDB1893	DDF1657-1			FDB1894		
MX-6	1993 - 98	FDB870				FDB869		

RX SERIES

RX7	1981 - 84	FDB40				FDB262		
RX-8	11/03 - on	FDB1758				FDB1759		

SOHO

1.3i	1997 - 98	FDB589				575		
1.4i	1998 - 99	FDB589				575		
1.4i	2000 - on	FDB966				575		

MAZDA COMMERCIAL

B SERIES

ALL MODELS	1981 - 82	FDB40				497		
ALL MODELS WITH IMPORTED CALIPER	1983 - 85	FDB271				819		
ALL MODELS WITH LOCAL CALIPER	1983 - 85	FDB374	DDF357-1	351		819		
B1600	1986 - 91	FDB580	DDF357-1	351		538		
B1800 (ALL MODELS)	1986 - 96	FDB580	DDF357-1	351		538		
B1800 (ALL MODELS)	1997 - 00	FDB486	DDF1332-1	258		538		
B2000 (ALL MODELS)	1986 - 92	FDB580	DDF357-1	351		538		
B2200	1986 - 96	FDB580	DDF357-1	351		538		
B2200	1997 - 00	FDB486				538		
B2200 - ZIMBABWE MODELS	06/99 - on	FDB1527						
B2200 DRIFTER	1991 - 96	FDB633	DDF1332-1	258		538		

FERODO

YOU'RE IN CONTROL

APPLICATION GUIDE

	YEAR	DS	FRONT PAD	FRONT DISC	ALT NO.	DS	REAR PAD/SHOE	REAR DISC	ALT NO.
B2500 D, TD - ZIMBABWE MODELS	06/99 - on		FDB1527						
B2500 TD 4X4, DOUBLE CAB 4X4	97 - 02/00		FDB1025	DDF1332-1	258		538		
B2500, B2500 TD 4X2	1997 - 00		FDB486	DDF1332-1	258		538		
B2600 4X4 PETROL	1988 - 96		FDB633	DDF602-1	392		538		
B3000 DRIFTER & DOUBLE CAB 4X4	1993 - 98		FDB633	DDF1332-1	371V		538		
B3000 V6 MAGNUM	1986 - 92		FDB580	DDF357-1	351		538		
B3400 4X2	1997 - 00		FDB486	DDF1332-1	371V		630/632		
B3400 4X4	1997 - 00		FDB1025				630/632		
BT-50 SERIES BAKKIES									
2500 TDI SLE 4X2 D/CAB	2007 - on		FDB1817						
2500 TDI SLX 4X2	2007 - on		FDB1817						
3000 CRDI 4X2	2007 - on		FDB1817						
3000 CRDI SLE 4X2 D/CAB	2007 - on		FDB1817						
3000 CRDI SLE 4X4 D/CAB	2007 - on		FDB1817						
DRIFTER SERIES									
(ALL MODELS)	03/00 - 08/03		FDB486	DDF1332-1	371V		538		
2.5 TD SLE & SLX (WITH SINGLE PISTON CALIPER)	09/03 - on		FDB1817						
2.5 TD SLE & SLX (WITH DOUBLE PISTON CALIPER)	09/03 - on								
2.6I SLE & SLX (WITH SINGLE PISTON CALIPER)	09/03 - on		FDB1817						
2.6I SLE & SLX (WITH DOUBLE PISTON CALIPER)	09/03 - on								
MARATHON									
MINI BUS & PANEL VAN	1991 - 03		FDB757	DDF357-1	351		513		
RUSTLER									
T300	1994 - 2002		FDB395	DDF195-1	345		537		
T400	1985 - 1993		FDB206	DDF1327-1	391		526		
T600	1985 - 1993		FDB206	DDF183-1	330		526		
T600	1994 - 2002		FDB395	DDF195-1	345		537		
MEIYA									
2.2 BAKKIE									
2.2 D/CAB BAKKIE (ALL MODELS)	2007 - on		FDB388						
2.2 S/CAB BAKKIE (ALL MODELS)	2007 - on		FDB388						
2.2 SUV									
2.2 SUV (ALL MODELS)	2007 - on		FDB388						
2.8 BAKKIE									
2.8TD D/CAB BAKKIE	2007 - on		FDB388						
2.8TD S/CAB BAKKIE	2007 - on		FDB388						
MERCEDES BENZ									
190 SERIES									
190 SERIES	1965 - 67		FDB11				370		
190E 1.8; 2.0 (W201 SERIES)									
190E 1.8; 2.0 (W201 SERIES)	1982 - 87		FDB303	DDF053-1	778		FDB328		
190E 1.8; 2.0; 2.3 (W201SERIES)									
190E 1.8; 2.0; 2.3 (W201SERIES)	1987 - 94		FDB669	DDF053-1	778		FDB328		

APPLICATION GUIDE

YEAR

DS

FRONT
PAD

FRONT
DISC

ALT
NO.

DS

REAR
PAD/SHOE

REAR
DISC

ALT
NO.

190 E 2.3 16V (W201SERIES)

190 E 2.3 16V (W201SERIES)

1985 - 94

FDB415

FDB979

280SL; SLC (R107 SERIES) - IMPORTED

280SL; SLC (R107 SERIES) - IMPORTED

1986 - 89

FDB629

FDB2

280SL; SLC (R107 SERIES) - IMPORTED - ALTERNATE

280SL; SLC (R107 SERIES) - IMPORTED

1986 - 89

FDB629

FDB645

300SL (R107 SERIES) - IMPORTED

300SL (R107 SERIES) - IMP

1986 - 89

FDB629

FDB2

300SL (R107 SERIES) - IMPORTED - ALTERNATE

300SL (R107 SERIES) - IMP

1986 - 89

FDB629

FDB645

300SL; 300SL-24V (R129 SERIES) - IMPORTED

300SL; 300SL-24V (R129 SERIES) - IMPORTED

1989 - 93

FDB646

FDB644

450SL; SLC (R107 SERIES) - IMPORTED

450SL; SLC (R107 SERIES) - IMPORTED

1986 - 89

FDB629

FDB2

450SL; SLC (R107 SERIES) - IMPORTED - ALTERNATE

450SL; SLC (R107 SERIES) - IMPORTED

1986 - 89

FDB629

FDB645

500SL; SLC (R107 SERIES) - IMPORTED

500SL; SLC (R107 SERIES) - IMPORTED

1986 - 89

FDB629

FDB2

500SL; SLC (R107 SERIES) - IMPORTED - ALTERNATE

500SL; SLC (R107 SERIES) - IMPORTED

1986 - 89

FDB629

FDB645

500SL (R129 SERIES) - IMPORTED

500SL (R129 SERIES) - IMP

1989 - 93

FDB646

FDB644

500SE; SEL (W140 SERIES) IMPORTED

500SE; SEL (W140 SERIES) IMPORTED

1992 - 96

FDB800

FDB799

600SE; SEL (W140 SERIES) IMPORTED

600SE; SEL (W140 SERIES) IMPORTED

1992 - 99

FDB800

FDB799

A-CLASS (W168 SERIES)

A160 (ALL MODELS EXCLUDING A160 LONG)

2000 - on

FDB1303

A160 LONG

2001 - on

FDB1303

FDB1782

A190 (ALL MODELS)

2000 - on

FDB1303

FDB1782

A-CLASS (W169 SERIES)

A170, A180 CDI, A200

2005 - on

FDB1749

FDB1782

ALK SERIES (W208 CABRIOLET SERIES)

ALK 230 & 320

1999 - on



FDB1050

FDB799

ALK 430

>07/99



FDB1050

FDB799

ALK 430 (ALTERNATIVE)

>07/99

FDB1037

FDB799

ALK 430

08/99 - on

FDB1001

FDB799

B-CLASS

B200 CDI

2006 - on

FDB1750

FDB1782

B200 T

2006 - on

FDB1750

FDB1782

APPLICATION GUIDE

YEAR

DS

FRONT
PAD

FRONT
DISC

ALT
NO.

DS

REAR
PAD/SHOE

REAR
DISC

ALT
NO.

C-CLASS (W202 SERIES)

C180 CLASSIC	1994 - 05/96		FDB854			FDB979
C180 CLASSIC	06/96 - 00		FDB854			FDB1310
C200 CLASSIC & ELEGANCE	1996 - 00		FDB854			FDB1310
C220 CLASSIC & ELEGANCE	06/96 - 97		FDB854			FDB1310
C220 CLASSIC & ELEGANCE	1994 - 05/96		FDB854			FDB979
C230 ELEGANCE	1996 - 99		FDB854			FDB1310
C230 KOMPRESSOR	1996 - 00	✓	FDB1049	DDF817-1	891	FDB1311
C240 ELEGANCE	1998 - on	✓	FDB1049	DDF817-1	891	FDB1311
C250 D CLASSIC & ELEGANCE	1995 - 05/96		FDB854			FDB979
C250 D CLASSIC & ELEGANCE	06/96 - 97		FDB854			FDB1310
C250 TD CLASSIC	06/97 - 01	✓	FDB1049	DDF817-1	891	FDB1311
C250 TD CLASSIC	1996 - 05/97	✓	FDB1049	DDF817-1	891	FDB979
C280 ELEGANCE	1994 - 05/97	✓	FDB1049			FDB979
C280 ELEGANCE	06/97 - 01	✓	FDB1049	DDF817-1	891	FDB1311

C-CLASS (W203 SERIES)

C180 & C180K (ALL MODELS)	2000 - on		FDB1428	DDF817-1	891	FDB1311
C180 TO C280 (WITH SPORT PACKAGE)	2000 - 2007		FDB1907			FDB1322
C200K (ALL MODELS)	2000 - on		FDB1428	DDF817-1	891	FDB1311
C220 CDI	10/02 - on		FDB1428			FDB1322
C230K (ALL MODELS)	2000 - on		FDB1429			FDB1311
C230K SPORT COUPE	2001 - on		FDB1429			FDB1322
C230 SPORT COUPE	2005 - on		FDB1429			FDB1322
C230 CLASSIC	2006 - on		FDB1429			FDB1311
C240	2000 - on		FDB1429			FDB1311
C240T	2001 - on		FDB1429			FDB1311
C270 CDI	2000 - on		FDB1429			FDB1311
C280 V6	2005 - on		FDB1429			FDB1311
C320	2000 - on		FDB1429			FDB1322
C320 CDI	2005 - on		FDB1429	DDF1650-1		FDB1322
C320 TO C350 (WITH SPORT PACKAGE)	2000 - on		FDB1907			FDB1322
C320 TO C350 (WITH SPORT PACKAGE) - ALTERNATE	2000 - on		FDB1661			FDB799
C320K	2004 - on		FDB1429			FDB1322
C32K AMG	2001 - on		FDB1661			FDB799
C350	2005 - on		FDB1429			FDB1322
C 55 AMG	2004 - on		FDB1661			FDB799

C-CLASS (W204 SERIES)

C180K (ALL MODELS)	2008 - on		FDB1978	DDF1688-1		FDB1980	DDF1689-1
C200K (ALL MODELS)	2007 - on		FDB1978	DDF1690-1		FDB1980	DDF1689-1
C220 CDI (ALL MODELS)	2007 - on		FDB1978	DDF1693-1		FDB1980	DDF1689-1
C280 (ALL MODELS)	2007 - on		FDB1979	DDF1693-1		FDB1980	DDF1689-1
C320 CDI (ALL MODELS)	2007 - on		FDB1979	DDF1691-1		FDB1980	DDF1689-1
C350 (ALL MODELS)	2007 - on		FDB1979	DDF1694-1		FDB1980	DDF1689-1

CL SERIES

CL500	2000 - on		FDB1426			
CL55 AMG	2002 - on					
CL600	2000 - on		FDB1426			
CL63 AMG	2007 - on					

CLC SERIES

CLC 200K	2008 - on					
CLC 350	2008 - on					

APPLICATION GUIDE

YEAR
DS
**FRONT
PAD**
**FRONT
DISC**
**ALT
NO.**
DS
**REAR
PAD/SHOE**
**REAR
DISC**
**ALT
NO.**

CLK SERIES (A208 COUPE SERIES)

CLK200 & CLK200 KOMPRESSOR	1997 - on	✓	FDB1049	DDF817-1	891	FDB1311
CLK230 KOMPRESSOR	1997 - on	✓	FDB1049			FDB1311
CLK320	1997 - on	✓	FDB1050			FDB799
CLK320 CABRIOLET	06/03 - on					
CLK430	06/03 - on	✓	FDB1050			FDB799
CLK430	08/99 - on		FDB1001			FDB799
CLK430 (ALTERNATIVE)	06/03 - on		FDB1037			FDB799

CLK SERIES (A209 SERIES)

CLK320	2003 - on		FDB1429			FDB1322
CLK350 (ALL MODELS)	2005 - on		FDB1661			FDB1322
CLK500 (ALL MODELS)	2003 - on		FDB1661			FDB799
CLK55 AMG (ALL MODELS)	2003 - on		FDB1661			FDB799
CLK63 AMG	2006 - on		FDB1661			FDB1809

CLS SERIES

CLS 350	2006 - on		FDB1661			FDB1831
CLS 500	2007 - on					
CLS 55 AMG	2006 - on		FDB1810			FDB1809
CLS 63 AMG	2006 - on					

E-CLASS (W124 SERIES)

200	1986 - 1990		FDB415	DDF124-1	149	FDB979	DDF122-1	776
200E	1990 - 1992		FDB415	DDF124-1	149	FDB979	DDF122-1	776
200E, 220E	1992 - 1995		FDB415	DDF181-1	775	FDB979	DDF122-1	776
230E	1986 - 1992		FDB415	DDF124-1	149	FDB979	DDF122-1	776
230E	1992 - 1993		FDB415			FDB979	DDF122-1	776
230E (IMPORTED MODELS)	1990 - 1994		FDB415			FDB693	DDF122-1	776
260E	1986 - 1993		FDB415	DDF181-1	775	FDB979	DDF122-1	776
260E (IMPORTED MODELS)	1990 - 1994		FDB415			FDB693	DDF122-1	776
280E	1993 - 1996		FDB415	DDF181-1	775	FDB979	DDF122-1	776
300CE (IMPORTED MODELS)	1990 - 1993		FDB415			FDB979	DDF122-1	776
300CE (IMPORTED) - ALT	1990 - 1993		FDB415			FDB693	DDF122-1	776
300D	1986 - 1989		FDB415	DDF124-1	149	FDB979	DDF122-1	776
300E	1987 - 1993		FDB415	DDF181-1	775	FDB979	DDF122-1	776
300TE (ESTATE)	1990 - 1994							
320E	1993 - 1995		FDB415			FDB979		

E-CLASS (W210 SERIES)

E200 KOMPRESSOR	2001 - 02	✓	FDB1050	DDF817-1	891	FDB799
E200 KOMPRESSOR (ALTERNATE)	2001 - 02	✓	FDB1050	DDF817-1	891	FDB1322
E220, E230	1996 - 99	✓	FDB1049	DDF817-1	891	FDB644
E220, E230 (ALTERNATE)	1996 - 99	✓	FDB1049	DDF817-1	891	FDB1311
E240	1998 - on	✓	FDB1049	DDF817-1	891	FDB1311
E240 (ALTERNATE)	1998 - on	✓	FDB1050			FDB1322
E270 CDI	2001 - on	✓	FDB1049			FDB1311
E270 CDI (ALTERNATE)	2001 - on	✓	FDB1050			FDB1322
E280	2001 - on	✓	FDB1050			FDB799
E280, E280 V6	1997 - 01	✓	FDB1050			FDB799
E280, E280 V6 (ALTERNATE)	1997 - 01	✓	FDB1050			FDB1322
E320	1996 - on	✓	FDB1050			FDB799
E320 V6, E320TE	1997 - on	✓	FDB1050			FDB799
E320 V6, E320TE (ALTERNATE)	1997 - on	✓	FDB1050			FDB1322
E430, E430TE	1998 - 07/99		FDB646			FDB799

APPLICATION GUIDE

	YEAR	DS	FRONT PAD	FRONT DISC	ALT NO.	DS	REAR PAD/SHOE	REAR DISC	ALT NO.
E430, E430TE	08/99 - 02		FDB1001				FDB1322		
E430, E430TE (ALTERNATE)	08/99 - 02	✓	FDB1050				FDB1322		
E430, E430TE (ALTERNATE)	1998 - 07/99		FDB646				FDB1322		
E-CLASS (W211 SERIES)									
E200 KOMPRESSOR	02/04 - on		FDB1414				FDB1526		
E220 CDI	08/02 - on		FDB1414				FDB1526		
E240	08/02 - on		FDB1414				FDB1526	DDF1672-1	
E270 CDI	08/02 - on		FDB1414				FDB1526		
E280	2005 - on		FDB1414				FDB1526	DDF1672-1	
E320	2002 - on		FDB1661				FDB1809		
E320 CDI	2005 - on		FDB1661				FDB1526		
E350	2005 - on		FDB1661	DDF1595-1			FDB1526		
E500	2002 - on		FDB1661				FDB1526		
E55 AMG	11/02 - on		FDB1810				FDB1809	DDF1669-1	
E63 AMG	2006 - on		FDB1810				FDB1809	DDF1669-1	
GL SERIES									
G55 AMG	2006 - on								
GL320 CDI	2006 - on		FDB1830				FDB1831		
GL500	2006 - on		FDB1830				FDB1831		
M-CLASS (W163 SERIES)									
ML270 CDI	2000 - on		FDB1400				FDB1608		
ML270 CDI (ALTERNATE)	2000 - on		FDB1426				FDB1512		
ML320	1998 - on		FDB1400				FDB1401		
ML320 (ALTERNATE 1)	1998 - on		FDB1400				FDB1608		
ML320 (ALTERNATE 2)	1998 - on		FDB1426				FDB1512		
ML350 CDI	2005 - on								
ML350	2003 - on		FDB1426				FDB1512		
ML430	1999 - 02		FDB1426				FDB1512		
ML500	2001 - on		FDB1426				FDB1512		
ML55 AMG	2001 - on		FDB1426				FDB1512		
ML 63 AMG	2006 - on								
M-CLASS (W164 SERIES)									
ML320 CDI	2005 - on		FDB1830				FDB1831		
ML350	2005 - on		FDB1830				FDB1831		
ML500	2005 - on		FDB1830				FDB1831		
ML63 AMG	2006 - on		FDB1830				FDB1831		
S-CLASS (W140 SERIES)									
S280	1996 - 98		FDB800				FDB799		
S320	1994 - 09/98		FDB800				FDB799		
S420	1996 - 98		FDB800				FDB799		
S500	1994 - 09/98		FDB800				FDB799		
S600	1994 - 09/98		FDB800				FDB799		
S-CLASS (W220 SERIES)									
S320	10/98 - on		FDB1426				FDB1427	DDF1675-1	
S320 CDI	2002 - on		FDB1714				FDB1526	DDF1675-1	
S350	2002 - on		FDB1714				FDB1526	DDF1675-1	
S430	09/02 - on		FDB1714				FDB1526	DDF1675-1	
S430	10/98 - 09/02		FDB1426				FDB1427	DDF1675-1	
S500	09/02 - on		FDB1714				FDB1526	DDF1675-1	
S500	10/98 - 09/02		FDB1426				FDB1427	DDF1675-1	
S55 AMG	06/02 - on		FDB1661				FDB1526	DDF1675-1	

APPLICATION GUIDE

	YEAR	DS	FRONT PAD	FRONT DISC	ALT NO.	DS	REAR PAD/SHOE	REAR DISC	ALT NO.
S55 AMG	2001 - on		FDB1426				FDB1427	DDF1675-1	
S600	09/02 - on		FDB1714				FDB1526	DDF1675-1	
S600	10/98 - 09/02		FDB1426				FDB1427	DDF1675-1	
S-CLASS (W221 SERIES)									
S600L AMG	2006 - on		FDB1810				FDB1809		
S63 AMG	2007 - on		FDB1810				FDB1809		
S65 L AMG	2007 - on		FDB1810				FDB1809		
SL-CLASS (R129 SERIES)									
SL300	1993 - on		FDB646				FDB644		
SL320	1994 - 01		FDB1037				FDB644		
SL500	1993 - on		FDB646				FDB644		
SL500	1994 - on		FDB1037				FDB799		
SL600	1994 - 00		FDB1037				FDB799		
SL-CLASS (R230 SERIES)									
SL55 AMG	2002 - on		FDB1810				FDB1809		
SL65 AMG	2005 - on		FDB1810				FDB1809		
SLK SERIES (R170 ROADSTER SERIES)									
SLK200 & SLK200 COMPRESSOR	1996 - on	✓	FDB1049	DDF817-1	891		FDB1311		
SLK230 COMPRESSOR	1996 - 00	✓	FDB1049	DDF817-1	891		FDB1311		
SLK32 AMG	2001 - on		FDB1001				FDB799		
SLK320	2000 - on	✓	FDB1050				FDB1311		
SLK SERIES (R171 SERIES)									
SLK200 COMPRESSOR	2004 - on		FDB1428				FDB1311		
SLK350	2004 - on		FDB1661				FDB1311		
SLK55 AMG	2004 - on		FDB1661				FDB1809		
SMART									
600	09/02 - on		FDB1162				DRUM		
700	09/02 - on		FDB1162				DRUM		
FORFOUR 1.3, 1.5 (ALL MODELS)	2004 - on		FDB1738				FDB1095		
FORTWO (ALL MODELS)	2006 - on		FDB1162				N/A*		
ROADSTER ALL MODELS	12/03 - on		FDB1162				N/A		
W114/115 SERIES									
220, 220D, 230, 230/6	1968 - 1973		FDB11				FDB2	DDF003-1	147
230, 230/6	1973 - 1977		FDB143				FDB2	DDF003-1	147
280S, 280SE	1968 - 1973		FDB143				FDB2	DDF003-1	147
W116 SERIES									
280S, 280SE, 350SE	1973 - 1979		FDB143	DDF1351-1			FDB2	DDF003-1	147
280S, 280SE, 350SE	1980 - 1981		FDB243	DDF1351-1			FDB2	DDF003-1	147
W123 SERIES									
230, 230E, 250, 280E, 300D	1980 - 1986		FDB243	DDF071-1	146		FDB2	DDF003-1	147
230, 250, 280E, 300D	1977 - 1979		FDB143	DDF071-1	146		FDB2	DDF003-1	147
W126 SERIES									
280SE	1981 - 1987		FDB243	DDF143-1	774		FDB2	DDF003-1	147
300SE	1986 - 1992		FDB243				FDB2	DDF003-1	147
380SE	1981 - 1987		FDB243	DDF143-1	774		FDB2	DDF003-1	147
380SEC	1981 - 1985		FDB354				FDB2	DDF003-1	147
420SE	1986 - 1992		FDB243				FDB2	DDF003-1	147

APPLICATION GUIDE

	YEAR	DS	FRONT PAD	FRONT DISC	ALT NO.	DS	REAR PAD/SHOE	REAR DISC	ALT NO.
500SE	1989 - 1993		FDB243				FDB2	DDF003-1	147
500SEC	1981 - 1985		FDB354				FDB2	DDF003-1	147
560SE, 560SEC	1989 - 1993		FDB243				FDB2	DDF003-1	147
560SE, 560SEC (ALTERNATE)	1989 - 1993		FDB243				FDB645		

MERCEDES BENZ COMMERCIAL

GELANDEWAGEN

GELANDEWAGEN	1989 - on		FCV239						
--------------	-----------	--	--------	--	--	--	--	--	--

SPEEDLINER

SPEEDLINER	1989 - on		FCV501				MB118		
------------	-----------	--	--------	--	--	--	-------	--	--

SPRINTER

308D, 312D, 314D	1996 - on		FVR1038				FVR1045		
308D, 312D, 314D (ALTERNATE)	1996 - on		FVR1038				FVR1306		
309CDI HR	2006-on		FVR1778						
315CDI	2006-on		FVR1778						
318CDI	2006-on		FVR1778						
313CDI	2000 - on		FVR1038				FVR1306		
412D	1996 - on		FVR1043				FVR1043		
413CDI	2000 - on		FVR1043				FVR1043		
413D	2001 - on		FVR1043				FVR1043		
616D	2001 - on								

TFM SCOUT 4X2

TFM SCOUT 4X2	1989 - on		FCV239						
---------------	-----------	--	--------	--	--	--	--	--	--

TFM SCOUT 4X4

TFM SCOUT 4X4	1990 - on		FDB287						
---------------	-----------	--	--------	--	--	--	--	--	--

VITO

112 CDI 2.2	2002 - on		FDB1304				FDB1305		
115 CDI 2.2	2004 - on		FDB1493				FDB1494		
108CDi2.2/2.4	1998 - on		FDD1304				FDB1305		
110CDi2.2	1998 - on		FDB1304				FDB1305		
112CDi2.2	1998 - on		FDB1304				FDB1305		
114 2.3i	1998 - on		FDB1304				FDB1305		

MG

MG 1100

MG 1100	1965 - 69		FDB885				736		
---------	-----------	--	--------	--	--	--	-----	--	--

MG TF 120

MG TF 120	2002 - on						FDB917		
-----------	-----------	--	--	--	--	--	--------	--	--

MG TF 135

MG TF 135	2002 - on						FDB917		
-----------	-----------	--	--	--	--	--	--------	--	--

MG TF 155

MG TF 155	2002 - on		FDB603				FDB917		
-----------	-----------	--	--------	--	--	--	--------	--	--

MG TF 160

MG TF 160	2002 - on						FDB917		
-----------	-----------	--	--	--	--	--	--------	--	--

APPLICATION GUIDE

YEAR

DS

FRONT
PAD

FRONT
DISC

ALT
NO.

DS

REAR
PAD/SHOE

REAR
DISC

ALT
NO.

MG ZR 120

MG ZR 120 10/03 - on FDB613 FDB621

MG ZR 160

MG ZR 160 10/03 - on FDB1439 FDB621

MG ZR 2.0TD

MG ZR 2.0TD 10/03 - on FDB613 FDB621

MG ZT 160

MG ZT 160 03/04 - on FDB1355 ✓ FDB1301

MG ZT 190

MG ZT 190 2003 - on FDB1355 ✓ FDB1301

MG ZT 260

MG ZT 260 08/04 - on

MGB

MGB 1966 - 72 FDB823 818

MGF 1.8L WC

MGF 1.8L WC 2001 - on FDB613 FDB917

mitsubishi

LANCER

1.6 GLX 08/02 - on FDB1968 PD1037

2.0 EVO VIII 2004 - on FDB1968

2.0 EVO IX 2004 - on TBA PD1037

OUTLANDER

2.4 GLX 07/03 - on ✓ FDB765 PD1037

PAJERO

1.6 10 1999 - on FDB1596

1.8 10 1999 - on FDB1596

2.0 10 03/02 - on FDB1596

2.6 4X4 1989 - 91 FDB556 DDF460-1 762 FDB1010

2.6 4X4 (ALTERNATE) 1989 - 91 FDB556 DDF460-1 762 507

2.6 4X4 04/91 - 94 ✓ FDB765 DDF1109-1 378 FDB804

2.8 TD 1995 - 99 ✓ FDB765 DDF1109-1 378 FDB804

2.8 TDI 1997 - 99 ✓ FDB765 DDF1109-1 378 FDB804

3.0 GLS 1994 - 97 ✓ FDB765 DDF1109-1 378 FDB804

3.5 GLS 1995 - 99 ✓ FDB765 DDF1109-1 378 FDB804

3.0 GLX 1997 - 01 ✓ FDB765 DDF1109-1 378 FDB804

3200 (ALL MODELS) 05/00 - on MX867 FDB1604

3500 (ALL MODELS) 05/00 - on MX867 FDB1604

3.8 GLS 2004 - on MX867 FDB1604

3.8 LWB , SWB 03/04 - on

SHOGUN

ALL MODELS 1994 - on ✓ FDB765 DDF1109-1 378 FDB804

SPACEGEAR

2.4 GLX MPV 1996 - 99 FDB1422 DDF1685-1 FDB804

APPLICATION GUIDE

YEAR

DS

FRONT
PAD

FRONT
DISC

ALT
NO.

DS

REAR
PAD/SHOE

REAR
DISC

ALT
NO.

TREDIA

TREDIA 1.4, 1.6 & 1.8 - IMPORTED CALIPER	1983 - 86	FDB319			518
TREDIA 1.4, 1.6 & 1.8 - LOCAL CALIPER	1983 - 86	FDB357			518
TREDIA 1800 TURBO & VORTEX	1984 - 86	FDB368			518

MITSUBISHI COMMERCIAL

1800 P/V & DS

1800 P/V & DS	1983 - on	FDB297			819
---------------	-----------	--------	--	--	-----

COLT PICK UP

1600 (ALL MODELS)	1995 - 97	FDB556	DDF459-1	761	819
2000 (ALL MODELS)	1995 - 98	FDB556	DDF459-1	761	819
2000I & 2.0I (ALL MODELS)	09/98 - on	FDB486			819
2400I LWB 4X4	1998 - on	FDB486			819
2400I LWB, HI-LINE	1998 - on	FDB486			819
2400I & 2.4I (ALL MODELS) - WITH ABS	04/01 - on	FDB765			N/A
2500D LWB	1995 - 1998	FDB556	DDF459-1	761	819
2500D LWB, HI-LINE	1998 - 1999	FDB486			819
2500TD 4X4	1997 - 1998	FDB556	DDF460-1	762	819
2600 LWB, HI-LINE	1995 - 1998	FDB556	DDF459-1	761	819
2.8 D & 2.8 TDI 4X2 (ALL MODELS)	06/99 - on	FDB486			819
2.8 D & 2.8 TDI 4X4 (ALL MODELS) - WITH ABS	04/01 - on	FDB765			N/A
3000 (ALL MODELS)	1995 - 97	FDB556	DDF460-1	762	819
3000I 4X4 D/CAB RODEO	09/98 - on	FDB486			819
3000I 4X4 D/CAB RODEO - WITH ABS	04/01 - on	FDB765			N/A

L300 SERIES

1600 CANTER MINI BUS & PANEL VAN	1982 - 85	FDB170	DDF349-1	320	507
1800 COMFORT WAGON & STAR WAGON	1983 - 87	FDB170	DDF349-1	320	819
2.0 PICK-UP	1987 - 01	FDB170	DDF349-1	320	819
2.0 SPACESTAR MINI BUS	1995 - 99	FDB170	DDF349-1	320	819
2.0 STARWAGON MINI BUS & PANEL VAN	1987 - 95	FDB170	DDF349-1	320	819

TRITON

2.4 MPI	2007 - on	FDB4023			
2.5 DI-DC 4X4	2007 - on	FDB4023			
3.2 DI-D	2007 - on	FDB4023			
3.5 V6	2007 - on	FDB4023			

NISSAN (DATSUN)

120 & 1200 SERIES

120 & 1200GX	1972 - 75	FDB39			732
120Y, DL & SDX	1975 - 80	FDB39			732

140 SERIES

ALL MODELS	1975 - 80	FD535			761
------------	-----------	-------	--	--	-----

160 & 1600 SERIES

1600 & 1600 SSS - LOCAL	1969 - 73	FD535			761
1600 & 1600 SSS - IMPORTED	1969 - 73	FDB33			405
160U - ALL MODELS	1974 - 78	FD535			761
1600 - ALL MODELS	1978 - 80	FD558			778
160Y	1978 - 80	FD535			761
160Z	1978 - 80	FD558			778

APPLICATION GUIDE

YEAR

DS

FRONT
PAD

FRONT
DISC

ALT
NO.

DS

REAR
PAD/SHOE

REAR
DISC

ALT
NO.

180 & 1800 SERIES

180U - ALL MODELS	1974 - 78	FD535				778
1800 - ALL MODELS	1978 - 80	FD558				761

200 - 350 SERIES

200L & 280 SERIES	1978 - 80	FD558				778
200 SX	1991 - 94	FDB691				FDB795
200 SX	1995 - 98	FDB1433				FDB484
240C	1995 - 98	FDB886				429
240C, 260C & 300C	1973 - 78	FD558				
280L	1983 - on	FDB374				
280ZX	1980 - 85	FDB215				FDB228
300 ZX 24V V6	04/90 - 96	FDB986	✓			FDB946
300ZX	09/87 - 03/90	FDB522				FDB284
350Z	01/04 - on	FDB1561			✓	FDB1562
370Z	01/09 - on	FDB4284				

2300 & 2400 SERIES

2300 & 2400	1969 - 72	FDB908				428/429
-------------	-----------	--------	--	--	--	---------

ALMERA

160 (ALL MODELS)	2001 - on	FDB1465				633
160 COMFORT (FACE LIFT)	06/03 - on	FDB1465				FDB796
180 5 DOOR HATCH	2001 - on	FDB1096				FDB707
180 ELEGANCE	2001 - on	FDB1096				FDB796
180 LUX	2001 - on	FDB1465				633

EXA

EXA 1500	1983 - 87	FDB373				711
----------	-----------	--------	--	--	--	-----

LANGLEY

ALL MODELS - IMPORTED CALIPER	1983 - 87	FDB293	DDF064-1	729		528
ALL MODELS - LOCAL CALIPER	1983 - 88	FDB373	DDF064-1	729		711
ALL MODELS - ALTERNATE FRONT DISC	1983 - 1988		DDF1342-1	346		

LAUREL

2.0 & 2.8	1980 - 87	FDB374				794/778
2.0 & 2.8 - 1ST ALTERNATIVE	1980 - 87	FDB225				794/778
2.0 & 2.8 - 2ND ALTERNATIVE	1980 - 87	FD558				794/778

LIVINA

ALL MODELS	2007 - on	FDB1965				
------------	-----------	---------	--	--	--	--

MAXIMA

2.0 QX	1997 - 00	FDB691	DDF1341-1	380		FDB1104
2.0 QX (ALTERNATE)	1997 - 00	FDB1646	DDF1341-1	380		FDB1104
2.0 QX	2000 - on	FDB1559	DDF1341-1	380		FDB1104
3.0E, SE	1991 - 97	FDB755	DDF1341-1	380		FDB756
3.0 QX	1996 - 00	FDB691	DDF1341-1	380		FDB1104
3.0 QX (ALTERNATE)	1996 - 00	FDB1646	DDF1341-1	380		FDB1104
3.0 QX	2000 - on	FDB1559	DDF1341-1	380		FDB1104

MICRA

1.4I	07/04 - on	FDB1617				
1.5 DCI	2005 - on	FDB1617				

APPLICATION GUIDE

YEAR

DS

FRONT
PAD

FRONT
DISC

ALT
NO.

DS

REAR
PAD/SHOE

REAR
DISC

ALT
NO.

MURANO

3.5I V6	2006 - on	FDB1881				FDB1693		
---------	-----------	---------	--	--	--	---------	--	--

NAVARA

2.5 DCI	2005 - on	FDB1997						
4.0i (ALL MODELS)	2005 - on	FDB1997						
2.5 Dci , 4.0i (WITH REAR DISCS)	2005 - on	FDB1997				FDB1882		

PATHFINDER

2.5D, 2.5 DCI	2005 - on	FDB1881				FDB1882		
4.0	2005 - on	FDB1881				FDB1882		

PRIMERA

1.60 SI	1998 - 00	FDB604						
200 SI	1998 - 00	FDB604				FDB707		
200 SI (ALTERNATE)	1998 - 00	FDB1096	DDF1347-1	931		FDB707		
200 GSI, STI	1998 - 02	FDB1096	DDF1347-1	931		FDB707		
2.0 LUXURY & ELEGANCE	2001 - 02	FDB1096	DDF1347-1	931		FDB707		

PULSAR

DL, GX, 1500 & PANACHE	1980 - 87	FDB258						
1300S & 1500 GL	1983 - 87	FDB373	DDF064-1	729		711		
1300S & 1500 GL (ALTERNATE DISC)	1983 - 1987		DDF1342-1	346				

QASHQAI

1.5 ALL MODELS	02/07 -on	FDB4051	DDF1589-1			FDB1693	DDF1590-1	
1.6 ALL MOELS	02/07 -on	FDB4051	DDF1589-1			FDB1693	DDF1590-1	
2.0 ALL	02/07 -on	FDB4051	DDF1589-1			FDB1693	DDF1590-1	

SENTRA

1.3	1987 - 92	FDB373				711		
ALL MODELS EXCEPT 1.6 GXEI & 1.8I 16V	1987 - 92	FDB373	DDF064-1	729		711		
ALL EXCEPT 1.6 GXEI & 1.8I 16V (ALTERNATE DISC)	1987 - 1992	FDB373	DDF1342-1	346		711		
ALL MODELS EXCEPT 200 STI	1992 - 07/97	FDB763	DDF227-1	286		551		
ALL MODELS EXCEPT 200 STI & 200 GSI	08/97 - 02	FDB373	DDF227-1	286		551		
1.6 GXEI	1987 - 92	FDB373				FDB1026		
1.8I 16V SEDAN & COUPE	1989 - 92	FDB373				FDB1026		
200 GSI	08/97 - 01	FDB788	DDF716-1	375		FDB796	DDF674-1	376
200 STI	1992 - 02	FDB788	DDF716-1	375		FDB796	DDF674-1	376

SENTRA SABRE

1.60 GX, GXI	1994 - 07/97	FDB763	DDF227-1	286		551		
1.60 GXI	08/97 - 99	FDB373	DDF227-1	286		551		
200 GXI	1994 - 97	FDB788	DDF716-1	375		FDB796	DDF674-1	376
200 GSI	08/97 - 00	FDB788	DDF716-1	375		FDB796	DDF674-1	376

SKYLINE

1.8 & 2.0	1982 - 87	FDB374				794/778		
2.0 GL, GLE	1987 - 89	FDB486				519		
2.0 SGLI	1989 - 92	FDB486				FDB618		
2.8 GLX & GTX	1982 - 87	FDB374				FDB284		
3.0 SGLI	1989 - 92	FDB486				FDB618		

STANZA

ALL MODELS	1980 - 84	FD558				778		
------------	-----------	-------	--	--	--	-----	--	--

APPLICATION GUIDE

YEAR

DS

FRONT
PAD

FRONT
DISC

ALT
NO.

DS

REAR
PAD/SHOE

REAR
DISC

ALT
NO.

TERRANO II

2.7 TDI (WITH REAR DISCS)	1998 - on	FDB909			FDB1029
2.7 TDI (WITH REAR DRUMS)	1998 - on	FDB909			
3.0 DI	11/02 - on	FDB909			

TIIDA

1.6, 1.8 (ALL MODELS)	2006 - on	FDB1965			
1.6 1.8, 1.5cdi	2007 - on	FDB4148			

X-TRAIL

ALL MODELS	2001 - on	FDB1263			FDB1693
2.0 ALL MODELS	2007 - on	FDB4051	DDF1589-1		FDB1693
2.5 ALL MODELS	2007 - on	FDB4051	DDF1589-1		FDB1693

NISSAN COMMERCIAL

1 /2 TONNER

NP200 ALL MODELS	2008 - on	FDB1376			
------------------	-----------	---------	--	--	--

120Y - 140Y

120Y PANEL VAN	1976 - 80	FDB39			
140Y P/ UP	1980 - 85	FD535			

1400

1400 PANEL VAN	1980 - 83	FD535			761
1400 P/ UP	1980 - 85	FD535			761
1400 P/ UP	1986 - 87	FDB473	DDF1322-1	245	732
1400 P/ UP	1988 - on	FDB373	DDF1322-1	245	732

1800 4X4 & TRACKER - IMPORTED CALIPER

1800 4X4 & TRACKER - IMPORTED CALIPER	1980 - 83	FDB169	DDF590-1	227	512
---------------------------------------	-----------	--------	----------	-----	-----

1800 4X4 & TRACKER - LOCAL CALIPER

1800 4X4 & TRACKER - LOCAL CALIPER	1983 - 86	FDB340	DDF590-1	227	533
------------------------------------	-----------	--------	----------	-----	-----

2200 IMPORTED CALIPER

2200 IMPORTED CALIPER	1983 - 88	FDB169	DDF590-1	227	819
-----------------------	-----------	--------	----------	-----	-----

2200 LOCAL CALIPER

2200 LOCAL CALIPER	1983 - 88	FDB340	DDF590-1	227	819
--------------------	-----------	--------	----------	-----	-----

2300

2300	1985 - 88	FDB340			819
------	-----------	--------	--	--	-----

1 TONNER & 1 TONNER HARDBODY SERIES

1600	1988 - 99	FDB710	DDF1320-1	374	819
1800	1988 - 95	FDB710	DDF1320-1	374	819
2000 4X2 (ALL MODELS)	1995 - 02	FDB710	DDF1324-1	234	819
2400 4X2 (ALL MODELS EXCEPT HI-RIDER)	1988 - 99	FDB710	DDF1354-1	234	819
2400 4X2 HI-RIDER & HI-RIDER SANI	1990 - 99	FDB652			819
2400 4X4 (ALL MODELS INCLUDING SANI)	1990 - 99	FDB652	DDF1354-1	234	819
2500 DIESEL	1988 - 96	FDB710	DDF1320-1	374	819
2500 4X2 HI-RIDER	1990 - 97	FDB652	DDF1324-1	374	819
2700 4X2 (ALL MODELS EXCEPT HI-RIDER)	1995 - 02	FDB710			819
2700 4X2 HI-RIDER	1995 - on	FDB652			819
2700 4X4 (ALL MODELS)	1990 - on	FDB652			819
2700TD 4X2	1995 - 1999	FDB710			819

APPLICATION GUIDE

	YEAR	DS	FRONT PAD	FRONT DISC	ALT NO.	DS	REAR PAD/SHOE	REAR DISC	ALT NO.
2700TD 4X4	1995 - 1999		FDB652				819		
3000 4X2 & 4X4 (ALL MODELS)	1990 - 99		FDB652	DDF1354-1	382		819		
3000TD	2002 - on								
NP200 HARD BODY (ALL MODELS)	2008 - on		FDB486						
NP300 HARD BODY (ALL MODELS)	2008 - on		FDB652						
2.0 4X2 (ALL MODELS)	05/99 - 02/02		FDB652	DDF1324-1	374		819		
2.0i (ALL MODELS)	03/02 - on		FDB710				N/A		
2.4i 4X2, 4X4 (ALL MODELS)	05/99 - 02/02		FDB652	DDF1324-1	374		819		
2.4i ALL MODELS	03/02 - on		FDB652						
2.7D 4X2	05/99 - 02/02		FDB652	DDF1324-1	374		819		
2.7D	03/02 - on		FDB486						
2.7TD	2002 - on		FDB486						
3.0i 4X2, 4X4 (ALL MODELS)	05/99 - on		FDB652	DDF1324-1	374		819		
3.2D 4X2, 4X4 (ALL MODELS)	05/99 - on		FDB652	DDF1324-1	374		819		
3.3 4X2, 4X4 (ALL MODELS)	03/02 - on		FDB652						
E20									
E20 MINI - BUS & PANEL VAN (ALL MODELS)	1984 - 95		FDB215	DDF590-1	227		819		
INTERSTAR									
2.5 DCI HR, SR	2006 - on		FVR1452				FVR1453		
PATROL									
3.0 V6 4X4	1990 - on		FDB652	DDF218-1	384		553		
3.0 DI (ALL MODELS)	2000 - on		FDB1577						
4.2 4X4 S/WAGON	1994 - 01		FDB1016				FDB937		
4.2 D GL	1998 - on		FDB1577						
4.5 E GL, GRX 4X4 S/WAGON	1998 - 00		FDB1577						
4.5 GL, GRX (ALL MODELS)	2000 - 02		FDB1577						
4.8 GRX 4X4	10/02 - on								
PRIMASTAR									
1.9 DCI 100	2007 - on		FVR1515				FVR1516	DDF1623-1	
SAFARI									
SAFARI 4X4	1982 - 90		FDB643	DDF218-1	384		512		
SANI									
2400	1992 - on		FDB652	DDF1354-1	382		819		
2700 DT	1992 - on		FDB652	DDF1354-1	282		819		
3000	1992 - on		FDB652	DDF464-1	383		819		
OPEL									
ASCONA									
1.3 L	1982 - 1985	✓	FDB173	DDF116-1	338		516		
1.6, 1.8 (EXCLUDING 1.8 GSI)	1982 - 1987	✓	FDB173	DDF116-1	338		523		
1.8 GSI	1984 - 1987	✓	FDB173	DDF151-1	806		523		
ASCONA - CHEVROLET	1978 - 82		FD558						
ASTRA									
140; 160i; 160IS	1993 - 98		FDB966	DDF151-1	806		557		
1.6 CD, CDE & CS	10/99 - on	✓	FDB1293				623		
1.6 CD, CDE & CS (WITH REAR DISCS)	2003 - on	✓	FDB1293				FDB1521		
160IE; 180i; 200i; 200IE	06/93 - 06/93	✓	FDB584	DDF206-1	771	✓	FDB586		
160IE; 180i; 200i; 200IE	07/93 - 98		FDB965	DDF206-1	771	✓	FDB586		

APPLICATION GUIDE

	YEAR	DS	FRONT PAD	FRONT DISC	ALT NO.	DS	REAR PAD/SHOE	REAR DISC	ALT NO.
160I ESTATE	1994 - 98		FDB965	DDF206-1	771		557		
1.8 CDE, CSE & CARAVAN	10/99 - 06/01	✓	FDB1293			✓	FDB1294		
1.8 CDE, CSE & CARAVAN (TRW-LUCAS REAR CALIPER)	07/01 - on	✓	FDB1293				FDB1521		
2.0 CDX & CSX	10/99 - 06/01	✓	FDB1295			✓	FDB1294		
2.0 CDX & CSX (TRW-LUCAS REAR CALIPER)	07/01 - on	✓	FDB1295				FDB1521		
2.0 OPC	02/04 - on		FDB1535				FDB1521		
2.0 TURBO COUPE	2001 - on		FDB1535				FDB1521		
2.2 EXECUTIVE	04/02 - on	✓	FDB1295				FDB1521		
2001 ESTATE	1996 - 98		FDB965	DDF206-1	771	✓	FDB586	DDF331-1	805
2005 TURBO	1993 - 96		FDB901			✓	FDB586		
ASTRA EURO									
160I	1998 - 2000		FDB966	DDF151-1	806		557		
160I ESTATE	1998 - 2000		FDB965	DDF206-1	771		557		
200I	1998 - 2000		FDB966	DDF206-1	771		557		
200I ESTATE	1998 - 2000		FDB965	DDF206-1	771	✓	FDB586	DDF242-1	
200IE, 200I SE	06/98 - 00		FDB965	DDF206-1	771	✓	FDB586	DDF331-1	805
ASTRA III									
1.4	2006 - on		FDB1640				FDB1521		
1.6 (ALL MODELS)	10/04 - on		FDB1640				FDB1521		
1.8 ENJOY & SPORT	2004 - on		FDB1640				FDB1521		
1.9 CDTI ENJOY	2006 - on		FDB1640				FDB1521		
2.0 TURBO OPC	2006 - on		FDB1640				FDB1521		
2.0 TURBO SPORT	2006 - on		FDB1640				FDB1521		
GTC 1.8 (ALL MODELS)	2006 - on		FDB1520				FDB1521		
GTC 1.9 CDTI (ALL MODELS)	2006 - on		FDB1520				FDB1521		
GTC 2.0 TURBO (ALL MODELS)	2006 - on		FDB1520				FDB1521		
TWINTOP 1,8	2006 - on		FDB1640				FDB1521		
TWINTOP 2.0 T SPORT	2006 - on		FDB1640				FDB1521		
CALIBRA									
CALIBRA 200I	1992 - 97	✓	FDB584	DDF206-1	771	✓	FDB586		
CALIBRA 200I TURBO	1992 - 97		FDB901			✓	FDB586		
COMMODORE									
COMMODORE 2.8	1982 - 83		FD558				793		
COMMODORE 3.0	1985 - 89		FD558				FDB2		
COMMODORE 3.0 - ALTERNATE	1985 - 89		FD558				FD535		
CORSA									
130I LITE	1996 - 01		FDB966	DDF151-1	806		571		
130I, 130IS	1996 - 01		FDB966	DDF151-1	806		571		
130IE	1997 - 00		FDB966	DDF151-1	806		571		
140I	2000 - 02		FDB966	DDF151-1	806		557		
140I LITE	2000 - 02		FDB966	DDF151-1	806		557		
1.4I ACTIVE	2002 - 04		FDB966	DDF151-1	806		557		
1.4I CD	2001 - 04		FDB966	DDF151-1	806		557		
1.4I CHILL LTD	2002 - 04		FDB966	DDF151-1	806		557		
1.4I, IS	2000 - 04		FDB966	DDF151-1	806		557		
1.4 IS - ALTERNATE	2003 - on		FDB732				557		
1.4I LITE, LITE PLUS	2001 - 2005		FDB966	DDF151-1	806		557		
1.4I LITE SPORT	2003 - on		FDB732				557		
1.4I LITE (ALL MODELS)	2006 - on		FDB732				557		
160I, 160IS	1998 - 04		FDB966	DDF151-1	806		557		
160 GSI	1999 - 02		FDB966	DDF151-1	806		557		

APPLICATION GUIDE

	YEAR	DS	FRONT PAD	FRONT DISC	ALT NO.	DS	REAR PAD/SHOE	REAR DISC	ALT NO.
160IE	1999 - 02		FDB966	DDF151-1	806		557		
1.6I CD, CDE, CDX	2000 - 04		FDB966	DDF151-1	806		557		
CORSA II									
1.4 CLASSIC & HATCH (ALL MODELS)	10/02 - on		FDB1424				DRUM		
1.6 CLASSIC & HATCH (ALL MODELS)	10/02 - on		FDB1424				DRUM		
1.7DTI CLASSIC (ALL MODELS)	2002 - 2005		FDB1424				DRUM		
1.7 CDTi (ALL MODELS)	2005 - on		FDB1640				N/A*		
1.8 CLASSIC EXECUTIVE	10/02 - on		FDB1424				DRUM		
1.8 GSI HATCH	10/02 - on		FDB1424				DRUM		
CORSA D									
1.0 ALL MODELS (75 HP)	2009 - on		FDB1920				FDB1922	DDF1651-1	
1.2 ALL MODELS (75 HP)	2009 - on		FDB1920				FDB1922	DDF1651-1	
1.3 ALL MODELS (75 HP)	2009 - on		FDB1920				FDB1922	DDF1651-1	
1.3 CDTi (90 HP)	2009 - on		FDB1919				FDB1922	DDF1651-1	
1.7 CDTi	2009 - on		FDB1921	DDF1644-1			FDB1922	DDF1651-1	
KADETT									
KADETT - MODELS WITH DISCS	1966 - 67		FDB3				394		
KADETT	1967 - 73		FDB3				394		
KADETT- ALL MODELS EXCEPT GTE	1980 - 85		FDB128	DDF116-1	338		491		
KADETT CUB	1988 - 89	✓	FDB173	DDF151-1	806		523		
KADETT T CAR	1985 - 89	✓	FDB173	DDF151-1	806		523		
KADETT CUB 140 & 160	1990 - 93		FDB206	DDF151-1	806		523		
KADETT 140; 160I	1993 - 1999		FDB966	DDF151-1	806		557		
KADETT 160IS	1993 - 1999		FDB965	DDF151-1	806		557		
KADETT 1.8 GTE	1984 - 85	✓	FDB173	DDF151-1	806		523		
KADETT 1.8I	1990 - 93		FDB206	DDF206-1	771	✓	FDB586	DDF331-1	805
KADETT 2.0 GSI	1987 - 89	✓	FDB173	DDF206-1	771		523		
KADETT 2.0 GSI	1990 - 93		FDB206	DDF206-1	771	✓	FDB586		
KADETT 2.0 GSI 16V	1990 - 93	✓	FDB584	DDF206-1	771	✓	FDB586	DDF242-1	
KADETT 200I CD 16V	1991 - 93	✓	FDB584	DDF206-1	771	✓	FDB586	DDF242-1	805
KADETT 200IS	07/93 - 99		FDB965	DDF206-1	771	✓	FDB586	DDF331-1	805
KADETT 200IS	1993 - 1993	✓	FDB584	DDF206-1	771	✓	FDB586	DDF331-1	805
KADETT 200S TURBO	1993 - 97		FDB901			✓	FDB586		
KADETT EURO									
160I	06/98 - 00		FDB966	DDF151-1	806		557		
200IS	06/98 - 00		FDB965	DDF206-1	771	✓	FDB586	DDF331-1	805
200ISE	06/98 - 00		FDB965	DDF206-1	771	✓	FDB586	DDF331-1	805
MANTA									
MANTA 1600 & 1900	1971 - 76		FDB2				393		
MERIVA									
MERIVA 1.4	2006 - on		FDB1640				FDB1521		
MERIVA 1.6	09/03 - on		FDB1640				FDB1521		
MERIVA 1.7 CDTi	2005 - on		FDB1640				FDB1521		
MERIVA 1.8	09/04 - on		FDB1640				FDB1521		
MONZA									
ALL MODELS	1986 - 89	✓	FDB173	DDF116-1	338		523		
MONZA 160, 180 & 200	1990 - 93		FDB206	DDF151-1	806		523		
MONZA 160 GSI	1990 - 1993	✓	FDB584	DDF151-1	806	✓	FDB586		
2.0 CLI, GLI	1990 - 1993	✓	FDB584	DDF206-1	771		523		
MONZA 2.0 CD, CLI 16V	1990 - 1993	✓	FDB584	DDF206-1	771	✓	FDB586	DDF331-1	805

APPLICATION GUIDE

YEAR

DS

FRONT
PAD

FRONT
DISC

ALT
NO.

DS

REAR
PAD/SHOE

REAR
DISC

ALT
NO.

OMEGA

2.2	2001 - on	FDB686			FDB973
2.6	2001 - on	FDB686			FDB973

REKORD

REKORD COUPÉ	1967 - 71	FDB2			393
REKORD SIX	1968 - 69	FDB2			393
REKORD - ALL MODELS	1982 - 91	FD558			793
REKORD 200I	1991 - 95	FDB486			793
REKORD 380I; GSI V6 & 380ICD V6	1991 - 95	FDB486			FDB525

SENATOR

SENATOR 3.0	1982 - 86	FD558			FDB2
SENATOR 3.0	1982 - 86	FD558			FD535

TIGRA

1.4 ENJOY	2005 - on	FDB1424			FDB1472
1.8 SPORT	2005 - on	FDB1424			FDB1472

ZAFIRA

1.6 ESSENTIA	2006 - on	✓	FDB1295		FDB1521
1.6 ESSENTIA - ALTERNATE	2006 - on		FDB1640		FDB1521
1.8	2001 - 2004	✓	FDB1295		FDB1521
1.8 ELEGANCE	2003 - 2005	✓	FDB1295		FDB1521
1.8 ELEGANCE	2005 - on		FDB1640		FDB1521
1.8 ENJOY (ALL MODELS)	2006 - on		FDB1640		FDB1521
1.8 ENJOY (ALL MODELS) - ALTERNATE	2006 - on	✓	FDB1295		FDB1521
1.9CDTI (ALL MODELS)	2006 - on		FDB1640		FDB1521
2.0 OPC	2007 - on		FDB1640		FDB1521
2.0T OPC	2005 - on		FDB1640		FDB1521
2.2I (ALL MODELS)	2004 - on		FDB1640		FDB1521

OPEL COMMERCIAL

COMBO

1.4 PANEL VAN	2004 - on	FDB1424			
---------------	-----------	---------	--	--	--

CORSA

CORSA PRONTO 130I P/UP	1998 - 02	FDB966	DDF151-1	806	571
CORSA PANEL VAN 130I	1998 - 01	FDB966	DDF151-1	806	571
CORSA UTILITY 130I,	1997 - 02	FDB966	DDF151-1	806	571
CORSA UTILITY 140I	00 - 08/04	FDB966	DDF151-1	806	557
CORSA UTILITY 1.4I , 1.4IS	08/04 - on	FDB1424			DRUM
CORSA UTILITY 1.4 (ALTERNATE)	2006 - on	FDB732			
CORSA UTILITY 1.4 SPORT (ALT.)	2006 - on	FDB732			N/A*
CORSA UTILITY 160I	1997 - 03	FDB966	DDF151-1	806	557
CORSA UTILITY 160IS	98 - 08/04	FDB966	DDF151-1	806	557
CORSA UTILITY 1.6I	08/04 - on	FDB1424			
CORSA UTILITY 1.7DTI , DTIS	08/04 - on	FDB1424			DRUM
CORSA UTILITY 170D	98 - 08/04	FDB966	DDF151-1	806	557
CORSA UTILITY 1.7D, DTI (ALTERNATE)	2006 - on	FDB732			
CORSA UTILITY 1.7 CDTI	2006 - on	FDB1424			
CORSA UTILITY 1.8 (ALL MODELS)	2005 - on	FDB1424			

MOVANO

2.5 CDTI (ALL MODELS)	2006 - on	FVR1452			FVR1453
-------------------------	-----------	---------	--	--	---------

APPLICATION GUIDE

YEAR

DS

FRONT
PAD

FRONT
DISC

ALT
NO.

DS

REAR
PAD/SHOE

REAR
DISC

ALT
NO.

VIVARO

1.9 CDTI BASE PANEL VAN	2007 - on		FVR1515			FVR1516	DDF1623-1
1.9 CDTI HIGH OPULENCE PANEL VAN	2007 - on		FVR1452			FVR1453	DDF1623-1
1.9 CDTI H/O PANEL VAN - ALTERNATE	2007 - on		FVR1515			FVR1516	
2.0 BASE PANEL VAN	2006 - on		FVR1452			FVR1453	
2.0 BASE PANEL VAN - ALTERNATE	2006 - on		FVR1515			FVR1516	
2.0 HIGH OPULENCE PANEL VAN	2006 - on		FVR1452			FVR1453	
2.0 H/O PANEL VAN - ALTERNATE	2006 - on		FVR1515			FVR1516	

PEUGEOT

107							
1.0	2006 - on		FDB1790				

204							
204	1966 - 70		FD538			DRUM	

206							
XR 1.4	2001 - on		FDB1378				
1.4 POP-ART	2004 - on		FDB1378				
1.4 HDI X-LINE	2005 - on		FDB1378				
1.4 HDI XS LINE	2006 - on		FDB1378				
1.4 XS LINE	2006 - on		FDB1378				
1.6 CC CH. NO. 08778-09078	2001 - on		FDB1599		✓	FDB558	
1.6 CC FROM CH. NO. 09079	2001 - on		FDB1399		✓	FDB558	
1.6 CC TO CH. NO. 08777	2001 - on	✓	FDB1370		✓	FDB558	
XT 1.6 CH. NO. 08778-09078	2001 - on		FDB1599		✓	FDB558	
XT 1.6 FROM CH. NO. 09079	2001 - on	✓	FDB1399		✓	FDB558	
XT 1.6 TO CH. NO. 08777	2001 - on	✓	FDB1370		✓	FDB558	
XS 1.6 S/W	2003 - on	✓	FDB1399		✓	FDB558	
1.6 XS LINE	2006 - on	✓	FDB1399		✓	FDB558	
2.0 CC CH. NO. 08778-09078	2001 - on		FDB1599		✓	FDB558	
2.0 CC FROM CH. NO. 09079	2001 - on	✓	FDB1399		✓	FDB558	
2.0 CC TO CH. NO. 08777	2001 - on	✓	FDB1370		✓	FDB558	
2.0 HDI	2004 - on		FDB1399		✓	FDB558	
XT 2.0 HDI	2004 - on		FDB1399		✓	FDB558	
COUPE 1.6	2001 - on		FDB1135		✓	FDB558	
COUPE 2.0	2001 - on		FDB1135		✓	FDB558	
COUPE 2.0 (ALTERNATE)	2001 - on	✓	FDB1370		✓	FDB558	
GTI 180 2.0 16V	10/03 - on		FDB1476		✓	FDB558	
GTI 2.0 CH. NO. 08778-09078	2000 - on		FDB1599		✓	FDB558	
GTI 2.0 FROM CH. NO. 09079	2000 - on	✓	FDB1399		✓	FDB558	
GTI 2.0 TO CH. NO. 08777	2000 - on	✓	FDB1370		✓	FDB558	

207							
1.4 X-LINE	2006 - on	✓	FDB1399				
XR 1.4 HDI	2006 - on	✓	FDB1399				
XS 1.6	2006 - on		FDB1476			FDB1784	
XS 1.6 HDI	2006 - on		FDB1476			FDB1784	

304 - 305							
304	1970 - 71		FD535				
305	1979 - 84		FDB130				

306							
306 1.8 CABRIOLET	1996 - 03/97		FDB393		✓	FDB558	
306 1.8 CABRIOLET (ALTERNATE)	1996 - 03/97		FDB876		✓	FDB558	

APPLICATION GUIDE

	YEAR	DS	FRONT PAD	FRONT DISC	ALT NO.	DS	REAR PAD/SHOE	REAR DISC	ALT NO.
306 1.8 CABRIOLET	04/97 - on		FDB1168			✓	FDB558		
306 GTI 2.0 - FROM CHASSIS NO. S 32 000 001 >	1998 - on	✓	FDB1063			✓	FDB558		
306 GTI 2.0 - TO CHASSIS NO. S 32 000 000	1998 - on		FDB999			✓	FDB558		
306 S16 2.0 - FROM CHASSIS NO. S 32 000 001 >	1998 - 99		FDB1112			✓	FDB558		
306 S16 2.0 - TO CHASSIS NO. S 32 000 000	1998 - 99		FDB999			✓	FDB558		
306 XSI 2.0 - FROM CHASSIS NO. S 32 000 001 >	1996 - 00		FDB1112			✓	FDB558		
306 XSI 2.0 - TO CHASSIS NO. S 32 000 000	1996 - 00		FDB999			✓	FDB558		
306XR 1.6, 1.8 (ALL MODELS)	1998 - 01		FDB1168			✓	FDB558		
306XR 1.6, 1.8 - FROM CHASSIS NO. S 32 000 001 >	1999 - 01		FDB1112			✓	FDB558		
306XR 1.6, 1.8 - FROM CHASSIS NO. S 32 000 001 >	1999 - 01		FDB1135			✓	FDB558		
307									
1.6 XR & XT	2001 - on		FDB1476				FDB1788		
1.6 HDI	10/04 - on		FDB1476				FDB1788		
X-LINE 1.6	2005 - on	✓	FDB1399				FDB1788		
X-LINE 1.6 HDI	2005 - on		FDB1476				FDB1788		
X-LINE 1.6 - ALTERNATE	2007 - on	✓	FDB1399				FDB1788		
2.0 CC (100KW)	2004 - on		FDB1728				FDB1788		
2.0 CC (130KW)	2004 - on		FDB1728				FDB1788		
2.0 HDI	2001 - on		FDB1476				FDB1788		
2.0 XS (ALL MODELS)	2001 - on		FDB1476				FDB1788		
2.0 SW	2002 - on		FDB1476				FDB1788		
2.0 XS (ALL MODELS) - ALTERNATE	2005 - on	✓	FDB1399				FDB1788		
308									
308 1.6	2008 - on		FDB4003				FDB4004		
308 HDI	2008 - on		FDB4003				FDB4004		
308 CC	2008 - on		FDB4003				FDB4004		
3008									
ALL MODELS	2009 - on		FDB4224						
404									
404; 404GL	1965 - 73		FDB46				309		
404; 404GL	1974 - 78	✓	FDB815				315		
405									
GR 1.8 ESTATE, SRTD 1.9 ESTATE	1996 - 97		FDB393				FDB544		
GR 1.8 ESTATE, SRTD 1.9 ESTATE - ALTERNATE	1996 - 97		FDB540				FDB544		
406									
406 SI, SLI, STI, ESTATE	1996 - on	✓	FDB1063	DDF841-1	841		FDB1415		
406 SRI 2.0, ST 2.0	1996 - on	✓	FDB1063	DDF841-1	841		FDB1415		
406 ST 2.0 HDI	08/02 - on	✓	FDB1063				FDB1415		
406 ST 2.2	2001 - on	✓	FDB1063				FDB1415		
406 SV 3.0 V6	1997 - on	✓	FDB1063				FDB1415		
406 3.0 V6 COUPE	1998 - on		FDB1379				FDB619		
407									
2.0 HDI S/W	11/04 - on		FDB1725				FDB1727		
2.0 HDI ST	11/04 - on		FDB1725				FDB1727		
2.0 ST ALL MODELS	07/04 - on		FDB1725				FDB1727		
2.0 S/WAGON	11/04 - on		FDB1725				FDB1727		
2.2 ST SPORT	07/04 - on		FDB1726				FDB1727		
2.7 HDI	2006 - on		FDB1726				FDB1727		
3.0 ST EXECUTIVE	07/04 - on		FDB1726				FDB1727		
3.0 V6 S/WAGON	11/04 - on		FDB1726				FDB1727		

APPLICATION GUIDE

YEAR

DS

FRONT
PAD

FRONT
DISC

ALT
NO.

DS

REAR
PAD/SHOE

REAR
DISC

ALT
NO.

504-505

504GL	1971 - 74		FDB42			FDB43
504GL	1974 - 78		FDB42			FDB71
504	1978 - 82		FDB142			FDB71
504 ALTERNATE	1978 - 82		FDB142			483
504, 1800L	1976 - 77		FDB42			309
504 1800L DIESEL	1978 - 79		FDB42			475
504 1800L; 2000 S/WAGON	1976 - 79		FDB42			415
505 - ALL MODELS	1980 - 85		FDB142			FDB71

605

SRI 3.0 V6	1996 - 97		FDB746			FDB1415
SRI 3.0 V6 - ALTERNATE	1996 - 97		FDB953			FDB1415
SV 3.0 V6	1996 - 97		FDB953			FDB619

607

3.0 V6	2001 - on		FDB1545			FDB1415
--------	-----------	--	---------	--	--	---------

806

			FDB1002			
ST 2.0	1996 - 02		FDB1000			FDB1003
ST 2.0 (TURBO MODELS)	1996 - 02		FDB1000			FDB1003

807

2.2 ST & SV	11/03 - on		FDB1556		✓	FDB1083
-------------	------------	--	---------	--	---	---------

1007

1.6	2005 - on	✓	FDB1399			FDB1788
-----	-----------	---	---------	--	--	---------

PEUGEOT COMMERCIAL

BOXER 350 2.8 PANEL VAN

BOXER 350 2.8 PANEL VAN	2000 - on		FVR968			
-------------------------	-----------	--	--------	--	--	--

BOXER 350 2.8 HDI

BOXER 350 2.8 HDI	2002 - on		FVR1479			FVR1480
-------------------	-----------	--	---------	--	--	---------

PARTNER 1.9D

PARTNER 1.9D	07/03 - on	✓	FDB1399			
PARTNER GRAND RAID 2.0 HDI	2006 - on	✓	FDB1399			

PORSCHE

911 SERIES

2.0	1965 - 69		FDB2			FDB3
2.2	1970 - 71		FDB11			FDB2
2.3	1972 - 73		FDB11			FDB2
2.7	1972 - 77		FDB458			FDB164
3.0 CARRERA	1972 - 77		FDB458			FDB164
3.0 SC, SPORT	09/77 - 07/83		FDB458			FDB164
3.0 TURBO	1974 - 77		FDB458			FDB164
3.0 TURBO	1978 - 81		FDB11			FDB164
3.2 CARRERA	09/83 - 06/89		FDB458			FDB164
3.3 SPORT TURBO	09/77 - 06/89	✓	FDB451		✓	FDB451
3.3 TURBO	01/90 - 06/91	✓	FDB560		✓	FDB451
3.3 TURBO	07/91 - 09/93	✓	FDS891		✓	FDB451

APPLICATION GUIDE

	YEAR	DS	FRONT PAD	FRONT DISC	ALT NO.	DS	REAR PAD/SHOE	REAR DISC	ALT NO.
3.4 CARRERA 4	1998 - on		FDB1742						
3.4 CARRERA 24V	1998 - on	✓	FDS1308						
3.6 CARRERA 2, 4	09/89 - 09/93	✓	FDB451			✓	FDB451		
3.6 CARRERA RS	09/91 - 06/93	✓	FDB560			✓	FDB451		
3.6 GT2, GT3, TURBO	03/99 - on		FDB1742						
3.6 NEW CARRERA TURBO	12/93 - 97	✓	FDB560			✓	FDB451		
3.6 TURBO	03/95 - 04/98	✓	FDS891			✓	FDB560		
3.8 CARRERA	06/95 - on	✓	FDB560			✓	FDB451		
912 SERIES									
1.6	1965 - 70		FDB2				FDB3		
914 SERIES									
1.7 VW PORSCHE 4	1969 - 75		FDB2				FDB93		
2.0 VW PORSCHE 6	1969 - 73		FDB3				FDB2		
924 SERIES									
2.0 (NOT TURBO)	04/77 - 07/85		FDB330				FDB2		
2.0 CARRERA	08/80 - 81		FDB165						
2.0 TURBO	08/79 - 08/82		FDB165				FDB330		
2.5 SPORT	08/79 - 85		FDB165						
2.5 S	09/85 - 01/88		FDB165				FDB330		
928 SERIES									
4.5 16V	12/79 - 07/82	✓	FDB256				FDB330		
4.5 16V	1977 - 12/79		FDB165				FDB330		
4.7 S 16V	1981 - 08/83	✓	FDB256				FDB330		
4.7 S SERIES 2 16V	09/83 - 07/86	✓	FDB560			✓	FDB451		
5.0 S SERIES 4, GT 32V	09/86 - 05/92	✓	FDB560			✓	FDB451		
5.4 GTS 32V	05/92 - 01/95	✓	FDS891			✓	FDB451		
911/997 SERIES									
3.6 CARRERA (ALL MODELS)	2005 - on		FDB1742			✓	FDS1308		
3.6 CARRERA 4	2006 - on		FDB1742						
3.6 GT3, GT3 RS	2006 - on								
3.6 TARGA 4	2006 - on		FDB1742			✓	FDS1308		
3.6 TURBO (ALL MODELS)	2006 - on								
3.8 CARRERA 4 S (ALL MODELS)	2006 - on		FDB1742						
3.8 CARRERA S (ALL MODELS)	2006 - on		FDB1742						
3.8 TARGA 4 S (ALL MODELS)	2006 - on		FDB1742						
944 SERIES									
2.5 (NOT TURBO)	04/82 - 06/89		FDB165				FDB330		
2.5 TURBO	09/85 - 08/88	✓	FDB451			✓	FDB451		
2.5 TURBO	09/88 - 05/92	✓	FDB560			✓	FDB451		
2.5 S 16V	1986 - 88		FDB165				FDB330		
2.7 S2	1988 - 08/90	✓	FDB451			✓	FDB451		
3.0 S2 16V	01/89 - 05/92	✓	FDB451			✓	FDB451		
959 SERIES									
2.9	1985 - 91	✓	FDB560			✓	FDB560		
964 SERIES									
964/2 (911 CARRERA 2)	1988 - on	✓	FDB451				FDB890		
964/4 (911 CARRERA 4)	1988 - on	✓	FDB451			✓	FDB451		
964 TURBO	1990 - 06/91	✓	FDB560			✓	FDB451		
964 TURBO	07/91 - 94	✓	FDS891			✓	FDB451		

APPLICATION GUIDE

	YEAR	DS	FRONT PAD	FRONT DISC	ALT NO.	DS	REAR PAD/SHOE	REAR DISC	ALT NO.
968 SERIES									
3.0 T6V (NOT CLUB SPORT)	1993 - 95	✓	FDB451			✓	FDB451		
3.0 T6V CLUB SPORT	1993 - 95	✓	FDB560			✓	FDB451		
3.0 TURBO	1993 - 95	✓	FDS891			✓	FDB451		
993 SERIES									
CARRERA	1994 - 97	✓	FDB560			✓	FDB451		
CARRERA RS	1994 - 97	✓	FDS891			✓	FDB560		
TURBO	1994 - 97	✓	FDS891			✓	FDB560		
996 SERIES									
3.4 CARRERA 4	1997 - on	✓	FDS1435			✓	FDS1308		
3.6 GT3, TURBO	1999 - on	✓	FDS1438			✓	FDS1435		
3.6 GT2	2001 - on	✓	FDS1438						
BOXSTER SERIES									
BOXSTER	1998 - on	✓	FDS1307			✓	FDS1308		
BOXSTER S	1999 - on		FDB1742						
CAYENNE SERIES									
CAYENNE 3.2 V6	2005 - on		FDB1625				FDB1627		
CAYENNE 4.5 V8	05/03 - on		FDB1625				FDB1627		
CAYENNE 4.5 V8 TURBO	05/03 - on		FDB1626				FDB1627		
CAYMAN SERIES									
2.7 COUPE	2006 - on								
3.4 S COUPE	2005 - on		FDB1742						
PROTON									
GEN. 2									
1.6 (ALL MODELS)	2005 - on		FDB1666						
1.6 (ALL MODELS)	2007 - on		FDB4291				FDB4292		
SATRIA									
1.6	2007 - on		FDB1666						
SAVVY									
1.2 (ALL MODELS)	2006 - on		FDB1699						
PROTON COMMERCIAL									
ARENA									
1.51 (ALL MODELS)	2006 - on								
RAMBLER									
ALL OTHER MODELS WITH DISCS									
ALL OTHER MODELS WITH DISCS	1970 - 76		FD547				793		
CLASSIC V8									
CLASSIC V8	1966 - 67		FDB32						
ALL OTHER MODELS WITH DISCS	1970 - 76		FD547				793		

APPLICATION GUIDE

YEAR

DS

FRONT
PAD

FRONT
DISC

ALT
NO.

DS

REAR
PAD/SHOE

REAR
DISC

ALT
NO.

RANGER

ALL MODELS

ALL MODELS	1968 - 73		FDB2				393
------------	-----------	--	------	--	--	--	-----

RENAULT

R5, LS, LS & PS

R5, LS, LS & PS	1975 - 82		FDB36				462
-----------------	-----------	--	-------	--	--	--	-----

R5 GTL

R5 GTL	1977 - 85		FDB229				462
--------	-----------	--	--------	--	--	--	-----

R5 ALL MODELS - IMPORTED CALIPER

R5 ALL MODELS - IMPORTED CALIPER	1980 - 83		FDB176				462
----------------------------------	-----------	--	--------	--	--	--	-----

R5 1400 TS

R5 1400 TS	1982 - 85		FDB229				470
------------	-----------	--	--------	--	--	--	-----

R8 - ALL MODELS

R8 - ALL MODELS	1965 - 70		FDB12				FDB13
-----------------	-----------	--	-------	--	--	--	-------

R9 - IMPORTED CALIPER

R9 - IMPORTED CALIPER	1983 - 86		FDB393				DRUM
-----------------------	-----------	--	--------	--	--	--	------

R9 - ALL MODELS

R9 - ALL MODELS	1983 - 86		FDB229W/1				527/711
-----------------	-----------	--	-----------	--	--	--	---------

R10 - ALL MODELS

R10 - ALL MODELS	1966 - 70		FDB12				FDB13
------------------	-----------	--	-------	--	--	--	-------

R11 - ALL MODELS

R11 - ALL MODELS	1985 - 86		FDB229				527
------------------	-----------	--	--------	--	--	--	-----

R12 - ALL MODELS

R12 - ALL MODELS	1970 - 74		FDB72				427
------------------	-----------	--	-------	--	--	--	-----

R16

R16	1966 - 72		FDB28				397
-----	-----------	--	-------	--	--	--	-----

R16 TS & TSL

R16 TS & TSL	1969 - 75		FDB36				397
--------------	-----------	--	-------	--	--	--	-----

R25 2.5

R25 2.5	1985 - on		FDB406				FDB114
---------	-----------	--	--------	--	--	--	--------

CLIO

1.2	2001 - on	✓	FDB845				
1.2, 1.4 VAVAVOOM	2006 - on	✓	FDB845				
1.4 RT	1999 - on	✓	FDB845	DDF158-1	714		
1.4 ALIZE	2001 - on	✓	FDB845				
1.5 DCI EXPRESSION	11/03 - on	✓	FDB845				
1.6	1999 - on	✓	FDB845				
2.0 16V	1999 - on		FDB1420				

CLIO III

1.4 (ALL MODELS)	2006 - on		FDB1617				FDB1770
------------------	-----------	--	---------	--	--	--	---------

APPLICATION GUIDE

	YEAR	DS	FRONT PAD	FRONT DISC	ALT NO.	DS	REAR PAD/SHOE	REAR DISC	ALT NO.
1.5 DCI	2006 - on		FDB1617				FDB1770		
1.6 (ALL MODELS)	2006 - on		FDB1617				FDB1770		
ESPACE									
2.0	1991 - 96		FDB880				FDB114		
2.0 RXE STD & GRAND	1997 - on		FDB1124				FDB878		
3.0 RXT V6 GRAND	1999 - on		FDB1515				FDB878		
ESPACE IV									
2.0T	2005 - on		FDB1541	DDF1654-1			FDB1540		
2.2 DCI	2005 - on		FDB1541	DDF1654-1			FDB1540		
3.5 V6	2005 - on		FDB1541	DDF1654-1			FDB1540		
FUEGO									
FUEGO TURBO	1984 - 85		FDB270				FDB114		
GRAND SCENIC II									
1.9 DCI	2004 - 2005		FDB1785				FDB1491	DDF1656-1	
1.9DCI	2006 - on		FDB1865				FDB1491	DDF1656-1	
2.0 (ALL MODELS)	2004 - 2005		FDB1785				FDB1491	DDF1656-1	
2.0 (ALL MODELS)	2006 - on		FDB1865				FDB1491	DDF1656-1	
LAGUNA									
ALL MODELS	96 - 08/97		FDB406				FDB878		
ALL MODELS	08/97 - 04/99		FDB406				FDB1278		
ALL MODELS	04/99 - on		FDB1420				FDB1278		
LAGUNA II									
1.8 (ALL MODELS)	2001 - on		FDB1441				FDB1540		
1.9 DCI	02/03 - on		FDB1441				FDB1540		
2.0 16V	07/02 - on		FDB1441				FDB1540		
3.0 V6	2001 - on		FDB1541				FDB1540		
LAGUNA III									
3.5 V6	2009 - on								
MEGANE									
1.4 RTE HATCHBACK	08/99 - 03		FDB1420				588		
1.6 8V CABRIOLET	1996 - 99	✓	FDB845	DDF158-1	714		588		
1.6 RN HATCHBACK	1996 - 99	✓	FDB845	DDF158-1	714		588		
1.6 RT CLASSIC & HATCHBACK	1996 - 99	✓	FDB845	DDF158-1	714		588		
1.6E RT COUPE	1996 - 99	✓	FDB845	DDF158-1	714		588		
1.6 RXE, RXT 16V (ALL MODELS)	08/99 - 03		FDB1420				588		
2.0 16V CABRIOLET	1996 - 03/99		FDB406			✓	FDB558		
2.0 16V CABRIOLET	04/99 - 01		FDB1420			✓	FDB558		
2.0 8V COUPE	1996 - 99	✓	FDB845				588		
2.0 16V COUPE	04/99 - 01		FDB1420			✓	FDB558		
2.0 16V COUPE	1996 - 03/99		FDB406			✓	FDB558		
2.0 16V SPORT COUPE & CABRIOLET	08/99 - 03		FDB1420			✓	FDB558		
2.0 RXE CLASSIC & HATCHBACK	1996 - 99	✓	FDB845				588		
MEGANE II									
1.5 DCI HATCH	2003 - 2005		FDB1584				FDB1491		
1.5 DCI HATCH (WITH 15" WHEELS)	2006 - on		FDB1866				FDB1491		
1.5 DCI HATCH (WITH 16" WHEELS)	2006 - on		FDB1865				FDB1491		
1.6 HATCH (ALL MODELS)	2003 - 2005		FDB1544				FDB1491		
1.6 SEDAN (ALL MODELS)	2003 - 2005		FDB1544				FDB1491		

APPLICATION GUIDE

	YEAR	DS	FRONT PAD	FRONT DISC	ALT NO.	DS	REAR PAD/SHOE	REAR DISC	ALT NO.
1.6 C.C.	2005 - 2005		FDB1544				FDB1491		
1.6 C.C.	2006 - on		FDB1865				FDB1491		
1.6 HATCH (WITH 15" WHEELS)	2006 - on		FDB1866				FDB1491		
1.6 HATCH (WITH 16" WHEELS)	2006 - on		FDB1865				FDB1491		
1.6 SEDAN (WITH 15" WHEELS)	2006 - on		FDB1866				FDB1491		
1.6 SEDAN (WITH 16" WHEELS)	2006 - on		FDB1865				FDB1491		
1.9 DCI C.C.	2005 - 2005		FDB1544				FDB1491		
1.9DCI C.C.	2006 - on		FDB1865				FDB1491		
1.9 DCI HATCH	2003 - 2005		FDB1544				FDB1491		
1.9 DCI HATCH (ALL MODELS)	2006 - on		FDB1865				FDB1491		
1.9 DCI SEDAN	2003 - 2005		FDB1544				FDB1491		
1.9 DCI SEDAN (ALL MODELS)	2006 - on		FDB1865				FDB1491		
2.0 C.C.	2004 - 2005		FDB1544				FDB1491		
2.0 C.C.	2006 - on		FDB1865				FDB1491		
2.0 HATCH	04/03 - on		FDB1544				FDB1491		
2.0 RS 16V TURBO	08/04 - on		FDB1667						
2.0 RS F1	2006 - on		FDB1667						
2.0 SEDAN	2003 - 2005		FDB1544				FDB1491		
2.0 SEDAN (ALL MODELS)	2006 - on		FDB1865				FDB1491		
MEGANE SCENIC									
ALL MODELS (INCL. RX4 2.0)	08/99 - on		FDB1420				FDB1491		
1.4, 1.6	08/04 - on	✓	FDB845				588		
1.4, 1.6	09/98 - 07/99		FDB406				588		
1.6 16V, 2.0	09/98 - 07/99		FDB406				588		
1.6 16V, 2.0 (WITH REAR DISCS)	09/98 - 07/99		FDB406				FDB544		
1.9 DCI	02/03 - on		FDB1420				FDB1491		
MEGANE SCENIC II									
ALL MODELS	2004 - 2005		FDB1544				FDB1491		
1.6 (WITH 15" WHEELS)	2006 - on		FDB1866				FDB1491		
1.6 (WITH 16" WHEELS)	2006 - on		FDB1865				FDB1491		
1.9 DCI (ALL MODELS)	2006 - on		FDB1865				FDB1491		
2.0 (ALL MODELS)	2006 - on		FDB1865				FDB1491		
MODUS									
1.2, 1.4 (ALL MODELS)	2005 - on		FDB1617				FDB1770		
SAFRANE									
2.5 AUTO	96 - 03/99		FDB406				FDB878		
2.5 AUTO	04/99 - on		FDB1420				FDB878		
SPIDER									
2.0 RT	1996 - on		FDB1085				FDB1071		
VEL SATIS									
3.5 V6	04/03 - on		FDB1541				FDB1540	DDF1655-1	
RENAULT COMMERCIAL									
KANGOO 1.4 MULTIX									
1.4	2007 - on		FDB1135						
KANGOO 1.4 PANEL VAN									
KANGOO 1.4 PANEL VAN	2001 - on		FDB1135	DDF158-1	714				

APPLICATION GUIDE

YEAR

DS

FRONT
PAD

FRONT
DISC

ALT
NO.

DS

REAR
PAD/SHOE

REAR
DISC

ALT
NO.

KANGOO 1.5 DCI

KANGOO 1.5 DCI 2003 - on FDB1135

R5 PANEL VAN

R5 PANEL VAN 1980 - 85 FDB229 462

TRAFIC

1.9 DCI (ALL MODELS) 2005 - on FVR1515 FVR1516 DDF1623-1

ROLLS ROYCE

ALL MODELS

ALL MODELS 1966 - 98 FDB1284 FDB1296

ROVER

2000

2000 1965 - 69 FDB908 FDB908

2000 HANDBRAKE 1965 - 69 FDB822

2.6 SD & SDX

2.6 SD & SDX 1978 - 84 FD559 795

3500

3500 1969 - 71 FDB814 FD555

3.5 SDE & SDX

3.5 SDE & SDX 1978 - 84 FD559 795

V8 SPORT

V8 SPORT 1971 - 75 FDB9 FD539

R75 1.8T

R75 1.8T 2003 - on FDB1355 ✓ FDB1301

R75 2.5 V6 (ALL MODELS)

R75 2.5 V6 (ALL MODELS) 2001 - on FDB1355 ✓ FDB1301

STREETWISE 1.4

STREETWISE 1.4 2001 - on FDB613

STREETWISE 2.0 TD

STREETWISE 2.0 TD 2001 - on FDB613

SAAB

9-3

ALL MODELS 1998 - 2002 FDB1535 FDB1117

ALL MODELS 2002 - on FDB1520 FDB1766

MODELS WITH 16" RIMS 2002 - on FDB1833 FDB1766

9-5

ALL MODELS 1998 - on FDB1535 FDB1117

ALL MODELS 1999 - on FDB1535 FDB1867

APPLICATION GUIDE

YEAR
DS
**FRONT
PAD**
**FRONT
DISC**
**ALT
NO.**
DS
**REAR
PAD/SHOE**
**REAR
DISC**
**ALT
NO.**

900						
ALL MODELS	95 - 07/96	FDB901		✓	FDB586	
ALL MODELS	08/96 - 99	FDB1535			FDB1117	

9000						
ALL MODELS	1995 - 00	FDB670			FDB506	
ALL MODELS - ALTERNATE	1995 - 00	FDB622			FDB562	

SEAT

ALTEA						
2.0 FSI	2006 - on	✓	FDB1641		FDB1637	
2.0 TDI	2006 - on	✓	FDB1641		FDB1637	

IBIZA						
1.8T CUPRA	2006 - on		FDB1957			
1.9 TDI CUPRA	2006 - on		FDB1896			
1.9 TDI FR	2006 - on		FDB1896			
2.0 SPORT	2006 - on		FDB1896			

LEON						
2.0 FSI	2006 - on		FDB1896		FDB4178	
2.0 TDI	2006 - on		FDB1896		FDB4178	
2.0 TFSI	2006 - on		FDB1896		FDB4178	

SKODA						
FABIA 1.4 16V	1999 - on		FDB1094			
FABIA 1.9 16V	1999 - on		FDB1094			
OCTAVIA 1.8 20 V	1999 - on		FDB1094			
OCTAVIA 1.9 TURBO DIESEL	1999 - on		FDB1094			

SSANGYONG

ACTYON						
A200 (ALL MODELS)	2006 - on		FDB1605	DDF1627-1	FDB1937	

KORANDO						
ALL MODELS	1997 - 99		FDB1156		FDB1157	
ALL MODELS (FACE - LIFT)	2000 - on	✓	FDB600	DDF1627-1	FDB1937	

KYRON						
2.0XDI (ALL MODELS)	2005 - on		FDB1605	DDF1627-1	FDB1937	

MUSSO						
ALL MODELS	1995 - 99		FDB1156		FDB1157	
ALL MODELS (FACE - LIFT)	2000 - on	✓	FDB600		FDB1937	

MUSSO SPORTS						
2.9 (ALL MODELS)	2004 - on	✓	FDB600		FDB1937	

REXTON						
270 XDI	2004 - 2004	✓	FDB600		FDB1937	
270 XDI	2005 - on		FDB1605	DDF1627-1	FDB1937	
TD290	2002 - on	✓	FDB600		FDB1937	
E230EL	2002 - on	✓	FDB600		FDB1937	
E320EL	2002 - on	✓	FDB600		FDB1937	

APPLICATION GUIDE

YEAR

DS

FRONT
PAD

FRONT
DISC

ALT
NO.

DS

REAR
PAD/SHOE

REAR
DISC

ALT
NO.

STAVIC

270XDI	2006 - on	FDB1999	FDB4000
320 EL	2006 - on		

SUBARU

FORESTER

2.0 GX	1997 - 02	PD721	MX770
2.0 GX -ALTERNATE	1997 - 02	FDB1639	MX770
2.0 GL, GT	1998 - 02	PD721	MX770
2.0 GL, GT - ALTERNATE	1998 - 02	FDB1639	MX770
2.5 XEL	2002 - on	PD721	MX770
2.5X	2002 - on	PD721	MX770
2.5XEC	2002 - on	PD721	MX770
2.5 XEL - ALTERNATE	2003 - on	FDB1639	MX770
2.5X - ALTERNATE	2003 - on	FDB1639	MX770
2.5XEC - ALTERNATE	2003 - on	FDB1639	MX770
2.5 XT	11/03 - on	FDB1639	MX770
2.5 XS	2006 - on		FDB1861

IMPREZA

1.8 GL S/WAGON	1995 - 99	FDB789	FDB790
2.0 GL S/WAGON	97 - 00	PD721	MX770
2.0 GL SEDAN	98 - 99	PD721	MX770
2.0 GL SEDAN (WITH 14" WHEELS)	98 - 99	FDB1612	MX770
2.0 GT SEDAN	1997 - 00	PD721	MX770
2.0 GT SEDAN	97 - 00	✓ FDB948	FDB790
2.0 GX SEDAN & S/WAGON	2000 - on	FDB1639	MX770
2.0 R (ALL MODELS)	2005 - on		
2.0 RX SEDAN & S/WAGON	1997 - 00	PD721	MX770
2.0 RX SEDAN (WITH 14" WHEELS)	1997 - 00	FDB1612	MX770
2.0 WRX SEDAN & S/WAGON	2000 - on	✓ FDB986	FDB946
2.0 WRX STI	2002 - on	✓ FDB1334	✓ FDB1562
2.5 RS (ALL MODELS)	2004 - on		
2.5 WRX	2005 - on	✓ FDB986	
2.5 WRX STI	2005 - on	✓ FDB1334	✓ FDB1562

LEGACY

2.0 GL T/WAGON	1998 - 01	FDB1612	MX770
2.0 GT SEDAN & S/WAGON	11/03 - on		
2.0 LX T/WAGON	1994 - 97	FDB789	FDB790
2.0R (ALL MODELS)	2005 - 2007		
2.2 GX SEDAN	1995 - 96	FDB789	FDB790
2.2 GX SEDAN	1997 - 98	FDB1612	FDB790
2.2 GX T/WAGON	1994 - 96	FDB789	FDB790
2.2 GX T/WAGON	1997 - 00	FDB1612	FDB790
2.5 GT-B	2006 - on		
2.5 GX SEDAN	1999 - on	PD721	MX770
2.5 GX T/WAGON	1998 - on	PD721	MX770
2.5 OUTBACK S/WAGON	1996 - 03	PD721	MX770
2.5I SEDAN & S/WAGON	11/03 - on	*	
3.0 OUTBACK S/WAGON	2000 - 03	PD721	MX770
3.0R (ALL MODELS)	2004 - on		
3.0R-B	2006 - on		

SVX

SVX 3.3 4WD COUPE	1996 - 98	FDB652	FDB790
-------------------	-----------	--------	--------

APPLICATION GUIDE

YEAR

DS

FRONT
PAD

FRONT
DISC

ALT
NO.

DS

REAR
PAD/SHOE

REAR
DISC

ALT
NO.

TRIBECA

3.0 4X4 2006 - on FDB4187

SUZUKI

4X4

4X4 1983 - on FDB396 DDF1355-1 259 524

SAMURAI

SAMURAI CONVERTIBLE 4X4 1993 - on FDB396 DDF1355-1 259 524

SAMURAI WAGON 4X4 1993 - on FDB396 DDF1355-1 259 524

SJ SERIES

SJ 410 1983 - 89 FDB396 DDF1355-1 259 524

SJ 413 1988 - 89 FDB396 DDF1355-1 259 524

SJ 413 (ALTERNATE) 1988 - 89 524

SX SERIES

SX4 2006 - FDB4112 FDB1875

VITARA

1.6 1994 - 98 FDB712 586

1.6 (ALTERNATE 1) 1994 - 98 FDB1020 586

1.6 (ALTERNATE 2) 1997 - 98 FDB1565 DDF1687-1 586

2.0 V6 1995 - 99 FDB712 586

2.0 V6 (ALTERNATE 1) 1995 - 99 FDB1020 586

2.0 V6 (ALTERNATE 2) 1997 - 99 FDB1565 DDF1687-1 586

GRAND 1.6 , 2.0 03/99 - on FDB1565 DDF1687-1 620

GRAND 1.6 , 2.0 10/05 - on FDB4060 TBA

GRAND 2.5 V6 03/99 - on FDB1565 DDF1687-1 620

GRAND 2.7 V6 2001 - on FDB1565 DDF1687-1 620

TATA

INDICA 1.4 (WITH ABS)

1.4 (WITH ABS) 2004 - 2006 FDB1900

INDICA 1.4 (WITHOUT ABS)

1.4 (WITHOUT ABS) 2004 - 2006 FDB588

INDIGO 1.4 (ALL MODELS)

INDIGO 1.4 (ALL MODELS) 2004 - 2006 FDB4072

SAFARI 4X2, 4X4

SAFARI 4X2, 4X4 2004 - on FDB1291

TATA COMMERCIAL

207

3.0 2007 - on FDB1291

TELCOLINE 2.0 TD 4X2

TELCOLINE 2.0 TD 4X2 08/04 - on FDB1291

TELCOLINE 2.0 TD 4X4

TELCOLINE 2.0 TD 4X4 08/04 - on FDB1291

APPLICATION GUIDE

YEAR

DS

FRONT
PAD

FRONT
DISC

ALT
NO.

DS

REAR
PAD/SHOE

REAR
DISC

ALT
NO.

TOYOTA

AURIS

1.4 RT, RS	2007 - on	FDB4046	DDF1645-1		FDB4048
1.6 RT, RS, RS M-MT	2007 - on	FDB4046	DDF1645-1		FDB4048
1.8 RS, RX	2007 - on	FDB4046	DDF1645-1		FDB4048
2.0 RS, RX D-4D	2007 - on	FDB4046	DDF1645-1		FDB4048

AVANZA

1.3 S, SX	2006 - on	FDB4049			
1.5 SX, TX	2006 - on	FDB4049			

AVENSIS

2.0	2006 - on	FDB1648			FDB1649
2.2 D-4D	2006 - on	FDB1648			FDB1649
2.4	2006 - on	FDB1648			FDB1649

CAMRY

200i; Si; 220Si; SEI	1992 - 97	FDB867	DDF702-1	723	547
200i; Si; 220Si; SEI	1998 - 01	FDB867	DDF702-1	723	FDB478
220 GL, GLX (ALL MODELS)	08/01 - on				
2.2i (IMPORTED MODELS ONLY)	10/96 - 00	FDB1437			
2.4 XLI, GLI	03/03 - on	FDB1620			FDB1686
300 SEI	1992 - 97	FDB868	DDF501-1	722	FDB478
300 GLX	08/01 - on		DDF501-1	722	
3.0 (IMPORTED MODELS ONLY)	10/96 - 00	FDB1437			
3.0 V6	03/03 - on	FDB1620			FDB1686

CELICA

SUPRA	1981 - 07/86	FDB265			FDB290
SUPRA	07/86 - 08/93	FDB476			FDB477

CONDOR

ALL MODELS	2000 - on	FDB1464			491
------------	-----------	---------	--	--	-----

CONQUEST

1300	1985 - 1998	FDB259	DDF279-1	247	532
1300	1988 - 1993	FDB259			532
130, 130 SPORT	1993 - 01	FDB259	DDF1318-1	251	532
130 TAZZ, ZIP	1996 - on	FDB259	DDF1318-1	251	532
1600	1985 - 1988	FDB259	DDF279-1	247	532
1600	1988 - 1993	FDB259			532
1600 RSI 16V	1986 - 1988	✓ FDB308	DDF407-1	252	532
1600 RSI 16V	1988 - 1993	✓ FDB308	DDF413-1	246	FDB848
160i SPORT, 160i RS	1993 - 1998	FDB259	DDF1319-1	823	532
160i RSE	1998 - 01	FDB259	DDF1319-1	823	532
180i	1993 - 1998	FDB259			
180 RSI	1993 - 06/94	✓ FDB308	DDF1317-1	824	FDB848
180 RSI	07/94 - 96	FDB259	DDF1317-1	824	FDB848

COROLLA

1200	1978 - 80	FD535			410
1300 (REAR WHEEL DRIVE)	1980 - 1984	FDB128	DDF279-1	247	491
1600	1975 - 80	FD535			410
1600 TWIN CAM 16V	1985 - 88	✓ FDB308	DDF407-1	252	532
1.3 (FRONT WHEEL DRIVE)	1984 - 1988	FDB259	DDF279-1	247	532
1.3	1988 - 1992	FDB259			532

APPLICATION GUIDE

	YEAR	DS	FRONT PAD	FRONT DISC	ALT NO.	DS	REAR PAD/SHOE	REAR DISC	ALT NO.
1.4 (ALL MODELS)	09/07 - on								
1.6 (REAR WHEEL DRIVE)	1980 - 1984		FDB128	DDF1345-1	721		491		
1.6 (FRONT WHEEL DRIVE)	1984 - 1988		FDB259	DDF279-1	247		532		
1.6 GL , GLS & GLX	1988 - 93		FDB259				532		
1.6 GLI & EXEC	1988 - 93	✓	FDB308	DDF413-1	246		532		
1.6 GLE	1992 - 94		FDB259				532		
1.6 (ALL MODELS)	09/07 - on		FDB4046						
1.8 (ALL MODELS)	09/07 - on		FDB4046						
2.0 D-4D (ALL MODELS)	09/07 - on		FDB4047						
130 (ALL MODELS)	1993 - 02		FDB259	DDF1318-1	251		532		
140I GLE, GLS	09/02 - on		FDB1573	DDF1343-1	981		FDB1574		
140I	2006 -on		FDB4046				FDB4048		
160I GL , GLE	1993 - 04/98		FDB259	DDF1319-1	823		532		
160I GL , GLE	04/98 - 07/01	✓	FDB308	DDF1317-1			532		
160I GL , GLE	07/01-09/02		FDB259	DDF1319-1	823		532		
160I GLS	02/01 - on	✓	FDB308				FDB848		
160I GLE, GLS, GSX	09/02 - on		FDB1573	DDF1343-1	981		FDB1574		
160 RSI	97 - 01	✓	FDB308	DDF1317-1	824		FDB848		
160I	2006 - on		FDB4046				FDB4048		
160 RXI	1998 - 02	✓	FDB308	DDF1317-1	824		FDB848		
180I GL	1993 - 94		FDB259	DDF1317-1	824		532		
180I GLE	1993 - 04/98		FDB259	DDF1317-1	824		532		
180I GLE	04/98 - 07/01	✓	FDB308	DDF1317-1	824		532		
180I GLE	07/01 - 09/02		FDB259	DDF1317-1	824		532		
180I GLE, GLS, GSX	09/02 - on		FDB1573	DDF1343-1	981		FDB1574		
180I GSE	1993 - 98		FDB259	DDF1317-1	824		532		
180I GSX	1993 - 96	✓	FDB308	DDF1317-1	824		FDB848		
180I	2006 -on		FDB4046	DDF1317-1	824		FDB4048		
2.0 D-4D	2006 -on		FDB4047	DDF1317-1	824		FDB4048		
COROLLA AVANTE									
AVANTE - ALL MODELS EXCEPT 16V	1984 - 88		FDB259				532		
AVANTE GLI 16V TWIN CAM	1985 - 88	✓	FDB308	DDF407-1	252		532		
COROLLA SPRINTER									
130, 160I, 180I	1993 - 97		FDB259	DDF1319-1	823		532		
140I, 160I, 180I	2006 - on		FDB1573				FDB1574		
COROLLA VERSO									
1.6, 160 (ALL MODELS)	2005 - on		FDB1648				FDB1649		
1.8, 180 (ALL MODELS)	2005 - on		FDB1648				FDB1649		
CORONA									
1600	1969 - 71		FD535				410		
1600 - ALTERNATE	1971 - 74		FDB77				432		
1700	1971 - 74		FD535				410		
1700 - ALTERNATE	1971 - 74		FDB54				406		
1800	1974 - 80		FD535				410		
1800 - ALTERNATE	1974 - 80		FD558				410		
1900	1969 - 73		FD535				410		
2000	1972 - 78		FD535				410		
2000 - ALTERNATE	1972 - 78		FD547				410		
2000 SL	1978 - 80		FD558				410		
CRESSIDA									
ALL MODELS	1976 - 80		FD558				410		
ALL MODELS EXCEPT 2.4I & 2.8I	1980 - 93		FDB206	DDF1325-1	271		491		

APPLICATION GUIDE

	YEAR	DS	FRONT PAD	FRONT DISC	ALT NO.	DS	REAR PAD/SHOE	REAR DISC	ALT NO.
2.4i	1987 - 93		FDB206	DDF1325-1	271		519		
2.8i	1985 - 86		FDB206	DDF1325-1	271		FDB282		
2.8i	1986 - 89		FDB206	DDF1325-1	271		FDB526		
3.0i TWIN CAM	1989 - 93		FDB206	DDF1325-1	271		FDB526		
FORTUNER									
3.0 D-4D 4X4	2006 - on		FDB1698						
3.0 D-4D RB	2006 - on		FDB1698						
4.0 4X4	2006 - on		FDB1698						
4.0 RB	2006 - on		FDB1698						
LEXUS									
GS 300	1998 - on		FDB1564				FDB1610		
GS 300 (ALL MODELS)	2006 - on		FDB4216				FDB4001		
IS 200	1999 - on		FDB1564				FDB1610		
IS 250 (ALL MODELS)	2006 - on		FDB1936						
IS 300	2004 - on		FDB1564				FDB1610		
LS 400	90 - 92		FDB868				FDB945		
LS 400	93 - 94		FDB1558				FDB1684		
LS 400	95 - 00		FDB1554				FDB1684		
LS 430	2000 - on		FDB1688				FDB1689		
LS 460	2006 - on								
RX 300 , XE	10/00-04/03		FDB1911						
RX 300 , XE	04/03 - on		FDB1697				FDB1756		
RX 300 , XE (ALTERNATE)	04/03 - on		FDB1715				FDB1756		
RX 350 (ALL MODELS)	2006 - on								
MR2									
1.6	09/86 - 04/90	✓	FDB308				FDB470		
1.8	2001 - on		FDB1392				FDB470		
2.0	04/90 - 12/91		FDB928				FDB470		
2.0	12/91 - 05/00		FDB928				FDB470		
2.0 (ALTERNATE)	12/91 - 05/00		FDB649				FDB470		
PREVIA									
PREVIA 2.4 (WITH ABS)	1990 - 99		FDB932				FDB931		
PREVIA 2.4 (WITHOUT ABS)	1990 - 99		FDB930						
PRIUS									
1.5 HYBRID	2006 - on		FDB1392				FDB1395		
1.8	2009 - on		FDB4310						
RAV 4									
ALL MODELS	1995 - 10/00		FDB867	DDF1009-1	822		577		
ALL MODELS	10/00 - on		FDB1514				FDB1531		
ALL MODELS	10/03 - on		FDB1514				FDB1531		
2.2D-4D (ALL MODELS)	2006 - on		FDB1891	DDF1646-1			FDB1892		
RUN-X									
140 (ALL MODELS)	2003 - on		FDB1573	DDF1343-1	981		FDB1574		
160 (ALL MODELS)	2003 - on		FDB1573	DDF1343-1	981		FDB1574		
180 RSI	02/03 - on		FDB1528				FDB1395		
180 RX	2004 - on		FDB1573	DDF1343-1	981		FDB1574		
TAZZ									
ALL MODELS	1999 - on		FDB259	DDF1318-1			532		

APPLICATION GUIDE

YEAR

DS

FRONT
PAD

FRONT
DISC

ALT
NO.

DS

REAR
PAD/SHOE

REAR
DISC

ALT
NO.

YARIS

1.0 T1 (ALL MODELS)	2006 - on	FDB1829			
1.3 T3 (ALL MODELS)	2005 - on	FDB1829			
1.0,1.3 VVTi D-4D	2006 - on	FDB4042			FDB4041

TOYOTA COMMERCIAL

1200 LDV WITH DISCS

1200 LDV WITH DISCS	1980 - on	FD535			410
---------------------	-----------	-------	--	--	-----

CONQUEST

CARRI PANEL VAN	1998 - 00	FDB259			532
-----------------	-----------	--------	--	--	-----

COROLLA

PANEL VAN	1980 - 84	FDB887			440
1600 PANEL VAN	1984 - 89	FDB128			491

DYNA

4-093	1999 - 2001	FDB1837			
4-093	2001 - on	FDB554			
5-103, 5-104	1998 - on	FDB1818			

HI-ACE

1800 PANEL VAN & WAGON	1982 - 83	FDB186	DDF147-1	233	452
1800 PANEL VAN & WAGON	1984 - 90	FDB388	DDF416-1	237	819
2000 PANEL VAN	1977 - 84	FDB186	DDF147-1	233	452
2000 SUPER 10 & 16 SEATER BUS	1977 - 84	FDB186	DDF147-1	233	452
2000 SUPER CUSTOM TURBO BUS	1984 - 86	FDB388	DDF416-1	237	819
2000 CUSTOM BUS	1984 - 87	FDB388	DDF416-1	237	819
2000 PANEL VAN & COMMUTER 16 BUS	1984 - 87	FDB388	DDF416-1	237	819
2000 (IMPORTED MODELS ONLY)	1990 - on	FDB554	DDF416-1	237	452
2200 PANEL VAN & BUS (ALL MODELS)	1987 - 02/93	FDB388	DDF416-1	237	819
2200 PANEL VAN & BUS (ALL MODELS)	03/93 - on	FDB579/1	DDF416-1	237	819

HILUX

1600	1982 - 83	FDB186	DDF147-1	233	452
1600	1984 - 87	FDB388	DDF416-1	237	819
1800 S, SR	1987 - 04/94	FDB388	DDF416-1	237	819
1800 S, SR	05/94 - on	FDB579/1	DDF416-1	237	819
1800 4X2	1998 - on	FDB579/1	DDF416-1	237	819
2000, 2000 SR5	1979 - 83	FDB186	DDF147-1	233	452
2000, 2000 SRX	1984 - 87	FDB388	DDF416-1	237	819
2000 4X2 (ALL MODELS)	1998 - on	FDB579/1	DDF416-1	237	604
2000 4X4	1980 - 86	FDB288	DDF444-1	277	501
2.0 CH-CAB	2005 - on	FDB1836			
2.0 SRX VVT-I, 2.0 VVT-I	2005 - on	FDB1836			
2200 DIESEL	1980 - 83	FDB186	DDF147-1	233	452
2200 DIESEL	1984 - 86	FDB388	DDF416-1	237	819
2200 4X4	1985 - 86	FDB288	DDF444-1	277	501
2200, 2200 SRX	1987 - 04/94	FDB388	DDF416-1	237	819
2200, 2200 SRX	05/94 - on	FDB579/1	DDF416-1	237	819
2200 4X4 (ALL MODELS)	1987 - 94	FDB288	DDF444-1	277	501
2400 DIESEL	1985 - 07/93	FDB388	DDF416-1	237	819
2400 DIESEL 4X4	08/93 - on	FDB579/1	DDF416-1	237	819
2400 DIESEL 4X2	1998 - on	FDB579/1	DDF416-1	237	604
2400 DIESEL 4X4	1989 - 07/93	FDB388	DDF416-1	237	819
2400 DIESEL	08/93 - on	FDB579/1	DDF416-1	237	819

FERODO

YOU'RE IN CONTROL

APPLICATION GUIDE

	YEAR	DS	FRONT PAD	FRONT DISC	ALT NO.	DS	REAR PAD/SHOE	REAR DISC	ALT NO.
2400 S PETROL	1994 - on		FDB579/1	DDF416-1	237		819		
2400 4X4 RAIDER	1994 - on		FDB288	DDF416-1	237		819		
2.5 D-4D LWB	2005 - on		FDB1836						
2.5 SRX D-4D D/CAB 4X4	2005 - on		FDB1852						
2.5 SRX D-4D LWB	2005 - on		FDB1836						
2.5 SRX D-4D LWB 4X4	2005 - on		FDB1852						
2.5 SRX D-4D LWB RB	2005 - on		FDB1852						
2700I 4X2 (ALL MODELS)	1998 - on		FDB797	DDF596-1	238		604		
2700I 4X4 (ALL MODELS)	1998 - on		FDB797	DDF596-1	238		604		
2.7 RAIDER LWB VVT-I RB	2007 - on		FDB1852						
2.7 RAIDER VVT-I D/CAB RB	2005 - on		FDB1852						
2.7 SRX VVT-I LWB 4X4	2005 - on		FDB1852						
2800 (ALL MODELS)	1995 - 99		FDB579/1	DDF416-1	237		819		
3000 DIESEL 4X2 (ALL MODELS)	1998 - on 2005		FDB797	DDF596-1	238		604		
3000 DIESEL 4X4 (ALL MODELS)	1998 - on 2005		FDB797	DDF596-1	238		604		
3.0 RAIDER D-4D D/CAB 4X4	2005 - on		FDB1852						
3.0 RAIDER D-4D LWB RB	2005 - on		FDB1852						
3.0 TDI RAIDER D/CAB RB	2005 - on		FDB1852						
4.0 RAIDER D-CAB 4X4	2005 - on		FDB1852						
LANDCRUISER									
DLX 4X4 PETROL & DIESEL	1985 - 94		FDB288	DDF347-1	276		509		
LAND CRUISER 4X4	1984 - 88		FDB288	DDF347-1	276		509		
LAND CRUISER V6 4X4	1989 - on		FDB797	DDF347-1	276		509		
GX DIESEL 4.2	1993 - on		FDB797	DDF347-1	276		FDB1021		
VX TDI 4.2	1997 - on		FDB797	DDF347-1	276		FDB1021		
PRADO 3.0 TDI GX & VX (ALL MODELS)	03/03 - on		FDB1698				FDB1021		
PRADO 3.0 TDI GX & VX (ALL MODELS)	1997 - 03		FDB797	DDF1008-1	957		FDB1021		
PRADO 3.4 GX & VX PETROL	1997 - 03		FDB797	DDF1008-1	957		FDB1021		
PRADO 3.4 V6	1997 - 03		FDB797	DDF1008-1	957		FDB1021		
PRADO 4.0 VX V5	03/03 - on		FDB1698				FDB1021		
LANDCRUISER 100 SERIES									
4.2 GX	1998 - on		MX772				PD773		
4.2 TD VX	1998 - on		MX772				PD773		
4.2 TD GX	2002 - on		MX772				PD773		
4.5 GX	1998 - on		MX772				PD773		
4.7 V8 VX	1999 - on		MX772				PD773		
LANDCRUISER PICK UP									
4.2 D	2000 - on		FDB1456						
4.5	2000 - on		N/A*						
4.5 D	2008 - on		FDB4229				FDB4230		
4.7 V8	2008 - on		FDB4229				FDB4230		
QUANTUM									
2.5 D, D-4D (ALL MODELS)	2005 - on		FDB1854	DDF1686-1					
2.7 (ALL MODELS)	2005 - on		FDB1854	DDF1686-1					
STALLION									
T.5 SR5	1988 - 1992		FDB306				491		
1800 PICK/UP & PANEL VAN	1991 - 2000		FDB306	DDF808-1	281		491		
1800 PANEL VAN	2000 - 2003		FDB306				491		
2000 PANEL VAN	2003 - on		FDB306				491		
2400 PICK/UP & PANEL VAN	1995 - 2000		FDB306				491	DDF1323-1	282

APPLICATION GUIDE

YEAR

DS

FRONT
PAD

FRONT
DISC

ALT
NO.

DS

REAR
PAD/SHOE

REAR
DISC

ALT
NO.

VENTURE

VENTURE 1800	1991 - 00	FDB306	DDF808-1	281	491
VENTURE 2200	03/94 - 00	FDB306	DDF1323-1	282	491
VENTURE 2.4 DIESEL	1996 - 00	FDB306	DDF1323-1	282	491

TRIUMPH

1500

1500	1968 - 71	FDB811			738
1500	1972 - 73	FD535			738

2000

2000	1965 - 68	FD29L			786
------	-----------	-------	--	--	-----

2000 & MK 2

2000 & MK 2	1968 - 72	FD525			786
-------------	-----------	-------	--	--	-----

2500 PI

2500 PI	1971 - 73	FD44L			786/787
2500 PI	1974 - 76	FD558			761

CHICANE 2.5 TC

CHICANE 2.5 TC	1973 - 78	FD558			761
----------------	-----------	-------	--	--	-----

HERALD 1250

HERALD 1250	1963 - 67	FD528			708
-------------	-----------	-------	--	--	-----

SPITFIRE MK2

SPITFIRE MK2	1965 - 68	FDB809			708
--------------	-----------	--------	--	--	-----

SPITFIRE MK3

SPITFIRE MK3	1969 - 71	FDB811			DRUM
--------------	-----------	--------	--	--	------

TR 3

TR 3	1961 - 63	FD525			DRUM
------	-----------	-------	--	--	------

TR 7 5 SPEED

TR 7 5 SPEED	1976 - 84	FDB824			DRUM
--------------	-----------	--------	--	--	------

VAUXHALL

VELOX

VELOX CRESTA 2.6	1964 - 65	FDB823			735
VELOX CRESTA 3.3	1966 - 68	FDB823			781

VICTOR

VICTOR VX4/90	1964 - 65	FDB823			785
VICTOR VX101	1965 - 68	FDB811			785

VISCOUNT

VISCOUNT	1966 - 69	FDB823			DRUM
----------	-----------	--------	--	--	------

VIVA

VIVA - ALTERNATE	1963 - 68	FD528			738
VIVA HV SL	1966 - 70	FDB885			738

APPLICATION GUIDE

	YEAR	DS	FRONT PAD	FRONT DISC	ALT NO.	DS	REAR PAD/SHOE	REAR DISC	ALT NO.
VIVA	1967 - 68		FDB811				738		
VIVA GT	1969 - 71		FD535				790		
VIVA HC	1970 - 72		FDB885				790		

VOLKSWAGEN

411 & 412

411 & 412	1969 - 74		FDB2				354		
-----------	-----------	--	------	--	--	--	-----	--	--

411 & 412 LE

411 & 412 LE	1972 - 74		FDB94				354		
--------------	-----------	--	-------	--	--	--	-----	--	--

BEETLE

1.8T	03/03 - on	✓	FDB1463			✓	FDB1083	DDF929-1	399
2.0 (ALL MODELS)	2000 - on	✓	FDB1398	DDF928-1	396	✓	FDB1083	DDF929-1	399

CADDY MPV

1.6 (ALL MODELS)	10/04 - on	✓	FDB1641				FDB1636		
1.9 TDI	10/04 - on	✓	FDB1641				FDB1636		

CITIGOLF

ALL MODELS	1983 - 84		FDB209	DDF103-1	242		489		
1.3 (ALL MODELS)	1984 - on		FDB419	DDF103-1	242		489		
1.3 SHUTTLE	1992 - 97		FDB419	DDF103-1	242		489		
1.3 CHICO	1996 - 2003		FDB419	DDF103-1	242		489		
1.3 SONIC	1998 - 01		FDB419	DDF103-1	242		489		
1.4I CHICO	1999 - on		FDB419	DDF103-1	242		489		
1.4I CITI.COM	2001 - on		FDB419	DDF103-1	242		489		
1.4I CITI RHYTHM	2005 - on	✓	FDB392	DDF175-1	243		489		
1.4I VELOCITI	2004 - on	✓	FDB392	DDF175-1	243		489		
1.6 (ALL MODELS)	1984 - on		FDB419	DDF103-1	242		489		
1.6 BLUES, CHICO, DECO	1996 - on		FDB419	DDF103-1	242		489		
1.6 SONIC	1998 - on		FDB419	DDF103-1	242		489		
1.6I LIFE, VELOCITI	1999 - on		FDB419	DDF103-1	242		489		
1.6I VELOCITI (WITH VENTED DISCS)	1999 - on	✓	FDB392	DDF175-1	243		489		
SPORT 1.8 (ALTERNATE FRONT DISC)	1988 - 1997	✓	FDB392	DDF207-1	255		489		
SPORT 1.8	1988 - 97	✓	FDB392	DDF175-1	243		489		
CTI 1.8 (ALTERNATE FRONT DISC)	1991 - 1997	✓	FDB392	DDF207-1	255		489		
CTI 1.8	1991 - 97	✓	FDB392				489		

EOS

2.0 FSI	2007 - on	✓	FDB1641				FDB1788		
2.0 TFSI	2007 - on	✓	FDB1641				FDB1636		

FOX

FOX - ALL MODELS	1988 - 95		FDB419	DDF103-1	242		489		
------------------	-----------	--	--------	----------	-----	--	-----	--	--

GOLF 1

ALL MODELS	1978 - 82		FDB128	DDF103-1	242		472		
ALL MODELS EXCEPT GTI	1982 - 84		FDB209	DDF103-1	242		489		
GTI	1982 - 85		FDB242	DDF175-1	243		489		

GOLF 2

ALL MODELS EXCEPT 1.8 GTI & 2.0 16V	1984 - 92		FDB419	DDF103-1	242		489		
1.6 ALL MODELS			FDB419						
1.8 GTI (8V)	1984 - 92	✓	FDB392	DDF175-1	243		FDB222		
1.8 GTI (8V) - ALTERNATIVE	1984 - 92	✓	FDB392	DDF175-1	243		FDB544		

APPLICATION GUIDE

	YEAR	DS	FRONT PAD	FRONT DISC	ALT NO.	DS	REAR PAD/SHOE	REAR DISC	ALT NO.
1.8 GTI (16V)	1986 - 90	✓	FDB392	DDF207-1	255		FDB544	DDF137-1	257
1.8 GTI (16V) - ALTERNATIVE	12/88 - 90		FDB1289				FDB544	DDF137-1	257
2.0 16V	1990 - 92		FDB413	DDF207-1	255		FDB544	DDF137-1	257
2.0 16V - ALTERNATIVE	1990 - 92	✓	FDB774				FDB544	DDF137-1	257

GOLF 3

1.8 CABRIO - TO CHASSIS NO 1V000000	1995 - on		FDB775				FDB544		
1.8 CABRIO - FROM CHASSIS NO 1V000001 >	1995 - 05/98	✓	FDB1312				FDB544		
1.8 CABRIO - FROM CHASSIS NO 1V000001 >	06/98 - on	✓	FDB1312	DDF207-1	255	✓	FDB1083		
2.0 CABRIO	1995 - 04/96	✓	FDB774				FDB544		
2.0 CABRIO	05/96 - 05/98	✓	FDB1312				FDB544		
2.0 CABRIO	06/98 - 01	✓	FDB1312	DDF207-1	255	✓	FDB1083		
GS, GSX, GTS (SOLID DISC)	1992 - 03/96		FDB419	DDF103-1	242		503		
GS, GSX, GTS (VENT DISC)	1992 - 03/96	✓	FDB392	DDF175-1	243		503		
GS, GSX, GTS	03/96 - 00	✓	FDB1312	DDF175-1	243		503		
GS, GSX, GTS (ALTERNATE)	03/96 - 00	✓	FDB774	DDF175-1	243		503		
GTI 2.0	1992 - 00	✓	FDB774	DDF207-1	255		FDB544	DDF1350-1	254
VR6 2.8	10/93 - 97		FDB951	DDF332-1	258		FDB544	DDF1350-1	254
VR6 2.8	1997 - 99		FDB969				FDB544	DDF1350-1	254

GOLF 4

1.6I (ALL MODELS) - WITHOUT WEAR SENSOR	1999 - 1999		FDB1094	DDF927-1	398	✓	FDB1083	DDF929-1	399
1.6I (ALL MODELS) - WITH WEAR SENSOR	2000 - 2004	✓	FDB1398	DDF927-1	398	✓	FDB1083	DDF929-1	399
1.6I ESTATE - WITH WEAR SENSOR	1999 - 2004	✓	FDB1398	DDF928-1	396	✓	FDB1083	DDF929-1	399
1.8 GTI - NO WEAR SENSOR	1999 - 1999		FDB969			✓	FDB1083	DDF929-1	399
1.8 GTI - WITH WEAR SENSOR	2000 - 2004	✓	FDB1463			✓	FDB1083	DDF929-1	399
1.8 GTI R TURBO (132 KW)	03/03 - on	✓	FDB1463			✓	FDB1083	DDF929-1	399
1.9 TDI - NO WEAR SENSOR	1999 - 1999		FDB1094			✓	FDB1083	DDF929-1	399
1.9 TDI - WITH WEAR SENSOR	2000 - 2004	✓	FDB1398			✓	FDB1083	DDF929-1	399
1.9 TDI ESTATE - WITH WEAR SENSOR	1999 - 2004	✓	FDB1398	DDF928-1	396	✓	FDB1083	DDF929-1	399
2.0I (ALL MODELS) - WITHOUT WEAR SENSOR	1999 - 1999		FDB1094	DDF928-1	396	✓	FDB1083	DDF929-1	399
2.0I (ALL MODELS) - WITH WEAR SENSOR	2000 - 2004	✓	FDB1398	DDF928-1	396	✓	FDB1083	DDF929-1	399

GOLF 5

1.6 COMFORTLINE, TRENDLINE	2004 - on		FDB1635	DDF1223-1			FDB1637		
1.9 TDI COMFORTLINE	2004 - on		FDB1635				FDB1637		
2.0 COMFORTLINE, TRENDLINE	2005 - on		FDB1635				FDB1637		
2.0 FSI, 2.0 TDI SPORTLINE	2004 - on	✓	FDB1641				FDB1636		
2.0 GTI	2005 - on	✓	FDB1641				FDB1636		

JETTA 1

ALL MODELS	1979 - 82		FDB128	DDF103-1	242		489		
ALL MODELS EXCEPT CLI	1982 - 84		FDB209	DDF103-1	242		489		
CLI	1982 - 84		FDB242	DDF175-1			489		

JETTA 2

ALL MODELS EXCEPT 1.8 CLI, CSI & 16V	1984 - 92		FDB419	DDF103-1	242		489		
1.8 CLI	1984 - 87	✓	FDB392	DDF175-1	243		FDB222		
1.8 CLI - ALTERNATE	1984 - 87	✓	FDB392	DDF175-1	243		FDB544		
1.8 CLI & 16V	1987 - 92	✓	FDB392	DDF175-1	243		FDB544		
1.8 CSI	1990 - 92	✓	FDB392	DDF175-1	243		FDB544		
2.0 16V	1990 - 92		FDB413	DDF207-1	255		FDB544	DDF139-1	257
2.0 16V - ALTERNATE	1990 - 92	✓	FDB774				FDB544	DDF139-1	257

JETTA 3

CLX, CSL, CSX (WITH SOLID DISC)	1992 - 03/96		FDB419	DDF103-1	242		503		
CLX, CSL, CSX (WITH VENT DISC)	1992 - 03/96	✓	FDB392	DDF175-1	243		503		

APPLICATION GUIDE

	YEAR	DS	FRONT PAD	FRONT DISC	ALT NO.	DS	REAR PAD/SHOE	REAR DISC	ALT NO.
CLX, CSL, CSX	03/96 - 00	✓	FDB1312	DDF175-1	243		503		
CLX, CSL, CSX (ALTERNATE)	03/96 - 00	✓	FDB774				503	DDF175-1	243
CLI 2.0	1992 - 99	✓	FDB774	DDF207-1	255		FDB222		
CLI 2.0 - ALTERNATE	1992 - 99	✓	FDB774	DDF207-1	255		FDB544	DDF1350-1	254
VR6 2.8 EXEC	10/93 - 97		FDB951	DDF332-1	258		FDB544	DDF1350-1	254
VR6 2.8 EXEC	1997 - 00		FDB969				FDB544		
JETTA 4									
1.6I (ALL MODELS) - WITHOUT WEAR SENSOR	1999 - 1999		FDB1094	DDF927-1	398	✓	FDB1083	DDF929-1	399
1.6I (ALL MODELS) - WITH WEAR SENSOR	2000 - 2005	✓	FDB1398	DDF927-1	398	✓	FDB1083	DDF039-1	399
1.8 TURBO R (132 KW)	05/03 - on	✓	FDB1463			✓	FDB1083Q		
1.9 TDI - NO WEAR SENSOR	1999 - 1999		FDB1094			✓	FDB1083	DDF929-1	399
1.9 TDI - WITH WEAR SENSOR	2000 - 2005	✓	FDB1398			✓	FDB1083	DDF929-1	399
2.0I (ALL MODELS) - WITHOUT WEAR SENSOR	1999 - 1999		FDB1094	DDF928-1	396	✓	FDB1083	DDF929-1	399
2.0I (ALL MODELS) - WITH WEAR SENSOR	2000 - 2005	✓	FDB1398	DDF928-1	396	✓	FDB1083	DDF929-1	399
2.3 V5 - NO WEAR SENSOR	1999 - 1999		FDB969			✓	FDB1083	DDF929-1	399
2.3 V5 - WITH WEAR SENSOR	2000 - 2005	✓	FDB1463			✓	FDB1083	DDF929-1	399
JETTA 5									
1.6 COMFORTLINE, TRENDLINE	2006 - on		FDB1635				FDB1637		
1.9 TDI COMFORTLINE	2006 - on		FDB1635				FDB1637		
2.0 COMFORTLINE, TRENDLINE	2006 - on		FDB1635				FDB1637		
2.0 FSI (ALL MODELS)	2006 - on	✓	FDB1641				FDB1636		
2.0 TDI (ALL MODELS)	2006 - on	✓	FDB1641				FDB1636		
PASSAT									
ALL MODELS - AUTOMATIC	1974 - 82		FDB128				453		
ALL MODELS - MANUAL	1974 - 82		FDB105				453		
ALL MODELS EXCEPT CLI	1982 - 84		FDB209				503		
ALL MODELS EXCEPT CLI	1984 - 88		FDB419				503		
ALL 5 CYL MODELS WITH VENT DISCS EXCEPT CLI	1983 - 87	✓	FDB392	DDF175-1	243		489		
CLI	1982 - 84		FDB242				489		
CLI	1984 - 88		FDB413	DDF207-1	255		FDB222		
PASSAT SEDAN, VARIANT & FASTBACK 1600	1966 - 69		FDB3				354		
1.8 TURBO - ATE CALIPER - NO WEAR SENSOR	1998 - on		FDB1167			✓	FDB1083		
1.8 TURBO - ATE CALIPER - WITH WEAR SENSOR	1998 - on	✓	FDB1323			✓	FDB1083		
1.8 TURBO - LUCAS CALIPER - WITH WEAR SENSOR	1998 - on		FDB1451			✓	FDB1083		
1.9 TDI	2003 - 2005	✓	FDB1323			✓	FDB1083		
1.9 TDI	2005 - on		FDB1765				FDB1636		
1.9 TDI - ALTERNATE	2005 - on	✓	FDB1641				FDB1636		
2.0 FSI (ALL MODELS)	2005 - on		FDB1765				FDB1636		
2.0 FSI (ALL MODELS) - ALTERNATE	2005 - on	✓	FDB1641				FDB1636		
2.0 TDI (ALL MODELS)	2005 - on		FDB1765				FDB1636		
2.0 TDI (ALL MODELS) - ALTERNATE	2005 - on	✓	FDB1641				FDB1636		
2.0T FSI	2006 - on		FDB1765				FDB1636		
2.0T FSI - ALTERNATE	2006 - on	✓	FDB1641				FDB1636		
2.3 V5	04/02 - on	✓	FDB1323			✓	FDB1083		
2.8 VR6, 2.8 V6 - ATE CALIPER - NO WEAR SENSOR	1998 - on		FDB1167	DDF320-1	385	✓	FDB1083		
2.8 VR6, 2.8 V6 - ATE CALIPER - WITH WEAR SENSOR	1998 - on	✓	FDB1323	DDF320-1	385	✓	FDB1083		
3.2 V6	2006 - on		FDB1765				FDB1636		
3.2 V6 - ALTERNATE	2006 - on	✓	FDB1641				FDB1636		
PASSAT CC	03/05 - on		FDB4192						
POLO CLASSIC I									
1.4I - WITH SOLID DISC	10/96 - 01/97		FDB1054	DDF103-1	242		489		
1.4I - WITH VENT DISC	97 - 09/02	✓	FDB1288	DDF175-1	243		489		
1.6I	96 - 09/02	✓	FDB1312	DDF207-1	255		503		

APPLICATION GUIDE

	YEAR	DS	FRONT PAD	FRONT DISC	ALT NO.	DS	REAR PAD/SHOE	REAR DISC	ALT NO.
1.6I - ALTERNATE	96 - 09/02	✓	FDB774	DDF207-1	255		489		
1.6I LUX , 1.8I LUX	96 - 09/02	✓	FDB1312	DDF207-1	255		503		
1.6I LUX , 1.8I LUX - ALTERNATE	96 - 09/02	✓	FDB774	DDF207-1	255		503		
POLO CLASSIC II									
1.4, 1.4 TDI, 1.6 (MODELS WITH WEAR SENSOR)	10/02 - on	✓	FDB1398	DDF927-1	398		FDB1788		
1.4, 1.4 TDI, 1.6 (MODELS WITHOUT WEAR SENSOR)	10/02 - on		FDB1094	DDF927-1	398		FDB1788		
1.9 TDI (77KW)	11/04 - on	✓	FDB1398				FDB1637		
2.0	10/04 - on		FDB1662				FDB1637		
POLO HATCH									
1.4, 1.4 TDI, 1.6 (MODELS WITH WEAR SENSOR)	10/02 - on	✓	FDB1398	DDF927-1	398		FDB1788		
1.4, 1.4 TDI, 1.6 (MODELS WITHOUT WEAR SENSOR)	10/02 - on		FDB1094	DDF927-1	398		FDB1788		
1.8T GTI	2006 - on		FDB1662				FDB1637		
1.9 TDI (77KW)	10/02 - on	✓	FDB1398	DDF927-1	398		FDB1637		
1.9 TDI SPORTLINE (96KW)	10/04 - on		FDB1662				FDB1637		
2.0	10/04 - on		FDB1662				FDB1637		
POLO PLAYA									
1.4I	1998 - 2002	✓	FDB1288	DDF175-1	243		489		
1.6I	1998 - 2002	✓	FDB1312	DDF207-1	255		503		
1.6I - ALTERNATE	1998 - 2002	✓	FDB774	DDF207-1	255		503		
1.8I	1999 - 2002	✓	FDB1312	DDF207-1	255		503		
1.8I - ALTERNATE	1999 - 2002	✓	FDB774	DDF207-1	255		503		
SHARAN									
1.8 TURBO, 2.8 VR6	98 - 04/00		FDB1055			✓	FDB1083		
1.8 TURBO - ALTERNATE	05/00 - on		FDB1496				FDB1482		
1.8 TURBO	98 - 04/00		FDB1496				FDB1481		
1.9 TDI	05/03 - on		FDB1654				FDB1482		
2.8 VR6	05/03 - on		FVR1497				FDB1482		
TIGUAN									
TIGUAN 1.4 ALL MODELS	09/07 - on		FDB4057				FDB4058		
TIGUAN 2.0 ALL MODELS	09/07 - on		FDB4057				FDB4058		
TOUAREG									
2.5 R5 TDI (17" WHEEL)	03/04 - on		FDB1625				FDB1460		
3.0 V6 TDI	11/06 - on		FDB1877				FDB1878		
3.2 V6	11/06 - on		FDB1877				FDB1878		
5.0 V10 TDI (18" WHEEL)	03/04 - on		FDB1626				FDB1627		
TOURAN									
1.9 TDI	2004 - on	✓	FDB1641				FDB1636		
2.0 FSI	2004 - on	✓	FDB1641				FDB1636		
2.0 TDI	2004 - on	✓	FDB1641				FDB1636		
VOLKSWAGEN COMMERCIAL									
CADDY PANEL VAN									
1.6I (ALL MODELS)	2005 - on	✓	FDB1641				FDB1636		
1.9 TDI (ALL MODELS)	2005 - on	✓	FDB1641				FDB1636		
2.0 SDI	2005 - on	✓	FDB1641				FDB1636		
CARAVELLE									
1.9	1990 - 93		FDB517	DDF542-1	256		496		
2.1I	1987 - 90		FDB884	DDF057-1	240		496		

APPLICATION GUIDE

	YEAR	DS	FRONT PAD	FRONT DISC	ALT NO.	DS	REAR PAD/SHOE	REAR DISC	ALT NO.
2.11	1990 - 93		FDB517	DDF542-1	256		496		
2.51	1991 - 94		FDB517	DDF542-1	256		496		
2.51	04/94 - 96		FDB579/1				496		
2.61	1995 - 02		FDB579/1				496		
T4 2.5 TDI	1999 - 2004		FVR1131				FVR1132		
T4 2.5 TDI (ALTERNATE 1)	1999 - 2004		FVR970				FVR1132		
T4 2.5 TDI (ALTERNATE 2)	1999 - 2004		FVR1163				FVR1132		
T4 2.5 Tdi (ALTERNATE 3)	1999 - 2004		FVR1518				FDB1482		
T4 2.5 TDI-(16" WHEEL OPTION)	1999 - 2004		FVR1484				FVR1132		
T4 2.8 VR6, V6	1999 - on		FVR1131				FDB1132		
T4 2.8 VR6, V6 (ALTERNATE 1)	1999 - on		FVR970				FDB1132		
T4 2.8 VR6, V6 (ALTERNATE 2)	1999 - on		FVR1163				FDB1132		
T5 2.5 TDI - (96KW - 16" WHEELS)	2004 - on		FVR1643				FDB1482		
T5 2.5 TDI - (128KW - 17" WHEELS)	2004 - on		FVR1642				FDB1482		
T5 2.5 TDI - 4-MOTION	2004 - on		FVR1643				FVR1644		
T5 3.2 V6	2004 - on		FVR1643				FVR1644		
CARAVELLE									
3.6 ALL MODELS	2006- on		FDB1778				FDB1780		
5T ALL MODELS	2006- on		FDB1779				FDB1777		
GOLF P/UP									
GOLF PICK UP (ALL MODELS)	1982 - 84		FDB209	DDF103-1	242		489/503		
GOLF PICK UP (ALL MODELS)	1985 - 2005		FDB419	DDF103-1	242		503		
GOLF CADDY (ALL MODELS) - WITH SOLID DISC	1992 - 2005		FDB419	DDF103-1	242		503		
GOLF CADDY(ALL MODELS) - WITH VENT DISC	1992 - 2005	✓	FDB392	DDF175-1	243		503		
KOMBI									
ALL MODELS	1969 - 73		FDB11						
ALL MODELS	1973 - 79		FDB84				450		
ALL MODELS	1979 - 90		FDB84	DDF057-1	240		496		
1.8 BUS & PANEL VAN	1989 - 1993		FDB517	DDF542-1	256		496		
TRANSPORTER PANEL VAN	1986 - 90		FDB84	DDF542-1	256		496		
T5 1.9 TDI, 2.5 TDI	2004 - on		FVR1643				FDB1482		
LT PANEL VAN									
LT 35	11/03 - on		FVR1038				FVR1306		
LT 46	11/03 - on		FVR1043				FVR1043		
MICROBUS									
1.8	1995 - on		FDB579/1						
1.9	1983 - 89		FDB84	DDF057-1	240		496		
2.11	1985 - 91		FDB84	DDF057-1	240		496		
2.11 SYNCHRO	1989 - 93		FDB517	DDF542-1	256		496		
2.31	1995 - on		FDB579/1				496		
2.51	1991 - 95		FDB517	DDF542-1	256		496		
2.61	1994 - on		FDB579/1				496		
TRANSPORTER									
T5 1.9 TDI (ALL MODELS)	2007 - on		FVR1643				FVR1644		
T5 2.5 TDI (ALL MODELS)	2005 - on		FVR1643				FVR1644		
T5 3.2 V6 (ALL MODELS)	2005 - on		FVR1643				FVR1644		

VOLVO

122S

122S, AMAZON, B18

1963 - 67

FDB9

352

APPLICATION GUIDE

YEAR
DS
**FRONT
PAD**
**FRONT
DISC**
**ALT
NO.**
DS
**REAR
PAD/SHOE**
**REAR
DISC**
**ALT
NO.**

144 - 164

144S	1968 - 72	FD545		FD546
144 & 164 - TEVES SYSTEM	1972 - 76	FDB62		FDB2
144 & 164 - GIRLING SYSTEM	1973 - 76	FDB813		FD546

850

GLT SEDAN	1994 - on	FDB681		FDB2
GLT SPORTWAGON	1994 - on	FDB681		FDB2
GLT TURBO	1994 - on	FDB681		FDB2

960

3.0 (ALL MODELS)	1994 - 00	FDB1024		FDB676
3.0 (ALL MODELS) - ALTERNATE	1994 - 00	FDB1024		FDB2

C30

2.0	2007 - on	FDB1594		FDB1675
2.5 T5	2007 - on	FDB1706		FDB1675

C70/S70/V70

C70 COUPE	1997 - on	FDB681		FDB2
S70 SEDAN, V70 ESTATE (ALL MODELS)	1997 - on	FDB681		FDB2
S70 SEDAN, V70 ESTATE (ALL MODELS)	2000 - on	FDB1382		FDB1383
V70 XC 2.4T	00 - 04	FDB1382		FDB1383
V70 XC 2.5T	2003 - on	FDB1382		FDB1383

S40/V40

S40 1.8	2005 - on	FDB1594	DDF1649-1	FDB1675
S40 2.0	2006 - on	FDB1594		FDB1931
S40 2.0D	2005 - on	FDB1594		FDB1931
S40 2.4I	05/04 - on	FDB1594		FDB1931
S40 D5 2.4	2006 - 2007	TBA		FDB1931
S40 SEDAN, V40 ESTATE (ALL MODELS)	07/97 - on	FDB1384		FDB1095
S40 SEDAN, V40 ESTATE (ALL MODELS)	1996 - 06/97	FDB1093		FDB1095
S40 T5	05/04 - on	FDB1706		FDB1931

S60

ALL MODELS	2000 - on	FDB1382		FDB1383
S60 2.0T	02/04 - on	FDB1382		FDB1383
XC60	05/2008 - on	FDB4238		FDB4237

S80

S80 (ALL MODELS)	1999 - on	FDB1382		FDB1383
S80 (ALL MODELS) - FACE LIFT	02/04 - on	FDB1382		FDB1383

S90/V90/XC90

S90 SEDAN, V90 ESTATE (ALL MODELS)	1997 - on	FDB1024		FDB676
XC90 2.5T	2004 - on	FDB1382		FDB1632
XC90 2.5T - ALTERNATE	2004 - on	FDB1631		FDB1632
XC90 2.9 T6	2003 - on	FDB1382		FDB1632
XC90 2.9 T6 - ALTERNATE	2003 - on	FDB1631		FDB1632
XC90 3.2	2007 - on	FDB1631		FDB1632
XC90 4.4 V8 (ALL MODELS)	2006 - on	FDB1631		FDB1632
XC90 D5 2.4 (ALL MODELS)	2004 - on	FDB1382		FDB1632
XC90 D5 2.4 (ALL MODELS) - ALTERNATE	2004 - on	FDB1631		FDB1632

APPLICATION GUIDE

YEAR

DS

FRONT
PAD

FRONT
DISC

ALT
NO.

DS

REAR
PAD/SHOE

REAR
DISC

ALT
NO.

V50

1.8	2005 - on	FDB1594	FDB1931
2.0, 2.0D (ALL MODELS)	2005 - on	FDB1594	FDB1931
2.4 D5	2006 - on		FDB1931
2.4i (ALL MODELS)	2004 - on	FDB1594	FDB1931
2.5 T5 (ALL MODELS)	2004 - on	FDB1706	FDB1931

SPECIFICATIONS – PADS

PART No.	wva	Length	Width	Thick	System	Wear Indicator	Clip	Bolt	Pin	Spring
FDB100	20307	36	39.5	9	CIT	-	-	-	-	-
FDB1000	21801	130	59	19	LUC	4M	-	4	-	-
FDB1001	21484	195	74	20	ATE	-	-	-	-	-
FDB1002	23003	140	69	19	BDX	2L	-	-	-	-
FDB1003	21275	123	43	17	ATE	2L	-	-	-	-
FDB1009	21952	125	45	15.6	AKE	2M	-	-	-	-
FDB101	20292	109	53	17	BDX	2L	-	-	-	-
FDB1010		108	40.5	13	AKE	-	-	-	-	-
FDB1011	23354	110	61	13	SUM	2L	-	-	4	2
FDB1012	23387	102	44	12.5	AKE	-	-	-	-	-
FDB1013	21872	99	38	14.2	AKE	2M	-	-	-	-
FDB1015	21845	138	57	16.5	AKE	2M	-	-	-	-
FDB1017	21875	110	43	15.8	AKE	2M	-	-	-	-
FDB1019		112/98	39	14.5	SUM	-	-	-	-	-
FDB102	20293	109	49	12	BDX	-	-	-	-	4
FDB1020	21907	117	46	15.5	AKE	2M	-	-	-	-
FDB1021	21947	117	44	15.5	AKE	-	-	-	-	-
FDB1024	20164	128	67	17.5	LUC	4M	-	-	-	-
FDB1025	21571	142	60	16	AKE	2M	-	-	-	-
FDB1029		115	46	16	SUM	2M	-	-	-	-
FDB1030		112	45	14.5	AKE	-	-	-	-	-
FDB1033	21770	138	39	14.5	AKE	2M	-	-	-	-
FDB1034	21892	165/171	50/65	16/18	KEL	2M	-	-	-	-
FDB1035		100	59	15.4	GM	-	-	-	-	-
FDB1037	21153	100	74	16	ATE	-	-	-	-	-
FDB1038	21576	156	65	19	ATE	-	-	-	-	-
FDB1040	21930	151	50	17	ATE	1M	-	-	-	-
FDB1044	21278	64	57.4	17	ATE	2M	-	-	-	-
FDB1049	21664	152	60/66.2	19	ATE	-	-	-	-	-
FDB105	20228	62	57	15.3	ATE	-	-	-	-	-
FDB1050	21670	157	66.9/69.5	19.5	ATE	-	-	-	-	-
FDB1052	21636	156	58/63	18	ATE	2M	-	-	-	-
FDB1054	21866	142	48/51	19.7	ATE	-	-	-	-	-
FDB1055	21848	156	74	19.7/20.6	ATE	-	-	-	-	-
FDB1056	21927	156	52.5	17	ATE	1M	-	-	-	-
FDB106	20347	109	49	15	BDX	-	-	-	-	-
FDB1062	21724	130	52	18.5	LUC	4M	-	4	-	-
FDB1063	21674	130	57	18	LUC	4M	-	4	-	-
FDB1067	21862	157	52	17.5	ATE	-	-	-	-	-
FDB1068	21828	154	74	19.5	ATE	-	-	-	-	-
FDB1069	23146	130	72	17	BDX	4L	-	-	-	-
FDB1070	23161	83	75	15.3	CIT	-	-	-	-	-
FDB1071		131	73	17.4	BDX	2L	-	-	-	-
FDB1072	20887	140	55	17.3	KEL	-	-	-	-	-
FDB1073	21676	157	63.5	19.5	ATE	-	-	-	-	-
FDB1075	21691	122/123	45	16.4	ATE	-	-	-	-	-
FDB1081	23103	151	47	18	ATE	-	-	-	-	-
FDB1082	23101	141	45	18	ATE	-	-	-	-	-
FDB1083	20961	87	53	17	LUC	-	-	4	-	-
FDB1091	23004	109	48	16	AKE	2M	-	-	-	-
FDB1092	23080	119	68.5	15.8	LUC	1L	-	4	-	-
FDB1093	21920	130	72.8	15.6/14.8	LUC	2L	-	2	-	-
FDB1094	23130	146	54.7	19.7	ATE	-	-	-	-	-
FDB1095	21861	87	47	15.2	LUC	2L	-	-	-	-
FDB1096	23093	124.5	57	16.5	LUC	-	-	4	-	-

SPECIFICATIONS – PADS

PART No.	wva	Length	Width	Thick	System	Wear Indicator	Clip	Bolt	Pin	Spring
FDB1097	23740	165	43	16.2	KEL	-	-	-	-	-
FDB1098	23043	165	52	16	KEL	-	-	-	-	-
FDB1099	23561	134	39.7	17	KEL	-	-	-	-	-
FDB11	20011	77	70	15	ATE	-	-	-	-	-
FDB1100	23400	112	47	15	SUM	2M	-	-	-	-
FDB1101	21866	142	51	17.3	ATE	-	-	-	-	-
FDB1103	23005	109	47.7	16	SUM	2M	-	-	-	-
FDB1104	21713	105.2	46.8	16.5	SUM	1LH/1RH	-	-	-	-
FDB1108	23061	109	38.8	14	MAN	-	-	-	-	-
FDB1109	21857	72	61	16.5	ATE	-	-	-	-	-
FDB1112	23124	130	56	19	LUC	4M	-	4	-	-
FDB1113	23177	87	44.5	14.3/14.7	LUC	-	-	4	-	-
FDB1114	23135	169	62	18	BOSCH	4L	-	2	-	-
FDB1116	23234	143	49	17	AKE	2M	-	-	-	-
FDB1117	21050	62	61	15.6	ATE	-	-	-	4	2
FDB112	20563	109	46	14.4	AKE	-	-	-	-	-
FDB1121		151	49	18	ATE	2M	-	-	-	-
FDB1124	21888	130	64	18	LUC	2M	-	4	-	-
FDB1125	23450	152	52	17.5	ATE	2M	-	-	-	-
FDB1129	23472	154	60	17.5	WAG	2M	-	-	-	-
FDB113	20140	109	49	15	BDX	2L	-	-	-	-
FDB1130	23627	140	47	15.4	KEL	2M	-	-	-	-
FDB1134	23140	155/156	59/63.5	19.3	ATE	2M	-	-	-	-
FDB1135	21980	131	47.5	18	BOSCH	1L	-	2	-	-
FDB1137	21927	156	52.5/53	17	ATE	2M	-	-	-	-
FDB1139	20162	54	65	15.4	CIT	-	-	-	-	-
FDB114	20336	109	49	14	BDX	2L	-	-	-	-
FDB1156	23230	170	50	16	LUC	2M	-	-	-	-
FDB1157	23242	114	56	14.6	LUC	2M	-	-	-	-
FDB116	20323	78	66	16.5	ATE	-	-	-	-	-
FDB1160	21930	152	52	17	ATE	-	-	-	-	-
FDB1162	21998	90	70	15.6	BOSCH	2M	-	4	-	-
FDB1166	23502	121/131	50	16	AKE	2M	-	-	-	-
FDB1167	21624	157	74	19.5	ATE	-	-	-	-	-
FDB1168	21430	142	47.5	17	ATE	-	-	-	-	-
FDB1169	21440	194	61.3	18.2	ATE	-	2	-	-	-
FDB11X	20011	77	70	15	ATE	-	-	-	-	-
FDB122	20485	63	52	14	TOK	-	-	-	-	-
FDB123	20373	78	59	18.5	ATE	-	-	-	-	-
FDB1254	23318	177	46.7	15.4	KEL	-	-	-	-	-
FDB126	20356	99	82	15.5	CIT	4M	-	-	-	-
FDB1263	23420	159	56	16.75	AKE	4M	-	-	-	-
FDB1264	23361	108	41	14.5	AKE	2M	-	-	-	-
FDB1265	23358	148	61.8	19	WAG	2M	-	-	-	-
FDB1267	21822	177	55	17.2	KEL	-	-	-	-	-
FDB1276	23300	131	58	19	BDX	4M	-	-	-	2
FDB1278	21965	126	63.23	14.6	BRE	-	-	-	-	-
FDB128	20228	62	57	18.5	ATE	-	-	-	-	-
FDB1282	20323	78	66	14.4	ATE	-	-	-	-	-
FDB1284		78	67.3	15.3	LKD	-	-	-	-	-
FDB1285	21273	156	58	19.3	ATE	-	-	-	-	-
FDB1288	21866	142	48/51	15.3	ATE	-	-	-	-	-
FDB1289	21945	119	69	19.9	LUC	-	-	4	-	-
FDB1291	21515	129	68.6	17.5	LUC	-	-	2	-	-
FDB1293	23063	178/160	62.5/63	18.4	ATE	4M	-	-	-	-

SPECIFICATIONS – PADS

PART No.	wva	Length	Width	Thick	System	Wear Indicator	Clip	Bolt	Pin	Spring
FDB1294	23052	105	42.9	16.2	BOSCH	2M	-	-	-	-
FDB1295	21991	157/155	79.5/72	19.5/2	ATE	2M	-	-	-	-
FDB1296		111	70	16	LKD	-	-	-	-	-
FDB1297	20676	157	74	19.5/20.4	ATE	2M	-	-	-	-
FDB1299	21637	156/155	58/63	18.5	ATE	2M	-	-	-	-
FDB130	20373	78	59	15	ATE	-	-	-	-	-
FDB1300	21925	150	57.5	17.8	ATE	-	-	-	-	4
FDB1301	21934	123	43.7	17.3	ATE	-	-	-	-	-
FDB1303	23070	117	57.4	16.75	LUC	-	-	2	-	4
FDB1304	23022	135	66	20.6	BOSCH	-	-	-	-	-
FDB1305	23020	104	53	17.9	BOSCH	-	-	-	-	-
FDB1307	21937	114	78	16.2	BRE	-	-	-	-	-
FDB1308	21792	112.3	73	15.2	BRE	-	-	-	-	-
FDB1310	21900	64	62.9	15.5	ATE	-	-	-	-	-
FDB1311	21919	64	72.95	15.3	ATE	-	-	-	-	-
FDB1312	21945	119	69	16	LUC	-	-	4	-	-
FDB1318	23154	178	60.8	19	ATE	-	-	-	-	-
FDB1319	23353	87	42.6	14.7	LUC	-	-	4	-	-
FDB1321	21975	157	55	18	ATE	2M	-	-	-	-
FDB1322	21898	64	78	15.5	ATE	-	-	-	-	-
FDB1323	20676	156	71	20.4	ATE	2M	-	-	-	-
FDB1324	23601	96	43.9	13.7	LUC	-	-	-	-	-
FDB1325	23671	104	60	17.3	LUC	-	-	2	-	-
FDB1326	23238	105	41.7	16.1	MAN	2M	-	-	-	-
FDB1327	23558	137.6	59.7	17.8	AKE	-	-	-	-	-
FDB1333	23572	108.3	41.5	14.4	AKE	-	-	-	-	-
FDB1334	23092	132	77.2	16	BRE	2M	-	-	-	-
FDB1336	23237	114	55	14.4	LUC	-	-	-	-	-
FDB1337	23241	127	49.5	16	AKE	-	-	-	-	-
FDB1349	23517	96	43.9	16.6	LUC	-	-	-	-	-
FDB1355	23112	157	67.4	18.8	ATE	-	-	-	-	-
FDB1356	23070	117	56.5	19.4	LUC	1L	-	2	-	4
FDB1357	23070	117	57.4	16.75	LUC	-	-	2	-	4
FDB1368	23348	112	46.3	16.5	AKE	-	-	-	-	-
FDB1369	23234	143	49	17	AKE	-	-	-	-	-
FDB1370	23396	131	51.2	18	BOSCH	-	4+4	2	-	-
FDB1376	23552	150	52.5	17.8	ATE	-	2	-	-	-
FDB1377	20907	150	52.5	17.8	ATE	2M	-	-	-	-
FDB1378	23597	131	47.5	18	BOSCH	-	-	-	-	-
FDB1379	23753	110	70	17.7	BRE	4M	-	-	-	-
FDB1380	23557	117	52	16.9	BOSCH	-	-	-	-	-
FDB1382	23073	157	69	18.8	ATE	-	-	-	-	-
FDB1383	23075	124	53.7	16.4	ATE	-	-	-	-	-
FDB1384	21983	130	78.2	17.3	LUC	4	-	2	-	4
FDB1385	23546	104	53.5	16.5	DEL	-	-	-	-	-
FDB1391	23088	132	54	18	AKE	2M	-	-	-	-
FDB1392	23510	116	51	17	AKE	2M	-	-	-	-
FDB1393	23200	151	54.5	18.5	ATE	-	-	-	-	-
FDB1394	23202	152	61.5	18.5	ATE	-	-	-	-	-
FDB1395	23521	78	52	13.8	AKE	2M	-	-	-	-
FDB1398	23130	146	54.7	19.7	ATE	1M	-	-	-	-
FDB1399	23599	137	50.8	19	BOSCH	-	-	2	-	8
FDB140	20378	122	58	18.5	LUC	2M	-	-	-	-
FDB1400	23193	188	77	15.4/16.4	KEL	1M	-	-	-	-
FDB1401	23189	140	50	16.5	KEL	2M	-	-	-	-

SPECIFICATIONS – PADS

PART No.	wva	Length	Width	Thick	System	Wear Indicator	Clip	Bolt	Pin	Spring
FDB1407	23762	155	72.8	19.3	ATE	2M	2	-	-	-
FDB1408	23326	116	58.8	17.5	TRW	2M	-	2	-	4
FDB1409	23934	123	54.2	18.15	BOSCH	-	-	-	-	4
FDB141	20377	88	54	16.5	LUC	-	-	-	-	-
FDB1410	23276	149	49.5	17.2	BOSCH	-	-	-	-	-
FDB1411	23277	149	59	17.6	BOSCH	4L	-	-	-	4
FDB1412	23273	169	61.3	17.8	BOSCH	4L	-	-	-	-
FDB1413	23305	73	70.6	15.2	CIT	-	-	-	-	-
FDB1414	23743	137	68.5	20.3	BOSCH	2	4	2	-	-
FDB1415	21278	64	57	16	ATE	-	-	-	-	-
FDB1416	23557	117	49.7	16.8	BOSCH	-	-	4	-	-
FDB1419	23581	132	62.3	18.7	TRW	-	-	-	4	-
FDB142	20454	90	71	19	ATE	2M	-	-	-	-
FDB1420	23172	129	55	18.15	LUC	-	-	4	-	-
FDB1421	23662	106	50	15	ATE	2L	-	-	-	-
FDB1422	23290	138	55	15.8	AKE	2M	-	-	-	-
FDB1423	23253	130	43	15.5	BOSCH	2M	-	2	-	-
FDB1424	23225	132	51.4	17	TRW	2M	2	-	4	-
FDB1425	23279	149	61	18.3	BOSCH	-	-	-	-	-
FDB1426	23271	120	71.4	17.7	BRE	-	-	-	-	-
FDB1427	23078	71	68.8	15.9	ATE	-	-	-	-	-
FDB1428	23144	132	69.8/62.05	19.5	TRW	-	4	2	-	-
FDB1429	23144	132	69.8/62.05	19.5	TRW	-	-	2	-	4
FDB143	20392	90	74	15	ATE	-	-	-	-	-
FDB1433	21854	119	70	14.2	SUM	2	-	-	-	-
FDB1434	23086	151	48.8	17	SUM	-	-	-	-	-
FDB1437	23513	117	59	16.8	AKE	-	-	-	-	-
FDB1439	23094	132	58.3	17	LUC	2M	-	-	-	-
FDB144		183/197	63/66	13.5/14.8	KEL	-	-	-	-	-
FDB1440	23215	156	66.3	18.3	ATE	-	-	-	-	2
FDB1441	23245	156	67.9/70.8	18.3	ATE	-	-	-	-	2
FDB1442	23532	124	64.8	20	TRW	2M	-	-	-	2
FDB1444	23178	135	52	16.6	SUM	2M	-	-	-	-
FDB1445	23515	139	60.2	16.7	SUM	-	-	-	-	-
FDB1446	21569	117	42.5	15.5/16.5	AKE	2M	-	-	-	-
FDB1447	23996	156.3	67.8/70.8	18.3	ATE	2M	-	-	-	-
FDB1448	21445	119	65/74.5	14.8	AKE	2M	-	-	-	-
FDB1451	21945	117	70	19.1	LUC	1M	-	-	-	-
FDB1454	23024	100	40	15	AKE	2M	-	-	-	-
FDB1455	23490	123	51.8	16	SUM	2L	-	-	-	-
FDB1456	23524	119	78	17.1	SUM	2LH/2RH	-	-	-	-
FDB1457	23539	123	45.2	17.5	SUM	-	-	-	-	-
FDB1458	23294	116	55	16.4	AKE	-	-	-	-	-
FDB1459	23046	131	44.5	15.3	BOSCH	2M	-	-	-	-
FDB1460	23467	141	54	18.5	ATE	2	-	-	-	-
FDB1463	20676	156	74	20.2	ATE	1M	-	-	-	-
FDB1466	23705	123	53.4	17.1	BOSCH	1M	-	4	-	-
FDB1467	23708	137	57.3	18.4	BOSCH	1M	-	4	-	-
FDB1468	23711	151	57.3	18.4	BOSCH	1M	-	4	-	-
FDB1469	23714	95	42.9	15.8	BOSCH	-	-	-	-	-
FDB1470	23761	147	59.5	18.3	TRW	2L	-	-	-	2
FDB1471	23760	117	47.5	16.9	LUC	-	-	-	-	-
FDB1472	23284	96	43.8	13.9	TRW	2M	-	2	4	-
FDB1473	23615	132	62.1	18.4	TRW	-	4	-	4	-
FDB1474	23807	173	72.1	18.8	ATE	-	2	-	2	-

SPECIFICATIONS – PADS

PART No.	wva	Length	Width	Thick	System	Wear Indicator	Clip	Bolt	Pin	Spring
FDB1475	24036	155.6	50.7	16	KEL	-	-	-	-	-
FDB1476	23600	137	57.4	19.3	BOSCH	-	-	4	-	-
FDB1477	23346	130	56	19	LUC	-	-	4	-	-
FDB1481	20961	87	53	17	LUC	1L	-	4	-	-
FDB1482	23224	95	48.3	16.2	LUC	2	-	4	-	6
FDB1483	21282	123	59.4	17.2	ATE	-	-	-	-	-
FDB1485	23423	163	58	17.4	LUC	-	-	-	-	-
FDB1486	23424	114	50	17.2	TRW	-	-	-	-	-
FDB149	20422	108	38	17.5	BDX	-	-	-	-	-
FDB1491	20961	87	53	16.1	TRW	-	-	4	-	4
FDB1493	24007	162	60.7	21	BOSCH	2L	4+4	2	-	-
FDB1494	24008	99	48.8	18.5	BOSCH	2L	4+4	2	-	-
FDB1495	23106	157	74	18.9	ATE	-	-	-	-	-
FDB1496	21848	156	74	19.7/20.6	ATE	2M	-	-	-	-
FDB1497	23269	161	72.9/74.4	20.1	ATE	2M	-	-	-	-
FDB1499	23281	140	60	18	ATE	-	-	-	-	-
FDB1500	23716	123	44	16.9	ATE	-	-	-	-	-
FDB1501	23497	116/95	49.6	15.4	AKE	2M	-	-	-	-
FDB1502	21775	119	72	15	SUM	4M	-	-	-	-
FDB1503	23295	128	53	16.2	SUM	-	-	-	-	-
FDB1504	21777	107	74.5/70.1	15	SUM	4M	-	-	-	-
FDB1505	21651	149	57.7	17.2	AKE	2M	-	-	-	-
FDB1506	23527	87	52.9	15	TRW	2M	-	-	-	-
FDB1507	23373	108	46	14.9	AKE	2M	-	-	-	-
FDB1508	21381	110	69.3	18	BRE	2M	-	-	-	-
FDB1509	23773	132	75	17.5	BRE	2M	-	-	-	-
FDB1510	23640	172	65.4	18.6	ATE	2M	-	-	-	-
FDB1511	23250	138	57	18.5	AKE	-	-	-	-	-
FDB1512	23157	77	65.5	16	ATE	-	-	-	-	-
FDB1513	23340	131	52.1	16.7	BOSCH	2M	-	-	-	-
FDB1514	23585	123	60.4	17.4	AKE	-	-	-	-	-
FDB1515	23099	145	62.3	18.1	TRW	-	-	4	-	-
FDB1517	23394	142/147	48.1/50.3	14.2	ATE	-	-	-	-	-
FDB152	20535	109	46	14	AKE	-	-	-	-	-
FDB1520	23402	156	69.5/70.5	19.5	ATE	-	2	-	-	-
FDB1521	23417	96	42.7	15.2	TRW	2M	-	4	-	4
FDB1523	23336	189	55.5	18.3	ATE	2M	-	-	-	-
FDB1524	23338	141	58.1	17.2	ATE	-	-	-	-	-
FDB1526	23334	141	59.5	15.8	ATE	-	-	-	-	-
FDB1527	23540	152	61.7	16	KEL	-	-	-	-	-
FDB1528	23526	118	58	17.4	AKE	-	-	-	-	-
FDB1529	23836	122.9	57	17	AKE	-	-	-	-	-
FDB153	20564	108	39	14	BDX	-	-	-	-	-
FDB1530	23646	113	42.5	16.5	SUM	LH/RH	-	-	-	-
FDB1531	23656	79	54	13.8	AKE	2M	-	-	-	-
FDB1532	23507	109	45	14.8	AKE	-	2	-	-	-
FDB1533	23817	136	53.2	16.3	AKE	1	4	-	-	-
FDB1535	21829	156/155	74	19.6	ATE	2M	-	-	-	-
FDB1536	23442	149	53	15.6	SUM	2M	-	-	-	-
FDB1540	23482	123	52	16.5	ATE	-	1	-	-	-
FDB1541	23245	156	67.9/70.8	18.3	ATE	-	-	-	-	2
FDB1542	23407	123	53	19.3	TRW	-	-	2	-	2
FDB1543	23409	129	56.2	19.3	TRW	-	-	2	-	-
FDB1544	23930	137	59.5	18.15	BOSCH	-	-	-	-	4
FDB1545	23575	131.8	77.2	15.7	BRE	4	-	-	4	-

SPECIFICATIONS – PADS

PART No.	wva	Length	Width	Thick	System	Wear Indicator	Clip	Bolt	Pin	Spring
FDB1549	24506 24507 24508 24509	143	45.2	15.8	KEL	1L/H- 1R/H				
FDB1550	23951	155.3	61.7	19.5	ATE	2	-	-	-	2
FDB1551	23795	109	49.5	15	AKE	2M	-	-	-	-
FDB1554	23500	116	74.5	16.9	SUM	-	-	-	-	-
FDB1556	20261	146.6	59.8	19.4	TRW	2M	4	2	-	-
FDB1557	23777	132	56.2	15.7/16.7	SUM	2M	-	-	-	-
FDB1558	21490	144	63.8	17.6	SUM	-	-	-	-	-
FDB1559	23184	136	51	16.6	AKE	2	-	-	-	-
FDB1560	20410	126	59	12.9	BRE	-	-	-	-	4
FDB1561	23142	120	73	15	BRE	2M	-	-	-	-
FDB1562	21580	77	65.7	14.3	BRE	2M	-	-	-	-
FDB1564	21490	144	63.8	17.4	SUM	2M	-	-	-	-
FDB1565	23314	110	55	14.2	SUM	-	-	-	-	-
FDB1569	23455	99	41.8	12.7	SUM	2M	-	-	-	-
FDB1570	23593	79	58.9	14.7	SUM	2M	-	-	-	-
FDB1571	23787	157	66.7	19.6	ATE	-	-	-	-	-
FDB1573	23766	132	57.3	17.5	TRW	1LH/1RH	-	-	-	-
FDB1574	23816	96	37.9	16.2	TRW	2LH/2RH	-	-	-	-
FDB1576	23638	147	60.2	18.5	TRW	2M	-	-	-	-
FDB1577	23611	166	61.3	19	AKE	2LH/2RH	-	-	-	-
FDB1580	23094	132	58.3	17	TRW	-	-	-	-	-
FDB1581	24073	117	55.3	16.4	TRW	-	-	-	-	4
FDB1582	24073	117	55.3	16.4	TRW	-	-	-	-	4
FDB159	20560	78	62	13.5	SUM	-	-	-	-	-
FDB1593	24077	116.75	63.8	19.1	TRW	-	4	2	-	-
FDB1594	23723	156/155	66.9/62.5	17.5	ATE	-	-	-	-	-
FDB1595	23649	154	56.2	17.5	KEL	2M	-	-	-	-
FDB1596	23487	123	47.4	14.4	SUM	-	-	-	-	-
FDB1597	23397	156	73	19.1	ATE	-	-	-	-	-
FDB1599	23332	131	52	18	BOSCH	-	4+4	2	-	-
FDB160	20572	78	59	15.3	ATE	2M	-	-	-	-
FDB1600	23696	123	58.4	16	AKE	-	4	-	-	8
FDB1601	23096	132	49.3	17.2	TRW	1LH/1RH	-	4	-	4
FDB1602	23873	129	51.5	16.5	SUM	2M	-	-	-	-
FDB1603	23488	139	58.6	15.2	SUM	-	-	-	-	-
FDB1604	23582	91/111	45	15.1	AKE	-	2	-	-	-
FDB1605	23569	149	57.9	16.17	MAN	1LH/1RH	-	-	-	-
FDB1606	23543	99	41	15	MAN	2M	-	-	-	-
FDB1607	23384	151	47.7	17.7	ATE	2LH/2RH	-	-	-	-
FDB1608	23190	140	50.6	16.5	KEL	1L	2	-	-	2
FDB1609	23616	119	48.6	13.9	AKE	2M	2	-	-	-
FDB161	20437	90	71	15	ATE	-	-	-	-	-
FDB1610	23429	57	64	15.5	SUM	4M	-	-	-	-
FDB1612	23780	138	53.8	17.5	AKE	-	-	-	-	-
FDB1613	24192	116.6	46.5	17.3	TRW	-	4	4	-	-
FDB1615	24191	162.6	58	18	TRW	-	4	4	-	-
FDB1617	23973	116	52.3	16.8	TRW	-	-	4	-	-
FDB1618	23894	193.3	79	20.4	ATE	-	2	-	-	-
FDB1619	24046	132	59.5	19	AKE	2M	-	-	-	4
FDB162	20436	56	54	14.7	ATE	-	-	-	-	-
FDB1620	23928	132	58.5	17.2	-	-	-	-	-	-
FDB1621	23584	145	58	16.5	AKE	2L	-	-	-	-

SPECIFICATIONS – PADS

PART No.	wva	Length	Width	Thick	System	Wear Indicator	Clip	Bolt	Pin	Spring
FDB1625	23692	190	99.1	16.2	BRE	-	-	-	-	-
FDB1626	23693	190	106.3	16.2	BRE	-	-	-	-	-
FDB1627	23694	117	73	16.2	BRE	-	-	-	-	-
FDB1628	23312	155	68.5	20.3	ATE	-	-	-	-	-
FDB1629	23762	155/156	72.8	20.2	ATE	2M	1	-	-	1
FDB163	20437	90	71	19	ATE	-	-	-	-	-
FDB1630	21436	115	55	17	BOSCH	-	-	-	-	-
FDB1631	24141	155.3/156.4	75.1/74	18.2/19.7	ATE	-	4	-	-	-
FDB1632	24011	123	63.6/61.8	18.7	ATE	-	2	-	-	-
FDB1633	23394	141.6	48.1/50.3	14.5	ATE	1M	3	-	-	-
FDB1634	21866	142	51	17.2	ATE	1M	-	-	-	-
FDB1635	23130	145	54.7	19.7	ATE	1M	2	-	-	-
FDB1636	23914	105	55.5	16.9	TRW	-	4	2	-	-
FDB1637	23823	87.75	53	17	TRW	-	-	4	-	-
FDB1639	23865	137	56.8	17.5	TOK	2M	-	-	-	-
FDB164	20467	62	57	15	ATE	-	-	-	-	-
FDB1640	23832	155/156	70.1/76	20.4	ATE	2	2	-	-	-
FDB1641	23587	155/156	71.4/66	20.3	ATE	1M	2	-	-	-
FDB1645	20961	87	53	17.2	TRW	1M	-	4	-	4
FDB1646	23086	151	51.3	16	SUM	2M	-	-	-	-
FDB1648	23768	151	62.7	18.6	BOSCH	2M	-	-	-	8
FDB1649	23620	102	45.8	16.3	BOSCH	2M	-	-	-	8
FDB165	20481	90	72	19	ATE	-	-	-	-	-
FDB1651	21927	156	52.5	17.9	ATE	-	2	-	-	-
FDB1652	24072	122.8	51.6	17.8	BOSCH	-	-	-	-	-
FDB1654	23418	157	78.9	18.9	ATE	1M	-	-	-	-
FDB1655	23326	116	59	17.5	TRW	-	4	4	-	-
FDB1658	23868	142	56.5	17.4	AKE	1LH/1RH	-	-	-	-
FDB1659	24083	158	61.05	18.7	AKE	-	-	-	-	-
FDB1660	24355	140.5	49.3	14.7	KH	-	-	-	-	-
FDB1661	23745	120	71.4	17.7	BRE	-	-	-	-	-
FDB1662	23581	132	62.3	18.7	TRW	1M	4	4	-	-
FDB1663	23756	132	77.2	15.6	BRE	2M	-	-	-	-
FDB1664	23751	97.3	74.1	17	BRE	2M	-	-	-	-
FDB1665		132	66.8	18.2	BRE	2M	-	-	-	-
FDB1666	23705	123	53.4	17.1	BOSCH	-	-	-	-	-
FDB1667	24162	125	70.3	15.2	BRE	-	-	-	-	-
FDB1669	23729	149	59.4	17.4	SUM	2M	-	-	-	-
FDB167	20491	78	67	15	LUC	-	-	-	-	-
FDB1670	24059	148	58	16.8	MAN	2	4	-	-	-
FDB1671	23518	137	52.5	17	SUM	2M	-	-	-	-
FDB1672	23309	139.6	64.5	17	ATE	-	-	-	-	-
FDB1673	21282	123/122	58.2	17	ATE	-	-	-	-	-
FDB1674	23159	156.4/155.2	63.1/65	17.2	ATE	-	-	-	-	-
FDB1676	23716	123	43.8	16.4	ATE	-	-	-	-	-
FDB1679	23652	88.6	47.5	15.2	NIS	2M	-	-	-	-
FDB168	20578	98	64	15	LUC	-	-	-	-	-
FDB1682	23672	139	59.5	14.6	AKE	2M	-	-	-	-
FDB1684	21786	122	41	15.5	SUM	-	-	-	-	-
FDB1686	23592	83	38.5	14.5	AKE	-	-	-	-	-
FDB1688	23331	118	77.6	15.6	-	-	-	-	-	-
FDB1689	23804	96	62.1	15	AKE	-	-	-	-	-
FDB169	20289	78	70	15.3	SUM	-	-	-	-	-
FDB1693	23871	105.5	38.2	14	AKE	1M	-	-	-	-
FDB1697	23929	115	59.5	17	-	-	-	-	-	-

SPECIFICATIONS – PADS

PART No.	wva	Length	Width	Thick	System	Wear Indicator	Clip	Bolt	Pin	Spring
FDB1698	24024	135	77.1	17	SUM	2M	-	-	-	-
FDB1699	23974	133	49	17.8	AKE	-	-	-	-	-
FDB170	20476	128	55	15	SUM	-	-	-	-	-
FDB1700	23494	78.8	58.2	15/14.8	SUM	2M	-	-	-	-
FDB1702	23879	151	56.5	15.4	SUM	1M	-	-	-	-
FDB1703	21491	122	41	15.5	AKE	4M	-	-	-	-
FDB1704	23719	155.2	68.5	17	ATE	2M	-	-	-	-
FDB1706	23912	155.1/156.3	72.9	18.5	ATE	-	-	-	-	-
FDB1707	24246	131.2	56	17	SUM	2M	-	2	-	4
FDB1709	23280	63.5/77.2	75.6/74.7	18	TRW	2M	-	-	-	-
FDB1710	23119	63.5/77.7	75.5/74.4	17.5	LUC	2	-	-	-	-
FDB1711	23470	164.54	58.1	18	LUC	-	-	4	-	8
FDB1712	23489	144.75	75.4	16.1	BRE	-	-	-	-	-
FDB1713	24190	113	48.6	17.5	LUC	-	-	4	-	4
FDB1714	23285	119.3	82.6	17.2	BRE	-	-	-	-	-
FDB1715	23989	141	59.5	16.6	SUM	-	-	-	-	-
FDB1717	20676	156	74	20.1	ATE	2M	-	-	-	-
FDB1721	24045	107.8	39.5	12.6	AKE	-	4+4	-	-	2
FDB1725	24124	131	67	18.7	TRW	4M	-	4	-	-
FDB1726	24133	162.4	79.1	18.4	TRW	4	-	4	-	-
FDB1727	24135	86	57	17.8	TRW	-	-	4	-	-
FDB1728	23589	155.1/156.4	71.4	19.3	ATE	-	-	-	-	-
FDB173	20939	100	59	15.5	GM	-	4	-	4	-
FDB1731	23967	102	43.8	15	SUM	-	-	-	-	-
FDB1733	23891	131	60	17	MAN	2M	-	-	-	-
FDB1735	24092	155	60	17.1	SUM	2M	-	-	-	-
FDB1736	24058	118.3	47	15.5	SUM	1LH/1RH	-	-	-	-
FDB1737	21725	131.1	53	17.5	AKE	2M	4	-	-	-
FDB1738	21796	130	72.8	17.2	TRW	1L	-	4	4	-
FDB1741	20083	130	72	17.5	TRW	2M	-	-	-	-
FDB1742	23329	121.3	90.3	17	BRE	-	-	-	-	-
FDB1745	23970	164	57	17	AKE	LH/RH	-	-	-	-
FDB1747	23915	131.2	56.3/65	17.6	TRW	-	4	4	-	-
FDB1748	23732	122	58.2	17	ATE	-	-	-	-	-
FDB1749	24077	116.75	64	19.1	TRW	-	4	4	-	-
FDB175	20574	104	67	19.4	LUC	-	-	2	-	-
FDB1750	23881	131.8	69.9	19.6	TRW	-	4	2	-	-
FDB1751	23935	150	57.5	17.6	ATE	-	-	-	-	-
FDB1752	23513	116.8	59.5	17	AKE	-	-	-	-	-
FDB1753	23410	115.8	53.5	15.4	BOSCH	2	-	-	-	-
FDB1754	23876	102	39.5	13	AKE	1M	-	-	-	-
FDB1755	24029	102	41.7	13	AKE	1M	-	-	-	-
FDB1757	23515	139	59.2	16.2	SUM	-	-	-	-	-
FDB1758	24042	137.5	62	16.8	SUM	-	-	-	-	-
FDB1759	24039	105.6	43	15	NBK	1M	-	-	-	-
FDB176	20480	93	56	15.5	LUC	-	-	-	-	-
FDB1765	23801	155.1/156.3	72.9	20.4	ATE	1M	2	-	-	2
FDB1766	24137	123.2	52	16.3	ATE	-	-	-	-	-
FDB1770	20961	87	53	16.1	TRW	-	-	4	-	4
FDB1773	23794	154.7/155.2	63.5	19.8	ATE	-	-	-	-	-
FDB1781	21463	100	65	18	TRW	-	-	4	-	-
FDB1782	23138	95.5	42	14.6	TRW	-	-	2	-	4
FDB1783	24275	116.3	47.5	16.8	MAN	1LH/1RH	4	-	-	-
FDB1784	24150	94.8	46.7	17.3	BOSCH	-	4+4	2	-	-
FDB1786	24056	135.5	69.9	15.5	TOK	2M	-	-	-	-

SPECIFICATIONS – PADS

PART No.	wva	Length	Width	Thick	System	Wear Indicator	Clip	Bolt	Pin	Spring
FDB1787	20261	146.6	59.8	19.4	TRW	-	4	4	-	-
FDB1788	20961	87	53	17	TRW	-	-	4	-	4
FDB1790	23959	122.75	47.3	17.4	BOSCH	-	4+4	2	-	-
FDB1793	24381	140.5	48.8	15.5	KEL	-	-	-	-	-
FDB1794	23092	131.8	77.2	15.6	BRE	2M	-	-	-	-
FDB1795	23760	116.8	49.6	17.5	TRW	-	-	4	-	4
FDB1796	23760	116.6	49.6	17.5	TRW	-	-	4	-	4
FDB1797	24348	105.8	46.6	16.8	TRW	-	4	4	-	-
FDB1798	24348	105.8	46.6	16.8	TRW	-	4	4	-	-
FDB180	20643	63	57	14.4	SUM	-	-	-	-	-
FDB1805	24339	155.2/156.5	69.2/71.6	19.9/20.2	ATE	2M	-	-	-	-
FDB1806	23623	95.4	45/51.5	17.2	TRW	-	4	2	-	-
FDB1807	23926	123.1	43.7/48	17	ATE	-	-	-	-	-
FDB1808	23550	123	57.9	17	ATE	-	-	-	-	-
FDB1809	23478	111.6	64	15.5	BRE	-	-	-	-	-
FDB1810	23541	97.6	78.5	17.2	BRE	2	-	-	-	-
FDB1811	23605	131	43	15.7	BOSCH	4M	-	4	-	-
FDB1812	23507	108.6	43	14.6	AKE	-	-	-	-	-
FDB1816	24370	167.2	54.3	16.9	-	4M	4	-	-	-
FDB1817	24353									
	24354	145	58.5	14.9	TOK	1M	-	-	-	-
FDB1826	23749	155.3/156.4	73.2/74.7	18.5/19.6	ATE	2M	-	-	-	-
FDB1827	23763	155.2/156.3	72.9	20	ATE	2M	-	-	-	-
FDB1830	23922	193.3/194.5	70.1	21	ATE	-	-	-	-	-
FDB1831	23923	140.2/141.4	51,8/59,6	17.6	ATE	-	-	-	-	-
FDB1832	23885	193	72.6	19.9	ATE	2M	-	-	-	-
FDB1833	23404	155.1/156.4	72.5/77.5	20.1/20.4	ATE	-	-	-	-	-
FDB1835	24010	131	73.7	16.4	BRE	-	-	-	-	-
FDB1838	-	113.7	62.7	16.6	TRW	-	4	4	-	-
FDB1839	24014	105.9/85.4	35.5/40.0	15.5	AKE	2M	-	-	-	-
FDB1840	24031	137.1	63.6	17.5	MAN	2M	4+2	-	-	-
FDB1841	23813	110.6	46.5	15.6/16	MAN	2M	4	-	-	-
FDB1852	21680	119.5	68	17	SUM	2LH/2RH	-	-	-	-
FDB1858	24349	101.9	47	17.2	BOSCH	-	4+4	4	-	-
FDB1859	24087	131.7	55.8	17.55	SUM	1LH/1RH	4+2	4	-	-
FDB1861	24331	108.6	39.3	14.4	AKE	1M	4	-	-	-
FDB1862	24086	95.7	46.3	15.5	TRW	2M	4	4	-	-
FDB1863	24372	137.1	53.5	17.9	-	1M	4	-	-	-
FDB1865	24536	155.05/156.45	71.0/68.5	17.9	ATE	-	-	-	-	-
FDB1866	24535	155.1/156.3	68.9/66.4	18	ATE	-	-	-	-	2
FDB1867	21934	123.1	45	16.1	ATE	-	-	-	-	-
FDB1868	23759	125.6	59.7	16.9	SUM	-	-	-	-	-
FDB1869	23966	130.1	58	16.5	MAN	1LH/1RH	4	-	-	-
FDB1875	24391	131.6	56.8	16.2	TRW	1M	4	4	-	-
FDB1877	24098	131.7	77.2	16.7	BRE	-	-	-	-	-
FDB1878	24097	86.7	70.3	16.8	BRE	-	-	-	-	-
FDB1881	23698	156.8	58.5	16.8	SUM	2LH/2RH	-	-	-	-
FDB1882	24240	110.6	40.9	15.9	TOK	1LH	-	-	-	-
FDB1883	23791	193.2	79.1	20.4	ATE	-	-	-	-	-
FDB1885	24260	101.9	50.5	17.1	BOSCH	-	4+4	4	-	-
FDB1886	24291	114.1	56.5	15,3/15,6	SUM	1L	-	-	-	-
FDB1889	24071	104.5	39.4	14.5	SUM	-	-	-	-	-
FDB1890	24022	150.2/151.4	60.9/58.4	17.4	ATE	1LH/1RH	-	-	-	-
FDB1891	24336	139.1	55.5	17.5	AKE	-	-	-	-	-
FDB1892	-	96.6	49.5	15.5	AKE	-	-	-	-	-

SPECIFICATIONS – PADS

PART No.	wva	Length	Width	Thick	System	Wear Indicator	Clip	Bolt	Pin	Spring
FDB1893	24297	123	58.2	15	-	1	4+4	-	-	-
FDB1894	24298	99.2	44.8	14.5	SUM	1LH	4	-	-	-
FDB1895	24013	87.03	46,1/45,8	15.5	TRW	1LH/1RH	-	-	-	-
FDB1896	21381									
	24143	109.9	69.2	14.8	BRE	1M	-	-	-	-
FDB1897	24123	155.1/156.5	66.6/71.6	20.2/19.0	ATE	-	-	-	-	-
FDB1898	-	155,2/156,4	74,5/75,5	18,3/19,8	ATE	-	-	-	-	-
FDB190	20548	63	57	15	ATE	2M	-	-	-	-
FDB1902	24276	92.5	41	14.8	MAN	1LH/1RH	4	-	-	-
FDB1903	24487	140.2/141.4		57.5/48	16.45	ATE	-	-	-	-
FDB1905	24062	143	51.2	17.6	AKE	1LH/1RH	-	-	-	-
FDB1907	23945	101.7	79.5	16.5	BRE	-	-	-	-	-
FDB1910	24488									
	24489									
	24490	118.6	47	15.4/15.9	MAN	1LH/1RH	4	-	-	-
FDB1911	23703	138.8	59.7	16.9	AKE	-	-	-	-	-
FDB1917	24537	95.3	43.2	15.8	TRW	-	2+2	4	-	-
FDB1918	24496	106.2	48.6	16.3	TRW	-	2+2	4	-	-
FDB1919	23981	136.9	57.5	19.1	BOSCH	1M	4+4	2	-	-
FDB192	20588	76	66	16.5	ATE	-	-	-	-	-
FDB1920	24288	122.9	53.3	17.7/17.9	BOSCH	1M	4+4	2	-	-
FDB1921	24550	150.9	55.1	19	BOSCH	1M	4+4	-	-	-
FDB1922	24349	101.9	47.2	17.4	BOSCH	-	4LH/4RH	2	-	-
FDB193	20605	98/132	44/49	13.5	AKE	-	-	-	-	-
FDB1931	24137	123.1	51.9	16.3	ATE	-	-	-	-	-
FDB1932	24537	95.3	43.2	15.8	TRW	-	2+2	4	-	-
FDB1933	24537	95.3	43.2	15.8	TRW	-	2+2	4	-	-
FDB1934	24510	148.9	62	17.4	MAN	1LH/1RH	-	-	-	-
FDB1935	-	110.6	46	15,2/15,4	MAN	1LH/1RH	-	-	-	-
FDB1936	23983	154.5	59.2	17.7	-	-	-	-	-	-
FDB1937	23673	98.6	43.1	16/15.6	AKE	1LH/1RH	-	-	-	-
FDB194	20671	99	64	16.3	LUC	2L	-	2	-	-
FDB1944	21436	115	55	17	BOSCH	1M	-	-	-	-
FDB1945	24072	123	51.1	17.8	BOSCH	1M	-	-	-	-
FDB1946	23705	123	53.4	18	BOSCH	1M	-	-	-	-
FDB1947	24271	110.5	37.5	14.6	AKE	1LH	4	-	-	-
FDB1948	23491	87	38	12.5	AKE	-	-	-	-	-
FDB1949	21381	109.7	69.2	14.7	BRE	-	-	-	-	-
FDB195	20660	126	45	16.5	BDX	-	-	-	-	-
FDB1950	24277	104.6	47.4	17	MAN	1LH/1RH	-	4	-	-
FDB1951	23293	131.7	67	18	BRE	-	4	-	-	-
FDB1953	24163	101.3	57.4	18	-	8M	4	-	-	-
FDB1954	24166	150.4	56.8	19	-	4RH	4	-	-	-
FDB1955	24317	129.8	56	17,6/18	MAN	1LH/1RH	4	-	-	-
FDB1956	24320	93.2	41.1	16	MAN	1LH/1RH	2+2	-	-	-
FDB1957	21381	109.7	69.2	14.7	BRE	-	-	-	-	-
FDB196	20389	83	70	16	CIT	-	-	-	-	-
FDB1968	23092	131.8	77.2	15.5	BRE	2M	-	-	-	-
FDB1969	24062	143.1	51.2	18	SUM	-	-	-	-	-
FDB197	20371	39.3	39.3	7.5	CIT	-	-	-	-	-
FDB1970	23608	103	39.4	15.5	SUM	1LH/1RH	-	4	-	-
FDB1971	24538	155.2	57,8/64,5	18.5	ATE	-	-	-	-	-
FDB1972	24557	155.2	66,9/72,2	19	ATE	-	-	-	-	-
FDB1973	24540	102.3	48.4	16.5	TRW	-	4+4	2+2	-	-
FDB1974	23915	131.5	53,5/65,5	17.7	TRW	-	4	2	-	-

SPECIFICATIONS – PADS

PART No.	wva	Length	Width	Thick	System	Wear Indicator	Clip	Bolt	Pin	Spring
FDB1975	24289	95.5	39,1/48,3	17.1	TRW	-	4	2	-	-
FDB1976	24073	116.8	55.3	16.4	TRW	2M	4	2	-	-
FDB1978	24306	146.2	71.5	20.6	LUC	-	4	4	-	-
FDB1979	24456	188	80	19.2	TRW	-	-	4	-	-
FDB198	20735	111	47	15.4	SUM	-	-	-	-	-
FDB1980	24253	122.6	54.6/52.4	17.6	ATE	-	-	-	-	-
FDB1981	23005	108.6	47.7	15.5	AKE	2M	-	-	-	-
FDB1982	-	119.2	69.7	15.2	SUM	-	2+2	-	-	2
FDB1983	20610	55.6	53.2	8.9	BRE	-	-	-	-	-
FDB1984	24222	157.1	63.5	17.9	AKE	2M	2+2	-	-	-
FDB1985	23904	116.5	51,5/54	16.5	AKE	1LH/1RH	-	-	-	-
FDB1986	23994	121	37.2	14.5	SUM	-	-	-	-	-
FDB1987	23783	104.5	45	14.4	AKE	-	4+4	-	-	-
FDB1988	24229	92,1/122,1	44.4	16.3	AKE	1LH/1RH	2+2	-	-	-
FDB1990	23649	154.1	56.2	15.9/16.6	-	1LH/1RH	-	-	-	-
FDB1991	24350	157.5	56.9	17.6	AKE	-	-	-	-	4
FDB1992	-	91,1/111,6	45	15.4	AKE	1LH/1RH	-	-	-	-
FDB1993	-	149.8	58.7	15.6	AKE	1L/H - 1R/H	-	-	-	-
FDB1994	23471	88.5	68.8	17.8	LKD	-	-	-	4+4	4
FDB1995	-	113.6	59.2	15.9	LKD	-	-	-	4	2
FDB1996	-	131.8	77.3	17.3	BRE	-	-	-	-	-
FDB1997	24227									
	24228	163.6	54	16.4	TOK	1M	-	-	-	-
FDB1998	-	140.2	89	16.5	BRE	-	-	-	-	-
FDB1999	24167	149	60.9	17.5	MAN	1LH/1RH	-	-	-	-
FDB201	20575	54	65	17	CIT	-	-	-	-	-
FDB203	20573	84	55	14.7	BDX	2L	-	-	-	-
FDB206	20640	151	47	18	ATE	-	-	-	-	-
FDB208	20731	119	39	15	SUM	-	-	-	-	-
FDB210	20587	62	45	15	ATE	-	-	-	-	-
FDB212	20640	151	47	18.6	ATE	2M	-	-	-	-
FDB214	20761	84	59	14.5	ATE	2M	2	-	4	-
FDB216	20599	108	46	13.8	AKE	-	-	-	-	-
FDB219	20766	107/110	46/49	14	AKE	2M	-	-	-	-
FDB22	20074	109	39	10	BDX	-	-	-	-	-
FDB221	20708	100	62	16.3	LUC	-	-	-	-	-
FDB222	21144	88	68	16.5	LUC	-	-	2	-	-
FDB225	20718	112	44	14.5	SUM	-	-	-	-	-
FDB226	20856	107/109	46/49	14	AKE	-	-	-	-	-
FDB235	20421	109	48	15	BDX	2L	-	-	-	-
FDB236	20649	158	52	17.8	ATE	2M	-	-	-	-
FDB240	20578	98	64	15	LUC	2M	-	-	-	-
FDB241	20760	95	46	14.3	SUM	-	-	-	-	-
FDB243	20341	90	74	17.5	ATE	-	-	-	-	-
FDB245	20655	114	97	19.5	CIT	4M	-	-	-	-
FDB252	20593	108	39	14.5	AKE	-	-	-	-	-
FDB253	20594	84	74	12.7	CIT	4M	-	-	-	-
FDB256	20629	158	58	19.5	ATE	-	-	-	-	-
FDB257	20661	115	49	17.8	BDX	2L	-	-	-	-
FDB264	20646	109	39	17.5	BDX	2L	-	-	-	-
FDB265	21250	128	57	16	AKE	-	-	-	-	-
FDB268	20845	77	57	16.5	LUC	2L	-	-	-	-
FDB272	20690	77	80	16	CIT	4M	-	-	-	-
FDB274	21084	118	64	17.5	LUC	1M	-	4	-	-
FDB275	20861	115	60	17.5	LUC	-	-	2	-	-

SPECIFICATIONS – PADS

PART No.	wva	Length	Width	Thick	System	Wear Indicator	Clip	Bolt	Pin	Spring
FDB276	20907	151	49	18	ATE	2M	-	-	-	-
FDB281	21042	116	51	15.5	SUM	-	-	-	-	-
FDB283	21046	99	37	14.5	SUM	-	-	-	-	-
FDB284	21122	85	42	15	SUM	-	-	-	-	-
FDB285	20895	107	45	15	AKE	-	-	-	-	-
FDB286	20491	78	67	15	LUC	2M	-	-	-	-
FDB288	20852	107	66	15	SUM	-	-	-	-	-
FDB289	20862	115	60	17.5	LUC	2M	-	4	-	-
FDB29	20073	109	39	17.5	BDX	-	-	-	-	-
FDB291	20892	116	54	15	SUM	-	-	-	-	-
FDB293	20958	109	40	16	SUM	-	-	-	-	-
FDB294	20718	112	44	14.5	AKE	-	-	-	-	-
FDB296	20675	126	39	16.3	ATE	-	-	-	-	-
FDB2H	20034	62	56	15	ATE	-	-	-	-	-
FDB2M	20034	62	56	15	ATE	-	-	-	-	-
FDB300	20959	116	50	15	AKE	-	-	-	-	-
FDB301	21043	86	36	13	AKE	-	-	-	-	-
FDB304	21041	130	61	15	AKE	-	-	-	-	-
FDB305	21005	104	41	15.4	AKE	-	-	-	-	-
FDB306	21249	127	52/55	15	AKE	-	-	-	-	-
FDB308	20870	119	48	15	AKE	-	-	-	-	-
FDB316	20957	108	46	15.5	AKE	-	-	-	-	-
FDB317	20740	125	65	16.6	LUC	-	-	2	-	-
FDB318	21158	145	58	15	AKE	-	-	-	-	-
FDB319	20956	108	50	15	SUM	-	-	-	-	-
FDB322	21015	107/110	52	15	AKE	-	-	-	-	-
FDB326	20854	107/110	46/52	15	AKE	2M	-	-	-	-
FDB328	20687	62	55	13.5	ATE	-	-	-	-	-
FDB330	20482	77	59	18.5	ATE	-	-	-	-	-
FDB340	21099	130	50	16	AKE	-	-	-	-	-
FDB346	20950	109	47	18	BDX	2L	-	-	-	-
FDB347	20641	56	53	15	ATE	2M	-	-	-	-
FDB348	20034	62	56	15	ATE	2M	-	-	-	-
FDB349	20944	100	55	16	ATE	-	-	-	-	-
FDB350	20836	104	67	17	LUC	2M	-	-	-	-
FDB351	20775	109	47	18	BDX	-	-	-	-	-
FDB353	20714	90	38	12	CIT	2M	-	-	-	-
FDB354	20751	115	59	18.5	LUC	-	-	2	-	-
FDB357	21126	109	48	15	SUM	-	-	-	-	-
FDB359	20775	109	47	15	BDX	-	-	-	-	-
FDB360	20841	109	47	12	BDX	-	-	-	-	-
FDB361	20347	109	49	14	BDX	2L	-	-	-	4
FDB362	20139	109	49	14	BDX	-	-	-	-	4
FDB363	20847	99	63	16.3	LUC	2M	-	-	-	-
FDB364	20946	99	63	16.3	LUC	2M	-	-	-	-
FDB365	20857	141	42	17.5	ATE	-	-	-	-	-
FDB368	20955	128	52	15	AKE	-	-	-	-	-
FDB37	20073	109	39	14	BDX	-	-	-	-	-
FDB370	20833	104	67	17	LUC	2L	-	4	-	-
FDB371	20539	127	45	14	AKE	-	-	-	-	-
FDB372	20328	108	39.4	12.9	AKE	-	-	-	-	-
FDB375	20514	100	59	15.5	GM	-	4	-	4	-
FDB385	20889	138	51	17.3	KEL	-	-	-	-	-
FDB39	20128	58	55	14.5	TOK	-	-	-	-	-
FDB391	20997	77	66	16.5	ATE	4M	-	-	-	-

SPECIFICATIONS – PADS

PART No.	wva	Length	Width	Thick	System	Wear Indicator	Clip	Bolt	Pin	Spring
FDB392	20887	137.9	51.3/48.9	15.3	KEL	-	-	-	-	-
FDB393	20905	105	55	18	BDX	2L	-	-	-	-
FDB396	21142	111	42	15	SUM	-	-	-	-	-
FDB398	20981	90	54	13.5	LUC	-	-	4	-	-
FDB3M	20009	56	53	15	ATE	-	-	-	-	-
FDB4000	-	118.6	48.5	15,7/16,1	-	1LH/1RH	-	-	-	-
FDB4001	-	88.1	58.2	15.5	-	1LH/1RH	-	-	-	-
FDB4002	24250	176	57.2	18.8	AKE	-	4	-	-	-
FDB4003	24660	151	61.6	17.8	BOS	-	4+4	2	-	-
FDB4004	-	87	52.9	16.8	TRW	-	4	4	-	-
FDB4014	24218	164.9	59.1	17.7	MAN	1LH/1RH	4	-	-	-
FDB402	20631	105	65	17.7	BDX	2L	-	-	-	-
FDB4023	24529	155.5	51	15.8	TOK	1M	-	-	-	-
FDB4035	24673	150.3	52.5	17.8	ATE	-	-	-	-	-
FDB4040	-	124.8	70.3	15.2	BRE	1M	-	-	-	-
FDB4041	24574 24575 24576	123.2	43.7	14.5	ATE	2M	-	-	-	-
FDB4042	24610 24611 24612	98.6	42.5	14.9	AKE	2M	-	-	-	-
FDB4044	24743 24409	188	72.9/73.5	18.9	TRW	1L	-	4	-	-
FDB4045	24705 24706 24707	155.2	67/72.3	19.8	ATE	1M	-	-	-	-
FDB4046	-	136.9	57,9/61,4	19.1	BOS	1LH/1RH	4+4	-	-	-
FDB4047	24204 24691 24692	150.9	62.8/65.6	19.1	BOS	1LH/1RH	4+4	-	-	-
FDB4048	24664 24665 24666	102.2	45.8	16.4	BOS	1LH/1RH	4+4	-	-	-
FDB4050	-	116.4	58.8	17.5	TRW	-	4	4	-	-
FDB4051	24632	141.9	59.1	16.6	-	-	-	-	-	-
FDB4052	24170	170,2/171,2	77	19,4/20,0	ATE	-	-	-	-	-
FDB4055	-	141.6	76.2	17.6	BRE	-	-	-	-	-
FDB4056	23961	176.1	109.5	16.7	BRE	-	-	-	-	-
FDB4057	24332 24333 24334	155.4	67,1/72,6	20,6/19,8	ATE	1M	-	-	-	-
FDB4058	24483	105.3	56.2	16.8	TRW	-	4	4	-	-
FDB406	21388	130	55	18.5	LUC	2M	-	4	-	-
FDB4060	24346	138.1	54.7	17	TOK	1L	-	-	-	-
FDB4062	24582 24629 24630	136.7	58.9	16.3	-	1LH/1RH	-	-	4	-
FDB4066	23954	137.1	51.5	18.8	BOS	-	4+4	2	-	-
FDB4067	-	121.9	58.2	17	ATE	-	-	-	-	-
FDB4068	24709 24710	155.2/156.4	62.8/68.4	17.9	ATE	-	-	-	-	-
FDB4069	23973	116.4	52.3	16.7	TRW	1M	4	4	-	-
FDB4074	-	146.5	64	17.3	-	2M	4+4	-	-	-

SPECIFICATIONS – PADS

PART No.	wva	Length	Width	Thick	System	Wear Indicator	Clip	Bolt	Pin	Spring
FDB4076	21012 21773 21774	127.5	49	15.5/15.9	MAN	1LH/1RH	4	-	-	-
FDB4077	24301	123.1	55.4	15.4	AKE	1L	-	-	-	-
FDB4078	24164	183.4	54.6	17.9	-	8M	-	-	-	-
FDB4079	24172 24173	193.2	79.3	19,4/20,4	ATE					
FDB408	20981	90	54	13.5	LUC	2M	-	4	-	-
FDB4080	23984	131.5	64,1/71,6	17.9	TRW	-	4	2	-	-
FDB4081	24708	122.7	54.5	17.5	ADV	-	-	-	-	-
FDB410	21093	104	67	17.4	LUC	2M	-	4	-	-
FDB4107		155,3/156	66,7/72	19	ATE	-	-	-	-	-
FDB4108	24079 24080	155.1/156.4	74.5/75.5	18.5/20	ATE	-	-	-	-	-
FDB4110	24283	125.7	52.1	16.4	TRW	1M	-	-	-	-
FDB4111	24351	156.7	61	17,5/17,1	MAN	1L/H - 1R/H	4	-	-	-
FDB4112	24280	137	53.4	16.8	HIT	1M	-	-	-	-
FDB4113	24597 24598 24609	164.7	63.5	17,7/18,2	MAN	1L/H - 1R/H	4	-	-	-
FDB4114	24599	110.4	47.8	15,6/16,1	MAN	1L/H - 1R/H	4	-	-	-
FDB412	20574	104	67	15	LUC	-	-	2	-	-
FDB4136	-	146.5	57	17.6	AKE	-	-	-	-	-
FDB4148	21561 21562	137	53.5	16.9	SUM	2LH/2RH	-	-	-	-
FDB415	20941	108	60	19.4	LUC	2L	-	2	-	-
FDB4154	-	162.8	66	19.3	TRW	2M	4	4	-	-
FDB4160	24084 24332	155.2	61.9/71.9	18/19	ATE					
FDB4161	24342	154.6	58.5	18.6	SUM	1LH/1RH	-	-	-	-
FDB4165	23751	95.45	74.2	16.3	BRE	2M	-	-	-	-
FDB4171	24002	155.3	72.8	18.6	ATE	2M	-	-	-	-
FDB4176		144.1	62.5	18.3	TRW	-	-	4	-	4
FDB4177	23698	156.9	58.5	17.9	SUM	4M	-	-	-	-
FDB4178	20961	87.1	53	17	TRW	-	4	4	-	-
FDB4179	24283	125.7	52.1	17.1/17.5	TRW	-	4	4	-	-
FDB4180	-	155.2	59,5/64,8	18.1	ATE					
FDB4181	24710 24826	155.2	62,8/68,4	18.1	ATE					
FDB4182	24820	106.2	45.7	16.2	TRW	-	4	2	-	-
FDB4183	20961	87.1	53	15.9	TRW	-	4	2	-	-
FDB4184	24727 24728 24729	155.3/156.4	69.1/71.6	20.1	ATE	1M	-	-	-	-
FDB4185	24693	131.1	62.5	18.6	TRW	-	4	2	-	-
FDB4186	24692	95.4	44	16	TRW		4	2		
FDB4187		110.6	39.7	16.7		1M	4	-	-	-
FDB4188	23402	155.1	69,5/70,5	20.5	ATE	-	-	-	-	-
FDB419	20887	138	50	19.7	KEL	-	-	-	-	-
FDB4190	24606	116.4	58.8	17.5	TRW	-	4	4	-	-
FDB4191	23313 24255	155.1	68.5	20.3	ATE	-	-	-	-	-
FDB4192	24483	105.3	56.2	16.8	TRW	-	4	4	-	-

SPECIFICATIONS – PADS

PART No.	wva	Length	Width	Thick	System	Wear Indicator	Clip	Bolt	Pin	Spring
FDB4193	24491 24492 24493	106.6	44.1	15.6/16.0	MAN	1LH/1RH	-	-	-	-
FDB4194	24501 24052 24503	137.9	61.1	16.4/16.9		1LH/1RH	-	-	-	-
FDB4195		131.8	66.8	18.2	BRE	-	-	-	-	-
FDB4196	24822 24833 24834	116.6	52.7	16.8	TRW	1LH/1RH	4+4	-	-	-
FDB4197		126.8	71.1	18	LKD	1M	4	-	4	-
FDB4198	24435 24387 24461 24462	93.5	46.6	14,7/15,3	NIS	1LH/1RH				
FDB4199	24306	146.2	71.5	20.6	TRW	-	4	4	-	-
FDB42	20145	78	65	17	LUC	2M	-	-	-	-
FDB420	20375	90	58	16.5	ATE	-	-	-	-	-
FDB4206		109.8	80.5	15.8	BRE	1M	-	-	-	-
FDB4209	24421 24422	106.4	47.1	17.2	TRW	2M	4			
FDB4210	24244	75	74.2	18.4	ADV	-	-	-	-	-
FDB4216	20325									
FDB4218	24396 24316	118.4 164.6	77.5 73.1	17.3 16.7	ADV BRE	1M -	-	-	-	-
FDB4220	24253 24254	122.6	54.6/52.4	17.6	ATE	-	-	-	-	-
FDB4221	24161 23347	155.4	68.5	19.8	ATE	-	-	-	-	-
FDB4222	23554	87.1	52.9	16.8	TRW		4	4		
FDB4223	23801 23912 23913	155.3	72.9	20.1	ATE	1M				
FDB4225	20741	129.9	71.4	15	TRW	-	-	2	-	-
FDB4226	21418 24663	98.9	61.6	14.2	TRW					
FDB4227	24434 24680	88.9	47.3	15.3/15.7	NIS	1LH/1RH	2	-	-	-
FDB4229	24386	143.7	83.2	17.9	ADV	1LH/1RH				
FDB423	20913	78	58	15.3	ATE	4M	-	-	-	-
FDB4230	24653	116.3	44.6	17.3	ADV					
FDB4239	24602 24603	116.4	45.5	16.8	-	2L/H	4+4			
FDB424	20373	78	59	16	ATE	2M	-	-	-	-
FDB4249	24708 24870	155,2/156,4	62,8/68,4	17.9	ATE					
FDB425	20034	63	53	16.5	ATE	-	-	-	-	-
FDB4252	24421 24422	106.4	47.1	17.2	TRW	2M	4			
FDB426	20092	90	70	19	ATE	4M	-	-	-	-
FDB428B	20635	105	58	17.7	BDX	4L	-	-	-	-
FDB434	20923	90	65	17.5	LUC	4M	-	-	-	-
FDB435	21012	127	50	14.8	AKE	2M	-	-	-	-
FDB440	21096	105	58	15	BDX	2L	-	-	-	-
FDB441	20944	104	53	16	ATE	2M	-	-	-	-

SPECIFICATIONS – PADS

PART No.	wva	Length	Width	Thick	System	Wear Indicator	Clip	Bolt	Pin	Spring
FDB442	21131	108	46	15	BDX	2M	-	-	-	-
FDB443	20083	130	72	17.5	LUC	1M	-	4	-	-
FDB445	21245	129	68	17.5	LUC	1M	-	4	-	-
FDB448	20323	77	62	15	ATE	1M	-	-	-	-
FDB451	20877	98	65	18	ATE	-	-	-	-	-
FDB454	20099	130	48	15	AKE	2M	-	-	-	-
FDB455	20989	90	63	17	LUC	2M	-	-	-	-
FDB456	20841	109	48	12	BDX	-	-	-	-	-
FDB458	20922	77	70	15	ATE	-	-	-	-	-
FDB46	20151	84	59	15.4	BDX	-	-	-	-	-
FDB461	20561	85	58	15	ATE	-	-	-	-	-
FDB463	20087	85	63	14.5	LUC	1M	-	4	-	-
FDB467	20895	108	45	15	SUM	1M	-	-	-	-
FDB468	21175	115	82	17	LUC	2M	-	2	-	-
FDB469	21177	90	54	12.5	LUC	2M	-	2	-	-
FDB470	21759	98/107	47	15/16	AKE	2M	-	-	-	-
FDB471	21237	93	73	15	LKD	1M	-	-	4	4
FDB472	21312	89	36	12.8	AKE	-	-	-	-	-
FDB476	21187	124	56	15.5	AKE	2M	-	-	-	-
FDB477	20004	125	42	15.5	AKE	2L	-	-	-	-
FDB478	21833	108	43	15	AKE	4M	-	-	-	-
FDB482	20008	101	42	13	AKE	-	-	-	-	-
FDB483	20878	107	63/72	14.8	AKE	2M	-	-	-	-
FDB484	21121	85	45	13.8	AKE	2M	-	-	-	-
FDB487	21277	92	64	15	SUM	-	-	-	-	-
FDB488	21523	128	54	17	AKE	-	-	-	-	-
FDB489	20112	127	53	18	AKE	4M	-	-	-	-
FDB506	21089	125	38	14.7	ATE	-	-	-	-	-
FDB507	21125	98	44	14	AKE	-	-	-	-	-
FDB509	21195	151	49	18	ATE	2M	-	-	-	-
FDB519	21193	151	49	18	ATE	-	-	-	-	-
FDB520	21459	105	73	18.5	LKD	1M	-	-	-	-
FDB524	21100	90	65	17	LUC	1M	-	4	-	-
FDB525	21050	62	61	15.6	ATE	-	-	-	4	-
FDB527	21170	104	60	17.3	LUC	-	-	2	-	-
FDB528	21252	123	42	15	AKE	-	-	-	-	-
FDB532	21243	128	52	13.8	AKE	-	-	-	-	-
FDB534	21016	123	49	16.5	BDX	2L	-	-	-	-
FDB535	21179	72	59	17	ATE	4M	-	-	-	-
FDB536	21010	95	54	15.6	LUC	-	-	2	-	-
FDB540	21209	95	49	19	LUC	2M	-	2	-	-
FDB541	20961	87	53	15	LUC	-	-	4	-	-
FDB542	21147	130	59	19	LUC	2M	-	-	-	-
FDB546	21165	95	49	16.5	ATE	2M	-	4	-	-
FDB55	20206	52	49	15.4	DP	-	-	-	-	-
FDB550	21344	115	48	16	AKE	-	-	-	-	-
FDB556	21373	128	55	16.2	SUM	2M	-	-	-	-
FDB558	20973	105	54.8	11	BDX	-	-	-	-	-
FDB560	20953	132	69	18	ATE	-	-	-	-	-
FDB562	21089	126	39	14.8	ATE	-	-	-	-	-
FDB563	21137	145	71	19.4	LUC	2M	-	2	-	-
FDB565	21074	126	59	19	LUC	2M	-	-	-	-
FDB576	21378	130	49	15.4	AKE	2M	-	-	-	-
FDB577	20968	156	62	18	ATE	-	-	-	-	-
FDB578	20995	122	45	16	ATE	-	-	-	-	-

SPECIFICATIONS – PADS

PART No.	wva	Length	Width	Thick	System	Wear Indicator	Clip	Bolt	Pin	Spring
FDB579	20908	151	49	18	ATE	-	-	-	-	-
FDB57B	20207	94	39	12	CIT	-	-	-	-	-
FDB58	20285	31	31	7	CIT	-	-	-	-	-
FDB581	20976	112	59	17.5	ATE	-	-	4	-	-
FDB584	21190	156	51	17.5	ATE	-	-	-	-	-
FDB585	20193	118	45	15	AKE	2M	-	-	-	-
FDB586	21140	62	58	15.5	ATE	-	-	-	4	-
FDB588	21333	108	45	15	TOK	2M	-	-	-	-
FDB589	21202	141	45	18	ATE	-	-	-	-	-
FDB590	20676	157	75	19.5	ATE	2M	-	-	-	-
FDB593	21156	103	67	17.4	LUC	2M	-	-	-	-
FDB595	21185	110	60	19	LUC	2M	-	4	-	-
FDB596	21144	88	68	16.6	LUC	-	-	4	-	-
FDB597	21355	79	59	14	SUM	2M	-	-	-	-
FDB598	21322	132	50	15	AKE	2M	-	-	-	-
FDB600	21526	137	54	17	AKE	2M	-	-	-	-
FDB602	21294	119	54	15	AKE	-	-	-	-	-
FDB603	21518	115	58	17	LUC	-	-	2	-	-
FDB604	21546	129	56	16.5	LUC	-	-	2	-	-
FDB608	21520	118	65	17	LUC	2M	-	4	-	-
FDB609	21051	62	61	15.6	ATE	-	-	-	4	-
FDB610	21662	115	60	17.5	LUC	-	-	2	-	-
FDB613	21515	129	69	17.5	LUC	2M	-	4	-	-
FDB614	21296	130	69	17	BDX	4L	-	-	-	-
FDB615	20162	54	65	15	CIT	-	-	-	-	-
FDB617	21171	131	58	19	BDX	-	-	-	-	-
FDB619	21278	64	57	17	ATE	2M	-	-	-	-
FDB621	21312	89	39	12.8	AKE	2M	-	-	-	-
FDB622	21068	95	53	17	LUC	-	-	2	-	-
FDB623	21298	130	69	17	BDX	4L	-	-	-	-
FDB628	21232	114	62	16.5	BDX	-	-	-	-	-
FDB629	21024	90	71	17.5	ATE	-	-	-	-	-
FDB630	21558	100	41	13	SUM	-	-	-	-	-
FDB632	21275	123	44	17	ATE	-	-	-	-	-
FDB633	21315	127	51	15.5	SUM	2M	-	-	-	-
FDB634	20047	128	57	15.5	SUM	-	-	-	-	-
FDB635	21533	90	64	17	LUC	2M	-	2	-	-
FDB638	21553	86	46	14	SUM	2M	-	-	-	-
FDB641	21347	161	49	17	SUM	2M	-	-	-	-
FDB643	20863	142	54	16.7	LUC	-	-	-	-	-
FDB644	21197	62	59	15.5	ATE	-	-	-	-	-
FDB645	21027	62	57	15.5	ATE	-	-	-	-	-
FDB646	21153	100	74	17.5	ATE	-	-	-	-	-
FDB647	21271	95	63	17	LUC	2M	-	-	-	-
FDB648	21730	109	44	14	AKE	-	-	-	-	-
FDB649	21762	140	52	15.4	AKE	-	-	-	-	-
FDB650	21147	130	59	19	LUC	2M	-	-	-	-
FDB651	21182	110	62	19.4	LUC	2M	-	-	-	-
FDB653	21552	110	46	14	SUM	-	-	-	-	-
FDB654	21559	100	39	12.5	AKE	-	-	-	-	-
FDB660	21173	95	55	17	LUC	-	-	2	-	-
FDB667	21280	130	50	15.7	BDX	-	-	-	-	-
FDB669	21055	95	55	17.9	LUC	-	-	2	-	-
FDB670	21154	156	53	19.5	ATE	-	-	-	-	-
FDB671	21217	110	69	17.5	LUC	-	-	2	-	-

SPECIFICATIONS – PADS

PART No.	wva	Length	Width	Thick	System	Wear Indicator	Clip	Bolt	Pin	Spring
FDB676	21385	90	54	13	LUC	-	-	4	-	-
FDB678	21467	127	51	16.5	AKE	4M	-	-	-	-
FDB679	21563	130	40	13	AKE	4M	-	-	-	-
FDB685	21560	156	60	18	ATE	-	-	-	-	-
FDB686	21368	130	64	19.3	LUC	-	-	2	-	-
FDB687	21614	90	63	17	LUC	4M	-	-	-	-
FDB691	21561	136	51	17	SUM	2M	-	-	-	-
FDB693	21301	62	54	15.5	ATE	-	-	-	-	-
FDB704	20755	62	56	14.5	ATE	-	-	-	-	-
FDB707	21545	84	57	15.5	LUC	-	-	-	-	-
FDB708	21330	128	48	15	AKE	2M	-	-	-	-
FDB71	20253	68	55	16.4	LUC	2M	-	-	-	-
FDB712	21500	103	44	15	AKE	2M	-	-	-	-
FDB714	21539	91	70	15	SUM	2M	-	-	-	-
FDB715	21654	92	64	15	SUM	2M	-	-	-	-
FDB716	21529	155	54	16	AKE	2M	-	-	-	-
FDB717	21118	112	44	14.5	AKE	2M	-	-	-	-
FDB718	21338	113	47	14	AKE	2M	-	-	-	-
FDB719	21610	105	55	18	BDX	4L	-	-	-	-
FDB72	20140	109	49	15	BDX	-	-	-	-	-
FDB720	21460	100	62	18	LUC	4M	-	2	-	-
FDB721	21381	109	69	16.8	BRE	2M	-	-	-	-
FDB723	20379	77	62	15	ATE	1M	-	-	-	-
FDB724	20322	61	57	15	ATE	1M	-	-	-	-
FDB725	21292	151	57	16.4	ATE	-	-	-	-	-
FDB726	21589	87	53	14.4	LUC	-	-	-	-	-
FDB727	20361	95	49	16.5	ATE	2M	-	4	-	-
FDB728	20387	56	53	15	ATE	1M	-	-	-	-
FDB729	21061	105	55	18	BDX	4L	-	-	-	-
FDB730	21414	105	55	18	BDX	4L	-	-	-	-
FDB732	20547	140	59/49	16.5	ATE	-	-	-	-	-
FDB734	20073	109	39	17.5	BDX	2M	-	-	-	-
FDB742	21504	131	73	17	BDX	4L	-	-	-	-
FDB745	21076	72	59	17	ATE	4M	-	-	-	-
FDB746	21507	131	73	17	BDX	4L	-	-	-	-
FDB747	21459	105	72	18.3	LKD	-	-	-	-	-
FDB748	21446	128	52	17.8	AKE	2M	-	-	-	-
FDB749	21365	115	54	17	BDX	-	-	-	-	-
FDB759	21650	115	50	15	SUM	-	-	-	-	-
FDB763	21657	107	47	15	SUM	-	-	-	-	-
FDB764	21647	128	50	16	SUM	2M	-	-	-	-
FDB765	21363	150	59	15.7	AKE	2M	-	-	-	-
FDB766	21395	155	59	18	ATE	2M	-	-	-	-
FDB767	21583	156	60	18.8	ATE	2M	-	-	-	-
FDB768	21557	130	59	19	LUC	1M	-	-	-	-
FDB77	20259	109	46	14.3	AKE	-	-	-	-	-
FDB771	21515	130	73	17.5	LUC	2M	-	4	-	-
FDB772	21832	62	50	14.9	ATE	-	-	-	-	-
FDB774	20168	119	70	16	LUC	-	-	2	-	-
FDB775	20168	119	70	19.4	LUC	-	-	4	-	-
FDB776	21694	138	55	16.5	AKE	2M	-	-	-	-
FDB777	21697	131	53	15.8	AKE	2M	-	-	-	-
FDB778	21739	89	33.6	13	AKE	-	-	-	-	-
FDB779	20968	156	62	20.3	ATE	-	-	-	-	-
FDB780	21344	115	48	16	AKE	2M	-	-	-	-

SPECIFICATIONS – PADS

PART No.	wva	Length	Width	Thick	System	Wear Indicator	Clip	Bolt	Pin	Spring
FDB788	21386	128	52	15	SUM	-	-	-	-	-
FDB789	21495	128	53	16.8	AKE	2M	-	-	-	-
FDB790	21703	108	38	14.8	AKE	2M	-	-	-	-
FDB796	21713	105	47	16.7	SUM	-	-	-	-	-
FDB797	21679	119	67	15	SUM	4M	-	-	-	-
FDB798	21304	90	86	18.5	ATE	-	-	-	-	-
FDB799	21305	62	69	16	ATE	2L	-	-	-	-
FDB800	21303	100	86	18.5	ATE	-	-	-	-	-
FDB803	21706	107	41	15.5	AKE	2M	-	-	-	-
FDB804	21840	107	44	15.5	AKE	2M	-	-	-	-
FDB806	20232	115	82	17.5	LUC	2M	-	2	-	-
FDB807	21275	90	54	13	LUC	2M	-	2	-	-
FDB809H	20088	63	55	14.3	LUC	-	-	-	-	-
FDB809M	20088	63	55	14.3	LUC	-	-	-	-	-
FDB810	20089	64	64	14.3	LUC	-	-	-	-	-
FDB811	20088	64	55	14.3	LUC	-	-	-	-	-
FDB813	20153	98	60	16	LUC	2M	-	-	-	-
FDB814	20409	97	67	16	LUC	2M	-	-	-	-
FDB815	20007	80	65	15.3	LUC	-	-	-	-	-
FDB817	20380	120	72	15.5	LUC	-	-	-	-	-
FDB818	20402	79	65	15	LUC	-	-	-	-	-
FDB819	20579	63	55	14.3	LUC	2M	-	-	-	-
FDB820	20689	63	64	14.3	LUC	2M	-	-	-	-
FDB822	20059	40	39	13.5	-	-	-	-	-	-
FDB823	20037	88	64	15	LKD	-	-	-	4	-
FDB824	20038	74	64	13.5	LKD	-	-	-	4	-
FDB827	20135	97	55	18.5/10.5	LKD	-	-	-	4	-
FDB832	20577	100	72	15	LKD	-	-	-	4	4
FDB838	21019	89	70	15	LKD	2M	-	-	4	4
FDB840	20754	85	55	14.5	LKD	1M	-	-	4	-
FDB841	21160	106	76	18	LKD	1M	-	-	-	4
FDB842	20754	85	55	14.5	LKD	1M	-	-	4	-
FDB844	21238	88	72	15	LKD	-	-	-	4	4
FDB845	21463	100	65	18	LUC	2L	-	4	-	-
FDB846	21625	151	49	18	ATE	2M	-	-	-	-
FDB848	20076	108	43	15	AKE	2M	-	-	-	-
FDB849	21391	95/129	44/47	14	AKE	-	-	-	-	-
FDB85	20703	78	62	14.2	SUM	-	-	-	-	-
FDB850	20180	123	43.6	16.7	ATE	-	-	-	-	-
FDB853	20779	119	70	16	LUC	2M	-	2	-	-
FDB854	21439	108	75.3	19.5	LUC	-	-	2	-	-
FDB855	21219	100/107	61/68	16.5/17.5	ATE	-	-	-	-	-
FDB856	21284	156	71.5	18.5	ATE	-	-	-	-	-
FDB857	21282	123	59.4	17.3	ATE	-	-	-	-	-
FDB859	21626	121	45	15	AKE	-	-	-	-	-
FDB867	21601	133	53	16.6	AKE	2M	-	-	-	-
FDB868	21791	141	62.5	17	AKE	-	-	-	-	-
FDB869	21766	100	42.5	13.5	SUM	-	-	-	-	-
FDB87	20302	79	56	14.5	SUM	-	-	-	-	-
FDB871	21519	127	69	18	LKD	-	-	-	-	-
FDB872	23471	89	69	15	LKD	-	-	-	-	-
FDB874	21631	131	60.8	17	BDX	4L	-	-	-	-
FDB875	21632	131	69.2	16	BDX	4L	-	-	-	-
FDB876	21430	141	47.8	17.3	ATE	2M	-	-	-	-
FDB877	21600	105	58	11	BDX	-	-	4	-	-

SPECIFICATIONS – PADS

PART No.	wva	Length	Width	Thick	System	Wear Indicator	Clip	Bolt	Pin	Spring
FDB878	20410	126	59	14.8	LUC	-	-	-	-	-
FDB880	20236	110	66	18	LUC	2M	-	2	-	-
FDB881	20634	105	58	15	BDX	-	-	-	-	-
FDB884	21394	155	59	17.5	ATE	-	-	-	-	-
FDB891	21402	132	75	17.5	BRE	1L	-	-	-	-
FDB896	21962	151	49	18	ATE	-	-	-	-	-
FDB897	20147	152	50.5	17	ATE	-	-	-	-	-
FDB9	20027	100	68	16	LUC	-	-	-	-	-
FDB901	21411	156	60.9/71	17.5	ATE	-	-	-	-	-
FDB904	21497	138	53	18.5	AKE	2M	-	-	-	-
FDB905	21651	149	57	18.5	LUC	2M	-	-	-	-
FDB906	21418	99	61.5	15.8	LUC	-	-	-	-	-
FDB909	21481	145	57	15.5	LUC	-	-	-	-	-
FDB912	23218	151	49	18	ATE	2M	-	-	-	-
FDB913	21586	116	57	15	BDX	2L	-	-	-	-
FDB915	21729	90	53	13.5	LUC	2M	-	4	-	-
FDB917	21682	85	63	14.5	LUC	2M	-	4	-	-
FDB918	21547	109	49.9	15.1	SUM	2M	-	-	-	-
FDB92	20281	51	58	15	ATE	-	-	-	-	-
FDB920	21820	177	56/58	15.5/16	KEL	-	-	-	-	-
FDB921		110	44.5/47	13.8/15.5	KEL	2M	-	-	-	-
FDB922	21810	155/210	57	17/18	KEL	-	-	-	-	-
FDB923		151	53	16.5	KEL	-	-	-	-	-
FDB925	21436	115	55	17	BDX	1L	-	-	-	-
FDB926	21818	154/220	57/62	18.5/19.2	KEL	2M	-	-	-	-
FDB927	21809	165	62	18	KEL	2M	-	-	-	-
FDB928	21961	141	57	15.5	AKE	-	-	-	-	-
FDB929	21822	177	55	17	KEL	-	-	-	-	-
FDB93	20641	56	53	15	ATE	-	-	-	-	-
FDB930	21780	128/137	52/55	15.5	AKE	2M	-	-	-	-
FDB931	21688	120	43	15.3	AKE	-	-	-	-	-
FDB932	23009	127/129	54.8/57.4	15.6	AKE	2M	-	-	-	-
FDB936	21745	128	52	17	SUM	2M	-	-	-	-
FDB937	20098	128	50	16.4	SUM	-	-	-	-	-
FDB940	21716	115	51	15.9	AKE	-	-	-	-	-
FDB943	21948	106/133	46/55	13	AKE	2M	-	-	-	-
FDB945	21790	117	40	15.6	AKE	-	-	-	-	-
FDB948	21482	128	58	17	AKE	2M	-	-	-	-
FDB950	21754	132	52	15.5	SUM	4M	-	-	-	-
FDB951	21366	119	70	19.6	LUC	2M	-	2	-	-
FDB953	21211	156	63.5	18.5	ATE	2M	-	-	-	-
FDB954	20669	119	70	19.6	LUC	2M	-	2	-	-
FDB956	21719	89	47.5	14.5	NIS	2M	-	2	-	-
FDB96	20166	84	60	15.9	BDX	-	-	-	-	-
FDB969	21911	157	75	19.5	ATE	-	-	-	-	-
FDB972	21424	110	65	17	LUC	2M	-	-	-	-
FDB973	21050	62	61	17.7	ATE	-	2	-	4	-
FDB974	21968	89	49	14.5/13.8	AKE	-	2	-	-	-
FDB975		148/213	69/70	16/17	KEL	2M	-	-	-	-
FDB976	21812	165/173	57/65	16/18.2	KEL	2M	-	-	-	-
FDB977	21815	165	61/63	16.2/18.3	KEL	2M	-	-	-	-
FDB978	21807	164	60	18	KEL	-	-	-	-	-
FDB979	20687	62	55	15.5	ATE	-	-	-	-	-
FDB98	20288	77	83	16	CIT	4M	-	-	-	-
FDB980	23452	145	67	18.2	LUC	-	-	2	-	-

SPECIFICATIONS – PADS

PART No.	wva	Length	Width	Thick	System	Wear Indicator	Clip	Bolt	Pin	Spring
FDB981	23458	95	52	15.4	LUC	-	-	2	-	-
FDB984	21754	132	51.5	15.5	SUM	2M	-	-	-	-
FDB985	21452	78/86	64/76	17.5	LUC	2M	-	-	-	-
FDB986	21307	119	62/71	14.5	SUM	2M	-	-	4	4
FDB99	20297	54	60	12	CIT	-	-	-	-	-
FDB991	21245	129	68	17.5	LUC	-	-	4	-	-
FDB992	23454	89	45	15	SUM	-	-	-	-	-
FDB993	20039	92	64	15	SUM	2M	-	-	-	-
FDB994	21147	130	59	19	LUC	2M	-	-	-	-
FDB995	21605	90	54	16.2	LUC	-	-	-	-	-
FDB997	21486	156	74	18	ATE	-	-	-	-	-
FDB998	21471	120	74	18	BRE	-	-	-	-	-
FDB999	23169	95	49	18	LUC	4M	-	2	-	-
FVR1000	21801	130	59	19	LUC	4M	-	4	-	-
FVR1002	23003	140	69	19	BDX	2L	-	-	-	-
FVR1014	23081	130	73	19	LUC	2M	-	-	-	-
FVR1038	21576	156	65	19	ATE	2L	-	-	-	-
FVR1039	21621	141	49	17	ATE	2L	-	-	-	-
FVR1044	21278	64	57.4	17	ATE	2M	-	-	-	-
FVR1102	29121	165	66	20	BRE	-	-	-	-	-
FVR1131	20652									
	21635	91	81	18.2	LUC	-	-	-	-	-
FVR1132	21882	95	57.3	17.3	LUC	-	-	4	-	-
FVR1163	21883	156	68.5	19.6	ATE	-	-	-	-	-
FVR129	20280	90	74	18.2	ATE	-	-	-	-	-
FVR1292	23302	139	66.5	17.8	BOSCH	-	-	-	-	-
FVR1304	23022	135	66	20.6	BOSCH	-	-	-	-	-
FVR1305	23020	104	53	17.9	BOSCH	2	-	-	-	-
FVR1306	23021	126	63	18.6	BOSCH	-	-	-	-	-
FVR1315	29121	165	66	18	BRE	-	-	-	-	-
FVR1338	21470	137	65	18	BDX	2L	-	-	-	-
FVR1339	21469	137	74	18	BDX	2L	-	-	-	-
FVR1350	29001	175	70	20	PER	2M	-	-	-	-
FVR1351	29138	149	69	18	WABCO	2M	-	-	-	-
FVR1352	29139	110	73	18.3	BRE	2M	-	-	-	-
FVR1353	29140	110	73	18.3	BRE	2M	-	-	-	-
FVR1381	23434	169	63.5	18.7	BOSCH	2M	-	-	-	-
FVR1390	29160	164	69	20	BRE	-	-	-	-	-
FVR1396	21797	145	61	18.9	LUC	1M	-	-	-	-
FVR1397	21799	160	64.3	18.9	LUC	1M	-	-	-	-
FVR1405	29123	107	61	20	BRE	-	-	-	-	-
FVR1452	23613	138	79.7	17.8	BOSCH	-	-	-	-	-
FVR1453	23669	116	51.4	18.8	BOSCH	-	-	4	-	-
FVR1461	23840	169	62.5	18.7	BOSCH	2M	-	2	-	-
FVR1478	23917	141	65.9	19.1	BRE	2M	-	-	-	-
FVR1479	23919	165	69.3	19.1	BRE	2M	-	-	-	-
FVR1480	23921	110	49.9	20.1	BRE	-	-	-	-	-
FVR1484	23034	157	78.9	18.9	ATE	2M	-	-	-	-
FVR1492	20651	91	81	18.2	TRW	1M	2	-	-	-
FVR1493	24007	162	60.7	21	BOSCH	2L	4+4	2	-	-
FVR1494	24008	99	48.8	18.5	BOSCH	2L	4+4	2	-	-
FVR1497	23269	161	72.9/74.4	20.1	ATE	2M	-	-	-	-
FVR1498	23536	147	53.8	16.5	MAN	2M	-	-	-	-
FVR1515	23099	145	62.3	18.1	TRW	-	-	4	-	-
FVR1516	23980	95	57	17	TRW	-	-	4	-	-

SPECIFICATIONS – PADS

PART No.	wva	Length	Width	Thick	System	Wear Indicator	Clip	Bolt	Pin	Spring
FVR1518	21883	156	68.5	19.6	ATE	1M	-	-	-	-
FVR1519	21479	130	65.5	19	TRW	1M	-	2	-	-
FVR1568	23440	156	67.2	17.6	ATE	-	-	-	-	-
FVR1616	23434	169	64.5	17.9	BOSCH	2M	-	2	-	2
FVR1642	23746	155.2/156.2	73.2/75	18.6/19.8	ATE	1L	2	-	-	-
FVR1643	23746	155.2/156.4	73.35/74.85	17.7/18.1	ATE	1M	2	-	-	-
FVR1644	23326	116	-	-	TRW	1M	-	4	-	4
FVR1647	24367	140.7/141.3	50.9/53.9	19.2	ATE	1M	-	-	-	-
FVR1701	23501	133.3	53.5	17.9	-	-	8	-	-	-
FVR1761	29208	150	56.1	17	-	2M	4	-	-	-
FVR1771	24608	162.25	67.4	18.5	-	1M	4	4	-	-
FVR1772	24578	113.45	58.4	16.65	TRW	-	4	4	-	-
FVR1774	24358	168.8	58.3	18.2	BOSCH	2M	-	-	-	-
FVR1777	29200	169.3	73.5	20.7	BRE	-	4	4	-	-
FVR1778	29192	163.2	66.9	20.8	BRE	-	4	4	-	-
FVR1779	29217	164.98	78.4	20.6	BOSCH	-	-	4	-	-
FVR1780	29190	136.9	63	19.7	BOSCH	2L	4+4	2	-	-
FVR179	20488	105	56	18.5	BDX	2L	-	-	-	-
FVR1791	29237	164.7	68.1	20.4	BRE	2	-	4	-	2+4
FVR1876	21592	156.4	55.2	18.5	ATE	-	-	-	-	-
FVR1879	29153	164.6	73	19.7	PER	-	-	-	-	-
FVR1884	21468	145.4	57.4	15.5	SUM	-	-	-	-	-
FVR1906	24343	125.2	60	20	SUM	-	8+8	-	-	-
FVR1923	24468	169.3	61.6	19.2	BRE	1M	4	4	-	-
FVR1924	24468	169.3	61.6	19.2	BRE	1M	4	4	-	-
FVR1925	24466	169.3	69.2	19	BRE	1M	4	4	-	-
FVR1926	24466	169.3	69.2	19	BRE	1M	4	4	-	-
FVR1927	24465	136.9	48.8	18.8	BRE	-	4+4	4	-	-
FVR1928	24484	164.9	66.6	18.8	-	2L	4+4	2	-	-
FVR1929	24485	164.9	65.1	18.8	-	2L	4+4	2	-	-
FVR1930	24486	122.9	53.6	17.2	-	2L	4+4	2	-	-
FVR1977	29160	164.8	68	20.3	BRE	2	2	-	-	-
FVR215	20628	130	51	16.3	SUM	-	-	-	-	-
FVR239	29784	149	74	18	-	-	-	-	-	-
FVR287	20741	130	73	19	LUC	2M	-	4	-	-
FVR295	21255	111/116	50	15	KEL	4M	-	-	-	-
FVR302	20366	144	58	15	BDX	2L	-	-	-	-
FVR321	20972	142	53	16.5	AKE	-	-	-	-	-
FVR369	20971	130	51	16.3	AKE	2L	-	-	-	-
FVR377	21048	110	74	18.3	BRE	4M	-	-	-	-
FVR4036	29229	163.3	67.1	20.7	BRE	-	4	4	-	-
FVR4037	29232	141.3	72.5	20.7	BRE	-	4	4	-	-
FVR4038	29122	174.8	85.5	22.1	BRE	-	-	-	-	-
FVR4039	29231	184.2	64.2	22.7	BRE	-	4	4	-	-
FVR4053	-	163.3	67.1	20.7	BRE	2M	4	4	-	-
FVR4054	24589 23921 23860	109.8	50	20.5	BRE	2M	-	4	-	-
FVR414	20926	154	56	18.5	BDX	2L	-	-	-	-
FVR4140	29123	109.8	63.5	20	BRE	-	-	4	-	-
FVR4156	29121	164.8	66.5	20.3	BRE	2M	4	4	-	-
FVR418	21115	133	48	16	SUM	2L	-	-	-	-
FVR4248	29160	164.8	68	20	BRE	2M	-	4	-	-
FVR450	21141	114	58	18	BDX	-	-	-	-	-
FVR492	21006	149	69	18	WABCO	4M	-	-	-	-

SPECIFICATIONS – PADS

PART No.	wva	Length	Width	Thick	System	Wear Indicator	Clip	Bolt	Pin	Spring
FVR505	20880	118	49	15	AKE	2M	-	-	-	-
FVR510	21205	145	70	19.3	LUC	2M	-	-	-	-
FVR511	21048	110	73	18.3	BRE	2M	-	-	-	-
FVR516	29040	149	69	18	PER	2M	-	-	-	-
FVR517	20979	130	56	19.5	LUC	-	-	2	-	-
FVR543	20653	102	75	18	LKD	2M	-	-	-	4
FVR547	20002	133	47	14.5	AKE	-	-	-	-	-
FVR549	20780	79	64	13.5	SUM	-	-	-	-	-
FVR626	20366	144	59	18	BDX	2L	-	-	-	-
FVR641	21347	161	49	17	SUM	2M	-	-	-	-
FVR655	29041	110	73	18.3	BRE	2M	-	-	-	-
FVR656	21480	105	75	18	LKD	2M	-	-	-	-
FVR690	20904	123	70	18	LKD	-	-	-	4	-
FVR700	21470	139	65	18	BDX	-	-	-	-	-
FVR701	21469	137	74	18	BDX	-	-	-	-	-
FVR709	20465	149	69	18	WABCO	2M	-	-	-	-
FVR713	29013	110	73	18.3	BRE	2M	-	-	-	-
FVR722	20652	92	80	18.2	LUC	-	2	-	-	-
FVR752	20932	146	61	14	BDX	-	-	-	-	-
FVR757	20002	133	52	14.5	AKE	2M	-	-	-	-
FVR785	20124	130	54.5	19	LUC	-	-	2	-	-
FVR791	29706	167	62	17	TRW	-	-	-	-	-
FVR805	20380	122	71	15.5	LUC	2M	-	-	-	-
FVR829	20359	102	75	18	LKD	-	-	-	4	-
FVR833	20364	90	70	15	LKD	-	-	-	4	4
FVR836	20904	127	71	18	LKD	-	-	-	4	-
FVR839	20759	102	75	18	LKD	4M	-	-	-	-
FVR84	20011	77	70	18.5	ATE	-	-	-	-	-
FVR852	29001	174	69	20	WABCO	2M	-	-	-	-
FVR886	20359	102	75	18	LKD	-	-	-	-	4
FVR941	21573	146	61	14	BDX	-	-	4	-	-
FVR949	21689	140	55	15.5	SUM	-	-	-	-	-
FVR967	21797	145	60	18.7	LUC	2M	-	-	-	-
FVR968	21799	160	64	18.7	LUC	2M	-	-	-	-
FVR970	21479	130	65.5	19	LUC	-	-	2	-	-
FVR989	20759	102	75	18	LKD	-	-	-	-	-

BUYERS GUIDE FRONT DISC PADS

PART No.	MAKE	MODEL	YEAR	FR
D267	CHRYSLER	SE	1978 - 80	FR
D412	FORD	F SERIES F 350	1974 - 81	FR
D413	FORD	FAIRLANE V8	1962 - 74	FR
		FAIRMONT GT	1970 - 73	FR
		GALAXIE - IMPORTED	1968 - on	FR
D414	FORD	RANCHERO IMPORTED	1969 - 74	FR
D422	FORD	F SERIES F 100	1974 - 81	FR
D426	383	383	1969 - 74	FR
	DODGE	CHARGER	1972 - 75	FR
D427	DODGE	D 100 & D 200	1975 - 80	FR
D430	CHEVROLET	C30	1976 - 77	FR
D433	CHRYSLER	JEEP CJ7	1977 - 79	FR
D442/412	FORD	F SERIES F 250	1966 - 81	FR
FBD1137	ALFA 1	46 2.0 TI TWIN SPARK SEDAN	01/97-99	FR
FCV239	MERCEDES BENZ	GELANDEWAGEN	1989 - on	FR
		TFM SCOUT 4X2 TFM SCOUT 4X2	1989 - on	FR
FCV501	MERCEDES BENZ	SPEEDLINER SPEEDLINER	1989 - on	FR
FD1881	NISSAN	MURANO 3.5I V6	2006 - on	FR
FD25L	WESTMINISTER	ALL MODELS	1964 - 67	FR
	WOLSELEY	WOLSELEY 6-110	1964 - 67	FR
FD29L	HILLMAN	HUNTER ARROW W/OUT SERVO	1967 - 69	FR
	TRIUMPH	2000	1965 - 68	FR
FD35L	HILLMAN	HUNTER ARROW & VOGUE	1969 - 72	FR
	HUMBER	SCEPTRE	1969 - 70	FR
FD44L	TRIUMPH	2500 PI	1971 - 73	FR
FD517	FIAT	2300	1965 - 69	FR
FD519	FORD	ZEPHYR & ZODIAC ZEPHYR	1965 - 66	FR
FD525	AUSTIN	1800	1966 - 73	FR
	WOLSELEY	1800 & MK 12	1965 - 69	FR
	FORD	CAPRI ALL MODELS	1969 - 70	FR
		CORTINA GT	1967 - 71	FR
		CORTINA 1600 XL	1969 - 71	FR
		COSAIR ALL MODELS	1966 - 68	FR
		ZEPHYR & ZODIAC ZEPHYR	1966 - 69	FR
		ZODIAC	1966 - 69	FR
	HILLMAN	HD 225 SPECIAL HD 225 SPECIAL	1965 - 68	FR
		KINGSWOOD, PREMIER & MONARO KINGSWOOD, PREMIER & MONARO	1968 - 71	FR
	TRIUMPH	2000 & MK 2	1968 - 72	FR
		TR 3	1961 - 63	FR
FD528	TRIUMPH	HERALD 1250	1963 - 67	FR
	VAUXHAUL	VIVA - ALTERNATE	1963 - 68	FR
FD531	LOTUS	ECLAT - ALLOY WHEELS	1974 - on	FR
FD535	MARINA	1.3 & 1.8	1973 - 75	FR
	CHEVROLET	FIRENZA 1.2 & 2.5 FIRENZA 1.2 & 2.5	1971 - 73	FR
		HATCH 1300	1975 - 78	FR
	MITSUBISHI	1600 GS	1971 - 72	FR
	FORD	CORTINA 1200, 1300 & 1500	1965 - 71	FR
		CORTINA SUPER	1967 - 71	FR
		ESCORT 1.6 GT	1970 - 72	FR
		ESCORT 1.6L & XL	1970 - 75	FR
	HILLMAN	AVENGER 1600	1974 - 78	FR
	MAZDA	1300	1970 - 74	FR
	NISSAN	140 SERIES ALL MODELS	1975 - 80	FR
		160 & 1600 SERIES 1600 & 1600 SSS - LOCAL	1969 - 73	FR

BUYERS GUIDE FRONT DISC PADS

PART No.	MAKE	MODEL	YEAR	FR
		160 & 1600 SERIES 160U - ALL MODELS	1974 - 78	FR
		160 & 1600 SERIES 160Y	1978 - 80	FR
		180 & 1800 SERIES 180U - ALL MODELS	1974 - 78	FR
		120Y - 140Y 140Y P/ UP	1980 - 85	FR
		1400 1400 PANEL VAN	1980 - 83	FR
		1400 1400 P/ UP	1980 - 85	FR
	PEUGEOT	304 - 305 304	1970 - 71	FR
	TOYOTA	COROLLA 1200	1978 - 80	FR
		COROLLA 1600	1975 - 80	FR
		CORONA 1600	1969 - 71	FR
		CORONA 1700	1971 - 74	FR
		CORONA 1800	1974 - 80	FR
		CORONA 1900	1969 - 73	FR
		CORONA 2000	1972 - 78	FR
		1200 LDV WITH DISCS	1980 - on	FR
	TRIUMPH	1500	1972 - 73	FR
	VAUXHAUL	VIVA GT	1969 - 71	FR
FD538	PEUGEOT	204	1966 - 70	FR
FD541	MAZDA	616 SERIES LUCE, CAPELLA & RX2 - ALTERNATE	1971 - 79	FR
FD545	VOVLO	144 - 164 144S	1968 - 72	FR
FD547	CHEVROLET	CONSTANTIA & KOMMANDO	1969 - 72	FR
	CHRYSLER	SE	1975 - 78	FR
		VALIANT - ALL MODELS	1970 - 79	FR
		VALIANT RUSTLER	1972 - 78	FR
	DODGE	SE & AVENGER	1973 - 78	FR
	PROTON	ALL OTHER MODELS WITH DISCS	1970 - 76	FR
	TOYOTA	CORONA 2000 - ALTERNATE	1972 - 78	FR
FD556	MASERATI	ALL MODELS	1968 - 81	FR
FD558	CHEVAIR	ALL MODELS	1976 - 82	FR
	HUSKY	HUSKY	1974 - 78	FR
	MARINA	1750 & 2.6 - S.A.	1976 - 77	FR
	CHEVROLET	2500, 3800 & 4100	1974 - 78	FR
		ASCONA	1978 - 82	FR
		FIRENZA 2.5SL	1973 - 75	FR
		HATCH 1900	1975 - 78	FR
		COMMODORE - ALL MODELS	1978 - 82	FR
		SENATOR	1979 - 82	FR
		SENATOR - ALTERNATE	1979 - 82	FR
		NOMAD	1976 - 80	FR
	MITSUBISHI	1600 GL & 2000 GS	1976 - 77	FR
		GALANT - LOCAL CALIPER	1977 - 84	FR
		GALANT 2.6	1977 - 84	FR
	FORD	CAPRI ALL MODELS	1970 - 73	FR
		CORTINA 2.0 GT	1971 - 73	FR
		CORTINA 1.6 & L, 2.0L & XL	1971 - 77	FR
		CORTINA 1.6G ; GL ; 2.0 GL ; GLE	1977 - 80	FR
		CORTINA 1.3L	1978 - 80	FR
		CORTINA 1.3L ; 1.6L & GL	1980 - 83	FR
		ESCORT 1.3L & 1.6 GL	1975 - 81	FR
		ESCORT RS 2000	1978 - 80	FR
		ESCORT 1600 SPORT	1979 - 81	FR
		GRANADA 2.0	1978 - 85	FR
		CORTINA BAKKIE 1.6, 2.0 & 2.5	1971 - 77	FR
		CORTINA BAKKIE 1.6	1977 - 86	FR
		ESCORT PANELVAN	1975 - 81	FR

BUYERS GUIDE FRONT DISC PADS

PART No.	MAKE	MODEL	YEAR	FR	
	HILLMAN	HUNTER VOGUE	1972 - 77	FR	
	MAZDA 616	SERIES LUCE, CAPELLA & RX2	1971 - 79	FR	
	NISSAN	160 & 1600 SERIES 1600 - ALL MODELS	1978 - 80	FR	
		160 & 1600 SERIES 160Z	1978 - 80	FR	
		180 & 1800 SERIES 1800 - ALL MODELS	1978 - 80	FR	
		200 - 370 SERIES 200L & 280 SERIES	1978 - 80	FR	
		200 - 370 SERIES 240C, 260C & 300C	1973 - 78	FR	
		LAUREL 2.0 & 2.8 - 2ND ALTERNATIVE	1980 - 87	FR	
		STANZA ALL MODELS	1980 - 84	FR	
		OPEL	ASCONA - CHEVROLET	1978 - 82	FR
	COMMODORE 2.8		1982 - 83	FR	
	COMMODORE 3.0		1985 - 89	FR	
	COMMODORE 3.0 - ALTERNATE		1985 - 89	FR	
	REKORD - ALL MODELS		1982 - 91	FR	
	SENATOR 3.0		1982 - 86	FR	
	TOYOTA	CORONA 1800 - ALTERNATE	1974 - 80	FR	
		CORONA 2000 SL	1978 - 80	FR	
		CRESSIDA ALL MODELS	1976 - 80	FR	
	TRIUMPH	2500 PI 2500 PI	1974 - 76	FR	
		CHICANE 2.5 TC	1973 - 78	FR	
FD558/559		FORD	CORTINA GHIA & 3.0S	1977 - 80	FR
	CORTINA 2.0 GL & GHIA		1980 - 83	FR	
FD559	FORD	CORTINA MK3 2.5 & 3.0 V6	1972 - 77	FR	
		CORTINA 3.0 GL	1979 - 80	FR	
		CORTINA XR6	1980 - 83	FR	
		CORTINA 3.0 GLS S/WAGON	1980 - 84	FR	
		CORTINA BAKKIE 3.0	1977 - 86	FR	
		CORTINA BAKKIE 2.4 DIESEL	1982 - 85	FR	
		ROVER	2.6 SD & SDX	1978 - 84	FR
			3.5 SDE & SDX	1978 - 84	FR
FD568	LOTUS	ECLAT - STEEL WHEELS	1974 - on	FR	
FD710	JAGUAR	3.8 S TYPE	1967 - 68	FR	
FD715	JAGUAR	420, MK10 & 420G	1965 - 72	FR	
FD9L	MINI	COOPER	1961 - 63	FR	
FDB10	CITROEN	ID 19	1959 - 66	FR	
FDB1000	FIAT	ULYSSE 2.0 I.E.	1998 - 01	FR	
		PEUGEOT	806 ST 2.0	1996 - 02	FR
			806 ST 2.0 (TURBO MODELS)	1996 - 02	FR
FDB1001	AUDI	TT SERIES 3.2 V6	07/04 - on	FR	
	BMW	7 SERIES 750i L (E38)	1995 - on	FR	
	MERCEDES BENZ	ALK SERIES (W208 CABRIOLET ALK 430)	08/99 - on	FR	
		CLK SERIES (A208 COUPE SER CLK430)	08/99 - on	FR	
		E-CLASS (W210 SERIES) E430, E430TE	08/99 - 02	FR	
		SLK SERIES (R170 ROADSTER SLK32 AMG)	2001 - on	FR	
FDB1002	FIAT	ULYSSE 1.8	2000 - on	FR	
FDB1009	DAIHATSU	GRAN MOVE	1997 - on	FR	
FDB101	LANCIA	BETA ALL MODELS	1974 - on	FR	
FDB1011	MAZDA	MX SERIES MX-5 1.8	1994 - 99	FR	
FDB1014	H 100	H 100 (ALL MODELS) - ALT	1998 - 2004	FR	
	HYUNDAI	1 TON BAKKIE & PANEL VAN (ALL MODELS)	1997 - 2004	FR	
		H 100 (ALL MODELS)	1998 - 2004	FR	
FDB1015	ISUZU	TROOPER 3.2 V6	1991 - 2000	FR	
FDB1016	NISSAN	PATROL 4.2 4X4 S/WAGON	1994 - 01	FR	
FDB1020	SUZUKI	VITARA 1.6 (ALTERNATE 1)	1994 - 98	FR	
		VITARA 2.0 V6 (ALTERNATE 1)	1995 - 99	FR	

BUYERS GUIDE FRONT DISC PADS

PART No.	MAKE	MODEL	YEAR	FR
FDB1024	VOLVO	960 3.0 (ALL MODELS)	1994 - 00	FR
		960 3.0 (ALL MODELS) - ALTERNATE	1994 - 00	FR
		S90/V90/XC90 S90 SEDAN, V90 ESTATE (ALL MODELS)	1997 - on	FR
FDB1025	FORD	COURIER BAKKIE 2500 4X4 (ALL MODELS)	1997 - 00	FR
		COURIER BAKKIE 3400 4X4	1997 - 00	FR
FDB1037	MAZDA	B SERIES B2500 TD 4X4, DOUBLE CAB 4X4	97 - 02/00	FR
		B SERIES B3400 4X4	1997 - 00	FR
FDB1038	MERCEDES BENZ	ALK SERIES (W208 CABRIOLET ALK 430 (ALTERNATIVE)	>07/99	FR
		CLK SERIES (A208 COUPE SER CLK430 (ALTERNATIVE)	06/03 - on	FR
		SL-CLASS (R129 SERIES) SL320	1994 - 01	FR
		SL-CLASS (R129 SERIES) SL500	1994 - on	FR
FDB1038	VITO	112 CDI 2.2 (WITH ATE CALIPERS)	2002 - on	FR
FDB1049	MERCEDES BENZ	C-CLASS (W202 SERIES) C230 KOMPRESSOR	1996 - 00	FR
		C-CLASS (W202 SERIES) C240 ELEGANCE	1998 - on	FR
		C-CLASS (W202 SERIES) C250 TD CLASSIC	06/97 - 01	FR
			1996 - 05/97	FR
		C-CLASS (W202 SERIES) C280 ELEGANCE	06/97 - 01	FR
			1994 - 05/97	FR
		CLK SERIES (A208 COUPE SER CLK200 & CLK200 KOMPRESSOR	1997 - on	FR
		CLK SERIES (A208 COUPE SER CLK230 KOMPRESSOR	1997 - on	FR
		E-CLASS (W210 SERIES) E220, E230	1996 - 99	FR
		E-CLASS (W210 SERIES) E220, E230 (ALTERNATE)	1996 - 99	FR
		E-CLASS (W210 SERIES) E240	1998 - on	FR
		E-CLASS (W210 SERIES) E270 CDI	2001 - on	FR
		SLK SERIES (R170 ROADSTER SLK200 & SLK200 COMPRESSOR	1996 - on	FR
		SLK SERIES (R170 ROADSTER SLK230 KOMPRESSOR	1996 - 00	FR
FDB105	VW	PASSAT ALL MODELS - MANUAL	1974 - 82	FR
FDB1050	CHRYSLER	CROSSFIRE 3.2 V6 (ALL MODELS)	2003 - on	FR
	MERCEDES BENZ	ALK SERIES (W208 CABRIOLET ALK 230 & 320	1999 - on	FR
		ALK SERIES (W208 CABRIOLET ALK 430	>07/99	FR
		CLK SERIES (A208 COUPE SER CLK320	1997 - on	FR
		CLK SERIES (A208 COUPE SER CLK430	06/03 - on	FR
		E-CLASS (W210 SERIES) E200 KOMPRESSOR	2001 - 02	FR
		E-CLASS (W210 SERIES) E200 KOMPRESSOR (ALTERNATE)	2001 - 02	FR
		E-CLASS (W210 SERIES) E240 (ALTERNATE)	1998 - on	FR
		E-CLASS (W210 SERIES) E270 CDI (ALTERNATE)	2001 - on	FR
		E-CLASS (W210 SERIES) E280	2001 - on	FR
		E-CLASS (W210 SERIES) E280, E280 V6	1997 - 01	FR
		E-CLASS (W210 SERIES) E280, E280 V6 (ALTERNATE)	1997 - 01	FR
		E-CLASS (W210 SERIES) E320	1996 - on	FR
		E-CLASS (W210 SERIES) E320 V6, E320TE	1997 - on	FR
		E-CLASS (W210 SERIES) E320 V6, E320TE (ALTERNATE)	1997 - on	FR
		E-CLASS (W210 SERIES) E430, E430TE (ALTERNATE)	08/99 - 02	FR
SLK SERIES (R170 ROADSTER SLK320	2000 - on	FR		
FDB1052	ALFA	145 2.0 QUADRIFOGLIO	03/95 - 12/96	FR
		146 2.0 TI TWIN SPARK SEDAN	03/95 - 12/96	FR
		147 1.6 PROGRESSION	07/02 - on	FR
		147 1.6 TS 16V	2001 - on	FR
		147 1.9 JTD	10/04 - on	FR
		147 2.0 DISTINCTIVE	07/02 - on	FR
		147 2.0 SELESPEED	2001 - on	FR
		155 2.0 TWIN SPARK	05/96 - 99	FR
		155 2.5 V6 EXEC	05/96 - 99	FR
		156 1.9 JTD	11/04 - on	FR

BUYERS GUIDE FRONT DISC PADS

PART No.	MAKE	MODEL	YEAR	FR
		156 2.0 TWIN SPARK, 2.5 V6 (SEDANS)	1997 - on	FR
		156 2.4 JTD	05/03 - on	FR
		156 2.5 V6 SPORTWAGON	2000 - on	FR
		GT - GTV GT 1.9 JTD	2005 - on	FR
	FIAT	MULTIPLA 1.6	10/04 - on	FR
		MULTIPLA 1.9 JTD MPV	04/03 - 10/04	FR
		PUNTO 1.8 HGT	07/04 - on	FR
FDB1054	VW	POLO CLASSIC I 1.4I - WITH SOLID DISC	10/96 - 01/97	FR
FDB1055	VW	SHARAN 1.8 TURBO, 2.8 VR6	98 - 04/00	FR
FDB1063	CITROEN	XSARA 2.0 VTS COUPE	2001 - on	FR
	PEUGEOT	306 GTI 2.0 - FROM CHASSIS NO. S 32 000 001	1998 - on	FR
		406 SI, SLI, STI, ESTATE	1996 - on	FR
		406 SRI 2.0, ST 2.0	1996 - on	FR
		406 ST 2.0 HDI	08/02 - on	FR
		406 ST 2.2	2001 - on	FR
		406 SV 3.0 V6	1997 - on	FR
FDB1073	BMW	3 SERIES 330CI (E46)	2000 - on	FR
		3 SERIES 330I (E46)	2000 - on	FR
		3 SERIES 330D (E46)	2001 - on	FR
		5 SERIES 523I (E39)	1998 - 02	FR
		5 SERIES 525I (E39)	2000 - on	FR
		5 SERIES 528I (E39)	07/96 - 01	FR
		5 SERIES 530D & 530I (E39)	2000 - on	FR
		X-3 SERIES 2.0D (E83)	2004 - on	FR
		X-3 SERIES 2.5I ((E83)	2004 - on	FR
		X-3 SERIES 2.5 SI (E83)	2006 - on	FR
		X-3 SERIES 3.0 SI ((E83)	2006 - on	FR
		X-3 SERIES 3.0I (E83)	2004 - on	FR
		X-3 SERIES 3.0D (E83)	2005 - on	FR
		Z SERIES Z4 3.0 SI (E86) COUPE	2006 - on	FR
FDB1084	FORD	FALCON FAIRMONT, FUTURA, GLI, XR6	1996 - on	FR
			1997 - on	FR
		RANCHERO 4.0 GLI UTE, BK & XR6	1997 - 99	FR
FDB1085	RENAULT	SPIDER 2.0 RT	1996 - on	FR
FDB1093	VOLVO	S40/V40 S40 SEDAN, V40 ESTATE (ALL MODELS)	1996 - 06/97	FR
FDB1094	AUDI	A3 1,8 (NON TURBO) - WITHOUT WEAR SENSOR	1998 - 99	FR
	SEAT	SKODA FABIA 1.4 16V	1999- on	FR
		SKODA FABIA 1.916V	1999- on	FR
		SKODA OCTAVIA 1.8 20 V	1999-on	FR
		SKODA OCTAVIA 1.9 TURBO DIESEL	1999-on	FR
	VW	GOLF 4 1.6I (ALL MODELS) - WITHOUT WEAR SENSOR	1999 - 1999	FR
		GOLF 4 1.9 TDI - NO WEAR SENSOR	1999 - 1999	FR
		GOLF 4 2.0I (ALL MODELS) - WITHOUT WEAR SENSOR	1999 - 1999	FR
		JETTA 4 1.6I (ALL MODELS) - WITHOUT WEAR SENSOR	1999 - 1999	FR
		JETTA 4 1.9 TDI - NO WEAR SENSOR	1999 - 1999	FR
		JETTA 4 2.0I (ALL MODELS) - WITHOUT WEAR SENSOR	1999 - 1999	FR
		POLO CLASSIC II 1.4, 1.4 TDI, 1.6 (MODELS WITHOUT WEAR SENSOR)	10/02 - on	FR
		POLO HATCH 1.4, 1.4 TDI, 1.6 (MODELS WITHOUT WEAR SENSOR)	10/02 - on	FR
FDB1096	NISSAN	ALMERA 180 5 DOOR HATCH	2001 - on	FR
		ALMERA 180 ELEGANCE	2001 - on	FR
		PRIMERA 200 SI (ALTERNATE)	1998 - 00	FR
		PRIMERA 200 GSI, STI	1998 - 02	FR
		PRIMERA 2.0 LUXURY & ELEGANCE	2001 - 02	FR

BUYERS GUIDE FRONT DISC PADS

PART No.	MAKE	MODEL	YEAR	FR
FDB1097	CHRYSLER	NEON 1.8 & 2.0 LE & SE	1996 - 98	FR
FDB1098	CHRYSLER	NEON 1.8 & 2.0 LE & SE (ALTERNATE)	1996 - 98	FR
		NEON ALL MODELS	2001 - on	FR
		VOYAGER & GRAND VOYAGER 2.0, 2.5 TD (ALL MODELS)	1997 - 2001	FR
		VOYAGER & GRAND VOYAGER 3.3 GRAND LE, SE	1997 - 2001	FR
		VOYAGER & GRAND VOYAGER 3.3 LX, SE	1997 - 2001	FR
FDB11	ALFA	GIULIA - GIULETTA GIULIA 1750	1969 - 73	FR
		GIULIA - GIULETTA GIULIA 2000	1972 - 77	FR
		GIULIA - GIULETTA GIULIETTA 1750 & 2000	1969 - 74	FR
		GT - GTV GTV BERLINA 1750 & 2000	1969 - 77	FR
		SPIDER	1983 - 85	FR
	CHEVROLET	2500, 3800 & 4100	1973 - 74	FR
	FERRARI	246 GT	1971 - 75	FR
		308 GT4, GTB & GTS	1973 - 81	FR
	FORD	TAUNUS ALL OTHER MODELS	1968 - 72	FR
	MERCEDES BENZ	190 SERIES	1965 - 67	FR
		ALL MODELS	1973 - 76	FR
		W114/115 SERIES 220, 220D, 230, 230/6	1968 - 1973	FR
	PORSCHE	911 SERIES 2.2	1970 - 71	FR
		911 SERIES 2.3	1972 - 73	FR
		911 SERIES 3.0 TURBO	1978 - 81	FR
	VW	KOMBI ALL MODELS	1969 - 73	FR
FDB111	LAMBORGHINI	COUNTACH	1973 - 84	FR
FDB1112	PEUGEOT	306 S16 2.0 - FROM CHASSIS NO. S 32 000 001 >	1998 - 99	FR
		306 XSI 2.0 - FROM CHASSIS NO. S 32 000 001 >	1996 - 00	FR
		306XR 1.6, 1.8 - FROM CHASSIS NO. S 32 000 001 >	1999 - 01	FR
FDB1124	RENAULT	ESPACE 2.0 RXE STD & GRAND	1997 - on	FR
FDB1125	KIA	CLARUS 2.0 2	1998 - on	FR
FDB1129	FORD	EXPLORER 4.0 XLT 4X4 (U.S. IMPORT)	1995 - 99	FR
FDB1135	PEUGEOT	206 COUPE 1.6	2001 - on	FR
		206 COUPE 2.0	2001 - on	FR
		306XR 1.6, 1.8 - FROM CHASSIS NO. S 32 000 001 >	1999 - 01	FR
	RENAULT	KANGOO 1.4 MULTIX 1.4	2007 - on	FR
		KANGOO 1.4 PANEL VAN KANGOO 1.4 PANEL VAN	2001 - on	FR
		KANGOO 1.5 DCI KANGOO 1.5 DCI	2003 - on	FR
FDB1137	ALFA	145 2.0 QUADRIFOGLIO	01/97 - 01	FR
		GT - GTV GTV 2.0 TWIN SPARK (ALTERNATE)	1996 - 99	FR
		SPIDER 2.0 TWIN SPARK (ALTERNATIVE)	1996 - on	FR
FDB1156	SSANGYONG	KORANDO ALL MODELS	1997 - 99	FR
		MUSSO ALL MODELS	1995 - 99	FR
FDB116	ALFA	GT - GTV GTV 6 2.5 & 3.0	1982 - 85	FR
	LOTUS	ESPRIT S3 & TURBO	1981 - 86	FR
FDB1160	FIAT	PUNTO 1.2 16V	07/04 - on	FR
FDB1162	SMART CAR	600	09/02 - on	FR
		700	09/02 - on	FR
		FORTWO (ALL MODELS)	2006 - on	FR
		ROADSTER ALL MODELS	12/03 - on	FR
FDB1167	AUDI	A4 (INCLUDING AVANT MODELS 1.8 (NON TURBO) - ATE CALIPER- WITHOUT WEAR SENOR	95 - 07/97	FR
		A4 (INCLUDING AVANT MODELS 1.8 (TURBO MODELS) - ATE CALIPER -WITHOUT WEAR SENSOR	07/97	FR
	AUDI	A4 (INCLUDING AVANT MODELS 1.8 (TURBO MODELS) - ATTERNATE REAR	08/97-04/99	FR
	AUDI	A4 (INCLUDING AVANT MODELS 2.4, 2.6, 2.8 (ALL MODELS) - WITH WEAR SENSOR	07/97	FR

BUYERS GUIDE FRONT DISC PADS

PART No.	MAKE	MODEL	YEAR	FR
		A4 (INCLUDING AVANT MODELS 2.4, 2.6, 2.8 (ALL MODELS) - ALTERNATE	08/97-04/99	FR
	VW	PASSAT 1.8 TURBO - ATE CALIPER - NO WEAR SENSOR	1998 - on	FR
		PASSAT 2.8 VR6, 2.8 V6 - ATE CALIPER - NO WEAR SENSOR	1998 - on	FR
FDB1168	PEUGEOT	306 1.8 CABRIOLET	04/97 - on	FR
		306XR 1.6, 1.8 (ALL MODELS)	1998 - 01	FR
FDB12	RENAULT	R8 - ALL MODELS R8 - ALL MODELS	1965 - 70	FR
	RENAULT	R10 - ALL MODELS R10 - ALL MODELS	1966 - 70	FR
FDB123	AUDI	100 100LS, GL, GL5, GLS5E	1977 - 82	FR
		200 200 GLX 5E	1978 - 82	FR
FDB1263	NISSAN	X-TRAIL ALL MODELS	2001 - on	FR
FDB1267	JEEP	CHEROKEE 2.5 TD (ALL MODELS)	1997 - 08/01	FR
		CHEROKEE 4.0 (ALL MODELS)	1997 - 02	FR
		GRAND CHEROKEE LAREDO 2.5 TD	1997 - 00	FR
		GRAND CHEROKEE LAREDO 4.0	1997 - 04/99	FR
		GRAND CHEROKEE LIMITED 4.0	1997 - 04/99	FR
		WRANGLER ALL MODELS	1997 - on	FR
	KIA	CARNIVAL ALL MODELS	06/03/1999	FR
FDB128	AUDI	80 - 90 80 SERIES	1975 - 82	FR
	CHEVROLET	KADETT - ALL MODELS	1980 - 82	FR
		KADETT- ALL MODELS EXCEPT GTE	1980 - 85	FR
	TOYOTA	COROLLA ALL MODELS - REAR WHEEL DRIVE	1980 - 84	FR
		COROLLA 1300 (REAR WHEEL DRIVE)	1980 - 1984	FR
		COROLLA 1.6 (REAR WHEEL DRIVE)	1980 - 1984	FR
		COROLLA 1600 PANEL VAN	1984 - 89	FR
	VW	GOLF 1 ALL MODELS	1978 - 82	FR
		JETTA 1 ALL MODELS	1979 - 82	FR
		PASSAT ALL MODELS - AUTOMATIC	1974 - 82	FR
FDB1284	ROLLS ROYCE	ALL MODELS	1966 - 98	FR
FDB1288	VW	POLO CLASSIC I 1.4I - WITH VENT DISC	1997 - 2002	FR
	VW	POLO PLAYA 1.4I	1998 - 2002	FR
FDB1289	AUDI	A4 (INCLUDING AVANT MODELS 1.8 (NON TURBO) - LUCAS CALIPER - WITHOUT WEAR SENSOR	08/97 - 04/99	FR
	AUDI	A4 (INCLUDING AVANT MODELS 1.8 (NON TURBO) - ALTERNATE REAR	08/97 - 04/99	FR
	VW	1.6 ALL MODELS 1.8 GTI (16V) - ALTERNATIVE	12/88 - 90	FR
FDB1291	207	3	2007 - on	FR
	GAZELLE	2.1	2005 - on	FR
	LAND ROVER	FREELANDER I 1.8, 2.0 (ALL MODELS)	1998 - 10/00	FR
	MAHINDRA	BOLERO 2.5 TD (ALL MODELS)	2004 - on	FR
	TATA	SAFARI 4X2, 4X4 SAFARI 4X2, 4X4	2004 - on	FR
		TELCOLINE 2.0 TD 4X2 TELCOLINE 2.0 TD 4X2	08/04 - on	FR
		TELCOLINE 2.0 TD 4X4 TELCOLINE 2.0 TD 4X4	08/04 - on	FR
FDB1293	OPEL	ASTRA 1.6 CD, CDE & CS	10/99 - on	FR
		ASTRA 1.6 CD, CDE & CS (WITH REAR DISCS)	2003 - on	FR
		ASTRA 1.8 CDE, CSE & CARAVAN	10/99 - 06/01	FR
		ASTRA 1.8 CDE, CSE & CARAVAN (TRW-LUCAS REAR CALIPER)	07/01 - on	FR
FDB1295	OPEL	ASTRA 2.0 CDX & CSX	10/99 - 06/01	FR
		ASTRA 2.0 CDX & CSX (TRW-LUCAS REAR CALIPER)	07/01 - on	FR
		ASTRA 2.2 EXECUTIVE	04/02 - on	FR
		ZAFIRA 1.6 ESSENTIA	2006 - on	FR
		ZAFIRA 1.8	2001 - 2004	FR
		ZAFIRA 1.8 ELEGANCE	2003 - 2005	FR
		ZAFIRA 1.8 ENJOY (ALL MODELS) - ALTERNA	2006 - on	FR
FDB1297	AUDI	A8 3.7 (WITH ATE CALIPER)	04/96 - 10/98	FR

BUYERS GUIDE FRONT DISC PADS

PART No.	MAKE	MODEL	YEAR	FR
		A8 4.2 QUATTRO (WITH ATE CALIPER)	04/96 - 10/98	FR
FDB130	PEUGEOT	304 - 305 305	1979 - 84	FR
FDB1300	BMW	3 SERIES 318i (E46) - SEDAN & TOURING	1998 - on	FR
		3 SERIES 318Ti COMPACT (E46)	2001 - on	FR
		3 SERIES 320i (E46)	1999 - on	FR
		3 SERIES 320D (E46)	2000 - on	FR
		3 SERIES 323Ci (E46)	1999 - on	FR
		3 SERIES 323i (E46)	1999 - on	FR
		3 SERIES 325i (E46) - SE	2000 - on	FR
		3 SERIES 325Ci (E46)	2001 - on	FR
		3 SERIES 325Ti COMPACT (E46)	2001 - on	FR
		3 SERIES 328i (E46)	1998 - on	FR
		Z SERIES Z3 2.8 COUPE & ROADSTER	1997 - 00	FR
		Z SERIES Z3 3.0 ROADSTER	2000 - on	FR
		Z SERIES Z4 2.0i (E85) ROADSTE	2006 - on	FR
		Z SERIES Z4 2.5i (E85) ROADSTE	2003 - on	FR
		Z SERIES Z4 2.5 Si (E85) ROADSTER	2006 - on	FR
		Z SERIES Z4 3.0i (E85) ROADSTE	2003 - on	FR
		Z SERIES Z4 3.0 Si (E85) ROADSTER	2006 - on	FR
FDB1303	MERCEDES BENZ	A-CLASS (W168 SERIES) A160 (ALL MODELS EXCLUDING A160 LONG)	2000 - on	FR
		A-CLASS (W168 SERIES) A160 LONG	2001 - on	FR
		A-CLASS (W168 SERIES) A190 (ALL MODELS)	2000 - on	FR
FDB1304	MERCEDES BENZ	VITO 112 CDI 2.2	2002 - on	FR
		VITO 110CDi2.2	1998- on	FR
		VITO 112CDu2.2	1998- on	FR
		VITO 114 2.3i	1998- on	FR
		VITO 112 CDI 2.2 (WITH BOSCH CALIPERS)	2002 - on	FR
FDB1312	VW	GOLF 3 1.8 CABRIO - FROM CHASSIS NO 1V000001	06/98 - on	FR
			1995 - 05/98	FR
		GOLF 3 2.0 CABRIO	05/96 - 05/98	FR
		GOLF 3 GS, GSX, GTS	06/98 - 01	FR
		JETTA 3 CLX, CSL, CSX	03/96 - 00	FR
		POLO CLASSIC I 1.6i	03/96 - 00	FR
		POLO CLASSIC I 1.6i LUX , 1.8i LUX	10/02/1996	FR
		POLO PLAYA 1.6i	10/02/1996	FR
		POLO PLAYA 1.8i	10/02/1999	FR
FDB1318	FORD	FOCUS 1.6 AMBIENTE	06/03 - on	FR
		FOCUS 1.8 TDCI	10/03 - on	FR
		FOCUS 2	1999 - on	FR
		FOCUS 2.0 TREND	06/02 - on	FR
FDB1323	AUDI	A4 (INCLUDING AVANT MODELS 1.8 (TURBO MODELS) - ATE CALIPER - WITHOUT WEAR SENSOR	05/99-01	FR
		A4 (INCLUDING AVANT MODELS 2.4, 2.6, 2.8 (ALL MODELS) - WITH WEAR SENSOR	05/99-01	FR
		A4 II (INCLUDING AVANT MOD 1.8T (ALL MODELS)	2001 - 2005	FR
		A4 II (INCLUDING AVANT MOD 1.9TDI	2001 - 2001	FR
		A4 II (INCLUDING AVANT MOD 2.0 (ALL MODELS)	2001 - 2005	FR
		A4 II (INCLUDING AVANT MOD 2.4 (ALL MODELS)	2001 - 2005	FR
		A4 II (INCLUDING AVANT MOD 2.5TDI	2001 - 2005	FR
		A4 II (INCLUDING AVANT MOD 3.0 (ALL MODELS)	2001 - 2005	FR
		A6 II 2.4	1997 - 2003	FR
		A6 II 2.4 AVANT	2001 - 2004	FR
		A6 II 2.8 QUATTRO	1997 - 02	FR
	VW	PASSAT 1.8 TURBO - ATE CALIPER - WITH WEAR SENSOR	1998 - on	FR

BUYERS GUIDE FRONT DISC PADS

PART No.	MAKE	MODEL	YEAR	FR
		PASSAT 1.9 TDI	2003 - 2005	FR
		PASSAT 2.3 V5	04/02 - on	FR
		PASSAT 2.8 VR6, 2.8 V6 - ATE CALIPER - WITH WEAR SENSOR	1998 - on	FR
FDB1326	HYUNDAI	ATOZ 1	1999 - 2001	FR
FDB1334	ALFA	166 3.0 V6	1999 - on	FR
	SUBARU	IMPREZA 2.0 WRX STI	2002 - on	FR
		IMPREZA 2.5 WRX STI	2005 - on	FR
FDB1337	CHERY	QQ 0.8 ALL MODELS	2008 - on	FR
		QQ 1.1 ALL MODELS	2009 - on	FR
	CHEVROLET	SPARK 0.8, 1.0	2003 - on	FR
	DAEWOO	LANOS 1.35IS	1998 - 00	FR
		LANOS II 1.4 (ALL MODELS)	2000 - on	FR
		MATIZ ALL MODELS	1998 - on	FR
		MATIZ II ALL MODELS	09/02 - on	FR
FDB1355	MG	ZT 160 MG ZT 160	03/04 - on	FR
		ZT 190 MG ZT 190	2003 - on	FR
	ROVER	R75 1.8T R75 1.8T	2003 - on	FR
		R75 2.5 V6 (ALL MODELS) R75 2.5 V6 (ALL MODELS)	2001 - on	FR
FDB1369	AVEO	LS & LT AVEO LS & LT	10/03 - on	FR
	TACUMA	1.6 SX	2001 - on	FR
		2.0 (ALL MODELS)	2001 - on	FR
	CHEVROLET	OPTRA 1.6, 1.6 LS OPTRA 1.6, 1.6 LS	03/04 - on	FR
		OPTRA 1.8 LT OPTRA 1.8 LT	03/04 - on	FR
		VIVANT 1.6 & 2.0 VIVANT 1.6 & 2.0	10/03 - on	FR
	DAEWOO	CIELO 1.5 GLX, GTX	1996 - 98	FR
		ESPERO 1.8 CD, 2.0 CD	1996 - 98	FR
		LANOS 1.6 GTR	1998 - 99	FR
		LANOS 1.6 SX	1997 - 00	FR
		LANOS II 1.6 (ALL MODELS)	2000 - on	FR
		NUBIRA 1.6 SX	1997 - 00	FR
		NUBIRA 2.0 CDX (ALL MODELS)	1997 - 00	FR
		NUBIRA II 1.6 SX	2000 - on	FR
		NUBIRA II 2.0 (ALL MODELS)	2000 - on	FR
FDB1370	PEUGEOT	206 1.6 CC TO CH. NO. 08777	2001 - on	FR
		206 XT 1.6 TO CH. NO. 08777	2001 - on	FR
		206 2.0 CC TO CH. NO. 08777	2001 - on	FR
		206 COUPE 2.0 (ALTERNATE)	2001 - on	FR
		206 GTI 2.0 TO CH. NO. 08777	2000 - on	FR
FDB1376	FIAT	PALIO & SIENA RANGE PALIO 1.6 WEEKEND	1999 - 2003	FR
		DOBLO 1.9 P/VAN DOBLO 1.9 P/VAN	2003 - 2005	FR
		STRADA PICK UP 1.6 EL, ELX	2004 - on	FR
		STRADA PICK UP 1.7 TD (ALL MODELS)	2004 - on	FR
		STRADA PICK UP 1.4 X-SPACE (ALL MODELS)	2006 - on	FR
	NISSAN	1/2TONNER NP200 ALL MODELS	2008 - on	FR
FDB1378	PEUGEOT	206 XR 1.4	2001 - on	FR
		206 1.4 POP-ART	2004 - on	FR
		206 1.4 HDI X-LINE	2005 - on	FR
		206 1.4 HDI XS LINE	2006 - on	FR
		206 1.4 XS LINE	2006 - on	FR
FDB1379	PEUGEOT	406 3.0 V6 COUPE	1998 - on	FR
FDB1382	VOLVO	C70/S70/V70 S70 SEDAN, V70 ESTATE (ALL MODELS)	2000 - on	FR
		C70/S70/V70 V70 XC 2.4T	00 - 04	FR
		C70/S70/V70 V70 XC 2.5T	2003 - on	FR
		S60 ALL MODELS	2000 - on	FR
		S60 S60 2.0T	02/04 - on	FR

BUYERS GUIDE FRONT DISC PADS

PART No.	MAKE	MODEL	YEAR	FR
		S80 S80 (ALL MODELS)	1999 - on	FR
		S80 S80 (ALL MODELS) - FACE LIFT	02/04 - on	FR
		S90/V90/XC90 XC90 2.5T	2004 - on	FR
		S90/V90/XC90 XC90 2.9 T6	2003 - on	FR
		90/V90/XC90 XC90 D5 2.4 (ALL MODELS)	2004 - on	FR
FDB1384	VOLVO	S40/V40 S40 SEDAN, V40 ESTATE (ALL MODELS)	07/97 - on	FR
FDB1392	TOYOTA	MR2 1.8	2001 - on	FR
		PRIUS 1.5 HYBRID	2006 - on	FR
FDB1393	FORD	KA 1.3 (ALL MODELS)	2005 - on	FR
FDB1394	FORD	FIESTA 1.4i (ALL MODELS)	12/03 - on	FR
		FIESTA 1.6i (ALL MODELS)	12/03 - on	FR
		KA 1.4 (ALL MODELS)	2005- on	FR
FDB1398	AUDI	A3 1.8 (NON TURBO) - WITH WEAR SENSOR	1999-04	FR
		1.9 TDI 1.9 TDI		FR
	VW	BEETLE 2.0 (ALL MODELS)	2000 - on	FR
		GOLF 4 1.6i (ALL MODELS) - WITH WEAR SENSOR	2000 - 2004	FR
		GOLF 4 1.6i ESTATE - WITH WEAR SENSOR	1999 - 2004	FR
		GOLF 4 1.9 TDI - WITH WEAR SENSOR	2000 - 2004	FR
		GOLF 4 1.9 TDI ESTATE - WITH WEAR SENSOR	1999 - 2004	FR
		GOLF 4 2.0i (ALL MODELS) - WITH WEAR SENSOR	2000 - 2004	FR
		JETTA 4 1.6i (ALL MODELS) - WITH WEAR SENSOR	2000 - 2005	FR
		JETTA 4 1.9 TDI - WITH WEAR SENSOR	2000 - 2005	FR
		JETTA 4 2.0i (ALL MODELS) - WITH WEAR SENSOR	2000 - 2005	FR
		POLO CLASSIC II 1.4, 1.4 TDI, 1.6 (MODELS WITH WEAR SENSOR)	10/02 - on	FR
		POLO CLASSIC II 1.9 TDI (77KW)	11/04 - on	FR
		POLO HATCH 1.4, 1.4 TDI, 1.6 (MODELS WITH WEAR SENSOR)	10/02 - on	FR
		POLO HATCH 1.9 TDI (77KW)	10/02 - on	FR
FDB1399	CITROEN	BERLINGO 1.4 MULTISPACE MPV	09/03 - on	FR
		C4 1.6 16V	2005 - on	FR
		C4 1.6 HDI	2005 - on	FR
		C4 1.6 VTR COUPE	2005 - on	FR
		XSARA 1.6	2001 - on	FR
		XSARA PICASSO 1.6, 1.8 - ALTERNATE 1	09/01	FR
		XSARA PICASSO 2.0, 2.0 HDI - ALTERNATE 1	09/01	FR
		BERLINGO 1.4, 1.9D PANEL VAN	2002 - on	FR
		1007 1.6	2005 - on	FR
		206 1.6 CC FROM CH. NO. 09079	2001 - on	FR
		206 XT 1.6 FROM CH. NO. 09079	2001 - on	FR
		206 XS 1.6 S/W	2003 - on	FR
		206 1.6 XS LINE	2006 - on	FR
		206 2.0 CC FROM CH. NO. 09079	2001 - on	FR
		206 2.0 HDI	2004 - on	FR
		206 XT 2.0 HDI	2004 - on	FR
		206 GTI 2.0 FROM CH. NO. 09079	2000 - on	FR
		207 1.4 X-LINE	2006 - on	FR
		207 XR 1.4 HDI	2006 - on	FR
		307 X-LINE 1.6	2005 - on	FR
		307 X-LINE 1.6 - ALTERNATE	2007 - on	FR
		307 2.0 XS (ALL MODELS) - ALTERNATE	2005 - on	FR
		PARTNER 1.9D PARTNER 1.9D	07/03 - on	FR
		PARTNER 1.9D PARTNER GRAND RAID 2.0 HDI	2006 - on	FR
FDB1400	MERCEDES BENZ	M-CLASS (W163 SERIES) ML270 CDI	2000 - on	FR
		M-CLASS (W163 SERIES) ML320	1998 - on	FR
		M-CLASS (W163 SERIES) ML320 (ALTERNATE 1)	1998 - on	FR
FDB1407	AUDI	S4 4.2 V8	10/03 - on	FR

BUYERS GUIDE FRONT DISC PADS

PART No.	MAKE	MODEL	YEAR	FR
		A6 II 2.7T QUATTRO - WITH ATE FRONT CALIPER	2002 - 2004	FR
		A6 II 3.0 & 3.0 QUATTRO (ALL MODELS)	2001 - 2004	FR
		A6 II 3.0 & 3.0 QUATTRO (ALL MODELS) - WITH LUCAS CALIPER	2001 - 2004	FR
		RS4 4.2 AVANT QUATTRO	2007 - on	FR
		RS4 4.2 FSI QUATTRO	2006 - on	FR
		RS4 4.2 V8 QUATTRO	2007 - on	FR
		RS4 4.2 AVANT QUATTRO	2007 - on	FR
		RS4 4.2 FSI QUATTRO	2006 - on	FR
		RS4 4.2 V8 QUATTRO	2007 - on	FR
FDB1411	CITROEN	C5 2	2001 - on	FR
FDB1412	CITROEN	C5 3.0 V6	2001 - on	FR
FDB1414	MERCEDES BENZ	E-CLASS (W211 SERIES) E200 KOMPRESSOR	02/04 - on	FR
		E-CLASS (W211 SERIES) E220 CDI	08/02 - on	FR
		E-CLASS (W211 SERIES) E240	08/02 - on	FR
		E-CLASS (W211 SERIES) E270 CDI	08/02 - on	FR
		E-CLASS (W211 SERIES) E280	2005 - on	FR
FDB142	PEUGEOT	504-505 504	1978 - 82	FR
		504-505 504 ALTERNATE	1978 - 82	FR
		504-505 505 - ALL MODELS	1980 - 85	FR
FDB1420	RENAULT	CLIO 2.0 16V	1999 - on	FR
		LAGUNA ALL MODELS	04/99 - on	FR
		MEGANE 1.4 RTE HATCHBACK	08/99 - 03	FR
		MEGANE 1.6 RXE, RXT 16V (ALL MODELS)	08/99 - 03	FR
		MEGANE 2.0 16V CABRIOLET	04/99 - 01	FR
		MEGANE 2.0 16V COUPE	04/99 - 01	FR
		MEGANE 2.0 16V SPORT COUPE & CABRIOLET	08/99 - 03	FR
		MEGANE SCENIC ALL MODELS (INCL. RX4 2.0)	08/99 - on	FR
		MEGANE SCENIC 1.9 DCI	02/03 - on	FR
		SAFRANE 2.5 AUTO	04/99 - on	FR
FDB1421	CHANA	STAR/MAXI STAR 1	2007 - on	FR
		STAR/MAXI STAR 1.3	2007 - on	FR
		RAINBOW 1.0	2007 - on	FR
		RAINBOW 1.3	2007 - on	FR
FDB1422	MITSUBISHI	SPACEGEAR 2.4 GLX MPV	1996 - 99	FR
FDB1424	OPEL	CORSA II 1.4 CLASSIC & HATCH (ALL MODELS)	10/02 - on	FR
		CORSA II 1.6 CLASSIC & HATCH (ALL MODELS)	10/02 - on	FR
		CORSA II 1.7DTI CLASSIC (ALL MODELS)	2002 - 2005	FR
		CORSA II 1.8 CLASSIC EXECUTIVE	10/02 - on	FR
		CORSA II 1.8 GSI HATCH	10/02 - on	FR
		TIGRA 1.4 ENJOY	2005 - on	FR
		TIGRA 1.8 SPORT	2005 - on	FR
		COMBO 1.4 PANEL VAN	2004 - on	FR
		CORSA CORSA UTILITY 1.4i , 1.4iS	08/04 - on	FR
		CORSA CORSA UTILITY 1.6i	2004 - on	FR
		CORSA CORSA UTILITY 1.7DTI , DTIS	08/04 - on	FR
		CORSA CORSA UTILITY 1.7 CDTI	2006 - on	FR
		CORSA CORSA UTILITY 1.8 (ALL MODELS)	2005 - on	FR
FDB1425	FORD	MONDEO 2.0 GHIA & TREND	2001 - 2004	FR
			2004 - on	FR
		MONDEO ST220	2003 - 2004	FR
			2004 - on	FR
	JAGUAR	X - TYPE ALL	05/02 - on	FR
		X - TYPE ALL - ALTERNATE	2004 - on	FR
FDB1426	MERCEDES BENZ	CL SERIES CL500	2000 - on	FR
		CL SERIES CL600	2000 - on	FR

BUYERS GUIDE FRONT DISC PADS

PART No.	MAKE	MODEL	YEAR	FR
		M-CLASS (W163 SERIES) ML270 CDI (ALTERNATE)	2000 - on	FR
		M-CLASS (W163 SERIES) ML320 (ALTERNATE 2)	1998 - on	FR
		M-CLASS (W163 SERIES) ML350	2003 - on	FR
		M-CLASS (W163 SERIES) ML430	1999 - 02	FR
		M-CLASS (W163 SERIES) ML500	2001 - on	FR
		M-CLASS (W163 SERIES) ML55 AMG	2001 - on	FR
		S-CLASS (W220 SERIES) S320	10/98 - on	FR
		S-CLASS (W220 SERIES) S430	10/98 - 09/02	FR
		S-CLASS (W220 SERIES) S500	10/98 - 09/02	FR
		S-CLASS (W220 SERIES) S55 AMG	2001 - on	FR
		S-CLASS (W220 SERIES) S600	10/98 - 09/02	FR
FDB1428	MERCEDES BENZ	C-CLASS (W203 SERIES) C180 & C180K (ALL MODELS)	2000 - on	FR
		C-CLASS (W203 SERIES) C200K (ALL MODELS)	2000 - on	FR
		C-CLASS (W203 SERIES) C220 CDI	10/02 - on	FR
FDB1429	MERCEDES BENZ	SLK SERIES (R171 SERIES) SLK200 KOMPRESSOR	2004 - on	FR
		C-CLASS (W203 SERIES) C230K (ALL MODELS)	2000 - on	FR
		C-CLASS (W203 SERIES) C230K SPORT COUPE	2001 - on	FR
		C-CLASS (W203 SERIES) C230 SPORT COUPE	2005 - on	FR
		C-CLASS (W203 SERIES) C230 CLASSIC	2006 - on	FR
		C-CLASS (W203 SERIES) C240	2000 - on	FR
		C-CLASS (W203 SERIES) C240T	2001 - on	FR
		C-CLASS (W203 SERIES) C270 CDI	2000 - on	FR
		C-CLASS (W203 SERIES) C280 V6	2005 - on	FR
		C-CLASS (W203 SERIES) C320	2000 - on	FR
		C-CLASS (W203 SERIES) C320 CDI	2005 - on	FR
		C-CLASS (W203 SERIES) C320K	2004 - on	FR
		C-CLASS (W203 SERIES) C350	2005 - on	FR
FDB143	MERCEDES BENZ	CLK SERIES (A209 SERIES) CLK320	2003 - on	FR
		ALL MODELS ALL MODELS	1977 - 80	FR
		W114/115 SERIES 230, 230/6	1973 - 1977	FR
		W114/115 SERIES 280S, 280SE	1968 - 1973	FR
		W116 SERIES 280S, 280SE, 350SE	1973 - 1979	FR
		W123 SERIES 230, 250, 280E, 300D	1977 - 1979	FR
FDB1433	NISSAN	200 - 370 SERIES 200 SX	1995 - 98	FR
FDB1437	TOYOTA	CAMRY 2.2I (IMPORTED MODELS ONLY)	10/96 - 00	FR
		CAMRY 3.0 (IMPORTED MODELS ONLY)	10/96 - 00	FR
FDB1439	MG	ZR 160 MG ZR 160	10/03 - on	FR
FDB144	CHEVEROLET	CAMARO	1969 - 73	FR
		C10	1974 - 80	FR
		C20	1974 - 80	FR
		C30	1973 - 75	FR
		CE 10	1969 - 73	FR
		CS10 & CS20	1969 - 73	FR
FDB1441	RENAULT	LAGUNA II 1.8 (ALL MODELS)	2001 - on	FR
		LAGUNA II 1.9 DCI	02/03 - on	FR
		LAGUNA II 2.0 16V	07/02 - on	FR
FDB1444	HONDA	S2000 2.0 ROADSTER	03/04 - on	FR
			2000 - 01	FR
FDB1451	AUDI	A4 (INCLUDING AVANT MODELS 1.8 (NON TURBO) - LUCAS CALIPER - WITHOUT WEAR SENSOR	05/99 - 05/01	FR
	VW	PASSAT 1.8 TURBO - LUCAS CALIPER - WITH WEAR SENSOR	1998 - on	FR
FDB1455	MAZDA	ETUDE 160I (ALL MODELS)	02/00 - on	FR
FDB1456	TOYOTA	LANDCRUISER PICK UP 4.2 D	2000 - on	FR
FDB1463	AUDI	A3 1.8 TURBO (ALL MODELS) - WITHOUT WEAR SENSOR	1999-04	FR
		S3 1.8T QUATTRO	2001 - on	FR

BUYERS GUIDE FRONT DISC PADS

PART No.	MAKE	MODEL	YEAR	FR
		TT SERIES 1.8T (ALL MODELS)	2000 - on	FR
		BEETLE 1.8T	03/03 - on	FR
		GOLF 4 1.8 GTI - WITH WEAR SENSOR	2000 - 2004	FR
		GOLF 4 1.8 GTI R TURBO (132 KW)	03/03 - on	FR
		JETTA 4 1.8 TURBO R (132 KW)	05/03 - on	FR
		JETTA 4 2.3 V5 - WITH WEAR SENSOR	2000 - 2005	FR
FDB1464	TOYOTA	CONDOR ALL MODELS	2000 - on	FR
FDB1465	NISSAN	ALMERA 160 (ALL MODELS)	2001 - on	FR
		ALMERA 160 COMFORT (FACE LIFT)	06/03 - on	FR
		ALMERA 180 LUX	2001 - on	FR
FDB1466	FIAT	GRANDE PUNTO 1.2 ACTIVE	2006 - on	FR
		GRANDE PUNTO 1.3 (ALL MODELS)	2006 - on	FR
		GRANDE PUNTO 1.4 (ALL MODELS)	2006 - on	FR
		STILO 1.6	11/03 - on	FR
FDB1467	FIAT	GRANDE PUNTO 1.9 DIESEL	2006 - on	FR
		STILO 1.9JTD	11/03 - on	FR
		DOBLO 1.3 JTD PANEL VAN 1.3 JTD	2006 - on	FR
		DOBLO 1.4 PANEL VAN DOBLO 1.4 PANEL VAN	2006 - on	FR
		DOBLO 1.9D PANEL VAN DOBLO 1.9D PANEL VAN	2006 - on	FR
FDB1468	ALFA FIAT	BRAVE		FR
		BRAVO 1.4 T-JET DYNAMIC & SPORT	2007 - on	FR
		BRAVO 1.9 MULTIJET DYNAMIC	2007 - on	FR
		STILO 2.4 20V ABARTH	09/04 - on	FR
FDB1473	LAND ROVER	FREELANDER I 1.8	2000 - on	FR
		FREELANDER I 2.0 TD4	2000 - on	FR
		FREELANDER I 2.5 V6	2000 - on	FR
FDB1474	CHRYSLER	VOYAGER & GRAND VOYAGER 2.4, 2.5 CRD, 3.3 (ALL MODELS) - 16" WHEELS	05/01 - on	FR
		VOYAGER & GRAND VOYAGER 2.8 CRD (FACE LIFT)	06/04 - on	FR
FDB1476	CITROEN	C2 1.6 VTS	2004 - on	FR
		XSARA 2	2001 - on	FR
		XSARA 2.0 HDI	2002 - on	FR
	PEUGEOT	207 XS 1.6	2006 - on	FR
		207 XS 1.6 HDI	2006 - on	FR
		307 1.6 XR & XT	2001 - on	FR
		307 1.6 HDI	10/04 - on	FR
		307 X-LINE 1.6 HDI	2005 - on	FR
		307 2.0 HDI	2001 - on	FR
		307 2.0 XS (ALL MODELS)	2001 - on	FR
		307 2.0 SW	2002 - on	FR
		206 GTI 180 2.0 16V	10/03 - on	FR
FDB1477	CITROEN	XSARA PICASSO 1.6, 1.8	2001 - on	FR
		XSARA PICASSO 2.0, 2.0 HDI	2001 - on	FR
FDB1485	JAGUAR	S - TYPE 3.0 & 3.0 V6	1999 - on	FR
		S - TYPE 4.0 V8	1999 - on	FR
FDB1493	MERCEDES BENZ	VITO 115 CDI 2.2	2004 - on	FR
		VITO 115 CDI 2.2 115 CDI 2.2	02/04 - on	FR
FDB1496	VW	SHARAN 1.8 TURBO - ALTERNATE	05/00 - on	FR
		SHARAN 1.8 TURBO	98 - 04/00	FR
FDB1497	VW	SHARAN 2.8 VR6	05/03 - on	FR
FDB1499	MINI	COOPER (NEW) ALL MODELS	03/03 - on	FR
			06/01 - 03/03	FR
FDB1501	DAIHATSU	CUORE	1999 - 00	FR
		SIRION (ALL MODELS)	1998 - 2005	FR
		YRV (ALL MODELS)	2001 - on	FR

BUYERS GUIDE FRONT DISC PADS

PART No.	MAKE	MODEL	YEAR	FR
FDB1505	HONDA	CR-V, CRX, HR-V HR-V 1.6 4X4	2002 - on	FR
FDB1508	ALFA	156 3.2 V6 GTA	03/03 - on	FR
		GT - GTV GTV 3.2 V6	03/04 - on	FR
		GT - GTV GTV 3.0 V6 24V COUPE	1999 - 2004	FR
		SPIDER 3.0 V6 24V	10/02 - 02/04	FR
		SPIDER 3.2 V6	03/04 - on	FR
FDB1509	AUDI	A6 II 4.2 V8 AVANT	2001 - 2004	FR
		A8 4.2 QUATTRO (WITH LUCAS CALIPER)	11/98 - 02	FR
		S6 4.2 V8 AVANT	2001 - on	FR
		S8 4.2 QUATTRO	2001 - on	FR
FDB1514	TOYOTA	RAV 4 ALL MODELS	10/00 - on	FR
			10/03 - on	FR
FDB1515	RENAULT	ESPACE 3.0 RXT V6 GRAND	1999 - on	FR
FDB1520	FIAT	CROMA 2.2 (ALL MODELS)	2005 - on	FR
	OPEL	ASTRA III GTC 1.8 (ALL MODELS)	2006 - on	FR
		ASTRA III GTC 1.9 CDTI (ALL MODELS)	2006 - on	FR
		ASTRA III GTC 2.0 TURBO (ALL MODELS)	2006 - on	FR
	SAAB	40246 ALL MODELS	2002 - on	FR
FDB1527	FORD	RANGER BAKKIE 2500D & 2500TD - ZIMBABWE MODELS	06/99 - on	FR
		RANGER BAKKIE BT-50	2008-	FR
	MAZDA	B SERIES B2200 - ZIMBABWE MODELS	06/99 - on	FR
		B SERIES B2500 D, TD - ZIMBABWE MODELS	06/99 - on	FR
FDB1528	TOYOTA	RUN-X 180 RSI	02/03 - on	FR
FDB153	MAZDA	323 SERIES 1.3, 1.4, 1.6 RWD	1977 - 80	FR
FDB1532	DAIHATSU	COPEN 1.3	2005 - 2007	FR
	DAIHATSU	SIRION (ALL MODELS) SIRION 1.3 (ALL MODELS)	2005 - on	FR
FDB1535	OPEL	ASTRA 2.0 OPC	02/04 - on	FR
		ASTRA 2.0 TURBO COUPE	2001 - on	FR
	SAAB	40246 ALL MODELS	1998 - 2002	FR
		40307 ALL MODELS	1998 - on	FR
			1999 - on	FR
		900 ALL MODELS	08/96 - 99	FR
FDB154	LAMBORGHINI	COUNTACH 4.6 V12	1985 - on	FR
FDB1541	RENAULT	ESPACE IV 2.0T	2005 - on	FR
		ESPACE IV 2.2 DCI	2005 - on	FR
		ESPACE IV 3.5 V6	2005 - on	FR
		LAGUNA II 3.0 V6	2001 - on	FR
		VEL SATIS 3.5 V6	04/03 - on	FR
FDB1542	CITROEN	C2 1.4 HDI	2004 - on	FR
		C2 1.4i VTR	2004 - on	FR
		C3 1.4	2003 - on	FR
		C3 1.4 HDI	2003 - on	FR
FDB1543	CITROEN	C3 1.4 PLURIEL CABRIO	2003 - on	FR
		C3 1.6	2003 - on	FR
		C3 1.6 PLURIEL CABRIO	2003 - on	FR
FDB1544	RENAULT	MEGANE II 1.5 DCI HATCH	2003 - 2005	FR
		MEGANE II 1.6 HATCH (ALL MODELS)	2003 - 2005	FR
		MEGANE II 1.6 SEDAN (ALL MODELS)	2003 - 2005	FR
		MEGANE II 1.6 C.C.	2005 - 2005	FR
		MEGANE II 1.9 DCI HATCH	2003 - 2005	FR
		MEGANE II 1.9 DCI SEDAN	2003 - 2005	FR
		MEGANE II 1.9 DCI C.C.	2005 - 2005	FR
		MEGANE II 2.0 HATCH	04/03 - on	FR
		MEGANE II 2.0 SEDAN	2003 - 2005	FR
		MEGANE II 2.0 C.C.	2004 - 2005	FR

BUYERS GUIDE FRONT DISC PADS

PART No.	MAKE	MODEL	YEAR	FR
		MEGANE SCENIC II ALL MODELS	2004 - 2005	FR
FDB1545	PEUGEOT	607 3.0 V6	2001 - on	FR
FDB1554	TOYOTA	LEXUS LS 400	95 - 00	FR
FDB1556	FIAT	ULYSSE 2.2 JTD	2003 - on	FR
	PEUGEOT	807 2.2 ST &SV	11/03 - on	FR
FDB1558	TOYOTA	LEXUS LS 400	93 - 94	FR
FDB1559	NISSAN	MAXIMA 2.0 QX	2000 - on	FR
		MAXIMA 3.0 QX	2000 - on	FR
FDB1561	NISSAN	200 - 370 SERIES 350Z	01/04 - on	FR
FDB1564	TOYOTA	LEXUS GS 300	1998 - on	FR
		LEXUS IS 200	1999 - on	FR
		LEXUS IS 300	2004 - on	FR
FDB1565	SUZUKI	VITARA 1.6 (ALTERNATE 2)	1997 - 98	FR
		VITARA 2.0 V6 (ALTERNATE 2)	1997 - 99	FR
		VITARA GRAND 1.6 , 2.0	03/99 - 10/05	FR
		VITARA GRAND 2.5 V6	03/99 - on	FR
		VITARA GRAND 2.7 V6	2001 - on	FR
FDB1572	CITROEN	XSARA PICASSO 1.6, 1.8 - ALTERNATE 2	10/01 -	FR
		XSARA PICASSO 2.0, 2.0 HDI - ALTERNATE 2	10/01 -	FR
FDB1573	TOYOTA	COROLLA 140I GLE, GLS	09/02 - on	FR
		COROLLA 160I GLE, GLS, GSX	09/02 - on	FR
		COROLLA 180I GLE, GLS, GSX	09/02 - on	FR
		COROLLA SPRINTER 140I, 160I, 180I	2006 - on	FR
		RUN-X 140 (ALL MODELS)	2003 - on	FR
		RUN-X 160 (ALL MODELS)	2003 - on	FR
		RUN-X 180 RX	2004 - on	FR
FDB1577	NISSAN	PATROL 3.0 DI (ALL MODELS)	2000 - on	FR
		PATROL 4.2 D GL	1998 - on	FR
		PATROL 4.5 E GL, GRX 4X4 S/WAGON	1998 - 00	FR
		PATROL 4.5 GL, GRX (ALL MODELS)	2000 - 02	FR
FDB159	DAIHATSU	CHARADE - IMPORTED CHARADE - IMPORTED	1979 - 85	FR
FDB1594	FORD	FOCUS II 1.6, 2.0 (ALL MODELS)	2005 - on	FR
		FOCUS II 2.0 TDCI (ALL MODELS)	2005 - on	FR
	MAZDA 3	1.6, 2.0 (ALL MODELS)	07/04 - on	FR
	MAZDA 5	2.0I (ALL MODELS)	2007 - on	FR
	VOLVO	C30 2	2007 - on	FR
		S40/V40 S40 1.8	2005 - on	FR
		S40/V40 S40 2.0	2006 - on	FR
		S40/V40 S40 2.0D	2005 - on	FR
		S40/V40 S40 2.4I	05/04 - on	FR
		V50 1.8	2005 - on	FR
		V50 2.0, 2.0D (ALL MODELS)	2005 - on	FR
		V50 2.4I (ALL MODELS)	2004 - on	FR
FDB1595	HYUNDAI	H100	2004 - on	FR
	KIA	CARNIVAL ALL MODELS - FACE-LIFT	2000 - on	FR
		SEDONA SEDONA 2.5	08/04 - on	FR
		SEDONA SEDONA 2.9 CRDI	08/04 - on	FR
FDB1596	MITSUBISHI	PAJERO 1.6 IO	1999 - on	FR
		PAJERO 1.8 IO	1999 - on	FR
		PAJERO 2.0 IO	03/02 - on	FR
FDB1597	RANGE ROVER III	3.0 TD6, 4.4 V8	03/02 - on	FR
FDB1599	PEUGEOT	206 1.6 CC CH. NO. 08778-09078	2001 - on	FR
		206 XT 1.6 CH. NO. 08778-09078	2001 - on	FR
		206 2.0 CC CH. NO. 08778-09078	2001 - on	FR
		206 GTI 2.0 CH. NO. 08778-09078	2000 - on	FR

BUYERS GUIDE FRONT DISC PADS

PART No.	MAKE	MODEL	YEAR	FR
FDB1600	MAZDA	MX SERIES MX-5 1.8	2001 - on	FR
FDB1602	KIA	CARENS 1.8 LS	2002 - 2003	FR
		RIO 1.3, 1.5	08/02 - on	FR
		SHUMA II 1.6, 1.8 - WITH REAR DISCS	02/02 - on	FR
		SHUMA II 1.6, 1.8 - WITH REAR DRUMS	02/02 - on	FR
		SPECTRA LS (ALL MODELS)	2001 - on	FR
FDB1605	HYUNDAI	AZERA 3.3	2006 - on	FR
		SANTE FE ALL MODELS	2001 - 2006	FR
		TRAJET 2.0 CRDI	2005 - on	FR
		TRAJET 2.7 V6 GLS	2005 - on	FR
	SSANGYONG	ACTYON A200 (ALL MODELS)	2006 - on	FR
		KYRON 2.0XDI (ALL MODELS)	2005 - on	FR
		REXTON 270 XDI	2006 - on	FR
FDB1607	KIA	CARENS 1.8 LS	2000 - 01	FR
		SEPHIA 1.5I RS & LS SEPHIA 1.5I RS & LS	1998 - 00	FR
		SHUMA I SHUMA 1.5	01/02/2000	FR
		SHUMA I SHUMA 1.8I	1999 - on	FR
		SHUMA 1.8I (REAR DISC OPTION)	1999 - on	FR
FDB161	ALFA 6	2.5 V6	1981 - 85	FR
FDB1612	SUBARU	IMPENZA 2.0 GL SEDAN (WITH 14" WHEELS)	98 - 99	FR
		IMPENZA 2.0 RX SEDAN (WITH 14" WHEELS)	1997 - 00	FR
		LEGACY 2.0 GL T/WAGON	1998 - 01	FR
		LEGACY 2.2 GX SEDAN	1997 - 98	FR
		LEGACY 2.2 GX T/WAGON	1997 - 00	FR
FDB1615	RANGE ROVER III	4.2 V8 SPORT	2005 - on	FR
		4.4 V8 SPORT	2007 - on	FR
	LAND ROVER	DISCOVERY III 2.7 TD V6, 4.0 V6, 4.4 V8	2005 - on	FR
		DISCOVERY III 4.2 V8	2005 - on	FR
FDB1617	NISSAN	MICRA 1.4I	07/04 - on	FR
		MICRA 1.5 DCI	2005 - on	FR
	RENAULT	CLIO III 1.4 (ALL MODELS)	2006 - on	FR
		CLIO III 1.5 DCI	2006 - on	FR
		CLIO III 1.6 (ALL MODELS)	2006 - on	FR
		MODUS 1.2, 1.4 (ALL MODELS)	2005 - on	FR
FDB1618	BMW	X-5 SERIES 4.6IS	02/02 - on	FR
		X-5 SERIES 4.8IS V8	02/04 - on	FR
FDB1619	MAZDA 6	2.0 ELEGANT	02/03 - on	FR
		2.3 SPORTY	02/03 - on	FR
FDB1620	TOYOTA	CAMRY 2.4 XLI, GLI	03/03 - on	FR
		CAMRY 3.0 V6	03/03 - on	FR
FDB1625	PORSCHE	CAYENNE SERIES CAYENNE 3.2 V6	2005 - on	FR
		CAYENNE SERIES CAYENNE 4.5 V8	05/03 - on	FR
	VW	TOUAREG 2.5 R5 TDI (17" WHEEL)	03/04 - on	FR
FDB1626	AUDI	Q7 3.0 TDI QUATTRO	2006 - on	FR
		Q7 3.6 FSI QUATTRO	2007 - on	FR
		Q7 4.2 FSI QUATTRO	2007 - on	FR
	PORSCHE	CAYENNE SERIES CAYENNE 4.5 V8 TURBO	05/03 - on	FR
	VW	TOUAREG 4.2 V8	03/04 - on	FR
		TOUAREG 5.0 V10 TDI (18" WHEEL)	03/04 - on	FR
FDB1628	BMW	5 SERIES 520D (60)	2005- on	FR
		5 SERIES 520D (61)	2005-on	FR
		5 SERIES 525I (E60)	12/03 - on	FR
		5 SERIES 525XI(E61)	2005-on	FR
		5 SERIES 525I (E61)	2005- on	FR
		5 SERIES 525D (E61)	2005-on	FR

BUYERS GUIDE FRONT DISC PADS

PART No.	MAKE	MODEL	YEAR	FR
		5 SERIES 530XI	2005- on	FR
		5 SERIES 530D & 530I (E60)	12/03 - on	FR
		5 SERIES 530D(E61)	2005 - on	FR
		5 SERIES 530XD	2005-on	FR
		5 SERIES 545I (E60)	12/03 - on	FR
		5 SERIES 550I (E60)	2005 - on	FR
		6 SERIES 645 CI	04/04 - on	FR
		6 SERIES 650 CI (ALL MODELS)	2005 - on	FR
		7 SERIES 730 D	05/03 - on	FR
		7 SERIES 735I (E65)	2002 - on	FR
		7 SERIES 740I (E65)	2005 - on	FR
		7 SERIES 750LI (E65)	2005 - on	FR
FDB1629	AUDI	A4 III (INCLUDING AVANT MO 2.0 TDI (125KW)	2006 - on	FR
		A4 III (INCLUDING AVANT MO 2.0T FSI	2005 - on	FR
		A4 III (INCLUDING AVANT MO 3.0 TDI QUATTRO (ALL MODELS)	2005 - on	FR
		A4 III (INCLUDING AVANT MO 3.2 FSI (ALL MODELS)	2005 - on	FR
		A6 III 4.2 V8	10/04 - on	FR
FDB163	BMW	5 SERIES 518 2.0L (E12)	1979 - 1981	FR
		5 SERIES 518I (E28)	1982 - 1985	FR
		5 SERIES 520 (E12)	1974 - 1979	FR
		5 SERIES 520 (6 CYL)	1979 - 1981	FR
		5 SERIES 520I (E28)	1982 - 1985	FR
		5 SERIES 525 (E12)	1979 - 1984	FR
		5 SERIES 528 (E12)	1975 - 1978	FR
			1979 - 1979	FR
		5 SERIES 528I (E12)	1979 - 1981	FR
		5 SERIES 530 (E12)	1979 - 1980	FR
		6 SERIES 633 & 635CSI	1978 - 82	FR
		7 SERIES 728 (E23)	1978 - 1980	FR
		7 SERIES 728I (E23)	1980 - 1987	FR
		7 SERIES 730 (E23)	1978 - 1980	FR
		7 SERIES 733I (E23)	1978 - 1987	FR
		7 SERIES 735I (E23)	1981 - 1987	FR
		7 SERIES 745I (E32)	1984 - 1987	FR
	LAMBORGHINI	JALPA 3.5 V8	1985 - on	FR
FDB1630	FIAT	PANDA 1.2 (4x2)	2005 - on	FR
FDB1631	VOLVO	S90/V90/XC90 XC90 2.5T - ALTERNATE	2004 - on	FR
		S90/V90/XC90 XC90 2.9 T6 - ALTERNATE	2003 - on	FR
		S90/V90/XC90 XC90 3.2	2007 - on	FR
		S90/V90/XC90 XC90 4.4 V8 (ALL MODELS)	2006 - on	FR
		S90/V90/XC90 XC90 D5 2.4 (ALL MODELS) - ALTERNATE	2004 - on	FR
FDB1635	VW	GOLF 5 1.6 COMFORTLINE, TRENDLINE	2004 - on	FR
		GOLF 5 1.9 TDI COMFORTLINE	2004 - on	FR
		GOLF 5 2.0 COMFORTLINE, TRENDLINE	2005 - on	FR
		JETTA 5 1.6 COMFORTLINE, TRENDLINE	2006 - on	FR
		JETTA 5 1.9 TDI COMFORTLINE	2006 - on	FR
		JETTA 5 2.0 COMFORTLINE, TRENDLINE	2006 - on	FR
FDB1639	SUBARU	FORESTER 2.0 GX -ALTERNATE	1997 - 02	FR
		FORESTER 2.0 GL , GT - ALTERNATE	1998 - 02	FR
		FORESTER 2.5 XEL - ALTERNATE	2003 - on	FR
		FORESTER 2.5X - ALTERNATE	2003 - on	FR
		FORESTER 2.5XEC - ALTERNATE	2003 - on	FR
		FORESTER 2.5 XT	11/03 - on	FR
		IMPREZA 2.0 GX SEDAN & S/WAGON	2000 - on	FR
FDB1640	OPEL	ASTRA III 1.4	2006 - on	FR

BUYERS GUIDE FRONT DISC PADS

PART No.	MAKE	MODEL	YEAR	FR
		ASTRA III 1.6 (ALL MODELS)	10/04 - on	FR
		ASTRA III 1.8 ENJOY & SPORT	2004 - on	FR
		ASTRA III 1.9 CDTI ENJOY	2006 - on	FR
		ASTRA III 2.0 TURBO OPC	2006 - on	FR
		ASTRA III 2.0 TURBO SPORT	2006 - on	FR
		ASTRA III TWINTOP 1,8	2006 - on	FR
		ASTRA III TWINTOP 2.0 T SPORT	2006 - on	FR
		CORSA II 1.7 CDTI (ALL MODELS)	2005 - on	FR
		MERIVA MERIVA 1.4	2006 - on	FR
		MERIVA MERIVA 1.6	09/03 - on	FR
		MERIVA MERIVA 1.7 CDTI	2005 - on	FR
		MERIVA MERIVA 1.8	09/04 - on	FR
		ZAFIRA 1.6 ESSENTIA - ALTERNATE	2006 - on	FR
		ZAFIRA 1.8 ELEGANCE	2005 - on	FR
		ZAFIRA 1.8 ENJOY (ALL MODELS)	2006 - on	FR
		ZAFIRA CAPTIVA	2006 - on	FR
		ZAFIRA 2.0 OPC	2007 - on	FR
		ZAFIRA 2.0T OPC	2005 - on	FR
		ZAFIRA 2.2i (ALL MODELS)	2004 - on	FR
FDB1641	AUDI	1.4 TFSI 1.4 TFSI		FR
		1.8 TFSI 1.8 TFSI		FR
		1.9 TDI 2.0 FSI	04/04 - on	FR
		1.9 TDI 2.0 TDI	11/03 - on	FR
		1.9 TDI 2.0T FSI	2005 - on	FR
		1.9 TDI SPORTBACK 2.0 FSI	2005 - on	FR
		1.9 TDI SPORTBACK 2.0 TDI	2007 - on	FR
		1.9 TDI SPORTBACK 2.0T FSI	2007 - on	FR
	SEAT	ALTEA 2.0 FSI	2006 - on	FR
		ALTEA 2.0 TDI	2006 - on	FR
	VW	CADDY MPV 1.6 (ALL MODELS)	10/04 - on	FR
		CADDY MPV 1.9 TDI	10/04 - on	FR
		EOS 2.0 FSI	2007 - on	FR
		EOS 2.0 TFSI	2007 - on	FR
		GOLF 5 2.0 FSI , 2.0 TDI SPORTLINE	2004 - on	FR
		GOLF 5 2.0 GTI	2005 - on	FR
		JETTA 5 2.0 FSI (ALL MODELS)	2006 - on	FR
		JETTA 5 2.0 TDI (ALL MODELS)	2006 - on	FR
		PASSAT 1.9TDI - ALTERNATE	2005 - on	FR
		PASSAT 2.0 FSI (ALL MODELS) - ALTERNATE	2005 - on	FR
		PASSAT 2.0 TDI (ALL MODELS) - ALTERNATE	2005 - on	FR
		PASSAT 2.0T FSI - ALTERNATE	2006 - on	FR
		PASSAT 3.2 V6 - ALTERNATE	2006 - on	FR
		TOURAN 1.9 TDI	2004 - on	FR
		TOURAN 2.0 FSI	2004 - on	FR
		TOURAN 2.0 TDI	2004 - on	FR
		CADDY 1.6i (ALL MODELS)	2005 - on	FR
		CADDY 1.9 TDI (ALL MODELS)	2005 - on	FR
		CADDY 2.0 SDI	2005 - on	FR
FDB1642	VW	CARAVELLE T5 2.5 TDI - (128KW - 17" WHEELS)	2004 - on	FR
FDB1646	NISSAN	MAXIMA 2.0 QX (ALTERNATE)	1997 - 00	FR
		MAXIMA 3.0 QX (ALTERNATE)	1996 - 00	FR
FDB1648	TOYOTA	AVENSIS 2	2006 - on	FR
		AVENSIS 2.2 D-4D	2006 - on	FR
		AVENSIS 2.4	2006 - on	FR
		COROLLA VERSO 1.6, 160 (ALL MODELS)	2005 - on	FR

BUYERS GUIDE FRONT DISC PADS

PART No.	MAKE	MODEL	YEAR	FR		
FDB165	PORSCHE	COROLLA VERSO 1.8, 180 (ALL MODELS)	2005 - on	FR		
		924 SERIES 2.0 CARRERA	08/80 - 81	FR		
		924 SERIES 2.0 TURBO	08/79 - 08/82	FR		
		924 SERIES 2.5 SPORT	08/79 - 85	FR		
		924 SERIES 2.5 S	09/85 - 01/88	FR		
		928 SERIES 4.5 16V	1977 - 12/79	FR		
		944 SERIES 2.5 (NOT TURBO)	04/82 - 06/89	FR		
FDB1651	FIAT	PUNTO 1.3 JTD	07/04 - on	FR		
		PANDA 1.2, 1.2 4X4	2005 - on	FR		
FDB1652	FIAT	PANDA 1.2, 1.2 4X4	2005 - on	FR		
FDB1654	VW	SHARAN 1.9 TDI	05/03 - on	FR		
FDB1658	HONDA	CR-V, CRX, HR-V CR-V 2.0	07/02 - on	FR		
		CR-V, CRX, HR-V CR-V 2.0 RVI, RVSI	2004 - on	FR		
FDB1659	JEEP	GRAND CHEROKEE LAREDO 2.7 CRD (TD) - ALTERNATE	12/01 - on	FR		
		GRAND CHEROKEE LAREDO 4.0 - ALTERNATE	2002 - on	FR		
		GRAND CHEROKEE LAREDO 4.7 V8 - ALTERNATE	08/02 - on	FR		
		GRAND CHEROKEE LIMITED 2.7 CRD (TD) - ALTERNATE	2001 - on	FR		
		GRAND CHEROKEE LIMITED 4.0 - ALTERNATE	2002 - on	FR		
		GRAND CHEROKEE LIMITED 4.7 V8 - ALTERNATE	2002 - on	FR		
FDB1661	MERCEDES BENZ	C-CLASS (W203 SERIES) C320 TO C350 (WITH SPORT PACKAGE) - ALTERNATE	2000 - on	FR		
		C-CLASS (W203 SERIES) C32K AMG	2001 - on	FR		
		C-CLASS (W203 SERIES) C 55 AMG	2004 - on	FR		
		CLK SERIES (A209 SERIES) CLK350 (ALL MODELS)	2005 - on	FR		
		CLK SERIES (A209 SERIES) CLK500 (ALL MODELS)	2003 - on	FR		
		CLK SERIES (A209 SERIES) CLK55 AMG (ALL MODELS)	2003 - on	FR		
		CLK SERIES (A209 SERIES) CLK63 AMG	2006 - on	FR		
		CLS SERIES CLS 350	2006 - on	FR		
		E-CLASS (W211 SERIES) E320	2002 - on	FR		
		E-CLASS (W211 SERIES) E320 CDI	2005 - on	FR		
		E-CLASS (W211 SERIES) E350	2005 - on	FR		
		E-CLASS (W211 SERIES) E500	2002 - on	FR		
		S-CLASS (W220 SERIES) S55 AMG	06/02 - on	FR		
		SLK SERIES (R171 SERIES) SLK350	2004 - on	FR		
		SLK SERIES (R171 SERIES) SLK55 AMG	2004 - on	FR		
		FDB1662	VW	POLO CLASSIC II 2	10/04 - on	FR
				POLO HATCH 1.8T GTI	2006 - on	FR
POLO HATCH 1.9 TDI SPORTLINE (96KW)	10/04 - on			FR		
POLO HATCH 2	10/04 - on			FR		
FDB1663	ALFA	147 3.2 GTA	2004 - on	FR		
		156 3.2 V6 GTA (ALTERNATE)	09/03 - on	FR		
FDB1664	LAMBIRGHINI	GALLARDO 5.0	2003 - on	FR		
FDB1666	PROTON	GEN. 2 1.6 (ALL MODELS)	2005-2007	FR		
		SATRIA 1.6	2007 - on	FR		
FDB1667	RENAULT	MEGANE II 2.0 RS 16V TURBO	08/04 - on	FR		
		MEGANE II 2.0 RS F1	2006 - on	FR		
FDB1669	HONDA	CIVIC 1.8 Lxi	2008- on	FR		
		FR-V 1.6	2004 - on	FR		
		FR-V 1.8	2007 - on	FR		
		FR-V 2	2005 - on	FR		
FDB1670	HYUNDAI	TERRACAN 2.9CRDI	11/03 - on	FR		
		TERRACAN 3.5 V6	11/03 - on	FR		
FDB1688	TOYOTA	LEXUS LS 430	2000 - on	FR		
FDB169	NISSAN	IMPORT 1800 4X4 & TRACKER - IMPORTED CALIPER	1980 - 83	FR		
		2200 IMPORTED CALIPER	1983 - 88	FR		

BUYERS GUIDE FRONT DISC PADS

PART No.	MAKE	MODEL	YEAR	FR
FDB1697	TOYOTA	LEXUS RX 300 , XE	04/03 - on	FR
FDB1698	TOYOTA	FORTUNER 3.0 D-4D 4X4	2006 - on	FR
		FORTUNER 3.0 D-4D RB	2006 - on	FR
		FORTUNER 4.0 4X4	2006 - on	FR
		FORTUNER 4.0 RB	2006 - on	FR
		LANDCRUISER PRADO 3.0 TDI GX & VX (ALL MODELS)	03/03 - on	FR
		LANDCRUISER PRADO 4.0 VX V5	03/03 - on	FR
FDB1699	PROTON	SAVVY 1.2 (ALL MODELS)	2006 - on	FR
FDB170	ROCSTA	- ALL MODELS ROCSTA - ALL MODELS	1994 - 98	FR
	FORD	BRAVO MINI BUS	1995 - on	FR
		HUSKY MINI BUS , PANEL VAN & PICK/UP	1985 - 97	FR
	MITSUBISHI	L300 SERIES 1600 CANTER MINI BUS & PANEL VAN	1982 - 85	FR
		L300 SERIES 1800 COMFORT WAGON & STAR WAGON	1983 - 87	FR
		L300 SERIES 2.0 PICK-UP	1987 - 01	FR
		L300 SERIES 2.0 SPACESTAR MINI BUS	1995 - 99	FR
		L300 SERIES 2.0 STARWAGON MINI BUS & PANEL VAN	1987 - 95	FR
FDB1704	HONDA	ACCORD 2.0	2007 - on	FR
		ACCORD 2.4 (ALL MODELS)	2003 - on	FR
FDB1706	FORD	FOCUS II 2.5 ST	2006 - on	FR
	MAZDA 6	2.3 MPS	2006 - on	FR
	VOLVO	C30 2.5 T5	2007 - on	FR
		S40/V40 S40 T5	05/04 - on	FR
		V50 2.5 T5 (ALL MODELS)	2004 - on	FR
FDB1707	MAZDA 3	2.3 MPS	2007 - on	FR
FDB1709	AUDI	S4 4.2 V8	08/97-09/01	FR
FDB1710	AUDI	A8 4.2 QUATTRO (WITH LUCAS CALIPER)	11/98 - 02	FR
FDB1711	JAGUAR	S - TYPE 4.2 V8	2002 - on	FR
FDB1712	JAGUAR	S - TYPE 2.7D SE	2006 - on	FR
		S - TYPE 4.2 V8 TYPE R	2003 - on	FR
FDB1714	MERCEDES BENZ	S-CLASS (W220 SERIES) S320 CDI	2002 - on	FR
		S-CLASS (W220 SERIES) S350	2002 - on	FR
		S-CLASS (W220 SERIES) S430	09/02 - on	FR
		S-CLASS (W220 SERIES) S500	09/02 - on	FR
		S-CLASS (W220 SERIES) S600	09/02 - on	FR
FDB1715	TOYOTA	LEXUS RX 300 , XE (ALTERNATE)	04/03 - on	FR
FDB1717	AUDI	A4 III (INCLUDING AVANT MO 1.8T (ALL MODELS)	2005 - on	FR
		A4 III (INCLUDING AVANT MO 2.0 (ALL MODELS)	2005 - on	FR
		A4 III (INCLUDING AVANT MO 2.0 TDI (103KW)	2005 - on	FR
		II 2.4 FROM CHASSIS NO. 4BX070001 >	2003 - 2004	FR
		II 2.5TDI FROM CHASSIS NO. 4BX070001 >	2003 - 2004	FR
		II 2.8 ALL MODELS FROM CHASSIS NO. 4BX070001 >	2003 - 2004	FR
		III 2.4	10/04 - on	FR
		III 2.5 TDI (ALL MODELS)	2004 - on	FR
		III 3.0 TDI	10/04 - on	FR
		III 3.2 FSI	10/04 - on	FR
FDB1725	PEUGEOT	407 2.0 HDI S/W	11/04 - on	FR
		407 2.0 HDI ST	11/04 - on	FR
		407 2.0 ST ALL MODELS	07/04 - on	FR
		407 2.0 S/WAGON	11/04 - on	FR
FDB1726	CITROEN	C6 2.2 HDi	2006 - on	FR
		C6 2.7 Hdi	2005 - on	FR
		C6 3.0 Hdi	2005 - on	FR
		407 2.2 ST SPORT	07/04 - on	FR
		407 2.7 HDI	2006 - on	FR
		407 3.0 ST EXECUTIVE	07/04 - on	FR

BUYERS GUIDE FRONT DISC PADS

PART No.	MAKE	MODEL	YEAR	FR		
FDB1728	CITROEN	407 3.0 V6 S/WAGON	11/04 - on	FR		
		C4 2.0 VTS COUPE	2007 - on	FR		
		C4 16V VTS COUPE	2004- on	FR		
FDB173	PEUGEOT	307 2.0 CC (100KW)	2004 - on	FR		
		307 2.0 CC (130KW)	2004 - on	FR		
	DAEWOO	CIELO 1.5 GL, 150IL	1996 - 98	FR		
FDB173	OPEL	ASCONA 1.3 L	1982 - 1985	FR		
		ASCONA 1.6, 1.8 (EXCLUDING 1.8 GSI)	1982 - 1987	FR		
		ASCONA 1.8 GSI	1984 - 1987	FR		
		KADETT CUB	1988 - 89	FR		
		KADETT T CAR	1985 - 89	FR		
		KADETT 1.8 GTE	1984 - 85	FR		
		KADETT 2.0 GSI	1987 - 89	FR		
		MONZA ALL MODELS	1986 - 89	FR		
		FDB1733	HYUNDAI	TIBURON 2	06/03 - on	FR
				TIBURON 2.7 V6	06/03 - on	FR
TUCSON 2.0 4X2	11/04 - on			FR		
TUCSON 2.0 CRDI 4X4	11/04 - on			FR		
TUCSON 2.7 4X4	11/04 - on			FR		
KIA	MAGENTIS 2		08/04 - on	FR		
	MAGENTIS 2.5		08/04 - on	FR		
	SPORTAGE 2.0 4X2 (ALL MODELS)		2005 - on	FR		
	SPORTAGE 2.0 4X4 (ALL MODELS)		2005 - on	FR		
	SPORTAGE 2.0 CRDI 4X4 (ALL MODELS)		2005 - on	FR		
FDB1735	KIA	SPORTAGE 2.7 AUTO 4X4	2005 - on	FR		
		SORENTO 2.5 TD	03/03 - on	FR		
FDB1738	SMART CAR	FORFOUR 1.3, 1.5 (ALL MODELS)	2004 - on	FR		
FDB1742	PORSCHE	911 SERIES 3.4 CARRERA 4	1998 - on	FR		
911 SERIES 3.6 GT2, GT3, TURBO		03/99 - on	FR			
911/997 SERIES 3.6 CARRERA (ALL MODELS)		2005 - on	FR			
911/997 SERIES 3.6 CARRERA 4		2006 - on	FR			
911/997 SERIES 3.6 TARGA 4		2006 - on	FR			
911/997 SERIES 3.8 CARRERA 4 S (ALL MODELS)		2006 - on	FR			
911/997 SERIES 3.8 CARRERA S (ALL MODELS)		2006 - on	FR			
911/997 SERIES 3.8 TARGA 4 S (ALL MODELS)		2006 - on	FR			
BOXSTER SERIES BOXSTER S		1999 - on	FR			
CAYMAN SERIES 3.4 S COUPE		2005 - on	FR			
FDB1747	BMW	1 SERIES (E87) 116i	2005 - on	FR		
		1 SERIES (E87) 118i	2005 - on	FR		
		1 SERIES (E87) 118D	2005- on	FR		
FDB1749	MERCEDES BENZ	A-CLASS (W169 SERIES) A170, A180 CDI, A200	2005 - on	FR		
FDB1750	MERCEDES BENZ	B170 B200 CDI	2006 - on	FR		
		B170 B200 T	2006 - on	FR		
FDB1751	BMW	1 SERIES (E87) 120D	2005 - on	FR		
		1 SERIES (E87) 120i	09/04 - on	FR		
		1 SERIES COUPE & CONVERTIB 120 D	2008 - on	FR		
		1 SERIES COUPE & CONVERTIB 120 i	2008 - on	FR		
		1 SERIES COUPE & CONVERTIB 125 i	2008 - on	FR		
FDB1758	MAZDA	RX SERIES RX-8	11/03 - on	FR		
FDB176	RENAULT	R5 ALL MODELS - IMPORTED CALIPER	1980 - 83	FR		
FDB1765	AUDI	1.9 TDI 3.2 V6 QUATTRO	10/04 - on	FR		
		1.9 TDI SPORTBACK 3.2 QUATTRO	2005 - on	FR		
	VW	PASSAT 1.9 TDI	2005 - on	FR		
		PASSAT 2.0 FSI (ALL MODELS)	2005 - on	FR		

BUYERS GUIDE FRONT DISC PADS

PART No.	MAKE	MODEL	YEAR	FR
		PASSAT 2.0 TDI (ALL MODELS)	2005 - on	FR
		PASSAT 2.0T FSI	2006 - on	FR
		PASSAT 3.2 V6	2006 - on	FR
FDB1773	BMW	1 SERIES (E87) 130i	2005 - on	FR
		3 SERIES 320D (E90)	2006 - on	FR
		3 SERIES 320D (E91) TOUR	2006 - on	FR
		3 SERIES 320i (E90)	2006 - on	FR
		3 SERIES 320i (E91) TOUR	2006 - on	FR
		3 SERIES 323i (E90)	2006 - on	FR
		3 SERIES 325i (E90)	2006 - on	FR
		3 SERIES 325i (E91) TOUR	2006 - on	FR
		3 SERIES 325i (E92) COUP	2006 - on	FR
		3 SERIES 330D (E90)	2006 - on	FR
		3 SERIES 330i (E90)	2006 - on	FR
		5 SERIES 523i (E60)	2005 - on	FR
FDB1778	VW	CRAFTER 3.6 ALL MODELS	2006 - on	FR
FDB1779	VW	CRAFTER 5T ALL MODELS	2006 - on	FR
FDB1783	KIA	PICANTO 1.1 EX (ALL MODELS)	2004 - on	FR
		PICANTO 1.1 LX (ALL MODELS)	2004 - on	FR
FDB1785	RENAULT	GRAND SCENIC II 1.9 DCI	2004 - 2005	FR
		GRAND SCENIC II 2.0 (ALL MODELS)	2004 - 2005	FR
FDB1790	CITROEN	C1 1.0i (ALL MODELS)	2006 - on	FR
	PEUGEOT	107 1	2006 - on	FR
FDB1794	ALFA	159 2.4 JTD	2007 - on	FR
		159 3.2 JTS V6 Q4	2006 - on	FR
		BRERA 3.2 Q4	2007 - on	FR
		SPIDER 3.2 V6 Q4	2007 - on	FR
FDB18	FORD	GALAXIE - LOCAL	1968 - on	FR
FDB1805	ALFA	159 1.9 JTS	2006 - on	FR
		159 2.2 JTS	2006 - on	FR
		BRERA 2.2 JTS	2006 - on	FR
		SPIDER 2.2 JTS	2007 - on	FR
FDB1810	MERCEDES BENZ	CLS SERIES CLS 55 AMG	2006 - on	FR
		E-CLASS (W211 SERIES) E55 AMG	11/02 - on	FR
		E-CLASS (W211 SERIES) E63 AMG	2006 - on	FR
		S-CLASS (W221 SERIES) S600L AMG	2006 - on	FR
		S-CLASS (W221 SERIES) S63 AMG	2007 - on	FR
		S-CLASS (W221 SERIES) S65 L AMG	2007 - on	FR
		SL-CLASS (R230 SERIES) SL55 AMG	2002 - on	FR
		SL-CLASS (R230 SERIES) SL65 AMG	2005 - on	FR
FDB1816	ISUZU	KB SERIES ALL MODELS	06/04 - on	FR
FDB1817	FORD	RANGER BAKKIE 2500D & 2500TD (Double Piston Caliper)	09/03 - on	FR
		RANGER BAKKIE 2500TD 4X4 (Double Piston Caliper)	09/03 - on	FR
		RANGER BAKKIE 2.5 TD 4X4 D/CAB	2007 - on	FR
		RANGER BAKKIE 2.5 TD HI TRAIL 4X2 D/CAB	2007 - on	FR
		RANGER BAKKIE 2.5 TD XLT 4X4	2007 - on	FR
		RANGER BAKKIE 2.5D S/CAB	2007 - on	FR
		RANGER BAKKIE 2.5TD 4X4 S/CAB	2007 - on	FR
		RANGER BAKKIE 2.5TD HI TRAIL 4X2 SUPER CAB	2007 - on	FR
		RANGER BAKKIE 2.5TD HI TRAIL XL 4X2 S/CAB	2007 - on	FR
		RANGER BAKKIE 3.0 TDCI HI TRAIL XLE 4X2 D/CAB	2007 - on	FR
		RANGER BAKKIE 3.0 TDCI XLE 4X4 D/CAB	2007 - on	FR
		RANGER BAKKIE 3.0 TDCI XLT 4X4 SUPER CAB	2007 - on	FR
		RANGER BAKKIE 3.0 TDCI XLT HI TRAIL 4X2 S/CAB	2007 - on	FR
		RANGER BAKKIE 3.0 TDCI XLT HI TRAIL 4X2 SUPER CAB	2007 - on	FR

BUYERS GUIDE FRONT DISC PADS

PART No.	MAKE	MODEL	YEAR	FR
		RANGER BAKKIE 4000 4X2 (Double Piston Caliper)	09/03 - on	FR
		RANGER BAKKIE 4000 4X4 (Double Piston Caliper)	09/03 - on	FR
		RANGER BAKKIE 4.0i V6 HI TRAIL XLE 4X2 D/CAB	2007 - on	FR
		RANGER BAKKIE 4.0i V6 XLE 4X4	2007 - on	FR
		RANGER BAKKIE 4.0i V6 XLT HI TRAIL 4X2 SUPER CAB	2007 - on	FR
	MAZDA	BT-50 SERIES BAKKIES 2500 TDI SLE 4X2 D/CAB	2007 - on	FR
		BT-50 SERIES BAKKIES 2500 TDI SLX 4X2	2007 - on	FR
		BT-50 SERIES BAKKIES 3000 CRDI 4X2	2007 - on	FR
		BT-50 SERIES BAKKIES 3000 CRDI SLE 4X2 D/CAB	2007 - on	FR
		BT-50 SERIES BAKKIES 3000 CRDI SLE 4X4 D/CAB	2007 - on	FR
		DRIFTER SERIES 2.5 TD SLE & SLX	2003 - on	FR
		DRIFTER SERIES 2.6i SLE & SLX	2003 - on	FR
FDB1818	TOYOTA	DYNA 5-103, 5-104	1998 - on	FR
FDB1827	AUDI	A8 4.2 QUATTRO	04/04 - on	FR
FDB1829	TOYOTA	YARIS 1.3 T3 (ALL MODELS)	2005 - on	FR
FDB1830	MERCEDES BENZ	GL SERIES GL320 CDI	2006 - on	FR
		GL SERIES GL500	2006 - on	FR
		M-CLASS (W164 SERIES) ML320 CDI	2005 - on	FR
		M-CLASS (W164 SERIES) ML350	2005 - on	FR
		M-CLASS (W164 SERIES) ML500	2005 - on	FR
		M-CLASS (W164 SERIES) ML63 AMG	2006 - on	FR
FDB1832	AUDI	A8 4.2 QUATTRO - ALTERNATE	2004 - on	FR
		S6 5.2 V10 QUATTRO	2007 - on	FR
		S8 5.2 V10 QUATTRO	2007 - on	FR
FDB1833	SAAB	40246 MODELS WITH 16" RIMS	2002 - on	FR
FDB1836	TOYOTA	HILUX 2.0 CH-CAB	2005 - on	FR
		HILUX 2.0 SRX VVT-I, 2.0 VVT-I	2005 - on	FR
		HILUX 2.5 D-4D LWB	2005 - on	FR
		HILUX 2.5 SRX D-4D LWB	2005 - on	FR
FDB1837	TOYOTA	DYNA 4-093	1999 - 2001	FR
FDB1840	HYUNDAI	ELANTRA 1.6 GLS	2001 - on	FR
		ELANTRA 1.8 GLS	2001 - on	FR
		MATRIX 1.6, 1.8	2002 - on	FR
FDB1852	TOYOTA	HILUX 2.5 SRX D-4D D/CAB 4X4	2005 - on	FR
		HILUX 2.5 SRX D-4D LWB 4X4	2005 - on	FR
		HILUX 2.5 SRX D-4D LWB RB	2005 - on	FR
		HILUX 2.7 RAIDER LWB VVT-I RB	2007 - on	FR
		HILUX 2.7 RAIDER VVT-I D/CAB RB	2005 - on	FR
		HILUX 2.7 SRX VVT-I LWB 4X4	2005 - on	FR
		HILUX 3.0 RAIDER D-4D D/CAB 4X4	2005 - on 2009	FR
		HILUX 3.0 RAIDER D-4D LWB RB	2005 - on 2009	FR
		HILUX 3.0 TDI RAIDER D/CAB RB	2005 - on 2009	FR
		HILUX 4.0 RAIDER D-CAB 4X4	2005 - on 2009	FR
FDB1854	TOYOTA	QUANTUM 2.5 D, D-4D (ALL MODELS)	2005 - on	FR
		QUANTUM 2.7 (ALL MODELS)	2005 - on	FR
FDB1859	HONDA	CIVIC 1.8 (ALL MODELS)	2006 - on	FR
FDB186	TOYOTA	HI-ACE 1800 PANEL VAN & WAGON	1982 - 83	FR
		HI-ACE 2000 PANEL VAN	1977 - 84	FR
		HI-ACE 2000 SUPER 10 & 16 SEATER BUS	1977 - 84	FR
		HILUX 1600	1982 - 83	FR
		HILUX 2000, 2000 SR5	1979 - 83	FR
		HILUX 2200 DIESEL	1980 - 83	FR
FDB1860	HYUNDAI	H-1 ALL MODELS	2009 - on	FR
	KIA	K2700	2001 - on	FR
FDB1865	RENAULT	GRAND SCENIC II 1.9DCI	2006 - on	FR

BUYERS GUIDE FRONT DISC PADS

PART No.	MAKE	MODEL	YEAR	FR
		GRAND SCENIC II 2.0 (ALL MODELS)	2006 - on	FR
		MEGANE II 1.5 DCI HATCH (WITH 16" WHEELS)	2006 - on	FR
		MEGANE II 1.6 C.C.	2006 - on	FR
		MEGANE II 1.6 HATCH (WITH 16" WHEELS)	2006 - on	FR
		MEGANE II 1.6 SEDAN (WITH 16" WHEELS)	2006 - on	FR
		MEGANE II 1.9 DCI HATCH (ALL MODELS)	2006 - on	FR
		MEGANE II 1.9 DCI SEDAN (ALL MODELS)	2006 - on	FR
		MEGANE II 1.9DCI C.C.	2006 - on	FR
		MEGANE II 2.0 C.C.	2006 - on	FR
		MEGANE II 2.0 SEDAN (ALL MODELS)	2006 - on	FR
		MEGANE SCENIC II 1.6 (WITH 16" WHEELS)	2006 - on	FR
		MEGANE SCENIC II 1.9 DCI (ALL MODELS)	2006 - on	FR
		MEGANE SCENIC II 2.0 (ALL MODELS)	2006 - on	FR
FDB1866	LANCER	1.6 GLX	08/02 - on	FR
	RENAULT	MEGANE II 1.5 DCI HATCH (WITH 15" WHEELS)	2006 - on	FR
		MEGANE II 1.6 HATCH (WITH 15" WHEELS)	2006 - on	FR
		MEGANE II 1.6 SEDAN (WITH 15" WHEELS)	2006 - on	FR
		MEGANE SCENIC II 1.6 (WITH 15" WHEELS)	2006 - on	FR
FDB1869	KIA	CARENS II (ALL MODELS)	2003 - on	FR
FDB1877	VW	TOUAREG 3.0 V6 TDI	11/06 - on	FR
		TOUAREG 3.2 V6	11/06 - on	FR
FDB1881	NISSAN	PATHFINDER 2.5D, 2.5 DCI	2005 - on	FR
		PATHFINDER 4	2005 - on	FR
FDB1883	BMW	7 SERIES 745i (E65)	2002 - on	FR
		7 SERIES 750i (E65)	2005 - on	FR
		7 SERIES 760i (E65, E66)	2006 - on	FR
		7 SERIES 760Li	03/03 - on	FR
		M SERIES M5 (E60)	2006 - on	FR
		M SERIES M6 (ALL MODELS)	2006 - on	FR
FDB1890	TOYOTA	YARIS 1.0 T1 (ALL MODELS)	2006 - on	FR
FDB1891	TOYOTA	RAV 4 2.2D-4D (ALL MODELS)	2006 - on	FR
FDB1893	MAZDA	MX SERIES MX-5 2.0	2005 - on	FR
FDB1896	SEAT	IBIZA 1.9 TDI CUPRA	2006 - on	FR
		IBIZA 1.9 TDI FR	2006 - on	FR
		IBIZA 2.0 SPORT	2006 - on	FR
		LEON 2.0 FSI	2006 - on	FR
		LEON 2.0 TDI	2006 - on	FR
		LEON 2.0 TFSI	2006 - on	FR
FDB1897	LAND ROVER	FREELANDER II 2.2D S, SE, HSE	2007 - on	FR
		FREELANDER II 3,2 V6 S, SE, HSE	2007 - on	FR
FDB1900	TATA	INDICA 1.4 (WITH ABS) 1.4	2004 - 2006	FR
FDB1907	MERCEDES BENZ	C-CLASS (W203 SERIES) C180 TO C280 (WITH SPORT PACKAGE)	2000 - 2007	FR
		C-CLASS (W203 SERIES) C320 TO C350 (WITH SPORT PACKAGE)	2000 - on	FR
FDB1911	TOYOTA	LEXUS RX 300 , XE	10/00-04/03	FR
FDB1919	OPEL	CORSA D 1.3 CDTi (90 HP)	2009 - on	FR
FDB192	BMW	3 SERIES 320i IMPORTED	1983 - 85	FR
		3 SERIES 323i IMPORTED	1983 - 85	FR
FDB1920	OPEL	CORSA D 1.0 ALL MODELS (75 HP)	2009 - on	FR
		CORSA D 1.2 ALL MODELS (75 HP)	2009 - on	FR
		CORSA D 1.3 ALL MODELS (75 HP)	2009 - on	FR
FDB1921	OPEL	CORSA D 1.7 CDTi	2009 - on	FR
FDB1934	CHEVROLET	CAPTIVA 2.4 (ALL MODELS)	2007 - on	FR
FDB1936	TOYOTA	LEXUS IS 250 (ALL MODELS)	2006 - on	FR
FDB1943	FORD	TERRITORY 4.0 GHIA (ALL MODELS)	2005 - on	FR
		TERRITORY 4.0 TX	2005 - on	FR

BUYERS GUIDE FRONT DISC PADS

PART No.	MAKE	MODEL	YEAR	FR
		TERRITORY 4.0I ST	2006 - on	FR
FDB1944	FIAT	500 1.2 POP	2008 - on	FR
FDB1946	FIAT	500 1.4 LOUNGE & SPORT	2008 - on	FR
FDB195	LADA	NIVA 4X4	1987 - on	FR
FDB1950	HYUNDAI	ATOZ 1.0 PRIME	2001 - on	FR
		ATOZ 1.1 PRIME	2003 - on	FR
FDB1951	JAGUAR	JR	1997 - on	FR
FDB1954	CHRYSLER	300C 2.7	2005 - on	FR
		300C 3.0 CRD	2005 - on	FR
FDB1955	HYUNDAI	ACCENT 1.6 GLS	2006 - on	FR
		ACCENT 1.6 GLS HIGH SPEC (ALL MODELS)	2006 - on	FR
	KIA	RIO 1.4 HATCH & SEDAN	2005 - on	FR
		RIO 1.4 HIGH SPEC (ALL MODELS)	2005 - on	FR
FDB1957	SEAT	IBIZA 1.8T CUPRA	2006 - on	FR
FDB1965	NISSAN	LIVINA ALL MODELS	2007 - on	FR
		TIIDA 1.6, 1.8 (ALL MODELS)	2006 - on	FR
FDB1968	LANCER	2.0 EVO VIII	2004 - on	FR
FDB1974	MINI	COOPER (NEW) COOPER S 1.6 R56	2007 - on	FR
FDB1978	MERCEDES BENZ	C-CLASS (W204 SERIES) C180K (ALL MODELS)	2008 - on	FR
		C-CLASS (W204 SERIES) C200K (ALL MODELS)	2007 - on	FR
		C-CLASS (W204 SERIES) C220 CDI (ALL MODELS)	2007 - on	FR
FDB1979	MERCEDES BENZ	C-CLASS (W204 SERIES) C280 (ALL MODELS)	2007 - on	FR
		C-CLASS (W204 SERIES) C320 CDI (ALL MODELS)	2007 - on	FR
		C-CLASS (W204 SERIES) C350 (ALL MODELS)	2007 - on	FR
FDB1987	DAIHATSU	MOVE	1997 - 00	FR
FDB1988	DAIHATSU	CHARADE	06/03 - on	FR
		CUORE	2001 - on	FR
FDB1990	KIA	PREGIO PANEL VAN	2001 - on	FR
FDB1996	RANGE ROVER	SPORT 4.2 V8 SPORT	2007 - on	FR
FDB1997	NISSAN	NAVARA 2.5 DCI	2005 - on	FR
		NAVARA 4.0I (ALL MODELS)	2005 - on	FR
		NAVARA 2.5Dci ,4.0i(WITH REAR DISCS)	2005 - on	FR
FDB1999	SSANGYONG	STAVIC 270XDI	2006 - on	FR
FDB2	2.0 SUPER	2.0 SUPER	1982 - 85	FR
	ALFETTA	ALL MODELS	1972 - 85	FR
	AUDI	80 - 90 90 SUPER	1968 - 72	FR
	ALFA	GIULIA - GIULETTA GIULIA 1.3 & 1.6	1967 - 77	FR
		GIULIA - GIULETTA GIULETTA 1.8 & 2.0	1979 - 85	FR
		GT - GTV GT JUNIOR 1.3 & 1.6	1969 - 77	FR
	BMW	1800, 2000 & 2000TI 1800, 2000 & 2000TI	1964 - 74	FR
		1804 & 2004 1804 & 2004	1972 - 75	FR
	FORD	TAUNUS 17M & 20M	1965 - 68	FR
	OPEL	MANTA 1600 & 1900	1971 - 76	FR
		REKORD COUPÉ	1967 - 71	FR
		REKORD SIX	1968 - 69	FR
	PORSCHE	911 SERIES 2	1965 - 69	FR
		912 SERIES 1.6	1965 - 70	FR
		914 SERIES 1.7 VW PORSCHE 4	1969 - 75	FR
	RANGER	ALL MODELS	1968 - 73	FR
	VW	411 & 412 411 & 412	1969 - 74	FR
FDB20	FIAT	850	1968 - 69	FR
FDB206	FORD	ESCORT ALL OTHER MODELS	1981 - 86	FR
		SAPPHIRE 1.6, 2.0	1988 - 93	FR
		SIERRA 1.6 & 2.0	1987 - 93	FR
		BANTAM BAKKIE 1300	1983 - 1986	FR

BUYERS GUIDE FRONT DISC PADS

PART No.	MAKE	MODEL	YEAR	FR
		BANTAM BAKKIE 1400	1986 - 1993	FR
		BANTAM BAKKIE 1600	1984 - 1993	FR
	MAZDA	323 SERIES 1.3, 1.4, 1.6 FWD	1980 - 81	FR
		RUSTLER 1400	1985 - 1993	FR
		RUSTLER 1600	1985 - 1993	FR
	OPEL	KADETT CUB 140 & 160	1990 - 93	FR
		KADETT 1.8l	1990 - 93	FR
		KADETT 2.0 GSI	1990 - 93	FR
		MONZA 160, 180 & 200	1990 - 93	FR
	TOYOTA	CRESSIDA 2.4l	1987 - 93	FR
		CRESSIDA 2.8l	1985 - 86	FR
			1986 - 89	FR
		CRESSIDA 3.0l TWIN CAM	1989 - 93	FR
		CRESSIDA ALL MODELS EXCEPT 2.4l & 2.8l	1980 - 93	FR
FDB208	HONDA	BALLADE	1982 - 84	FR
FDB209	VW	CITIGOLF ALL MODELS	1983 - 84	FR
		GOLF 1 ALL MODELS EXCEPT GTI	1982 - 84	FR
		JETTA 1 ALL MODELS EXCEPT CLI	1982 - 84	FR
		PASSAT ALL MODELS EXCEPT CLI	1982 - 84	FR
		GOLF P/UP GOLF PICK UP (ALL MODELS)	1982 - 84	FR
FDB21	FIAT	1100 D	1965 - 66	FR
		124	1967 - 68	FR
		850	1970 - 71	FR
FDB211	AUDI	QUATTRO	1980 - 85	FR
FDB212	FORD	ESCORT XR3	1981 - 86	FR
		ESCORT XR3i	1984 - 86	FR
		SIERRA 1.6, 2.0 & 2.3	1983 - 86	FR
FDB215	NISSAN	200 - 370 SERIES 280ZX	1980 - 85	FR
		E20 MINI - BUS & PANEL VAN (ALL MODELS)	1984 - 95	FR
FDB225	NISSAN	LAUREL 2.0 & 2.8 - 1ST ALTERNATIVE	1980 - 87	FR
FDB229	RENAULT	R5 GTL	1977 - 85	FR
		R5 1400 TS	1982 - 85	FR
		R11 - ALL MODELS	1985 - 86	FR
		R5 PANEL VAN	1980 - 85	FR
FDB229W/I	RENAULT	R9 - ALL MODELS	1983 - 86	FR
FDB24	CITROEN	DS19, DS20, DS20/5	1967 - 73	FR
FDB241	FORD	LASER IMPORTED MODELS	1986 - on	FR
FDB242	VW	GOLF 1 GTI	1982 - 85	FR
		JETTA 1 CLI	1982 - 84	FR
		PASSAT CLI	1982 - 84	FR
FDB243	MERCEDES BENZ	300SE (W126 SERIES) 300SE (W126 SERIES)	1986 - 92	FR
		420SE 420SE	1986 - 92	FR
		500SE; 560SE; SEC; (W126 SERIES)	1989 - 93	FR
		500SE; 560SE; SEC; (W126 SERIES) - ALTERNATE	1989 - 93	FR
		ALL MODELS EXCEPT 380SEC & 500SEC	1981 - 86	FR
		W116 SERIES 280S, 280SE, 350SE	1980 - 1981	FR
		W123 SERIES 230, 230E, 250, 280E, 300D	1980 - 1986	FR
		W126 SERIES 280SE	1981 - 1987	FR
		W126 SERIES 300SE	1986 - 1992	FR
		W126 SERIES 380SE	1981 - 1987	FR
		W126 SERIES 420SE	1986 - 1992	FR
		W126 SERIES 500SE	1989 - 1993	FR
		W126 SERIES 560SE, 560SEC	1989 - 1993	FR
		W126 SERIES 560SE, 560SEC (ALTERNATE)	1989 - 1993	FR
FDB256	BMW	3 SERIES 325IS (E30)	1987 - 92	FR

BUYERS GUIDE FRONT DISC PADS

PART No.	MAKE	MODEL	YEAR	FR
		5 SERIES 520I (E28)	1985 - 1989	FR
		5 SERIES 525E (E28)	1986 - 1989	FR
		5 SERIES 528I (E28)	1985 - 1989	FR
		5 SERIES 535I (E28)	1985 - 1989	FR
		6 SERIES 635 CSI	1983 - 89	FR
		M SERIES M5	1986 - 89	FR
	FERRARI	308 GT4, GTB & GTS	1982 - on	FR
		MONDIAL 3.0 16V	1981 - on	FR
		MONDIAL 3.0 32V	1983 - on	FR
		MONDIAL 3.0 CABRIOLET	1984 - on	FR
		MONDIAL 3.2	1985 - on	FR
	MASERATI	BI-TURBO, 222, 425, SPIDER	1989 - on	FR
		2.8 GHIBLI	1989 - on	FR
	PORSCHE	928 SERIES 4.5 16V	12/79 - 07/82	FR
		928 SERIES 4.7 S 16V	1981 - 08/83	FR
FDB258	NISSAN	PULSAR DL, GX, 1500 & PANACHE	1980 - 87	FR
FDB259	FORD	ESCORT 1400I, 1600I GL, GLE, SPORT, 1800I	03/96 - 00	FR
		ESCORT 1.4I, 1.6I, 1.8I (ALL MODELS)	03/96 - 00	FR
		FIESTA 1.3I (ALL MODELS)	2001 - 2004	FR
		FIESTA 1.4I (ALL MODELS)	2001 - 2003	FR
		FIESTA 1.6 RSI & SPORT	2001 - 2003	FR
		IKON ALL MODELS	03/01 - on	FR
		BANTAM BAKKIE ALL MODELS	2002 - on	FR
	MAZDA	323 SERIES 1.3, 1.4, 1.6 FWD	1982 - 84	FR
	TOYOTA	CONQUEST 1300	1985 - 1998	FR
			1988 - 1993	FR
		CONQUEST 130, 130 SPORT	1993 - 01	FR
		CONQUEST 130 TAZZ, ZIP	1996 - on	FR
		CONQUEST 1600	1985 - 1988	FR
			1988 - 1993	FR
		CONQUEST 160I SPORT, 160I RS	1993 - 1998	FR
		CONQUEST 160I RSE	1998 - 01	FR
		CONQUEST 180 RSI	07/94 - 96	FR
		CONQUEST 180I	1993 - 1998	FR
		COROLLA AVANTE - ALL MODELS EXCEPT 16V	1984 - 88	FR
		COROLLA 1.3 (FRONT WHEEL DRIVE)	1984 - 1988	FR
		COROLLA 1.3	1988 - 1992	FR
		COROLLA 130 (ALL MODELS)	1993 - 02	FR
		COROLLA 1.6 (FRONT WHEEL DRIVE)	1984 - 1988	FR
		COROLLA 1.6	1984 - 88	FR
		COROLLA 1.6 GL, GLS & GLX	1988 - 93	FR
		COROLLA 1.6 GLE	1992 - 94	FR
		COROLLA 160I GL, GLE	1993 - 04/98	FR
			2001 - 2002	FR
		COROLLA 180I GL	1993 - 94	FR
		COROLLA 180I GSE	1993 - 98	FR
		COROLLA 180I GLE	07/01 - on	FR
			1993 - 04/98	FR
		COROLLA SPRINTER 130, 160I, 180I	1993 - 97	FR
		TAZZ ALL MODELS	1999 - on	FR
		CONQUEST CARRI PANEL VAN	1998 - 00	FR
FDB265	LOTUS	ESPRIT SE	1989 - on	FR
		ESPRIT TURBO	1987 - on	FR
	TOYOTA	CELICA SUPRA	1981 - 07/86	FR
FDB270	RENAULT	FUEGO TURBO	1984 - 85	FR

BUYERS GUIDE FRONT DISC PADS

PART No.	MAKE	MODEL	YEAR	FR
FDB271	MAZDA	B SERIES ALL MODELS WITH IMPORTED CALIPER	1983 - 85	FR
FDB276	FORD	SIERRA XR6	1984 - 86	FR
FDB28	RENAULT	R16 R16	1966 - 72	FR
FDB285	HONDA	BALLADE 130	1984 - 89	FR
		BALLADE 150, 150I	1984 - 1989	FR
		BALLADE 150I (ALTERNATE FRONT DISC)	1984 - 1989	FR
		BALLADE 160I	1984 - 89	FR
FDB286	FORD	GRANADA 2.3L	1984 - 86	FR
FDB287	MERCEDERS BENZ	TFM SCOUT 4X4 TFM SCOUT 4X4	1990 - on	FR
FDB288	TOYOTA	HILUX 2000 4X4	1980 - 86	FR
		HILUX 2200 4X4	1985 - 86	FR
		HILUX 2200 4X4 (ALL MODELS)	1987 - 94	FR
		HILUX 2400 4X4 RAIDER	1994 - on	FR
		LANDCRUISER DLX 4X4 PETROL & DIESEL	1985 - 94	FR
		LANDCRUISER LAND CRUISER 4X4	1984 - 88	FR
FDB29	FIAT	124	1969 - 77	FR
		125	1969 - 75	FR
		128	1971 - 84	FR
		131	1977 - 80	FR
		132	1975 - 78	FR
		ELITA	1978 - 80	FR
		X1/9	1977 - 80	FR
FDB293	NISSAN	LANGLEY ALL MODELS - IMPORTED CALIPER	1983 - 87	FR
FDB295	ISUZU	KB SERIES ALL MODELS	1981 - 83	FR
FDB297	MITSUBISHI	1800 P/V & DS	1983 - on	FR
FDB3	DAIMLER	JUNIOR	1962 - 65	FR
	OPEL	KADETT	1967 - 73	FR
		KADETT - MODELS WITH DISCS	1966 - 67	FR
	PORSCHE	914 SERIES 2.0 VW PORSCHE 6	1969 - 73	FR
	VW	PASSAT SEDAN, VARIANT & FASTBACK 1600	1966 - 69	FR
FDB30	LANCIA	FLAVIA & FULVIA NON SERVO	1965 - 74	FR
FDB300	HONDA	BALLADE 150 16V SOHC	1989 - 92	FR
		PRELUDE	1984 - 87	FR
FDB303	BMW	3 SERIES 316 & 316I (E30)	1986 - 91	FR
		3 SERIES 318I (E30)	1983 - 91	FR
		3 SERIES 320I (E30)	1983 - 91	FR
		3 SERIES 323I (E30)	1983 - 91	FR
		3 SERIES 325I (E30)	1986 - 91	FR
		3 SERIES 325I - SHADOW LINE (E30)	1986 - 91	FR
		Z SERIES Z1	1989 - 91	FR
	MERCRDES BENZ	190E 1.8; 2.0 (W201 SERIES)	1982 - 87	FR
FDB304	MAZDA	626 SERIES 1.6	1983 - 1989	FR
		SERIES 1.8L	1983 - 1993	FR
		SERIES 2	1983 - 1986	FR
		SERIES 2.0 EGI	1987 - 1989	FR
		SERIES 2.0 SL	1989 - 1992	FR
		SERIES 2.0 SLI 16V	1989 - 92	FR
FDB306	TOYOTA	STALLION 1.5 SR5	1988 - 1992	FR
		STALLION 1800 PANEL VAN	2000 - 2003	FR
		STALLION 1800 PICK/UP & PANEL VAN	1991 - 2000	FR
		STALLION 2000 PANEL VAN	2003 - on	FR
		STALLION 2400 PICK/UP & PANEL VAN	1995 - 2000	FR
		VENTURE VENTURE 1800	1991 - 00	FR
		VENTURE VENTURE 2200	03/94 - 00	FR
		VENTURE VENTURE 2.4 DIESEL	1996 - 00	FR

BUYERS GUIDE FRONT DISC PADS

PART No.	MAKE	MODEL	YEAR	FR	
FDB308	TOYOTA	CONQUEST 1600 RSI 16V	1986 - 1988	FR	
			1988 - 1993	FR	
		CONQUEST 180 RSI	1993 - 06/94	FR	
		COROLLA AVANTE GLI 16V TWIN CAM	1985 - 88	FR	
		COROLLA 1600 TWIN CAM 16V	1985 - 88	FR	
		COROLLA 1.6 GLI & EXEC	1988 - 93	FR	
		COROLLA 160I GL , GLE	04/98 - 07/01	FR	
		COROLLA 160 RSI	97 - 01	FR	
		COROLLA 160 RXI	1998 - 02	FR	
		COROLLA 160I GLS	02/01 - on	FR	
		COROLLA 180I GSX	1993 - 96	FR	
		COROLLA 180I GLE	04/98 - 07/01	FR	
		MR2 1.6	09/86 - 04/90	FR	
FDB319	MITSUBISHI	TREDIA 1.4, 1.6 & 1.8 - IMPORTED CALIPER	1983 - 86	FR	
FDB32	PROTON	CLASSIC V8	1966 - 67	FR	
FDB33	NISSAN	160 & 1600 SERIES 1600 & 1600 SSS - IMPORTED	1969 - 73	FR	
FDB330	PORSCHE	924 SERIES 2.0 (NOT TURBO)	04/77 - 07/85	FR	
FDB34	BMW	2.5, 2.8, 3.0 & S & L 2.5, 2.8, 3.0 & S & L	1968 - 79	FR	
		5 SERIES 518 (E12)	1974 - 1978	FR	
		5 SERIES 525 (E12)	1974 - 1978	FR	
		5 SERIES 530 (E12)	1976 - 1978	FR	
		FERRARI	400 GT	1976 - on	FR
		BERLINETTA BOXER	1975 - on	FR	
FDB340	NISSAN	1800 4X4 & TRACKER - LOCAL CALIPER	1983 - 86	FR	
		2200 LOCAL CALIPER	1983 - 88	FR	
		2300 2300	1985 - 88	FR	
FDB342	MINI	COOPER	1963 - 69	FR	
		COOPER 1.6	2003-on	FR	
FDB343	AUDI	400 SERIES	1987 - 91	FR	
		500 2.2	1983 - 89	FR	
		500 500E 2.2, 500SE	1983 - 92	FR	
FDB349	ALFA	33 ALL MODELS	1983 - 85	FR	
FDB35	AUDI	100 LS	1970 - 72	FR	
	BMW	1602 & 2002	1969 - 74	FR	
FDB350	LANCIA	DELTA 1600 TURBO	6/86 - on	FR	
		PRISMA ALL MODELS	1986 - on	FR	
FDB351	FIAT	UNO RANGE FIRE 1100	1990 - 99	FR	
		UNO RANGE PACER 1400 & 1400 SX	1990 - 99	FR	
		UNO RANGE BEAT	1996 - 98	FR	
		UNO RANGE CENTO 1000	1996 - 98	FR	
		UNO RANGE FIRE RIO 1100	1996 - 99	FR	
		UNO RANGE TEMPO 1100	1998 - 00	FR	
		UNO RANGE MIA 1100 & 1400	1998 - on	FR	
		UNO EXPRESSO PANEL VAN	1992 - 96	FR	
FDB354	MERCEDES BENZ	380 SEC (W126 SERIES) 380 SEC (W126 SERIES)	1981 - 86	FR	
		500SEC (W126 SERIES) 500SEC (W126 SERIES)	1981 - 86	FR	
		W126 SERIES 380SEC	1981 - 1985	FR	
		W126 SERIES 500SEC	1981 - 1985	FR	
FDB357	MITSUBISHI	TREDIA 1.4, 1.6 & 1.8 - LOCAL CALIPER	1983 - 86	FR	
FDB359	ALFA	33 ALL MODELS - (ALTERNATE)	1983 - 85	FR	
FDB36	RENAULT	R5, LS, LS & PS	1975 - 82	FR	
	RENAULT	R16 NTS & TSL	1969 - 75	FR	
FDB362	DACIA	CRISTAL STATION WAGON	1996 - on	FR	
		ELAN BAKKIE	1996 - on	FR	
		MAGIC DOUBLE CAB	1996 - on	FR	

BUYERS GUIDE FRONT DISC PADS

PART No.	MAKE	MODEL	YEAR	FR		
FDB364	LANCIA	PRISMA ALL MODELS	1985 - 86	FR		
FDB368	MITSUBISHI	TREDIA 1800 TURBO & VORTEX	1984 - 86	FR		
FDB370	ALFA	145 2.0 QUADRIFOGLIO	1994 - 02/95	FR		
		146 2.0 TI TWIN SPARK SEDAN	1994 - 02/95	FR		
		155 2.0 TWIN SPARK	93 - 04/96	FR		
		FIAT	UNO RANGE TURBO 1400	1990 - 99	FR	
		FDB373	NISSAN	EXA 1500	1983 - 87	FR
LANGLEY ALL MODELS - LOCAL CALIPER	1983 - 88			FR		
PULSAR 1300S & 1500 GL	1983 - 87			FR		
SENTRA ALL MODELS EXCEPT 1.6 GXEI & 1.8I 16V	1987 - 92			FR		
SENTRA ALL MODELS EXCEPT 200 STI & 200 GSI	08/97 - 02			FR		
SENTRA ALL EXCEPT 1.6 GXEI & 1.8I 16V (ALTERNATE DISC)	1987 - 1992			FR		
SENTRA 1.3	1987 - 1992			FR		
SENTRA 1.6 GXEI	1987 - 92			FR		
SENTRA 1.8I 16V SEDAN & COUPE	1989 - 92			FR		
SENTRA SABRE 160 GXI	08/97 - 99			FR		
1400 1400 P/ UP	1988 - on			FR		
FDB374	MAZDA NISSAN			B SERIES ALL MODELS WITH LOCAL CALIPER	1983 - 85	FR
				200 - 370 SERIES 280L	1983 - on	FR
		LAUREL 2.0 & 2.8	1980 - 87	FR		
		SKYLINE 1.8 & 2.0	1982 - 87	FR		
		SKYLINE 2.8 GLX & GTX	1982 - 87	FR		
FDB388	CAM FOTON GONOW GWM HYUNDAI MEIYA TOYOTA	INYATHI 2.2 MINI-BUS	2006 - on	FR		
		MINI-BUS & PANEL VAN 2.2 (ALL MODELS)	2007 - on	FR		
		X-SPACE BAKKIE 2.2 BAKKIE (ALL MODELS)	2007 - on	FR		
		2.2 BAKKIE 2.2 BAKKIE (ALL MODELS)	2007 - on	FR		
		INYATHI TAXI 2.2	2006-on	FR		
		2.2 BAKKIE 2.2 D/CAB BAKKIE (ALL MODELS)	2007 - on	FR		
		2.2 BAKKIE 2.2 S/CAB BAKKIE (ALL MODELS)	2007 - on	FR		
		2.2 SUV 2.2 SUV (ALL MODELS)	2007 - on	FR		
		2.8 BAKKIE 2.8TD D/CAB BAKKIE	2007 - on	FR		
		2.8 BAKKIE 2.8TD S/CAB BAKKIE	2007 - on	FR		
		HI-ACE 1800 PANEL VAN & WAGON	1984 - 90	FR		
		HI-ACE 2000 SUPER CUSTOM TURBO BUS	1984 - 86	FR		
		HI-ACE 2000 CUSTOM BUS	1984 - 87	FR		
		HI-ACE 2000 PANEL VAN & COMMUTER 16 BUS	1984 - 87	FR		
		HI-ACE 2200 PANEL VAN & BUS (ALL MODELS)	1987 - 02/93	FR		
		HILUX 1600	1984 - 87	FR		
		HILUX 1800 S, SR	1987 - 04/94	FR		
		HILUX 2000, 2000 SRX	1984 - 87	FR		
		HILUX 2200 DIESEL	1984 - 86	FR		
		HILUX 2200, 2200 SRX	1987 - 04/94	FR		
		HILUX 2400 DIESEL	1985 - 07/93	FR		
		HILUX 2400 DIESEL 4X4	1989 - 07/93	FR		
		FDB39	NISSAN	120 & 1200 SERIES 120 & 1200GX	1972 - 75	FR
120 & 1200 SERIES 120Y, DL & SDX	1975 - 80			FR		
120Y - 140Y 120Y PANEL VAN	1976 - 80			FR		
FDB392	VW	CITIGOLF 1.4I VELOCITI	2004 - on	FR		
		CITIGOLF 1.4I CITI RHYTHM	2005 - on	FR		
		CITIGOLF 1.6I VELOCITI (WITH VENTED DISCS)	1999 - on	FR		
		CITIGOLF SPORT 1.8 (ALTERNATE FRONT DISC)	1988 - 1997	FR		
		CITIGOLF SPORT 1.8	1988 - 97	FR		
		CITIGOLF CTI 1.8 (ALTERNATE FRONT DISC)	1991 - 1997	FR		
		CITIGOLF CTI 1.8	1991 - 97	FR		
		1.6 ALL MODELS 1.8 GTI (8V)	1984 - 92	FR		

BUYERS GUIDE FRONT DISC PADS

PART No.	MAKE	MODEL	YEAR	FR
		1.6 ALL MODELS 1.8 GTI (8V) - ALTERNATIVE	1984 - 92	FR
		1.6 ALL MODELS 1.8 GTI (16V)	1986 - 90	FR
		GOLF 3 GS, GSX, GTS (VENT DISC)	1992 - 03/96	FR
		JETTA 2 1.8 CLI	1984 - 87	FR
		JETTA 2 1.8 CLI - ALTERNATE	1984 - 87	FR
		JETTA 2 1.8 CLI & 16V	1987 - 92	FR
		JETTA 2 1.8 CSI	1990 - 92	FR
		JETTA 3 CLX, CSL, CSX (WITH VENT DISC)	1992 - 03/96	FR
		PASSAT ALL 5 CYL MODELS WITH VENT DISCS EXCEPT CLI	1983 - 87	FR
		GOLF P/UP GOLF CADDY(ALL MODELS) - WITH VENT DISC	1992 - 2005	FR
FDB393	PEUGEOT	306 1.8 CABRIOLET	1996 - 03/97	FR
		405 GR 1.8 ESTATE, SRTD 1.9 ESTATE	1996 - 97	FR
	RENAULT	R9 - IMPORTED CALIPER	1983 - 86	FR
FDB395	FORD	LASER ALL MODELS EXCEPT TX3 & 1600I SPORT	1986 - 95	FR
		LASER 1.3, 1.6 DASH, TRACER, TONIC	1995 - on	FR
		LASER TX-3	1986 - on	FR
		LASER 1600I SPORT	1986 - 96	FR
		LASER 1.6I TRACER, SPORT	1995 - on	FR
		LASER 2.0I RS	1991 - 94	FR
		METEOR ALL EXCEPT 1600 GLI & 2.0 GLE & GLI	1986 - 95	FR
		METEOR 1600 GLI	1986 - 89	FR
		METEOR 2.0 GLE	1991 - 94	FR
		METEOR 2.0 GLI 16V	1991 - 94	FR
		BANTAM BAKKIE ALL MODELS EXCEPT 1600I	1994 - 1999	FR
			2000 - 2002	FR
		BANTAM BAKKIE 1600I	1994 - 2002	FR
	MAZDA	323 SERIES 1.3, 1.5	1985 - 91	FR
		323 SERIES 130 MIDGE & STING	1995 - on	FR
		323 SERIES 1.6 EGI, GLE	1985 - 94	FR
		323 SERIES 1.6I SLE	1988 - on	FR
		323 SERIES 160 MIDGE	1995 - 99	FR
		323 SERIES 160I MIDGE & STING, 160IS MIDGE	1995 - 99	FR
		323 SERIES 2.0 EGI & SLI	1988 - 91	FR
		323 SERIES 200I 16V, 200E	1991 - 95	FR
		323 SERIES 200E MIDGE	1995 - 97	FR
		RUSTLER 1300	1994 - 2002	FR
		RUSTLER 1600	1994 - 2002	FR
FDB396	SUZUKI	4X4	1983 - on	FR
		SAMURAI CONVERTIBLE 4X4	1993 - on	FR
		SAMURAI WAGON 4X4	1993 - on	FR
		SJ SERIES SJ 410	1983 - 89	FR
		J SERIES SJ 413	1988 - 89	FR
FDB40	MAZDA	RX SERIES RX7	1981 - 84	FR
		B SERIES ALL MODELS	1981 - 82	FR
	PEUGEOT	308 1.6	2008 - on	FR
FDB4003	PEUGEOT	308 HDI	2008 - on	FR
		308 CC	2008 - on	FR
FDB4014	KIA	CERATO 1.6	10/04 - on	FR
		CERATO 2.0CRDI	10/04 - on	FR
FDB4023	MITSUBISHI	TRITON 2.4 MPI	2007 - on	FR
		TRITON 2.5 DI-DC 4X4	2007 - on	FR
		TRITON 3.2 DI-D	2007 - on	FR
		TRITON 3.5 V6	2007 - on	FR
FDB4042	TOYOTA	YARIS 1.0, 1.3 VVTi D-4D	2006 - on	FR
FDB4044	AUDI	4.2 FSI QUATTRO 4.2 FSI QUATTRO		

BUYERS GUIDE FRONT DISC PADS

PART No.	MAKE	MODEL	YEAR	FR		
FDB4045	AUDI	A5 A5 COUPE 2.0T FSI	2009- on	FR		
		A5 A5 COUPE 3.2 FSI	2008- on	FR		
		A5 COUPE 3.0 TDI	2009-on	FR		
		A5 CABRIO 2.0T FSI	2009- on	FR		
		A5 CABRIO 3.2 FSI	2008- on	FR		
		A5 CABRIO 3.0 TDI	2009-on	FR		
FDB4046	TOYOTA	AURIS 1.4 RT, RS	2007 - on	FR		
		AURIS 1.6 RT, RS, RS M-MT	2007 - on	FR		
		AURIS 1.8 RS, RX	2007 - on	FR		
		COROLLA 140I	2006 -on	FR		
		COROLLA 160 I	2006 - on	FR		
		COROLLA 180I	2006 -on	FR		
FDB4047	TOYOTA	AURIS 2.0 RS, RX D-4D	2007 - on	FR		
		COROLLA 2.0 D-4D	2006 -on	FR		
FDB4049	TOYOTA	AVANZA 1.3 S, SX	2006 - on	FR		
		AVANZA 1.5 SX, TX	2006 - on	FR		
FDB4051	NISSAN	QASHQAI 1.5 ALL MODELS	02/07 -on	FR		
		QASHQAI 1.6 ALL MOELS	02/07 -on	FR		
		QASHQAI 2.0 ALL	02/07 -on	FR		
		X-TRAIL 2.0 ALL MODELS	2007 - on	FR		
		X-TRAIL 2,5 ALLMODESL	2007- on	FR		
FDB4052	BMW	X-5 SERIES (E70) X5 XDRIVE30i	2007- on	FR		
		X-5 SERIES (E70) X5 XDRIVE 35i	2007- on	FR		
FDB4057	VW	TIGUAN TIGAN 1.4 ALL MODELS	09/07 - on	FR		
		TIGUAN TIGAN 2.0 ALL MODELS	09/07 - on	FR		
FDB406	RENAULT	R25 2.5	1985 - on	FR		
		LAGUNA ALL MODELS	08/97 - 04/99	FR		
			96 - 08/97	FR		
		MEGANE 2.0 16V CABRIOLET	1996 - 03/99	FR		
		MEGANE 2.0 16V COUPE	1996 - 03/99	FR		
		MEGANE SCENIC 1.4, 1.6	09/98 - 07/99	FR		
		MEGANE SCENIC 1.6 16V, 2.0	09/98 - 07/99	FR		
		MEGANE SCENIC 1.6 16V, 2.0 (WITH REAR DISCS)	09/98 - 07/99	FR		
		SAFRANE 2.5 AUTO	96 - 03/99	FR		
		FDB4060	SUZUKI	VITARA GRAND 1.6 , 2.0	10/05 -on	FR
		FDB407	DAIHATSU	CHARADE - LOCAL CHARADE - LOCAL	1983 - 85	FR
FDB4072	TATA	INDIGO 1.4 (ALL MODELS)	2004 - 2006	FR		
FDB4073	GWM	STEED	2007- on	FR		
		HOVER	2008 - on	FR		
FDB4074	DODGE	NITRO 2.8I CRD SXT (ALL MODELS)	2007 - on	FR		
		NITRO 3.7I R/T, SXT	2007 - on	FR		
FDB4078	CHRYSLER	300C 3.5	2005 - on	FR		
FDB4079	BMW	X5XDRIVE35i X5 XDRIVE 48i	2007- on	FR		
		X-6 SERIES X6 Xdrive 35D	2008- on	FR		
		X-6 SERIES X6 Xdrive 50i	2008- on	FR		
FDB410	LANCIA	THEMA ALL MODELS EXCEPT 3.0I V8 32V	1985 - 11/88	FR		
FDB4110	MAZDA 2	1.3 ACTIVE & DYNAMIC	2007 - on	FR		
		1.5 ACTIVE & DYNAMIC	2007 - on	FR		
FDB4111	HYUNDAI	SANTE FE CRDI	2005 - on	FR		
FDB4112	SUZUKI	SX4	2006 -	FR		
FDB413	AUDI	QUATTRO	1985 - 87	FR		
		VW	1.6 ALL MODELS 2.0 16V	1990 - 92	FR	
			JETTA 2 2.0 16V	1990 - 92	FR	
			PASSAT CLI	1984 - 88	FR	
FDB4148	NISSAN	TIIDA 1.6 1.8,1.5cdi	2007 - on	FR		

BUYERS GUIDE FRONT DISC PADS

PART No.	MAKE	MODEL	YEAR	FR
FDB415	BMW	3 SERIES 325IS (E30)	1987 - 92	FR
		3 SERIES 333I (E30)	1985 - 87	FR
	MERCEDES BENZ	190 E 2.3 16V (W201 SERIES)	1985 - 94	FR
		200; 200E; 230E; 260E (W124 SERIES)	1986 - 93	FR
		230E; 260E - IMPORTED	1990 - 94	FR
		230E; 260E - IMPORTED - ALTERNATE	1990 - 94	FR
		300CE - IMPORTED	1990 - 93	FR
		300CE - IMPORTED - ALTERNATE	1990 - 93	FR
		300D, 300E, 300TE ESTATE (W124 SERIES)	1986 - 93	FR
		E-CLASS (W124 SERIES) 200	1986 - 1990	FR
		E-CLASS (W124 SERIES) 200E	1990 - 1992	FR
		E-CLASS (W124 SERIES) 200E, 220E	1992 - 1995	FR
		E-CLASS (W124 SERIES) 230E	1986 - 1992	FR
			1992 - 1993	FR
		E-CLASS (W124 SERIES) 230E (IMPORTED MODELS)	1990 - 1994	FR
		E-CLASS (W124 SERIES) 260E	1986 - 1993	FR
		E-CLASS (W124 SERIES) 260E (IMPORTED MODELS)	1990 - 1994	FR
		E-CLASS (W124 SERIES) 280E	1993 - 1996	FR
		E-CLASS (W124 SERIES) 300CE (IMPORTED MODELS)	1990 - 1993	FR
		E-CLASS (W124 SERIES) 300CE (IMPORTED) - ALT	1990 - 1993	FR
E-CLASS (W124 SERIES) 300D	1986 - 1989	FR		
E-CLASS (W124 SERIES) 300E	1987 - 1993	FR		
E-CLASS (W124 SERIES) 320E	1993 - 1995	FR		
E-CLASS (W124 SERIES) E200; E220; E280 (W124 SERIES)	1993 - on	FR		
E-CLASS (W124 SERIES) E320 (W124 SERIES)	1993 - 96	FR		
FDB4165	8 4.2	V8 QUATTRO	2007 - on	FR
FDB4171	MAZDA 3	2.3 SPORT	2007 - on	FR
FDB4179	FORD	FIESTA VI 1.4 AMBIENTE & TREND	2008 - on	FR
		FIESTA VI 1.6 AMBIENTE	2008 - on	FR
		FIESTA VI 1.6 TDCI AMBIENTE	2008 - on	FR
FDB418	ISUZU	RELAY ALL MODELS	1989 - 95	FR
		WFR SERIES MINI-BUS & PANEL VAN (ALL MODELS)	1983 - 1989	FR
		WFR SERIES MINI-BUS & PANEL VAN	1989 - 1995	FR
FDB4187	SUBRA	TRIBECA 3.0 4X4	2006 - on	FR
FDB419	VW	CITIGOLF 1.3 (ALL MODELS)	1984 - on	FR
		CITIGOLF 1.3 SHUTTLE	1992 - 97	FR
		CITIGOLF 1.3 CHICO	1996 - 2003	FR
		CITIGOLF 1.3 SONIC	1998 - 01	FR
		CITIGOLF 1.4I CHICO	1999 - on	FR
		CITIGOLF 1.4I CITI.COM	2001 - on	FR
		CITIGOLF 1.4 CHICO	2002 - on	FR
		CITIGOLF 1.6 (ALL MODELS)	1984 - on	FR
		CITIGOLF 1.6 BLUES, CHICO, DECO	1996 - on	FR
		CITIGOLF 1.6 SONIC	1998 - on	FR
		CITIGOLF 1.6I LIFE, VELOCITI	1999 - on	FR
		FOX FOX - ALL MODELS	1988 - 95	FR
		GOLF 2 ALL MODELS EXCEPT 1.8 GTI & 2.0 16V	1984 - 92	FR
		1.6 ALL MODELS 1.6 ALL MODELS		FR
		GOLF 3 GS, GSX, GTS (SOLID DISC)	1992 - 03/96	FR
		JETTA 2 ALL MODELS EXCEPT 1.8 CLI, CSI & 16V	1984 - 92	FR
		JETTA 3 CLX, CSL, CSX (WITH SOLID DISC)	1992 - 03/96	FR
		PASSAT ALL MODELS EXCEPT CLI	1984 - 88	FR
		GOLF P/UP GOLF PICK UP (ALL MODELS)	1985 - 2005	FR
		GOLF P/UP GOLF CADDY (ALL MODELS) - WITH SOLID DISC	1992 - 2005	FR
FDB4191	BMW	3 SERIES 335I (E92) COUP	2006 - on	FR

BUYERS GUIDE FRONT DISC PADS

PART No.	MAKE	MODEL	YEAR	FR
		3 SERIES 335i (E93) CONV	2006 - on	FR
FDB4192	VW	PASSAT CC	03/05- on	FR
FDB4194	KIA	CARENS III(ALL MODELS)	2006-on	FR
FDB42	PEUGEOT	504-505 504GL	1971 - 74	FR
			1974 - 78	FR
		504-505 504, 1800L	1976 - 77	FR
		504-505 504 1800L DIESEL	1978 - 79	FR
		504-505 504 1800L; 2000 S/WAGON	1976 - 79	FR
FDB4216	TOYOTA	LEXUS GS 300 (ALL MODELS)	2006 - on	FR
FDB4218	BMW	1 SERIES COUPE & CONVERTIB 135 i	2008 -on	FR
FDB4224	PEUGEOT	3008 ALL MODELS	2009 -on	FR
FDB4228	HONDA	CR-V, CRX, HR-V CRVIII	2007 - on	FR
FDB4229	TOYOTA	LANDCRUISER PICK UP 4.5D	2008 - on	FR
		LANDCRUISER PICK UP 4.7 V8	2008 - on	FR
FDB4234	HYUNDAI	1.4 1.4		FR
		1.6 1.6		FR
FDB4238	VOLVO	S60 XC60	05/2008- on	FR
FDB4246	HYUNDAI	SONATA 2.4 (ALL MODELS)	2005 - on	FR
FDB4262	CHEVROLET	CRUZE 1.6	2009 - on	FR
		CRUZE 1.8	2009 - on	FR
FDB4264	CHEVROLET	CRUZE 2.0	2009 - on	FR
FDB4279	DAIHATSU	MATERIA 1.5 (ALL MODELS)	2007 - on	FR
FDB4284	NISSAN	200 - 370 SERIES 370Z	01/09 - on	FR
FDB4285	BMW	G.T. (GRAND TOURISMO) 7 SERIES	2010-	FR
FDB4287	BMW	G.T. (GRAND TOURISMO) 7 SERIES	2010-	FR
FDB4291	PROTON	GEN. 2 1.6 (ALL MODELS)	2007 - on	FR
FDB4310	TOYOTA	PRIUS 1.8	2009 -on	FR
FDB435	HYUNDAI	ACCENT 1.3 XS	1996 - 00	FR
		ACCENT 1.5 CS & RS	1994 - 00	FR
		ACCENT 1.5 CSI & RSI	1997 - 00	FR
		ACCENT ALL MODELS	2000 - 2005	FR
		GETZ 1.3 & 1.6	2003 - on	FR
		GETZ 1.4 (ALL MODELS)	2006 - on	FR
		GETZ 1.5 CRDI	04/04 - on	FR
FDB451	FERRARI	F355 BERLINETTA, GTS, SPIDER	1995 - on	FR
	PORSCHE	911 SERIES 3.3 SPORT TURBO	09/77 - 06/89	FR
		911 SERIES 3.6 CARRERA 2, 4	09/89 - 09/93	FR
		944 SERIES 2.5 TURBO	09/85 - 08/88	FR
		944 SERIES 2.7 S2	1988 - 08/90	FR
		944 SERIES 3.0 S2 16V	01/89 - 05/92	FR
		964 SERIES 964/2 (911 CARRERA 2)	1988 - on	FR
		964 SERIES 964/4 (911 CARRERA 4)	1988 - on	FR
		968 SERIES 3.0 16V (NOT CLUB SPORT)	1993 - 95	FR
FDB458	PORSCHE	911 SERIES 2.7	1972 - 77	FR
		911 SERIES 3.0 CARRERA	1972 - 77	FR
		911 SERIES 3.0 SC, SPORT	09/77 - 07/83	FR
		911 SERIES 3.0 TURBO	1974 - 77	FR
		911 SERIES 3.2 CARRERA	09/83 - 06/89	FR
FDB46	PEUGEOT	404; 404GL	1965 - 73	FR
FDB468	JAGUAR	XJ6 SERIES XJ6 SOVEREIGN	10/86 - 11/87	FR
FDB473	NISSAN	1400 P/ UP	1986 - 87	FR
FDB474	ISUZU	KB SERIES ALL MODELS	1983 - 1989	FR
FDB476	TOYOTA	CELICA SUPRA	07/86 - 08/93	FR
FDB486	FORD	COURIER BAKKIE 1800 (ALL MODELS)	1997 - 00	FR
		COURIER BAKKIE 2200 (ALL MODELS)	1997 - 00	FR

BUYERS GUIDE FRONT DISC PADS

PART No.	MAKE	MODEL	YEAR	FR
		COURIER BAKKIE 2500 4X2 (ALL MODELS)	1997 - 00	FR
		COURIER BAKKIE 3000 V6 4X2	1997 - 98	FR
		COURIER BAKKIE 3400 4X2	1997 - 00	FR
		RANGER BAKKIE ALL MODELS	00 - 09/03	FR
		RANGER BAKKIE ALL MODELS - ALTERNATE	00 - -09/03	FR
		RANGER BAKKIE 1800 & 2200	09/03 - on	FR
		RANGER BAKKIE 2500D & 2500TD (Single Piston Caliper)	09/03 - on	FR
		RANGER BAKKIE 2500TD 4X4 (Single Piston Caliper)	09/03 - on	FR
		RANGER BAKKIE 4000 4X2 (Single Piston Caliper)	09/03 - on	FR
		RANGER BAKKIE 4000 4X4 (Single Piston Caliper)	09/03 - on	FR
	ISUZU	KB SERIES ALL MODELS	1994 - on	FR
		KB SERIES KB200 (ALL MODELS)	1994 - 2004	FR
		KB SERIES KB220 (ALL MODELS)	1994 - 2004	FR
		KB SERIES KB250D (ALL MODELS)	1997 - 2004	FR
		KB SERIES KB260 (ALL MODELS)	1997 - 2004	FR
		KB SERIES KB280DT 4X2, 4X4 (ALL MODELS)	1997 - 2004	FR
		KB SERIES KB300TDI (ALL MODELS)	2002 - 2004	FR
		KB SERIES KB320LX (ALL MODELS)	1998 - 2004	FR
	MAZDA	B SERIES B1800 (ALL MODELS)	1997 - 00	FR
		B SERIES B2200	1997 - 00	FR
		B SERIES B2500, B2500 TD 4X2	1997 - 00	FR
		B SERIES B3400 4X2	1997 - 00	FR
		DRIFTER SERIES (ALL MODELS)	03/00 - on	FR
	MITSUBISHI	COLT PICK UP 2000I & 2.0I (ALL MODELS)	09/98 - on	FR
		COLT PICK UP 2400I LWB 4X4	1998 - on	FR
		COLT PICK UP 2400I LWB, HI-LINE	1998 - on	FR
		COLT PICK UP 3000I 4X4 D/CAB RODEO	09/98 - on	FR
		COLT PICK UP 2500D LWB, HI-LINE	1998 - 1999	FR
		COLT PICK UP 2.8 D & 2.8 TDI 4X2 (ALL MODELS)	06/99 - on	FR
	NISSAN	SKYLINE 2.0 GL, GLE	1987 - 89	FR
		SKYLINE 2.0 SGLI	1989 - 92	FR
		SKYLINE 3.0 SGLI	1989 - 92	FR
		1 TONNER & 1 TONNER HARDBOD 2.7D	03/02 - on	FR
		1 TONNER & 1 TONNER HARDBOD 2.7TD	2002 - on	FR
		1 TONNER & 1 TONNER HARDBOD NP200 HARD BODY (ALL MODELS)	2008- on	FR
	OPEL	REKORD 200I	1991 - 95	FR
		REKORD 380I; GSI V6 & 380ICD V6	1991 - 95	FR
FDB517	VW	CARAVELLE 1.9	1990 - 93	FR
		CARAVELLE 2.1I	1990 - 93	FR
		CARAVELLE 2.5I	1991 - 94	FR
		KOMBI 1.8 BUS & PANEL VAN	1989 - 1993	FR
		MICROBUS 2.1I SYNCHRO	1989 - 93	FR
		MICROBUS 2.5I	1991 - 95	FR
FDB520	LAND ROVER	90 SERIES ALL MODELS	1986 - 90	FR
		90 SERIES DEFENDER - ALL MODELS	1990 - 1992	FR
			1993 - on	FR
		DISCOVERY I ALL MODELS - VENTILATED DISC	1989 - on	FR
		DISCOVERY I 2.5 TDI, 3.9 V8 (ALL MODELS)	1995 - 02/99	FR
	RANGE ROVER I	VOGUE - VENT DISC	1989 - on	FR
FDB522	NISSAN	200 - 370 SERIES 300ZX	09/87 - 03/90	FR
FDB525	HEALEY	3000 & MK 3	1965-68	FR
FDB530	HONDA	BALLADE 160I (ALTERNATE)	1987 - 89	FR
FDB54	TOYOTA	CORONA 1700 - ALTERNATE	1971 - 74	FR
FDB540	PEUGEOT	405 GR 1.8 ESTATE, SRTD 1.9 ESTATE - ALTERNATE	1996 - 97	FR

BUYERS GUIDE FRONT DISC PADS

PART No.	MAKE	MODEL	YEAR	FR
FDB542	ALFA LANCIA	164 3.0 V6 SUPER & Q4 THEMA 3.0I V8 32V	1993 - 99 1987 - 12/88	FR FR
FDB554	TOYOTA	DYNA 4-093 HI-ACE 2000 (IMPORTED MODELS ONLY)	2001 - on 1990 - on	FR FR
FDB556	MITSUBISHI	PAJERO 2.6 4X4 PAJERO 2.6 4X4 (ALTERNATE) COLT PICK UP 1600 (ALL MODELS) COLT PICK UP 2000 (ALL MODELS) COLT PICK UP 2500 (ALL MODELS) COLT PICK UP 2600 LWB, HI-LINE COLT PICK UP 3000 (ALL MODELS) COLT PICK UP 2500D LWB COLT PICK UP 2500TD 4X4	1989 - 91 1989 - 91 1995 - 97 1995 - 98 1995 - 09/98 1995 - 1998 1995 - 97 1995 - 1998 1997 - 1998	FR FR FR FR FR FR FR FR FR
FDB560	PORSCHE	911 SERIES 3.3 TURBO 911 SERIES 3.6 CARRERA RS 911 SERIES 3.6 NEW CARRERA TURBO 911 SERIES 3.8 CARRERA 928 SERIES 4.7 S SERIES 2 16V 928 SERIES 5.0 S SERIES 4, GT 32V 944 SERIES 2.5 TURBO 959 SERIES 2.9 964 SERIES 964 TURBO 968 SERIES 3.0 16V CLUB SPORT 993 SERIES CARRERA	01/90 - 06/91 09/91 - 06/93 12/93 - 97 06/95 - on 09/83 - 07/86 09/86 - 05/92 09/88 - 05/92 1985 - 91 1990 - 06/91 1993 - 95 1994 - 97	FR FR FR FR FR FR FR FR FR FR FR
FDB563	AUDI	500 TURBO 500 TURBO (Girling System) QUATTRO QUATTRO COUPE 2.8E QUATTRO S2 20V 2.2	1989 - on 1991 - on 1987 - 90 1995 - on 1991 - on	FR FR FR FR FR
FDB565	LANCIA	DELTA HF INTEGRALE 2.0 16V - ALTERNATE	1987 - on	FR
FDB576	MAZDA	626 SERIES 1.8 8V & 12V (EUROPEAN MODEL) 626 SERIES 2.2 12V (EUROPEAN MODEL)	1987 - 92 1989 - 92	FR FR
FDB577	AUDI DAIMLER JAGUAR	500 TURBO - ALTERNATE SOVEREIGN 4.0 SOVEREIGN 4.0 XK8 XJ6 SERIES XJ6 4.0 L XJ6 SERIES SOVEREIGN 4.0 XJS SERIES XJS 4.0 COUPÉ XJS SERIES XJS V12 CONVERTIBLE XJS SERIES XJS V12 COUPÉ XK8 - ALL MODELS XK8 - ALL MODELS XK8 4.2 COUPE & CONVERTIBLE XKR 4.2 CONVERTIBLE	1990 - on 1990 - on 1996 - on 1990 - 98 1990 - 98 1990 - on 1990 - on 1990 - on 1990 - on 1997 - on 07/03 - on 07/03 - on	FR FR FR FR FR FR FR FR FR FR FR FR
FDB578	CHEVEROLET	CAMARO	1997-	FR
FDB579	FORD	SAPPHIRE 3.0 GLX SAPPHIRE 3.0 LX SAPPHIRE 3.0L GHIA, 3.0I RS SIERRA 3 SIERRA XR6	1989 - 93 1989 - 93 1991 - 93 1989 - 93 1987 - 89 6/1989 - 93	FR FR FR FR FR FR
FDB579/1	TOYOTA	HI-ACE 2200 PANEL VAN & BUS (ALL MODELS) HILUX 1800 S, SR HILUX 1800 4X2 HILUX 2000 4X2 (ALL MODELS) HILUX 2200, 2200 SRX	03/93 - on 05/94 - on 1998 - on 1998 - on 05/94 - on	FR FR FR FR FR

BUYERS GUIDE FRONT DISC PADS

PART No.	MAKE	MODEL	YEAR	FR
		HILUX 2400 DIESEL	08/93 - on	FR
		HILUX 2400 DIESEL 4X4	08/93 - on	FR
		HILUX 2400 DIESEL 4X2	1998 - on	FR
		HILUX 2400 S PETROL	1994 - on	FR
		HILUX 2800 (ALL MODELS)	1995 - 99	FR
	VW	CARAVELLE 2.5I	04/94 - 96	FR
		CARAVELLE 2.6I	1995 - 02	FR
		MICROBUS 1.8	1995 - on	FR
		MICROBUS 2.3I	1995 - on	FR
		MICROBUS 2.6I	1994 - on	FR
FDB580	FORD	COURIER BAKKIE 1600, 2000 LWB	1986 - 91	FR
		COURIER BAKKIE 1800 (ALL MODELS)	1991 - 96	FR
		COURIER BAKKIE 2200 (ALL MODELS)	1986 - 96	FR
		COURIER BAKKIE 3000 V6 4X2	1990 - 96	FR
	MAZDA	B SERIES B1600	1986 - 91	FR
		B SERIES B1800 (ALL MODELS)	1986 - 96	FR
		B SERIES B2000 (ALL MODELS)	1986 - 92	FR
		B SERIES B2200	1986 - 96	FR
		B SERIES B3000 V6 MAGNUM	1986 - 92	FR
FDB584	OPEL	ASTRA 160IE; 180I; 200I; 200IE	1993 - 1993	FR
		CALIBRA 200I	1992 - 97	FR
		KADETT 2.0 GSI 16V	1990 - 93	FR
		KADETT 200I CD 16V	1991 - 93	FR
		KADETT 200IS	1993 - 1993	FR
		MONZA 160 GSI	1990 - 1993	FR
		MONZA 2.0 CLI, GLI	1990 - 1993	FR
		MONZA 2.0 CD, CLI 16V	1990 - 1993	FR
FDB585	HONDA	PRELUDE	1988 - 90	FR
FDB588	TATA	INDICA 1.4 (ALL MODELS)	2004 - 2006	FR
FDB589	FORD	FIESTA 1.3I (ALL MODELS)	1997 - 1999	FR
		FIESTA 1.4I (ALL MODELS)	1998 - 1999	FR
	MAZDA	SOHO 1.3I	1997 - 98	FR
		SOHO 1.4I	1998 - 99	FR
FDB590	AUDI	500 AVANT 2.6 V6	1994 - on	FR
		500 E, SE, SEL	1992 - 95	FR
		QUATTRO TURBO S6	1993 - on	FR
		A6 I 2.2T	1995 - on	FR
		A6 I 2.6 AVANT	95 - 98	FR
		A6 I 2.6E, 2.8E	1995 - 97	FR
FDB595	LANCIA	THEMA 2.0IE 16V TURBO, 2.8 V6	12/88 - 12/91	FR
		THEMA 2.0IE 16V TURBO, 2.8 V6 (ALTERNATE)	12/88 - 12/91	FR
FDB597	KIA	PRIDE LX 1.323I PRIDE LX 1.323I	1998 - on	FR
FDB598	HONDA	BALLADE 160I, 160I TWIN CAM	1989 - 92	FR
		CR-V, CRX, HR-V CRXI 16V	1991 - on	FR
		PRELUDE PRELUDE 2.0I 16V	1990 - 91	FR
FDB600	HYUNDAI	ELANTRA 1.6 GLS	1993 - 95	FR
		ELANTRA 1.6 GLS - LIMITED EDITION WITH ABS	1995 - on	FR
		ELANTRA 1.6 GL, GLI, GLS & S/ WAGON	1996 - on	FR
		ELANTRA 1.8 GL, GLI	1994 - on	FR
		ELANTRA 1.8 GLS & S/ WAGON	1996 - 00	FR
		ELANTRA 2.0 GLS & S/ WAGON	1996 - on	FR
		SONATA 2.0 GL	1994 - 99	FR
		SONATA 2.0 GLS	1994 - 99	FR
		SONATA 2	06/03 - on	FR
		SONATA ALLEGRO 2.0	1998 - on	FR

BUYERS GUIDE FRONT DISC PADS

PART No.	MAKE	MODEL	YEAR	FR
		SONATA VIVANTE 2.5	1998 - on	FR
		SONATA 2.7 V6	06/03 - on	FR
		SONATA 3.0 GLS V6	1994 - 96	FR
		TIBURON ALL MODELS	1996 - 2003	FR
	SSANGYONG	KORANDO ALL MODELS (FACE - LIFT)	2000 - on	FR
		MUSSO ALL MODELS (FACE - LIFT)	2000 - on	FR
		MUSSO SPORTS 2.9 (ALL MODELS)	2004 - on	FR
		REXTON 270 XDI	2004 - 2006	FR
		REXTON E230EL	2002 - on	FR
		REXTON E320EL	2002 - on	FR
		REXTON TD290	2002 - on	FR
FDB603	MG	TF 155	2002 - on	FR
FDB604	NISSAN	PRIMERA 160 SI	1998 - 00	FR
		PRIMERA 200 SI	1998 - 00	FR
FDB613	MG	ZR 120	10/03 - on	FR
		ZR 2.0TD	10/03 - on	FR
		1.8L WC	2001 - on	FR
	ROVER	STREETWISE 1.4	2001 - on	FR
		STREETWISE 2.0 TD	2001 - on	FR
FDB617	FORD	ESCORT 1400I, 1600I GL, GLE, SPORT, 1800I	10/95 - 2/96	FR
FDB62	VOVLO	144 - 164 144 & 164 - TEVES SYSTEM	1972 - 76	FR
FDB622	SAAB	9000 ALL MODELS - ALTERNATE	1995 - 00	FR
FDB629	MERCEDES BENZ	280SL; SLC (R107 SERIES) - IMPORTED	1986 - 89	FR
		300SL (R107 SERIES) - IMP	1986 - 89	FR
		300SL (R107 SERIES) - IMP	1986 - 89	FR
		450SL; SLC (R107 SERIES) - IMPORTED	1986 - 89	FR
		500SL; SLC (R107 SERIES) - IMPORTED	1986 - 89	FR
FDB633	FORD	COURIER BAKKIE 3000 V6 4X4	1990 - 98	FR
	MAZDA	B SERIES B2200 DRIFTER	1991 - 96	FR
		B SERIES B2600 4X4 PETROL	1988 - 96	
		B SERIES B3000 DRIFTER & DOUBLE CAB 4X4	1993 - 98	FR
FDB643	NISSAN	SAFARI 4X4	1982 - 90	FR
FDB646	MERCEDES BENZ	300SL; 300SL-24V (R129 SERIES) - IMPORTED	1989 - 93	FR
		500SL (R129 SERIES) - IMP	1989 - 93	FR
		E-CLASS (W210 SERIES) E430, E430TE	1998 - 07/99	FR
		E-CLASS (W210 SERIES) E430, E430TE (ALTERNATE)	1998 - 07/99	FR
		SL-CLASS (R129 SERIES) SL300	1993 - on	FR
		SL-CLASS (R129 SERIES) SL500	1993 - on	FR
FDB647	ALFA	33 1.7I BOXER & SPORTWAGON	1993 - on	FR
FDB649	TOYOTA	MR2 2.0 (ALTERNATE)	12/91 - 05/00	FR
FDB650	LANCIA	DELTA HF INTEGRALE 2.0 16V	1987 - on	FR
		THEMA 2.0IE 16V TURBO 2.8 V6 (ALTERNATE)	01/92 - on	FR
		THEMA 2.0IE 16V TURBO, 2.8 V6	01/92 - on	FR
		THEMA 3.0I V8 32V	01/89 - on	FR
FDB651	ALFA	164 2.0 TWIN SPARK	1993 - on	FR
FDB652	NISSAN	1 TONNER & 1 TONNER HARDBOD 2.0 4X2 (ALL MODELS)	05/99 - 02/02	FR
		1 TONNER & 1 TONNER HARDBOD 2.4I 4X2, 4X4 (ALL MODELS)	05/99 - 02/02	FR
		1 TONNER & 1 TONNER HARDBOD 2.4I ALL MODELS	03/02 - on	FR
		1 TONNER & 1 TONNER HARDBOD 2.7D 4X2	05/99 - 02/02	FR
		1 TONNER & 1 TONNER HARDBOD 2400	1990 - 99	FR
		4X2 HI-RIDER & HI-RIDER SANI		
		1 TONNER & 1 TONNER HARDBOD 2400 4X4	1990 - 99	FR
		(ALL MODELS INCLUDING SANI)		
		1 TONNER & 1 TONNER HARDBOD 2500 4X2 HI-RIDER	1990 - 97	FR
		1 TONNER & 1 TONNER HARDBOD 2700 4X2 HI-RIDER	1995 - on	FR

BUYERS GUIDE FRONT DISC PADS

PART No.	MAKE	MODEL	YEAR	FR
		1 TONNER & 1 TONNER HARDBOD 2700 4X4 (ALL MODELS)	1990 - on	FR
		1 TONNER & 1 TONNER HARDBOD 2700TD 4X4	1995 - 1999	FR
		1 TONNER & 1 TONNER HARDBOD 3.0i 4X2, 4X4 (ALL MODELS)	05/99 - on	FR
		1 TONNER & 1 TONNER HARDBOD 3.2D 4X2, 4X4 (ALL MODELS)	05/99 - on	FR
		1 TONNER & 1 TONNER HARDBOD 3.3 4X2, 4X4 (ALL MODELS)	03/02 - on	FR
		1 TONNER & 1 TONNER HARDBOD 3000 4X2 & 4X4 (ALL MODELS)	1990 - 99	FR
		1 TONNER & 1 TONNER HARDBOD NP300 HARD BODY (ALL MODELS)	2008 - on	FR
		PATROL 3.0 V6 4X4	1990 - on	FR
		SANI 2400	1992 - on	FR
		SANI 2700 DT	1992 - on	FR
		SANI 3000	1992 - on	FR
	SUBRA	SVX 3.3 4WD COUPE	1996 - 98	FR
FDB653	MAZDA	MX SERIES MX-5 1.6	1990 - 93	FR
FDB669	MERCEDES BENZ	90E 1.8; 2.0; 2.3 (W201SERIES)	1987 - 94	FR
FDB670	SAAB	9000 ALL MODELS	1995 - 00	FR
FDB678	ISUZU	TROOPER TROOPER 3.2 V6	1988 - 1991	FR
		KB SERIES ALL MODELS	1989 - 93	FR
		KB SERIES KB160 (ALL MODELS)	1989 - 1995	FR
		KB SERIES KB230 (ALL MODELS)	1989 - 1995	FR
		KB SERIES KB250D (ALL MODELS)	1989 - 1996	FR
		KB SERIES KB260 (ALL MODELS)	1992 - 1996	FR
		KB SERIES KB280DT 4X4 & LE 4X4 (ALL MODELS)	1993 - 1996	FR
		KB SERIES KB280DT LE 4X2 (ALL MODELS)	1993 - 1996	FR
FDB68	FORD	FAIRLANE 500	1965 - 72	FR
FDB681	VOLVO	850 GLT SEDAN	1994 - on	FR
		850 GLT SPORTWAGON	1994 - on	FR
		850 GLT TURBO	1994 - on	FR
		C70/S70/V70 C70 COUPE	1997 - on	FR
		C70/S70/V70 S70 SEDAN, V70 ESTATE (ALL MODELS)	1997 - on	FR
FDB686	OPEL	OMEGA 2.2	2001 - on	FR
		OMEGA 2.6	2001 - on	FR
FDB69	CITROEN	GS 1000	1972 - 74	FR
FDB691	NISSAN	200 - 370 SERIES 200 SX	1991 - 94	FR
		MAXIMA 2.0 QX	1997 - 00	FR
		MAXIMA 3.0 QX	1996 - 00	FR
FDB710	ROCSTA	ALL MODELS 4X4 1.8 Hard Top(Petrol)	1995-	FR
		ALL MODELS 4X4 1.8 Soft Top(Petrol)	1995-	FR
	ISUZU	FRONTIER 280 DT	1997 - 2003	FR
		FRONTIER 320 V6	1997 - 2003	FR
	NISSAN	1 TONNER & 1 TONNER HARDBOD 1600	1988 - 99	FR
		1 TONNER & 1 TONNER HARDBOD 1800	1988 - 95	FR
		1 TONNER & 1 TONNER HARDBOD 2000 4X2 (ALL MODELS)	1995 - 02	FR
		1 TONNER & 1 TONNER HARDBOD 2400 4X2 (ALL MODELS EXCEPT HI-RIDER)	1988 - 99	FR
		1 TONNER & 1 TONNER HARDBOD 2500 DIESEL	1988 - 96	FR
		1 TONNER & 1 TONNER HARDBOD 2700 4X2 (ALL MODELS EXCEPT HI-RIDER)	1995 - 02	FR
		1 TONNER & 1 TONNER HARDBOD 2700TD 4X2	1995 - 1999	FR
FDB712	SUZUKI	VITARA 1.6	1994 - 98	FR
		VITARA 2.0 V6	1995 - 99	FR
FDB714	MAZDA	ASTINA 180 SE	1995 - 00	FR
		ETUDE ALL MODELS	1995 - 01/00	FR
FDB715	KIA	RIO 1.3, 1.5	2000 - 2002	FR
FDB716	HYUNDAI	SCOUPÉ	1993 - 95	FR
FDB72	RENAULT	R12 - ALL MODELS	1970 - 74	FR

BUYERS GUIDE FRONT DISC PADS

PART No.	MAKE	MODEL	YEAR	FR
FDB721	FIAT	COUPE 2.0 20V TURBO	1998 - on	FR
FDB725	BMW	3 SERIES 316I W/OUT ABS (E36)	1992 - 99	FR
		3 SERIES 316I WITH ABS (E36)	1992 - 99	FR
		3 SERIES 318I (E36)	10/93 - 96	FR
		3 SERIES 318IS (E36)	1996 - 99	FR
		3 SERIES 320I (E36)	1992 - 96	FR
		3 SERIES 323I (E36)	1996 - 99	FR
		3 SERIES 325I (E36)	1992 - 95	FR
		3 SERIES 325 TDS (E36)	1996 - 99	FR
		3 SERIES 328I (E36)	1996 - 99	FR
FDB727	ALFA	33 1.7I BOXER & SPORTWAGON (ALTERNATE)	1993 - on	FR
FDB732	OPEL	CORSA 1.4 IS - ALTERNATE	2003 - on	FR
		CORSA 1.4 LITE SPORT	2003 - on	FR
		CORSA 1.4I LITE (ALL MODELS)	2006 - on	FR
		CORSA CORSA UTILITY 1.4 (ALTERNATE)	2006 - on	FR
		CORSA CORSA UTILITY 1.4 SPORT (ALT.))	2006 - on	FR
		CORSA CORSA UTILITY 1.7D, DTI (ALTERNATE)	2006 - on	FR
FDB746	PEUGEOT	605 SRI 3.0 V6	1996 - 97	FR
FDB748	HONDA	PRELUDE 2.0I 16V - ALTERNATE	1990 - 91	FR
FDB749	FIAT	SEICENTO	2001 - on	FR
FDB755	NISSAN	MAXIMA 3.0E, SE	1991 - 97	FR
FDB757	FORD	SPECTRON MINI BUS & PANEL VAN	1992 - on	FR
	MAZDA	MARATHON MINI BUS & PANEL VAN	1991 - 03?	FR
FDB759	DAIHATSU	TERIOS 1.3 4X4 TERIOS 1.3 4X4	1998 - on	FR
		TERIOS 1.5 4X4 1.5 4X4	2006 - on	FR
FDB763	NISSAN	SENTRA ALL MODELS EXCEPT 200 STI	1992 - 07/97	FR
		SENTRA SABRE 160 GX, GXI	1994 - 07/97	FR
FDB765	MITSUBISHI	OUTLANDER 2.4 GLX	07/03 - on	FR
		PAJERO 2.6 4X4	04/91 - 94	FR
		PAJERO 2.8 TD	1995 - 99	FR
		PAJERO 2.8 TDI	1997 - 99	FR
		PAJERO 3.0 GLS	1994 - 97	FR
		PAJERO 3.5 GLS	1995 - 99	FR
		PAJERO 3.0 GLX	1997 - 01	FR
		SHOGUN ALL MODELS	1994 - on	FR
		COLT PICK UP 2400I & 2.4I (ALL MODELS) - WITH ABS	04/01 - on	FR
		COLT PICK UP 3000I 4X4 D/CAB RODEO - WITH ABS	04/01 - on	FR
		COLT PICK UP 2.8 D & 2.8 TDI 4X4 (ALL MODELS) - WITH ABS	04/01 - on	FR
FDB766	FORD	MONDEO 1.8I LX, TD, 2.0 CLX (ALL MODELS) - ALTERNATE	1997 - 2001	FR
FDB767	FORD	MONDEO 2.5 SI (ALL MODELS)	1998 - 01	FR
FDB768	ALFA	155 2.0 TWIN SPARK (ALTERNATE)	05/96 - 99	FR
		155 2.5 V6 EXEC	93 - 04/96	FR
FDB77	TOYOTA	CORONA 1600 - ALTERNATE	1971 - 74	FR
FDB774	VW	1.6 ALL MODELS 2.0 16V - ALTERNATIVE	1990 - 92	FR
		GOLF 3 2.0 CABRIO	1995 - 04/96	FR
		GOLF 3 GS, GSX, GTS (ALTERNATE)	03/96 - 00	FR
		GOLF 3 GTI 2.0	1992 - 00	FR
		JETTA 2 2.0 16V - ALTERNATE	1990 - 92	FR
		JETTA 3 CLI 2.0 - ALTERNATE	1992 - 99	FR
		JETTA 3 CLI 2.0	1992 - 99	FR
		JETTA 3 CLX, CSL, CSX (ALTERNATE)	03/96 - 00	FR
		POLO CLASSIC I 1.6I - ALTERNATE	1996 - 2002	FR
		POLO CLASSIC I 1.6I LUX , 1.8I LUX - ALTERNATE	1996 - 2002	FR
		POLO PLAYA 1.6I - ALTERNATE	1998 - 2002	FR
		POLO PLAYA 1.8I - ALTERNATE	1999 - 2002	FR

BUYERS GUIDE FRONT DISC PADS

PART No.	MAKE	MODEL	YEAR	FR
FDB775	AUDI	CABRIO 2.6 CABRIOLET	1995 - 00	FR
	VW	GOLF 3 1.8 CABRIO - TO CHASSIS NO 1V000000	1995 - on	FR
FDB776	HONDA	BALLADE 150I (ALL MODELS)	04/96 - 00	FR
		BALLADE 160E - WITH ABS	1992 - 94	FR
		BALLADE 160I, 160I V-TEC (ALL MODELS)	04/96 - 00	FR
		BALLADE 180E, 180I (ALL MODELS)	1994 - 00	FR
		CIVIC 150I, 160I (ALL MODELS)	1996 - 2000	FR
		CIVIC 160I V-TEC	1996 - 2000	FR
		CIVIC 170I V-TEC (ALL MODELS)	2001 - on	FR
FDB777	HONDA	BALLADE 150 (ALL MODELS)	1992 - 96	FR
		BALLADE 160I	1992 - 96	FR
		JAZZ 1.4	04/03 - on	FR
		JAZZ 1.5 VTEC	2006 - on	FR
FDB779	BMW	5 SERIES 520I (E34)	1989 - 1994	FR
		5 SERIES 525I (E34)	1989 - 1996	FR
		5 SERIES 530I (E34)	1993 - 1996	FR
		5 SERIES 535I (E34)	1989 - 1994	FR
		5 SERIES 540I (E34)	1989 - 1996	FR
		7 SERIES 730I (E32)	1987 - 1994	FR
		7 SERIES 735I (E32)	1987 - 1993	FR
		7 SERIES 740I (E32)	1992 - 1994	FR
		7 SERIES 750IL (E32)	1988 - 1992	FR
		M SERIES M3 (E36)	1993 - 98	FR
		M SERIES M3 (E46)	1998 - on	FR
		M SERIES M5 (E34)	1992 - 94	FR
		Z SERIES Z3 3.2 COUPE & ROADSTER	1999 - 00	FR
		Z SERIES Z4 3.2I (E85) ROADSTE	2006 - on	FR
		Z SERIES Z4 3.2I (E86) COUPE	2006 - on	FR
FDB788	NISSAN	SENTRA 200 GSI	08/97 - 01	FR
		SENTRA 200 STI	1992 - 02	FR
		SENTRA SABRE 200 GXI	1994 - 97	FR
		SENTRA SABRE 200 GSI	08/97 - 00	FR
FDB789	SUBARU	IMPENZA 1.8 GL S/WAGON	1995 - 99	FR
		LEGACY 2.0 LX T/WAGON	1994 - 97	FR
		LEGACY 2.2 GX SEDAN	1995 - 96	FR
		LEGACY 2.2 GX T/WAGON	1994 - 96	FR
FDB797	TOYOTA	HILUX 2700I 4X2 (ALL MODELS)	1998 - on	FR
		HILUX 2700I 4X4 (ALL MODELS)	1998 - on	FR
		HILUX 3000 DIESEL 4X2 (ALL MODELS)	1998 - on 2005	FR
		HILUX 3000 DIESEL 4X4 (ALL MODELS)	1998 - on 2005	FR
		LANDCRUISER LAND CRUISER V6 4X4	1989 - on	FR
		LANDCRUISER GX DIESEL 4.2	1993 - on	FR
		LANDCRUISER VX TDI 4.2	1997 - on	FR
		LANDCRUISER PRADO 3.0 TDI GX & VX (ALL MODELS)	1997 - 03	FR
		LANDCRUISER PRADO 3.4 GX & VX PETROL	1997 - 03	FR
		LANDCRUISER PRADO 3.4 V6	1997 - 03	FR
FDB800	MERCEDES BENZ	500SE; SEL (W140 SERIES) IMPORTED	1992 - 96	FR
		600SE; SEL (W140 SERIES) IMPORTED	1992 - 99	FR
		S-CLASS (W140 SERIES) S280	1996 - 98	FR
		S-CLASS (W140 SERIES) S320	1994 - 09/98	FR
		S-CLASS (W140 SERIES) S420	1996 - 98	FR
		S-CLASS (W140 SERIES) S500	1994 - 09/98	FR
		S-CLASS (W140 SERIES) S600	1994 - 09/98	FR
FDB806	JAGUAR	XJ6 SERIES XJ6 SOVEREIGN	11/87 - 12/89	FR
FDB809	FORD	ESCORT 1.3 GT	1968 - 70	FR

BUYERS GUIDE FRONT DISC PADS

PART No.	MAKE	MODEL	YEAR	FR
FDB811	HILLMAN	ESCORT 1.3L & SUPER	1968 - 75	FR
	TRIUMPH	AVENGER 1300	1974 - 78	FR
	TRIUMPH	SPITFIRE MK2	1965 - 68	FR
	TRIUMPH	1500	1968 - 71	FR
	VAUXHAUL	SPITFIRE MK3	1969 - 71	FR
	VAUXHAUL	VICTOR VX101	1965 - 68	FR
FDB813	VOVLO	VIVA	1967 - 68	FR
FDB813	VOVLO	144 - 164 144 & 164 - GIRLING SYSTEM	1973 - 76	FR
FDB814	ROVER	3500	1969 - 71	FR
FDB815	PEUGEOT	404; 404GL	1974 - 78	FR
FDB817	DAIMLER	DOUBLE SIX	1982 - 85	FR
FDB823	JAGAUR	EXECUTIVE SERIES ALL MODELS	1974 - 80	FR
	LAMBORGHINI	XJ6 SERIES XJ6	1983 - 86	FR
	LAMBORGHINI	SERIES XJS COUPÉ	1980 - 89	FR
	LAMBORGHINI	ESPADA	1970 - 75	FR
	MGB	MGB	1966 - 72	FR
	HILLMAN	SUPER MINX	1965 - 67	FR
FDB824	HUMBER	SCEPTRE	1965 - 68	FR
	VAUXHAUL	VELOX CRESTA 2.6	1964 - 65	FR
	VAUXHAUL	VELOX CRESTA 3.3	1966 - 68	FR
	VAUXHAUL	VICTOR VX4/90	1964 - 65	FR
	VAUXHAUL	VISCOUNT	1966 - 69	FR
	TRIUMPH	TR 7 5 SPEED	1976 - 84	FR
FDB825	MINI	COOPER "S"	1963 - on	FR
FDB826	MINI	GTS - S.A. 10" WHEELS	1970 - on	FR
	AUSTIN	AUSTIN/MORRIS 1100, 11/55	1965 - 72	FR
	WOLSELEY	WOLSELEY & APACHE 11/55	1971 - 76	FR
FDB829	RANGE ROVER I	WOLSELEY 1300 & MK 2	1968 - 80	FR
		ALL MODELS	1970 - 83	FR
			1984 - 85	FR
FDB83	AUDI	100 LS, GL, COUPÉS	1973 - 76	FR
	FORD	GRANADA 2.5 & 3.0 GHIA	1973 - 78	FR
	FORD	GRANADA 3.0 & GHIA	1978 - 85	FR
FDB836	LAND ROVER 90	SERIES ALL MODELS	1972 - 83	FR
	LAND ROVER 110	SERIES ALL MODELS	1983 - 1986	FR
FDB84	VW	CARAVELLE 2.11	1987 - 90	FR
		KOMBI ALL MODELS	1973 - 79	FR
		KOMBI ALL MODELS	1979 - 90	FR
		KOMBI TRANSPORTER PANEL VAN	1986 - 90	FR
		MICROBUS 1.9	1983 - 89	FR
		MICROBUS 2.11	1985 - 91	FR
FDB841	LAND ROVER	DISCOVERY I ALL MODELS - SOLID DISC	1989 - on	FR
	RANGE ROVER I	VOGUE - SOLID DISC	1986 - 89	FR
FDB845	RENAULT	CLIO 1.2	2001 - on	FR
		CLIO 1.2, 1.4 VAVAVOOM	2006 - on	FR
		CLIO 1.4 RT	1999 - on	FR
		CLIO 1.4 ALIZE	2001 - on	FR
		CLIO 1.5 DCI EXPRESSION	11/03 - on	FR
		CLIO 1.6	1999 - on	FR
		MEGANE 1.6 8V CABRIOLET	1996 - 99	FR
		MEGANE 1.6 RN HATCHBACK	1996 - 99	FR
		MEGANE 1.6 RT CLASSIC & HATCHBACK	1996 - 99	FR
		MEGANE 1.6E RT COUPE	1996 - 99	FR
		MEGANE 2.0 8V COUPE	1996 - 99	FR
		MEGANE 2.0 RXE CLASSIC & HATCHBACK	1996 - 99	FR

BUYERS GUIDE FRONT DISC PADS

PART No.	MAKE	MODEL	YEAR	FR	
FDB85	MITSUBISHI	MEGANE SCENIC 1.4, 1.6	08/04 - on	FR	
		1600 GS	1973 - 78	FR	
		GALANT - IMPORTED CALIPER	1977 - 84	FR	
FDB854	MERCEDES BENZ	C-CLASS (W202 SERIES) C180 CLASSIC	06/96 - 00	FR	
			1994 - 05/96	FR	
		C-CLASS (W202 SERIES) C200 CLASSIC & ELEGANCE	1996 - 00	FR	
		C-CLASS (W202 SERIES) C220 CLASSIC & ELEGANCE	06/96 - 97	FR	
			1994 - 05/96	FR	
		C-CLASS (W202 SERIES) C230 ELEGANCE	1996 - 99	FR	
		C-CLASS (W202 SERIES) C250 D CLASSIC & ELEGANCE	06/96 - 97	FR	
FDB855	AUDI	500 QUATTRO S4 2.2	1992-	FR	
		QUATTRO TURBO S6 (ALTERNATE)	1993 - on	FR	
FDB856	BMW	8 SERIES 850I V12	1993 - 94	FR	
	MASERATI	BI-TURBO	1994 - on	FR	
FDB86	NISSAN	200 - 370 SERIES 240C	1995-98	FR	
FDB867	TOYOTA	CAMRY 200I; SI; 220SI; SEI	1992 - 97	FR	
			1998 - 01	FR	
		RAV 4 ALL MODELS	1995 - 10/00	FR	
FDB868	TOYOTA	CAMRY 300 SEI	1992 - 97	FR	
		LEXUS LS 400	90 - 92	FR	
		COROLLA PANEL VAN	1980 - 84	FR	
FDB87	TOYOTA	COROLLA PANEL VAN	1980 - 84	FR	
FDB870	FORD	TELSTAR ALL MODELS	1993 - 98	FR	
		TELSTAR TX-5	1993 - 98	FR	
	MAZDA	626 SERIES ALL MODELS	1993 - 96	FR	
		626 SERIES 2.0 S/WAGON	1998 - 2002	FR	
		626 SERIES 2.0 SEDAN	1998 - 2003	FR	
			MX SERIES MX-6	1993 - 98	FR
	FDB871	LAND ROVER 90	SERIES DEFENDER 2.5 TD5	1999 - on	FR
SERIES DEFENDER 2.5 TD5 - ALTERNATE			1999 - on	FR	
SERIES DEFENDER 2.5 TDI, 2.8I (ALL MODELS)			1996 - on	FR	
SERIES DEFENDER 2.5 TDI, 2.8I (ALL MODELS) - ALTERNATE			1996 - on	FR	
LAND ROVER 110		SERIES ALL MODELS	1986 - 1992	FR	
		SERIES DEFENDER - ALL MODELS	1993 - on	FR	
		SERIES DEFENDER - ALL MODELS - ALTERNATE	1993 - on	FR	
LAND ROVER 130		SERIES DEFENDER (ALL MODELS)	1996 - on	FR	
		SERIES DEFENDER (ALL MODELS) - ALTERNATE	1996 - on	FR	
FDB876		PEUGEOT	306 1.8 CABRIOLET (ALTERNATE)	1996 - 03/97	FR
FDB880	RENAULT	ESPACE 2	1991 - 96	FR	
FDB884	FORD	MONDEO 1.8I LX, TD, 2.0 CLX (ALL MODELS)	1997 - 2001	FR	
		MONDEO 2.5 SI (ALL MODELS) - ALTERNATE	1998 - 01	FR	
FDB885	APACHE	1100 & 11/55	1963 - 70	FR	
	HEALEY	SPRITE - ALL MODELS	1963 - 67	FR	
	MG	MG 1100	1965 - 69	FR	
	MINI	GTS - S.A. 12" WHEELS	1970 - on	FR	
	WOLSELEY	1100 & 11/55	1963 - 70	FR	
	CHEVROLET	FIRENZA 1.2	1972 - 75	FR	
	VAUXHAUL	VIVA HV SL	1966 - 70	FR	
		VIVA HC	1970 - 72	FR	
FDB896	FIAT	PALIO & SIENA RANGE PALIO 1.2 & 1.6	1999 - 2003	FR	
		PALIO & SIENA RANGE SIENA 1.2 & 1.6 (ALL MODELS)	1999 - 2003	FR	
FDB9	WESTMINISTER	ALL MODELS	1968 - 79	FR	
	FIAT	1500 & SABLE 1500 & SABLE	1965 - 69	FR	
	JAGUAR	E - TYPE ALL MODELS	1968 - 74	FR	
		XJ6 SERIES XJ6, 2.8 & 4.2	1969 - 77	FR	

BUYERS GUIDE FRONT DISC PADS

PART No.	MAKE	MODEL	YEAR	FR
	LOTUS	ELITE	1982 - on	FR
	ROVER	V8 SPORT	1971 - 75	FR
	VOLVO	122S, AMAZON, B18	1963 - 67	FR
FDB901	OPEL	ASTRA 200S TURBO	1993 - 96	FR
		CALIBRA 200I TURBO	1992 - 97	FR
		KADETT 200S TURBO	1993 - 97	FR
	SAAB 900	ALL MODELS	95 - 07/96	FR
FDB904	HONDA	PRELUDE 2.2SI - BA8 SERIES	1992 - 96	FR
FDB905	HONDA	CR-V, CRX, HR-V CR-V	1996 - on	FR
		ODYSSEY ALL MODELS	1997 - 98	FR
		PRELUDE PRELUDE 2.2 V-TEC, VTI	1997 - 00	FR
FDB908	JAGUAR	3.8 MKII	1965 - 66	FR
	LANCIA	FLAVIA / FULVIA FLAVIA & FULVIA SERVO	1965 - 74	FR
	NISSAN	2300 & 2400 SERIES 2300 & 2400	1969 - 72	FR
	ROVER	2000	1965 - 69	FR
FDB909	NISSAN	TERRANO II 2.7 TDI (WITH REAR DISCS)	1998 - on	FR
		TERRANO II 2.7 TDI (WITH REAR DRUMS)	1998 - on	FR
		TERRANO II 3.0 DI	11/02 - on	FR
FDB91	ALFASUD	ALL MODELS	1974 - 82	FR
	ALFA	EXPORT 1.3, 1.5 & VELOCE	1982 - 85	FR
		SUPERHATCH 105 SUPERHATCH 105	1983 - 85	FR
FDB920	JEEP	CHEROKEE ALL MODELS	1984 - 89	FR
		CHEROKEE ALL MODELS (4X2)	1990 - 93	FR
		WRANGLER ALL MODELS	1987 - 89	FR
FDB928	TOYOTA	MR2 2	04/90 - 12/91 12/91 - 05/00	FR FR
FDB929	JEEP	CHEROKEE 2.5 TD (ALL MODELS)	1994 - 96	FR
		CHEROKEE 4.0 (ALL MODELS)	1990 - 96	FR
		CHEROKEE ALL MODELS (4X4)	1990 - 93	FR
		GRAND CHEROKEE ALL MODELS	1992 - 96	FR
		WRANGLER ALL MODELS	1990 - 96	FR
FDB930	TOYOTA	PREVIA 2.4 (WITHOUT ABS)	1990 - 99	FR
FDB932	TOYOTA	PREVIA 2.4 (WITH ABS)	1990 - 99	FR
FDB938	DAIHATSU	FEROZA 4X4	1997 - 99	FR
		ROCKY 2.7 4X4	1997 - on	FR
FDB94	VW	411 & 412 LE	1972 - 74	FR
FDB948	SUBARU	IMPREZA 2.0 GT SEDAN	97 - 00	FR
FDB950	MAZDA	ETUDE 180I (ALL MODELS)	2000 - 2003 2004 - on	FR FR
FDB951	VW	GOLF 3 VR6 2.8	10/93 - 97	FR
		JETTA 3 VR6 2.8 EXEC	10/93 - 97	FR
FDB953	PEUGEOT	605 SRI 3.0 V6 - ALTERNATE	1996 - 97	FR
		605 SV 3.0 V6	1996 - 97	FR
FDB954	AUDI	CABRIO 2.6 CABRIOLET (WITH WEAR SENSOR)	1995 - 00	FR
FDB965	DAEWOO	CIELO 1.5 GLX, GTX (ATE ALTERNATE)	1996 - 98	FR
		ESPERO 1.8 CD, 2.0 CD (ATE ALTERNATE)	1996 - 98	FR
		LANOS 1.6 GTR (ATE ALTERNATE)	1998 - 99	FR
		LANOS 1.6 SX (ATE ALTERNATE)	1997 - 00	FR
		NUBIRA 1.6 SX (ATE ALTERNATE)	1997 - 00	FR
		NUBIRA 2.0 CDX (ALL MODELS) - (ATE ALTERNATE)	1997 - 00	FR
	OPEL	ASTRA 160IE; 180I; 200I; 200IE	07/93 - 98	FR
		ASTRA 160I ESTATE	1994 - 98	FR
		ASTRA 200I ESTATE	1996 - 98	FR
		ASTRA EURO 160I ESTATE	1998 - 2000	FR
		ASTRA EURO 200I ESTATE	1998 - 2000	FR

BUYERS GUIDE FRONT DISC PADS

PART No.	MAKE	MODEL	YEAR	FR				
FDB966	DAEWOO	ASTRA EURO 200IE, 200I SE	06/98 - 00	FR				
		KADETT 160IS	1993 - 1999	FR				
		KADETT 200IS	07/93 - 99	FR				
		EURO 200IS	06/98 - 00	FR				
		EURO 200ISE	06/98 - 00	FR				
		FORD	CIELO 1.5 GL, 150IL (ATE ALTERNATE)	1996 - 98	FR			
			LANOS 1.35IS (ATE ALTERNATE)	1998 - 00	FR			
		FORD	FIESTA 1.3I (ALL MODELS)	2000 - 2001	FR			
			FIESTA 1.4I (ALL MODELS)	2000 - 2001	FR			
			FIESTA 1.6 RSI & SPORT	00 - 02/01	FR			
		MAZDA	SOHO 1.4I	2000 - on	FR			
		OPEL	ASTRA 140; 160I; 160IS	1993 - 98	FR			
			ASTRA EURO 160I	1998 - 2000	FR			
			ASTRA EURO 200I	1998 - 2000	FR			
			CORSA 130I LITE	1996 - 01	FR			
			CORSA 130I, 130IS	1996 - 01	FR			
			CORSA 130IE	1997 - 00	FR			
			CORSA 1.4I, IS	2000 - 04	FR			
			CORSA 1.4I CD	2001 - 04	FR			
			CORSA 1.4I LITE, LITE PLUS	2001 - 2005	FR			
			CORSA 1.4I ACTIVE	2002 - 04	FR			
			CORSA 1.4I CHILL LTD	2002 - 04	FR			
			CORSA 160I, 160IS	1998 - 04	FR			
			CORSA 160 GSI	1999 - 02	FR			
			CORSA 160IE	1999 - 02	FR			
			CORSA 140I	2000 - 02	FR			
			CORSA 140I LITE	2000 - 02	FR			
			CORSA 1.6I CD, CDE, CDX	2000 - 04	FR			
			KADETT KADETT 140; 160I	1993 - 1999	FR			
			KADETT EURO 160I	06/98 - 00	FR			
			CORSA CORSA PRONTO 130I P/UP	1998 - 02	FR			
			CORSA CORSA PANEL VAN 130I	1998 - 01	FR			
			CORSA CORSA UTILITY 130I,	1997 - 02	FR			
			CORSA CORSA UTILITY 140I	08/04/2000	FR			
			CORSA CORSA UTILITY 160I	1997 - 03	FR			
			CORSA CORSA UTILITY 160IS	08/04/1998	FR			
			CORSA CORSA UTILITY 170D	08/04/1998	FR			
			FDB969	AUDI	A3 1.8 TURBO (ALL MODELS) - WITH WEAR SENSOR	1998-99	FR	
					VW	GOLF 3 VR6 2.8	1997 - 99	FR
						GOLF 4 1.8 GTI - NO WEAR SENSOR	1999 - 1999	FR
						JETTA 3 VR6 2.8 EXEC	1997 - 00	FR
						JETTA 4 2.3 V5 - NO WEAR SENSOR	1999 - 1999	FR
			FDB974	DAIHATSU	CUORE	1997 - 98	FR	
					MOVE PANEL VAN	1997 - on	FR	
		FDB98	CITROEN	GS 1220 CLUB & GS X2	1973 - 79	FR		
		FDB980	RANGE ROVER II	4.0 SE, 4.6 HSE	1995 - 02	FR		
			LAND ROVER	DISCOVERY II 2.5 TD5, 4.0 V8 (ALL MODELS)	03/99 - on	FR		
FDB985	AUDI	A8 3.7 (WITH LUCAS CALIPER)	04/96 - 10/98	FR				
		A8 4.2 QUATTRO (WITH LUCAS CALIPER)	04/96 - 10/98	FR				
			1995 - 03/96	FR				
FDB986	NISSAN	200 - 370 SERIES 300 ZX 24V V6	04/90 - 96	FR				
	SUBARU	IMPENZA 2.0 WRX SEDAN & S/WAGON	2000 - on	FR				
		IMPENZA 2.5 WRX	2005 - on	FR				
FDB994	ALFA	GT - GTV GTV 2.0 TWIN SPARK	1996 - 99	FR				
		SPIDER 2.0 TWIN SPARK	1996 - on	FR				

BUYERS GUIDE FRONT DISC PADS

PART No.	MAKE	MODEL	YEAR	FR
FDB997	LANCIA BMW	KAPPA ALL MODELS	1994 - on	FR
		5 SERIES 540i (E39)	07/96 - on	FR
		7 SERIES 740i (E38)	1995 - 02	FR
		M SERIES M5 (E39)	1999 - on	FR
		X-5 SERIES 3.0 & 4.4 4X4	2001 - on	FR
		X-5 SERIES 3.0D , 4.4i V8 (FACE LIFT)	02/04 - on	FR
FDB998	BMW	7 SERIES 735i (E39)	1999 - on	FR
FDB999	PEUGEOT	306 GTI 2.0 - TO CHASSIS NO. S 32 000 000	1998 - on	FR
		306 S16 2.0 - TO CHASSIS NO. S 32 000 000	1998 - 99	FR
		306 XSI 2.0 - TO CHASSIS NO. S 32 000 000	1996 - 00	FR
FDD1304	MERCEDES BENZ	VITO 108CDi2.2/2.4	1998 - on	FR
FDS1307	PORSCHE	BOXSTER SERIES BOXSTER	1998 - on	FR
FDS1308	PORSCHE	911 SERIES 3.4 CARRERA 24V	1998 - on	FR
FDS1435	PORSCHE	996 SERIES 3.4 CARRERA 4	1997 - on	FR
FDS1438	PORSCHE	996 SERIES 3.6 GT2	2001 - on	FR
		996 SERIES 3.6 GT3, TURBO	1999 - on	FR
FDS891	PORSCHE	911 SERIES 3.3 TURBO	07/91 - 09/93	FR
		911 SERIES 3.6 TURBO	03/95 - 04/98	FR
		928 SERIES 5.4 GTS 32V	05/92 - 01/95	FR
		964 SERIES 964 TURBO	07/91 - 94	FR
		968 SERIES 3.0 TURBO	1993 - 95	FR
		993 SERIES CARRERA RS	1994 - 97	FR
		993 SERIES TURBO	1994 - 97	FR
FRP203	FORD	SIERRA XR8	1984 - 87	FR
FVR1038	MERCEDES BENZ	SPRINTER 308D, 312D, 314D	1996 - on	FR
		SPRINTER 308D, 312D, 314D (ALTERNATE)	1996 - on	FR
		SPRINTER 313CDI	2000 - on	FR
	VW	LT PANEL VAN LT 35	11/03 - on	FR
FVR1043	VW	LT PANEL VAN LT 46	11/03 - on	FR
FVR1102	IVECO	TURBO DAILY SERIES 35.1	1997 - on	FR
		TURBO DAILY SERIES 40C11	2001 - on	FR
		TURBO DAILY SERIES 50C11	2001 - on	FR
		TURBO DAILY SERIES 50C13	2000 - on	FR
FVR1131	VW	CARAVELLE T4 2.5 TDI	1999 - 2004	FR
		CARAVELLE T4 2.8 VR6, V6	1999 - on	FR
FVR1163	VW	CARAVELLE T4 2.5 TDI (ALTERNATE 2)	1999 - 2004	FR
		CARAVELLE T4 2.8 VR6, V6 (ALTERNATE 2)	1999 - on	FR
FVR1315	IVECO	TURBO DAILY SERIES 35S11, 35S13	2000 - on	FR
		TURBO DAILY SERIES 40C11 (ALTERNATE)	2001 - on	FR
		TURBO DAILY SERIES 50C11 (ALTERNATE)	2001 - on	FR
		TURBO DAILY SERIES 50C13 (ALTERNATE)	2000 - on	FR
FVR1350	IVECO	TURBO DAILY SERIES 59.12	96 - 2000	FR
		TURBO DAILY SERIES 54.12	99 - 2001	FR
		TURBO DAILY SERIES 66.12	99 - 2001	FR
FVR1351	IVECO	TURBO DAILY SERIES 42.12, 45.12	99 - 2001	FR
		TURBO DAILY SERIES 49.10, 49.12	96 - 99	FR
FVR1390	IVECO	TURBO DAILY SERIES 65C15	2001 - on	FR
FVR1452	NISSAN OPEL	INTERSTAR 2.5 DCI HR, SR	2006 - on	FR
		MOVANO 2.5 CDTi (ALL MODELS)	2006 - on	FR
		VIVARO 1.9 CDTi HIGH OPULENCE PANEL VAN	2007 - on	FR
		VIVARO 2.0 BASE PANEL VAN	2006 - on	FR
		VIVARO 2.0 HIGH OPULENCE PANEL VAN	2006 - on	FR
FVR1479	FIAT	DUCATO 2.3 JTD PANEL VAN	2005 - on	FR
FVR1484	PEUGEOT VW	BOXER 350 2.8 HDI BOXER 350 2.8 HDI	2002 - on	FR
		CARAVELLE T4 2.5 TDI-(16" WHEEL OPTION)	1999 - 2004	FR

BUYERS GUIDE FRONT DISC PADS

PART No.	MAKE	MODEL	YEAR	FR
FVR1515	NISSAN	PRIMASTAR 1.9 DCI 100	2007 - on	FR
		OPEL	VIVARO 1.9 CDTI BASE PANEL VAN	2007 - on
	RENAULT	VIVARO 1.9 CDTI H/O PANEL VAN - ALTERNATE	2007 - on	FR
		VIVARO 2.0 BASE PANEL VAN - ALTERNATE	2006 - on	FR
		VIVARO 2.0 H/O PANEL VAN - ALTERNATE	2006 - on	FR
		TRAFIC 1.9 DCI (ALL MODELS)	2005 - on	FR
FVR1568	FORD	FIESTA 2.0 ST, 2.0I ST150	2005 - on	FR
FVR1643	VW	FOCUS 2.0I ST170 HATCH	07/03 - on	FR
		CARAVELLE T5 2.5 TDI - (96KW - 16" WHEELS)	2004 - on	FR
		CARAVELLE T5 2.5 TDI - 4-MOTION	2004 - on	FR
		CARAVELLE T5 3.2 V6	2004 - on	FR
		KOMBI T5 1.9 TDI, 2.5 TDI	2004 - on	FR
		TRANSPORTER T5 1.9 TDI (ALL MODELS)	2007 - on	FR
		TRANSPORTER T5 2.5 TDI (ALL MODELS)	2005 - on	FR
TRANSPORTER T5 3.2 V6 (ALL MODELS)	2005 - on	FR		
FVR1771	FIAT	SCUDA 120 MULTIJET	2008-on	FR
FVR1778	MERCEDES BENZ	SPRINTER 309CDI HR	2006-on	FR
		SPRINTER 315CDI	2006-on	FR
		SPRINTER 318CDI	2006-on	FR
FVR1879	MERCEDES BENZ	SPRINTER 412D	1996 - on	FR
		SPRINTER 413CDI	2000 - on	FR
		SPRINTER 413D	2001 - on	FR
FVR1926	FIAT	DUCATO 100 2.2 JTD	2005 - on	FR
		DUCATO 120 2.2 JTD	2005-on	FR
		DUCATO 160 2.2 JTD	2005-on	FR
FVR655	IVECO	TURBO DAILY SERIES 35.1	1983 - 93	FR
FVR709	IVECO	TURBO DAILY SERIES 49.10, 49.12	95 - 96	FR
FVR829	LAND ROVER 90	SERIES ALL MODELS	1984 - 86	FR
FVR852	IVECO	TURBO DAILY SERIES 59.12	95 - 96	FR
FVR968	PEUGEOT	BOXER 350 2.8 PANEL VAN	2000 - on	FR
FVR970	VW	CARAVELLE T4 2.5 TDI (ALTERNATE 1)	1999 - 2004	FR
		CARAVELLE T4 2.8 VR6, V6 (ALTERNATE 1)	1999 - on	FR
MX1149	JEEP	GRAND CHEROKEE 6.1 HEMI SRT8	2006 - on	FR
MX154	CHEVROLET	BLAZER 4.3 V6	1992 - 97	FR
MX369	CHEVROLET	AHOE	1995 - 00	FR
MX670	KIA	SPORTAGE 2.0 4X4	1995 - 1998	FR
MX726	CHEVROLET	BLAZER 4.3 V6 BLAZER 4.3 V6	1998 - on	FR
MX772	TOYOTA	LANDCRUISER 100 SERIES 4.2 GX	1998 - on	FR
		LANDCRUISER 100 SERIES 4.2 TD GX	2002- on	FR
		LANDCRUISER 100 SERIES 4.2 TD VX	1998-on	FR
		LANDCRUISER 100 SERIES 4.5 GX	1998-on	FR
		LANDCRUISER 100 SERIES 4.7 V8 VX	1999-on	FR
		SPORTAGE 2.0 4X4 - FACE-LIFT	1999-2004	FR
MX774	KIA	SPORTAGE 2.0 4X4 - FACE-LIFT	1999-2004	FR
MX785	CHEVROLET	TAHOE	2001-on	FR
MX790	JEEP	GRAND CHEROKEE LAREDO 2.7 CRD (TD)	2002 - on	FR
		GRAND CHEROKEE LAREDO 3.1 TD	1999-on	FR
		GRAND CHEROKEE LAREDO 4.0	05/99-on	FR
		GRAND CHEROKEE LAREDO 4.7 V8	08/02-on	FR
		GRAND CHEROKEE LIMITED 2.7 CRD (TD)	2001-on	FR
		GRAND CHEROKEE LIMITED 3.1 TD	1999-on	FR
		GRAND CHEROKEE LIMITED 4.0	05/99-on	FR
		GRAND CHEROKEE LIMITED 4.7 V8	1999-on	FR
		PT CRUISER 2.0 (ALL MODELS)	2000-on	FR
MX841	CHRYSLER	PT CRUISER 2.2 CRD	11/03-on	FR
		PT CRUISER 2.4 (ALL MODELS)	2004-on	FR

BUYERS GUIDE FRONT DISC PADS

PART No.	MAKE	MODEL	YEAR	FR	
MX856	JEEP	CHEROKEE 2.4 SPORT	2002-on	FR	
		CHEROKEE 2.4 SPORT (WITH REAR DISCS)	2002-on	FR	
		CHEROKEE 2.5 CRD (TD) (ALL	08/01-on	FR	
		CHEROKEE 2.8 CRD LIMITED & SPORT	2005-on	FR	
		CHEROKEE 2.8 TD LIMITED & SPORT	2003-on	FR	
		CHEROKEE 2.8 TD LIMITED & SPORT - WITH REAR DISCS	2003-on	FR	
		CHEROKEE 3.7L (ALL MODELS)	08/01-on	FR	
		CHEROKEE 3.7L (ALL MODELS) - WI	08/01-on	FR	
		CHRYSLER	VOYAGER & GRAND VOYAGER 2.4, 2.5 CRD, 3.3	05/01-on	FR
			(ALL MODELS) - 15" WHEELS		
MX866	JEEP	COMPASS 2.0D	2007-on	FR	
		COMPASS 2.4 LIMITED (ALL MODELS)	2007-on	FR	
		PATRIOT ALL MODELS	2007-on	FR	
	DODGE	CALIBER 1.8 SE, SXT	2006-on	FR	
		CALIBER 2.0 CRD SXT	2006-on	FR	
		CALIBER 2.0 SXT CVT	2006-on	FR	
MX867	MITSUBISHI	PAJERO 3200 (ALL MODELS)	05/00-on	FR	
		PAJERO 3500 (ALL MODELS)	05/00-on	FR	
		PAJERO 3.8 GLS	2004-on	FR	
PD1080	JEEP	GRAND CHEROKEE LAREDO 3.0 CRD	2005-on	FR	
		GRAND CHEROKEE LIMITED 3.0 CRD	2005-on	FR	
		GRAND CHEROKEE LIMITED 5.7 HEMI	2005-on	FR	
PD1081	JEEP	GRAND CHEROKEE OVERLAND 5.7 HEMI	2006-on	FR	
PD1181	JEEP	COMMANDER 3.0 CRD LIMITED & SPORT	2006-on	FR	
		COMMANDER 4.7 V8	2006-on	FR	
		COMMANDER 5.7 V8 LIMITED	2006-on	FR	
		GRAND CHEROKEE OVERLAND 3.0 CRD	2006-on	FR	
PD721	SUBARU	FORESTER 2.0 GX	1997 - 02	FR	
		FORESTER 2.0 GL , GT	1998 - 02	FR	
		FORESTER 2.5 XEL	2002 - on	FR	
		FORESTER 2.5X	2002 - on	FR	
		FORESTER 2.5XEC	2002 - on	FR	
		IMPREZA 2.0 GL S/WAGON	97 - 00	FR	
		IMPREZA 2.0 GL SEDAN	98-99	FR	
		IMPREZA 2.0 GT SEDAN	1997-00	FR	
		IMPREZA 2.0 RX SEDAN & S/WAGON	1997-00	FR	
		LEGACY 2.5 GX SEDAN	1999-00	FR	
		LEGACY 2.5 GX T/WAGON	1998 -on	FR	
		LEGACY 2.5 OUTBACK S/WAGON	1996 - 03	FR	
		LEGACY 3.0 OUTBACK S/WAGON	2000 - 03	FR	
PDB1	FORD	FAIRLANE V8	1968-72	FR	
PDB6	CHEVROLET	FAIRMONT	1969-72	FR	
		CAPRICE CLASSIC	1972-80	FR	
		DE VILLE	1972-75	FR	
		KOMMANDO & CONSTANTIA	1973-78	FR	
		EL CAMINO	1972-78	FR	
		EL TORO	1973-78	FR	
		FORD	FAIRLANE 500	1972-76	FR
RANCHERO	1971-76		FR		

BUYERS GUIDE FRONT BRAKE DISCS

PART No.	APPLICATION	YEAR	FR
DDF053-1	MERCEDES BENZ 190E 1.8; 2.0 (W201 SERIES) 190E 1.8; 2.0 (W201 SERIES)	1982 - 87	FR
	MERCEDES BENZ 190E 1.8; 2.0; 2.3 (W201SER) 190E 1.8; 2.0; 2.3 (W201SERIES)	1987 - 94	FR
DDF057-1	VW CARAVELLE 2.1I	1987 - 90	FR
	VW KOMBI ALL MODELS	1979 - 90	FR
	VW MICROBUS 1.9	1983 - 89	FR
	VW MICROBUS 2.1I	1985 - 91	FR
DDF062-1	BMW 3 SERIES 316 & 316I (E30)	1986 - 91	FR
	BMW 3 SERIES 318I (E30)	1983 - 91	FR
DDF064-1	NISSAN LANGLEY ALL MODELS - IMPORTED CALIPER	1983 - 87	FR
	NISSAN LANGLEY ALL MODELS - LOCAL CALIPER	1983 - 88	FR
	NISSAN PULSAR 1300S & 1500 GL	1983 - 87	FR
	NISSAN SENTRA ALL MODELS EXCEPT 1.6 GXEI & 1.8I 16V	1987 - 92	FR
DDF071-1	MERCEDES BENZ W123 SERIES 230, 230E, 250, 280E, 300D	1980 - 1986	FR
	MERCEDES BENZ W123 SERIES 230, 250, 280E, 300D	1977 - 1979	FR
DDF083-1	FIAT UNO RANGE FIRE 1100	1990 - 99	FR
	FIAT UNO RANGE PACER 1400 & 1400 SX	1990 - 99	FR
	FIAT UNO RANGE BEAT	1996 - 98	FR
	FIAT UNO RANGE CENTO 1000	1996 - 98	FR
	FIAT UNO RANGE FIRE RIO 1100	1996 - 99	FR
	FIAT UNO RANGE TEMPO 1100	1998 - 00	FR
	FIAT UNO RANGE MIA 1100 & 1400	1998 - on	FR
	FIAT UNO EXPRESSO PANEL VAN UNO EXPRESSO PANEL VAN	1992 - 96	FR
DDF085-1	BMW 5 SERIES 518 2.0L (E12)	1979 - 1981	FR
	BMW 5 SERIES 520 (6 CYL)	1979 - 1981	FR
	BMW 5 SERIES 525 (E12)	1979 - 1984	FR
	BMW 5 SERIES 528 (E12)	1979 - 1979	FR
	BMW 5 SERIES 528I (E28)	1985 - 1989	FR
	BMW 5 SERIES 530 (E12)	1976 - 1978 1979 - 1980	FR
DDF1008-1	TOYOTA LANDCRUISER PRADO 3.0 TDI GX & VX (ALL MODELS)	1997 - 03	FR
	TOYOTA LANDCRUISER PRADO 3.4 GX & VX PETROL	1997 - 03	FR
	TOYOTA LANDCRUISER PRADO 3.4 V6	1997 - 03	FR
DDF1009-1	TOYOTA RAV 4 ALL MODELS	1995 - 10/00	FR
DDF1027-1	JEEP CHEROKEE 2.5 TD (ALL MODELS)	1997 - 08/01	FR
	JEEP CHEROKEE 4.0 (ALL MODELS)	1997 - 02	FR
	JEEP GRAND CHEROKEE LAREDO 2.5 TD	1997 - 00	FR
	JEEP GRAND CHEROKEE LIMITED 4.0	1997 - 04/99	FR
	JEEP WRANGLER ALL MODELS	1997 - on	FR
DDF103-1	VW CITIGOLF ALL MODELS	1983 - 84	FR
	VW CITIGOLF 1.3 (ALL MODELS)	1984 - on	FR
	VW CITIGOLF 1.3 SHUTTLE	1992 - 97	FR
	VW CITIGOLF 1.3 CHICO	1996 - 2003	FR
	VW CITIGOLF 1.3 SONIC	1998 - 01	FR
	VW CITIGOLF 1.4I CHICO	1999 - on	FR
	VW CITIGOLF 1.4I CITI.COM	2001 - on	FR
	VW CITIGOLF 1.4 CHICO	2002 - on	FR
	VW CITIGOLF 1.6 (ALL MODELS)	1984 - on	FR
	VW CITIGOLF 1.6 BLUES, CHICO, DECO	1996 - on	FR
	VW CITIGOLF 1.6 SONIC	1998 - on	FR
	VW CITIGOLF 1.6I LIFE, VELOCITI	1999 - on	FR
	VW FOX FOX - ALL MODELS	1988 - 95	FR
	VW GOLF 1 ALL MODELS	1978 - 82	FR
	VW GOLF 1 ALL MODELS EXCEPT GTI	1982 - 84	FR
	VW GOLF 2 ALL MODELS EXCEPT 1.8 GTI & 2.0 16V	1984 - 92	FR

BUYERS GUIDE FRONT DISCS

PART No.	APPLICATION	YEAR	FR
	VW GOLF 3 GS, GSX, GTS (SOLID DISC)	1992 - 03/96	FR
	VW JETTA 1 ALL MODELS	1979 - 82	FR
	VW JETTA 1 ALL MODELS EXCEPT CLI	1982 - 84	FR
	VW JETTA 2 ALL MODELS EXCEPT 1.8 CLI, CSI & 16V	1984 - 92	FR
	VW JETTA 3 CLX, CSL, CSX (WITH SOLID DISC)	1992 - 03/96	FR
	VW POLO CLASSIC I 1.4I - WITH SOLID DISC	10/96 - 01/97	FR
	VW GOLF P/UP GOLF PICK UP (ALL MODELS)	1982 - 84	FR
		1985 - 2005	FR
	VW GOLF P/UP GOLF CADDY (ALL MODELS) - WITH SOLID DISC	1992 - 2005	FR
DDF1097-1	DAEWOO NUBIRA 1.6 SX	1997 - 00	FR
	DAEWOO NUBIRA 1.6 SX (ATE ALTERNATE)	1997 - 00	FR
	DAEWOO NUBIRA 2.0 CDX (ALL MODELS)	1997 - 00	FR
	DAEWOO NUBIRA 2.0 CDX (ALL MODELS) - (ATE ALTERNATE)	1997 - 00	FR
	DAEWOO NUBIRA II 1.6 SX	2000 - on	FR
	DAEWOO NUBIRA II 2.0 (ALL MODELS)	2000 - on	FR
DDF1109-1	MITSUBISHI PAJERO 2.6 4X4	04/91 - 94	FR
	MITSUBISHI PAJERO 2.8 TD	1995 - 99	FR
	MITSUBISHI PAJERO 2.8 TDI	1997 - 99	FR
	MITSUBISHI PAJERO 3.0 GLS	1994 - 97	FR
	MITSUBISHI PAJERO 3.5 GLS	1995 - 99	FR
	MITSUBISHI PAJERO 3.0 GLX	1997 - 01	FR
	MITSUBISHI SHOGUN ALL MODELS	1994 - on	FR
DDF116-1	OPEL ASCONA 1.3 L	1982 - 1985	FR
	OPEL ASCONA 1.6, 1.8 (EXCLUDING 1.8 GSI)	1982 - 1987	FR
	OPEL KADETT KADETT- ALL MODELS EXCEPT GTE	1980 - 85	FR
	OPEL MONZA ALL MODELS	1986 - 89	FR
DDF1223-1	VW GOLF 5 1.6 COMFORTLINE, TRENDLINE	2004 - on	FR
DDF124-1	MERCEDES BENZ E-CLASS (W124 SERIES) 200	1986 - 1990	FR
	MERCEDES BENZ E-CLASS (W124 SERIES) 200E	1990 - 1992	FR
	MERCEDES BENZ E-CLASS (W124 SERIES) 230E	1986 - 1992	FR
	MERCEDES BENZ E-CLASS (W124 SERIES) 300D	1986 - 1989	FR
DDF1317-1	TOYOTA CONQUEST 180 RSI	07/94 - 96	FR
		1993 - 06/94	FR
	TOYOTA COROLLA 160I GL , GLE	04/98 - 07/01	FR
	TOYOTA COROLLA 160 RSI	97 - 01	FR
	TOYOTA COROLLA 160 RXI	1998 - 02	FR
	TOYOTA COROLLA 180I GL	1993 - 94	FR
	TOYOTA COROLLA 180I GSX	1993 - 96	FR
	TOYOTA COROLLA 180I GSE	1993 - 98	FR
	TOYOTA COROLLA 180I GLE	04/98 - 07/01	FR
		07/01 - on	FR
		1993 - 04/98	FR
DDF1318-1	TOYOTA CONQUEST 130, 130 SPORT	1993 - 01	FR
	TOYOTA CONQUEST 130 TAZZ, ZIP	1996 - on	FR
	TOYOTA COROLLA 130 (ALL MODELS)	1993 - 02	FR
	TOYOTA TAZZ ALL MODELS	1999 - on	FR
DDF1319-1	TOYOTA CONQUEST 160I SPORT, 160I RS	1993 - 1998	FR
	TOYOTA CONQUEST 160I RSE	1998 - 01	FR
	TOYOTA COROLLA 160I GL , GLE	1993 - 04/98	FR
		2001 - 2002	FR
	TOYOTA COROLLA SPRINTER 130, 160I, 180I	1993 - 97	FR
DDF1320-1	NISSAN 1 TONNER & 1 TONNER HARDBODY 1600	1988 - 99	FR
	NISSAN 1 TONNER & 1 TONNER HARDBODY 1800	1988 - 95	FR
	NISSAN 1 TONNER & 1 TONNER HARDBODY 2500 DIESEL	1988 - 96	FR
DDF1322-1	NISSAN 1400 1400 P/ UP	1986 - 87	FR
		1988 - on	FR

BUYERS GUIDE FRONT DISCS

PART No.	APPLICATION	YEAR	FR
DDF1323-1	TOYOTA VENTURE VENTURE 2200	03/94 - 00	FR
	TOYOTA VENTURE VENTURE 2.4 DIESEL	1996 - 00	FR
DDF1324-1	NISSAN 1 TONNER & 1 TONNER HARDBODY 2.0 4X2 (ALL MODELS)	05/99 - 02/02	FR
	NISSAN 1 TONNER & 1 TONNER HARDBODY 2.4I 4X2, 4X4 (ALL MODELS)	05/99 - 02/02	FR
	NISSAN 1 TONNER & 1 TONNER HARDBODY 2000 4X2 (ALL MODELS)	1995 - 02	FR
	NISSAN 1 TONNER & 1 TONNER HARDBODY 2.7D 4X2	05/99 - 02/02	FR
	NISSAN 1 TONNER & 1 TONNER HARDBODY 2500 4X2 HI-RIDER	1990 - 97	FR
	NISSAN 1 TONNER & 1 TONNER HARDBODY 3.0I 4X2, 4X4 (ALL MODELS)	05/99 - on	FR
	NISSAN 1 TONNER & 1 TONNER HARDBODY 3.2D 4X2, 4X4 (ALL MODELS)	05/99 - on	FR
DDF1325-1	TOYOTA CRESSIDA 2.4I	1987 - 93	FR
	TOYOTA CRESSIDA 2.8I	1985 - 86	FR
		1986 - 89	FR
	TOYOTA CRESSIDA 3.0I TWIN CAM	1989 - 93	FR
	TOYOTA CRESSIDA ALL MODELS EXCEPT 2.4I & 2.8I	1980 - 93	FR
DDF1327-1	FORD BANTAM BAKKIE 1300	1983 - 1986	FR
	FORD BANTAM BAKKIE 1400	1986 - 1993	FR
	MAZDA RUSTLER 1400	1985 - 1993	FR
DDF1328-1	AUDI A4 (INCLUDING AVANT MODELS 1.8 (NON TURBO) - LUCAS CALIPER - WITHOUT WEAR SENSOR	05/99 - 05/01	FR
		08/97 - 04/99	FR
	AUDI A4 (INCLUDING AVANT MODELS 1.8 (NON TURBO) - ALTERNATE REAR	08/97 - 04/99	FR
DDF1329-1	CHRYSLER NEON 1.8 & 2.0 LE & SE	1996 - 98	FR
	CHRYSLER NEON 1.8 & 2.0 LE & SE (ALTERNATE)	1996 - 98	FR
	CHRYSLER NEON ALL MODELS	2001 - on	FR
DDF1331-1	FORD CORTINA BAKKIE CORTINA BAKKIE 1.6, 2.0 & 2.5	1971 - 77	FR
	FORD CORTINA BAKKIE CORTINA BAKKIE 1.6	1977 - 86	FR
	FORD CORTINA BAKKIE CORTINA BAKKIE 3.0	1978 - 86	FR
	FORD CORTINA BAKKIE CORTINA BAKKIE 2.4 DIESEL	1982 - 85	FR
DDF1332-1	FORD COURIER BAKKIE 2500 4X4 (ALL MODELS)	1997 - 00	FR
	FORD COURIER BAKKIE 3400 4X2	1997 - 00	FR
	FORD COURIER BAKKIE 3400 4X4	1997 - 00	FR
	MAZDA B SERIES B1800 (ALL MODELS)	1997 - 00	FR
	MAZDA B SERIES B2200 DRIFTER	1991 - 96	FR
	MAZDA B SERIES B2500 TD 4X4, DOUBLE CAB 4X4	97 - 02/00	FR
	MAZDA B SERIES B2500, B2500 TD 4X2	1997 - 00	FR
	MAZDA B SERIES B3000 DRIFTER & DOUBLE CAB 4X4	1993 - 98	FR
	MAZDA B SERIES B3400 4X2	1997 - 00	FR
	MAZDA DRIFTER SERIES (ALL MODELS)	03/00 - on	FR
DDF1335-1	ISUZU FRONTIER 280 DT	1997 - 2003	FR
	ISUZU KB SERIES KB160 (ALL MODELS)	1989 - 1995	FR
	ISUZU KB SERIES KB200 (ALL MODELS)	1994 - 2004	FR
	ISUZU KB SERIES KB220 (ALL MODELS)	1994 - 2004	FR
DDF1338-1	KIA K2700 K2700	2001 - on	FR
DDF1341-1	NISSAN MAXIMA 2.0 QX	1997 - 00	FR
		2000 - on	FR
	NISSAN MAXIMA 2.0 QX (ALTERNATE)	1997 - 00	FR
	NISSAN MAXIMA 3.0E, SE	1991 - 97	FR
	NISSAN MAXIMA 3.0 QX	1996 - 00	FR
		2000 - on	FR
DDF1342-1	NISSAN MAXIMA 3.0 QX (ALTERNATE)	1996 - 00	FR
	NISSAN LANGLEY ALL MODELS - ALTERNATE FRONT DISC	1983 - 1988	FR
	NISSAN PULSAR 1300S & 1500 GL (ALTERNATE DISC)	1983 - 1987	FR
	NISSAN SENTRA ALL EXCEPT 1.6 GXEI & 1.8I 16V (ALTERNATE DISC)	1987 - 1992	FR
DDF1343-1	TOYOTA COROLLA 140I GLE, GLS	09/02 - on	FR
	TOYOTA COROLLA 160I GLE, GLS, GSX	09/02 - on	FR

BUYERS GUIDE FRONT DISCS

PART No.	APPLICATION	YEAR	FR
	TOYOTA COROLLA 180I GLE, GLS, GSX	09/02 - on	FR
	TOYOTA RUN-X 140 (ALL MODELS)	2003 - on	FR
	TOYOTA RUN-X 160 (ALL MODELS)	2003 - on	FR
	TOYOTA RUN-X 180 RX	2004 - on	FR
DDF1345-1	TOYOTA COROLLA 1.6 (REAR WHEEL DRIVE)	1980 - 1984	FR
DDF1347-1	NISSAN PRIMERA 200 SI (ALTERNATE)	1998 - 00	FR
	NISSAN PRIMERA 200 GSI, STI	1998 - 02	FR
	NISSAN PRIMERA 2.0 LUXURY & ELEGANCE	2001 - 02	FR
DDF1351-1	MERCEDES BENZ W116 SERIES 280S, 280SE, 350SE	1973 - 1979	FR
		1980 - 1981	FR
DDF1354-1	NISSAN 1 TONNER & 1 TONNER HARDBOD 2400 4X2 (ALL MODELS EXCEPT HI-RIDER)	1988 - 99	FR
	NISSAN 1 TONNER & 1 TONNER HARDBOD 2400 4X4 (ALL MODELS INCLUDING SANI)	1990 - 99	FR
	NISSAN 1 TONNER & 1 TONNER HARDBOD 3000 4X2 & 4X4 (ALL MODELS)	1990 - 99	FR
	NISSAN SANI 2400	1992 - on	FR
	NISSAN SANI 2700 DT	1992 - on	FR
DDF1355-1	SUZUKI 4X4 4X4	1983 - on	FR
	SUZUKI SAMURAI SAMURAI CONVERTIBLE 4X4	1993 - on	FR
	SUZUKI SAMURAI SAMURAI WAGON 4X4	1993 - on	FR
	SUZUKI SJ SERIES SJ 410	1983 - 89	FR
	SUZUKI SJ SERIES SJ 413	1988 - 89	FR
DDF143-1	MERCEDES BENZ W126 SERIES 280SE	1981 - 1987	FR
	MERCEDES BENZ W126 SERIES 380SE	1981 - 1987	FR
DDF147-1	TOYOTA HI-ACE 1800 PANEL VAN & WAGON	1982 - 83	FR
	TOYOTA HI-ACE 2000 PANEL VAN	1977 - 84	FR
	TOYOTA HI-ACE 2000 SUPER 10 & 16 SEATER BUS	1977 - 84	FR
	TOYOTA HILUX 1600	1982 - 83	FR
	TOYOTA HILUX 2000, 2000 SR5	1979 - 83	FR
	TOYOTA HILUX 2200 DIESEL	1980 - 83	FR
DDF148-1	FIAT UNO RANGE TURBO 1400	1990 - 99	FR
DDF151-1	OPEL ASCONA 1.8 GSI	1984 - 1987	FR
	OPEL ASTRA 140; 160I; 160IS	1993 - 98	FR
	OPEL ASTRA EURO 160I	1998 - 2000	FR
	OPEL CORSA 130I LITE	1996 - 01	FR
	OPEL CORSA 130I, 130IS	1996 - 01	FR
	OPEL CORSA 130IE	1997 - 00	FR
	OPEL CORSA 1.4I, IS	2000 - 04	FR
	OPEL CORSA 1.4I CD	2001 - 04	FR
	OPEL CORSA 1.4I LITE, LITE PLUS	2001 - 2005	FR
	OPEL CORSA 1.4I ACTIVE	2002 - 04	FR
	OPEL CORSA 1.4I CHILL LTD	2002 - 04	FR
	OPEL CORSA 160I, 160IS	1998 - 04	FR
	OPEL CORSA 160 GSI	1999 - 02	FR
	OPEL CORSA 160IE	1999 - 02	FR
	OPEL CORSA 140I	2000 - 02	FR
	OPEL CORSA 140I LITE	2000 - 02	FR
	OPEL CORSA 1.6I CD, CDE, CDX	2000 - 04	FR
	OPEL KADETT KADETT CUB	1988 - 89	FR
	OPEL KADETT KADETT T CAR	1985 - 89	FR
	OPEL KADETT KADETT CUB 140 & 160	1990 - 93	FR
	OPEL KADETT KADETT 140; 160I	1993 - 1999	FR
	OPEL KADETT KADETT 160IS	1993 - 1999	FR
	OPEL KADETT KADETT 1.8 GTE	1984 - 85	FR
	OPEL KADETT EURO 160I	06/98 - 00	FR

BUYERS GUIDE FRONT DISCS

PART No.	APPLICATION	YEAR	FR
	OPEL MONZA MONZA 160, 180 & 200	1990 - 93	FR
	OPEL MONZA MONZA 160 GSI	1990 - 1993	FR
	OPEL CORSA CORSA PRONTO 130I P/UP	1998 - 02	FR
	OPEL CORSA CORSA PANEL VAN 130I	1998 - 01	FR
	OPEL CORSA CORSA UTILITY 130I,	1997 - 02	FR
	OPEL CORSA CORSA UTILITY 140I	08/04/2000	FR
	OPEL CORSA CORSA UTILITY 160I	1997 - 03	FR
	OPEL CORSA CORSA UTILITY 160IS	08/04/1998	FR
	OPEL CORSA CORSA UTILITY 170D	08/04/1998	FR
DDF152-1	HONDA BALLADE 160I	1984 - 89	FR
DDF1539-1	HONDA FR-V 2	2005 - on	FR
DDF156-1	ALFA 147 1.6 PROGRESSION	07/02 - on	FR
	ALFA 147 1.6 TS 16V	2001 - on	FR
	ALFA 147 1.9 JTD	10/04 - on	FR
	ALFA 147 2.0 DISTINCTIVE	07/02 - on	FR
	ALFA 147 2.0 SELESPEED	2001 - on	FR
	ALFA 156 1.9 JTD	11/04 - on	FR
	ALFA 156 2.0 TWIN SPARK, 2.5 V6 (SEDANS)	1997 - on	FR
	ALFA 156 2.4 JTD	05/03 - on	FR
	ALFA 156 2.5 V6 SPORTWAGON	2000 - on	FR
DDF158-1	RENAULT CLIO 1.4 RT	1999 - on	FR
	RENAULT MEGANE 1.6 8V CABRIOLET	1996 - 99	FR
	RENAULT MEGANE 1.6 RN HATCHBACK	1996 - 99	FR
	RENAULT MEGANE 1.6 RT CLASSIC & HATCHBACK	1996 - 99	FR
	RENAULT MEGANE 1.6E RT COUPE	1996 - 99	FR
	RENAULT KANGOO 1.4 PANEL VAN KANGOO 1.4 PANEL VAN	2001 - on	FR
DDF1589-1	NISSAN QASHQAI 1.5 ALL MODELS	02/07 -on	FR
	NISSAN QASHQAI 1.6 ALL MOELS	02/07 -on	FR
	NISSAN QASHQAI 2.0 ALL	02/07 -on	FR
	NISSAN X-TRAIL 2.0 ALL MODELS	2007 - on	FR
	NISSAN X-TRAIL 2,5 ALLMODESL	2007- on	FR
DDF1595-1	MERCEDES BENZ E-CLASS (W211 SERIES) E350	2005 - on	FR
DDF1610-1	HONDA JAZZ 1.4	04/03 - on	FR
DDF1611-1	AUDI A4 III (INCLUDING AVANT MO 2.0 TDI (125KW)	2006 - on	FR
DDF1627-1	SSANGYONG ACTYON A200 (ALL MODELS)	2006 - on	FR
	SSANGYONG KORANDO ALL MODELS (FACE - LIFT)	2000 - on	FR
	SSANGYONG KYRON 2.0XDI (ALL MODELS)	2005 - on	FR
	SSANGYONG REXTON 270 XDI	2006 - on	FR
DDF1634-1	BMW 3 SERIES 335I (E93) CONV	2006 - on	FR
DDF1644-1	OPEL CORSA D 1.7 CDTi	2009 - on	FR
DDF1645-1	TOYOTA AURIS 1.4 RT, RS	2007 - on	FR
	TOYOTA AURIS 1.6 RT, RS, RS M-MT	2007 - on	FR
	TOYOTA AURIS 1.8 RS, RX	2007 - on	FR
DDF1646-1	TOYOTA RAV 4 2.2D-4D (ALL MODELS)	2006 - on	FR
DDF1648-1	JAGUAR S - TYPE 2.7D SE	2006 - on	FR
DDF1649-1	VOLVO S40/V40 S40 1.8	2005 - on	FR
DDF1650-1	MERCEDES BENZ C-CLASS (W203 SERIES) C320 CDI	2005 - on	FR
DDF1652-1	CITROEN C6 2.2 HDi	2006 -on	FR
	CITROEN C6 2.7 Hdi	2005 -on	FR
	CITROEN C6 3.0 Hdi	2005 -on	FR
DDF1654-1	RENAULT ESPACE IV 2.0T	2005 - on	FR
	RENAULT ESPACE IV 2.2 DCI	2005 - on	FR
	RENAULT ESPACE IV 3.5 V6	2005 - on	FR
DDF1657-1	MAZDA MX SERIES MX-5 2.0	2005 - on	FR
DDF166-1	BMW 6 SERIES 633 & 635CSI	1978 - 82	FR

BUYERS GUIDE FRONT DISCS

PART No.	APPLICATION	YEAR	FR
	BMW 7 SERIES 728 (E23)	1978 - 1980	FR
	BMW 7 SERIES 730 (E23)	1978 - 1980	FR
	BMW 7 SERIES 733i (E23)	1978 - 1987	FR
DDF1664-1	AUDI 4.2 FSI QUATTRO 4.2 FSI QUATTRO		FR
DDF1668-1	TOYOTA AURIS 2.0 RS, RX D-4D	2007 - on	FR
DDF1678-1 (V)	FIAT CROMA 2.2 (ALL MODELS)	2005 - on	FR
DDF1685-1	MINISUBISHI SPACEGEAR 2.4 GLX MPV	1996 - 99	FR
DDF1686-1	TOYOTA QUANTUM 2.5 D, D-4D (ALL MODELS)	2005 - on	FR
	TOYOTA QUANTUM 2.7 (ALL MODELS)	2005 - on	FR
DDF1687-1	SUZUKI VITARA 1.6 (ALTERNATE 2)	1997 - 98	FR
	SUZUKI VITARA 2.0 V6 (ALTERNATE 2)	1997 - 99	FR
	SUZUKI VITARA GRAND 1.6 , 2.0	03/99 - 10/05	FR
	SUZUKI VITARA GRAND 2.5 V6	03/99 - on	FR
	SUZUKI VITARA GRAND 2.7 V6	2001 - on	FR
DDF1688-1	MERCEDES BENZ C-CLASS (W204 SERIES) C180K (ALL MODELS)	2008 - on	FR
DDF1690-1	MERCEDES BENZ C-CLASS (W204 SERIES) C200K (ALL MODELS)	2007 - on	FR
DDF1691-00	MERCEDES BENZ C-CLASS (W204 SERIES) C320 CDI (ALL MODELS)	2007 - on	FR
DDF1693-1	MERCEDES BENZ C-CLASS (W204 SERIES) C220 CDI (ALL MODELS)	2007 - on	FR
	MERCEDES BENZ C-CLASS (W204 SERIES) C280 (ALL MODELS)	2007 - on	FR
DDF1694-1	MERCEDES BENZ C-CLASS (W204 SERIES) C350 (ALL MODELS)	2007 - on	FR
DDF1742	ALFA MITO 1.4 T	2008 - on	FR
DDF175-1	VW CITIGOLF 1.6I VELOCITI (WITH VENTED DISCS)	1999 - on	FR
	VW CITIGOLF SPORT 1.8	1988 - 97	FR
	VW GOLF 1 GTI	1982 - 85	FR
	VW 1.6 ALL MODELS 1.8 GTI (8V)	1984 - 92	FR
	VW 1.6 ALL MODELS 1.8 GTI (8V) - ALTERNATIVE	1984 - 92	FR
	VW GOLF 3 GS, GSX, GTS (VENT DISC)	1992 - 03/96	FR
	VW GOLF 3 GS, GSX, GTS	03/96 - 00	FR
	VW GOLF 3 GS, GSX, GTS (ALTERNATE)	03/96 - 00	FR
	VW JETTA 1 CLI	1982 - 84	FR
	VW JETTA 2 1.8 CLI	1984 - 87	FR
	VW JETTA 2 1.8 CLI - ALTERNATE	1984 - 87	FR
	VW JETTA 2 1.8 CLI & 16V	1987 - 92	FR
	VW JETTA 2 1.8 CSI	1990 - 92	FR
	VW JETTA 3 CLX, CSL, CSX (WITH VENT DISC)	1992 - 03/96	FR
	VW JETTA 3 CLX, CSL, CSX	03/96 - 00	FR
	VW PASSAT ALL 5 CYL MODELS WITH VENT DISCS EXCEPT CLI	1983 - 87	FR
	VW POLO CLASSIC I 1.4I - WITH VENT DISC	1997 - 2002	FR
	VW POLO PLAYA 1.4I	1998 - 2002	FR
	VW GOLF P/UP GOLF CADDY(ALL MODELS) - WITH VENT DISC	1992 - 2005	FR
DDF181-1	MERCEDES BENZ E-CLASS (W124 SERIES) 200E, 220E	1992 - 1995	FR
	MERCEDES BENZ E-CLASS (W124 SERIES) 260E	1986 - 1993	FR
	MERCEDES BENZ E-CLASS (W124 SERIES) 280E	1993 - 1996	FR
	MERCEDES BENZ E-CLASS (W124 SERIES) 300E	1987 - 1993	FR
DDF1811-1	BMW 1 SERIES COUPE & CONVERTIB 135 i	2008 -on	FR
DDF182-1	BMW 3 SERIES 320i (E30)	1983 - 91	FR
	BMW 3 SERIES 323i (E30)	1983 - 91	FR
	BMW 3 SERIES 325i (E30)	1986 - 91	FR
	BMW 3 SERIES 325i - SHADOW LINE (E30)	1986 - 91	FR
DDF183-1	FORD ESCORT XR3i	1984 - 86	FR
	FORD SAPHIRE 1.6, 2.0	1988 - 93	FR
	FORD SIERRA 1.6, 2.0 & 2.3	1983 - 86	FR
	FORD SIERRA 1.6 & 2.0	1987 - 93	FR
	FORD BANTAM BAKKIE 1600	1984 - 1993	FR
	MAZDA RUSTLER 1600	1985 - 1993	FR

BUYERS GUIDE FRONT DISCS

PART No.	APPLICATION	YEAR	FR
DDF193-1	AUDI 100 100LS, GL, GL5, GLS5E	1977 - 82	FR
	AUDI 200 200 GLX 5E	1978 - 82	FR
	AUDI 400 400 SERIES	1987 - 91	FR
	AUDI 500 500E 2.2, 500SE	1983 - 92	FR
DDF195-1	FORD LASER ALL MODELS EXCEPT TX3 & 1600I SPORT	1986 - 95	FR
	FORD LASER TX-3	1986 - on	FR
	FORD LASER 1600I SPORT	1986 - 96	FR
	FORD METEOR ALL EXCEPT 1600 GLI & 2.0 GLE & GLI	1986 - 95	FR
	FORD METEOR 1600 GLI	1986 - 89	FR
	FORD METEOR 2.0 GLE	1991 - 94	FR
	FORD BANTAM BAKKIE ALL MODELS EXCEPT 1600I	1994 - 1999	FR
	MAZDA 323 SERIES 1.3, 1.5	2000 - 2002	FR
	MAZDA 323 SERIES 130 MIDGE & STING	1985 - 91	FR
	MAZDA 323 SERIES 1.6 EGI, GLE	1995 - on	FR
	MAZDA 323 SERIES 1.6I SLE	1985 - 94	FR
	MAZDA 323 SERIES 160 MIDGE	1988 - on	FR
	MAZDA 323 SERIES 160I MIDGE & STING, 160IS MIDGE	1995 - 99	FR
	MAZDA 323 SERIES 2.0 EGI & SLI	1995 - 99	FR
	MAZDA RUSTLER 1300	1988 - 91	FR
	MAZDA RUSTLER 1600	1994 - 2002	FR
	DDF203-1	HONDA BALLADE BALLADE	1982 - 84
HONDA BALLADE 130		1984 - 89	FR
HONDA BALLADE 150, 150I		1984 - 1989	FR
DDF206-1	OPEL ASTRA 160IE; 180I; 200I; 200IE	07/93 - 98	FR
		1993 - 1993	FR
	OPEL ASTRA 160I ESTATE	1994 - 98	FR
	OPEL ASTRA 200I ESTATE	1996 - 98	FR
	OPEL ASTRA EURO 160I ESTATE	1998 - 2000	FR
	OPEL ASTRA EURO 200I	1998 - 2000	FR
	OPEL ASTRA EURO 200I ESTATE	1998 - 2000	FR
	OPEL ASTRA EURO 200IE, 200I SE	06/98 - 00	FR
	OPEL CALIBRA CALIBRA 200I	1992 - 97	FR
	OPEL KADETT KADETT 1.8I	1990 - 93	FR
	OPEL KADETT KADETT 2.0 GSI	1987 - 89	FR
		1990 - 93	FR
	OPEL KADETT KADETT 2.0 GSI 16V	1990 - 93	FR
	OPEL KADETT KADETT 200I CD 16V	1991 - 93	FR
	OPEL KADETT KADETT 200IS	07/93 - 99	FR
		1993 - 1993	FR
	OPEL KADETT EURO 200IS	06/98 - 00	FR
OPEL KADETT EURO 200ISE	06/98 - 00	FR	
OPEL MONZA 2.0 CLI, GLI	1990 - 1993	FR	
OPEL MONZA MONZA 2.0 CD, CLI 16V	1990 - 1993	FR	
DDF207-1	VW CITIGOLF SPORT 1.8 (ALTERNATE FRONT DISC)	1988 - 1997	FR
	VW CITIGOLF CTI 1.8 (ALTERNATE FRONT DISC)	1991 - 1997	FR
	VW 1.6 ALL MODELS 1.8 GTI (16V)	1986 - 90	FR
	VW 1.6 ALL MODELS 2.0 16V	1990 - 92	FR
	VW GOLF 3 1.8 CABRIO - FROM CHASSIS NO 1V000001	06/98 - on	FR
	VW GOLF 3 2.0 CABRIO	06/98 - 01	FR
	VW GOLF 3 GTI 2.0	1992 - 00	FR
	VW JETTA 2 2.0 16V	1990 - 92	FR
	VW JETTA 3 CLI 2.0 - ALTERNATE	1992 - 99	FR
	VW JETTA 3 CLI 2.0	1992 - 99	FR
	VW PASSAT CLI	1984 - 88	FR
	VW POLO CLASSIC I 1.6I	10/02/1996	FR

BUYERS GUIDE FRONT DISCS

PART No.	APPLICATION	YEAR	FR
	VW POLO CLASSIC I 1.6I - ALTERNATE	1996 - 2002	FR
	VW POLO CLASSIC I 1.6I LUX , 1.8I LUX	10/02/1996	FR
	VW POLO CLASSIC I 1.6I LUX , 1.8I LUX - ALTERNATE	1996 - 2002	FR
	VW POLO PLAYA 1.6I	10/02/1998	FR
	VW POLO PLAYA 1.6I - ALTERNATE	1998 - 2002	FR
	VW POLO PLAYA 1.8I	1999 - 10-/02	FR
	VW POLO PLAYA 1.8I - ALTERNATE	1999 - 2002	FR
DDF208-1	FORD FIESTA 1.3I (ALL MODELS)	1997 - 1999	FR
DDF209-1	FORD SAPPHIRE 3.0 GLX	1989 - 93	FR
	FORD SAPPHIRE 3.0 LX	1989 - 93	FR
	FORD SAPPHIRE 3.0L GHIA, 3.0I RS	1991 - 93	FR
	FORD SIERRA 3	1989 - 93	FR
	FORD SIERRA XR6	1984 - 86	FR
		1987 - 89	FR
		6/1989 - 93	FR
DDF211-1	BMW 5 SERIES 520I (E34)	1989 - 1994	FR
	BMW 5 SERIES 525I (E34)	1989 - 1996	FR
	BMW 5 SERIES 530I (E34)	1993 - 1996	FR
	BMW 5 SERIES 535I (E34)	1989 - 1994	FR
	BMW 7 SERIES 730I (E32)	1987 - 1994	FR
DDF218-1	NISSAN PATROL 3.0 V6 4X4	1990 - on	FR
	NISSAN SAFARI SAFARI 4X4	1982 - 90	FR
DDF222-1	BMW 5 SERIES 540I (E34)	1989 - 1996	FR
DDF227-1	NISSAN SENTRA ALL MODELS EXCEPT 200 STI	1992 - 07/97	FR
	NISSAN SENTRA ALL MODELS EXCEPT 200 STI & 200 GSI	08/97 - 02	FR
	NISSAN SENTRA SABRE 1.60 GX, GXI	1994 - 07/97	FR
	NISSAN SENTRA SABRE 1.60 GXI	08/97 - 99	FR
DDF246-1	LAND ROVER 90 SERIES ALL MODELS	1984 - 86	FR
		1986 - 90	FR
	LAND ROVER 90 SERIES DEFENDER - ALL MODELS	1990 - 1992	FR
	LAND ROVER 110 SERIES ALL MODELS	1983 - 1986	FR
		1986 - 1992	FR
	LAND ROVER DISCOVERY I ALL MODELS - SOLID DISC	1989 - on	FR
	RANGE ROVER I ALL MODELS	1970 - 83	FR
		1984 - 85	FR
	RANGE ROVER I VOGUE - SOLID DISC	1986 - 89	FR
DDF248-1	BMW 3 SERIES 316I W/OUT ABS (E36)	1992 - 99	FR
	BMW 3 SERIES 316I WITH ABS (E36)	1992 - 99	FR
	BMW 3 SERIES 318I (E36)	10/93 - 96	FR
DDF258-1	BMW 3 SERIES 318IS (E36)	1996 - 99	FR
	BMW 3 SERIES 318I (E46) - SEDAN & TOURING	1998 - on	FR
	BMW 3 SERIES 318TI COMPACT (E46)	2001 - on	FR
	BMW 3 SERIES 320I (E36)	1992 - 96	FR
	BMW 3 SERIES 320I (E46)	1999 - on	FR
	BMW 3 SERIES 320D (E46)	2000 - on	FR
	BMW 3 SERIES 323I (E36)	1996 - 99	FR
	BMW 3 SERIES 323CI (E46)	1999 - on	FR
	BMW 3 SERIES 323I (E46)	1999 - on	FR
	BMW 3 SERIES 325I (E36)	1992 - 95	FR
	BMW 3 SERIES 325 TDS (E36)	1996 - 99	FR
	BMW 3 SERIES 328I (E36)	1996 - 99	FR
DDF262-1	LAND ROVER 90 SERIES DEFENDER - ALL MODELS	1993 - on	FR
	LAND ROVER 90 SERIES DEFENDER 2.5 TD5	1999 - on	FR
	LAND ROVER 90 SERIES DEFENDER 2.5 TD5 - ALTERNATE	1999 - on	FR
	LAND ROVER 90 SERIES DEFENDER 2.5 TDI, 2.8I (ALL MODELS)	1996 - on	FR

BUYERS GUIDE FRONT DISCS

PART No.	APPLICATION	YEAR	FR
	LAND ROVER 90 SERIES DEFENDER 2.5 TDI, 2.8I (ALL MODELS) - ALTERNATE	1996 - on	FR
	LAND ROVER 110 SERIES DEFENDER - ALL MODELS	1993 - on	FR
	LAND ROVER 110 SERIES DEFENDER -ALL MODELS - ALTERNATE	1993 - on	FR
	LAND ROVER 130 SERIES DEFENDER (ALL MODELS)	1996 - on	FR
	LAND ROVER 130 SERIES DEFENDER (ALL MODELS) - ALTERN	1996 - on	FR
	LAND ROVER DISCOVERY I ALL MODELS - VENTILATED DISC	1989 - on	FR
	LAND ROVER DISCOVERY I 2.5 TDI, 3.9 V8 (ALL MODELS)	1995 - 02/99	FR
	RANGE ROVER I VOGUE - VENT DISC	1989 - on	FR
DDF279-1	TOYOTA CONQUEST 1300	1985 - 1998	FR
	TOYOTA CONQUEST 1600	1985 - 1988	FR
	TOYOTA COROLLA 1300 (REAR WHEEL DRIVE)	1980 - 1984	FR
	TOYOTA COROLLA 1.3 (FRONT WHEEL DRIVE)	1984 - 1988	FR
	TOYOTA COROLLA 1.6 (FRONT WHEEL DRIVE)	1984 - 1988	FR
DDF289-1	HONDA BALLADE 150I (ALTERNATE FRONT DISC)	1984 - 1989	FR
DDF311-1	AUDI 500 500 TURBO	1989 - on	FR
DDF320-1/ DDF1706-1	AUDI QUATTRO QUATTRO S2 20V 2.2	1991 - on	FR
	AUDI QUATTRO QUATTRO TURBO S6	1993 - on	FR
	AUDI QUATTRO QUATTRO TURBO S6 (ALTERNATE)	1993 - on	FR
	AUDI A4 (INCLUDING AVANT MODELS 1.8 (TURBO MODELS) - ATE CALIPER -WITHOUT WEAR SENSOR	07/97 05/99-01	FR FR
	AUDI A4 (INCLUDING AVANT MODELS 1.8 (TURBO MODELS) - ALTERNATE REAR	08/97-04/99	FR
	AUDI A4 (INCLUDING AVANT MODELS 2.4, 2.6, 2.8 (ALL MODELS) - WITH WEAR SENSOR	07/97 05/99-01	FR FR
	AUDI A4 (INCLUDING AVANT MODELS 2.4, 2.6, 2.8 (ALL MODELS) - ALTERNATE	08/97-04/99	FR
	AUDI A4 II (INCLUDING AVANT MOD 1.8T (ALL MODELS)	2001 - 2005	FR
	AUDI A4 II (INCLUDING AVANT MOD 1.9TDI	2001 - 2001	FR
	AUDI A4 II (INCLUDING AVANT MOD 2.0 (ALL MODELS)	2001 - 2005	FR
	AUDI A6 I 2.6 AVANT	95 - 98	FR
	AUDI A6 I 2.6E, 2.8E	1995 - 97	FR
	AUDI A6 II 2.4	1997 - 2003	FR
	AUDI A6 II 2.7T QUATTRO - WITH LUCAS FRONT CALIPER	2000 - 2002	FR
	AUDI A6 II 2.8 QUATTRO	1997 - 02	FR
	VW PASSAT 2.8 VR6, 2.8 V6 - ATE CALIPER - NO WEAR SENSOR	1998 - on	FR
	VW PASSAT 2.8 VR6, 2.8 V6 - ATE CALIPER - WITH WEAR SENSOR	1998 - on	FR
DDF324-1	AUDI A4 (INCLUDING AVANT MODELS 1.8 (NON TURBO) - ATE CALIPER - WITHOUT WEAR SENOR	95 - 07/97	FR
DDF332-1	VW GOLF 3 VR6 2.8	10/93 - 97	FR
	VW JETTA 3 VR6 2.8 EXEC	10/93 - 97	FR
DDF342-1	MAZDA 626 SERIES 1.8L	1983 - 1993	FR
	MAZDA 626 SERIES 2	1983 - 1986	FR
	MAZDA 626 SERIES 2.0 EGI	1987 - 1989	FR
	MAZDA 626 SERIES 2.0 SL	1989 - 1992	FR
	MAZDA 626 SERIES 2.0 SLI 16V	1989 - 92	FR
DDF347-1	TOYOTA LANDCRUISER DLX 4X4 PETROL & DIESEL	1985 - 94	FR
	TOYOTA LANDCRUISER LAND CRUISER 4X4	1984 - 88	FR
	TOYOTA LANDCRUISER LAND CRUISER V6 4X4	1989 - on	FR
	TOYOTA LANDCRUISER GX DIESEL 4.2	1993 - on	FR
	TOYOTA LANDCRUISER VX TDI 4.2	1997 - on	FR
DDF349-1	MINIBISHI L300 SERIES 1800 COMFORT WAGON & STAR WAGON	1982 - 85	FR
	MINIBISHI L300 SERIES 2.0 PICK-UP	1983 - 87	FR
	MINIBISHI L300 SERIES 2.0 SPACESTAR MINI BUS	1987 - 01	FR
	MINIBISHI L300 SERIES 2.0 STARWAGON MINI BUS & PANEL VAN	1995 - 99	FR
DDF356-1	ISUZU WFR SERIES MINI-BUS & PANEL VAN (ALL MODELS)	1987 - 95 1983 - 1989	FR FR

BUYERS GUIDE FRONT DISCS

PART No.	APPLICATION	YEAR	FR
DDF357-1	FORD COURIER BAKKIE 1600, 2000 LWB	1986 - 91	FR
	FORD COURIER BAKKIE 1800 (ALL MODELS)	1991 - 96	FR
		1997 - 00	FR
	FORD COURIER BAKKIE 2200 (ALL MODELS)	1986 - 96	FR
		1997 - 00	FR
	FORD COURIER BAKKIE 2500 4X2 (ALL MODELS)	1997 - 00	FR
	FORD COURIER BAKKIE 3000 V6 4X2	1990 - 96	FR
		1997 - 98	FR
	FORD RANGER BAKKIE ALL MODELS	00 - 09/03	FR
	FORD RANGER BAKKIE ALL MODELS - ALTERNATE	00 - 09/03	FR
	FORD RANGER BAKKIE 1800 & 2200	09/03 - on	FR
	FORD SPECTRON MINI BUS & PANEL VAN	1992 - on	FR
	MAZDA B SERIES ALL MODELS WITH LOCAL CALIPER	1983 - 85	FR
	MAZDA B SERIES B1600	1986 - 91	FR
	MAZDA B SERIES B1800 (ALL MODELS)	1986 - 96	FR
	MAZDA B SERIES B2000 (ALL MODELS)	1986 - 92	FR
	MAZDA B SERIES B2200	1986 - 96	FR
MAZDA B SERIES B3000 V6 MAGNUM	1986 - 92	FR	
MAZDA MARATHON MINI BUS & PANEL VAN	1991 - 03?	FR	
DDF364-1	FORD MONDEO 1.8I LX, TD, 2.0 CLX (ALL MODELS)	1997 - 2001	FR
	FORD MONDEO 1.8I LX, TD, 2.0 CLX (ALL MODELS) - ALTERNATE	1997 - 2001	FR
DDF366-1	CHRYSLER VOYAGER & GRAND VOYAGER 2.0, 2.5 TD (ALL MODELS)	1997 - 2001	FR
	CHRYSLER VOYAGER & GRAND VOYAGER 3.3 LX, SE	1997 - 2001	FR
DDF377-1	HONDA BALLADE 150 16V SOHC	1989 - 92	FR
	HONDA BALLADE 160I (ALTERNATE)	1987 - 89	FR
	HONDA BALLADE 160I, 160I TWIN CAM	1989 - 92	FR
DDF385-1	ISUZU KB SERIES KB230 (ALL MODELS)	1989 - 1995	FR
	ISUZU KB SERIES KB250D (ALL MODELS)	1989 - 1996	FR
		1997 - 2004	FR
	ISUZU KB SERIES KB260 (ALL MODELS)	1992 - 1996	FR
		1997 - 2004	FR
	ISUZU KB SERIES KB280DT LE 4X2 (ALL MODELS)	1993 - 1996	FR
	ISUZU KB SERIES KB280DT 4X2, 4X4 (ALL MODELS)	1997 - 2004	FR
ISUZU KB SERIES KB300TDI (ALL MODELS)	2002 - 2004	FR	
DDF389-1	HYUNDAI ACCENT 1.3 XS	1996 - 00	FR
	HYUNDAI ACCENT 1.5 CS & RS	1994 - 00	FR
	HYUNDAI ACCENT 1.5 CSI & RSI	1997 - 00	FR
DDF390-1	HYUNDAI SONATA 2.0 GL	1994 - 99	FR
	HYUNDAI SONATA 2.0 GLS	1994 - 99	FR
	HYUNDAI SONATA ALLEGRO 2.0	1998 - on	FR
	HYUNDAI SONATA VIVANTE 2.5	1998 - on	FR
	HYUNDAI SONATA 3.0 GLS V6	1994 - 96	FR
DDF407-1	TOYOTA CONQUEST 1600 RSI 16V	1986 - 1988	FR
	TOYOTA COROLLA AVANTE GLI 16V TWIN CAM	1985 - 88	FR
	TOYOTA COROLLA 1600 TWIN CAM 16V	1985 - 88	FR
DDF413-1	TOYOTA CONQUEST 1600 RSI 16V	1988 - 1993	FR
	TOYOTA COROLLA 1.6 GLI & EXEC	1988 - 93	FR
DDF416-1	TOYOTA HI-ACE 1800 PANEL VAN & WAGON	1984 - 90	FR
	TOYOTA HI-ACE 2000 SUPER CUSTOM TURBO BUS	1984 - 86	FR
	TOYOTA HI-ACE 2000 CUSTOM BUS	1984 - 87	FR
	TOYOTA HI-ACE 2000 PANEL VAN & COMMUTER 16 BUS	1984 - 87	FR
	TOYOTA HI-ACE 2000 (IMPORTED MODELS ONLY)	1990 - on	FR
	TOYOTA HI-ACE 2200 PANEL VAN & BUS (ALL MODELS)	03/93 - on	FR
		1987 - 02/93	FR
TOYOTA HILUX 1600	1984 - 87	FR	
TOYOTA HILUX 1800 S, SR	05/94 - on	FR	

BUYERS GUIDE FRONT DISCS

PART No.	APPLICATION	YEAR	FR
		1987 - 04/94	FR
	TOYOTA HILUX 1800 4X2	1998 - on	FR
	TOYOTA HILUX 2000, 2000 SRX	1984 - 87	FR
	TOYOTA HILUX 2000 4X2 (ALL MODELS)	1998 - on	FR
	TOYOTA HILUX 2200 DIESEL	1984 - 86	FR
	TOYOTA HILUX 2200, 2200 SRX	05/94 - on	FR
		1987 - 04/94	FR
	TOYOTA HILUX 2400 DIESEL	08/93 - on	FR
	TOYOTA HILUX 2400 DIESEL 4X4	08/93 - on	FR
		1989 - 07/93	FR
	TOYOTA HILUX 2400 DIESEL 4X2	1998 - on	FR
	TOYOTA HILUX 2400 S PETROL	1994 - on	FR
	TOYOTA HILUX 2400 4X4 RAIDER	1994 - on	FR
	TOYOTA HILUX 2800 (ALL MODELS)	1995 - 99	FR
DDF431-1	FORD LASER 2.0I RS	1991 - 94	FR
	FORD METEOR 2.0 GLI 1.6V	1991 - 94	FR
	MAZDA 323 SERIES 200I 1.6V, 200E	1991 - 95	FR
DDF444-1	TOYOTA HILUX 2000 4X4	1980 - 86	FR
	TOYOTA HILUX 2200 4X4	1985 - 86	FR
	TOYOTA HILUX 2200 4X4 (ALL MODELS)	1987 - 94	FR
DDF447-1	HONDA CIVIC 1.50I, 1.60I (ALL MODELS)	1996 - 2000	FR
DDF459-1	MITSUBISHI COLT PICK UP 1.600 (ALL MODELS)	1995 - 97	FR
	MITSUBISHI COLT PICK UP 2000 (ALL MODELS)	1995 - 98	FR
	MITSUBISHI COLT PICK UP 2600 LWB, HI-LINE	1995 - 1998	FR
	MITSUBISHI COLT PICK UP 2500D LWB	1995 - 1998	FR
DDF460-1	MITSUBISHI PAJERO 2.6 4X4	1989 - 91	FR
	MITSUBISHI PAJERO 2.6 4X4 (ALTERNATE)	1989 - 91	FR
	MITSUBISHI COLT PICK UP 3000 (ALL MODELS)	1995 - 97	FR
	MITSUBISHI COLT PICK UP 2500TD 4X4	1997 - 1998	FR
DDF464-1	NISSAN SANI 3000	1992 - on	FR
DDF482-1	HYUNDAI ELANTRA 1.6 GLS	1993 - 95	FR
	HYUNDAI ELANTRA 1.6 GLS - LIMITED EDITION WITH ABS	1995 - on	FR
	HYUNDAI ELANTRA 1.6 GL, GLI, GLS & S/ WAGON	1996 - on	FR
	HYUNDAI ELANTRA 1.8 GL, GLI	1994 - on	FR
	HYUNDAI ELANTRA 1.8 GLS & S/ WAGON	1996 - 00	FR
	HYUNDAI TIBURON ALL MODELS	1996 - 2003	FR
DDF492-1	HONDA CIVIC 1.60I V-TEC	1996 - 2000	FR
	HONDA CIVIC 1.70I V-TEC (ALL MODELS)	2001 - on	FR
DDF495-1	MAZDA ASTINA 180 SE	1995 - 00	FR
	MAZDA ETUDE ALL MODELS	1995 - 01/00	FR
DDF496-1	FORD TELSTAR ALL MODELS	1993 - 98	FR
	FORD TELSTAR TX-5	1993 - 98	FR
	MAZDA 626 SERIES ALL MODELS	1993 - 96	FR
	MAZDA 626 SERIES 2.0 S/WAGON	1998 - 2002	FR
	MAZDA 626 SERIES 2.0 SEDAN	1998 - 2003	FR
DDF501-1	TOYOTA CAMRY 300 SEI	1992 - 97	FR
	TOYOTA CAMRY 300 GLX	08/01 - on	FR
DDF54-1	ALFA 145 2.0 QUADRIFOGLIO	01/97 - 01	FR
DDF542-1	VW CARAVELLE 1.9	1990 - 93	FR
	VW CARAVELLE 2.1I	1990 - 93	FR
	VW CARAVELLE 2.5I	1991 - 94	FR
	VW KOMBI 1.8 BUS & PANEL VAN	1989 - 1993	FR
	VW KOMBI TRANSPORTER PANEL VAN	1986 - 90	FR
	VW MICROBUS 2.1I SYNCHRO	1989 - 93	FR
	VW MICROBUS 2.5I	1991 - 95	FR

BUYERS GUIDE FRONT DISCS

PART No.	APPLICATION	YEAR	FR	
DDF590-1	NISSAN 1800 4X4 & TRACKER - IMPORT 1800 4X4 & TRACKER - IMPORTED CALIPER	1980 - 83	FR	
	NISSAN 1800 4X4 & TRACKER - LOCAL 1800 4X4 & TRACKER - LOCAL CALIPER	1983 - 86	FR	
	NISSAN 2200 IMPORTED CALIPER 2200 IMPORTED CALIPER	1983 - 88	FR	
	NISSAN 2200 LOCAL CALIPER 2200 LOCAL CALIPER	1983 - 88	FR	
	NISSAN E20 E20 MINI - BUS & PANEL VAN (ALL MODELS)	1984 - 95	FR	
DDF596-1	TOYOTA HILUX 2700I 4X2 (ALL MODELS)	1998 - on	FR	
	TOYOTA HILUX 2700I 4X4 (ALL MODELS)	1998 - on	FR	
	TOYOTA HILUX 3000 DIESEL 4X2 (ALL MODELS)	1998 - on 2005	FR	
	TOYOTA HILUX 3000 DIESEL 4X4 (ALL MODELS)	1998 - on 2005	FR	
DDF602-1	FORD COURIER BAKKIE 3000 V6 4X4	1990 - 98	FR	
	MAZDA B SERIES B2600 4X4 PETROL	1988 - 96	FR	
DDF702-1	TOYOTA CAMRY 200I; SI; 220SI; SEI	1992 - 97	FR	
		1998 - 01	FR	
DDF716-1	NISSAN SENTRA 200 GSI	08/97 - 01	FR	
	NISSAN SENTRA 200 STI	1992 - 02	FR	
	NISSAN SENTRA SABRE 200 GXI	1994 - 97	FR	
	NISSAN SENTRA SABRE 200 GSI	08/97 - 00	FR	
DDF766-1	FORD ESCORT 1400I, 1600I GL, GLE, SPORT, 1800I	03/96 - 00	FR	
		10/95 - 2/96	FR	
	FORD ESCORT 1.4I, 1.6I, 1.8I (ALL MODELS)	03/96 - 00	FR	
	FORD FIESTA 1.4I (ALL MODELS)	1998 - 1999	FR	
		2000 - 2001	FR	
		2001 - 2003	FR	
	FORD FIESTA 1.6 RSI & SPORT	00 - 02/01	FR	
		2001 - 2003	FR	
	FORD LASER 1.3, 1.6 DASH, TRACER, TONIC	1995 - on	FR	
	FORD LASER 1.6I TRACER, SPORT	1995 - on	FR	
FORD BANTAM BAKKIE 1600I	1994 - 2002	FR		
DDF808-1	TOYOTA STALLION 1800 PICK/UP & PANEL VAN	1991 - 2000	FR	
	TOYOTA VENTURE VENTURE 1800	1991 - 00	FR	
DDF817-1	MERCEDES BENZ C-CLASS (W202 SERIES) C230 KOMPRESSOR	1996 - 00	FR	
	MERCEDES BENZ C-CLASS (W202 SERIES) C240 ELEGANCE	1998-on	FR	
	MERCEDES BENZ C-CLASS (W202 SERIES) C250 TD CLASSIC	06/97-01	FR	
		1996-05-/7	FR	
	MERCEDES BENZ C-CLASS (W202 SERIES) C280 ELEGANCE	06/97-01	FR	
	MERCEDES BENZ C-CLASS (W203 SERIES) C180 & C180K (ALL MODELS)	2000-on	FR	
	MERCEDES BENZ C-CLASS (W203 SERIES) C200K (ALL MODELS)	2000-on	FR	
	MERCEDES BENZ CLK SERIES (A208 COUPE SER CLK200 & CLK200 KOMPRESSOR	1997-on	FR	
	MERCEDES BENZ E-CLASS (W210 SERIES) E200 KOMPRESSOR	2001 - 02	FR	
	MERCEDES BENZ E-CLASS (W210 SERIES) E200 KOMPRESSOR (ALTERNATE)	2002 - 02	FR	
	MERCEDES BENZ E-CLASS (W210 SERIES) E220, E230	1996-98	FR	
	MERCEDES BENZ E-CLASS (W210 SERIES) E220, E230 (ALTERNATE)	1996-99	FR	
	MERCEDES BENZ E-CLASS (W210 SERIES) E240	1998-on	FR	
	MERCEDES BENZ SLK SERIES (R170 ROADSTER SLK200 & SLK200 COMPRESSOR	1996-on	FR	
	MERCEDES BENZ SLK SERIES (R170 ROADSTER SLK230 KOMPRESSOR	1996-on	FR	
	DDF826-1	H 100 (ALL MODELS) - ALTE H 100 (ALL MODELS) - ALT	1998-2004	FR
		HYUNDAI 1 TON BAKKIE & PANEL VAN (1 TON BAKKIE & PANEL VAN (ALL MODELS)	1997-2004	FR
HYUNDAI H 100 (ALL MODELS) H 100 (ALL MODELS)		1998-2004	FR	
DDF841-1	PEUGEOT 406 406 SI, SLI, STI, ESTATE	1996-on	FR	
	PEUGEOT 406 406 SRI 2.0, ST 2.0	1996-on	FR	
DDF888-1	FIAT PALIO & SIENA RANGE PALIO 1.2 & 1.6	1999-2003	FR	
	FIAT PALIO & SIENA RANGE SIENA 1.2 & 1.6 (ALL MODELS)	1999-2003	FR	

BUYERS GUIDE REAR DISC PADS & SHOES

PART No.	MAKE	MODEL	YEAR	RR
309	PEUGEOT	404GL	1965 - 73	RR
		504-505 504, 1800L	1976 - 77	RR
315		404; 404GL	1974 - 78	RR
370	MERCEDES BENZ	190 SERIES	1965 - 67	RR
383	AUDI 100	100 LS	1970 - 72	RR
	AUDI	80 - 90 90 SUPER	1968 - 72	RR
384	CITROEN	19	1959 - 66	RR
393	OPEL	MANTA 1600 & 1900	1971 - 76	RR
		REKORD COUPÉ	1967 - 71	RR
		REKORD SIX	1968 - 69	RR
394		KADETT	1967 - 73	RR
		KADETT - MODELS WITH DISCS	1966 - 67	RR
401	FIAT 850	850	1968 - 69	RR
			1970 - 71	RR
405	NISSAN	1600 & 1600 SSS - IMPORTED	1969 - 73	RR
410	TOYOTA	COROLLA 1200	1978 - 80	RR
		COROLLA 1600	1975 - 80	RR
			1969 - 74	RR
414	BMW	1602 & 2002	1964 - 74	RR
		1800, 2000 & 2000TI	1964 - 74	RR
		1804 & 2004	1972 - 75	RR
415	PEUGEOT	504-505 504 1800L; 2000 S/WAGON	1976 - 79	RR
424	BMW	5 SERIES 518 (E12)	1974 - 1978	RR
		5 SERIES 518 2.0L (E12)	1979 - 1981	RR
		5 SERIES 518i (E28)	1982 - 1985	RR
		5 SERIES 520 (E12)	1974 - 1979	RR
		5 SERIES 520 (6 CYL) - (?)	1979 - 1981	RR
		5 SERIES 520i (E28)	1982 - 1985	RR
429	NISSAN	200 - 370 SERIES 240C	1995 - 98	RR
431	FIAT	128	1971 - 84	RR
432	TOYOTA	CORONA 1600 - ALTERNATE	1971 - 74	RR
438	MITSUBISHI	1600 GS	1971 - 72	RR
			1973 - 78	RR
449	AUDI	100 LS, GL, COUPÉS	1973 - 76	RR
450	VW	KOMBI ALL MODELS	1973 - 79	RR
452	TOYOTA	HI-ACE 1800 PANEL VAN & WAGON	1982 - 83	RR
		HI-ACE 2000 PANEL VAN	1977 - 84	RR
		HI-ACE 2000 SUPER 10 & 16 SEATER BUS	1977 - 84	RR
		HI-ACE 2000 (IMPORTED MODELS ONLY)	1990 - on	RR
		HILUX 1600	1982 - 83	RR
		HILUX 2000, 2000 SR5	1979 - 83	RR
		HILUX 2200 DIESEL	1980 - 83	RR
453	AUDI	80 - 90 80 SERIES	1975 - 82	RR
	VW	PASSAT ALL MODELS - AUTOMATIC	1974 - 82	RR
		PASSAT ALL MODELS - MANUAL	1974 - 82	RR
454	CHEVROLET	2500, 3800 & 4100	1973 - 74	RR
456	MAZDA	616 SERIES LUCE, CAPELLA & RX2 - ALTERNATE	1971 - 79	RR
472	VW	GOLF 1 ALL MODELS	1978 - 82	RR
474	FIAT	131	1977 - 80	RR
475	PEUGEOT	504-505 504 1800L DIESEL	1978 - 79	RR
483		504-505 504 ALTERNATE	1978 - 82	RR
486	AUDI	100 100LS, GL, GL5, GLS5E	1977 - 82	RR
		400 SERIES	1987 - 91	RR
		400 SERIES - ALTERNATE 5-STUD DISC	1987 - 1991	RR

BUYERS GUIDE REAR DISC PADS & SHOES

PART No.	MAKE	MODEL	YEAR	RR		
489	VW	500 2.2	1983 - 89	RR		
		500 500E 2.2, 500SE	1983 - 92	RR		
		CITIGOLF ALL MODELS	1983 - 84	RR		
		CITIGOLF 1.3 (ALL MODELS)	1984 - on	RR		
		CITIGOLF 1.3 SHUTTLE	1992 - 97	RR		
		CITIGOLF 1.3 CHICO	1996 - 2003	RR		
		CITIGOLF 1.3 SONIC	1998 - 01	RR		
		CITIGOLF 1.4I CHICO	1999 - on	RR		
		CITIGOLF 1.4I CITI.COM	2001 - on	RR		
		CITIGOLF 1.4 CHICO	2002 - on	RR		
		CITIGOLF 1.4I VELOCITI	2004 - on	RR		
		CITIGOLF 1.4I CITI RHYTHM	2005 - on	RR		
		CITIGOLF 1.6 (ALL MODELS)	1984 - on	RR		
		CITIGOLF 1.6 BLUES, CHICO, DECO	1996 - on	RR		
		CITIGOLF 1.6 SONIC	1998 - on	RR		
		CITIGOLF 1.6I LIFE, VELOCITI	1999 - on	RR		
		CITIGOLF 1.6I VELOCITI (WITH VENTED DISCS)	1999 - on	RR		
		CITIGOLF SPORT 1.8 (ALTERNATE FRONT DISC)	1988 - 1997	RR		
		CITIGOLF SPORT 1.8	1988 - 97	RR		
		CITIGOLF CTI 1.8 (ALTERNATE FRONT DISC)	1991 - 1997	RR		
		CITIGOLF CTI 1.8	1991 - 97	RR		
		FOX FOX - ALL MODELS	1988 - 95	RR		
		GOLF 1 ALL MODELS EXCEPT GTI	1982 - 84	RR		
		GOLF 1 GTI	1982 - 85	RR		
		GOLF 2 ALL MODELS EXCEPT 1.8 GTI & 2.0 16V	1984 - 92	RR		
		JETTA 1 ALL MODELS	1979 - 82	RR		
		JETTA 1 ALL MODELS EXCEPT CLI	1982 - 84	RR		
		JETTA 1 CLI	1982 - 84	RR		
		JETTA 2 ALL MODELS EXCEPT 1.8 CLI, CSI & 16V	1984 - 92	RR		
		PASSAT ALL 5 CYL MODELS WITH VENT DISCS EXCEPT CLI	1983 - 87	RR		
		PASSAT CLI	1982 - 84	RR		
		POLO CLASSIC I 1.4I - WITH SOLID DISC	10/96 - 01/97	RR		
		POLO CLASSIC I 1.4I - WITH VENT DISC	1997 - 2002	RR		
		POLO CLASSIC I 1.6I - ALTERNATE	1996 - 2002	RR		
		POLO PLAYA 1.4I	1998 - 2002	RR		
		490	FORD	GRANADA 2.0	1978 - 85	RR
				GRANADA 2.3L	1984 - 86	RR
				GRANADA 3.0 & GHIA	1978 - 85	RR
		491	CHEVROLET	KADETT - ALL MODELS KADETT - ALL MODELS	1980 - 82	RR
				KADETT- ALL MODELS EXCEPT GTE	1980 - 85	RR
	TOYOTA	CONDOR ALL MODELS	2000 - on	RR		
		COROLLA 1300 (REAR WHEEL DRIVE)	1980 - 1984	RR		
		COROLLA 1.6 (REAR WHEEL DRIVE)	1980 - 1984	RR		
		CRESSIDA ALL MODELS EXCEPT 2.4I & 2.8I	1980 - 93	RR		
		STALLION 1.5 SR5	1988 - 1992	RR		
		STALLION 1800 PANEL VAN	2000 - 2003	RR		
		STALLION 1800 PICK/UP & PANEL VAN	1991 - 2000	RR		
		STALLION 2000 PANEL VAN	2003 - on	RR		
		STALLION 2400 PICK/UP & PANEL VAN	1995 - 2000	RR		
		VENTURE VENTURE 1800	1991 - 00	RR		
		VENTURE VENTURE 2200	03/94 - 00	RR		
		VENTURE VENTURE 2.4 DIESEL	1996 - 00	RR		
		496	VW	CARAVELLE 1.9	1990 - 93	RR
CARAVELLE 2.1I	1987 - 90			RR		
	1990 - 93			RR		

BUYERS GUIDE REAR DISC PADS & SHOES

PART No.	MAKE	MODEL	YEAR	RR
		CARAVELLE 2.5I	04/94 - 96	RR
			1991 - 94	RR
		CARAVELLE 2.6I	1995 - 02	RR
		KOMBI ALL MODELS	1979 - 90	RR
		KOMBI 1.8 BUS & PANEL VAN	1989 - 1993	RR
		KOMBI TRANSPORTER PANEL VAN	1986 - 90	RR
		MICROBUS 1.9	1983 - 89	RR
		MICROBUS 2.1I	1985 - 91	RR
		MICROBUS 2.1I SYNCHRO	1989 - 93	RR
		MICROBUS 2.3I	1995 - on	RR
		MICROBUS 2.5I	1991 - 95	RR
497	VW	MICROBUS 2.6I	1994 - on	RR
498	MAZDA	B SERIES ALL MODELS	1981 - 82	RR
501	MAZDA	323 SERIES 1.3, 1.4, 1.6 FWD	1982 - 84	RR
	TOYOTA	HILUX 2000 4X4	1980 - 86	RR
		HILUX 2200 4X4	1985 - 86	RR
		HILUX 2200 4X4 (ALL MODELS)	1987 - 94	RR
			1992 - 03/96	RR
503	VW	GOLF 3 GS, GSX, GTS (SOLID DISC)	1992 - 03/96	RR
		GOLF 3 GS, GSX, GTS (VENT DISC)	03/96 - 00	RR
		GOLF 3 GS, GSX, GTS	03/96 - 00	RR
		GOLF 3 GS, GSX, GTS (ALTERNATE)	1992 - 03/96	RR
		JETTA 3 CLX, CSL, CSX (WITH SOLID DISC)	1992 - 03/96	RR
		JETTA 3 CLX, CSL, CSX (WITH VENT DISC)	03/96 - 00	RR
		JETTA 3 CLX, CSL, CSX	03/96 - 00	RR
		JETTA 3 CLX, CSL, CSX (ALTERNATE)	10/02/1996	RR
		POLO CLASSIC I 1.6I	10/02/1996	RR
		POLO CLASSIC I 1.6I LUX , 1.8I LUX	1996 - 2002	RR
		POLO CLASSIC I 1.6I LUX , 1.8I LUX - ALTERNATE	10/02/1998	RR
		POLO PLAYA 1.6I	1998 - 2002	RR
		POLO PLAYA 1.6I - ALTERNATE	10/02/1999	RR
		POLO PLAYA 1.8I		RR
		POLO PLAYA 1.8I - ALTERNATE	1999 - 2002	RR
		GOLF P/UP GOLF PICK UP (ALL MODELS)	1985 - 2005	RR
		GOLF P/UP GOLF CADDY (ALL MODELS)	1992 - 2005	RR
		- WITH SOLID DISC		
		GOLF P/UP GOLF CADDY (ALL MODELS)	1992 - 2005	RR
		- WITH VENT DISC		
507	MITSUBISHI	PAJERO 2.6 4X4 (ALTERNATE)	1989 - 91	RR
		L300 SERIES 1600 CANTER MINI BUS & PANEL VAN	1982 - 85	RR
508	HONDA	BALLADE BALLADE	1982 - 84	RR
509	TOYOTA	LANDCRUISER DLX 4X4 PETROL & DIESEL	1985 - 94	RR
		LANDCRUISER LAND CRUISER 4X4	1984 - 88	RR
		LANDCRUISER LAND CRUISER V6 4X4	1989 - on	RR
512	NISSAN	1800 4X4 & TRACKER - IMPORT 1800 4X4 & TRACKER 1980 - 83		RR
		- IMPORTED CALIPER		
		SAFARI SAFARI 4X4	1982 - 90	RR
513	ISUZU	RELAY ALL MODELS	1989 - 95	RR
		WFR SERIES MINI-BUS & PANEL VAN (ALL MODELS)	1983 - 1989	RR
		WFR SERIES MINI-BUS & PANEL VAN	1989 - 1995	RR
	MAZDA	MARATHON MINI BUS & PANEL VAN	1991 - 03?	RR
515	AUDI	200 GLX 5E	1978 - 82	RR
516	OPEL	ASCONA 1.3 L	1982 - 1985	RR
518	MITSUBISHI	TREDIA 1.4, 1.6 & 1.8 - IMPORTED CALIPER	1983 - 86	RR
		TREDIA 1.4, 1.6 & 1.8 - LOCAL CALIPER	1983 - 86	RR

BUYERS GUIDE REAR DISC PADS & SHOES

PART No.	MAKE	MODEL	YEAR	RR	
519	BMW	TREDIA 1800 TURBO & VORTEX	1984 - 86	RR	
		3 SERIES 316 & 316i (E30)	1986 - 91	RR	
		3 SERIES 318i (E30)	1983 - 91	RR	
520	TOYOTA	CRESSIDA 2.4i	1987 - 93	RR	
	MAZDA	626 SERIES 1.6	1983 - 1989	RR	
		626 SERIES 2	1983 - 1986	RR	
521	FORD	626 SERIES 2.0 EGI	1987 - 1989	RR	
		SIERRA 1.6, 2.0 & 2.3	1983 - 86	RR	
		SIERRA 1.6 & 2.0	1987 - 93	RR	
522		SAPPHIRE 1.6, 2.0	1988 - 93	RR	
		SIERRA XR6	1984 - 86	RR	
			1987 - 89	RR	
523	OPEL	ASCONA 1.6, 1.8 (EXCLUDING 1.8 GSI)	1982 - 1987	RR	
		ASCONA 1.8 GSI	1984 - 1987	RR	
		KADETT KADETT CUB	1988 - 89	RR	
		KADETT KADETT T CAR	1985 - 89	RR	
		KADETT KADETT CUB 140 & 160	1990 - 93	RR	
		KADETT KADETT 1.8 GTE	1984 - 85	RR	
		KADETT KADETT 2.0 GSI	1987 - 89	RR	
		MONZA ALL MODELS	1986 - 89	RR	
		MONZA MONZA 160, 180 & 200	1990 - 93	RR	
		MONZA 2.0 CLi, GLi	1990 - 1993	RR	
524	SUZUKI	4X4 4X4	1983 - on	RR	
		SAMURAI SAMURAI CONVERTIBLE 4X4	1993 - on	RR	
		SAMURAI SAMURAI WAGON 4X4	1993 - on	RR	
		SJ SERIES SJ 410	1983 - 89	RR	
		SJ SERIES SJ 413	1988 - 89	RR	
525	DAIHATSU	CHARADE - LOCAL CHARADE - LOCAL	1983 - 85	RR	
		CHARADE - IMPORTED	1979 - 85	RR	
526	FORD	ESCORT XR3	1981 - 86	RR	
		ESCORT XR3i	1984 - 86	RR	
		BANTAM BAKKIE 1300	1983 - 1986	RR	
		BANTAM BAKKIE 1300 (ALTERNATE FRONT DISC)	1983 - 1986	RR	
		BANTAM BAKKIE 1400	1986 - 1993	RR	
		BANTAM BAKKIE 1400 (ALTERNATE FRONT DISC)	1986 - 1993	RR	
		BANTAM BAKKIE 1600	1984 - 1993	RR	
		MAZDA	RUSTLER 1400	1985 - 1993	RR
			RUSTLER 1600	1985 - 1993	RR
		528	NISSAN	LANGLEY ALL MODELS - IMPORTED CALIPER	1983 - 87
532	TOYOTA	CONQUEST 1300	1985 - 1998	RR	
			1988 - 1993	RR	
		CONQUEST 130, 130 SPORT	1993 - 01	RR	
		CONQUEST 130 TAZZ, ZIP	1996 - on	RR	
		CONQUEST 1600	1985 - 1988	RR	
			1988 - 1993	RR	
		CONQUEST 1600 RSI 16V	1986 - 1988	RR	
		CONQUEST 160i SPORT, 160i RS	1993 - 1998	RR	
		CONQUEST 160i RSE	1998 - 01	RR	
		COROLLA AVANTE - ALL MODELS EXCEPT 16V	1984 - 88	RR	
		COROLLA AVANTE GLI 16V TWIN CAM	1985 - 88	RR	
		COROLLA 1.3 (FRONT WHEEL DRIVE)	1984 - 1988	RR	
		COROLLA 1.3	1988 - 1992	RR	
		COROLLA 130 (ALL MODELS)	1993 - 02	RR	
		COROLLA 1.6 (FRONT WHEEL DRIVE)	1984 - 1988	RR	
		COROLLA 1.6	1984 - 88	RR	

BUYERS GUIDE REAR DISC PADS & SHOES

PART No.	MAKE	MODEL	YEAR	RR
		COROLLA 1600 TWIN CAM 16V	1985 - 88	RR
		COROLLA 1.6 GL , GLS & GLX	1988 - 93	RR
		COROLLA 1.6 GLI & EXEC	1988 - 93	RR
		COROLLA 1.6 GLE	1992 - 94	RR
		COROLLA 160I GL , GLE	04/98 - 07/01	RR
			1993 - 04/98	RR
			2001 - 2002	RR
		COROLLA 180I GL	1993 - 94	RR
		COROLLA 180I GSE	1993 - 98	RR
		COROLLA 180I GLE	04/98 - 07/01	RR
			07/01 - on	RR
			1993 - 04/98	RR
		COROLLA SPRINTER 130, 160I, 180I	1993 - 97	RR
		CONQUEST CARRI PANEL VAN	1998 - 00	RR
533	NISSAN	1800 4X4 & TRACKER - LOCAL CALIPER	1983 - 86	RR
534	ALFA	33 ALL MODELS	1983 - 85	RR
		33 ALL MODELS - (ALTERNATE)	1983 - 85	RR
536	HONDA	BALLADE 130	1984 - 89	RR
		BALLADE 150, 150I	1984 - 1989	RR
		BALLADE 150 16V SOHC	1989 - 92	RR
		BALLADE 150I (ALTERNATE FRONT DISC)	1984 - 1989	RR
		BALLADE 160I	1984 - 89	RR
537	FORD	LASER ALL MODELS EXCEPT TX3 & 1600I SPORT	1986 - 95	RR
		LASER IMPORTED MODELS	1986 - on	RR
		LASER 1.3, 1.6 DASH, TRACER, TONIC	1995 - on	RR
		METEOR ALL EXCEPT 1600 GLI & 2.0 GLE & GLI	1986 - 95	RR
		BANTAM BAKKIE ALL MODELS EXCEPT 1600I	1994 - 1999	RR
		BANTAM BAKKIE 1600I	1994 - 2002	RR
		BANTAM BAKKIE 1600I (ALTERNATE FRONT DISC)	1994 - 2002	RR
	MAZDA	323 SERIES 1.3, 1.5	1985 - 91	RR
		323 SERIES 130 MIDGE & STING	1995 - on	RR
		323 SERIES 160 MIDGE	1995 - 99	RR
		626 SERIES 1.8L	1983 - 1993	RR
		626 SERIES 2.0 SL	1989 - 1992	RR
		626 SERIES 2.0 SEDAN	1998 - 2003	RR
		RUSTLER 1300	1994 - 2002	RR
		RUSTLER 1600	1994 - 2002	RR
538	FORD	COURIER BAKKIE 1600, 2000 LWB	1986 - 91	RR
		COURIER BAKKIE 1800 (ALL MODELS)	1991 - 96	RR
		COURIER BAKKIE 2200 (ALL MODELS)	1986 - 96	RR
			1997 - 00	RR
		COURIER BAKKIE 2500 4X2 (ALL MODELS)	1997 - 00	RR
		COURIER BAKKIE 2500 4X4 (ALL MODELS)	1997 - 00	RR
		COURIER BAKKIE 3000 V6 4X2	1990 - 96	RR
			1997 - 98	RR
		COURIER BAKKIE 3000 V6 4X4	1990 - 98	RR
		COURIER BAKKIE 3400 4X2	1997 - 00	RR
		COURIER BAKKIE 3400 4X4	1997 - 00	RR
		RANGER BAKKIE 1800 & 2200	09/03 - on	RR
	MAZDA	B SERIES B1600	1986 - 91	RR
		B SERIES B1800 (ALL MODELS)	1986 - 96	RR
			1997 - 00	RR
		B SERIES B2000 (ALL MODELS)	1986 - 92	RR
		B SERIES B2200	1986 - 96	RR
			1997 - 00	RR

BUYERS GUIDE REAR DISC PADS & SHOES

PART No.	MAKE	MODEL	YEAR	RR
		B SERIES B2200 DRIFTER	1991 - 96	RR
		B SERIES B2500 TD 4X4, DOUBLE CAB 4X4	97 - 02/00	RR
		B SERIES B2500, B2500 TD 4X2	1997 - 00	RR
		B SERIES B2600 4X4 PETROL	1988 - 96	RR
		B SERIES B3000 DRIFTER & DOUBLE CAB 4X4	1993 - 98	RR
		B SERIES B3000 V6 MAGNUM	1986 - 92	RR
		DRIFTER SERIES (ALL MODELS)	03/00 - on	RR
539	HONDA	BALLADE 160I (ALTERNATE)	1987 - 89	RR
544	FORD	SAPPHIRE 3.0 LX	1989 - 93	RR
545	FIAT	UNO RANGE FIRE 1100	1990 - 99	RR
		UNO RANGE PACER 1400 & 1400 SX	1990 - 99	RR
		UNO RANGE BEAT	1996 - 98	RR
		UNO RANGE CENTO 1000	1996 - 98	RR
		UNO RANGE FIRE RIO 1100	1996 - 99	RR
		UNO RANGE TEMPO 1100	1998 - 00	RR
		UNO RANGE MIA 1100 & 1400	1998 - on	RR
		UNO EXPRESSO PANEL VAN	1992 - 96	RR
547	ALFA	33 1.7I BOXER & SPORTWAGON	1993 - on	RR
	TOYOTA	CAMRY 200I; SI; 220SI; SEI	1992 - 97	RR
550	FORD	SPECTRON MINI BUS & PANEL VAN	1992 - on	RR
551	NISSAN	SENTRA ALL MODELS EXCEPT 200 STI	1992 - 07/97	RR
		SENTRA ALL MODELS EXCEPT 200 STI & 200 GSI	08/97 - 02	RR
		SENTRA SABRE 160 GX, GXI	1994 - 07/97	RR
		SENTRA SABRE 160 GXI	08/97 - 99	RR
552	BMW	3 SERIES 316I W/OUT ABS (E36)	1992 - 99	RR
553	NISSAN	PATROL 3.0 V6 4X4	1990 - on	RR
557	OPEL	ASTRA 140; 160I; 160IS	1993 - 98	RR
		ASTRA 160I ESTATE	1994 - 98	RR
		ASTRA EURO 160I	1998 - 2000	RR
		ASTRA EURO 160I ESTATE	1998 - 2000	RR
		ASTRA EURO 200I	1998 - 2000	RR
		CORSA 1.4I, IS	2000 - 04	RR
		CORSA 1.4I CD	2001 - 04	RR
		CORSA 1.4I LITE, LITE PLUS	2001 - 2005	RR
		CORSA 1.4I ACTIVE	2002 - 04	RR
		CORSA 1.4I CHILL LTD	2002 - 04	RR
		CORSA 1.4 IS - ALTERNATE	2003 - on	RR
		CORSA 1.4 LITE SPORT	2003 - on	RR
		CORSA 1.4I LITE (ALL MODELS)	2006 - on	RR
		CORSA 160I, 160IS	1998 - 04	RR
		CORSA 160 GSI	1999 - 02	RR
		CORSA 160IE	1999 - 02	RR
		CORSA 140I	2000 - 02	RR
		CORSA 140I LITE	2000 - 02	RR
		CORSA 1.6I CD, CDE, CDX	2000 - 04	RR
		KADETT KADETT 140; 160I	1993 - 1999	RR
		KADETT KADETT 160IS	1993 - 1999	RR
		KADETT EURO 160I	06/98 - 00	RR
		CORSA CORSA UTILITY 140I	08/04/2000	RR
		CORSA CORSA UTILITY 160I	1997 - 03	RR
		CORSA CORSA UTILITY 160IS	08/04/1998	RR
		CORSA CORSA UTILITY 170D	08/04/1998	RR
558	HYUNDAI	SCOUPE SCOUPE	1993 - 95	RR
559	HYUNDAI	SONATA 2.0 GL	1994 - 99	RR
560	HYUNDAI	ELANTRA 1.6 GLS	1993 - 95	RR

BUYERS GUIDE REAR DISC PADS & SHOES

PART No.	MAKE	MODEL	YEAR	RR
		ELANTRA 1.6 GL, GLI, GLS & S/ WAGON	1996 - on	RR
561	LADA	NIVA 4X4	1987 - on	RR
562	DACIA	CRISTAL STATION WAGON	1996 - on	RR
		ELAN BAKKIE	1996 - on	RR
		MAGIC DOUBLE CAB	1996 - on	RR
565	FORD	ESCORT 1400I, 1600I GL, GLE, SPORT, 1800I	03/96 - 00	RR
			10/95 - 2/96	RR
		ESCORT 1.4I, 1.6I, 1.8I (ALL MODELS)	03/96 - 00	RR
567	JEEP	CHEROKEE 2.5 TD (ALL MODELS)	1994 - 96	RR
		WRANGLER ALL MODELS	1990 - 96	RR
568	H 100	H 100 (ALL MODELS) - ALT	1998 - 2004	RR
569	DAEWOO	CIELO 1.5 GL, 150IL	1996 - 98	RR
		CIELO 1.5 GL, 150IL (ATE ALTERNATE)	1996 - 98	RR
		CIELO 1.5 GLX, GTX	1996 - 98	RR
		CIELO 1.5 GLX, GTX (ATE ALTERNATE)	1996 - 98	RR
		ESPERO 1.8 CD, 2.0 CD	1996 - 98	RR
		ESPERO 1.8 CD, 2.0 CD (ATE ALTERNATE)	1996 - 98	RR
570	HYUNDAI	1 TON BAKKIE & PANEL VAN (ALL MODELS)	1997 - 2004	RR
		H 100 (ALL MODELS)	1998 - 2004	RR
571	OPEL	CORSA 130I LITE	1996 - 01	RR
		CORSA 130I, 130IS	1996 - 01	RR
		CORSA 130IE	1997 - 00	RR
		CORSA CORSA PRONTO 130I P/UP	1998 - 02	RR
		CORSA CORSA PANEL VAN 130I	1998 - 01	RR
		CORSA CORSA UTILITY 130I,	1997 - 02	RR
574	CHRYSLER	NEON 1.8 & 2.0 LE & SE	1996 - 98	RR
575	FORD	FIESTA 1.3I (ALL MODELS)	1997 - 1999	RR
			2000 - 2001	RR
			2001 - 2004	RR
	FORD	FIESTA 1.4I (ALL MODELS)	1998 - 1999	RR
			2000 - 2001	RR
			2001 - 2003	RR
		FIESTA 1.6 RSI & SPORT	00 - 02/01	RR
			2001 - 2003	RR
		IKON ALL MODELS	03/01 - on	RR
	MAZDA	SOHO 1.3I	1997 - 98	RR
		SOHO 1.4I	1998 - 99	RR
			2000 - on	RR
577	TOYOTA	RAV 4 ALL MODELS	1995 - 10/00	RR
578	BMW	5 SERIES 525I (E34)	1989 - 1996	RR
	HYUNDAI	ACCENT 1.3 XS	1996 - 00	RR
		ACCENT 1.5 CS & RS	1994 - 00	RR
		ACCENT 1.5 CSI & RSI	1997 - 00	RR
		ACCENT ALL MODELS	2000 - 2005	RR
583	FORD	BANTAM BAKKIE ALL MODELS EXCEPT 1600I	2000 - 2002	RR
584	FORD	MONDEO 1.8I LX, TD, 2.0 CLX (ALL MODELS)	1997 - 2001	RR
		MONDEO 1.8I LX, TD, 2.0 CLX (ALL MODELS) - ALT	1997 - 2001	RR
585	CHRYSLER	VOYAGER & GRAND VOYAGER 2.0, 2.5 TD (ALL MODELS)	1997 - 2001	RR
		VOYAGER & GRAND VOYAGER 3.3 GRAND LE, SE	1997 - 2001	RR
		VOYAGER & GRAND VOYAGER 3.3 LX, SE	1997 - 2001	RR
586	SUZUKI	VITARA 1.6	1994 - 98	RR
		VITARA 1.6 (ALTERNATE 2)	1997 - 98	RR
		VITARA 2.0 V6	1995 - 99	RR
		VITARA 2.0 V6 (ALTERNATE 2)	1997 - 99	RR

BUYERS GUIDE REAR DISC PADS & SHOES

PART No.	MAKE	MODEL	YEAR	RR
588	RENAULT	MEGANE 1.6 8V CABRIOLET	1996 - 99	RR
		MEGANE 1.6 RN HATCHBACK	1996 - 99	RR
		MEGANE 1.6 RT CLASSIC & HATCHBACK	1996 - 99	RR
		MEGANE 1.6E RT COUPE	1996 - 99	RR
		MEGANE 1.6 RXE, RXT 1.6V (ALL MODELS)	08/99 - 03	RR
		MEGANE 2.0 8V COUPE	1996 - 99	RR
		MEGANE 2.0 RXE CLASSIC & HATCHBACK	1996 - 99	RR
589	KIA	PRIDE LX 1.323I	1998 - on	RR
590	DAIHATSU	FEROZA 4X4	1997 - 99	RR
		4X4 ROCKY 2.7 4X4	1997 - on	RR
591	KIA	SPORTAGE 2.0 4X4	1995 - 1998	RR
592	JEEP	WRANGLER ALL MODELS	1997 - on	RR
593	DAEWOO	LANOS 1.35IS	1998 - 00	RR
		LANOS 1.35IS (ATE ALTERNATE)	1998 - 00	RR
		LANOS 1.6 GTR	1998 - 99	RR
		LANOS 1.6 GTR (ATE ALTERNATE)	1998 - 99	RR
		LANOS 1.6 SX	1997 - 00	RR
		LANOS 1.6 SX (ATE ALTERNATE)	1997 - 00	RR
		LANOS II 1.4 (ALL MODELS)	2000 - on	RR
		LANOS II 1.6 (ALL MODELS)	2000 - on	RR
		NUBIRA 1.6 SX	1997 - 00	RR
		NUBIRA 1.6 SX (ATE ALTERNATE)	1997 - 00	RR
		NUBIRA II 1.6 SX	2000 - on	RR
NUBIRA II 2.0 (ALL MODELS)	2000 - on	RR		
594	DAIHATSU	CUORE	1997 - 98	RR
		MOVE	1997 - 00	RR
		MOVE PANEL VAN	1997 - on	RR
595	KIA	SEPHIA 1.5I RS & LS	1998 - 00	RR
597	HONDA	CR-V, CRX, HR-V CR-V	1996 - on	RR
604	TOYOTA	HILUX 2000 4X2 (ALL MODELS)	1998 - on	RR
		HILUX 2400 DIESEL 4X2	1998 - on	RR
		HILUX 2700I 4X2 (ALL MODELS)	1998 - on	RR
		HILUX 2700I 4X4 (ALL MODELS)	1998 - on	RR
		HILUX 3000 DIESEL 4X2 (ALL MODELS)	1998 - on 2005	RR
		HILUX 3000 DIESEL 4X4 (ALL MODELS)	1998 - on 2005	RR
605	FIAT	PALIO & SIENA RANGE PALIO 1.2 & 1.6	1999 - 2003	RR
		PALIO & SIENA RANGE PALIO 1.6 WEEKEND	1999 - 2003	RR
		PALIO & SIENA RANGE SIENA 1.2 & 1.6 ALL MODELS)	1999 - 2003	RR
613	CHEVROLET	SPARK 0.8, 1.0	2003 - on	RR
	DAEWOO	MATIZ ALL MODELS	1998 - on	RR
620	SUZUKI	MATIZ II ALL MODELS	09/02 - on	RR
		VITARA GRAND 1.6 , 2.0	03/99 - 10/05	RR
		VITARA GRAND 2.5 V6	03/99 - on	RR
		VITARA GRAND 2.7 V6	2001 - on	RR
623	OPEL	ASTRA 1.6 CD, CDE & CS	10/99 - on	RR
630	FORD	RANGER BAKKIE ALL MODELS	00 - 09/03	RR
632	FORD	RANGER BAKKIE ALL MODELS - ALTERNATE	00 - 09/03	RR
633	NISSAN	ALMERA 160 (ALL MODELS)	2001 - on	RR
		ALMERA 180 LUX	2001 - on	RR
708	TRIUMPH	HERALD 1250	1963 - 67	RR
		SPITFIRE MK2	1965 - 68	RR
709	MINI	MINI COOPER	1961 - 63	RR
			1963 - 69	RR
		MINI COOPER "S"	1963 - on	RR
		MINI COOPER 1.6	2003-on	RR

BUYERS GUIDE REAR DISC PADS & SHOES

PART No.	MAKE	MODEL	YEAR	RR	
711	FORD NISSAN	MINI GTS - S.A. 10" WHEELS	1970 - on	RR	
		MINI GTS - S.A. 12" WHEELS	1970 - on	RR	
		WESTMINISTER ALL MODELS	1964 - 67	RR	
		ESCORT ALL OTHER MODELS	1981 - 86	RR	
		EXA 1500	1983 - 87	RR	
		LANGLEY ALL MODELS - LOCAL CALIPER	1983 - 88	RR	
		PULSAR 1300S & 1500 GL	1983 - 87	RR	
		SENTRA ALL MODELS EXCEPT 1.6 GXEI & 1.8i 16V	1987 - 92	RR	
		SENTRA ALL EXCEPT 1.6 GXEI & 1.8i 16V (ALTERNATE DISC)	1987 - 1992	RR	
		SENTRA 1.3	1987 - 1992	RR	
732	FORD	ESCORT 1.3 GT	1968 - 70	RR	
		ESCORT 1.3L & SUPER	1968 - 75	RR	
		ESCORT 1.6 GT	1970 - 72	RR	
		ESCORT 1.6L & XL	1970 - 75	RR	
	NISSAN	120 & 1200 SERIES 120 & 1200GX	1972 - 75	RR	
		120 & 1200 SERIES 120Y, DL & SDX	1975 - 80	RR	
		1400 1400 P/ UP	1986 - 87	RR	
			1988 - on	RR	
735	VAUXHAUL	VELOX CRESTA 2.6	1964 - 65	RR	
736	APACHE	APACHE 1100 & 11/55	1963 - 70	RR	
		AUSTIN/MORRIS 1100, 11/55	1965 - 72	RR	
		MG 1100	1965 - 69	RR	
		WOLSELEY & APACHE 11/55	1971 - 76	RR	
		WOLSELEY 1100 & 11/55	1963 - 70	RR	
		WOLSELEY 1300 & MK 2	1968 - 80	RR	
738	CHEVROLET	FIRENZA 1.2	1972 - 75	RR	
739	FORD	CORTINA 1200, 1300 & 1500	1965 - 71	RR	
	FORD	CORTINA SUPER	1967 - 71	RR	
740	MAZDA	616 SERIES LUCE, CAPELLA & RX2	1971 - 79	RR	
741	MARINA	1.3 & 1.8	1973 - 75	RR	
742	FORD	ESCORT PANELVAN	1975 - 81	RR	
761	AUSTIN	1800	1966 - 73	RR	
		WOLSELEY 1800 & MK 12	1965 - 69	RR	
	HILLMAN	AVENGER 1300	1974 - 78	RR	
		AVENGER 1600	1974 - 78	RR	
		HUNTER VOGUE	1972 - 77	RR	
	NISSAN	140 SERIES ALL MODELS	1975 - 80	RR	
		160 & 1600 SERIES 1600 & 1600 SSS - LOCAL	1969 - 73	RR	
		160 & 1600 SERIES 160U - ALL MODELS	1974 - 78	RR	
		160 & 1600 SERIES 160Y	1978 - 80	RR	
		180 & 1800 SERIES 1800 - ALL MODELS	1978 - 80	RR	
		1400 1400 PANEL VAN	1980 - 83	RR	
		1400 1400 P/ UP	1980 - 85	RR	
	778	CHEVROLET	ASCONA	1978 - 82	RR
			HATCH 1900	1975 - 78	RR
NOMAD			1976 - 80	RR	
FORD		CAPRI ALL MODELS	1969 - 70	RR	
		CORTINA GT	1967 - 71	RR	
		COSAIR ALL MODELS	1966 - 68	RR	
NISSAN		160 & 1600 SERIES 1600 - ALL MODELS	1978 - 80	RR	
		160 & 1600 SERIES 160Z	1978 - 80	RR	
		180 & 1800 SERIES 180U - ALL MODELS	1974 - 78	RR	
		200 - 370 SERIES 200L & 280 SERIES	1978 - 80	RR	
781	HILLMAN	HUNTER ARROW W/OUT SERVO	1967 - 69	RR	

BUYERS GUIDE REAR DISC PADS & SHOES

PART No.	MAKE	MODEL	YEAR	RR
		MINX SUPER MINX	1965 - 67	RR
	VAUXHAUL	VELOX CRESTA 3.3	1966 - 68	RR
787	HILLMAN	HUNTER ARROW & VOGUE	1969 - 72	RR
789	FORD	CAPRI ALL MODELS	1970 - 73	RR
790	CHEVROLET	FIRENZA 1.2 & 2.5 FIRENZA 1.2 & 2.5	1971 - 73	RR
		FIRENZA 2.5SL FIRENZA 2.5SL	1973 - 75	RR
		HATCH 1300 HATCH 1300	1975 - 78	RR
	VAUXHAUL	VIVA HC	1970 - 72	RR
792	CHEVAIR	ALL MODELS	1976 - 82	RR
	FORD	CORTINA 2.0 GT	1971 - 73	RR
		CORTINA 1.6 & L, 2.0L & XL	1971 - 77	RR
		CORTINA MK3 2.5 & 3.0 V6	1972 - 77	RR
		CORTINA 1.6G ; GL ; 2.0 GL ; GLE	1977 - 80	RR
		CORTINA 1.3L	1978 - 80	RR
		CORTINA 3.0 GL	1979 - 80	RR
		CORTINA 1.3L ; 1.6L & GL	1980 - 83	RR
		CORTINA 2.0 GL & GHIA	1980 - 83	RR
		CORTINA 3.0 GLS S/WAGON	1980 - 84	RR
		CORTINA BAKKIE CORTINA BAKKIE 1.6, 2.0 & 2.5	1971 - 77	RR
793	CHEVROLET	2500, 3800 & 4100	1974 - 78	RR
		REKORD & COMMODORE - ALL MODELS	1978 - 82	RR
	FORD	CORTINA GHIA & 3.0S	1977 - 80	RR
		GRANADA 2.5 & 3.0 GHIA	1973 - 78	RR
		CORTINA BAKKIE 1.6	1977 - 86	RR
	OPEL	COMMODORE 2.8	1982 - 83	RR
		REKORD - ALL MODELS	1982 - 91	RR
		REKORD 200I	1991 - 95	RR
	PROTON	ALL OTHER MODELS WITH DISCS	1970 - 76	RR
794	MITSUBISHI	1600 GL & 2000 GS	1976 - 77	RR
		GALANT - IMPORTED CALIPER	1977 - 84	RR
		GALANT - LOCAL CALIPER	1977 - 84	RR
		GALANT 2.6	1977 - 84	RR
	FORD	ESCORT 1.3L & 1.6 GL	1975 - 81	RR
		ESCORT RS 2000	1978 - 80	RR
		ESCORT 1600 SPORT	1979 - 81	RR
810	WESTMINISTER	ALL MODELS	1968 - 79	RR
		WOLSELEY 6-110	1964 - 67	RR
811	CHEVROLET	CAPRICE CLASSIC	1976 - 80	RR
		CONSTANTIA & KOMMANDO	1969 - 72	RR
		KOMMANDO & CONSTANTIA	1973 - 78	RR
	HILLMAN	KINGSWOOD, PREMIER & MONARO	1968 - 71	RR
814	HUSKY	HUSKY	1974 - 78	RR
	CHEVROLET	DE VILLE	1972 - 75	RR
		EL CAMINO	1972 - 78	RR
		EL TORO	1973 - 78	RR
818	MGB	MGB	1966 - 72	RR
819	FORD	CORTINA XR6	1980 - 83	RR
		BRAVO MINI BUS	1995 - on	RR
		CORTINA BAKKIE 3.0	1977 - 86	RR
		CORTINA BAKKIE 2.4 DIESEL	1982 - 85	RR
		MINI BUS , PANEL VAN & PICK/UP	1985 - 97	RR
	ISUZU	FRONTIER 280 DT	1997 - 2003	RR
		FRONTIER 320 V6	1997 - 2003	RR
		KB SERIES ALL MODELS	1979 - 1981	RR
			1981 - 83	RR

BUYERS GUIDE REAR DISC PADS & SHOES

PART No.	MAKE	MODEL	YEAR	RR
			1983 - 1989	RR
			1989 - 93	RR
			1994 - on	RR
		KB SERIES KB160 (ALL MODELS)	1989 - 1995	RR
		KB SERIES KB200 (ALL MODELS)	1994 - 2004	RR
		KB SERIES KB220 (ALL MODELS)	1994 - 2004	RR
		KB SERIES KB230 (ALL MODELS)	1989 - 1995	RR
		KB SERIES KB250D (ALL MODELS)	1989 - 1996	RR
			1997 - 2004	RR
		KB SERIES KB260 (ALL MODELS)	1992 - 1996	RR
			1997 - 2004	RR
		KB SERIES KB280DT 4X4 & LE 4X4 (ALL MODELS)	1993 - 1996	RR
		KB SERIES KB280DT LE 4X2 (ALL MODELS)	1993 - 1996	RR
		KB SERIES KB280DT 4X2, 4X4 (ALL MODELS)	1997 - 2004	RR
		KB SERIES KB300TDI (ALL MODELS)	2002 - 2004	RR
		KB SERIES KB320LX (ALL MODELS)	1998 - 2004	RR
MAZDA		B SERIES ALL MODELS WITH IMPORTED CALIPER	1983 - 85	RR
		B SERIES ALL MODELS WITH LOCAL CALIPER	1983 - 85	RR
MITSUBISHI		1800 P/V & DS	1983 - on	RR
		COLT PICK UP 1600 (ALL MODELS)	1995 - 97	RR
		COLT PICK UP 2000 (ALL MODELS)	1995 - 98	RR
		COLT PICK UP 2000I & 2.0I (ALL MODELS)	09/98 - on	RR
		COLT PICK UP 2400I LWB 4X4	1998 - on	RR
		COLT PICK UP 2400I LWB, HI-LINE	1998 - on	RR
		COLT PICK UP 2500 (ALL MODELS)	1995 - 09/98	RR
		COLT PICK UP 2600 LWB, HI-LINE	1995 - 1998	RR
		COLT PICK UP 3000 (ALL MODELS)	1995 - 97	RR
		COLT PICK UP 3000I 4X4 D/CAB RODEO	09/98 - on	RR
		COLT PICK UP 2500D LWB	1995 - 1998	RR
		COLT PICK UP 2500D LWB, HI-LINE	1998 - 1999	RR
		COLT PICK UP 2500TD 4X4	1997 - 1998	RR
		COLT PICK UP 2.8 D & 2.8 TDI 4X2 (ALL MODELS)	06/99 - on	RR
		300 SERIES 1800 COMFORT WAGON & STAR WAGON	1983 - 87	RR
		L300 SERIES 2.0 PICK-UP	1987 - 01	RR
		L300 SERIES 2.0 SPACESTAR MINI BUS	1995 - 99	RR
		L300 SERIES 2.0 STARWAGON MINI BUS & PANEL VAN	1987 - 95	RR
NISSAN		1 TONNER & 1 TONNER HARDBOD 1600	1988 - 99	RR
		1 TONNER & 1 TONNER HARDBOD 1800	1988 - 95	RR
		TONNER & 1 TONNER HARDBOD 2.0 4X2 (ALL MODELS)	05/99 - 02/02	RR
		1 TONNER & 1 TONNER HARDBOD 2.4I 4X2, 4X4 (ALL MODELS)	05/99 - 02/02	RR
		1 TONNER & 1 TONNER HARDBOD 2000 4X2 (ALL MODELS)	1995 - 02	RR
		1 TONNER & 1 TONNER HARDBOD 2.7D 4X2	05/99 - 02/02	RR
		1 TONNER & 1 TONNER HARDBOD 2400 4X2 (ALL MODELS EXCEPT HI-RIDER)	1988 - 99	RR
		1 TONNER & 1 TONNER HARDBOD 2400 4X2 HI-RIDER & HI-RIDER SANI	1990 - 99	RR
		1 TONNER & 1 TONNER HARDBOD 2400 4X4 (ALL MODELS INCLUDING SANI)	1990 - 99	RR
		1 TONNER & 1 TONNER HARDBOD 2500 4X2 HI-RIDER	1990 - 97	RR
		1 TONNER & 1 TONNER HARDBOD 2500 DIESEL	1988 - 96	RR
		1 TONNER & 1 TONNER HARDBOD 2700 4X2 (ALL MODELS EXCEPT HI-RIDER)	1995 - 02	RR
		1 TONNER & 1 TONNER HARDBOD 2700 4X2 HI-RIDER	1995 - on	RR
		1 TONNER & 1 TONNER HARDBOD 2700 4X4 (ALL MODELS)	1990 - on	RR
		1 TONNER & 1 TONNER HARDBOD 2700TD 4X2	1995 - 1999	RR

BUYERS GUIDE REAR DISC PADS & SHOES

PART No.	MAKE	MODEL	YEAR	RR
		1 TONNER & 1 TONNER HARDBOD 2700TD 4X4	1995 - 1999	RR
		1 TONNER & 1 TONNER HARDBOD 3.0I 4X2, 4X4 (ALL MODELS)	05/99 - on	RR
		1 TONNER & 1 TONNER HARDBOD 3.2D 4X2, 4X4 (ALL MODELS)	05/99 - on	RR
		1 TONNER & 1 TONNER HARDBOD 3000 4X2 & 4X4 (ALL MODELS)	1990 - 99	RR
		2200 IMPORTED CALIPER	1983 - 88	RR
		2200 LOCAL CALIPER	1983 - 88	RR
		2300 2300	1985 - 88	RR
	NISSAN	E20 MINI - BUS & PANEL VAN (ALL MODELS)	1984 - 95	RR
		SANI 2400	1992 - on	RR
		SANI 2700 DT	1992 - on	RR
		SANI 3000	1992 - on	RR
	TOYOTA	HI-ACE 1800 PANEL VAN & WAGON	1984 - 90	RR
		HI-ACE 2000 SUPER CUSTOM TURBO BUS	1984 - 86	RR
		HI-ACE 2000 CUSTOM BUS	1984 - 87	RR
		HI-ACE 2000 PANEL VAN & COMMUTER 16 BUS	1984 - 87	RR
		HI-ACE 2200 PANEL VAN & BUS (ALL MODELS)	03/93 - on	RR
			1987 - 02/93	RR
		HILUX 1600	1984 - 87	RR
		HILUX 1800 S, SR	05/94 - on	RR
			1987 - 04/94	RR
		HILUX 1800 4X2	1998 - on	RR
		HILUX 2000, 2000 SRX	1984 - 87	RR
		HILUX 2200 DIESEL	1984 - 86	RR
		HILUX 2200, 2200 SRX	05/94 - on	RR
			1987 - 04/94	RR
		HILUX 2400 DIESEL	08/93 - on	RR
			1985 - 07/93	RR
		HILUX 2400 DIESEL 4X4	08/93 - on	RR
			1989 - 07/93	RR
		HILUX 2400 S PETROL	1994 - on	RR
		HILUX 2400 4X4 RAIDER	1994 - on	RR
		HILUX 2800 (ALL MODELS)	1995 - 99	RR
838	LAND ROVER	90 SERIES ALL MODELS	1986 - 90	RR
		90 SERIES DEFENDER - ALL MODELS	1990 - 1992	RR
		110 SERIES ALL MODELS	1983 - 1986	RR
			1986 - 1992	RR
854	LAND ROVER	90 SERIES ALL MODELS	1972 - 83	RR
			1984 - 86	RR
2038/10	CHRYSLER	JEEP CJ7	1977 - 79	RR
2042/320B	CHEVROLET	C30	1973 - 75	RR
			1976 - 77	RR
2073/248B	CHEVROLET C10	C10	1974 - 80	RR
		C20	1974 - 80	RR
		CS10 & CS20	1969 - 73	RR
2075/333	DODGE	D 100 & D 200	1975 - 80	RR
2089/333	DODGE	383	1969 - 74	RR
		CHARGER	1972 - 75	RR
2092/154	FORD	RANCHERO	1971 - 76	RR
2093T/151	FORD	FAIRLANE V8	1968 - 72	RR
		FAIRLANE 500	1965 - 72	RR
			1972 - 76	RR
		FAIRMONT	1969 - 72	RR
		FAIRMONT GT	1970 - 73	RR

BUYERS GUIDE REAR DISC PADS & SHOES

PART No.	MAKE	MODEL	YEAR	RR
2121/263	FORD	GALAXIE - LOCAL	1968 - on	RR
2121T/263	FORD	FAIRLANE V8	1962 - 74	RR
		GALAXIE - IMPORTED	1968 - on	RR
2126T/114	DODGE	SE & AVENGER	1973 - 78	RR
2126T/286	CHRYSLER	VALIANT RUSTLER	1972 - 78	RR
2131/316B	FORD	F SERIES F 250	1966 - 81	RR
2141/263	FORD	F SERIES F 100	1974 - 81	RR
413/740	MAZDA	323 SERIES 1.3, 1.4, 1.6 RWD	1977 - 80	RR
428/429	NISSAN	2300 & 2400 SERIES 2300 & 2400	1969 - 72	RR
489/503	VW	GOLF PICK UP (ALL MODELS)	1982 - 84	RR
527/711	RENAULT	R9 - ALL MODELS	1983 - 86	RR
630/632	MAZDA	B SERIES B3400 4X2	1997 - 00	RR
		B SERIES B3400 4X4	1997 - 00	RR
761/793	MARINA	1750 & 2.6 - S.A.	1976 - 77	RR
776/778	HILLMAN	HD 225 SPECIAL	1965 - 68	RR
778/791	FORD	CORTINA 1600 XL	1969 - 71	RR
786/787	TRIUMPH	2500 PI	1971 - 73	RR
794/778	NISSAN	LAUREL 2.0 & 2.8	1980 - 87	RR
		LAUREL 2.0 & 2.8 - 1ST ALTERNATIVE	1980 - 87	RR
		LAUREL 2.0 & 2.8 - 2ND ALTERNATIVE	1980 - 87	RR
		SKYLINE 1.8 & 2.0	1982 - 87	RR
816B/817B	FORD	RANCHERO IMPORTED	1969 - 74	RR
819B	CHRYSLER	SE	1975 - 78	RR
			1978 - 80	RR
DRUM	HEALEY	3000 & MK 3	1965-68	RR
		SPRITE - ALL MODELS	1963 - 67	RR
	CHEVEROLET	CAMARO	1969 - 73	RR
		CE 10	1969 - 73	RR
	CITROEN	C2 1.4 HDI	2004 - on	RR
	DAIMLER	JUNIOR	1962 - 65	RR
	FIAT	1100 D	1965 - 66	RR
	FORD	ZEPHYR & ZODIAC ZEPHYR	1966 - 69	RR
		F SERIES F 350	1974 - 81	RR
	LANCIA	PRISMA ALL MODELS	1985 - 86	RR
	LOTUS	ECLAT - ALLOY WHEELS	1974 - on	RR
		ECLAT - STEEL WHEELS	1974 - on	RR
	SMART	CAR 600	09/02 - on	RR
		CAR 700	09/02 - on	RR
	OPEL	CORSA II 1.4 CLASSIC & HATCH (ALL MODELS)	10/02 - on	RR
		CORSA II 1.6 CLASSIC & HATCH (ALL MODELS)	10/02 - on	RR
		CORSA II 1.7DTI CLASSIC (ALL MODELS)	2002 - 2005	RR
		CORSA II 1.8 CLASSIC EXECUTIVE	10/02 - on	RR
		CORSA II 1.8 GSI HATCH	10/02 - on	RR
		CORSA UTILITY 1.4I , 1.4IS	08/04 - on	RR
		CORSA UTILITY 1.7DTI , DTIS	08/04 - on	RR
	PEUGEOT	204	1966 - 70	RR
	RENAULT	R9 - IMPORTED CALIPER	1983 - 86	RR
	TRIUMPH	SPITFIRE MK3	1969 - 71	RR
		TR 3	1961 - 63	RR
		TR 7 5 SPEED	1976 - 84	RR
	VAUXHAUL	VISCOUNT	1966 - 69	RR
FD535	CHEVROLET	SENATOR	1979 - 82	RR
	OPEL	COMMODORE 3.0 - ALTERNATE	1985 - 89	RR
		SENATOR 3.0	1982 - 86	RR
FD539	FORD	ZEPHYR & ZODIAC	1965 - 66	RR

BUYERS GUIDE REAR DISC PADS & SHOES

PART No.	MAKE	MODEL	YEAR	RR
	FORD	ZODIAC	1966 - 69	RR
	ROVER	V8 SPORT	1971 - 75	RR
FD546	VOVLO	144 - 164 144S	1968 - 72	RR
		144 - 164 144 & 164 - GIRLING SYSTEM	1973 - 76	RR
FD555	ROVER	3500	1969 - 71	RR
FD710	JAGUAR	3.8 S TYPE	1967 - 68	RR
		420, MK10 & 420G	1965 - 72	RR
FDB1003	FIAT	ULYSSE 2.0 I.E.	1998 - 01	RR
	PEUGEOT	806 ST 2.0	1996 - 02	RR
		806 ST 2.0 (TURBO MODELS)	1996 - 02	RR
FDB1010	MITSUBISHI	PAJERO 2.6 4X4	1989 - 91	RR
FDB1012	MAZDA	ASTINA 180 SE	1995 - 00	RR
		ETUDE ALL MODELS	1995 - 01/00	RR
		MX SERIES MX-5 1.8	1994 - 99	RR
FDB1017	ISUZU	TROOPER 3.2 V6	1991 - 2000	RR
FDB102	LANCIA	BETA ALL MODELS	1974 - on	RR
FDB1021	TOYOTA	LANDCRUISER GX DIESEL 4.2	1993 - on	RR
		LANDCRUISER VX TDI 4.2	1997 - on	RR
		LANDCRUISER PRADO 3.0 TDI GX & VX (ALL MODELS)	03/03 - on	RR
			1997 - 03	RR
		LANDCRUISER PRADO 3.4 GX & VX PETROL	1997 - 03	RR
		LANDCRUISER PRADO 3.4 V6	1997 - 03	RR
		LANDCRUISER PRADO 4.0 VX V5	03/03 - on	RR
FDB1026	NISSAN	SENTRA 1.6 GXE1	1987 - 92	RR
		SENTRA 1.8i 16V SEDAN & COUPE	1989 - 92	RR
FDB1029	NISSAN	TERRANO II 2.7 TDI (WITH REAR DISCS)	1998 - on	RR
FDB1044	VITO	112 CDI 2.2 (WITH ATE CALIPERS)	2002 - on	RR
FDB1071	RENAULT	SPIDER 2.0 RT	1996 - on	RR
FDB1075	BMW	5 SERIES 523i (E39)	1998 - 02	RR
		5 SERIES 525i (E39)	2000 - on	RR
		5 SERIES 528i (E39)	07/96 - 01	RR
		5 SERIES 530D & 530i (E39)	2000 - on	RR
		5 SERIES 540i (E39)	07/96 - on	RR
FDB1083	AUDI	A3 1,8 (NON TURBO) - WITHOUT WEAR SENSOR	1998 - 99	RR
		A3 1.8 (NON TURBO) - WITH WEAR SENSOR	1999-04	RR
		A3 1.8 TURBO (ALL MODELS) - WITH WEAR SENSOR	1998-99	RR
		A3 1.8 TURBO (ALL MODELS) - WITHOUT WEAR SENSOR	1999-04	RR
		A4 (INCLUDING AVANT MODELS 1.8 (NON TURBO) - LUCAS CALIPER - WITHOUT WEAR SENSOR	05/99 - 05/01	RR
		A4 (INCLUDING AVANT MODELS 1.8 (NON TURBO) - ALTERNATE REAR	08/97 - 04/99	RR
		A4 (INCLUDING AVANT MODELS 1.8 (TURBO MODELS) - ATE CALIPER - WITHOUT WEAR SENSOR	05/99-01	RR
		A4 (INCLUDING AVANT MODELS 1.8 (TURBO MODELS) - ALTERNATE REAR	08/97-04/99	RR
		A4 (INCLUDING AVANT MODELS 2.4, 2.6, 2.8 (ALL MODELS) - WITH WEAR SENSOR	05/99-01	RR
		A4 (INCLUDING AVANT MODELS 2.4, 2.6, 2.8 (ALL MODELS) - ALTERNATE	08/97-04/99	RR
		A4 II (INCLUDING AVANT MOD 1.8T (ALL MODELS)	2001 - 2005	RR
		A4 II (INCLUDING AVANT MOD 1.9TDI	2001 - 2001	RR
		A4 II (INCLUDING AVANT MOD 2.0 (ALL MODELS)	2001 - 2005	RR
		A4 II (INCLUDING AVANT MOD 2.4 (ALL MODELS)	2001 - 2005	RR
		A4 II (INCLUDING AVANT MOD 2.5TDI	2001 - 2005	RR
		A4 II (INCLUDING AVANT MOD 3.0 (ALL MODELS)	2001 - 2005	RR

BUYERS GUIDE REAR DISC PADS & SHOES

PART No.	MAKE	MODEL	YEAR	RR
		A6 II 2.4	1997 - 2003	RR
		A6 II 2.4 FROM CHASSIS NO. 4BX070001 >	2003 - 2004	RR
		A6 II 2.4 AVANT	2001 - 2004	RR
		A6 II 2.5TDI FROM CHASSIS NO. 4BX070001 >	2003 - 2004	RR
		A6 II 2.7T QUATTRO - WITH ATE FRONT CALIPER	2002 - 2004	RR
		A6 II 2.7T QUATTRO - WITH LUCAS FRONT CALIPER	2000 - 2002	RR
		A6 II 2.8 ALL MODELS FROM CHASSIS NO. 4BX070001 >	2003 - 2004	RR
		A6 II 2.8 QUATTRO	1997 - 02	RR
		A6 II 3.0 & 3.0 QUATTRO (ALL MODELS)	2001 - 2004	RR
		A6 II 3.0 & 3.0 QUATTRO (ALL MODELS) - WITH LUCAS CALIPER	2001 - 2004	RR
		A6 II 4.2 V8 AVANT	2001 - 2004	RR
		A8 3.7 (WITH ATE CALIPER)	04/96 - 10/98	RR
		A8 3.7 (WITH LUCAS CALIPER)	04/96 - 10/98	RR
		A8 4.2 QUATTRO (WITH LUCAS CALIPER)	04/96 - 10/98	RR
			11/98 - 02	RR
			1995 - 03/96	RR
		A8 4.2 QUATTRO (WITH ATE CALIPER)	04/96 - 10/98	RR
		S3 1.8T QUATTRO	2001 - on	RR
		S6 4.2 V8 AVANT	2001 - on	RR
		S8 4.2 QUATTRO	2001 - on	RR
		TT SERIES 1.8T (ALL MODELS)	2000 - on	RR
		TT SERIES 3.2 V6	07/04 - on	RR
CITROEN		C2 1.4i VTR	2004 - on	RR
		C2 1.6 VTS	2004 - on	RR
FIAT		ULYSSE 2.2 JTD	2003 - on	RR
PEUGEOT		807 2.2 ST & SV	11/03 - on	RR
VW		BEETLE 1.8T	03/03 - on	RR
		BEETLE 2.0 (ALL MODELS)	2000 - on	RR
		GOLF 3 1.8 CABRIO - FROM CHASSIS NO 1V000001	06/98 - on	RR
		GOLF 3 2.0 CABRIO	06/98 - 01	RR
		GOLF 4 1.6i (ALL MODELS) - WITHOUT WEAR SENSOR	1999 - 1999	RR
		GOLF 4 1.6i (ALL MODELS) - WITH WEAR SENSOR	2000 - 2004	RR
		GOLF 4 1.6i ESTATE - WITH WEAR SENSOR	1999 - 2004	RR
		GOLF 4 1.8 GTI - NO WEAR SENSOR	1999 - 1999	RR
		GOLF 4 1.8 GTI - WITH WEAR SENSOR	2000 - 2004	RR
		GOLF 4 1.8 GTI R TURBO (132 KW)	03/03 - on	RR
		GOLF 4 1.9 TDI - NO WEAR SENSOR	1999 - 1999	RR
		GOLF 4 1.9 TDI - WITH WEAR SENSOR	2000 - 2004	RR
		GOLF 4 1.9 TDI ESTATE - WITH WEAR SENSOR	1999 - 2004	RR
		GOLF 4 2.0i (ALL MODELS) - WITHOUT WEAR SENSOR	1999 - 1999	RR
		GOLF 4 2.0i (ALL MODELS) - WITH WEAR SENSOR	2000 - 2004	RR
		JETTA 4 1.6i (ALL MODELS) - WITHOUT WEAR SENSOR	1999 - 1999	RR
		JETTA 4 1.6i (ALL MODELS) - WITH WEAR SENSOR	2000 - 2005	RR
		JETTA 4 1.8 TURBO R (132 KW)	05/03 - on	RR
		JETTA 4 1.9 TDI - NO WEAR SENSOR	1999 - 1999	RR
		JETTA 4 1.9 TDI - WITH WEAR SENSOR	2000 - 2005	RR
		JETTA 4 2.0i (ALL MODELS) - WITHOUT WEAR SENSOR	1999 - 1999	RR
		JETTA 4 2.0i (ALL MODELS) - WITH WEAR SENSOR	2000 - 2005	RR
		JETTA 4 2.3 V5 - NO WEAR SENSOR	1999 - 1999	RR
		JETTA 4 2.3 V5 - WITH WEAR SENSOR	2000 - 2005	RR
		PASSAT 1.8 TURBO - ATE CALIPER - NO WEAR SENSOR	1998 - on	RR
		PASSAT 1.8 TURBO - ATE CALIPER - WITH WEAR SENSOR	1998 - on	RR
		PASSAT 1.8 TURBO - LUCAS CALIPER - WITH WEAR SENSOR	1998 - on	RR
		PASSAT 1.9 TDI	2003 - 2005	RR

BUYERS GUIDE REAR DISC PADS & SHOES

PART No.	MAKE	MODEL	YEAR	RR
		PASSAT 2.3 V5	04/02 - on	RR
		PASSAT 2.8 VR6, 2.8 V6 - ATE CALIPER - NO WEAR SENSOR	1998 - on	RR
		PASSAT 2.8 VR6, 2.8 V6 - ATE CALIPER - WITH WEAR SENSOR	1998 - on	RR
		SHARAN 1.8 TURBO, 2.8 VR6	98 - 04/00	RR
FDB1095	SMART	CAR FORFOUR 1.3, 1.5 (ALL MODELS)	2004 - on	RR
	VOLVO	S40/V40 S40 SEDAN, V40 ESTATE (ALL MODELS)	07/97 - on	RR
			1996 - 06/97	RR
FDB1099	CHRYSLER	NEON 1.8 & 2.0 LE & SE (ALTERNATE)	1996 - 98	RR
		NEON ALL MODELS	2001 - on	RR
FDB1104	NISSAN	MAXIMA 2.0 QX	1997 - 00	RR
			2000 - on	RR
		MAXIMA 2.0 QX (ALTERNATE)	1997 - 00	RR
			1996 - 00	RR
		MAXIMA 3.0 QX	2000 - on	RR
		MAXIMA 3.0 QX (ALTERNATE)	1996 - 00	RR
FDB111	LAMBORGHINI	COUNTACH	1973 - 84	RR
FDB1113	ALFA	145 2.0 QUADRIFOGLIO	01/97 - 01	RR
			03/95 - 12/96	RR
		146 2.0 TI TWIN SPARK SEDAN	01/97-99	RR
			03/95 - 12/96	RR
		155 2.0 TWIN SPARK	05/96 - 99	RR
			93 - 04/96	RR
		155 2.0 TWIN SPARK (ALTERNATE)	05/96 - 99	RR
		155 2.5 V6 EXEC	05/96 - 99	RR
			93 - 04/96	RR
		GT - GTV GTV 2.0 TWIN SPARK	1996 - 99	RR
		GT - GTV GTV 2.0 TWIN SPARK (ALTERNATE)	1996 - 99	RR
		GT - GTV GTV 3.2 V6	03/04 - on	RR
		GT - GTV GTV 3.0 V6 24V COUPE	1999 - 2004	RR
		GT - GTV GT 1.9 JTD	2005 - on	RR
		SPIDER 2.0 TWIN SPARK	1996 - on	RR
		SPIDER 2.0 TWIN SPARK (ALTERNATIVE)	1996 - on	RR
		SPIDER 3.0 V6 24V	10/02 - 02/04	RR
		SPIDER 3.2 V6	03/04 - on	RR
	FIAT	COUPE 2.0 20V TURBO	1998 - on	RR
FDB1117	SAAB	40246 ALL MODELS	1998 - 2002	RR
		40307 ALL MODELS	1998 - on	RR
		900 ALL MODELS	08/96 - 99	RR
FDB1130	FORD	EXPLORER 4.0 XLT 4X4 (U.S. IMPORT)	1995 - 99	RR
FDB1132	VW	CARAVELLE T4 2.8 VR6, V6	1999 - on	RR
		CARAVELLE T4 2.8 VR6, V6 (ALTERNATE 1)	1999 - on	RR
		CARAVELLE T4 2.8 VR6, V6 (ALTERNATE 2)	1999 - on	RR
FDB114	LOTUS	ESPRIT SE	1989 - on	RR
		ESPRIT TURBO	1987 - on	RR
	RENAULT	R25 2.5	1985 - on	RR
		ESPACE 2	1991 - 96	RR
		FUEGO TURBO	1984 - 85	RR
FDB1157	FORD	FALCON FAIRMONT, FUTURA, GLI, XR6	1996 - on	RR
		RANCHERO 4.0 GLI UTE, BK & XR6	1997 - 99	RR
	SSANGYONG	KORANDO ALL MODELS	1997 - 99	RR
		MUSSO ALL MODELS	1995 - 99	RR
FDB1278	RENAULT	LAGUNA ALL MODELS	04/99 - on	RR
			08/97 - 04/99	RR
FDB1294	OPEL	ASTRA 1.8 CDE, CSE & CARAVAN	10/99 - 06/01	RR
		ASTRA 2.0 CDX & CSX	10/99 - 06/01	RR

BUYERS GUIDE REAR DISC PADS & SHOES

PART No.	MAKE	MODEL	YEAR	RR		
FDB1296	ROLLS	ROYCE ALL MODELS ALL MODELS	1966 - 98	RR		
FDB13	RENAULT	R8 - ALL MODELS	1965 - 70	RR		
		R10 - ALL MODELS	1966 - 70	RR		
	MG	ZT 160 MG ZT 160	03/04 - on	RR		
		ZT 190 MG ZT 190	2003 - on	RR		
	BMW	3 SERIES 318i (E46) - SEDAN & TOURING	1998 - on	RR		
		3 SERIES 318Ti COMPACT (E46)	2001 - on	RR		
		3 SERIES 320i (E46)	1999 - on	RR		
		3 SERIES 320D (E46)	2000 - on	RR		
		3 SERIES 323Ci (E46)	1999 - on	RR		
		3 SERIES 323i (E46)	1999 - on	RR		
		3 SERIES 325i (E46) - SE	2000 - on	RR		
		3 SERIES 325Ci (E46)	2001 - on	RR		
		3 SERIES 325Ti COMPACT (E46)	2001 - on	RR		
		3 SERIES 328i (E46)	1998 - on	RR		
		Z SERIES Z3 2.8 COUPE & ROADSTER	1997 - 00	RR		
		Z SERIES Z3 3.0 ROADSTER	2000 - on	RR		
		Z SERIES Z4 2.0i (E85) ROADSTE	2006 - on	RR		
		Z SERIES Z4 2.5i (E85) ROADSTE	2003 - on	RR		
		Z SERIES Z4 2.5 Si (E85) ROADSTER	2006 - on	RR		
		Z SERIES Z4 3.0i (E85) ROADSTE	2003 - on	RR		
		Z SERIES Z4 3.0 Si (E85) ROADSTER	2006 - on	RR		
		Z SERIES Z4 3.0 Si (E86) COUPE	2006 - on	RR		
			ROVER	R75 1.8T	2003 - on	RR
				R75 2.5 V6 (ALL MODELS)	2001 - on	RR
FDB1305	MERCEDES BENZ	VITO 112 CDI 2.2	2002 - on	RR		
		VITO 108CDi2.2/2.4	1998 - on	RR		
		VITO 110CDi2.2	1998 - on	RR		
		VITO 112CDu2.2	1998 - on	RR		
		VITO 114 2.3i	1998 - on	RR		
		VITO 112 CDI 2.2 (WITH BOSCH CA 112 CDI 2.2 (WITH BOSCH CALIPERS)	2002 - on	RR		
FDB1310	MERCEDES BENZ	C-CLASS (W202 SERIES) C180 CLASSIC	06/96 - 00	RR		
		C-CLASS (W202 SERIES) C200 CLASSIC & ELEGANCE	1996 - 00	RR		
		C-CLASS (W202 SERIES) C220 CLASSIC & ELEGANCE	06/96 - 97	RR		
		C-CLASS (W202 SERIES) C230 ELEGANCE	1996 - 99	RR		
		C-CLASS (W202 SERIES) C250 D CLASSIC & ELEGANCE	06/96 - 97	RR		
FDB1311	CHRYSLER	CROSSFIRE 3.2 V6 (ALL MODELS)	2003 - on	RR		
	MERCEDES BENZ	C-CLASS (W202 SERIES) C230 KOMPRESSOR	1996 - 00	RR		
		C-CLASS (W202 SERIES) C240 ELEGANCE	1998 - on	RR		
		C-CLASS (W202 SERIES) C250 TD CLASSIC	06/97 - 01	RR		
		C-CLASS (W202 SERIES) C280 ELEGANCE	06/97 - 01	RR		
		C-CLASS (W203 SERIES) C180 & C180K (ALL MODELS)	2000 - on	RR		
		C-CLASS (W203 SERIES) C200K (ALL MODELS)	2000 - on	RR		
		C-CLASS (W203 SERIES) C230K (ALL MODELS)	2000 - on	RR		
		C-CLASS (W203 SERIES) C230 CLASSIC	2006 - on	RR		
		C-CLASS (W203 SERIES) C240	2000 - on	RR		
		C-CLASS (W203 SERIES) C240T	2001 - on	RR		
		C-CLASS (W203 SERIES) C270 CDI	2000 - on	RR		
		C-CLASS (W203 SERIES) C280 V6	2005 - on	RR		
		CLK SERIES (A208 COUPE SER CLK200 & CLK200 KOMPRESSOR	1997 - on	RR		
		CLK SERIES (A208 COUPE SER CLK230 KOMPRESSOR	1997 - on	RR		
		E-CLASS (W210 SERIES) E220, E230 (ALTERNATE)	1996 - 99	RR		
		E-CLASS (W210 SERIES) E240	1998 - on	RR		
E-CLASS (W210 SERIES) E270 CDI	2001 - on	RR				

BUYERS GUIDE REAR DISC PADS & SHOES

PART No.	MAKE	MODEL	YEAR	RR
		SLK SERIES (R170 ROADSTER SLK200 & SLK200 COMPRESSOR	1996 - on	RR
		SLK SERIES (R170 ROADSTER SLK230 KOMPRESSOR	1996 - 00	RR
		SLK SERIES (R170 ROADSTER SLK320	2000 - on	RR
		SLK SERIES (R171 SERIES) SLK200 KOMPRESSOR	2004 - on	RR
		SLK SERIES (R171 SERIES) SLK350	2004 - on	RR
FDB1319	FORD	FIESTA 2.0 ST, 2.0I ST150	2005 - on	RR
		FOCUS 1.6 AMBIENTE	06/03 - on	RR
		FOCUS 1.8 TDCI	10/03 - on	RR
		FOCUS 2	1999 - on	RR
		FOCUS 2.0 TREND	06/02 - on	RR
		FOCUS 2.0I ST170 HATCH	07/03 - on	RR
FDB1322	MERCEDES BENZ	C-CLASS (W203 SERIES) C180 TO C280 (WITH SPORT PACKAGE)	2000 - 2007	RR
		C-CLASS (W203 SERIES) C230K SPORT COUPE	2001 - on	RR
		C-CLASS (W203 SERIES) C230 SPORT COUPE	2005 - on	RR
		C-CLASS (W203 SERIES) C320	2000 - on	RR
		C-CLASS (W203 SERIES) C320 CDI	2005 - on	RR
		C-CLASS (W203 SERIES) C320 TO C350 (WITH SPORT PACKAGE)	2000 - on	RR
		C-CLASS (W203 SERIES) C320K	2004 - on	RR
		C-CLASS (W203 SERIES) C350	2005 - on	RR
		CLK SERIES (A209 SERIES) CLK320	2003 - on	RR
		CLK SERIES (A209 SERIES) CLK350 (ALL MODELS)	2005 - on	RR
		E-CLASS (W210 SERIES) E200 KOMPRESSOR (ALTERNATE)	2001 - 02	RR
		E-CLASS (W210 SERIES) E240 (ALTERNATE)	1998 - on	RR
		E-CLASS (W210 SERIES) E270 CDI (ALTERNATE)	2001 - on	RR
		E-CLASS (W210 SERIES) E280, E280 V6 (ALTERNATE)	1997 - 01	RR
		E-CLASS (W210 SERIES) E320 V6, E320TE (ALTERNATE)	1997 - on	RR
		E-CLASS (W210 SERIES) E430, E430TE	08/99 - 02	RR
		E-CLASS (W210 SERIES) E430, E430TE (ALTERNATE)	08/99 - 02	RR
			1998 - 07/99	RR
		C-CLASS (W203 SERIES) C220 CDI	10/02 - on	RR
FDB1324	FIAT	PUNTO 1.8 HGT	07/04 - on	RR
FDB1336	DAEWOO	NUBIRA 2.0 CDX (ALL MODELS)	1997 - 00	RR
		NUBIRA 2.0 CDX (ALL MODELS) - (ATE ALTERNATE)	1997 - 00	RR
FDB1349	ALFA	147 1.6 PROGRESSION	07/02 - on	RR
		147 1.6 TS 16V	2001 - on	RR
		147 1.9 JTD	10/04 - on	RR
		147 2.0 DISTINCTIVE	07/02 - on	RR
		147 2.0 SELESPEED	2001 - on	RR
		147 3.2 GTA	2004 - on	RR
		156 2.5 V6 SPORTWAGON	2000 - on	RR
		156 3.2 V6 GTA	03/03 - on	RR
		156 3.2 V6 GTA (ALTERNATE)	09/03 - on	RR
FDB1383	VOLVO	C70/S70/V70 S70 SEDAN, V70 ESTATE (ALL MODELS)	2000 - on	RR
		C70/S70/V70 V70 XC 2.4T	00 - 04	RR
		C70/S70/V70 V70 XC 2.5T	2003 - on	RR
		S60 ALL MODELS	2000 - on	RR
		S60 2.0T	02/04 - on	RR
		S80 (ALL MODELS)	1999 - on	RR
		S80 (ALL MODELS) - FACE LIFT	02/04 - on	RR
FDB1395	TOYOTA	PRIUS 1.5 HYBRID	2006 - on	RR
		RUN-X 180 RSI	02/03 - on	RR
FDB1401	MERCEDES BENZ	M-CLASS (W163 SERIES) ML320	1998 - on	RR
FDB1408	AUDI	S4 4.2 V8	10/03 - on	RR

BUYERS GUIDE REAR DISC PADS & SHOES

PART No.	MAKE	MODEL	YEAR	RR
		A8 4.2 QUATTRO - ALTERNATE	2004 - on	RR
		RS4 4.2 AVANT QUATTRO	2007 - on	RR
		RS4 4.2 FSI QUATTRO	2006 - on	RR
		RS4 4.2 V8 QUATTRO	2007 - on	RR
FDB141	LOTUS	ESPRIT S3 & TURBO	1981 - 86	RR
FDB1413	CITROEN	C5 2	2001 - on	RR
		C5 3.0 V6	2001 - on	RR
FDB1415	PEUGEOT	406 SI, SLI, STI, ESTATE	1996 - on	RR
		406 SRI 2.0, ST 2.0	1996 - on	RR
		406 ST 2.0 HDI	08/02 - on	RR
		406 ST 2.2	2001 - on	RR
		406 SV 3.0 V6	1997 - on	RR
		605 SRI 3.0 V6	1996 - 97	RR
		605 SRI 3.0 V6 - ALTERNATE	1996 - 97	RR
		607 3.0 V6	2001 - on	RR
FDB1416	FORD	MONDEO 2.0 GHIA & TREND	2001 - 2004	RR
		MONDEO ST220	2003 - 2004	RR
	JAGUAR	X - TYPE ALL	05/02 - on	RR
FDB1427	MERCEDES BENZ	S-CLASS (W220 SERIES) S320	10/98 - on	RR
		S-CLASS (W220 SERIES) S430	10/98 - 09/02	RR
		S-CLASS (W220 SERIES) S500	10/98 - 09/02	RR
		S-CLASS (W220 SERIES) S55 AMG	2001 - on	RR
		S-CLASS (W220 SERIES) S600	10/98 - 09/02	RR
FDB1460	VW	TOUAREG 2.5 R5 TDI (17" WHEEL)	03/04 - on	RR
FDB1469	FIAT	BRAVO 1.4 T-JET DYNAMIC & SPORT	2007 - on	RR
		BRAVO 1.9 MULTIJET DYNAMIC	2007 - on	RR
		MULTIPLA 1.6	10/04 - on	RR
		MULTIPLA 1.9 JTD MPV	04/03 - 10/04	RR
		STILO 1.6	11/03 - on	RR
		STILO 1.9JTD	11/03 - on	RR
		STILO 2.4 20V ABARTH	09/04 - on	RR
FDB1472	OPEL	TIGRA 1.4 ENJOY	2005 - on	RR
		TIGRA 1.8 SPORT	2005 - on	RR
FDB1475	CHRYSLER	VOYAGER & GRAND VOYAGER 2.4, 2.5 CRD, 3.3 (ALL MODELS) - 16" WHEELS	05/01 - on	RR
		VOYAGER & GRAND VOYAGER 2.8 CRD (FACE LIFT)	06/04 - on	RR
FDB1481	VW	SHARAN 1.8 TURBO	98 - 04/00	RR
FDB1482	VW	SHARAN 1.8 TURBO - ALTERNATE	05/00 - on	RR
		SHARAN 1.9 TDI	05/03 - on	RR
		SHARAN 2.8 VR6	05/03 - on	RR
		CARAVELLE T5 2.5 TDI - (96KW - 16" WHEELS)	2004 - on	RR
		CARAVELLE T5 2.5 TDI - (128KW - 17" WHEELS)	2004 - on	RR
		KOMBI T5 1.9 TDI, 2.5 TDI	2004 - on	RR
FDB1483	RANGE ROVER III	3.0 TD6, 4.4 V8	03/02 - on	RR
	BMW	3 SERIES 330CI (E46)	2000 - on	RR
		3 SERIES 330I (E46)	2000 - on	RR
		3 SERIES 330D (E46)	2001 - on	RR
		7 SERIES 735I (E39)	1999 - on	RR
		7 SERIES 740I (E38)	1995 - 02	RR
		7 SERIES 750I L (E38)	1995 - on	RR
		M SERIES M3 (E46)	1998 - on	RR
		M SERIES M5 (E39)	1999 - on	RR
		X-3 SERIES 2.0D (E83)	2004 - on	RR
		X-3 SERIES 2.5I (E83)	2004 - on	RR
		X-3 SERIES 2.5 SI (E83)	2006 - on	RR

BUYERS GUIDE REAR DISC PADS & SHOES

PART No.	MAKE	MODEL	YEAR	RR
		X-3 SERIES 3.0 SI (E83)	2006 - on	RR
		X-3 SERIES 3.0I (E83)	2004 - on	RR
		X-3 SERIES 3.0D (E83)	2005 - on	RR
		X-5 SERIES 3.0 & 4.4 4X4	2001 - on	RR
		X-5 SERIES 3.0D , 4.4I V8 (FACE LIFT)	02/04 - on	RR
		X-5 SERIES 4.6IS	02/02 - on	RR
		X-5 SERIES 4.8IS V8	02/04 - on	RR
		Z SERIES Z4 3.2I (E85) ROADSTE	2006 - on	RR
		Z SERIES Z4 3.2I (E86) COUPE	2006 - on	RR
FDB1486	JAGUAR	S - TYPE 2.7D SE	2006 - on	RR
		S - TYPE 3.0 & 3.0 V6	1999 - on	RR
		S - TYPE 4.0 V8	1999 - on	RR
FDB1491	RENAULT	GRAND SCENIC II 1.9 DCI	2004 - 2005	RR
		GRAND SCENIC II 1.9DCI	2006 - on	RR
		GRAND SCENIC II 2.0 (ALL MODELS)	2004 - 2005	RR
			2006 - on	RR
		MEGANE II 1.5 DCI HATCH	2003 - 2005	RR
		MEGANE II 1.5 DCI HATCH (WITH 15" WHEELS)	2006 - on	RR
		MEGANE II 1.5 DCI HATCH (WITH 16" WHEELS)	2006 - on	RR
		MEGANE II 1.6 HATCH (ALL MODELS)	2003 - 2005	RR
		MEGANE II 1.6 SEDAN (ALL MODELS)	2003 - 2005	RR
		MEGANE II 1.6 C.C.	2005 - 2005	RR
			2006 - on	RR
		MEGANE II 1.6 HATCH (WITH 15" WHEELS)	2006 - on	RR
		MEGANE II 1.6 HATCH (WITH 16" WHEELS)	2006 - on	RR
		MEGANE II 1.6 SEDAN (WITH 15" WHEELS)	2006 - on	RR
		MEGANE II 1.6 SEDAN (WITH 16" WHEELS)	2006 - on	RR
		MEGANE II 1.9 DCI HATCH	2003 - 2005	RR
		MEGANE II 1.9 DCI SEDAN	2003 - 2005	RR
		MEGANE II 1.9 DCI C.C.	2005 - 2005	RR
		MEGANE II 1.9 DCI HATCH (ALL MODELS)	2006 - on	RR
		MEGANE II 1.9 DCI SEDAN (ALL MODELS)	2006 - on	RR
		MEGANE II 1.9DCI C.C.	2006 - on	RR
		MEGANE II 2.0 HATCH	04/03 - on	RR
		MEGANE II 2.0 SEDAN	2003 - 2005	RR
		MEGANE II 2.0 C.C.	2004 - 2005	RR
			2006 - on	RR
		MEGANE II 2.0 SEDAN (ALL MODELS)	2006 - on	RR
		MEGANE SCENIC ALL MODELS (INCL. RX4 2.0)	08/99 - on	RR
		MEGANE SCENIC 1.9 DCI	02/03 - on	RR
		MEGANE SCENIC II ALL MODELS	2004 - 2005	RR
		MEGANE SCENIC II 1.6 (WITH 15" WHEELS)	2006 - on	RR
		MEGANE SCENIC II 1.6 (WITH 16" WHEELS)	2006 - on	RR
		MEGANE SCENIC II 1.9 DCI (ALL MODELS)	2006 - on	RR
		MEGANE SCENIC II 2.0 (ALL MODELS)	2006 - on	RR
FDB1494	MERCEDES BENZ	VITO 115 CDI 2.2	2004 - on	RR
		VITO 115 CDI 2.2	02/04 - on	RR
FDB1500	MINI COOPER	(NEW) ALL MODELS	06/01 - 03/03	RR
FDB1506	HONDA	ACCORD 2.0	2007 - on	RR
		ACCORD 2.4 (ALL MODELS)	2003 - on	RR
FDB1512	MERCEDES BENZ	M-CLASS (W163 SERIES) ML270 CDI (ALTERNATE)	2000 - on	RR
		M-CLASS (W163 SERIES) ML320 (ALTERNATE 2)	1998 - on	RR
		M-CLASS (W163 SERIES) ML350	2003 - on	RR
		M-CLASS (W163 SERIES) ML430	1999 - 02	RR
		M-CLASS (W163 SERIES) ML500	2001 - on	RR

BUYERS GUIDE REAR DISC PADS & SHOES

PART No.	MAKE	MODEL	YEAR	RR
FDB1521	OPEL	M-CLASS (W163 SERIES) ML55 AMG	2001 - on	RR
		ASTRA 1.6 CD, CDE & CS (WITH REAR DISCS)	2003 - on	RR
		OPEL ASTRA 1.8 CDE, CSE & CARAVAN (TRW-LUCAS REAR CALIPER)	07/01 - on	RR
		ASTRA 2.0 CDX & CSX (TRW-LUCAS REAR CALIPER)	07/01 - on	RR
		ASTRA 2.0 OPC	02/04 - on	RR
		ASTRA 2.0 TURBO COUPE	2001 - on	RR
		ASTRA 2.2 EXECUTIVE	04/02 - on	RR
		ASTRA III 1.4	2006 - on	RR
		ASTRA III 1.6 (ALL MODELS)	10/04 - on	RR
		ASTRA III 1.8 ENJOY & SPORT	2004 - on	RR
		ASTRA III 1.9 CDTI ENJOY	2006 - on	RR
		ASTRA III 2.0 TURBO OPC	2006 - on	RR
		ASTRA III 2.0 TURBO SPORT	2006 - on	RR
		ASTRA III GTC 1.8 (ALL MODELS)	2006 - on	RR
		ASTRA III GTC 1.9 CDTI (ALL MODELS)	2006 - on	RR
		ASTRA III GTC 2.0 TURBO (ALL MODELS)	2006 - on	RR
		ASTRA III TWINTOP 1,8	2006 - on	RR
		ASTRA III TWINTOP 2.0 T SPORT	2006 - on	RR
		MERIVA MERIVA 1.4	2006 - on	RR
		MERIVA MERIVA 1.6	09/03 - on	RR
		MERIVA MERIVA 1.7 CDTI	2005 - on	RR
		MERIVA MERIVA 1.8	09/04 - on	RR
		ZAFIRA 1.6 ESSENTIA	2006 - on	RR
		ZAFIRA 1.6 ESSENTIA - ALTERNATE	2006 - on	RR
		ZAFIRA 1.8	2001 - 2004	RR
		ZAFIRA 1.8 ELEGANCE	2003 - 2005	RR
			2005 - on	RR
		ZAFIRA 1.8 ENJOY (ALL MODELS)	2006 - on	RR
		ZAFIRA 1.8 ENJOY (ALL MODELS) - ALTERNA	2006 - on	RR
		ZAFIRA CAPTIVA	2006 - on	RR
		ZAFIRA 2.0 OPC	2007 - on	RR
		ZAFIRA 2.0T OPC	2005 - on	RR
		ZAFIRA 2.2i (ALL MODELS)	2004 - on	RR
FDB1526	MERCEDES BENZ	E-CLASS (W211 SERIES) E200 KOMPRESSOR	02/04 - on	RR
		E-CLASS (W211 SERIES) E220 CDI	08/02 - on	RR
		E-CLASS (W211 SERIES) E240	08/02 - on	RR
		E-CLASS (W211 SERIES) E270 CDI	08/02 - on	RR
		E-CLASS (W211 SERIES) E280	2005 - on	RR
		E-CLASS (W211 SERIES) E320 CDI	2005 - on	RR
		E-CLASS (W211 SERIES) E350	2005 - on	RR
		E-CLASS (W211 SERIES) E500	2002 - on	RR
		S-CLASS (W220 SERIES) S320 CDI	2002 - on	RR
		S-CLASS (W220 SERIES) S350	2002 - on	RR
		S-CLASS (W220 SERIES) S430	09/02 - on	RR
		S-CLASS (W220 SERIES) S500	09/02 - on	RR
		S-CLASS (W220 SERIES) S55 AMG	06/02 - on	RR
S-CLASS (W220 SERIES) S600	09/02 - on	RR		
FDB1531	TOYOTA	RAV 4 ALL MODELS	10/00 - on	RR
			10/03 - on	RR
FDB1540	RENAULT	ESPACE IV 2.0T	2005 - on	RR
		ESPACE IV 2.2 DCI	2005 - on	RR
		ESPACE IV 3.5 V6	2005 - on	RR
		LAGUNA II 1.8 (ALL MODELS)	2001 - on	RR
		LAGUNA II 1.9 DCI	02/03 - on	RR

BUYERS GUIDE REAR DISC PADS & SHOES

PART No.	MAKE	MODEL	YEAR	RR
		LAGUNA II 2.0 16V	07/02 - on	RR
		LAGUNA II 3.0 V6	2001 - on	RR
		VEL SATIS 3.5 V6	04/03 - on	RR
FDB1562	NISSAN	200 - 370 SERIES 350Z	2002 - on	RR
	SUBARU	IMPREZA 2.0 WRX STI	2005 - on	RR
		IMPREZA 2.5 WRX STI	2000 - 01	RR
FDB1569	KIA	CARENS 1.8 LS	2002 - 2003	RR
		CARENS CARENS II (ALL MODELS)	2003 - on	RR
		CLARUS 2.0 2	1998 - on	RR
		SHUMA I SHUMA 1.8I (REAR DISC OPTION)	1999 - on	RR
		SHUMA II 1.6, 1.8 - WITH REAR DISCS	02/02 - on	RR
FDB1574	TOYOTA	COROLLA 140I GLE, GLS	09/02 - on	RR
		COROLLA 160I GLE, GLS, GSX	09/02 - on	RR
		COROLLA 180I GLE, GLS, GSX	09/02 - on	RR
		COROLLA SPRINTER 140I, 160I, 180I	2006 - on	RR
		RUN-X 140 (ALL MODELS)	2003 - on	RR
		RUN-X 160 (ALL MODELS)	2003 - on	RR
		RUN-X 180 RX	2004 - on	RR
FDB1604	MITSUBISHI	PAJERO 3200 (ALL MODELS)	05/00 - on	RR
		PAJERO 3500 (ALL MODELS)	05/00 - on	RR
		PAJERO 3.8 GLS	2004 - on	RR
FDB1606	HYUNDAI	GETZ 1.3 & 1.6	2003 - on	RR
		GETZ 1.5 CRDI	04/04 - on	RR
		SANTE FE ALL MODELS	2001 - 2006	RR
		SONATA 2	06/03 - on	RR
		SONATA ALLEGRO 2.0	1998 - on	RR
		SONATA VIVANTE 2.5	1998 - on	RR
		SONATA 2.7 V6	06/03 - on	RR
		TRAJET 2.0 CRDI	2005 - on	RR
		TRAJET 2.7 V6 GLS	2005 - on	RR
		TUCSON 2.0 4X2	11/04 - on	RR
		TUCSON 2.0 CRDI 4X4	11/04 - on	RR
		TUCSON 2.7 4X4	11/04 - on	RR
	KIA	MAGENTIS 2	08/04 - on	RR
		MAGENTIS 2.5	08/04 - on	RR
		SPORTAGE 2.0 4X2 (ALL MODELS)	2005 - on	RR
		SPORTAGE 2.0 4X4 (ALL MODELS)	2005 - on	RR
		SPORTAGE 2.0 CRDI 4X4 (ALL MODELS)	2005 - on	RR
		SPORTAGE 2.7 AUTO 4X4	2005 - on	RR
FDB1608	MERCEDES BENZ	M-CLASS (W163 SERIES) ML270 CDI	2000 - on	RR
		M-CLASS (W163 SERIES) ML320 (ALTERNATE 1)	1998 - on	RR
FDB1610	TOYOTA	LEXUS GS 300	1998 - on	RR
		LEXUS IS 200	1999 - on	RR
		LEXUS IS 300	2004 - on	RR
FDB1613	RANGE ROVER III	4.2 V8 SPORT	2005 - on	RR
		4.4 V8 SPORT	2007 - on	RR
	LAND ROVER	DISCOVERY III 2.7 TD V6, 4.0 V6, 4.4 V8	2005 - on	RR
		DISCOVERY III 4.2 V8	2005 - on	RR
FDB162	BMW	5 SERIES 525 (E12)	1979 - 1984	RR
		5 SERIES 528 (E12)	1979 - 1979	RR
		5 SERIES 528i (E12)	1979 - 1981	RR
			1976 - 1978	RR
		5 SERIES 530 (E12)	1979 - 1980	RR
		6 SERIES 633 & 635CSI	1978 - 82	RR
FDB1627	PORSCHE	CAYENNE 3.2 V6	2005 - on	RR

BUYERS GUIDE REAR DISC PADS & SHOES

PART No.	MAKE	MODEL	YEAR	RR
FDB1632	VW	CAYENNE 4.5 V8	05/03 - on	RR
		CAYENNE 4.5 V8 TURBO	05/03 - on	RR
	VOLVO	TOUAREG 4.2 V8	03/04 - on	RR
		TOUAREG 5.0 V10 TDI (18" WHEEL)	03/04 - on	RR
		S90/V90/XC90 XC90 2.5T	2004 - on	RR
		S90/V90/XC90 XC90 2.5T - ALTERNATE	2004 - on	RR
		S90/V90/XC90 XC90 2.9 T6	2003 - on	RR
		S90/V90/XC90 XC90 2.9 T6 - ALTERNATE	2003 - on	RR
		S90/V90/XC90 XC90 3.2	2007 - on	RR
		S90/V90/XC90 XC90 4.4 V8 (ALL MODELS)	2006 - on	RR
S90/V90/XC90 XC90 D5 2.4 (ALL MODELS)	2004 - on	RR		
S90/V90/XC90 XC90 D5 2.4 (ALL MODELS) - ALTERNATE	2004 - on	RR		
FDB1636	AUDI	1.4 TFSI 1.4 TFSI		RR
		1.8 TFSI 1.8 TFSI		RR
		1.9 TDI 2.0 FSI	04/04 - on	RR
		1.9 TDI 2.0 TDI	11/03 - on	RR
		1.9 TDI 2.0T FSI	2005 - on	RR
		1.9 TDI 3.2 V6 QUATTRO	10/04 - on	RR
		1.9 TDI SPORTBACK 2.0 FSI	2005 - on	RR
		1.9 TDI SPORTBACK 2.0 TDI	2007 - on	RR
		1.9 TDI SPORTBACK 2.0T FSI	2007 - on	RR
		1.9 TDI SPORTBACK 3.2 QUATTRO	2005 - on	RR
		A4 III (INCLUDING AVANT MO 2.0 TDI (125KW)	2006 - on	RR
		A4 III (INCLUDING AVANT MO 2.0T FSI	2005 - on	RR
		A4 III (INCLUDING AVANT MO 3.0 TDI QUATTRO (ALL MODELS)	2005 - on	RR
		A4 III (INCLUDING AVANT MO 3.2 FSI (ALL MODELS)	2005 - on	RR
		A6 III 2.4	10/04 - on	RR
		A6 III 2.5 TDI (ALL MODELS)	2004 - on	RR
		A6 III 3.0 TDI	10/04 - on	RR
		A6 III 3.2 FSI	10/04 - on	RR
		A6 III 4.2 V8	10/04 - on	RR
		VW	CADDY MPV 1.6 (ALL MODELS)	10/04 - on
	CADDY MPV 1.9 TDI		10/04 - on	RR
	EOS 2.0 TFSI		2007 - on	RR
	GOLF 5 2.0 FSI , 2.0 TDI SPORTLINE		2004 - on	RR
	GOLF 5 2.0 GTI		2005 - on	RR
	JETTA 5 2.0 FSI (ALL MODELS)		2006 - on	RR
	JETTA 5 2.0 TDI (ALL MODELS)		2006 - on	RR
	PASSAT 1.9 TDI		2005 - on	RR
	PASSAT 1.9TDI - ALTERNATE		2005 - on	RR
	PASSAT 2.0 FSI (ALL MODELS)		2005 - on	RR
	PASSAT 2.0 FSI (ALL MODELS) - ALTERNATE		2005 - on	RR
	PASSAT 2.0 TDI (ALL MODELS)		2005 - on	RR
	PASSAT 2.0 TDI (ALL MODELS) - ALTERNATE		2005 - on	RR
	PASSAT 2.0T FSI		2005 - on	RR
	PASSAT 2.0T FSI - ALTERNATE		2006 - on	RR
	PASSAT 3.2 V6		2006 - on	RR
	PASSAT 3.2 V6 - ALTERNATE		2006 - on	RR
	TOURAN 1.9 TDI		2006 - on	RR
	TOURAN 2.0 FSI		2004 - on	RR
	TOURAN 2.0 TDI		2004 - on	RR
	CADDY 1.6I (ALL MODELS)	2004 - on	RR	
CADDY 1.9 TDI (ALL MODELS)	2005 - on	RR		
CADDY 2.0 SDI	2005 - on	RR		

BUYERS GUIDE REAR DISC PADS & SHOES

PART No.	MAKE	MODEL	YEAR	RR		
FDB1637	SEAT	ALTEA 2.0 FSI	2006 - on	RR		
		ALTEA 2.0 TDI	2006 - on	RR		
	VW	GOLF 5 1.6 COMFORTLINE, TRENDLINE	2004 - on	RR		
		GOLF 5 1.9 TDI COMFORTLINE	2004 - on	RR		
		GOLF 5 2.0 COMFORTLINE, TRENDLINE	2005 - on	RR		
		JETTA 5 1.6 COMFORTLINE, TRENDLINE	2006 - on	RR		
		JETTA 5 1.9 TDI COMFORTLINE	2006 - on	RR		
		JETTA 5 2.0 COMFORTLINE, TRENDLINE	2006 - on	RR		
		POLO CLASSIC II 1.9 TDI (77KW)	11/04 - on	RR		
		POLO CLASSIC II 2	10/04 - on	RR		
		POLO HATCH 1.8T GTI	2006 - on	RR		
		POLO HATCH 1.9 TDI (77KW)	10/02 - on	RR		
		POLO HATCH 1.9 TDI SPORTLINE (96KW)	10/04 - on	RR		
		POLO HATCH 2	10/04 - on	RR		
FDB164	ALFA 6	ALFA 6 2.5 V6	1981 - 85	RR		
	BMW	7 SERIES 728 (E23)	1978 - 1980	RR		
		7 SERIES 730 (E23)	1978 - 1980	RR		
		7 SERIES 733i (E23)	1978 - 1987	RR		
	PORSCHE	911 SERIES 2.7	1972 - 77	RR		
		911 SERIES 3.0 CARRERA	1972 - 77	RR		
		911 SERIES 3.0 SC, SPORT	09/77 - 07/83	RR		
		911 SERIES 3.0 TURBO	1974 - 77	RR		
			1978 - 81	RR		
		911 SERIES 3.2 CARRERA	09/83 - 06/89	RR		
FDB1649	TOYOTA	AVENSIS 2	2006 - on	RR		
		AVENSIS 2.2 D-4D	2006 - on	RR		
		AVENSIS 2.4	2006 - on	RR		
		COROLLA VERSO 1.6, 160 (ALL MODELS)	2005 - on	RR		
		COROLLA VERSO 1.8, 180 (ALL MODELS)	2005 - on	RR		
FDB1655	AUDI	A8 4.2 QUATTRO	04/04 - on	RR		
		S6 5.2 V10 QUATTRO	2007 - on	RR		
		S8 5.2 V10 QUATTRO	2007 - on	RR		
FDB1660	JEEP	CHEROKEE 2.4 SPORT (WITH REAR DISCS)	2002 - on	RR		
		CHEROKEE 2.5 CRD (TD) (ALL	08/01 - on	RR		
		CHEROKEE 2.8 CRD LIMITED & SPORT	2005 - on	RR		
		CHEROKEE 2.8 TD LIMITED & SPORT - WITH REAR DISCS	2003 - on	RR		
		CHEROKEE 3.7L (ALL MODELS) - WI	08/01 - on	RR		
FDB1665	LAMBIRGHINI	GALLARDO 5.0	2003 - on	RR		
FDB1672	BMW	5 SERIES 545i (E60)	12/03 - on	RR		
		6 SERIES 645 CI	04/04 - on	RR		
		6 SERIES 650 CI (ALL MODELS)	2005 - on	RR		
		7 SERIES 740i (E65)	2005 - on	RR		
		7 SERIES 745i (E65)	2002 - on	RR		
		7 SERIES 750i (E65)	2005 - on	RR		
		7 SERIES 750Li (E65)	2005 - on	RR		
		7 SERIES 760i (E65, E66)	2006 - on	RR		
		7 SERIES 760Li	03/03 - on	RR		
		M SERIES M5 (E60)	2006 - on	RR		
		M SERIES M6 (ALL MODELS)	2006 - on	RR		
		FDB1673	BMW	7 SERIES 730 D	05/03 - on	RR
				7 SERIES 735i (E65)	2002 - on	RR
FDB1675	MAZDA 3	1.6,2.0 (ALL MODELS)	07/04 - on	RR		
	MAZDA 5	2.0i (ALL MODELS)	2007 - on	RR		
	VOLVO	C30 2	2007 - on	RR		
		C30 2.5 T5	2007 - on	RR		

BUYERS GUIDE REAR DISC PADS & SHOES

PART No.	MAKE	MODEL	YEAR	RR
		S40/V40 S40 1.8	2005 - on	RR
		S40/V40 S40 2.0	2006 - on	RR
		S40/V40 S40 2.0D	2005 - on	RR
		S40/V40 S40 2.4i	05/04 - on	RR
		S40/V40 S40 T5	05/04 - on	RR
		V50 1.8	2005 - on	RR
		V50 2.0, 2.0D (ALL MODELS)	2005 - on	RR
		V50 2.4i (ALL MODELS)	2004 - on	RR
		V50 2.5 T5 (ALL MODELS)	2004 - on	RR
FDB1676	MINI COOPER	(NEW) ALL MODELS	03/03 - on	RR
FDB1679	HONDA	CR-V, CRX, HR-V CR-V 2.0	07/02 - on	RR
		CR-V, CRX, HR-V CR-V 2.0 RVI, RVSI	2004 - on	RR
		FR-V 1.6	2004 - on	RR
		FR-V 1.8	2007 - on	RR
		FR-V 2	2005 - on	RR
FDB1684	TOYOTA	LEXUS LS 400	93 - 94	RR
			95 - 00	RR
FDB1686	TOYOTA	CAMRY 2.4 XLI, GLI	03/03 - on	RR
		CAMRY 3.0 V6	03/03 - on	RR
FDB1689	TOYOTA	LEXUS LS 430	2000 - on	RR
FDB1693	NISSAN	MURANO 3.5i V6	2006 - on	RR
		QASHQAI 1.5 ALL MODELS	02/07 - on	RR
		QASHQAI 1.6 ALL MOELS	02/07 - on	RR
		QASHQAI 2.0 ALL	02/07 - on	RR
		X-TRAIL ALL MODELS	2001 - on	RR
		X-TRAIL 2.0 ALL MODELS	2007 - on	RR
		X-TRAIL 2,5 ALLMODESL	2007 - on	RR
FDB1713	JAGUAR	S - TYPE 4.2 V8	2002 - on	RR
FDB1721	MAZDA 6	2.3 MPS	2006 - on	RR
FDB1727	PEUGEOT 407	2.0 HDI S/W	11/04 - on	RR
		2.0 HDI ST	11/04 - on	RR
		2.0 ST ALL MODELS	07/04 - on	RR
		2.0 S/WAGON	11/04 - on	RR
		2.2 ST SPORT	07/04 - on	RR
		2.7 HDI	2006 - on	RR
		3.0 ST EXECUTIVE	07/04 - on	RR
		3.0 V6 S/WAGON	11/04 - on	RR
FDB1736	KIA	SORENTO 2.5 TD	03/03 - on	RR
		SORENTO 3.5 V6	03/03 - on	RR
FDB1748	BMW	5 SERIES 523i (E60)	2005 - on	RR
		5 SERIES 525i (E60)	12/03 - on	RR
		5 SERIES 530D & 530i (E60)	12/03 - on	RR
FDB1756	TOYOTA	LEXUS RX 300 , XE	04/03 - on	RR
		LEXUS RX 300 , XE (ALTERNATE)	04/03 - on	RR
FDB1759	MAZDA	RX SERIES RX-8	11/03 - on	RR
FDB1766	SAAB	40246 ALL MODELS	2002 - on	RR
		40246 MODELS WITH 16" RIMS	2002 - on	RR
FDB1770	RENAULT CLIO III	1.4 (ALL MODELS)	2006 - on	RR
		1.5 DCI	2006 - on	RR
		1.6 (ALL MODELS)	2006 - on	RR
		MODUS 1.2, 1.4 (ALL MODELS)	2005 - on	RR
FDB1777	VW CRAFTER 5T	ALL MODELS	2006 - on	RR
FDB1780	VW CRAFTER 3.6	ALL MODELS	2006 - on	RR
FDB1782	MERCEDES BENZ	A-CLASS (W168 SERIES) A160 LONG	2001 - on	RR
		A-CLASS (W168 SERIES) A190 (ALL MODELS)	2000 - on	RR

BUYERS GUIDE REAR DISC PADS & SHOES

PART No.	MAKE	MODEL	YEAR	RR
FDB1784	CITROEN C4	A-CLASS (W169 SERIES) A170, A180 CDI, A200	2005 - on	RR
		B170 B200 CDI	2006 - on	RR
		B170 B200 T	2006 - on	RR
		1.6 16V	2005 - on	RR
		1.6 HDI	2005 - on	RR
		1.6 VTR COUPE	2005 - on	RR
FDB1788	AUDI A4 III	(INCLUDING AVANT MO 1.8T (ALL MODELS))	2005 - on	RR
		(INCLUDING AVANT MO 2.0 (ALL MODELS))	2005 - on	RR
		(INCLUDING AVANT MO 2.0 TDI (103KW))	2005 - on	RR
FDB1795	ALFA 159	C3 1.4 PLURIEL CABRIO	2003 - on	RR
		C3 1.6	2003 - on	RR
		C3 1.6 PLURIEL CABRIO	2003 - on	RR
		1007 1.6	2005 - on	RR
		307 1.6 XR & XT	2001 - on	RR
		307 1.6 HDI	10/04 - on	RR
		307 X-LINE 1.6	2005 - on	RR
		307 X-LINE 1.6 HDI	2005 - on	RR
		307 X-LINE 1.6 - ALTERNATE	2007 - on	RR
		307 2.0 CC (100KW)	2004 - on	RR
FDB1796	ALFA 159	307 2.0 CC (130KW)	2004 - on	RR
		307 2.0 HDI	2001 - on	RR
		307 2.0 XS (ALL MODELS)	2001 - on	RR
		307 2.0 SW	2002 - on	RR
		307 2.0 XS (ALL MODELS) - ALTERNATE	2005 - on	RR
		EOS 2.0 FSI	2007 - on	RR
		POLO CLASSIC II 1.4, 1.4 TDI, 1.6 (MODELS WITH WEAR SENSOR)	10/02 - on	RR
		POLO CLASSIC II 1.4, 1.4 TDI, 1.6 (MODELS WITHOUT WEAR SENSOR)	10/02 - on	RR
		POLO HATCH 1.4, 1.4 TDI, 1.6 (MODELS WITH WEAR SENSOR)	10/02 - on	RR
		POLO HATCH 1.4, 1.4 TDI, 1.6 (MODELS WITHOUT WEAR SENSOR)	10/02 - on	RR
FDB1797	FIAT CROMA 2.2	2.4 JTD	2007 - on	RR
		3.2 JTS V6 Q4	2006 - on	RR
		BRERA 3.2 Q4	2007 - on	RR
		SPIDER 3.2 V6 Q4	2007 - on	RR
FDB1806	BMW	1.9 JTS	2006 - on	RR
		159 2.2 JTS	2006 - on	RR
		BRERA 2.2 JTS	2006 - on	RR
FDB1807	BMW	SPIDER 2.2 JTS	2007 - on	RR
		(ALL MODELS)	2005 - on	RR
FDB1807	BMW	1 SERIES (E87) 116i	2005 - on	RR
		1 SERIES (E87) 118i	2005 - on	RR
		1 SERIES (E87) 118D	2005 - on	RR
		1 SERIES (E87) 120i	09/04 - on	RR
		1 SERIES COUPE & CONVERTIB 120 i	2008 - on	RR
		1 SERIES COUPE & CONVERTIB 125 i	2008 - on	RR
		1 SERIES (E87) 120D	2005 - on	RR
FDB1807	BMW	1 SERIES (E87) 130i	2005 - on	RR
		1 SERIES COUPE & CONVERTIB 120 D	2008 - on	RR
		3 SERIES 320D (E90)	2006 - on	RR

BUYERS GUIDE REAR DISC PADS & SHOES

PART No.	MAKE	MODEL	YEAR	RR
		3 SERIES 320D (E91) TOUR	2006 - on	RR
		3 SERIES 320i (E90)	2006 - on	RR
		3 SERIES 320i (E91) TOUR	2006 - on	RR
		3 SERIES 323i (E90)	2006 - on	RR
		3 SERIES 325i (E90)	2006 - on	RR
		3 SERIES 325i (E91) TOUR	2006 - on	RR
		3 SERIES 325i (E92) COUP	2006 - on	RR
FDB1808	BMW	3 SERIES 330D (E90)	2006 - on	RR
		3 SERIES 330i (E90)	2006 - on	RR
		3 SERIES 335i (E92) COUP	2006 - on	RR
		3 SERIES 335i (E93) CONV	2006 - on	RR
FDB1809	MERCEDES BENZ	CLK SERIES (A209 SERIES) CLK63 AMG	2006 - on	RR
		CLS SERIES CLS 55 AMG	2006 - on	RR
		E-CLASS (W211 SERIES) E320	2002 - on	RR
		E-CLASS (W211 SERIES) E55 AMG	11/02 - on	RR
		E-CLASS (W211 SERIES) E63 AMG	2006 - on	RR
		S-CLASS (W221 SERIES) S600L AMG	2006 - on	RR
		S-CLASS (W221 SERIES) S63 AMG	2007 - on	RR
		S-CLASS (W221 SERIES) S65 L AMG	2007 - on	RR
		SL-CLASS (R230 SERIES) SL55 AMG	2002 - on	RR
		SL-CLASS (R230 SERIES) SL65 AMG	2005 - on	RR
		SLK SERIES (R171 SERIES) SLK55 AMG	2004 - on	RR
FDB1831	MERCEDES BENZ	CLS SERIES CLS 350	2006 - on	RR
		GL SERIES GL320 CDI	2006 - on	RR
		GL SERIES GL500	2006 - on	RR
		M-CLASS (W164 SERIES) ML320 CDI	2005 - on	RR
		M-CLASS (W164 SERIES) ML350	2005 - on	RR
		M-CLASS (W164 SERIES) ML500	2005 - on	RR
		M-CLASS (W164 SERIES) ML63 AMG	2006 - on	RR
FDB1835	AUDI Q7	3.0 TDI QUATTRO	2006 - on	RR
		3.0 FSI QUATTRO 19" WHEELS	2006 - on	RR
		3.6 FSI QUATTRO	2007 - on	RR
		4.2 FSI QUATTRO	2007 - on	RR
FDB1838	CITROEN C6	2.2 HDi	2006 - on	RR
		2.7 HDi	2005 - on	RR
		3.0 HDi	2005 - on	RR
FDB184	CITROEN C4	16V VTS COUPE	2004 - on	RR
FDB1841	HYUNDAI	TERRACAN 2.9CRDI	11/03 - on	RR
		TERRACAN 3.5 V6	11/03 - on	RR
FDB1858	FIAT	GRANDE PUNTO 1.2 ACTIVE	2006 - on	RR
		GRANDE PUNTO 1.3 (ALL MODELS)	2006 - on	RR
		GRANDE PUNTO 1.4 (ALL MODELS)	2006 - on	RR
		GRANDE PUNTO 1.9 DIESEL	2006 - on	RR
FDB1862	HONDA	CIVIC 1.8 (ALL MODELS)	2006 - on	RR
FDB1867	SAAB	40307 ALL MODELS	1999 - on	RR
FDB1875	SUZUKI	SX4	2006 -	RR
FDB1878	VW	TOUAREG 3.0 V6 TDI	11/06 - on	RR
	VW	TOUAREG 3.2 V6	11/06 - on	RR
FDB1882	NISSAN	NAVARA 2.5Dci ,4.0i (WITH REAR DISCS)	2005 - on	RR
		PATHFINDER 2.5D, 2.5 DCI	2005 - on	RR
		PATHFINDER 4	2005 - on	RR
FDB1885	FORD	MONDEO 2.0 GHIA & TREND	2004 - on	RR
		MONDEO ST220	2004 - on	RR
	JAGUAR	X - TYPE ALL - ALTERNATE	2004 - on	RR
	PROTON	GEN. 2 1.6 (ALL MODELS)	2005-2007	RR

BUYERS GUIDE REAR DISC PADS & SHOES

PART No.	MAKE	MODEL	YEAR	RR
FDB1892	TOYOTA	RAV 4 2.2D-4D (ALL MODELS)	2006 - on	RR
FDB1894	MAZDA	MX SERIES MX-5 2.0	2005 - on	RR
FDB1902	KIA	PICANTO 1.1 EX (ALL MODELS)	2004 - on	RR
FDB1903	JAGUAR	XK8 - ALL MODELS	1997 - on	RR
		XK8 4.2 COUPE & CONVERTIBLE	07/03 - on	RR
		XKR 4.2 CONVERTIBLE	07/03 - on	RR
FDB1910	HYUNDAI	SANTE FE CRDI	2005 - on	RR
FDB1922	OPEL	CORSA D 1.0 ALL MODELS (75 HP)	2009 - on	RR
		CORSA D 1.2 ALL MODELS (75 HP)	2009- on	RR
		CORSA D 1.3 ALL MODELS (75 HP)	2009- on	RR
		CORSA D 1.3 CDTi (90 HP)	2009 -on	RR
		CORSA D 1.7 CDTi	2009 - on	RR
FDB1931	FORD	FOCUS II 1.6, 2.0 (ALL MODELS)	2005 - on	RR
		FOCUS II 2.0 TDCI (ALL MODELS)	2005 - on	RR
		FOCUS II 2.5 ST	2006 - on	RR
	LAND ROVER	FREELANDER II 2.2D S, SE, HSE	2007 - on	RR
		FREELANDER II 3,2 V6 S, SE, HSE	2007 - on	RR
FDB1935	CHEVROLET	CAPTIVA 2.4 (ALL MODELS)	2007 - on	RR
FDB1937	SSANGYONG	ACTYON A200 (ALL MODELS)	2006 - on	RR
		KORANDO ALL MODELS (FACE - LIFT)	2000 - on	RR
		KYRON 2.0XDI (ALL MODELS)	2005 - on	RR
		MUSSO ALL MODELS (FACE - LIFT)	2000 - on	RR
		MUSSO SPORTS 2.9 (ALL MODELS)	2004 - on	RR
		REXTON 270 XDI	2004 - 2006	RR
			2006 - on	RR
		REXTON E230EL	2002 - on	RR
		REXTON E320EL	2002 - on	RR
		REXTON TD290	2002 - on	RR
FDB1944	FORD	TERRITORY 4.0 GHIA (ALL MODELS)	2005 - on	RR
		TERRITORY 4.0 TX	2005 - on	RR
		TERRITORY 4.0I ST	2006 - on	RR
FDB1949	JAGUAR	S - TYPE 4.2 V8 TYPE R	2003 - on	RR
FDB1953	CHRYSLER	300C 2.7	2005 - on	RR
		300C 3.0 CRD	2005 - on	RR
		300C 3.5	2005 - on	RR
		300C 5.7	2005 - on	RR
FDB1956	HYUNDAI	ACCENT 1.6 GLS HIGH SPEC (ALL MODELS)	2006 - on	RR
	KIA	RIO 1.4 HIGH SPEC (ALL MODELS)	2005 - on	RR
FDB1975	MINI	COOPER (NEW) COOPER S 1.6 R56	2007 - on	RR
FDB1980	MERCEDES BENZ	C-CLASS (W204 SERIES) C180K (ALL MODELS)	2008 - on	RR
		C-CLASS (W204 SERIES) C200K (ALL MODELS)	2007 - on	RR
		C-CLASS (W204 SERIES) C220 CDI (ALL MODELS)	2007 - on	RR
		C-CLASS (W204 SERIES) C280 (ALL MODELS)	2007 - on	RR
		C-CLASS (W204 SERIES) C320 CDI (ALL MODELS)	2007 - on	RR
		C-CLASS (W204 SERIES) C350 (ALL MODELS)	2007 - on	RR
FDB2	CHEVROLET	SENATOR - ALTERNATE	1979 - 82	RR
	MERCEDES BENZ	280SL; SLC (R107 SERIES) - 280SL - IMPORTED	1986 - 89	RR
		300SE (W126 SERIES)	1986 - 92	RR
		300SL (R107 SERIES) - IMPO 300SL (R107 SERIES) - IMP	1986 - 89	RR
		380 SEC (W126 SERIES) 380 SEC (W126 SERIES)	1981 - 86	RR
		420SE 420SE	1986 - 92	RR
		450SL; SLC (R107 SERIES) - IMPORTED	1986 - 89	RR
		500SE; 560SE; SEC; (W126 SERIES)	1989 - 93	RR
		500SEC (W126 SERIES)	1981 - 86	RR
		500SL; SLC (R107 SERIES) - IMPORTED	1986 - 89	RR

BUYERS GUIDE REAR DISC PADS & SHOES

PART No.	MAKE	MODEL	YEAR	RR
		ALL MODELS	1973 - 76	RR
			1977 - 80	RR
		ALL MODELS EXCEPT 380SEC & 500SEC	1981 - 86	RR
		W114/115 SERIES 220, 220D, 230, 230/6	1968 - 1973	RR
		W114/115 SERIES 230, 230/6	1973 - 1977	RR
		W114/115 SERIES 280S, 280SE	1968 - 1973	RR
		W116 SERIES 280S, 280SE, 350SE	1973 - 1979	RR
			1980 - 1981	RR
		W123 SERIES 230, 230E, 250, 280E, 300D	1980 - 1986	RR
		W123 SERIES 230, 250, 280E, 300D	1977 - 1979	RR
		W126 SERIES 280SE	1981 - 1987	RR
		W126 SERIES 300SE	1986 - 1992	RR
		W126 SERIES 380SE	1981 - 1987	RR
		W126 SERIES 380SEC	1981 - 1985	RR
		W126 SERIES 420SE	1986 - 1992	RR
		W126 SERIES 500SE	1989 - 1993	RR
		W126 SERIES 500SEC	1981 - 1985	RR
		W126 SERIES 560SE, 560SEC	1989 - 1993	RR
	OPEL	COMMODORE 3.0	1985 - 89	RR
		SENATOR 3.0	1982 - 86	RR
	PORSCHE	911 SERIES 2.2	1970 - 71	RR
		911 SERIES 2.3	1972 - 73	RR
		914 SERIES 2.0 VW PORSCHE 6	1969 - 73	RR
		924 SERIES 2.0 (NOT TURBO)	04/77 - 07/85	RR
	VOVLO	144 - 164 144 & 164 - TEVES SYSTEM	1972 - 76	RR
		850 GLT SEDAN	1994 - on	RR
		850 GLT SPORTWAGON	1994 - on	RR
		850 GLT TURBO	1994 - on	RR
		960 3.0 (ALL MODELS) - ALTERNATE	1994 - 00	RR
		C70/S70/V70 C70 COUPE	1997 - on	RR
		C70/S70/V70 S70 SEDAN, V70 ESTATE (ALL MODELS)	1997 - on	RR
FDB210	BMW	3 SERIES 320I IMPORTED	1983 - 85	RR
		3 SERIES 323I IMPORTED	1983 - 85	RR
FDB22	FIAT	124	1967 - 68	RR
			1969 - 77	RR
		125	1969 - 75	RR
		132	1975 - 78	RR
		ELITA	1978 - 80	RR
		X1/9	1977 - 80	RR
FDB222	ALFA	164 3.0 V6 SUPER & Q4	1993-99	RR
		500 AVANT 2.6 V6	1994 - on	RR
		500 E, SE, SEL	1992 - 95	RR
		500 QUATTRO S4 2.2	1992-	RR
		500 TURBO	1989 - on	RR
		500 TURBO - ALTERNATE	1990 - on	RR
		QUATTRO	1980 - 85	RR
			1985 - 87	RR
			1987 - 90	RR
		QUATTRO COUPE 2.8E	1995 - on	RR
		QUATTRO S2 20V 2.2	1991 - on	RR
		QUATTRO TURBO S6	1993 - on	RR
		QUATTRO TURBO S6 (ALTERNATE)	1993 - on	RR
		(INCLUDING AVANT MODELS 1.8 (NON TURBO) - ATE CALIPER- WITHOUT WEAR SENOR	95 - 07/97	RR
		(INCLUDING AVANT MODELS 1.8 (NON TURBO) -	08/97 - 04/99	RR

BUYERS GUIDE REAR DISC PADS & SHOES

PART No.	MAKE	MODEL	YEAR	RR
		LUCAS CALIPER - WITHOUT WEAR SENSOR (INCLUDING AVANT MODELS 1.8 (TURBO MODELS)	07/97	RR
		- ATE CALIPER -WITHOUT WEAR SENSOR (INCLUDING AVANT MODELS 2.4, 2.6, 2.8 (ALL MODELS)	07/97	RR
		- WITH WEAR SENSOR		
		A6 I 2.2T	1995 - on	RR
		A6 I 2.6 AVANT	95 - 98	RR
		A6 I 2.6E, 2.8E	1995 - 97	RR
		CABRIO 2.6 CABRIOLET	1995 - 00	RR
		CABRIO 2.6 CABRIOLET (WITH WEAR SENSOR)	1995 - 00	RR
	LANCIA	THEMA 2.0IE 16V TURBO, 2.8 V6	01/92 - on 12/88 - 12/91	RR RR
		THEMA 3.0I V8 32V	01/89 - on 1987 - 12/88	RR RR
		THEMA ALL MODELS EXCEPT 3.0I V8 32V	1985 - 11/88	RR
	VW	1.6 ALL MODELS 1.8 GTI (8V)	1984 - 92	RR
		JETTA 2 1.8 CLI	1984 - 87	RR
		JETTA 3 CLI 2.0	1992 - 99	RR
		PASSAT CLI	1984 - 88	RR
FDB228	NISSAN	200 - 370 SERIES 280ZX	1980 - 85	RR
FDB26	CITROEN	DS19, DS20 & DS20-5 HANDBRA DS19, DS20 & DS20-5 HANDBRAKE	1967 - 73	RR
FDB262	MAZDA	RX SERIES RX7	1981 - 84	RR
FDB279	MAZDA	626 SERIES 2.0 SLI 16V	1989 - 92	RR
FDB282	TOYOTA	CRESSIDA 2.8I	1985 - 86	RR
FDB284	NISSAN	200 - 370 SERIES 300ZX SKYLINE 2.8 GLX & GTX	09/87 - 03/90 1982 - 87	RR RR
FDB290	TOYOTA	CELICA SUPRA	1981 - 07/86	RR
FDB296	BMW	3 SERIES 320I (E30)	1983 - 91	RR
		3 SERIES 323I (E30)	1983 - 91	RR
		3 SERIES 325I (E30)	1986 - 91	RR
		3 SERIES 325I - SHADOW LINE (E30)	1986 - 91	RR
		3 SERIES 325IS (E30)	1987 - 92	RR
		3 SERIES 325IS (E30) - (A	1987 - 92	RR
		3 SERIES 333I (E30)	1985 - 87	RR
		5 SERIES 520I (E28)	1985 - 1989	RR
		5 SERIES 525E (E28)	1986 - 1989	RR
		5 SERIES 528I (E28)	1985 - 1989	RR
		5 SERIES 535I (E28)	1985 - 1989	RR
		6 SERIES 635 CSI	1983 - 89	RR
		7 SERIES 728I (E23)	1980 - 1987	RR
		7 SERIES 735I (E23)	1981 - 1987	RR
		7 SERIES 745I (E32)	1984 - 1987	RR
		M SERIES M5	1986 - 89	RR
	FERRARI	308 GT4, GTB & GTS	1982 - on	RR
		MONDIAL 3.0 16V	1981 - on	RR
		MONDIAL 3.0 32V	1983 - on	RR
		MONDIAL 3.0 CABRIOLET	1984 - on	RR
		MONDIAL 3.2	1985 - on	RR
FDB3	ALFA	GIULIA - GIULETTA GIULIA 1.3 & 1.6	1967 - 77	RR
		GIULIA - GIULETTA GIULIA 1750	1969 - 73	RR
		GIULIA - GIULETTA GIULIA 2000	1972 - 77	RR
		GIULIA - GIULETTA GIULIETTA 1750 & 2000	1969 - 74	RR
		GT - GTV GT JUNIOR 1.3 & 1.6	1969 - 77	RR
		GT - GTV GTV BERLINA 1750 & 2000	1969 - 77	RR

BUYERS GUIDE REAR DISC PADS & SHOES

PART No.	MAKE	MODEL	YEAR	RR
	BMW	2.5, 2.8, 3.0 & S & L	1968 - 79	RR
		5 SERIES 525 (E12)	1974 - 1978	RR
		5 SERIES 528 (E12)	1975 - 1978	RR
	PORSCHE	911 SERIES 2	1965 - 69	RR
		912 SERIES 1.6	1965 - 70	RR
FDB30	LANCIA	FLAVIA / FULVIA FLAVIA & FULVIA NON SERVO	1965 - 74	RR
FDB301	HONDA	PRELUDE	1984 - 87	RR
			1988 - 90	RR
FDB328	FORD	SIERRA XR8	1984 - 87	RR
	MECRDES BENZ	190E 1.8; 2.0 (W201 SERIES)	1982 - 87	RR
		190E 1.8; 2.0; 2.3 (W201SERIES)	1987 - 94	RR
FDB330	PORSCHE	924 SERIES 2.0 TURBO	08/79 - 08/82	RR
		924 SERIES 2.5 S	09/85 - 01/88	RR
		928 SERIES 4.5 16V	12/79 - 07/82	RR
			1977 - 12/79	RR
		928 SERIES 4.7 S 16V	1981 - 08/83	RR
		944 SERIES 2.5 (NOT TURBO)	04/82 - 06/89	RR
		944 SERIES 2.5 S 16V	1986 - 88	RR
FDB35	FERRARI	400 GT	1976 - on	RR
		BERLINETTA BOXER	1975 - on	RR
FDB360	LANCIA	DELTA 1600 TURBO	6/86 - on	RR
		PRISMA ALL MODELS	1986 - on	RR
FDB372	MAZDA 6	2.0 ELEGANT	02/03 - on	RR
		2.3 SPORTY	02/03 - on	RR
		626 SERIES 2.0 S/WAGON	1998 - 2002	RR
		ETUDE 180I (ALL MODELS)	2004 - on	RR
FDB398	FORD	SAPPHIRE 3.0 GLX	1989 - 93	RR
		SAPPHIRE 3.0L GHIA, 3.0I RS	1991 - 93	RR
		SIERRA 3	1989 - 93	RR
		SIERRA XR6	6/1989 - 93	RR
FDB4000	SSANGYONG	STAVIC 270XDI	2006 - on	RR
FDB4001	TOYOTA	LEXUS GS 300 (ALL MODELS)	2006 - on	RR
FDB4004	PEUGEOT	308 1.6	2008 - on	RR
		308 HDI	2008 - on	RR
		308 CC	2008 - on	RR
FDB4041	TOYOTA	YARIS 1.0, 1.3 VVTi D-4D	2006 - on	RR
FDB4048	TOYOTA	AURIS 1.4 RT, RS	2007 - on	RR
		AURIS 1.6 RT, RS, RS M-MT	2007 - on	RR
		AURIS 1.8 RS, RX	2007 - on	RR
		AURIS 2.0 RS, RX D-4D	2007 - on	RR
		COROLLA 140I	2006 - on	RR
		COROLLA 160 I	2006 - on	RR
		COROLLA 180I	2006 - on	RR
		COROLLA 2.0 D-4D	2006 - on	RR
FDB4050	AUDI	A5 COUPE 2.0T FSI	2009 - on	RR
		A5 COUPE 3.2 FSI	2008 - on	RR
		A5 COUPE 3.0 TDI	2009 - on	RR
		A5 CABRIO 2.0T FSI	2009 - on	RR
		A5 CABRIO 3.2 FSI	2008 - on	RR
		A5 CABRIO 3.0 TDI	2009 - on	RR
		4.2 FSI QUATTRO 4.2 FSI QUATTRO		RR
		Q5 2.0 TDI QUATTRO	2009 - on	RR
		Q5 3.2 FSI QUATTRO	2009 - on	RR
FDB4058	VW	TIGUAN TIGAN 1.4 ALL MODELS	09/07 - on	RR
		TIGUAN TIGAN 2.0 ALL MODELS	09/07 - on	RR

BUYERS GUIDE REAR DISC PADS & SHOES

PART No.	MAKE	MODEL	YEAR	RR
FDB4067	BMW	X-5 SERIES (E70) X5 XDRIVE30i	2007- on	RR
FDB409	ALFA	145 2.0 QUADRIFOGLIO	1994 - 02/95	RR
		146 2.0 TI TWIN SPARK SEDAN	1994 - 02/95	RR
	FIAT	UNO RANGE TURBO 1400	1990 - 99	RR
FDB4178	SEAT	LEON 2.0 FSI	2006 - on	RR
		LEON 2.0 TDI	2006 - on	RR
		LEON 2.0 TFSI	2006 - on	RR
FDB4190 (1KE Caliper)	AUDI	4.2 FSI QUATTRO		RR
FDB4193	KIA	CARENS III(ALL MODELS)	2006-on	RR
FDB4195	8 4.2	V8 QUATTRO	2007 - on	RR
FDB4196	DODGE	JOURNEY 2.7	2008-on	RR
		JOURNEY 2.0 CRD	2008-on	RR
FDB4217	BMW	1 SERIES COUPE & CONVERTIB 135 i	2008 - on	RR
FDB4230	TOYOTA	LANDCRUISER PICK UP 4.5D	2008 - on	RR
FDB4235	HYUNDAI	1.4 I 1.4 I		RR
		1.6 I 1.6 I		RR
FDB4237	VOLVO	S60 XC60	05/2008- on	RR
FDB4239	DODGE	NITRO 2.8I CRD SXT (ALL MODELS)	2007 - on	RR
		NITRO 3.7I R/T, SXT	2007 - on	RR
FDB4247	HYUNDAI	SONATA 2.4 (ALL MODELS)	2005 - on	RR
FDB425	MASERATI	BI-TURBO, 222, 425, SPIDER BI-TURBO, 222, 425, SPIDER	1989 - on	RR
		2.8 GHIBLI 2.8 GHIBLI	1989 - on	RR
FDB4263	CHEVROLET	CRUZE CRUZE 1.6	2009 - on	RR
		CRUZE CRUZE 1.8	2009 - on	RR
FDB4265	CHEVROLET	CRUZE CRUZE 2.0	2009 - on	RR
FDB4286	BMW	G.T. (GRAND TOURISMO) 7 SERIES	2010-	RR
FDB4292	PROTON	GEN. 2 1.6 (ALL MODELS)	2007 - on	RR
FDB43	PEUGEOT	504-505 504GL	1971 - 74	RR
FDB4320	TOYOTA	LANDCRUISER PICK UP 4.7 V8	2008 - on	RR
FDB444	HYUNDAI	SONATA 2.0 GLS	1994 - 99	RR
		SONATA 3.0 GLS V6	1994 - 96	RR
FDB451	FERRARI	F355 BERLINETTA, GTS, SPIDER	1995 - on	RR
	PORSCHE	911 SERIES 3.3 SPORT TURBO	09/77 - 06/89	RR
			01/90 - 06/91	RR
		911 SERIES 3.3 TURBO	07/91 - 09/93	RR
		911 SERIES 3.6 CARRERA 2, 4	09/89 - 09/93	RR
		911 SERIES 3.6 CARRERA RS	09/91 - 06/93	RR
		911 SERIES 3.6 NEW CARRERA TURBO	12/93 - 97	RR
		911 SERIES 3.8 CARRERA	06/95 - on	RR
		928 SERIES 4.7 S SERIES 2 16V	09/83 - 07/86	RR
		928 SERIES 5.0 S SERIES 4, GT 32V	09/86 - 05/92	RR
		928 SERIES 5.4 GTS 32V	05/92 - 01/95	RR
		944 SERIES 2.5 TURBO	09/85 - 08/88	RR
			09/88 - 05/92	RR
		944 SERIES 2.7 S2	1988 - 08/90	RR
		944 SERIES 3.0 S2 16V	01/89 - 05/92	RR
		964 SERIES 964 TURBO	07/91 - 94	RR
		964 SERIES 964 TURBO	1990 - 06/91	RR
		964 SERIES 964/4 (911 CARRERA 4)	1988 - on	RR
		968 SERIES 3.0 16V (NOT CLUB SPORT)	1993 - 95	RR
		968 SERIES 3.0 16V CLUB SPORT	1993 - 95	RR
		968 SERIES 3.0 TURBO	1993 - 95	RR
		993 SERIES CARRERA	1994 - 97	RR
FDB456	LANCIA	DELTA HF INTEGRALE 2.0 16V	1987 - on	RR

BUYERS GUIDE REAR DISC PADS & SHOES

PART No.	MAKE	MODEL	YEAR	RR
		DELTA HF INTEGRALE 2.0 16V - ALTERNATE	1987 - on	RR
		THEMA 2.0IE 16V TURBO 2.8 V6 (ALTERNATE)	01/92 - on	RR
		THEMA 2.0IE 16V TURBO, 2.8 V6 (ALTERNATE)	12/88 - 12/91	RR
FDB469	JAGUAR	XJ6 SERIES XJ6 SOVEREIGN	10/86 - 11/87	RR
FDB470	TOYOTA	MR2 1.6	09/86 - 04/90	RR
		MR2 1.8	2001 - on	RR
		MR2 2	04/90 - 12/91	RR
			12/91 - 05/00	RR
		MR2 2.0 (ALTERNATE)	12/91 - 05/00	RR
FDB471	LAND ROVER	DISCOVERY I ALL MODELS - SOLID DISC	1989 - on	RR
		DISCOVERY I ALL MODELS - VENTILATED DISC	1989 - on	RR
	RANGE ROVER I	VOGUE - SOLID DISC	1986 - 89	RR
		VOGUE - VENT DISC	1989 - on	RR
FDB472	HONDA	BALLADE 160I, 160I TWIN CAM	1989 - 92	RR
FDB477	TOYOTA	CELICA SUPRA	07/86 - 08/93	RR
FDB478	TOYOTA	CAMRY 200I; SI; 220SI; SEI	1998 - 01	RR
		CAMRY 300 SEI	1992 - 97	RR
FDB482	FORD	LASER TX-3	1986 - on	RR
		LASER 1600I SPORT	1986 - 96	RR
		LASER 1.6I TRACER, SPORT	1995 - on	RR
		LASER 2.0I RS	1991 - 94	RR
		METEOR 1600 GLI	1986 - 89	RR
		METEOR 2.0 GLE	1991 - 94	RR
		METEOR 2.0 GLI 16V	1991 - 94	RR
	MAZDA	323 SERIES 1.6 EGI, GLE	1985 - 94	RR
		323 SERIES 1.6I SLE	1988 - on	RR
		323 SERIES 160I MIDGE & STING, 160IS MIDGE	1995 - 99	RR
		323 SERIES 2.0 EGI & SLI	1988 - 91	RR
		323 SERIES 200I 16V, 200E	1991 - 95	RR
		323 SERIES 200E MIDGE	1995 - 97	RR
FDB484	NISSAN	200 - 370 SERIES 200 SX	1995 - 98	RR
FDB506	SAAB	9000 ALL MODELS	1995 - 00	RR
FDB525	OPEL	REKORD 380I; GSI V6 & 380ICD V6	1991 - 95	RR
FDB526	TOYOTA	CRESSIDA 2.8I	1986 - 89	RR
		CRESSIDA 3.0I TWIN CAM	1989 - 93	RR
FDB544	PEUGEOT	405 GR 1.8 ESTATE, SRTD 1.9 ESTATE	1996 - 97	RR
		405 GR 1.8 ESTATE, SRTD 1.9 ESTATE - ALTERNATE	1996 - 97	RR
	RENAULT	MEGANE SCENIC 1.6 16V, 2.0 (WITH REAR DISCS)	09/98 - 07/99	RR
	VW	1.6 ALL MODELS 1.8 GTI (8V) - ALTERNATIVE	1984 - 92	RR
		1.6 ALL MODELS 1.8 GTI (16V)	1986 - 90	RR
		1.6 ALL MODELS 1.8 GTI (16V) - ALTERNATIVE	12/88 - 90	RR
		1.6 ALL MODELS 2.0 16V	1990 - 92	RR
		1.6 ALL MODELS 2.0 16V - ALTERNATIVE	1990 - 92	RR
		GOLF 3 1.8 CABRIO - TO CHASSIS NO 1V000000	1995 - on	RR
		GOLF 3 1.8 CABRIO - FROM CHASSIS NO 1V000001	1995 - 05/98	RR
		GOLF 3 2.0 CABRIO	05/96 - 05/98	RR
			1995 - 04/96	RR
		GOLF 3 GTI 2.0	1992 - 00	RR
		GOLF 3 VR6 2.8	10/93 - 97	RR
			1997 - 99	RR
		JETTA 2 1.8 CLI - ALTERNATE	1984 - 87	RR
		JETTA 2 1.8 CLI & 16V	1987 - 92	RR
		JETTA 2 1.8 CSI	1990 - 92	RR
		JETTA 2 2.0 16V	1990 - 92	RR
		JETTA 2 2.0 16V - ALTERNATE	1990 - 92	RR

BUYERS GUIDE REAR DISC PADS & SHOES

PART No.	MAKE	MODEL	YEAR	RR	
		JETTA 3 CLI 2.0 - ALTERNATE	1992 - 99	RR	
		JETTA 3 VR6 2.8 EXEC	10/93 - 97	RR	
FDB558	CITROEN	XSARA 2	1997 - 00	RR	
		XSARA 2.0 HDI	2001 - on	RR	
		XSARA 2.0 VTS COUPE	2002 - on	RR	
		XSARA PICASSO 1.6, 1.8	2001 - on	RR	
		XSARA PICASSO 1.6, 1.8 - ALTERNATE 1	2001 - on	RR	
		XSARA PICASSO 1.6, 1.8 - ALTERNATE 2	09/01	RR	
		XSARA PICASSO 2.0, 2.0 HDI	10/01-	RR	
		XSARA PICASSO 2.0, 2.0 HDI - ALTERNATE 1	2001 - on	RR	
		XSARA PICASSO 2.0, 2.0 HDI - ALTERNATE 2	09/01	RR	
	PEUGEOT		206 1.6 CC CH. NO. 08778-09078	2001 - on	RR
			206 1.6 CC FROM CH. NO. 09079	2001 - on	RR
			206 1.6 CC TO CH. NO. 08777	2001 - on	RR
			206 XT 1.6 CH. NO. 08778-09078	2001 - on	RR
			206 XT 1.6 FROM CH. NO. 09079	2001 - on	RR
			206 XT 1.6 TO CH. NO. 08777	2001 - on	RR
			206 XS 1.6 S/W	2001 - on	RR
			206 1.6 XS LINE	2003 - on	RR
			206 2.0 CC CH. NO. 08778-09078	2006 - on	RR
			206 2.0 CC FROM CH. NO. 09079	2001 - on	RR
			206 2.0 CC TO CH. NO. 08777	2001 - on	RR
			206 2.0 HDI	2001 - on	RR
			206 XT 2.0 HDI	2004 - on	RR
			206 COUPE 1.6	2004 - on	RR
			206 COUPE 2.0	2001 - on	RR
			206 COUPE 2.0 (ALTERNATE)	2001 - on	RR
			206 GTI 180 2.0 16V	2001 - on	RR
			206 GTI 2.0 CH. NO. 08778-09078	10/03 - on	RR
206 GTI 2.0 FROM CH. NO. 09079			2000 - on	RR	
206 GTI 2.0 TO CH. NO. 08777			2000 - on	RR	
			04/97 - on	RR	
306 1.8 CABRIOLET			1996 - 03/97	RR	
306 1.8 CABRIOLET (ALTERNATE)			1996 - 03/97	RR	
306 GTI 2.0 - FROM CHASSIS NO. S 32 000 001			1998 - on	RR	
306 GTI 2.0 - TO CHASSIS NO. S 32 000 000			1998 - on	RR	
306 S16 2.0 - FROM CHASSIS NO. S 32 000 001			1998 - 99	RR	
306 S16 2.0 - TO CHASSIS NO. S 32 000 000			1998 - 99	RR	
306 XSI 2.0 - FROM CHASSIS NO. S 32 000 001	1998 - 99	RR			
306 XSI 2.0 - TO CHASSIS NO. S 32 000 000	1996 - 00	RR			
306XR 1.6, 1.8 (ALL MODELS)	1996 - 00	RR			
306XR 1.6, 1.8 - FROM CHASSIS NO. S 32 000 001	1998 - 01	RR			
RENAULT		MEGANE 2.0 16V CABRIOLET	1998 - 01	RR	
			04/99 - 01	RR	
		MEGANE 2.0 16V COUPE	1996 - 03/99	RR	
			04/99 - 01	RR	
			1996 - 03/99	RR	
		MEGANE 2.0 16V SPORT COUPE & CABRIOLET	08/99 - 03	RR	
FDB560	PORSCHE	911 SERIES 3.6 TURBO	03/95 - 04/98	RR	
		959 SERIES 2.9	1985 - 91	RR	
		993 SERIES CARRERA RS	1994 - 97	RR	
		993 SERIES TURBO	1994 - 97	RR	
FDB562	SAAB	9000 ALL MODELS - ALTERNATE	1995 - 00	RR	
FDB578	BMW	5 SERIES 520i (E34)	1989 - 1994	RR	
		5 SERIES 530i (E34)	1993 - 1996	RR	

BUYERS GUIDE REAR DISC PADS & SHOES

PART No.	MAKE	MODEL	YEAR	RR
		5 SERIES 535I (E34)	1989 - 1994	RR
		5 SERIES 540I (E34)	1989 - 1996	RR
		7 SERIES 730I (E32)	1987 - 1994	RR
		7 SERIES 735I (E32)	1987 - 1993	RR
		7 SERIES 740I (E32)	1992 - 1994	RR
		7 SERIES 750IL (E32)	1988 - 1992	RR
		M SERIES M3 (E36)	1993 - 98	RR
		M SERIES M5 (E34)	1992 - 94	RR
		Z SERIES Z3 3.2 COUPE & ROADSTER	1999 - 00	RR
FDB586	OPEL	ASTRA 160IE; 180I; 200I; 200IE	07/93 - 98	RR
			1993 - 1993	RR
		ASTRA 200I ESTATE	1996 - 98	RR
		ASTRA 200S TURBO	1993 - 96	RR
		ASTRA EURO 200I ESTATE	1998 - 2000	RR
		ASTRA EURO 200IE, 200I SE	06/98 - 00	RR
		CALIBRA CALIBRA 200I	1992 - 97	RR
		CALIBRA CALIBRA 200I TURBO	1992 - 97	RR
		KADETT KADETT 1.8I	1990 - 93	RR
		KADETT KADETT 2.0 GSI	1990 - 93	RR
		KADETT KADETT 2.0 GSI 16V	1990 - 93	RR
		KADETT KADETT 200I CD 16V	1991 - 93	RR
		KADETT KADETT 200IS	07/93 - 99	RR
			1993 - 1993	RR
		KADETT KADETT 200S TURBO	1993 - 97	RR
		KADETT EURO 200IS	06/98 - 00	RR
		KADETT EURO 200ISE	06/98 - 00	RR
		MONZA MONZA 160 GSI	1990 - 1993	RR
		MONZA MONZA 2.0 CD, CLI 16V	1990 - 1993	RR
	SAAB	900 ALL MODELS	95 - 07/96	RR
FDB596	ALFA	164 2.0 TWIN SPARK	1993 - on	RR
		33 1.7I BOXER & SPORTWAGON (ALTERNATE)	1993 - on	RR
FDB618	NISSAN	SKYLINE 2.0 SGLI	1989 - 92	RR
		SKYLINE 3.0 SGLI	1989 - 92	RR
FDB619	PEUGEOT	406 3.0 V6 COUPE	1998 - on	RR
		605 SV 3.0 V6	1996 - 97	RR
FDB621	MG	MG ZR 120	10/03 - on	RR
		MG ZR 160	10/03 - on	RR
		ZR 2.0TD	10/03 - on	RR
	HONDA	CR-V, CRX, HR-V CRXI 16V	1991 - on	RR
		PRELUDE 2.0I 16V	1990 - 91	RR
		PRELUDE 2.0I 16V - ALTERNATE	1990 - 91	RR
FDB632	DAIMLER	SOVEREIGN 4.0	1990 - on	RR
		XK8	1996 - on	RR
	JAGUAR	XJ6 SERIES XJ6 4.0 L	1990 - 98	RR
		XJ6 SERIES SOVEREIGN 4.0	1990 - 98	RR
		XJS SERIES XJS 4.0 COUPÉ	1990 - on	RR
		XJS SERIES XJS V12 CONVERTIBLE	1990 - on	RR
		XJS SERIES XJS V12 COUPÉ	1990 - on	RR
FDB638	HYUNDAI	ELANTRA 1.6 GLS - LIMITED EDITION WITH ABS	1995 - on	RR
		ELANTRA 1.8 GL, GLI	1994 - on	RR
		ELANTRA 1.8 GLS & S/ WAGON	1996 - 00	RR
		ELANTRA 1.8 GLS	2001 - on	RR
		ELANTRA 2.0 GLS & S/ WAGON	1996 - on	RR
		TIBURON ALL MODELS	1996 - 2003	RR
		TIBURON 2	06/03 - on	RR

BUYERS GUIDE REAR DISC PADS & SHOES

PART No.	MAKE	MODEL	YEAR	RR
		TIBURON 2.7 V6	06/03 - on	RR
	KIA	CERATO 1.6	10/04 - on	RR
		CERATO 2.0CRDI	10/04 - on	RR
FDB644	MERCEDES BENZ	300SL-24V (R129 SERIES) - IMPORTED	1989 - 93	RR
	MERCEDES BENZ	500SL (R129 SERIES) - IMP	1989 - 93	RR
		E-CLASS (W210 SERIES) E220, E230	1996 - 99	RR
		SL-CLASS (R129 SERIES) SL300	1993 - on	RR
		SL-CLASS (R129 SERIES) SL320	1994 - 01	RR
		SL-CLASS (R129 SERIES) SL500	1993 - on	RR
FDB645	MERCEDES BENZ	280SL; SLC (R107 SERIES) - IMPORTED	1986 - 89	RR
		300SL (R107 SERIES) - IMP	1986 - 89	RR
		450SL; SLC (R107 SERIES) - IMPORTED	1986 - 89	RR
		500SE; 560SE; SEC; (W126 SERIES) - ALTERNATE	1989 - 93	RR
		500SL; SLC (R107 SERIES) - IMPORTED	1986 - 89	RR
		W126 SERIES 560SE, 560SEC (ALTERNATE)	1989 - 1993	RR
FDB654	MAZDA	MX SERIES MX-5 1.6	1990 - 93	RR
FDB676	VOLVO	960 3.0 (ALL MODELS)	1994 - 00	RR
		S90/V90/XC90 S90 SEDAN, V90 ESTATE (ALL MODELS)	1997 - on	RR
FDB679	ISUZU	TROOPER 3.2 V6	1988 - 1991	RR
FDB693	MERCEDES BENZ	230E; 260E - IMPORTED - ALTERNATE	1990 - 94	RR
		300CE - IMPORTED - ALTERNATE	1990 - 93	RR
		E-CLASS (W124 SERIES) 230E (IMPORTED MODELS)	1990 - 1994	RR
		E-CLASS (W124 SERIES) 260E (IMPORTED MODELS)	1990 - 1994	RR
		E-CLASS (W124 SERIES) 300CE (IMPORTED) - ALT	1990 - 1993	RR
FDB707	NISSAN	ALMERA 180 5 DOOR HATCH	2001 - on	RR
		PRIMERA 200 SI	1998 - 00	RR
		PRIMERA 200 SI (ALTERNATE)	1998 - 00	RR
		PRIMERA 200 GSI, STI	1998 - 02	RR
		PRIMERA 2.0 LUXURY & ELEGANCE	2001 - 02	RR
FDB71	PEUGEOT	504-505 504GL	1974 - 78	RR
		504-505 504	1978 - 82	RR
		504-505 505 - ALL MODELS	1980 - 85	RR
FDB732	JAGUAR	XJR	1997 - on	RR
FDB756	NISSAN	MAXIMA 3.0E, SE	1991 - 97	RR
FDB778	HONDA	BALLADE 150 (ALL MODELS)	1992 - 96	RR
		BALLADE 150i (ALL MODELS)	04/96 - 00	RR
		BALLADE 160i	1992 - 96	RR
		BALLADE 160E - WITH ABS	1992 - 94	RR
		BALLADE 160i, 160i V-TEC (ALL MODELS)	04/96 - 00	RR
		BALLADE 180E, 180i (ALL MODELS)	1994 - 00	RR
		CIVIC 150i, 160i (ALL MODELS)	1996 - 2000	RR
		CIVIC 160i V-TEC	1996 - 2000	RR
		CIVIC 170i V-TEC (ALL MODELS)	2001 - on	RR
FDB790	SUBARU	IMPREZA 1.8 GL S/WAGON	1995 - 99	RR
		IMPREZA 2.0 GT SEDAN	97 - 00	RR
		LEGACY 2.0 LX T/WAGON	1994 - 97	RR
		LEGACY 2.2 GX SEDAN	1995 - 96	RR
			1997 - 98	RR
		LEGACY 2.2 GX T/WAGON	1994 - 96	RR
			1997 - 00	RR
		SVX 3.3 4WD COUPE	1996 - 98	RR
FDB795	NISSAN	200 - 370 SERIES 200 SX	1991 - 94	RR
FDB796	NISSAN	ALMERA 160 COMFORT (FACE LIFT)	06/03 - on	RR
		ALMERA 180 ELEGANCE	2001 - on	RR
		SENTRA 200 GSI	08/97 - 01	RR

BUYERS GUIDE REAR DISC PADS & SHOES

PART No.	MAKE	MODEL	YEAR	RR
		SENTRA 200 STI	1992 - 02	RR
		SENTRA SABRE 200 GXI	1994 - 97	RR
		SENTRA SABRE 200 GSI	08/97 - 00	RR
FDB799	MERCEDES BENZ	500SE; SEL (W140 SERIES) IMPORTED	1992 - 96	RR
		600SE; SEL (W140 SERIES) IMPORTED	1992 - 99	RR
		ALK SERIES (W208 CABRIOLET ALK 230 & 320	1999 - on	RR
		ALK SERIES (W208 CABRIOLET ALK 430	07/99	RR
			08/99 - on	RR
		ALK SERIES (W208 CABRIOLET ALK 430 (ALTERNATIVE)	07/99	RR
		C-CLASS (W203 SERIES) C320 TO C350 (WITH SPORT PACKAGE) - ALTERNATE	2000 - on	RR
		C-CLASS (W203 SERIES) C32K AMG	2001 - on	RR
		C-CLASS (W203 SERIES) C 55 AMG	2004 - on	RR
		CLK SERIES (A208 COUPE SER CLK320	1997 - on	RR
		CLK SERIES (A208 COUPE SER CLK430	06/03 - on	RR
			08/99 - on	RR
		CLK SERIES (A208 COUPE SER CLK430 (ALTERNATIVE)	06/03 - on	RR
		CLK SERIES (A209 SERIES) CLK500 (ALL MODELS)	2003 - on	RR
		CLK SERIES (A209 SERIES) CLK55 AMG (ALL MODELS)	2003 - on	RR
		E-CLASS (W210 SERIES) E200 KOMPRESSOR	2001 - 02	RR
		E-CLASS (W210 SERIES) E280	2001 - on	RR
		E-CLASS (W210 SERIES) E280, E280 V6	1997 - 01	RR
		E-CLASS (W210 SERIES) E320	1996 - on	RR
		E-CLASS (W210 SERIES) E320 V6, E320TE	1997 - on	RR
		E-CLASS (W210 SERIES) E430, E430TE	1998 - 07/99	RR
		S-CLASS (W140 SERIES) S280	1996 - 98	RR
		S-CLASS (W140 SERIES) S320	1994 - 09/98	RR
		S-CLASS (W140 SERIES) S420	1996 - 98	RR
		S-CLASS (W140 SERIES) S500	1994 - 09/98	RR
		S-CLASS (W140 SERIES) S600	1994 - 09/98	RR
		SL-CLASS (R129 SERIES) SL500	1994 - on	RR
		SL-CLASS (R129 SERIES) SL600	1994 - 00	RR
		SLK SERIES (R170 ROADSTER SLK32 AMG	2001 - on	RR
FDB804	mitsubishi	PAJERO 2.6 4X4	04/91 - 94	RR
		PAJERO 2.8 TD	1995 - 99	RR
		PAJERO 2.8 TDI	1997 - 99	RR
		PAJERO 3.0 GLS	1994 - 97	RR
		PAJERO 3.5 GLS	1995 - 99	RR
		PAJERO 3.0 GLX	1997 - 01	RR
		SHOGUN ALL MODELS	1994 - on	RR
		SPACEGEAR 2.4 GLX MPV	1996 - 99	RR
FDB807	JAGUAR	XJ6 SERIES XJ6 SOVEREIGN	11/87 - 12/89	RR
FDB81	CITROEN	GS 1000	1972 - 74	RR
FDB815	DAIMLER	DOUBLE SIX	1982 - 85	RR
	FIAT	1500 & SABLE	1965 - 69	RR
		2300	1965 - 69	RR
	JAGUAR	E - TYPE ALL MODELS	1968 - 74	RR
		EXECUTIVE SERIES ALL MODELS	1974 - 80	RR
		XJ6 SERIES XJ6, 2.8 & 4.2	1969 - 77	RR
		XJ6 SERIES XJ6	1983 - 86	RR
		XJS SERIES XJS COUPÉ	1980 - 89	RR
	LAMBORGHINI	ESPADA	1970 - 75	RR
	MASERATI	ALL MODELS	1968 - 81	RR
FDB821	JAGUAR	3.8 MKII HANDBRAKE	1965 - 66	RR
	LANCIA	FLAVIA / FULVIA HANDBRAKE - ALL MODELS	1965 - 74	RR

BUYERS GUIDE REAR DISC PADS & SHOES

PART No.	MAKE	MODEL	YEAR	RR
FDB822	DAIMLER	DOUBLE SIX - HANDBRAKE	1982 - 85	RR
	JAGUAR	3.8 S TYPE HANDBRAKE	1967 - 68	RR
		420, MK10 & 420G HANDBRAKE	1965 - 72	RR
		XJ6, 2.8 & 4.2 - HANDBRAKE	1969 - 77	RR
		ROVER	2000 HANDBRAKE	1965 - 69
FDB830	RANGE ROVER I	ALL MODELS	1970 - 83	RR
FDB844	LAND ROVER	90 SERIES DEFENDER 2.5 TD5 - ALTERNATE	1999 - on	RR
		90 SERIES DEFENDER 2.5 TDI, 2.8i (ALL MODELS) - ALTERNATE	1996 - on	RR
		110 SERIES DEFENDER - ALL MODELS - ALTERNATE	1993 - on	RR
		130 SERIES DEFENDER (ALL MODELS) - ALTERNATE	1996 - on	RR
	DISCOVERY I	2.5 TDI, 3.9 V8 (ALL MODELS)	1995 - 02/99	RR
	RANGE ROVER I	ALL MODELS	1984 - 85	RR
FDB848	TOYOTA	CONQUEST 1600 RSI 16V	1988 - 1993	RR
		CONQUEST 180 RSI	07/94 - 96	RR
			1993 - 06/94	RR
	TOYOTA	COROLLA 160 RSI	97 - 01	RR
		COROLLA 160 RXI	1998 - 02	RR
COROLLA 160i GLS		02/01 - on	RR	
COROLLA 180i GSX		1993 - 96	RR	
FDB850	BMW	3 SERIES 316i WITH ABS (E36)	1992 - 99	RR
		3 SERIES 318i (E36)	10/93 - 96	RR
		3 SERIES 318iS (E36)	1996 - 99	RR
		3 SERIES 320i (E36)	1992 - 96	RR
		3 SERIES 323i (E36)	1996 - 99	RR
		3 SERIES 325i (E36)	1992 - 95	RR
		3 SERIES 325i TDS (E36)	1996 - 99	RR
		3 SERIES 328i (E36)	1996 - 99	RR
		Z SERIES Z1	1989 - 91	RR
FDB857	BMW	8 SERIES 850i V12	1993 - 94	RR
	MASERATI	BI-TURBO	1994 - on	RR
FDB869	FORD	TELSTAR ALL MODELS	1993 - 98	RR
		TELSTAR TX-5	1993 - 98	RR
	MAZDA	626 SERIES ALL MODELS	1993 - 96	RR
		MX SERIES MX-6	1993 - 98	RR
FDB872	LAND ROVER	90 SERIES DEFENDER - ALL MODELS	1993 - on	RR
		90 SERIES DEFENDER 2.5 TD5	1999 - on	RR
		90 SERIES DEFENDER 2.5 TDI, 2.8i (ALL MODELS)	1996 - on	RR
		110 SERIES DEFENDER - ALL MODELS	1993 - on	RR
		130 SERIES DEFENDER (ALL MODELS)	1996 - on	RR
FDB878	RENAULT	ESPACE 2.0 RXE STD & GRAND	1997 - on	RR
		ESPACE 3.0 RXT V6 GRAND	1999 - on	RR
		LAGUNA ALL MODELS	96 - 08/97	RR
		SAFRANE 2.5 AUTO	04/99 - on	RR
			96 - 03/99	RR
FDB890	PORSCHE	964 SERIES 964/2 (911 CARRERA 2)	1988 - on	RR
FDB908	JAGUAR	3.8 MKII	1965 - 66	RR
	LANCIA	FLAVIA / FULVIA FLAVIA & FULVIA SERVO	1965 - 74	RR
	ROVER	2000	1965 - 69	RR
FDB91	FERRAR	246 GT	1971 - 75	RR
	FERRARI	308 GT4, GTB & GTS	1973 - 81	RR
	LAMBORGHINI	COUNTACH 4.6 V12	1985 - on	RR
		COUNTACH 4.6 V12	1985 - on	RR
FDB913	FORD	JALPA 3.5 V8	1985 - on	RR
		MONDEO 2.5 Si (ALL MODELS)	1998 - 01	RR
FDB917	MG	MONDEO 2.5 Si (ALL MODELS) - ALTERNATE	1998 - 01	RR
		TF 115 MG TF 155	2002 - on	RR

BUYERS GUIDE REAR DISC PADS & SHOES

PART No.	MAKE	MODEL	YEAR	RR
		TF 120 MG TF 120	2002 - on	RR
		TF 135 MG TF 135	2002 - on	RR
		TF 160 MG TF 160	2002 - on	RR
		1.8L WC MGF 1.8L WC	2001 - on	RR
FDB92	ALFASUD	ALL MODELS	1974 - 82	RR
	ALFA	EXPORT EXPORT 1.3, 1.5 & VELOCE	1982 - 85	RR
		SUPERHATCH 105 SUPERHATCH 105	1983 - 85	RR
FDB93	2.0 SUPER	2.0 SUPER	1982 - 85	RR
	ALFETTA	ALL MODELS	1972 - 85	RR
	ALFA	GIULIA - GIULETTA GIULIETTA 1.8 & 2.0	1979 - 85	RR
		GT - GTV GTV 6 2.5 & 3.0	1982 - 85	RR
		SPIDER	1983 - 85	RR
	PORSCHE	914 SERIES 1.7 VW PORSCHE 4	1969 - 75	RR
FDB931	TOYOTA	PREVIA 2.4 (WITH ABS)	1990 - 99	RR
FDB937	NISSAN	PATROL 4.2 4X4 S/WAGON	1994 - 01	RR
FDB945	TOYOTA	LEXUS LS 400	90 - 92	RR
FDB946	NISSAN	200 - 370 SERIES 300 ZX 24V V6	04/90 - 96	RR
	SUBARU	IMPENZA 2.0 WRX SEDAN & S/WAGON	2000 - on	RR
FDB956	HONDA	ODYSSEY ALL MODELS	1997 - 98	RR
		PRELUDE PRELUDE 2.2 V-TEC, VT1	1997 - 00	RR
		PRELUDE PRELUDE 2.2SI - BA8 SERIES	1992 - 96	RR
		S2000 2.0 ROADSTER	03/04 - on	RR
			2000 - 01	RR
FDB973	OPEL	OMEGA 2.2	2001 - on	RR
		OMEGA 2.6	2001 - on	RR
FDB979	MERCEDES BENZ	190 E 2.3 16V (W201 SERIES)	1985 - 94	RR
	MERCEDES BENZ	W124 200; 200E; 230E; 260E (W124 SERIES)	1986 - 93	RR
		230E; 260E - IMPORTED	1990 - 94	RR
		300CE - IMPORTED	1990 - 93	RR
		300D, 300E, 300TE ESTATE (W124 SERIES)	1986 - 93	RR
		C-CLASS (W202 SERIES) C180 CLASSIC	1994 - 05/96	RR
		C-CLASS (W202 SERIES) C220 CLASSIC & ELEGANCE	1994 - 05/96	RR
		C-CLASS (W202 SERIES) C250 D CLASSIC & ELEGANCE	1995 - 05/96	RR
		C-CLASS (W202 SERIES) C250 TD CLASSIC	1996 - 05/97	RR
		C-CLASS (W202 SERIES) C280 ELEGANCE	1994 - 05/97	RR
		E-CLASS (W124 SERIES) 200	1986 - 1990	RR
		E-CLASS (W124 SERIES) 200E	1990 - 1992	RR
		E-CLASS (W124 SERIES) 200E, 220E	1992 - 1995	RR
		E-CLASS (W124 SERIES) 230E	1986 - 1992	RR
			1992 - 1993	RR
		E-CLASS (W124 SERIES) 260E	1986 - 1993	RR
		E-CLASS (W124 SERIES) 280E	1993 - 1996	RR
		E-CLASS (W124 SERIES) 300CE (IMPORTED MODELS)	1990 - 1993	RR
		E-CLASS (W124 SERIES) 300D	1986 - 1989	RR
		E-CLASS (W124 SERIES) 300E	1987 - 1993	RR
		E-CLASS (W124 SERIES) 320E	1993 - 1995	RR
		E-CLASS (W124 SERIES) E200; E220; E280 (W124 SERIES)	1993 - on	RR
		E-CLASS (W124 SERIES) E320 (W124 SERIES)	1993 - 96	RR
FDB981	RANGE ROVER II	4.0 SE, 4.6 HSE	1995 - 02	RR
	LAND ROVER	DISCOVERY II 2.5 TD5, 4.0 V8 (ALL MODELS)	03/99 - on	RR
FDB99	CITROEN	GS 1220 CLUB & GS X2 GS 1220 CLUB & GS X2	1973 - 79	RR
FDB995	ALFA	156 1.9 JTD	11/04 - on	RR
		156 2.0 TWIN SPARK, 2.5 V6 (SEDANS)	1997 - on	RR
		156 2.4 JTD	05/03 - on	RR
		166 3.0 V6	1999 - on	RR

BUYERS GUIDE REAR DISC PADS & SHOES

PART No.	MAKE	MODEL	YEAR	RR	
FDS1308	LANCIA	KAPPA ALL MODELS	1994 - on	RR	
	PORSCHE	911/997 SERIES 3.6 CARRERA (ALL MODELS)	2005 - on	RR	
		911/997 SERIES 3.6 TARGA 4	2006 - on	RR	
		996 SERIES 3.4 CARRERA 4	1997 - on	RR	
		BOXSTER SERIES BOXSTER	1998 - on	RR	
FDS1435	PORSCHE	996 SERIES 3.6 GT3, TURBO	1999 - on	RR	
FVR1043	VW	LT PANEL VAN LT 46	11/03 - on	RR	
FVR1045	MERCEDES BENZ	SPRINTER 308D, 312D, 314D	1996 - on	RR	
FVR1102	IVECO	TURBO DAILY SERIES 35.1	1997 - on	RR	
		TURBO DAILY SERIES 40C11	2001 - on	RR	
		TURBO DAILY SERIES 50C11	2001 - on	RR	
		TURBO DAILY SERIES 50C13	2000 - on	RR	
FVR1132	VW	CARAVELLE T4 2.5 TDI	1999 - 2004	RR	
		CARAVELLE T4 2.5 TDI (ALTERNATE 1)	1999 - 2004	RR	
		CARAVELLE T4 2.5 TDI (ALTERNATE 2)	1999 - 2004	RR	
		CARAVELLE T4 2.5 TDI-(16" WHEEL OPTION)	1999 - 2004	RR	
FVR1306	MERCEDES BENZ	SPRINTER 308D, 312D, 314D (ALTERNATE)	1996 - on	RR	
		SPRINTER 313CDI	2000 - on	RR	
	VW	LT PANEL VAN LT 35	11/03 - on	RR	
FVR1351	IVECO	TURBO DAILY SERIES 42.12, 45.12	99 - 2001	RR	
		TURBO DAILY SERIES 49.10, 49.12	96 - 99	RR	
FVR1390	IVECO	TURBO DAILY SERIES 65C15	2001 - on	RR	
FVR1405	IVECO	TURBO DAILY SERIES 35S11, 35S13	2000 - on	RR	
		TURBO DAILY SERIES 40C11 (ALTERNATE)	2001 - on	RR	
		TURBO DAILY SERIES 50C11 (ALTERNATE)	2001 - on	RR	
		TURBO DAILY SERIES 50C13 (ALTERNATE)	2000 - on	RR	
FVR1453	NISSAN	INTERSTAR 2.5 DCI HR, SR	2006 - on	RR	
	OPEL	MOVANO 2.5 CDTI (ALL MODELS)	2006 - on	RR	
		VIVARO 1.9 CDTI HIGH OPULENCE PANEL VAN	2007 - on	RR	
		VIVARO 2.0 BASE PANEL VAN	2006 - on	RR	
		VIVARO 2.0 HIGH OPULENCE PANEL VAN	2006 - on	RR	
FVR1480	FIAT	DUCATO 2.3 JTD PANEL VAN	2005 - on	RR	
	PEUGEOT	BOXER 350 2.8 HDI BOXER 350 2.8 HDI	2002 - on	RR	
FVR1516	NISSAN	PRIMASTAR 1.9 DCI 100	2007 - on	RR	
	OPEL	VIVARO 1.9 CDTI BASE PANEL VAN	2007 - on	RR	
		VIVARO 1.9 CDTI H/O PANEL VAN - ALTERNATE	2007 - on	RR	
		VIVARO 2.0 BASE PANEL VAN - ALTERNATE	2006 - on	RR	
		VIVARO 2.0 H/O PANEL VAN - ALTERNATE	2006 - on	RR	
		RENAULT	TRAFIC 1.9 DCI (ALL MODELS)	2005 - on	RR
		FVR1644	VW	CARAVELLE T5 2.5 TDI - 4-MOTION	2004 - on
CARAVELLE T5 3.2 V6	2004 - on			RR	
TRANSPORTER T5 1.9 TDI (ALL MODELS)	2007 - on			RR	
TRANSPORTER T5 2.5 TDI (ALL MODELS)	2005 - on			RR	
TRANSPORTER T5 3.2 V6 (ALL MODELS)	2005 - on			RR	
FIAT	SCUDA 120 MULTIJET			2008-on	RR
FVR1879	MERCEDES BENZ			SPRINTER 412D	1996 - on
		SPRINTER 413CDI	2000 - on	RR	
		SPRINTER 413D	2001 - on	RR	
FVR1927	FIAT	DUCATO 100 2.2 JTD	2005 - on	RR	
		DUCATO 120 2.2 JTD	2005-on	RR	
		DUCATO 160 2.2 JTD	2005-on	RR	
MB118	MERCEDES BENZ	SPEEDLINER SPEEDLINER	1989 - on	RR	
MX666	JEEP	GRAND CHEROKEE LAREDO 2.5 TD	1997 - 00	RR	
		GRAND CHEROKEE LAREDO 4.0	1997 - 04/99	RR	
		GRAND CHEROKEE LIMITED 4.0	1997 - 04/99	RR	

BUYERS GUIDE REAR DISC PADS & SHOES

PART No.	MAKE	MODEL	YEAR	RR
MX759	CHRYSLER	PT CRUISER 2.0 (ALL MODELS)	2000 - on	RR
		PT CRUISER 2.2 CRD	11/03 - on	RR
		PT CRUISER 2.4 (ALL MODELS)	2004 - on	RR
MX770	SUBARU	FORESTER 2.0 GX	1997 - 02	RR
		FORESTER 2.0 GX -ALTERNATE	1997 - 02	RR
		FORESTER 2.0 GL , GT	1998 - 02	RR
		FORESTER 2.0 GL , GT - ALTERNATE	1998 - 02	RR
		FORESTER 2.5 XEL	2002 - on	RR
		FORESTER 2.5X	2002 - on	RR
		FORESTER 2.5XEC	2002 - on	RR
		FORESTER 2.5 XEL - ALTERNATE	2003 - on	RR
		FORESTER 2.5X - ALTERNATE	2003 - on	RR
		FORESTER 2.5XEC - ALTERNATE	2003 - on	RR
		FORESTER 2.5 XT	11/03 - on	RR
		IMPREZA 2.0 GL S/WAGON	97 - 00	RR
		IMPREZA 2.0 GL SEDAN	98 - 99	RR
		IMPREZA 2.0 GL SEDAN (WITH 14" WHEELS)	98 - 99	RR
		IMPREZA 2.0 GT SEDAN	1997 - 00	RR
		IMPREZA 2.0 GX SEDAN & S/WAGON	2000 - on	RR
		IMPREZA 2.0 RX SEDAN & S/WAGON	1997 - 00	RR
		IMPREZA 2.0 RX SEDAN (WITH 14" WHEELS)	1997 - 00	RR
		LEGACY 2.0 GL T/WAGON	1998 - 01	RR
		LEGACY 2.5 GX SEDAN	1999 - on	RR
LEGACY 2.5 GX T/WAGON	1998 - on	RR		
LEGACY 2.5 OUTBACK S/WAGON	1996 - 03	RR		
LEGACY 3.0 OUTBACK S/WAGON	2000 - 03	RR		
MX791	JEEP	GRAND CHEROKEE LAREDO 2.7 CRD (TD)	2002 - on	RR
		GRAND CHEROKEE LAREDO 2.7 CRD (TD) - ALTERNATE	12/01 - on	RR
		GRAND CHEROKEE LAREDO 3.1 TD	1999 - on	RR
		GRAND CHEROKEE LAREDO 4.0	05/99 - on	RR
		GRAND CHEROKEE LAREDO 4.0 - ALTERNATE	2002 - on	RR
		GRAND CHEROKEE LAREDO 4.7 V8	08/02 - on	RR
		GRAND CHEROKEE LAREDO 4.7 V8 - ALTERNATE	08/02 - on	RR
		GRAND CHEROKEE LIMITED 2.7 CRD (TD)	2001 - on	RR
		GRAND CHEROKEE LIMITED 2.7 CRD (TD) - ALTERNATE	2001 - on	RR
		GRAND CHEROKEE LIMITED 3.1 TD	1999 - on	RR
		GRAND CHEROKEE LIMITED 4.0	05/99 - on	RR
		GRAND CHEROKEE LIMITED 4.0 - ALTERNATE	2002 - on	RR
		GRAND CHEROKEE LIMITED 4.7 V8	1999 - on	RR
		GRAND CHEROKEE LIMITED 4.7 V8 - ALTERNATE	2002 - on	RR
MX834	CHEVROLET	TAHOE	2001 - on	RR
PD1037	JEEP	COMPASS 2.0D	2007-on	RR
		COMPASS 2.4 LIMITED (ALL MODELS)	2007-on	RR
		PATRIOT ALL MODELS	2007-on	RR
LANCER		1.6 GLX	08/02-on	RR
		2.0 EVO IX	2004-on	RR
DODGE		CALIBER 1.8 SE, SXT	2006-on	RR
		CALIBER 2.0 CRD SXT	2006-on	RR
		CALIBER 2.0 SXT CVT	2006-on	RR
MITSUBISHI		OUTLANDER 2.4 GLX	07/03-on	RR
PD1087	JEEP	COMMANDER 3.0 CRD LIMITED & SPORT	2006-on	RR
		COMMANDER 4.7 V8	2006-on	RR
		COMMANDER 5.7 V8 LIMITED	2006-on	RR
		GRAND CHEROKEE 6.1 HEMI SRT8	2006-on	RR
		GRAND CHEROKEE LAREDO 3.0 CRD	2005-on	RR

BUYERS GUIDE REAR DISC PADS & SHOES

PART No.	MAKE	MODEL	YEAR	RR
		GRAND CHEROKEE LIMITED 3.0 CRD	2005-on	RR
		GRAND CHEROKEE LIMITED 5.7 HEMI	2005-on	RR
		GRAND CHEROKEE OVERLAND 3.0 CRD	2006-on	RR
		GRAND CHEROKEE OVERLAND 5.7 HEMI	2006-on	RR
PD729	CHEVROLET	BLAZER 4.3 V6 BLAZER 4.3 V6	1998-on	RR
PD773	TOYOTA	LANDCRUISER 100 SERIES 4.2 GX	1998-on	RR
		LANDCRUISER 100 SERIES 4.2 TD GX	2002-on	RR
		LANDCRUISER 100 SERIES 4.2 TD VX	1998-on	RR
		LANDCRUISER 100 SERIES 4.5 GX	1998-on	RR
		LANDCRUISER 100 SERIES 4.7 V8 VX	1998-on	RR

BUYERS GUIDE REAR DISCS

PART No.	APPLICATION	YEAR	RR
DDF003-1	MERCEDES BENZ W114/115 SERIES 220, 220D,230, 230/6	1968 - 1973	RR
	MERCEDES BENZ W114/115 SERIES 230, 230/6	1973 - 1977	RR
	MERCEDES BENZ W114/115 SERIES 280S, 280SE	1968 - 1973	RR
	MERCEDES BENZ W116 SERIES 280S, 280SE, 350SE	1980 - 1981 / 1973 - 1984	RR
	MERCEDES BENZ W123 SERIES 230, 230E, 250, 280E, 300D	1980 - 1986	RR
	MERCEDES BENZ W123 SERIES 230, 250, 280E, 300D	1977 - 1979	RR
	MERCEDES BENZ W126 SERIES 280SE	1981 - 1987	RR
	MERCEDES BENZ W126 SERIES 300SE	1986 - 1992	RR
	MERCEDES BENZ W126 SERIES 380SE	1981 - 1987	RR
	MERCEDES BENZ W126 SERIES 380SEC	1981 - 1985	RR
	MERCEDES BENZ W126 SERIES 420SE	1986 - 1992	RR
	MERCEDES BENZ W126 SERIES 500SE	1989 - 1993	RR
	MERCEDES BENZ W126 SERIES 500SEC	1981 - 1985	RR
	MERCEDES BENZ W126 SERIES 560SE, 560SEC	1989 - 1993	RR
	DDF067-1	ALFA 147 1.6 PROGRESSION	07/02 - on
ALFA 147 1.9 JTD		10/04 - on	RR
ALFA 147 2.0 DISTINCTIVE		07/02 - on	RR
ALFA 147 2.0 SELESPEED		2001 - on	RR
ALFA 156 1.9 JTD		11/04 - on	RR
ALFA 156 2.0 TWIN SPARK, 2.5 V6 (SEDANS)		1997 - on	RR
ALFA 156 2.4 JTD		05/03 - on	RR
ALFA 156 2.5 V6 SPORTWAGON		2000 - on	RR
DDF093-1	BMW 3 SERIES 323I (E30)	1983 - 91	RR
	BMW 3 SERIES 323I (E90)	2006 - on	RR
	BMW 3 SERIES 325I (E30)	1986 - 91	RR
DDF122-1	MERCEDES BENZ E-CLASS (W124 SERIES) 200	1986 - 1990	RR
	MERCEDES BENZ E-CLASS (W124 SERIES) 200E	1990 - 1992	RR
	MERCEDES BENZ E-CLASS (W124 SERIES) 200E, 220E	1992 - 1995	RR
	MERCEDES BENZ E-CLASS (W124 SERIES) 230E	1986 - 1992 / 1992 - 1993	RR
	MERCEDES BENZ E-CLASS (W124 SERIES) 230E (IMPORTED MODELS)	1990 - 1994	RR
	MERCEDES BENZ E-CLASS (W124 SERIES) 260E	1986 - 1993	RR
	MERCEDES BENZ E-CLASS (W124 SERIES) 260E (IMPORTED MODELS)	1990 - 1994	RR
	MERCEDES BENZ E-CLASS (W124 SERIES) 280E	1993 - 1996	RR
	MERCEDES BENZ E-CLASS (W124 SERIES) 300CE (IMPORTED MODELS)	1990 - 1993	RR
	MERCEDES BENZ E-CLASS (W124 SERIES) 300CE (IMPORTED) - ALT	1990 - 1993	RR
	MERCEDES BENZ E-CLASS (W124 SERIES) 300D	1986 - 1989	RR
	MERCEDES BENZ E-CLASS (W124 SERIES) 300E	1987 - 1993	RR
DDF1323-1	TOYOTA STALLION 2400 PICK/UP & PANEL VAN	1995 - 2000	RR
DDF1350-1	VW GOLF 3 GTI 2.0	1992 - 00	RR
	VW GOLF 3 VR6 2.8	10/93 - 97	RR
		1997 - 99	RR
	VW JETTA 3 VR6 2.8 EXEC	10/93 - 97	RR
		1997 - 00	RR
DDF137-1	VW 1.6 ALL MODELS 1.8 GTI (16V)	1986 - 90	RR
	VW 1.6 ALL MODELS 1.8 GTI (16V) - ALTERNATIVE	12/88 - 90	RR
	VW 1.6 ALL MODELS 2.0 16V	1990 - 92	RR
	VW 1.6 ALL MODELS 2.0 16V - ALTERNATIVE	1990 - 92	RR
	VW JETTA 2 2.0 16V	1990 - 92	RR
	VW JETTA 2 2.0 16V - ALTERNATE	1990 - 92	RR
DDF140	ALFA 145 2.0 QUADRIFOGLIO	01/97 - 01	RR
DDF1581-1	BMW 3 SERIES 325I (E46) - SE	2000 - on	RR
DDF1590-1	NISSAN QASHQAI 1.5 ALL MODELS	02/07 -on	RR
	NISSAN QASHQAI 1.6 ALL MOELS	02/07 -on	RR
	NISSAN QASHQAI 2.0 ALL	02/07 -on	RR
DDF1623-1	NISSAN PRIMASTAR 1.9 DCI 100	2007 - on	RR
	OPEL VIVARO 1.9 CDTI BASE PANEL VAN	2007 - on	RR

BUYERS GUIDE REAR DISCS

PART No.	APPLICATION	YEAR	RR
DDF1651-1	OPEL VIVARO 1.9 CDTI H/O PANEL VAN - ALTERNATE	2007 - on	RR
	RENAULT TRAFIC 1.9 DCI (ALL MODELS)	2005 - on	RR
	OPEL CORSA D 1.0 ALL MODELS (75 HP)	2009 - on	RR
	OPEL CORSA D 1.2 ALL MODELS (75 HP)	2009- on	RR
	OPEL CORSA D 1.3 ALL MODELS (75 HP)	2009- on	RR
	OPEL CORSA D 1.3 CDTi (90 HP)	2009-on	RR
DDF1655-1	OPEL CORSA D 1.7 CDTi	2009 - on	RR
DDF1656-1	REANULT VEL SATIS 3.5 V6	04/03 - on	RR
DDF1660-1	RENAULT GRAND SCENIC II 1.9 DCI	2004 - 2005	RR
	RENAULT GRAND SCENIC II 1.9DCI	2006 - on	RR
	RENAULT GRAND SCENIC II 2.0 (ALL MODELS)	2004 - 2005	RR
DDF1667 -1	CHEVROLET CAPTIVA 2.4 (ALL MODELS)	2007 - on	RR
DDF1666 - Solid	AUDI A5 A5 COUPE 2.0T FSI	2009- on	RR
	AUDI A5 A5 COUPE 3.2 FSI	2008- on	RR
	AUDI A5 A5 COUPE 3.0 TDI	2009-on	RR
	AUDI A5 A5 CABRIO 2.0T FSI	2009- on	RR
	AUDI A5 A5 CABRIO 3.2 FSI	2008- on	RR
	AUDI A5 A5 CABRIO 3.0 TDI	2009-on	RR
DDF1667 -1 Vented DDF1666-1 Solid	AUDI 4.2 FSI QUATTRO 4.2 FSI QUATTRO		RR
DDF1669-1	MERCEDES BENZ E-CLASS (W211 SERIES) E55 AMG	11/02 - on	RR
DDF1672-1	MERCEDES BENZ E-CLASS (W211 SERIES) E63 AMG	2006 - on	RR
	MERCEDES BENZ E-CLASS (W211 SERIES) E240	08/02 - on	RR
DDF1675-1	MERCEDES BENZ E-CLASS (W211 SERIES) E280	2005 - on	RR
	MERCEDES BENZ S-CLASS (W220 SERIES) S320	10/98 - on	RR
	MERCEDES BENZ S-CLASS (W220 SERIES) S320 CDI	2002 - on	RR
	MERCEDES BENZ S-CLASS (W220 SERIES) S350	2002 - on	RR
	MERCEDES BENZ S-CLASS (W220 SERIES) S430	09/02 - on	RR
DDF1679-1 (S)	MERCEDES BENZ S-CLASS (W220 SERIES) S500	10/98 - 09/02	RR
	MERCEDES BENZ S-CLASS (W220 SERIES) S500	09/02 - on	RR
DDF1689-1	FIAT CROMA 2.2 (ALL MODELS)	10/98 - 09/02	RR
DDF1697-1	MERCEDES BENZ C-CLASS (W204 SERIES) C180K (ALL MODELS)	2005 - on	RR
	MERCEDES BENZ C-CLASS (W204 SERIES) C200K (ALL MODELS)	2008 - on	RR
	MERCEDES BENZ C-CLASS (W204 SERIES) C220 CDI (ALL MODELS)	2007 - on	RR
	MERCEDES BENZ C-CLASS (W204 SERIES) C280 (ALL MODELS)	2007 - on	RR
	MERCEDES BENZ C-CLASS (W204 SERIES) C320 CDI (ALL MODELS)	2007 - on	RR
	MERCEDES BENZ C-CLASS (W204 SERIES) C350 (ALL MODELS)	2007 - on	RR
DDF1741	BMW 1 SERIES (E87) 130i	2005 - on	RR
DDF175-1	ALFA MITO 1.4 T	2008- on	RR
DDF1811-1	VW JETTA 3 CLX, CSL, CSX (ALTERNATE)	03/96 - 00	RR
DDF221-1	BMW 1 SERIES COUPE & CONVERTIB 135 i	2008-on	RR
	BMW 5 SERIES 520i (E34)	1989 - 1994	RR
	BMW 5 SERIES 525i (E34)	1989 - 1996	RR
	BMW 5 SERIES 530i (E34)	1993 - 1996	RR
DDF242-1	BMW 5 SERIES 535i (E34)	1989 - 1994	RR
	OPEL ASTRA EURO 200i ESTATE	1998 - 2000	RR
	OPEL KADETT KADETT 2.0 GSI 16V	1990 - 93	RR
DDF249-1	OPEL KADETT KADETT 200i CD 16V	1991 - 93	RR
	BMW 3 SERIES 316i WITH ABS (E36)	1992 - 99	RR

BUYERS GUIDE REAR DISCS

PART No.	APPLICATION	YEAR	RR
	BMW 3 SERIES 318I (E36)	10/93 - 96	RR
	BMW 3 SERIES 318IS (E36)	1996 - 99	RR
	BMW 3 SERIES 318I (E46) - SEDAN & TOURING	1998 - on	RR
	BMW 3 SERIES 318TI COMPACT (E46)	2001 - on	RR
	BMW 3 SERIES 320I (E36)	1992 - 96	RR
	BMW 3 SERIES 320I (E46)	1999 - on	RR
	BMW 3 SERIES 320D (E46)	2000 - on	RR
	BMW 3 SERIES 323I (E36)	1996 - 99	RR
	BMW 3 SERIES 325I (E36)	1992 - 95	RR
	BMW 3 SERIES 325 TDS (E36)	1996 - 99	RR
	BMW 3 SERIES 328I (E36)	1996 - 99	RR
DDF281-1	FORD FOCUS 1.6 AMBIENTE	06/03 - on	RR
	FORD FOCUS 1.8 TDCI	10/03 - on	RR
	FORD FOCUS 2	1999 - on	RR
	FORD FOCUS 2.0 TREND	06/02 - on	RR
DDF317-1	BMW 7 SERIES 735I (E32)	1987 - 1993	RR
DDF321-1	AUDI QUATTRO QUATTRO S2 20V 2.2	1991 - on	RR
	AUDI QUATTRO QUATTRO TURBO S6	1993 - on	RR
	AUDI QUATTRO QUATTRO TURBO S6 (ALTERNATE)	1993 - on	RR
	AUDI A4 (INCLUDING AVANT MODELS 1.8 (TURBO MODELS) - ATE CALIPER - WITHOUT WEAR SENSOR	05/99-01	RR
	AUDI A6 I 2.6 AVANT	95 - 98	RR
	AUDI A6 I 2.6E, 2.8E	1995 - 97	RR
	AUDI A6 II 2.4	1997 - 2003	RR
	AUDI A6 II 2.7T QUATTRO - WITH LUCAS FRONT CALIPER	2000 - 2002	RR
	AUDI A6 II 3.0 & 3.0 QUATTRO (ALL MODELS)	2001 - 2004	RR
	AUDI A6 II 3.0 & 3.0 QUATTRO (ALL MODELS) - WITH LUCAS CALIPER	2001 - 2004	RR
DDF326-1	BMW 7 SERIES 730I (E32)	1987 - 1994	RR
DDF331-1	OPEL ASTRA 200I ESTATE	1996 - 98	RR
	OPEL ASTRA EURO 200IE, 200I SE	06/98 - 00	RR
	OPEL KADETT KADETT 1.8I	1990 - 93	RR
	OPEL KADETT KADETT 200IS	07/93 - 99	RR
		1993 - 1993	RR
	OPEL KADETT EURO 200IS	06/98 - 00	RR
	OPEL KADETT EURO 200ISE	06/98 - 00	RR
	OPEL MONZA MONZA 2.0 CD, CLI 1.6V	1990 - 1993	RR
DDF523-1	MAZDA ASTINA 180 SE	1995 - 00	RR
	MAZDA ETUDE ALL MODELS	1995 - 01/00	RR
DDF524-1	FORD TELSTAR ALL MODELS	1993 - 98	RR
	FORD TELSTAR TX-5	1993 - 98	RR
	MAZDA 626 SERIES ALL MODELS	1993 - 96	RR
	MAZDA 626 SERIES 2.0 S/WAGON	1998 - 2002	RR
DDF674-1	NISSAN SENTRA 200 GSI	08/97 - 01	RR
	NISSAN SENTRA 200 STI	1992 - 02	RR
	NISSAN SENTRA SABRE 200 GXI	1994 - 97	RR
	NISSAN SENTRA SABRE 200 GSI	08/97 - 00	RR
DDF830-1	AUDI A4 (INCLUDING AVANT MODELS 1.8 (NON TURBO) - LUCAS CALIPER - WITHOUT WEAR SENSOR	05/99 - 05/01	RR
		08/97 - 04/99	RR
	AUDI A4 (INCLUDING AVANT MODELS 1.8 (NON TURBO) - ALTERNATE REAR	08/97 - 04/99	RR
	AUDI A4 (INCLUDING AVANT MODELS 1.8 (TURBO MODELS) - ATE CALIPER - WITHOUT WEAR SENSOR	07/97	RR
	AUDI A4 (INCLUDING AVANT MODELS 1.8 (TURBO MODELS) - ALTERNATE REAR	08/97-04/99	RR
	AUDI A4 (INCLUDING AVANT MODELS 2.4, 2.6, 2.8 (ALL MODELS) - WITH WEAR SENSOR	07/97	RR
		05/99-01	RR

BUYERS GUIDE REAR DISCS

PART No.	APPLICATION	YEAR	RR	
DDF929-1	AUDI A4 (INCLUDING AVANT MODELS 2.4, 2.6, 2.8 (ALL MODELS) - ALTERNATE	08/97-04/99	RR	
	AUDI A3 1,8 (NON TURBO) - WITHOUT WEAR SENSOR	1998 - 99	RR	
	AUDI A3 1.8 (NON TURBO) - WITH WEAR SENSOR	1999-04	RR	
	AUDI A3 1.8 TURBO (ALL MODELS) - WITH WEAR SENSOR	1998-99	RR	
	AUDI A3 1.8 TURBO (ALL MODELS) - WITHOUT WEAR SENSOR	1999-04	RR	
	VW BEETLE 1.8T	03/03 - on	RR	
	VW BEETLE 2.0 (ALL MODELS)	2000 - on	RR	
	VW GOLF 4 1.6I (ALL MODELS) - WITHOUT WEAR SENSOR	1999 - 1999	RR	
	VW GOLF 4 1.6I (ALL MODELS) - WITH WEAR SENSOR	2000 - 2004	RR	
	VW GOLF 4 1.6I ESTATE - WITH WEAR SENSOR	1999 - 2004	RR	
	VW GOLF 4 1.8 GTI - NO WEAR SENSOR	1999 - 1999	RR	
	VW GOLF 4 1.8 GTI - WITH WEAR SENSOR	2000 - 2004	RR	
	VW GOLF 4 1.8 GTI R TURBO (132 KW)	03/03 - on	RR	
	VW GOLF 4 1.9 TDI - NO WEAR SENSOR	1999 - 1999	RR	
	VW GOLF 4 1.9 TDI - WITH WEAR SENSOR	2000 - 2004	RR	
	VW GOLF 4 1.9 TDI ESTATE - WITH WEAR SENSOR	1999 - 2004	RR	
	VW GOLF 4 2.0I (ALL MODELS) - WITHOUT WEAR SENSOR	1999 - 1999	RR	
	VW GOLF 4 2.0I (ALL MODELS) - WITH WEAR SENSOR	2000 - 2004	RR	
	VW JETTA 4 1.6I (ALL MODELS) - WITHOUT WEAR SENSOR	1999 - 1999	RR	
	VW JETTA 4 1.6I (ALL MODELS) - WITH WEAR SENSOR	2000 - 2005	RR	
	VW JETTA 4 1.9 TDI - NO WEAR SENSOR	1999 - 1999	RR	
	VW JETTA 4 1.9 TDI - WITH WEAR SENSOR	2000 - 2005	RR	
	VW JETTA 4 2.0I (ALL MODELS) - WITHOUT WEAR SENSOR	1999 - 1999	RR	
	VW JETTA 4 2.0I (ALL MODELS) - WITH WEAR SENSOR	2000 - 2005	RR	
	VW JETTA 4 2.3 V5 - NO WEAR SENSOR	1999 - 1999	RR	
	VW JETTA 4 2.3 V5 - WITH WEAR SENSOR	2000 - 2005	RR	
	DDF950-1	HONDA BALLADE 150 (ALL MODELS)	1992-96	RR
		HONDA BALLADE 150I (ALL MODELS)	04/96-00	RR
		HONDA BALLADE 160I	1992-96	RR
		HONDA BALLADE 160E - WITH ABS	1992-94	RR
HONDA BALLADE 160I, 160I V-TEC (ALL MODELS)		04/96-00	RR	
HONDA BALLADE 180E, 180I (ALL MODELS)		1994-00	RR	
HONDA CIVIC 150I, 160I (ALL MODELS)		1996-2000	RR	
HONDA CIVIC 160I V-TEC		1996-2000	RR	
HONDA CIVIC 170I V-TEC (ALL MODELS)		2001-on	RR	
HONDA CR-V, CRX, HR-V CRXI 16V		1991 - on	RR	

FERODO DISC BRAKE PADS CROSS REFERENCE

FERODO

ATE

ALTERNATE No.

FCV 239	ATE 638	D 3066
FCV 501	ATE 579	D 3014
FD 25L		D 72
FD 29L		D 117
FD 35L		D 116
FD 525		D 81
FD 535	ATE 105	D 105
FD 545		D 118
FD 547		D 139
FD 558	ATE 174	D 174/1
FD 559	ATE 190	D 190
FD 710		D 91
FDB 10		D 51
FDB 1000	#N/A	D 4036
FDB 1001	#N/A	D 4042
FDB 1003	#N/A	D 4037
FDB 1009	ATE 772	D 3276
FDB 1011	#N/A	D 3231
FDB 1012	ATE 683	D 3094
FDB 1014	ATE 757	D 3088
FDB 1015	ATE 670	D 3089
FDB 1016	#N/A	D 3085
FDB 1017	ATE 733	D 3090
FDB 1020	#N/A	D 3337
FDB 1021	ATE 689	D 3073
FDB 1024	#N/A	D 4023
FDB 1025	ATE 778	D 3173
FDB 1026	ATE 535	D 983
FDB 1029	#N/A	D 3421
FDB 1037	#N/A	D 3323
FDB 1044	#N/A	#N/A
FDB 1049	ATE 697	D 3102
FDB 105	ATE 199	D 199
FDB 1050	#N/A	D 3305
FDB 1052	ATE 882	D 3194
FDB 1052	ATE 894	D 3194
FDB 1054	ATE 739	D 3105
FDB 1055	#N/A	D 3184
FDB 1063	ATE 808	D 3141
FDB 1071	#N/A	D 3272
FDB 1073	#N/A	D 3081
FDB 1075	#N/A	D 3345
FDB 1083	ATE 561	D 3177
FDB 1084	ATE 717	D 3140
FDB 1085	#N/A	D 3280
FDB 1093	ATE 818	D 4046
FDB 1094	ATE 817	D 3179
FDB 1094	ATE 817	D 3199
FDB 1095	ATE 819	D 4045

FERODO DISC BRAKE PADS CROSS REFERENCE

FERODO

ATE

ALTERNATE No.

FDB 1096	ATE 825	D 3181
FDB 1097	#N/A	D 3128
FDB 1098	ATE 753	D 3131
FDB 1099	#N/A	D 3129
FDB 11	ATE 112	D 112
FDB 1104	#N/A	D 3166
FDB 1112	#N/A	D 3411
FDB 1113	#N/A	D 3218
FDB 1115	#N/A	D 3409
FDB 1117	#N/A	D 3123
FDB 1124	ATE 880	D 3180
FDB 1125	#N/A	D 3151
FDB 1129	#N/A	#N/A
FDB 1130	#N/A	D 3283
FDB 1135	ATE 874	D 3174
FDB 1137	ATE 881	D 3168
FDB 114	#N/A	D 201
FDB 1156	ATE 668	D 3124
FDB 1157	ATE 669	D 3125
FDB 1157	ATE 724	D 3125
FDB 116	#N/A	D 986
FDB 1160	#N/A	#N/A
FDB 1162	#N/A	#N/A
FDB 1163	#N/A	#N/A
FDB 1167	#N/A	D 3388
FDB 1168	#N/A	D 3412
FDB 1169	#N/A	D 4047
FDB 12		D 100
FDB 123	ATE 240	D 240
FDB 1263	ATE 915	D 3419
FDB 1267	ATE 751	D 3160
FDB 1278	#N/A	D 3404
FDB 128	ATE 200	D 200
FDB 1284	#N/A	#N/A
FDB 1288	ATE 740	D 3106
FDB 1289	ATE 913	D 3175
FDB 1291	ATE 765	D 3188
FDB 1293	ATE 834	D 3298
FDB 1294	ATE 836	D 3300
FDB 1295	ATE 835	D 3299
FDB 1296	#N/A	#N/A
FDB 1297	#N/A	D 3310
FDB 13		D 99
FDB 130	#N/A	D 235
FDB 1300	#N/A	D 3204
FDB 1301	ATE 538	D 3205
FDB 1303	ATE 846	D 3315
FDB 1304	#N/A	D 3336
FDB 1305	#N/A	#N/A

FERODO DISC BRAKE PADS CROSS REFERENCE

FERODO

ATE

ALTERNATE No.

FDB 1310	ATE 761	D 3317
FDB 1311	ATE 833	D 3319
FDB 1312	ATE 912	D 3176
FDB 1318	ATE 842	D 3239
FDB 1319	ATE 868	D 3240
FDB 1322	ATE 841	D 3321
FDB 1323	ATE 864	D 3390
FDB 1324	#N/A	#N/A
FDB 1326	ATE 869	D 3203
FDB 1334	#N/A	D 3263
FDB 1336	#N/A	D 3134
FDB 1337	ATE 716	D 3198
FDB 1349	ATE 883	D 3079
FDB 1355	#N/A	D 3402
FDB 1369	ATE 696	D 3133
FDB 1370	ATE 873	D 3307
FDB 1376	ATE 832	D 3209
FDB 1376	ATE 891	D 3209
FDB 1378	#N/A	#N/A
FDB 1379	#N/A	D 3282
FDB 1382	ATE 904	D 3285
FDB 1383	ATE 905	D 3286
FDB 1384	ATE 859	D 3329
FDB 1392	#N/A	D 3396
FDB 1393	#N/A	D 3537
FDB 1394	ATE 914	D 3455
FDB 1395	ATE 901	D 3447
FDB 1398	ATE 822	D 3295
FDB 1399	ATE 926	D 3444
FDB 14		D 66
FDB 1400	ATE 907	D 3196
FDB 1401	ATE 908	D 3197
FDB 1407	#N/A	D 3391
FDB 1408	#N/A	#N/A
FDB 141	#N/A	#N/A
FDB 1411	ATE 876	D 3351
FDB 1412	ATE 877	D 3353
FDB 1413	#N/A	D 3352
FDB 1414	#N/A	D 3432
FDB 1415	#N/A	D 3142
FDB 1416	ATE 890	#N/A
FDB 142	#N/A	D 268
FDB 1420	ATE 906	D 3403
FDB 1421	ATE 544	#N/A
FDB 1422	#N/A	D 3266
FDB 1424	ATE 861	D 3445
FDB 1425	ATE 899	#N/A
FDB 1426	ATE 909	D 3434
FDB 1427	#N/A	D 3436

FERODO DISC BRAKE PADS CROSS REFERENCE

FERODO

ATE

ALTERNATE No.

FDB 1428	#N/A	D 3430
FDB 1429	ATE 845	D 3431
FDB 143	ATE 198/1	D 254
FDB 1433	#N/A	#N/A
FDB 1437	#N/A	D 3369
FDB 1439	#N/A	#N/A
FDB 144	#N/A	D 421
FDB 1441	ATE 884	D 3405
FDB 1444	#N/A	D 3441
FDB 1451	ATE 865	D 3389
FDB 1455	ATE 857	D 3279
FDB 1460	#N/A	#N/A
FDB 1463	ATE 854	D 3309
FDB 1464	#N/A	D 3084
FDB 1465	ATE 858	D 3304
FDB 1466	#N/A	#N/A
FDB 1467	ATE 911	#N/A
FDB 1468	#N/A	#N/A
FDB 1469	#N/A	#N/A
FDB 1473	#N/A	D 3361
FDB 1474	#N/A	D 3379
FDB 1475	#N/A	D 3148
FDB 1476	ATE 871	D 3410
FDB 1477	#N/A	#N/A
FDB 1480	#N/A	#N/A
FDB 1481	#N/A	#N/A
FDB 1482	ATE 903	#N/A
FDB 1483	ATE 867	D 3312
FDB 1485	#N/A	D 3325
FDB 1486	#N/A	D 3314
FDB 149	#N/A	D 260
FDB 1491	ATE 896	#N/A
FDB 1493	#N/A	#N/A
FDB 1494	#N/A	#N/A
FDB 1496	#N/A	#N/A
FDB 1499	ATE 933	D 3377
FDB 1500	#N/A	D 3378
FDB 1501	#N/A	D 3424
FDB 1506	#N/A	#N/A
FDB 1508	#N/A	D 3387
FDB 1509	#N/A	D 3425
FDB 1512	ATE 910	D 3435
FDB 1514	ATE 927	D 3398
FDB 1520	#N/A	#N/A
FDB 1521	#N/A	D 3418
FDB 1526	#N/A	D 3433
FDB 1527	#N/A	#N/A
FDB 1528	ATE 900	D 3446
FDB 153	ATE 262	D 262

FERODO DISC BRAKE PADS CROSS REFERENCE

FERODO

ATE

ALTERNATE No.

FDB 1531	#N/A	D 3399
FDB 1532	#N/A	#N/A
FDB 1535	#N/A	D 3219
FDB 154	#N/A	D 263
FDB 1540	#N/A	D 3406
FDB 1541	ATE 885	D 3407
FDB 1542	ATE 917	D 3456
FDB 1543	#N/A	D 3457
FDB 1544	ATE 887	D 3458
FDB 1545	#N/A	#N/A
FDB 1554	#N/A	D 3211
FDB 1556	#N/A	#N/A
FDB 1558	#N/A	D 3318
FDB 1559	#N/A	#N/A
FDB 1561	#N/A	#N/A
FDB 1562	#N/A	#N/A
FDB 1564	#N/A	D 3212
FDB 1565	ATE 760	D 3368
FDB 1569	#N/A	D 3152
FDB 1573	ATE 862	D 3373
FDB 1574	ATE 863	D 3374
FDB 1577	#N/A	D 3382
FDB 159	#N/A	#N/A
FDB 1593	#N/A	#N/A
FDB 1594	ATE 936	D 3454
FDB 1595	ATE 924	D 3357
FDB 1596	#N/A	D 3364
FDB 1597	#N/A	#N/A
FDB 1599	#N/A	#N/A
FDB 1600	#N/A	D 3362
FDB 1602	#N/A	D 3359
FDB 1604	#N/A	D 3366
FDB 1605	#N/A	D 3439
FDB 1606	#N/A	D 3440
FDB 1607	ATE 694	D 3149
FDB 1608	#N/A	#N/A
FDB 161	#N/A	D 294
FDB 1610	#N/A	D 3333
FDB 1612	#N/A	D 3341
FDB 1613	#N/A	#N/A
FDB 1615	#N/A	#N/A
FDB 1617	#N/A	D 3465
FDB 1618	#N/A	#N/A
FDB 1619	ATE 931	#N/A
FDB 162	ATE 101/1	D 293
FDB 1620	#N/A	#N/A
FDB 1625	#N/A	#N/A
FDB 1626	#N/A	#N/A
FDB 1627	#N/A	#N/A

FERODO DISC BRAKE PADS CROSS REFERENCE

FERODO

ATE

ALTERNATE No.

FDB 1628	#N/A	D 3392
FDB 1629	#N/A	#N/A
FDB 163	ATE 152/1	D 292
FDB 1630	#N/A	#N/A
FDB 1631	#N/A	#N/A
FDB 1632	#N/A	#N/A
FDB 1635	#N/A	#N/A
FDB 1636	#N/A	#N/A
FDB 1637	#N/A	#N/A
FDB 1639	#N/A	#N/A
FDB 164	#N/A	D 298
FDB 1640	#N/A	#N/A
FDB 1641	#N/A	D 3553
FDB 1645	#N/A	#N/A
FDB 1646	#N/A	D 3165
FDB 1648	#N/A	#N/A
FDB 1649	#N/A	#N/A
FDB 165	#N/A	D 4004
FDB 1650	#N/A	#N/A
FDB 1651	#N/A	#N/A
FDB 1654	#N/A	#N/A
FDB 1655	#N/A	#N/A
FDB 1658	#N/A	#N/A
FDB 1659	#N/A	#N/A
FDB 1660	#N/A	D 3427
FDB 1661	#N/A	#N/A
FDB 1662	#N/A	#N/A
FDB 1663	#N/A	#N/A
FDB 1664	#N/A	#N/A
FDB 1665	#N/A	#N/A
FDB 1666	#N/A	#N/A
FDB 1667	#N/A	#N/A
FDB 1669	#N/A	#N/A
FDB 1670	#N/A	#N/A
FDB 1672	#N/A	D 3395
FDB 1673	#N/A	D 3393
FDB 1675	ATE 930	#N/A
FDB 1676	ATE 934	#N/A
FDB 1679	#N/A	#N/A
FDB 1684	#N/A	D 3213
FDB 1686	#N/A	#N/A
FDB 1688	#N/A	#N/A
FDB 1689	#N/A	#N/A
FDB 169	#N/A	D 348/ 270
FDB 1693	ATE 916	D 3420
FDB 1697	#N/A	#N/A
FDB 1698	#N/A	#N/A
FDB 1699	#N/A	#N/A
FDB 170	ATE 247	D 247

FERODO DISC BRAKE PADS CROSS REFERENCE

FERODO

ATE

ALTERNATE No.

FDB 1704	#N/A	#N/A
FDB 1706	#N/A	#N/A
FDB 1707	#N/A	D 3452
FDB 1708	#N/A	D 3420
FDB 1709	#N/A	#N/A
FDB 1710	#N/A	#N/A
FDB 1711	#N/A	#N/A
FDB 1712	#N/A	#N/A
FDB 1713	#N/A	#N/A
FDB 1714	#N/A	#N/A
FDB 1715	#N/A	#N/A
FDB 1717	#N/A	#N/A
FDB 1725	#N/A	#N/A
FDB 1726	#N/A	#N/A
FDB 1727	#N/A	#N/A
FDB 1728	#N/A	#N/A
FDB 173	ATE 297	D 297
FDB 173	ATE 695	D 297
FDB 1731	#N/A	#N/A
FDB 1733	#N/A	D 3548
FDB 1735	#N/A	#N/A
FDB 1736	#N/A	#N/A
FDB 1737	#N/A	#N/A
FDB 1738	#N/A	#N/A
FDB 1747	#N/A	#N/A
FDB 1748	#N/A	#N/A
FDB 1749	#N/A	#N/A
FDB 1750	#N/A	#N/A
FDB 1751	#N/A	#N/A
FDB 1756	#N/A	#N/A
FDB 1758	#N/A	#N/A
FDB 1759	#N/A	#N/A
FDB 176	#N/A	D 274
FDB 1765	#N/A	#N/A
FDB 1766	#N/A	#N/A
FDB 1770	#N/A	#N/A
FDB 1773	#N/A	#N/A
FDB 1782	ATE 847	#N/A
FDB 1783	#N/A	#N/A
FDB 1784	#N/A	#N/A
FDB 1785	ATE 887	D 3458
FDB 1788	#N/A	#N/A
FDB 1790	#N/A	#N/A
FDB 1794	#N/A	#N/A
FDB 1795	#N/A	#N/A
FDB 1796	#N/A	#N/A
FDB 1797	#N/A	#N/A
FDB 1805	#N/A	#N/A
FDB 1806	#N/A	#N/A

FERODO DISC BRAKE PADS CROSS REFERENCE

FERODO

ATE

ALTERNATE No.

FDB 1807	#N/A	#N/A
FDB 1808	#N/A	#N/A
FDB 1809	#N/A	#N/A
FDB 1810	#N/A	#N/A
FDB 1816	ATE 468	#N/A
FDB 1817	ATE 465	D 3551
FDB 1818	#N/A	#N/A
FDB 1827	#N/A	#N/A
FDB 1829	ATE 511	D 3528
FDB 1830	#N/A	#N/A
FDB 1831	#N/A	#N/A
FDB 1832	#N/A	#N/A
FDB 1833	#N/A	#N/A
FDB 1835	#N/A	#N/A
FDB 1836	#N/A	D 3523
FDB 1837	#N/A	#N/A
FDB 1840	#N/A	#N/A
FDB 1841	#N/A	#N/A
FDB 1852	#N/A	D 3552
FDB 186	ATE 282	D 282
FDB 1860	ATE 518	D 3479
FDB 1865	#N/A	#N/A
FDB 1866	#N/A	#N/A
FDB 1867	#N/A	#N/A
FDB 1869	#N/A	#N/A
FDB 1881	#N/A	#N/A
FDB 1882	#N/A	#N/A
FDB 1883	#N/A	#N/A
FDB 1885	#N/A	#N/A
FDB 1890	#N/A	#N/A
FDB 1891	#N/A	#N/A
FDB 1892	#N/A	#N/A
FDB 1893	#N/A	#N/A
FDB 1894	#N/A	#N/A
FDB 1897	#N/A	#N/A
FDB 1900	ATE 520	#N/A
FDB 1903	#N/A	#N/A
FDB 1907	#N/A	#N/A
FDB 192	#N/A	D 299
FDB 1932	#N/A	#N/A
FDB 1936	#N/A	#N/A
FDB 1937	#N/A	#N/A
FDB 1942	#N/A	#N/A
FDB 1943	#N/A	#N/A
FDB 195	#N/A	D 3050
FDB 1950	#N/A	#N/A
FDB 1951	#N/A	#N/A
FDB 1955	#N/A	#N/A
FDB 1956	#N/A	#N/A

FERODO DISC BRAKE PADS CROSS REFERENCE

FERODO

ATE

ALTERNATE No.

FDB 1965	ATE 171	#N/A
FDB 2	ATE 102	D 102
FDB 2		D 141
FDB 20		D 120
FDB 206	ATE 327	D 327
FDB 208	ATE 303	D 303
FDB 209	#N/A	D 300
FDB 21	#N/A	D 122
FDB 210	#N/A	D 3167
FDB 211	#N/A	#N/A
FDB 212	#N/A	D 327/1
FDB 215	ATE 286	D 286
FDB 22	#N/A	D 123
FDB 222	ATE 521	D 965
FDB 225	#N/A	D 312
FDB 228	#N/A	D 287
FDB 229	ATE 463	D 277/1
FDB 234	ATE 261	D 261
FDB 24		D 130
FDB 241	#N/A	#N/A
FDB 242	#N/A	D 339
FDB 243	ATE 311	D 311
FDB 256	ATE 469	D 971
FDB 258	ATE 277	D 277
FDB 259	ATE 334	D 334
FDB 262	#N/A	D 952
FDB 265	#N/A	D 3229
FDB 270	#N/A	#N/A
FDB 271	#N/A	D 943
FDB 276	#N/A	D 961
FDB 279	ATE 572	D 3004
FDB 28		D 124
FDB 282	ATE 534	D 967
FDB 284	ATE 343	D 343
FDB 285	ATE 603	D 959
FDB 286	#N/A	D 174/2
FDB 287	#N/A	D 3096
FDB 288	ATE 252	D 252
FDB 29	#N/A	D 134
FDB 290	#N/A	D 3230
FDB 293	#N/A	D 346
FDB 295	ATE 347	D 347
FDB 296	ATE 475	D 966
FDB 297	#N/A	#N/A
FDB 3	ATE 101	D 101/ 111
FDB 3		D 111
FDB 300	ATE 563	D 988
FDB 301	ATE 604	D 963
FDB 303	ATE 474	D 957

FERODO DISC BRAKE PADS CROSS REFERENCE

FERODO

ATE

ALTERNATE No.

FDB 304	ATE 116	D 944
FDB 304	ATE 117	D 944
FDB 306	ATE 661	D 980
FDB 308	ATE 470	D 964
FDB 319	#N/A	D 948
FDB 328	#N/A	#N/A
FDB 33		D 126
FDB 330	#N/A	D 4001
FDB 34	ATE 152	D 152
FDB 340	ATE 606	D 954
FDB 342		D 89
FDB 342	#N/A	D 89
FDB 343	ATE 467	D 953
FDB 349	#N/A	D 958
FDB 350	#N/A	D 4027
FDB 351	ATE 573	D 992
FDB 354	ATE 525	D 970
FDB 357	#N/A	D 951
FDB 359	#N/A	#N/A
FDB 360	#N/A	#N/A
FDB 362	#N/A	#N/A
FDB 364	#N/A	#N/A
FDB 368	#N/A	D 960
FDB 370	ATE 574	D 994
FDB 372	#N/A	D 3453
FDB 373	ATE 524	D 949
FDB 374	ATE 319	D 312/1
FDB 388	ATE 889	D 947
FDB 39	ATE 155	D 155
FDB 392	ATE 562	D 962
FDB 393	#N/A	D 3228
FDB 395	ATE 476	D 968
FDB 396	ATE 607	D 955
FDB 398	ATE 539	D 987
FDB 40	#N/A	D 148
FDB 406	ATE 704	D 3110
FDB 407	ATE 1165	D 950
FDB 409	ATE 575	D 995
FDB 410	#N/A	#N/A
FDB 413	ATE 558	D 984
FDB 415	ATE 472	D 977
FDB 418	ATE 996	D 946
FDB 419	ATE 486	D 976
FDB 42	#N/A	D 149
FDB 435	ATE 650	D 3047
FDB 444	ATE 691	D 3098
FDB 451	#N/A	D 4002
FDB 456	#N/A	#N/A
FDB 458	#N/A	D 4019

FERODO DISC BRAKE PADS CROSS REFERENCE

FERODO

ATE

ALTERNATE No.

FDB 46	ATE 145	D 145
FDB 468	#N/A	D 4007
FDB 469	#N/A	D 4008
FDB 470	#N/A	D 3268
FDB 471	ATE 636	D 3055
FDB 472	ATE 566	D 3002
FDB 473	ATE 523	D 3077
FDB 474	ATE 605	D 956
FDB 476	#N/A	D 3038
FDB 477	#N/A	D 3039
FDB 478	ATE 490	D 972
FDB 482	ATE 492	D 969
FDB 484	#N/A	D 3269
FDB 486	ATE 494	D 973
FDB 506	#N/A	D 3146
FDB 517	ATE 533	D 979
FDB 520	ATE 629	D 3054
FDB 522	#N/A	D 3381
FDB 525	#N/A	D 3036
FDB 526	ATE 493	D 981
FDB 530	#N/A	D 3021
FDB 539		D 129
FDB 54		D 142
FDB 540	ATE 701	D 3104
FDB 541		D 138
FDB 542	#N/A	D 4031
FDB 544	#N/A	D 985
FDB 554	ATE 519	D 3078
FDB 554Q	#N/A	D 3522
FDB 556	ATE 671	D 3071
FDB 558	ATE 702	D 3183
FDB 560	#N/A	D 4003
FDB 562	#N/A	#N/A
FDB 563	ATE 585	D 3041/3042
FDB 565	#N/A	D 4018
FDB 576	#N/A	D 3032
FDB 577	#N/A	D3043
FDB 578	#N/A	D 3016
FDB 579	ATE 537	D 3015
FDB 579/1	ATE 537	D 3015
FDB 580	ATE 488	D 975
FDB 584	ATE 570	D 999
FDB 585	#N/A	#N/A
FDB 586	ATE 571	D 3001
FDB 586	ATE 617	D 3001
FDB 589	ATE 745	D 3117
FDB 590	ATE 616	D 3025
FDB 595	#N/A	#N/A
FDB 596	#N/A	D 4026

FERODO DISC BRAKE PADS CROSS REFERENCE

FERODO

ATE

ALTERNATE No.

FDB 597	#N/A	D 3153
FDB 598	ATE 540	D 989
FDB 600	ATE 589	D 3046
FDB 600	ATE 680	D 3087
FDB 604	ATE 824	D 3338
FDB 613	#N/A	#N/A
FDB 617	ATE 679	D 4035
FDB 618	ATE 495	D 974
FDB 619	#N/A	D 3107
FDB 62	ATE 160	D 160
FDB 621	ATE 566	D 3020
FDB 622	#N/A	D 3270
FDB 629	#N/A	D 3057
FDB 632	#N/A	D 4017
FDB 633	ATE 569	D 991
FDB 638	ATE 681	D 3092
FDB 643	ATE 995	D 945
FDB 644	ATE 878	D 3271
FDB 645	#N/A	D 3058
FDB 646	#N/A	D 3059
FDB 647	#N/A	D 4028
FDB 649	#N/A	#N/A
FDB 650	#N/A	#N/A
FDB 651	#N/A	D 4013
FDB 652	ATE 576	D 996
FDB 653	ATE 624	D 3031
FDB 654	#N/A	D 3074
FDB 669	#N/A	D 3056
FDB 670	#N/A	D 3145
FDB 676	#N/A	D 4024
FDB 678	ATE 578	D 990
FDB 679	#N/A	D 3049
FDB 681	ATE 663	D 4021
FDB 681	ATE 663	D 4052
FDB 686	#N/A	D 3413
FDB 691	#N/A	#N/A
FDB 693	#N/A	D 3061
FDB 707	ATE 826	D 3182
FDB 71	#N/A	D 164
FDB 710	#N/A	#N/A
FDB 712	ATE 666	D 3346
FDB 714	ATE 682	D 3091
FDB 715	#N/A	D 3358
FDB 716	#N/A	D 3048
FDB 72	#N/A	D 163
FDB 721	#N/A	#N/A
FDB 725	ATE 593	D 3009
FDB 727	#N/A	D 4015
FDB 732	#N/A	D 3100

FERODO DISC BRAKE PADS CROSS REFERENCE

FERODO

ATE

ALTERNATE No.

FDB 746	#N/A	D 3326
FDB 748	ATE 612	D 3019
FDB 749	#N/A	D 3423
FDB 755	ATE 584	D 3005
FDB 756	ATE 588	D 3006
FDB 757	ATE 595	D 3003
FDB 763	ATE 598	D 3013
FDB 765	ATE 664	D 3072
FDB 766	ATE 776	D 3121
FDB 767	ATE 802	D 3099
FDB 768	#N/A	D 4014
FDB 774	ATE 647	D 3045
FDB 775	#N/A	#N/A
FDB 776	ATE 614	D 3022
FDB 777	ATE 613	D 3024
FDB 778	ATE 633	D 3023
FDB 779	ATE 532	D 993
FDB 788	ATE 610	D 3010
FDB 789	ATE 685	D 4011
FDB 790	ATE 686	D 4012
FDB 795	ATE 590	D 998
FDB 796	ATE 611	D 3011
FDB 797	ATE 577	D 997
FDB 798	#N/A	D 3063
FDB 799	ATE 643	D 3064
FDB 800	#N/A	D 3062
FDB 804	ATE 615	D 3070
FDB 806	#N/A	D 4009
FDB 807	#N/A	D 4010
FDB 809	ATE 103	D 103
FDB 809		D 119
FDB 811	#N/A	D 103
FDB 813	#N/A	D 143
FDB 814	#N/A	D 165
FDB 815		D 97
FDB 815	ATE 97	D 97
FDB 816	#N/A	#N/A
FDB 817	#N/A	D 244
FDB 821	#N/A	#N/A
FDB 822	#N/A	D 175
FDB 823		D 71
FDB 823	#N/A	D 71
FDB 824	#N/A	#N/A
FDB 825		D 85
FDB 825	#N/A	D 85
FDB 826	#N/A	D 136
FDB 83	ATE 188	D 188
FDB 830	ATE 183	D 183
FDB 836	ATE 510	D 3051

FERODO DISC BRAKE PADS CROSS REFERENCE

FERODO

ATE

ALTERNATE No.

FDB 84	ATE 195	D 195
FDB 841	ATE 635	D 3053
FDB 844	#N/A	#N/A
FDB 845	ATE 749	D 3112
FDB 848	ATE 625	D 3029
FDB 85	#N/A	D 205
FDB 850	#N/A	D 3012
FDB 854	ATE 667	D 3060
FDB 855	#N/A	D 4025
FDB 856	#N/A	D 4005
FDB 857	#N/A	D 4006
FDB 86	#N/A	D 154
FDB 867	ATE 599	D 3030/3158
FDB 868	ATE 619	D 3028
FDB 869	ATE 628	D 3033
FDB 87	#N/A	D 184
FDB 870	ATE 627	D 3034
FDB 871	ATE 626	D 4056
FDB 872	ATE 746	D 3115
FDB 876	#N/A	D 3273
FDB 878	ATE 705	D 3109
FDB 880	ATE 879	D 3113
FDB 884	ATE 770	D 3120
FDB 885		D 84
FDB 885	ATE 84	D 84
FDB 890	#N/A	D 3408
FDB 896	ATE 820	D 3208
FDB 9		D 83
FDB 9		D 86
FDB 9	#N/A	D 83
FDB 901	ATE 692	D 3347
FDB 904	ATE 728	D 3075
FDB 905	ATE 747	D 3136
FDB 908		D 52
FDB 908	#N/A	D 52
FDB 909	#N/A	D 3187
FDB 91	ATE 230	D 230
FDB 912	ATE 893	
FDB 913	#N/A	D 3122
FDB 917	#N/A	D 3348
FDB 92	#N/A	D 231
FDB 920	#N/A	#N/A
FDB 928	#N/A	D 3040
FDB 929	#N/A	D 3118
FDB 93	#N/A	D 232
FDB 930	#N/A	D 3097
FDB 931	#N/A	D 3186
FDB 932	#N/A	D 3274
FDB 937	#N/A	D 3159

FERODO DISC BRAKE PADS CROSS REFERENCE

FERODO

ATE

ALTERNATE No.

FDB 938	#N/A	D 3154
FDB 94	#N/A	D 196
FDB 943	#N/A	#N/A
FDB 945	#N/A	D 3037
FDB 946	ATE 592	D 3027
FDB 948	#N/A	D 3275
FDB 95	#N/A	D 198
FDB 950	ATE 627	D 3034
FDB 951	ATE 665	D 3044
FDB 953	#N/A	D 3343
FDB 954	#N/A	#N/A
FDB 956	ATE 729	D 3076
FDB 965	ATE 623	D 3068
FDB 966	ATE 622	D 3069
FDB 969	ATE 744	D 3201
FDB 971	#N/A	D 4020
FDB 973	#N/A	D 3414
FDB 974	ATE 771	D 3162
FDB 979	ATE 473	D 978
FDB 980	ATE 766	D 3143
FDB 981	ATE 767	D 3144
FDB 985	ATE 794	D 4040
FDB 986	ATE 591	D 3067
FDB 994	#N/A	D 4033
FDB 995	#N/A	D 3195
FDB 997	ATE 895	D 3301
FDB 998	#N/A	D 3311
FDB 999	ATE 701	D 3104
FDS 1307	#N/A	#N/A
FDS 1308	#N/A	#N/A
FDS 891	#N/A	#N/A
FVR 1038	ATE 762	D 3163
FVR 1043	ATE 856	D 3156
FVR 1045	ATE 764	D 3164
FVR 1102	#N/A	D 3126
FVR 1131	#N/A	#N/A
FVR 1132	ATE 788	#N/A
FVR 1306	#N/A	D 3232
FVR 1315	ATE 855	D 3380
FVR 1350	#N/A	D 3437
FVR 1351	#N/A	D 3422
FVR 1390	#N/A	D 3438
FVR 1405	#N/A	D 3385
FVR 1452	#N/A	#N/A
FVR 1453	#N/A	#N/A
FVR 1479	#N/A	#N/A
FVR 1484	#N/A	#N/A
FVR 1497	ATE 902	#N/A
FVR 1515	#N/A	#N/A

FERODO DISC BRAKE PADS CROSS REFERENCE

FERODO

ATE

ALTERNATE No.

FVR 1516	#N/A	#N/A
FVR 1518	#N/A	#N/A
FVR 1568	#N/A	#N/A
FVR 1642	#N/A	#N/A
FVR 1643	#N/A	#N/A
FVR 1644	#N/A	#N/A
FVR 655	#N/A	#N/A
FVR 709	#N/A	#N/A
FVR 829	ATE 182	#N/A
FVR 852	#N/A	#N/A
FVR 968	#N/A	D 3223
FVR 970	ATE 787	#N/A
MX 1149	#N/A	#N/A
MX 154	#N/A	D 3297
MX 369	#N/A	#N/A
MX 666	#N/A	D 3119
MX 670	ATE 789	D 3095
MX 726	#N/A	D 3234
MX 759	#N/A	D 3331
MX 770	#N/A	#N/A
MX 772	#N/A	D 3233
MX 774	#N/A	D 3356
MX 785	#N/A	#N/A
MX 790	#N/A	D 3116
MX 791	#N/A	D 3443
MX 834	#N/A	#N/A
MX 841	#N/A	D 3313
MX 856	#N/A	D 3426
MX 866	#N/A	#N/A
MX 867	#N/A	D 3365
PD 1037	#N/A	#N/A
PD 1080	#N/A	#N/A
PD 1087	#N/A	#N/A
PD 1094	ATE 528	D 3550
PD 1181	#N/A	#N/A
PD 721	#N/A	D 3169
PD 729	#N/A	D 3235
PD 773	#N/A	D 3238
PDB 1	#N/A	D 133
PDB 1	#N/A	D 133
PDB 6	ATE 187	D 187

ALTERNATE DISC BRAKE PADS CROSS REFERENCE

ALTERNATE No.

FERODO

ATE

D 100	FDB 12	#N/A
D 101	FDB 3	ATE 101
D 102	FDB 2	ATE 102
D 103	FDB 809	ATE 103
D 103	FDB 811	#N/A
D 105	FD 535	ATE 105
D 111	FDB 3	ATE 101
D 112	FDB 11	ATE 112
D 116	FD 35L	#N/A
D 117	FD 29L	#N/A
D 118	FD 545	#N/A
D 120	FDB 20	#N/A
D 122	FDB 21	#N/A
D 123	FDB 22	#N/A
D 124	FDB 28	#N/A
D 125	FDB 23	#N/A
D 126	FDB 33	#N/A
D 129	FD 539	#N/A
D 130	FDB 24	#N/A
D 133	PDB 1	#N/A
D 134	FDB 29	#N/A
D 136	FDB 826	#N/A
D 138	FD 541	#N/A
D 139	FD 547	#N/A
D 141	FDB 2	
D 142	FDB 54	#N/A
D 143	FDB 813	#N/A
D 144	FDB 36	#N/A
D 145	FDB 46	ATE 145
D 146	FDB 86	
D 148	FDB 40	#N/A
D 149	FDB 42	#N/A
D 150	FDB 43	#N/A
D 152	FDB 34	ATE 152
D 153	FDB 35	#N/A
D 154	FDB 86	#N/A
D 155	FDB 39	ATE 155
D 158	FD 44L	#N/A
D 159	FDB 77	#N/A
D 160	FDB 62	ATE 160
D 163	FDB 56	#N/A
D 163	FDB 72	#N/A
D 164	FDB 71	#N/A
D 165	FDB 814	#N/A
D 166	FD 555	#N/A
D 171	FD 715	#N/A
D 174/1	FD 558	ATE 174
D 174/2	FDB 286	#N/A
D 175	FDB 822	#N/A

ALTERNATE DISC BRAKE PADS CROSS REFERENCE

ALTERNATE No.

FERODO

ATE

D 179	FDB 69	#N/A
D 180	FDB 81	#N/A
D 182	FDB 829	#N/A
D 183	FDB 830	ATE 183
D 184	FDB 87	#N/A
D 185	FDB 68	#N/A
D 187	PDB 6	ATE 187
D 188	FDB 83	ATE 188
D 189	FDB 98	#N/A
D 190	FD 559	ATE 190
D 195	FDB 84	ATE 195
D 196	FDB 94	#N/A
D 198	FDB 95	#N/A
D 199	FDB 105	ATE 199
D 200	FDB 128	ATE 200
D 201	FDB 114	#N/A
D 205	FDB 85	#N/A
D 228	FDB 99	#N/A
D 230	FDB 91	ATE 230
D 231	FDB 92	#N/A
D 232	FDB 93	#N/A
D 235	FDB 130	#N/A
D 238	FDB 101	#N/A
D 239	FDB 102	#N/A
D 240	FDB 123	ATE 240
D 244	FDB 817	#N/A
D 247	FDB 170	ATE 247
D 252	FDB 288	ATE 252
D 254	FDB 143	ATE 198/1
D 260	FDB 149	#N/A
D 261	FDB 234	ATE 261
D 262	FDB 153	ATE 262
D 263	FDB 154	#N/A
D 268	FDB 142	#N/A
D 274	FDB 176	#N/A
D 277	FDB 258	ATE 277
D 277/1	FDB 229	ATE 463
D 282	FDB 186	ATE 282
D 286	FDB 215	ATE 286
D 287	FDB 228	#N/A
D 292	FDB 163	ATE 152/1
D 293	FDB 162	ATE 101/1
D 294	FDB 161	#N/A
D 297	FDB 173	ATE 297
D 298	FDB 164	#N/A
D 299	FDB 192	#N/A
D 300	FDB 209	#N/A
D 3001	FDB 586	ATE 571
D 3002	FDB 472	ATE 566

ALTERNATE DISC BRAKE PADS CROSS REFERENCE

ALTERNATE No.

FERODO

ATE

D 3003	FDB 757	ATE 595
D 3004	FDB 279	ATE 572
D 3005	FDB 755	ATE 584
D 3006	FDB 756	ATE 588
D 3007	FDB 692	#N/A
D 3008	FDB 795	ATE 590
D 3009	FDB 725	ATE 593
D 3010	FDB 788	ATE 610
D 3011	FDB 796	ATE 611
D 3012	FDB 850	#N/A
D 3013	FDB 763	ATE 598
D 3014	FCV 501	ATE 579
D 3015	FDB 579	ATE 537
D 3016	FDB 578	#N/A
D 3017	FRP 203	#N/A
D 3019	FDB 748	ATE 612
D 3020	FDB 621	ATE 566
D 3021	FDB 530	#N/A
D 3022	FDB 776	ATE 614
D 3023	FDB 778	ATE 633
D 3024	FDB 777	ATE 613
D 3025	FDB 590	ATE 616
D 3027	FDB 946	ATE 592
D 3028	FDB 868	ATE 619
D 3029	FDB 848	ATE 625
D 303	FDB 208	ATE 303
D 3030/3158	FDB 867	ATE 599
D 3031	FDB 653	ATE 624
D 3032	FDB 576	#N/A
D 3033	FDB 869	ATE 628
D 3034	FDB 870	ATE 627
D 3036	FDB 525	#N/A
D 3037	FDB 945	#N/A
D 3038	FDB 476	#N/A
D 3039	FDB 477	#N/A
D 3040	FDB 928	#N/A
D 3041/3042	FDB 563	ATE 585
D 3043	FDB 577	#N/A
D 3044	FDB 951	ATE 665
D 3045	FDB 774	ATE 647
D 3046	FDB 600	ATE 589
D 3047	FDB 435	ATE 650
D 3048	FDB 716	#N/A
D 3049	FDB 679	#N/A
D 3050	FDB 195	#N/A
D 3051	FDB 836	ATE 510
D 3053	FDB 841	ATE 635
D 3054	FDB 520	ATE 629
D 3055	FDB 471	ATE 636

ALTERNATE DISC BRAKE PADS CROSS REFERENCE

ALTERNATE No.

FERODO

ATE

D 3056	FDB 669	#N/A
D 3057	FDB 629	#N/A
D 3058	FDB 645	#N/A
D 3059	FDB 646	#N/A
D 3060	FDB 854	ATE 667
D 3061	FDB 693	#N/A
D 3062	FDB 800	#N/A
D 3063	FDB 798	#N/A
D 3064	FDB 799	ATE 643
D 3066	FCV 239	ATE 638
D 3067	FDB 986	ATE 591
D 3068	FDB 965	ATE 623
D 3069	FDB 966	ATE 622
D 3070	FDB 804	ATE 615
D 3071	FDB 556	ATE 671
D 3072	FDB 765	ATE 664
D 3073	FDB 1021	ATE 689
D 3074	FDB 654	#N/A
D 3075	FDB 904	ATE 728
D 3076	FDB 956	ATE 729
D 3077	FDB 473	ATE 523
D 3078	FDB 1320	ATE 519
D 3079	FDB 1349	ATE 883
D 3081	FDB 1073	#N/A
D 3082	FDB 600	ATE 589
D 3084	FDB 930	#N/A
D 3085	FDB 1016	#N/A
D 3086	FDB 1534	#N/A
D 3087	FDB 600	ATE 589
D 3088	FDB 1014	ATE 757
D 3089	FDB 1015	ATE 670
D 3090	FDB 1017	ATE 733
D 3091	FDB 714	ATE 682
D 3092	FDB 638	ATE 681
D 3094	FDB 1012	ATE 683
D 3095	MX 670	#N/A
D 3096	FDB 287	#N/A
D 3097	FDB 930	#N/A
D 3098	FDB 444	ATE 691
D 3099	FDB 767	ATE 802
D 3100	FDB 732	#N/A
D 3102	FDB 1049	ATE 697
D 3103	FDB 693	#N/A
D 3104	FDB 540	ATE 701
D 3105	FDB 1054	ATE 739
D 3106	FDB 1288	ATE 740
D 3107	FDB 619	#N/A
D 3108	FDB 972	#N/A
D 3109	FDB 878	ATE 705

ALTERNATE DISC BRAKE PADS CROSS REFERENCE

ALTERNATE No.	FERODO	ATE
D 311	FDB 243	ATE 311
D 3110	FDB 406	ATE 704
D 3112	FDB 845	ATE 749
D 3113	FDB 880	ATE 879
D 3114	FDB 114	
D 3115	FDB 872	ATE 746
D 3116	FDB 1523	#N/A
D 3117	FDB 589	ATE 745
D 3118	FDB 929	#N/A
D 3119	MX 666	#N/A
D 312	FDB 225	#N/A
D 312/1	FDB 374	ATE 319
D 3120	FDB 884	ATE 770
D 3121	FDB 766	ATE 776
D 3122	FDB 913	#N/A
D 3123	FDB 1117	#N/A
D 3124	FDB 1156	ATE 668
D 3125	FDB 1157	ATE 669
D 3126	FCV 1102	#N/A
D 3128	FDB 1097	#N/A
D 3129	FDB 1099	#N/A
D 3130	FDB 1099	
D 3131	FDB 1098	ATE 753
D 3133	FDB 1369	ATE 696
D 3134	FDB 1336	#N/A
D 3135	FDB 759	
D 3136	FDB 905	ATE 747
D 3138	FDB 761	ATE 721
D 3139	FDB 778	ATE 633
D 3140	FDB 1084	ATE 717
D 3141	FDB 1063	ATE 808
D 3142	FDB 1415	#N/A
D 3143	FDB 980	ATE 766
D 3144	FDB 981	ATE 767
D 3145	FDB 670	#N/A
D 3146	FDB 506	#N/A
D 3147	FDB 1510	#N/A
D 3148	FDB 1475	#N/A
D 3149	FDB 982	ATE 694
D 3151	FDB 1125	#N/A
D 3152	FDB 1569	#N/A
D 3153	FDB 597	#N/A
D 3154	FDB 938	#N/A
D 3155	FDB 1310	ATE 761
D 3156	FCV 1043	ATE 856
D 3157	FDB 1051	#N/A
D 3158	FDB 867	ATE 599
D 3159	FDB 937	#N/A
D 3160	FDB 1267	ATE 751

ALTERNATE DISC BRAKE PADS CROSS REFERENCE

ALTERNATE No.

FERODO

ATE

D 3161	FDB 1267	ATE 827
D 3162	FDB 974	ATE 771
D 3163	FVR 1038	ATE 762
D 3164	FVR 1045	ATE 764
D 3165	FDB 1646	#N/A
D 3166	FDB 1104	#N/A
D 3167	FDB 210	#N/A
D 3168	FDB 1137	ATE 881
D 3169	FCP 1327S	#N/A
D 3173	FDB 1025	ATE 778
D 3174	FDB 1135	ATE 874
D 3175	FDB 1289	ATE 913
D 3176	FDB 1312	ATE 912
D 3177	FDB 1083	ATE 561
D 3178	FDB 774	
D 3179	FDB 1094	ATE 817
D 3180	FDB 1124	ATE 880
D 3181	FDB 1096	ATE 825
D 3182	FDB 707	ATE 826
D 3183	FDB 558	ATE 702
D 3184	FDB 1055	#N/A
D 3186	FDB 931	#N/A
D 3187	FDB 909	#N/A
D 3188	FDB 1291	ATE 765
D 3189	FDB 797	ATE 577
D 3190	FVR 655	#N/A
D 3194	FDB 1052	ATE 882
D 3195	FDB 995	#N/A
D 3196	FDB 1400	ATE 907
D 3197	FDB 1401	ATE 908
D 3198	FDB 1337	ATE 716
D 3199	FDB 1094	ATE 817
D 320	FDB 241	
D 3200	FDB 1083	ATE 561
D 3201	FDB 969	ATE 744
D 3203	FDB 1326	ATE 869
D 3204	FDB 1300	#N/A
D 3205	FDB 1301	ATE 538
D 3206	FDB 970	#N/A
D 3207	FDB 1132	ATE 788
D 3208	FDB 896	ATE 820
D 3209	FDB 1376	ATE 832
D 3211	FDB 1554	#N/A
D 3212	FDB 1564	#N/A
D 3213	FDB 1684	#N/A
D 3214	FDB 845	ATE 749
D 3217	FDB 1052	ATE 882
D 3218	FDB 1113	#N/A
D 3219	FDB 1535	#N/A

ALTERNATE DISC BRAKE PADS CROSS REFERENCE

ALTERNATE No.

FERODO

ATE

D 3221	FDB 1535	#N/A
D 3222	FDB 967	
D 3223	FVR 968	#N/A
D 3225	FFDB 1093	
D 3226	FDB 1265	
D 3227	FDB 1264	
D 3228	FDB 393	#N/A
D 3229	FDB 265	#N/A
D 3230	FDB 290	#N/A
D 3232	FDB 1304	#N/A
D 3233	MX 772	#N/A
D 3234	MX 726	#N/A
D 3238	PD 773	#N/A
D 3239	FDB 1318	ATE 842
D 3240	FDB 1319	ATE 868
D 3242	FCV 501	ATE 579
D 3256	FCV 852	#N/A
D 3257	FCV 1583B	
D 3260	FCV 523	
D 3263	FDB 1334	#N/A
D 3266	FDB 1422	#N/A
D 3268	FDB 470	#N/A
D 3269	FDB 484	#N/A
D 327	FDB 206	ATE 327
D 327/1	FDB 212	#N/A
D 3270	FDB 622	#N/A
D 3271	FDB 644	ATE 878
D 3272	FDB 1071	#N/A
D 3273	FDB 623	#N/A
D 3274	FDB 932	#N/A
D 3275	FDB 948	#N/A
D 3276	FDB 1009	ATE 772
D 3278	FDB 1049	ATE 697
D 3279	FDB 1455	ATE 857
D 3280	FDB 1085	#N/A
D 3282	FDB 1379	#N/A
D 3283	FDB 1130	#N/A
D 3284	FVR 1163	#N/A
D 3285	FDB 1382	ATE 904
D 3286	FDB 1383	ATE 905
D 3287	FDB 986	ATE 591
D 3289	FDB 1083	ATE 561
D 3291	FDB 1099	#N/A
D 3294	FDB 732	#N/A
D 3295	FDB 1398	ATE 822
D 3297	MX 154	#N/A
D 3298	FDB 1293	ATE 834
D 3299	FDB 1295	ATE 835
D 3300	FDB 1294	ATE 836

ALTERNATE DISC BRAKE PADS CROSS REFERENCE

ALTERNATE No.

FERODO

ATE

D 3301	FDB 1370	ATE 895
D 3303	FDB 800	#N/A
D 3304	FDB 1465	ATE 858
D 3305	FDB 1050	#N/A
D 3306	FDB 1050	#N/A
D 3307	FDB 1370	ATE 873
D 3309	FDB 1463	ATE 854
D 3310	FDB 1297	#N/A
D 3311	FDB 998	#N/A
D 3312	FDB 1483	ATE 867
D 3313	MX 841	#N/A
D 3314	FDB 1486	#N/A
D 3315	FDB 1303	ATE 846
D 3316	FDB 854	
D 3317	FDB 1310	ATE 761
D 3318	FDB 1558	#N/A
D 3319	FDB 1311	ATE 833
D 3320	FDB 222	ATE 521
D 3321	FDB 1322	ATE 841
D 3322	FDB 1050	#N/A
D 3323	FDB 1037	#N/A
D 3325	FDB 1485	#N/A
D 3326	FDB 746	#N/A
D 3327	FDB 619	#N/A
D 3329	FDB 1384	ATE 859
D 3331	FDB 1099	#N/A
D 3333	FDB 1610	#N/A
D 3335	FDB 486	ATE 494
D 3336	FDB 1304	#N/A
D 3337	FDB 1020	#N/A
D 3338	FDB 604	ATE 824
D 334	FDB 259	ATE 334
D 3340	FDB 966	ATE 622
D 3341	FDB 1612	#N/A
D 3343	FDB 953	#N/A
D 3345	FDB 1075	#N/A
D 3346	FDB 712	ATE 666
D 3347	FDB 901	ATE 692
D 3348	FDB 917	#N/A
D 3351	FDB 1411	ATE 876
D 3352	FDB 1413	#N/A
D 3353	FDB 1412	ATE 877
D 3356	FDB 1536	#N/A
D 3357	FDB 1595	ATE 924
D 3358	FDB 715	#N/A
D 3359	FDB 1602	#N/A
D 3361	FDB 1473	#N/A
D 3362	FDB 1600	#N/A
D 3363	FDB 1754	

ALTERNATE DISC BRAKE PADS CROSS REFERENCE

ALTERNATE No.

FERODO

ATE

D 3364	FDB 1596	#N/A
D 3365	FDB 1603	#N/A
D 3366	FDB 1604	#N/A
D 3367	FDB 1565	
D 3368	FDB 1565	ATE 760
D 3369	FDB 1437	#N/A
D 3370	FDB 1686	
D 3371	FDB 1437	
D 3372	FDB 1686	
D 3373	FDB 1573	ATE 862
D 3374	FDB 1574	ATE 863
D 3375	FDB 1564	#N/A
D 3376	FDB 1610	#N/A
D 3377	FDB 1499	ATE 933
D 3378	FDB 1676	#N/A
D 3379	FDB 1474	#N/A
D 3380	FVR 1315	ATE 855
D 3381	FDB 522	#N/A
D 3382	FDB 1577	#N/A
D 3383	FDB 937	
D 3384	FDB 1577	
D 3385	FVR 1405	#N/A
D 3386	FDB 937	
D 3387	FDB 1508	#N/A
D 3388	FDB 1167	#N/A
D 3389	FDB 1289	ATE 865
D 339	FDB 242	#N/A
D 3390	FDB 1323	ATE 864
D 3391	FDB 1407	#N/A
D 3392	FDB 1628	#N/A
D 3393	FDB 1673	#N/A
D 3394	FDB 1628	#N/A
D 3395	FDB 1672	#N/A
D 3396	FDB 1392	#N/A
D 3397	FDB 470	#N/A
D 3398	FDB 1514	ATE 927
D 3399	FDB 1531	#N/A
D 3400	FDB 1156	
D 3402	FDB 1355	#N/A
D 3403	FDB 1420	ATE 906
D 3404	FDB 1278	#N/A
D 3405	FDB 1441	ATE 884
D 3406	FDB 1540	#N/A
D 3407	FDB 1541	ATE 885
D 3408	FDB 890	#N/A
D 3409	FDB 1115	#N/A
D 3410	FDB 1476	ATE 871
D 3411	FDB 1112	#N/A
D 3412	FDB 1168	#N/A

ALTERNATE DISC BRAKE PADS CROSS REFERENCE

ALTERNATE No.

FERODO

ATE

D 3413	FDB 686	#N/A
D 3414	FDB 973	#N/A
D 3415	FDB 686	#N/A
D 3416	FDB 973	#N/A
D 3417	FDB 1535	
D 3418	FDB 1521	#N/A
D 3419	FDB 1263	ATE 915
D 3420	FDB 1693	ATE 916
D 3421	FDB 1029	#N/A
D 3422	FCV 1351	#N/A
D 3423	FDB 749	#N/A
D 3424	FDB 1501	#N/A
D 3425	FDB 1509	#N/A
D 3426	FDB 1510	#N/A
D 3427	FDB 1475	#N/A
D 343	FDB 284	ATE 343
D 3430	FDB 1428	#N/A
D 3431	FDB 1050	ATE 845
D 3432	FDB 1414	#N/A
D 3433	FDB 1526	#N/A
D 3434	FDB 1426	ATE 909
D 3435	FDB 1512	ATE 910
D 3436	FDB 1427	#N/A
D 3437	FCV 1350	#N/A
D 3438	FCV 1390	#N/A
D 3439	FDB 1605	#N/A
D 3440	FDB 1606	#N/A
D 3441	FDB 1444	#N/A
D 3442	FDB 956	
D 3443	MX 791	#N/A
D 3444	FDB 1399	ATE 926
D 3445	FDB 1424	ATE 861
D 3446	FDB 1528	ATE 900
D 3447	FDB 1395	ATE 901
D 3449	FDB 435	ATE 650
D 3450	FDB 759	#N/A
D 3451	FDB 1399	ATE 926
D 3452	FDB 1707	#N/A
D 3453	FDB 372	#N/A
D 3454	FDB 1594	ATE 936
D 3455	FDB 1394	ATE 914
D 3456	FDB 1542	ATE 917
D 3457	FDB 1543	#N/A
D 3458	FDB 1544	ATE 887
D 346	FDB 293	#N/A
D 3462	FDB 1950	
D 3465	FDB 1617	#N/A
D 347	FDB 295	ATE 347
D 3473	FDB 1493	

ALTERNATE DISC BRAKE PADS CROSS REFERENCE

ALTERNATE No.	FERODO	ATE
D 3479	FDB 1860	ATE 518
D 348/ 270	FDB 169	#N/A
D 3483	FDB 1636	
D 3484	FDB 1640	
D 3485	FDB 1528	
D 3492	FDB 1728	
D 3494	FDB 1494	
D 3499		#N/A
D 3502	FDB 1816	
D 3508	FDB 1429	
D 3519	FDB 1557	
D 3520	FDB 1532	
D 3522	FDB 554Q	#N/A
D 3523	FDB 797	#N/A
D 3541	FDB 1751	
D 3542	FDB 1747	
D 3545	FDB 1628	
D 3548	FDB 1733	#N/A
D 3549	FDB 588	#N/A
D 3550	FDB 1745	ATE 528
D 3551	FDB 1817	ATE 465
D 3552	FDB 1852	#N/A
D 3553	FDB 1641	#N/A
D 3554	FDB 1698	
D 3555	FDB 1773	#N/A
D 3556	FDB 1955	
D 3559	FDB 1452	
D 3567	FDB 1648	
D 3568	FDB 1453	
D 3571	FDB 1369	
D 3573	FDB 1965	
D 3576	FDB 1829	
D 3577	FDB 1881	
D 3578	FDB 1704	
D 3579	FDB 1421	
D 3580	FDB 1942	
D 3581	FDB 1943	
D 3595	FDB 1806	
D 3597	FDB 1568	
D 3622	FDB 1652	
D 3632	FVR 1778	
D 3633	FVR 1780	
D 3665	FDB 1480	
D 3703	FDB 1621	
D 3745	FDB 1679	
D 3754	FDB 1936	
D 4001	FDB 330	#N/A
D 4002	FDB 451	#N/A
D 4003	FDB 560	#N/A

ALTERNATE DISC BRAKE PADS CROSS REFERENCE

ALTERNATE No.

FERODO

ATE

D 4004	FDB 165	#N/A
D 4005	FDB 856	#N/A
D 4006	FDB 857	#N/A
D 4007	FDB 468	#N/A
D 4008	FDB 469	#N/A
D 4009	FDB 806	#N/A
D 4010	FDB 807	#N/A
D 4011	FDB 789	ATE 685
D 4012	FDB 790	ATE 686
D 4013	FDB 651	#N/A
D 4014	FDB 768	#N/A
D 4015	FDB 727	#N/A
D 4016	FDS 891	#N/A
D 4017	FDB 632	#N/A
D 4018	FDB 565	#N/A
D 4019	FDB 458	#N/A
D 4020	FDB 971	#N/A
D 4021	FDB 681	ATE 663
D 4023	FDB 1024	#N/A
D 4024	FDB 676	#N/A
D 4025	FDB 855	#N/A
D 4026	FDB 596	#N/A
D 4027	FDB 350	#N/A
D 4028	FDB 647	#N/A
D 4029	FDB 409	ATE 575
D 4030	FDB 222	ATE 521
D 4031	FDB 542	#N/A
D 4032	FDB 164	#N/A
D 4033	FDB 994	#N/A
D 4035	FDB 617	ATE 679
D 4036	FDB 1000	#N/A
D 4037	FDB 1003	#N/A
D 4038	FDB 994	#N/A
D 4039	FDB 995	#N/A
D 4040	FDB 985	ATE 794
D 4041	FDB 997	ATE 895
D 4042	FDB 1001	#N/A
D 4043	FDB 1307	#N/A
D 4044	FDS 1308	#N/A
D 4045	FDB 1095	ATE 819
D 4046	FDB 1093	ATE 818
D 4047	FDB 1169	#N/A
D 4048	FDB 732	#N/A
D 4049	FDB 489	#N/A
D 4051	FDB 577	#N/A
D 4052	FDB 681	ATE 663
D 4053	FDB 704	
D 4055	FDB 901	ATE 692
D 4082	FDB 871	ATE 626

ALTERNATE DISC BRAKE PADS CROSS REFERENCE

ALTERNATE No.

FERODO

ATE

D 421	FDB 144	#N/A
D 51	FDB 10	
D 52	FDB 908	#N/A
D 66	FDB 14	
D 71	FDB 823	#N/A
D 72	FD 25L	#N/A
D 81	FD 525	#N/A
D 83	FD 531	#N/A
D 83	FDB 9	#N/A
D 84	FDB 885	ATE 84
D 85	FDB 825	#N/A
D 89	FDB 342	#N/A
D 91	FD 710	#N/A
D 943	FDB 271	#N/A
D 944	FDB 304	ATE 116
D 945	FDB 643	ATE 995
D 946	FDB 418	ATE 996
D 947	FDB 388	ATE 889
D 948	FDB 319	#N/A
D 949	FDB 373	ATE 524
D 950	FDB 407	ATE 1165
D 951	FDB 357	#N/A
D 952	FDB 262	#N/A
D 953	FDB 343	ATE 467
D 954	FDB 340	ATE 606
D 955	FDB 396	ATE 607
D 956	FDB 474	ATE 605
D 957	FDB 303	ATE 474
D 958	FDB 349	#N/A
D 959	FDB 285	ATE 603
D 960	FDB 368	#N/A
D 961	FDB 276	#N/A
D 962	FDB 392	ATE 562
D 963	FDB 301	ATE 604
D 964	FDB 308	ATE 470
D 965	FDB 222	ATE 521
D 966	FDB 296	ATE 475
D 967	FDB 282	ATE 534
D 968	FDB 395	ATE 476
D 969	FDB 482	ATE 492
D 97	FDB 815	ATE 97
D 970	FDB 354	ATE 525
D 971	FDB 256	ATE 469
D 972	FDB 478	ATE 490
D 973	FDB 486	ATE 494
D 974	FDB 618	ATE 495
D 975	FDB 580	#N/A
D 976	FDB 419	ATE 486
D 977	FDB 415	ATE 472

FERODO DISC BRAKE PADS CROSS REFERENCE

ALTERNATE No.

FERODO

ATE

D 978	FDB 979	ATE 473
D 979	FDB 517	ATE 533
D 980	FDB 306	ATE 661
D 981	FDB 526	ATE 493
D 982	FDB 373	#N/A
D 983	FDB 1026	ATE 535
D 984	FDB 413	ATE 558
D 985	FDB 544	#N/A
D 986	FDB 116	#N/A
D 987	FDB 398	ATE 539
D 988	FDB 300	ATE 563
D 989	FDB 598	ATE 540
D 99	FDB 13	#N/A
D 990	FDB 678	ATE 578
D 991	FDB 633	ATE 569
D 992	FDB 351	ATE 573
D 993	FDB 779	ATE 532
D 994	FDB 370	ATE 574
D 995	FDB 409	ATE 575
D 996	FDB 652	ATE 576
D 997	FDB 797	ATE 577
D 998	FDB 795	ATE 590
D 999	FDB 584	ATE 570

ATE DISC BRAKE PADS CROSS REFERENCE

ATE	FERODO	ALTERNATE No.
ATE 101	FDB 3	D 101
ATE 101/1	FDB 162	D 293
ATE 102	FDB 2	D 102
ATE 103	FDB 809	D 103
ATE 105	FD 535	D 105
ATE 112	FDB 11	D 112
ATE 116	FDB 304	D 944
ATE 1165	FDB 407	D 950
ATE 117	FDB 304	D 944
ATE 145	FDB 46	D 145
ATE 152	FDB 34	D 152
ATE 152/1	FDB 163	D 292
ATE 155	FDB 39	D 155
ATE 160	FDB 62	D 160
ATE 171	FDB 1965	-
ATE 174	FD 558	D 174/1
ATE 182	FVR 829	D 182
ATE 183	FDB 830	D 183
ATE 187	PDB 6	D 187
ATE 188	FDB 83	D 188
ATE 190	FD 559	D 190
ATE 195	FDB 84	D 195
ATE 198/1	FDB 143	D 254
ATE 199	FDB 105	D 199
ATE 200	FDB 128	D 200
ATE 230	FDB 91	D 230
ATE 240	FDB 123	D 240
ATE 247	FDB 170	D 247
ATE 252	FDB 288	D 252
ATE 261	FDB 234	D 261
ATE 262	FDB 153	D 262
ATE 277	FDB 258	D 277
ATE 282	FDB 186	D 282
ATE 286	FDB 215	D 286
ATE 297	FDB 173	D 297
ATE 303	FDB 208	D 303
ATE 311	FDB 243	D 311
ATE 319	FDB 374	D 312/1
ATE 327	FDB 206	D 327
ATE 334	FDB 259	D 334
ATE 343	FDB 284	D 343
ATE 347	FDB 295	D 347
ATE 463	FDB 229	D 277/1
ATE 465	FDB 1817	D 3551
ATE 467	FDB 343	D 953
ATE 468	FDB 1816	-
ATE 469	FDB 256	D 971
ATE 470	FDB 308	D 964
ATE 472	FDB 415	D 977

ATE DISC BRAKE PADS CROSS REFERENCE

ATE	FERODO	ALTERNATE No.
ATE 473	FDB 979	D 978
ATE 474	FDB 303	D 957
ATE 475	FDB 296	D 966
ATE 476	FDB 395	D 968
ATE 486	FDB 419	D 976
ATE 488	FDB 580	D 975
ATE 490	FDB 478	D 972
ATE 492	FDB 482	D 969
ATE 493	FDB 526	D 981
ATE 494	FDB 486	D 973
ATE 495	FDB 618	D 974
ATE 510	FDB 836	D 3051
ATE 511	FDB 1829	D 3528
ATE 518	FDB 1860	D 3479
ATE 519	FDB 554	D 3522
ATE 520	FDB 1900	-
ATE 521	FDB 222	D 965
ATE 523	FDB 473	D 3077
ATE 524	FDB 373	D 982
ATE 525	FDB 354	D 970
ATE 528	PD 1094	D 3550
ATE 532	FDB 779	D 993
ATE 533	FDB 517	D 979
ATE 534	FDB 282	D 967
ATE 535	FDB 1026	D 983
ATE 537	FDB 579	D 3015
ATE 537	FDB 579/1	D 3015
ATE 538	FDB 1301	D 3205
ATE 539	FDB 398	D 987
ATE 540	FDB 598	D 989
ATE 544	FDB 1421	-
ATE 558	FDB 413	D 984
ATE 561	FDB 1083	D 3177
ATE 562	FDB 392	D 962
ATE 563	FDB 300	D 988
ATE 566	FDB 472	D 3002
ATE 566	FDB 621	D 3020
ATE 569	FDB 633	D 991
ATE 570	FDB 584	D 999
ATE 571	FDB 586	D 3001
ATE 572	FDB 279	D 3004
ATE 573	FDB 351	D 992
ATE 574	FDB 370	D 994
ATE 575	FDB 409	D 995
ATE 576	FDB 652	D 996
ATE 577	FDB 797	D 997
ATE 578	FDB 678	D 990
ATE 579	FCV 501	D 3014
ATE 584	FDB 755	D 3005

ATE DISC BRAKE PADS CROSS REFERENCE

ATE

FERODO

ALTERNATE No.

ATE 585	FDB 563	D 3041
ATE 588	FDB 756	D 3006
ATE 589	FDB 600	D 3007
ATE 590	FDB 795	D 3008
ATE 591	FDB 986	D 3067
ATE 592	FDB 946	D 3027
ATE 593	FDB 725	D 3009
ATE 595	FDB 757	D 3003
ATE 598	FDB 763	D 3013
ATE 599	FDB 867	D 3030
ATE 603	FDB 285	D 959
ATE 604	FDB 301	D 963
ATE 605	FDB 474	D 956
ATE 606	FDB 340	D 954
ATE 607	FDB 396	D 955
ATE 610	FDB 788	D3010
ATE 611	FDB 796	D 3011
ATE 612	FDB 748	D 3019
ATE 613	FDB 777	D 3024
ATE 614	FDB 776	D 3022
ATE 615	FDB 804	D 3070
ATE 616	FDB 590	D 3025
ATE 617	FDB 586	D 3001
ATE 619	FDB 868	D 3028
ATE 622	FDB 966	D 3069
ATE 623	FDB 965	D 3068
ATE 624	FDB 653	D 3031
ATE 625	FDB 848	D 3029
ATE 626	FDB 871	D 4082
ATE 627	FDB 870	D 3034
ATE 627	FDB 950	D 3034
ATE 628	FDB 869	D 3033
ATE 629	FDB 520	D 3054
ATE 633	FDB 778	D 3023
ATE 635	FDB 841	D 3053
ATE 636	FDB 471	D 3055
ATE 638	FCV 239	D 3066
ATE 643	FDB 799	D 3064
ATE 647	FDB 774	D 3045
ATE 650	FDB 435	D 3047
ATE 661	FDB 306	D 980
ATE 663	FDB 681	D 4052
ATE 663	FDB 681	D 4021
ATE 664	FDB 765	D 3072
ATE 665	FDB 951	D 3044
ATE 666	FDB 712	D 3346
ATE 667	FDB 854	D 3060
ATE 668	FDB 1156	D 3124
ATE 669	FDB 1157	D 3125

ATE DISC BRAKE PADS CROSS REFERENCE

ATE

FERODO

ALTERNATE No.

ATE 670	FDB 1015	D 3089
ATE 671	FDB 556	D 3071
ATE 679	FDB 617	D 4035
ATE 680	FDB 600	D 3082
ATE 680	FDB 600	D 3087
ATE 681	FDB 638	D 3092
ATE 682	FDB 714	D 3091
ATE 683	FDB 1012	D 3094
ATE 685	FDB 789	D 4011
ATE 686	FDB 790	D 4012
ATE 689	FDB 1021	D 3073
ATE 691	FDB 444	D 3098
ATE 692	FDB 901	D 3347
ATE 694	FDB 1607	D 3095
ATE 695	FDB 173	D 3080
ATE 696	FDB 1369	D 3133
ATE 697	FDB 1049	D 3102
ATE 701	FDB 540	D 3328
ATE 701	FDB 999	D 3104
ATE 702	FDB 558	D 3183
ATE 704	FDB 406	D 3110
ATE 705	FDB 878	D 3109
ATE 716	FDB 1337	D 3198
ATE 717	FDB 1084	D 3140
ATE 721	-	D 3138
ATE 724	FDB 1089	D 3125
ATE 728	FDB 904	D 3075
ATE 729	FDB 956	D 3076
ATE 733	FDB 1017	D 3090
ATE 739	FDB 1054	D 3105
ATE 740	FDB 1288	D 3106
ATE 744	FDB 969	D 3201
ATE 745	FDB 589	D 3117
ATE 746	FDB 872	D 3115
ATE 747	FDB 905	D 3136
ATE 749	FDB 845	D 3214
ATE 751	FDB 1267	D 3160
ATE 753	FDB 1098	D 3131
ATE 757	FDB 1014	D 3088
ATE 760	FDB 1565	D 3368
ATE 761	FDB 1310	D 3155
ATE 761	FDB 1310	D 3317
ATE 762	FVR 1038	D 3163
ATE 764	FVR 1045	D 3164
ATE 765	FDB 1291	D 3188
ATE 766	FDB 980	D 3143
ATE 767	FDB 981	D 3144
ATE 770	FDB 884	D 3120
ATE 771	FDB 974	D 3162

ATE DISC BRAKE PADS CROSS REFERENCE

ATE

FERODO

ALTERNATE No.

ATE 772	FDB 1009	D 3276
ATE 776	FDB 766	D 3121
ATE 778	FDB 1025	D 3173
ATE 781	FDB 1105	D 3165
ATE 787	FVR 970	D 3206
ATE 788	FVR 1132	D 3207
ATE 789	MX 670	D 3095
ATE 794	FDB 985	D 4040
ATE 802	FDB 767	D 3099
ATE 808	FDB 1063	D 3141
ATE 817	FDB 1094	D 3179
ATE 817	FDB 1094	D 3199
ATE 818	FDB 1093	D 4046
ATE 819	FDB 1095	D 4045
ATE 820	FDB 896	D 3208
ATE 822	FDB 1398	D 3295
ATE 824	FDB 604	D 3338
ATE 825	FDB 1096	D 3181
ATE 826	FDB 707	D 3182
ATE 827	-	D 3161
ATE 832	FDB 1376	D 3209
ATE 833	FDB 1311	D 3319
ATE 834	FDB 1293	D 3298
ATE 835	FDB 1295	D 3299
ATE 836	FDB 1294	D 3300
ATE 84	FDB 885	D 84
ATE 841	FDB 1322	D 3321
ATE 842	FDB 1318	D 3239
ATE 845	FDB 1429	D 3431
ATE 846	FDB 1303	D 3315
ATE 847	FDB 1782	-
ATE 854	FDB 1463	D 3309
ATE 855	FVR 1315	D 3380
ATE 856	FVR 1043	D 3156
ATE 857	FDB 1455	D 3279
ATE 858	FDB 1465	D 3304
ATE 859	FDB 1384	D 3329
ATE 861	FDB 1424	D 3459
ATE 862	FDB 1573	D 3373
ATE 863	FDB 1574	D 3374
ATE 864	FDB 1323	D 3390
ATE 865	FDB 1451	D 3389
ATE 867	FDB 1483	D 3312
ATE 868	FDB 1319	D 3240
ATE 869	FDB 1326	D 3203
ATE 871	FDB 1476	D 3410
ATE 873	FDB 1370	D 3307
ATE 874	FDB 1135	D 3174
ATE 876	FDB 1411	D 3351

ATE DISC BRAKE PADS CROSS REFERENCE

ATE	FERODO	ALTERNATE No.
ATE 877	FDB 1412	D 3353
ATE 878	FDB 644	D 3271
ATE 879	FDB 880	D 3113
ATE 880	FDB 1124	D 3180
ATE 881	FDB 1137	D 3168
ATE 882	FDB 1052	D 3194
ATE 883	FDB 1349	D 3079
ATE 884	FDB 1441	D 3405
ATE 885	FDB 1541	D 3407
ATE 887	FDB 1544	D 3458
ATE 889	FDB 388	D 947
ATE 890	FDB 1416	-
ATE 891	FDB 1376	
ATE 892		
ATE 893	FDB 912	
ATE 894	FDB 1052	D 3194
ATE 895	FDB 997	D 4041
ATE 896	FDB 1491	
ATE 899	FDB 1425	
ATE 900	FDB 1528	D 3446
ATE 901	FDB 1395	D 3447
ATE 902	FVR 1497	-
ATE 903	FDB 1482	D 3200
ATE 904	FDB 1382	D 3285
ATE 905	FDB 1383	D 3286
ATE 906	FDB 1420	D 3403
ATE 907	FDB 1400	D 3196
ATE 908	FDB 1401	D 3197
ATE 909	FDB 1426	D 3434
ATE 910	FDB 1512	D 3435
ATE 911	FDB 1467	
ATE 912	FDB 1312	D 3176
ATE 913	FDB 1289	D 3175
ATE 914	FDB 1394	D 3455
ATE 915	FDB 1263	D 3419
ATE 916	FDB 1693	D 3420
ATE 917	FDB 1542	D 3456
ATE 924	FDB 1595	D 3357
ATE 926	FDB 1399	D 3444
ATE 927	FDB 1514	D 3398
ATE 930	FDB 1675	
ATE 931	FDB1619	
ATE 933	FDB1499	D 3377
ATE 934	FDB 1676	D 3378
ATE 936	FDB 1594	D 3454
ATE 97	FDB 815	D 97
ATE 995	FDB 643	D 945
ATE 996	FDB 418	D 946

FERODO DISC BRAKE PADS CROSS REFERENCE

FERODO

ALTERNATE No.

ATE

FCP 1327S	D 3169	#N/A
FCV 1043	D 3156	ATE 856
FCV 1102	D 3126	#N/A
FCV 1350	D 3437	#N/A
FCV 1351	D 3422	#N/A
FCV 1390	D 3438	#N/A
FCV 1583B	D 3257	#N/A
FCV 239	D 3066	ATE 638
FCV 501	D 3014	ATE 579
FCV 501	D 3242	ATE 579
FCV 523	D 3260	#N/A
FCV 852	D 3256	#N/A
FD 25L	D 72	#N/A
FD 29L	D 117	#N/A
FD 35L	D 116	#N/A
FD 44L	D 158	#N/A
FD 525	D 81	#N/A
FD 531	D 83	#N/A
FD 535	D 105	ATE 105
FD 539	D 129	#N/A
FD 541	D 138	#N/A
FD 545	D 118	#N/A
FD 547	D 139	#N/A
FD 555	D 166	#N/A
FD 558	D 174/1	ATE 174
FD 559	D 190	ATE 190
FD 710	D 91	#N/A
FD 715	D 171	#N/A
FDB 10	D 51	
FDB 1000	D 4036	#N/A
FDB 1001	D 4042	#N/A
FDB 1003	D 4037	#N/A
FDB 1009	D 3276	ATE 772
FDB 101	D 238	#N/A
FDB 1012	D 3094	ATE 683
FDB 1014	D 3088	ATE 757
FDB 1015	D 3089	ATE 670
FDB 1016	D 3085	#N/A
FDB 1017	D 3090	ATE 733
FDB 102	D 239	#N/A
FDB 1020	D 3337	#N/A
FDB 1021	D 3073	ATE 689
FDB 1024	D 4023	#N/A
FDB 1025	D 3173	ATE 778
FDB 1026	D 983	ATE 535
FDB 1029	D 3421	#N/A
FDB 1037	D 3323	#N/A
FDB 1045	D 3164	#N/A
FDB 1049	D 3102	ATE 697

FERODO DISC BRAKE PADS CROSS REFERENCE

FERODO

ALTERNATE No.

ATE

FDB 1049	D 3278	ATE 697
FDB 105	D 199	ATE 199
FDB 1050	D 3305	#N/A
FDB 1050	D 3322	#N/A
FDB 1050	D 3431	#N/A
FDB 1051	D 3157	#N/A
FDB 1052	D 3194	ATE 882
FDB 1052	D 3217	ATE 882
FDB 1054	D 3105	ATE 739
FDB 1055	D 3184	#N/A
FDB 1063	D 3141	ATE 808
FDB 1071	D 3272	#N/A
FDB 1073	D 3081	#N/A
FDB 1075	D 3345	#N/A
FDB 1083	D 3177	ATE 561
FDB 1083	D 3200	ATE 561
FDB 1083	D 3289	ATE 561
FDB 1084	D 3140	ATE 717
FDB 1085	D 3280	#N/A
FDB 1093	D 4046	ATE 818
FDB 1094	D 3179	ATE 817
FDB 1094	D 3199	ATE 817
FDB 1095	D 4045	ATE 819
FDB 1096	D 3181	ATE 825
FDB 1097	D 3128	#N/A
FDB 1098	D 3131	ATE 753
FDB 1099	D 3129	#N/A
FDB 1099	D 3130	#N/A
FDB 1099	D 3291	#N/A
FDB 1099	D 3331	#N/A
FDB 11	D 112	ATE 112
FDB 1104	D 3166	#N/A
FDB 1112	D 3411	#N/A
FDB 1113	D 3218	#N/A
FDB 1115	D 3409	#N/A
FDB 1117	D 3123	#N/A
FDB 1124	D 3180	ATE 880
FDB 1125	D 3151	#N/A
FDB 1130	D 3283	#N/A
FDB 1132	D 3207	ATE 788
FDB 1135	D 3174	ATE 874
FDB 1137	D 3168	ATE 881
FDB 114	D 201	#N/A
FDB 114	D 3114	#N/A
FDB 1156	D 3124	ATE 668
FDB 1156	D 3400	ATE 668
FDB 1157	D 3125	ATE 669
FDB 116	D 986	#N/A
FDB 1163	D 3284	#N/A

FERODO DISC BRAKE PADS CROSS REFERENCE

FERODO

ALTERNATE No.

ATE

FDB 1167	D 3388	#N/A
FDB 1168	D 3412	#N/A
FDB 1169	D 4047	#N/A
FDB 12	D 100	#N/A
FDB 123	D 240	ATE 240
FDB 1263	D 3419	ATE 915
FDB 1264	D 3227	#N/A
FDB 1265	D 3226	#N/A
FDB 1267	D 3160	ATE 751
FDB 1267	D 3161	ATE 751
FDB 1278	D 3404	#N/A
FDB 128	D 200	ATE 200
FDB 1288	D 3106	ATE 740
FDB 1289	D 3175	ATE 913
FDB 1291	D 3324	ATE 765
FDB 1291	D 3188	ATE 765
FDB 1293	D 3298	ATE 834
FDB 1294	D 3300	ATE 836
FDB 1295	D 3299	ATE 835
FDB 1297	D 3310	#N/A
FDB 13	D 99	#N/A
FDB 130	D 235	#N/A
FDB 1300	D 3204	#N/A
FDB 1301	D 3205	ATE 538
FDB 1303	D 3315	ATE 846
FDB 1304	D 3232	#N/A
FDB 1304	D 3336	#N/A
FDB 1307	D 4043	#N/A
FDB 1308	D 4044	#N/A
FDB 1310	D 3155	ATE 761
FDB 1310	D 3317	ATE 761
FDB 1311	D 3319	ATE 833
FDB 1312	D 3176	ATE 912
FDB 1318	D 3239	ATE 842
FDB 1319	D 3240	ATE 868
FDB 1319	D 3598	ATE 868
FDB 1320	D 3078	#N/A
FDB 1322	D 3321	ATE 841
FDB 1323	D 3390	ATE 864
FDB 1326	D 3203	ATE 869
FDB 1334	D 3263	#N/A
FDB 1336	D 3134	#N/A
FDB 1337	D 3198	ATE 716
FDB 1349	D 3079	ATE 883
FDB 1355	D 3402	#N/A
FDB 1369	D 3133	ATE 696
FDB 1369	D 3571	ATE 696
FDB 1370	D 3301	ATE 895
FDB 1370	D 3307	ATE 873

FERODO DISC BRAKE PADS CROSS REFERENCE

FERODO

ALTERNATE No.

ATE

FDB 1376	D 3209	ATE 832
FDB 1376	D 3529	ATE 832
FDB 1379	D 3282	#N/A
FDB 1382	D 3285	ATE 904
FDB 1383	D 3286	ATE 905
FDB 1384	D 3329	ATE 859
FDB 1392	D 3396	#N/A
FDB 1394	D 3455	ATE 914
FDB 1395	D 3447	ATE 901
FDB 1398	D 3295	ATE 822
FDB 1399	D 3444	ATE 926
FDB 1399	D 3451	ATE 926
FDB 14	D 66	
FDB 1400	D 3196	ATE 907
FDB 1401	D 3197	ATE 908
FDB 1407	D 3391	#N/A
FDB 1411	D 3351	ATE 876
FDB 1412	D 3353	ATE 877
FDB 1413	D 3352	#N/A
FDB 1414	D 3432	#N/A
FDB 1415	D 3142	#N/A
FDB 142	D 268	#N/A
FDB 1420	D 3403	ATE 906
FDB 1421	D 3579	
FDB 1422	D 3266	#N/A
FDB 1424	D 3445	ATE 861
FDB 1426	D 3434	ATE 909
FDB 1427	D 3436	#N/A
FDB 1428	D 3430	#N/A
FDB 1429	D 3508	ATE 845
FDB 143	D 254	ATE 198/1
FDB 1437	D 3369	#N/A
FDB 1437	D 3371	#N/A
FDB 144	D 421	#N/A
FDB 1441	D 3405	ATE 884
FDB 1444	D 3441	#N/A
FDB 1452	D 3559	#N/A
FDB 1453	D 3568	#N/A
FDB 1455	D 3279	ATE 857
FDB 1463	D 3309	ATE 854
FDB 1465	D 3304	ATE 858
FDB 1473	D 3361	#N/A
FDB 1474	D 3379	#N/A
FDB 1475	D 3148	#N/A
FDB 1475	D 3427	#N/A
FDB 1476	D 3410	ATE 871
FDB 1480	D 3665	#N/A
FDB 1483	D 3312	ATE 867
FDB 1485	D 3325	#N/A

FERODO DISC BRAKE PADS CROSS REFERENCE

FERODO

ALTERNATE No.

ATE

FDB 1486	D 3314	#N/A
FDB 149	D 260	#N/A
FDB 1493	D 3473	#N/A
FDB 1494	D 3494	#N/A
FDB 1499	D 3377	ATE 933
FDB 1501	D 3424	#N/A
FDB 1501	D 3499	#N/A
FDB 1501	D 3499	#N/A
FDB 1508	D 3387	#N/A
FDB 1509	D 3425	#N/A
FDB 1510	D 3426	#N/A
FDB 1512	D 3435	ATE 910
FDB 1514	D 3398	ATE 927
FDB 1521	D 3418	#N/A
FDB 1523	D 3116	#N/A
FDB 1526	D 3433	#N/A
FDB 1528	D 3446	ATE 900
FDB 1528	D 3485	ATE 900
FDB 153	D 262	ATE 262
FDB 1531	D 3399	#N/A
FDB 1532	D 3520	#N/A
FDB 1534	D 3086	#N/A
FDB 1535	D 3219	#N/A
FDB 1535	D 3221	#N/A
FDB 1535	D 3417	#N/A
FDB 1536	D 3356	#N/A
FDB 154	D 263	#N/A
FDB 1540	D 3406	#N/A
FDB 1541	D 3407	ATE 885
FDB 1542	D 3456	ATE 917
FDB 1543	D 3457	#N/A
FDB 1544	D 3458	ATE 887
FDB 1554	D 3211	#N/A
FDB 1557	D 3519	#N/A
FDB 1558	D 3318	#N/A
FDB 1564	D 3212	#N/A
FDB 1564	D 3375	#N/A
FDB 1565	D 3367	ATE 760
FDB 1565	D 3368	ATE 760
FDB 1568	D 3597	#N/A
FDB 1569	D 3152	#N/A
FDB 1573	D 3373	ATE 862
FDB 1574	D 3374	ATE 863
FDB 1577	D 3382	#N/A
FDB 1577	D 3384	#N/A
FDB 1594	D 3454	ATE 936
FDB 1595	D 3357	ATE 924
FDB 1596	D 3364	#N/A
FDB 1600	D 3362	#N/A

FERODO DISC BRAKE PADS CROSS REFERENCE

FERODO

ALTERNATE No.

ATE

FDB 1602	D 3359	#N/A
FDB 1603	D 3365	#N/A
FDB 1604	D 3366	#N/A
FDB 1605	D 3439	#N/A
FDB 1606	D 3440	#N/A
FDB 161	D 294	#N/A
FDB 1610	D 3333	#N/A
FDB 1610	D 3376	#N/A
FDB 1612	D 3341	#N/A
FDB 1617	D 3465	#N/A
FDB 162	D 293	ATE 101/1
FDB 1621	D 3703	#N/A
FDB 1628	D 3392	#N/A
FDB 1628	D 3394	#N/A
FDB 1628	D 3545	#N/A
FDB 163	D 292	ATE 152/1
FDB 1636	D 3483	#N/A
FDB 164	D 298	#N/A
FDB 164	D 4032	#N/A
FDB 1640	D 3484	#N/A
FDB 1641	D 3553	#N/A
FDB 1646	D 3165	#N/A
FDB 1648	D 3567	#N/A
FDB 165	D 4004	#N/A
FDB 1652	D 3622	#N/A
FDB 1672	D 3395	#N/A
FDB 1673	D 3393	#N/A
FDB 1676	D 3378	ATE 934
FDB 1679	D 3745	#N/A
FDB 1684	D 3213	#N/A
FDB 1686	D 3370	#N/A
FDB 1686	D 3372	#N/A
FDB 169	D 348/270	#N/A
FDB 1693	D 3420	ATE 916
FDB 1698	D 3554	#N/A
FDB 170	D 247	ATE 247
FDB 1704	D 3578	#N/A
FDB 1707	D 3452	#N/A
FDB 1728	D 3492	#N/A
FDB 173	D 297	ATE 297
FDB 1733	D 3548	#N/A
FDB 1745	D 3550	ATE 528
FDB 1747	D 3542	#N/A
FDB 1751	D 3541	#N/A
FDB 1754	D 3363	#N/A
FDB 176	D 274	#N/A
FDB 1773	D 3555	#N/A
FDB 1806	D 3595	#N/A
FDB 1816	D 3502	ATE 468

FERODO DISC BRAKE PADS CROSS REFERENCE

FERODO

ALTERNATE No.

ATE

FDB 1817	D 3551	ATE 465
FDB 1829	D 3576	ATE 511
FDB 1852	D 3552	#N/A
FDB 186	D 282	ATE 282
FDB 1860	D 3479	ATE 518
FDB 1881	D 3577	#N/A
FDB 192	D 299	#N/A
FDB 1936	D 3754	#N/A
FDB 1942	D 3580	#N/A
FDB 1943	D 3581	#N/A
FDB 195	D 3050	#N/A
FDB 1950	D 3462	#N/A
FDB 1955	D 3556	#N/A
FDB 1965	D 3573	ATE 171
FDB 2	D 102	ATE 102
FDB 2	D 141	ATE 102
FDB 20	D 120	#N/A
FDB 206	D 327	ATE 327
FDB 208	D 303	ATE 303
FDB 209	D 300	#N/A
FDB 21	D 122	#N/A
FDB 210	D 3167	#N/A
FDB 212	D 327/1	#N/A
FDB 215	D 286	ATE 286
FDB 22	D 123	#N/A
FDB 222	D 965	ATE 521
FDB 222	D 3320	ATE 521
FDB 222	D 4030	ATE 521
FDB 225	D 312	#N/A
FDB 228	D 287	#N/A
FDB 229	D 277/1	ATE 463
FDB 23	D 125	#N/A
FDB 234	D 261	ATE 261
FDB 24	D 130	#N/A
FDB 241	D 320	#N/A
FDB 242	D 339	#N/A
FDB 243	D 311	ATE 311
FDB 256	D 971	ATE 469
FDB 258	D 277	ATE 277
FDB 259	D 334	ATE 334
FDB 262	D 952	#N/A
FDB 265	D 3229	#N/A
FDB 271	D 943	#N/A
FDB 276	D 961	#N/A
FDB 279	D 3004	ATE 572
FDB 28	D 124	#N/A
FDB 282	D 967	ATE 534
FDB 284	D 343	ATE 343
FDB 285	D 959	ATE 603

FERODO DISC BRAKE PADS CROSS REFERENCE

FERODO

ALTERNATE No.

ATE

FDB 286	D 174/2	#N/A
FDB 287	D 3096	#N/A
FDB 288	D 252	ATE 252
FDB 29	D 134	#N/A
FDB 290	D 3230	#N/A
FDB 293	D 346	#N/A
FDB 295	D 347	ATE 347
FDB 296	D 966	ATE 475
FDB 3	D 101	ATE 101
FDB 3	D 111	ATE 101
FDB 300	D 988	ATE 563
FDB 301	D 963	ATE 604
FDB 303	D 957	ATE 474
FDB 304	D 944	ATE 116
FDB 306	D 980	ATE 661
FDB 308	D 964	ATE 470
FDB 319	D 948	#N/A
FDB 33	D 126	#N/A
FDB 330	D 4001	#N/A
FDB 34	D 152	ATE 152
FDB 340	D 954	ATE 606
FDB 342	D 89	#N/A
FDB 343	D 953	ATE 467
FDB 349	D 958	#N/A
FDB 35	D 153	#N/A
FDB 350	D 4027	#N/A
FDB 351	D 992	ATE 573
FDB 354	D 970	ATE 525
FDB 357	D 951	#N/A
FDB 36	D 144	#N/A
FDB 368	D 960	#N/A
FDB 370	D 994	ATE 574
FDB 372	D 3453	#N/A
FDB 373	D 949	ATE 524
FDB 373	D 982	#N/A
FDB 374	D 312/1	ATE 319
FDB 388	D 947	ATE 889
FDB 39	D 155	ATE 155
FDB 392	D 962	ATE 562
FDB 393	D 3228	#N/A
FDB 395	D 968	ATE 476
FDB 396	D 955	ATE 607
FDB 398	D 987	ATE 539
FDB 40	D 148	#N/A
FDB 406	D 3110	ATE 704
FDB 407	D 950	ATE 1165
FDB 409	D 995	ATE 575
FDB 409	D 4029	ATE 575
FDB 413	D 984	ATE 558

FERODO DISC BRAKE PADS CROSS REFERENCE

FERODO

ALTERNATE No.

ATE

FDB 415	D 977	ATE 472
FDB 418	D 946	ATE 996
FDB 419	D 976	ATE 486
FDB 42	D 149	#N/A
FDB 43	D 150	#N/A
FDB 435	D 3047	ATE 650
FDB 435	D 3449	ATE 650
FDB 444	D 3098	ATE 691
FDB 451	D 4002	#N/A
FDB 458	D 4019	#N/A
FDB 46	D 145	ATE 145
FDB 468	D 4007	#N/A
FDB 469	D 4008	#N/A
FDB 470	D 3268	#N/A
FDB 470	D 3397	#N/A
FDB 471	D 3055	ATE 636
FDB 472	D 3002	ATE 566
FDB 473	D 3077	ATE 523
FDB 474	D 956	ATE 605
FDB 476	D 3038	#N/A
FDB 477	D 3039	#N/A
FDB 478	D 972	ATE 490
FDB 482	D 969	ATE 492
FDB 484	D 3269	#N/A
FDB 486	D 973	ATE 494
FDB 486	D 3335	ATE 494
FDB 489	D 4049	#N/A
FDB 506	D 3146	#N/A
FDB 517	D 979	ATE 533
FDB 520	D 3054	ATE 629
FDB 522	D 3381	#N/A
FDB 525	D 3036	#N/A
FDB 526	D 981	ATE 493
FDB 530	D 3021	#N/A
FDB 54	D 142	#N/A
FDB 540	D 3104	ATE 701
FDB 542	D 4031	#N/A
FDB 544	D 985	#N/A
FDB 554Q	D 3522	#N/A
FDB 556	D 3071	ATE 671
FDB 558	D 3183	ATE 702
FDB 56	D 163	#N/A
FDB 560	D 4003	#N/A
FDB 563	D 3041/3042	ATE 585
FDB 565	D 4018	#N/A
FDB 576	D 3032	#N/A
FDB 577	D 3043	#N/A
FDB 577	D 4051	#N/A
FDB 578	D 3016	#N/A

FERODO DISC BRAKE PADS CROSS REFERENCE

FERODO

ALTERNATE No.

ATE

FDB 579	D 3015	ATE 537
FDB 580	D 975	#N/A
FDB 584	D 999	ATE 570
FDB 586	D 3001	ATE 571
FDB 588	D 3549	#N/A
FDB 589	D 3117	ATE 745
FDB 590	D 3025	ATE 616
FDB 596	D 4026	#N/A
FDB 597	D 3153	#N/A
FDB 598	D 989	ATE 540
FDB 600	D 3046	ATE 589
FDB 600	D 3082	ATE 589
FDB 600	D 3087	ATE 589
FDB 604	D 3338	ATE 824
FDB 617	D 4035	ATE 679
FDB 618	D 974	ATE 495
FDB 619	D 3107	#N/A
FDB 619	D 3327	#N/A
FDB 62	D 160	ATE 160
FDB 621	D 3020	ATE 566
FDB 622	D 3270	#N/A
FDB 623	D 3273	#N/A
FDB 629	D 3057	#N/A
FDB 632	D 4017	#N/A
FDB 633	D 991	ATE 569
FDB 638	D 3092	ATE 681
FDB 643	D 945	ATE 995
FDB 644	D 3271	ATE 878
FDB 645	D 3058	#N/A
FDB 646	D 3059	#N/A
FDB 647	D 4028	#N/A
FDB 651	D 4013	#N/A
FDB 652	D 996	ATE 576
FDB 653	D 3031	ATE 624
FDB 654	D 3074	#N/A
FDB 655	D 3190	#N/A
FDB 669	D 3056	#N/A
FDB 670	D 3145	#N/A
FDB 676	D 4024	#N/A
FDB 678	D 990	ATE 578
FDB 679	D 3049	#N/A
FDB 68	D 185	#N/A
FDB 681	D 4021	ATE 663
FDB 681	D 4052	ATE 663
FDB 686	D 3413	#N/A
FDB 686	D 3415	#N/A
FDB 69	D 179	#N/A
FDB 692	D 3007	#N/A
FDB 693	D 3061	#N/A

FERODO DISC BRAKE PADS CROSS REFERENCE

FERODO

ALTERNATE No.

ATE

FDB 693	D 3103	#N/A
FDB 704	D 4053	#N/A
FDB 707	D 3182	ATE 826
FDB 71	D 164	#N/A
FDB 712	D 3346	ATE 666
FDB 714	D 3091	ATE 682
FDB 715	D 3358	#N/A
FDB 716	D 3048	#N/A
FDB 72	D 163	#N/A
FDB 725	D 3009	ATE 593
FDB 727	D 4015	#N/A
FDB 732	D 3100	#N/A
FDB 732	D 3294	#N/A
FDB 732	D 4048	#N/A
FDB 746	D 3326	#N/A
FDB 748	D 3019	ATE 612
FDB 749	D 3423	#N/A
FDB 755	D 3005	ATE 584
FDB 756	D 3006	ATE 588
FDB 757	D 3003	ATE 595
FDB 759	D 3135	#N/A
FDB 759	D 3450	#N/A
FDB 761	D 3138	ATE 721
FDB 763	D 3013	ATE 598
FDB 765	D 3072	ATE 664
FDB 766	D 3121	ATE 776
FDB 767	D 3099	ATE 802
FDB 768	D 4014	#N/A
FDB 77	D 159	#N/A
FDB 774	D 3045	ATE 647
FDB 774	D 3178	ATE 647
FDB 776	D 3022	ATE 614
FDB 777	D 3024	ATE 613
FDB 778	D 3023	ATE 633
FDB 778	D 3139	ATE 633
FDB 779	D 993	ATE 532
FDB 788	D 3010	ATE 610
FDB 789	D 4011	ATE 685
FDB 790	D 4012	ATE 686
FDB 795	D 998	ATE 590
FDB 795	D 3008	ATE 590
FDB 796	D 3011	ATE 611
FDB 797	D 997	ATE 577
FDB 797	D 3189	ATE 577
FDB 797	D 3523	#N/A
FDB 798	D 3063	#N/A
FDB 799	D 3064	ATE 643
FDB 800	D 3062	#N/A
FDB 800	D 3303	#N/A

FERODO DISC BRAKE PADS CROSS REFERENCE

FERODO

ALTERNATE No.

ATE

FDB 804	D 3070	ATE 615
FDB 806	D 4009	#N/A
FDB 807	D 4010	#N/A
FDB 809	D 103	ATE 103
FDB 81	D 180	#N/A
FDB 811	D 103	#N/A
FDB 813	D 143	#N/A
FDB 814	D 165	#N/A
FDB 815	D 97	ATE 97
FDB 817	D 244	#N/A
FDB 822	D 175	#N/A
FDB 823	D 71	#N/A
FDB 825	D 85	#N/A
FDB 826	D 136	#N/A
FDB 829	D 182	#N/A
FDB 83	D 188	ATE 188
FDB 830	D 183	ATE 183
FDB 836	D 3051	ATE 510
FDB 84	D 195	ATE 195
FDB 841	D 3053	ATE 635
FDB 845	D 3112	ATE 749
FDB 845	D 3214	ATE 749
FDB 848	D 3029	ATE 625
FDB 85	D 205	#N/A
FDB 850	D 3012	#N/A
FDB 854	D 3060	ATE 667
FDB 854	D 3316	ATE 668
FDB 855	D 4025	#N/A
FDB 856	D 4005	#N/A
FDB 857	D 4006	#N/A
FDB 86	D 146	#N/A
FDB 86	D 154	#N/A
FDB 867	D 3030/3158	ATE 599
FDB 867	D 3158	ATE 599
FDB 868	D 3028	ATE 619
FDB 869	D 3033	ATE 628
FDB 87	D 184	#N/A
FDB 870	D 3034	ATE 627
FDB 871	D 4082	ATE 626
FDB 872	D 3115	ATE 746
FDB 878	D 3109	ATE 705
FDB 880	D 3113	ATE 879
FDB 884	D 3120	ATE 770
FDB 885	D 84	ATE 84
FDB 890	D 3408	#N/A
FDB 896	D 3208	ATE 820
FDB 9	D 83	#N/A
FDB 901	D 3347	ATE 692
FDB 901	D 4055	ATE 692

FERODO DISC BRAKE PADS CROSS REFERENCE

FERODO

ALTERNATE No.

ATE

FDB 904	D 3075	ATE 728
FDB 905	D 3136	ATE 747
FDB 908	D 52	#N/A
FDB 909	D 3187	#N/A
FDB 91	D 230	ATE 230
FDB 913	D 3122	#N/A
FDB 917	D 3348	#N/A
FDB 92	D 231	#N/A
FDB 928	D 3040	#N/A
FDB 929	D 3118	#N/A
FDB 93	D 232	#N/A
FDB 930	D 3084	#N/A
FDB 930	D 3097	#N/A
FDB 931	D 3186	#N/A
FDB 932	D 3274	#N/A
FDB 937	D 3159	#N/A
FDB 937	D 3383	#N/A
FDB 937	D 3386	#N/A
FDB 938	D 3154	#N/A
FDB 94	D 196	#N/A
FDB 945	D 3037	#N/A
FDB 946	D 3027	ATE 592
FDB 948	D 3275	#N/A
FDB 95	D 198	#N/A
FDB 951	D 3044	ATE 665
FDB 953	D 3343	#N/A
FDB 956	D 3076	ATE 729
FDB 956	D 3442	ATE 730
FDB 965	D 3068	ATE 623
FDB 966	D 3069	ATE 622
FDB 966	D 3340	ATE 622
FDB 967	D 3222	#N/A
FDB 969	D 3201	ATE 744
FDB 970	D 3206	#N/A
FDB 971	D 4020	#N/A
FDB 972	D 3108	#N/A
FDB 973	D 3414	#N/A
FDB 973	D 3416	#N/A
FDB 974	D 3162	ATE 771
FDB 979	D 978	ATE 473
FDB 98	D 189	#N/A
FDB 980	D 3143	ATE 766
FDB 981	D 3144	ATE 767
FDB 982	D 3149	ATE 694
FDB 985	D 4040	ATE 794
FDB 986	D 3067	ATE 591
FDB 986	D 3287	ATE 591
FDB 99	D 228	#N/A
FDB 994	D 4033	#N/A

FERODO DISC BRAKE PADS CROSS REFERENCE

FERODO

ALTERNATE No.

ATE

FDB 994	D 4038	#N/A
FDB 995	D 3195	#N/A
FDB 995	D 4039	#N/A
FDB 997	D 4041	ATE 895
FDB 998	D 3311	#N/A
FDS 1308	D 4044	#N/A
FDS 891	D 4016	#N/A
FFDB 1093	D 3225	#N/A
FRP 203	D 3017	#N/A
FVR 1038	D 3163	ATE 762
FVR 1045	D 3164	ATE 764
FVR 1163	D 3284	#N/A
FVR 1315	D 3380	ATE 855
FVR 1405	D 3385	#N/A
FVR 1778	D 3632	#N/A
FVR 1780	D 3633	#N/A
FVR 968	D 3223	#N/A
MX 154	D 3297	#N/A
MX 666	D 3119	#N/A
MX 670	D 3095	#N/A
MX 726	D 3234	#N/A
MX 772	D 3233	#N/A
MX 791	D 3443	#N/A
MX 841	D 3313	#N/A
PD 773	D 3238	#N/A
PDB 1	D 133	#N/A
PDB 6	D 187	ATE 187

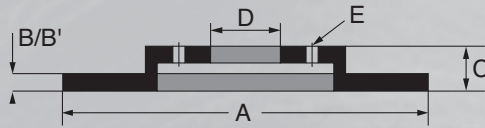
FERODO DISC DIMENSIONS BY DIAMETER

	SOLID/ VENTED	DIAMETER	THICKNESS	MINIMUM THICKNESS	HEIGHT	CENTRE HOLE	No. OF STUD HOLES	No. OF SCREW HOLES
DDF1322-1	S	208	12	10.4	28	70.4	4	
DDF137-1	SH	225.7	10	8	71.8		4	
DDF1350-1	S	226	10	8	71.8	n/a	5	
DDF083-1	S	227.5	10.8	9	45.7	62.05	4	2
DDF808-1	V	229.7	20	19	43.6	74.1	4	
DDF289-1	V	229.9	17	16	45	61.1	4	2
DDF152-1	V	230.9	16.9	15	43.5	61.1	4	2+2
DDF203-1	S	231	12	10	44.15	61.04	4	2+2
DDF929-1	S	231.7	9	7	39.5	65	5	1
DDF116-1	S	235.9	12.6	9.7	40.95	60	6	1
DDF151-1	V	236.3	19.9	17	41	60	6	1
DDF158-1	V	237.8	20.1	17.7	41.15	61	4	2
DDF195-1	V	237.8	18	16	31	75	4	
DDF413-1	V	238	18	17	48	54	4	2
DDF950-1	S	238.7	9	8	47.6	61.1	4	2+2
DDF103-1	S	238.8	11.9	10	35.06	65	4	1
DDF175-1	V	238.8	19.9	18	38.61	65	4	1
DDF208-1	S	238.8	9.9	8	42.5	63.5	4	1
DDF1345-1	S	239.2	11.5	10	34.6	73	4	
DDF183-1	V	239.45	24.15	22.2	58.08	63.54	4	1
DDF1331-1	V	239.45	24.15	22.2	58.08	63.54	5	
DDF447-1	V	239.5	21	19	45	61	4	2+2
DDF766-1	V	239.5	19.9	18	43	63.6	4	1
DDF064-1	S	239.9	12.1	11	35	76	4	
DDF148-1	V	240	20	18.2	46.5	59.015	4	2
DDF227-1	V	240	18	16	45.4	61.1	4	2
DDF1327-1	S	240	10	9	58.3	63.5	4	
DDF1342-1	S	240	12	11	46	62	4	
DDF888-1	V	240.2	20	19	46.7	59	4	
DDF377-1	V	241.8	19	17	44	61	4	2+2
DDF389-1	V	242	19	17.7	40.5	86	4	
DDF1318-1	S	242	13.6	12.6	47.7	55.4	4	
DDF279-1	S	243	13.5	12.5	47.2	54	4	2
DDF407-1	V	243	18	17	47.2	54.1	4	
DDF321-1	S	244.4	10	9	63.9	68.2	5	
DDF830-1	SH	244.8	9.9	8	83.7		5	
DDF342-1	V	250	20	18.5	34.5	75	4	
DDF1320-1	V	250	22	21	30	81	6	
DDF356-1	V	251	18	16.5	33.6	80	6	
DDF523-1	S	251	9	8	35	55	4	
DDF067-1	S	251.4	10.0	9	50.5	59	5	
DDF590-1	V	251.7	20	18	29.1	81	4	
DDF147-1	V	252	20	18.7	26	79	5	
DDF392-1	V	252	20.0	19	45	87	6	
DDF1332-1	V	252	24	22	24	86	6	
DDF1335-1	V	252.2	22	20.6	36	88.2	6	
DDF826-1	V	252.8	20	18.4	28.7	84	5	
DDF281-1	S	253	10	8	33	63.5	4	
DDF702-1	V	254.8	28	26	49	62.03	5	2
DDF1323-1	V	254.9	25	23	41.8	74.1	4	
DDF1343-1	V	255	25	24	49	55	4	
DDF349-1	V	255.3	20	18.4	33.5	84	5	
DDF927-1	V	255.8	22	19	36.7	65	5	1
DDF193-1	V	255.85	21.9	20	46.23	68	4	
DDF206-1	V	255.85	23.9	21	41	60	4	2+1

FERODO DISC DIMENSIONS BY DIAMETER PART NO.

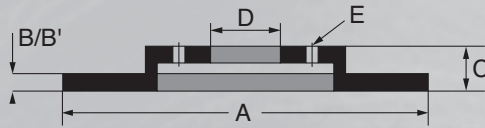
**SOLID/
VENTED**
DIAMETER
THICKNESS
**MINIMUM
THICKNESS**
HEIGHT
**CENTRE
HOLE**
**No. OF
STUD HOLES**
**No. OF
SCREW HOLES**

	SOLID/ VENTED	DIAMETER	THICKNESS	MINIMUM THICKNESS	HEIGHT	CENTRE HOLE	No. OF STUD HOLES	No. OF SCREW HOLES
DDF207-1	V	256	20	18	38.8	65	4	1
DDF357-1	V	256	20	18	20	86	6	
DDF1097-1	V	256	24	22	47	60	6	1
DDF1347-1	V	256.4	22	20	49.4	68.1	4	
DDF416-1	V	257	25	24	47	84	5	
DDF482-1	V	257	22	20	34	86.1	4	
DDF495-1	V	257	22	20	45	55	4	1
DDF1329-1	V	257	20	18.4	37.9	61	5	
DDF385-1	V	257.2	22	20.6	36	88.2	6	
DDF716-1	V	257.2	26	23.9	45.2	61.1	4	2
DDF390-1	V	257.3	22	20	45	69	4	2
DDF674-1	S	257.5	9	8	44.5	68.1	4	2
DDF542-1	SH	257.7	16	13	95.2		5	
DDF093-1	S	257.8	9.9	8.4	60.1	62	4	1
DDF496-1	V	257.8	24	22	48.5	72	5	1
DDF122-1	S	258	8.9	7.3	55.2	67	5	1+1
DDF1317-1	V	258	22.0	20	49	55	4	
DDF1319-1	V	258	22.0	20	49	55	4	
DDF1349-1	S	258	9	7.3	55.5	67	5	
DDF459-1	V	258.1	22	20.4	33.8	84.1	6	
DDF1006-1	V	258.6	20.7	17.7	41	61.01	4	2
DDF182-1	V	259.8	21.9	20.4	35.25	66	4	1
DDF331-1	S	259.8	9.9	8	69.2	57	4	1+1
DDF209-1	V	259.85	24.15	22.8	58.08	63.54	4	1
DDF062-1	S	260	12.6	11.1	35	66	4	1
DDF364-1	V	260	24	22	47	63.5	4	
DDF431-1	V	260	18	16	31	75	4	
DDF1324-1	V	260.2	26	24	37.2	81.1	6	
DDF242-1	SH	260.8	10	8	82.5		4	1
DDF524-1	S	261	10	8	40	72.1	5	
DDF1338-1	V	261.2	24.2	22.2	24.2	86	6	
DDF492-1	V	261.5	21	19	44.7	64.15	4	2+2
DDF1325-1	V	261.7	24	22.2	29	76	4	
DDF053-1	S	261.8	10.9	9	45.5	67	5	2+1
DDF1354-1	V	266.7	22	20	39.1	100.1	6	
DDF602-1	V	271.6	22	20	24.7	93	6	
DDF501-1	V	275	28	26	49.4	62.05	5	2
DDF311-1	V	276	24	22	46.8	68	5	
DDF464-1	V	276.5	26	24	39	100.13	6	
DDF1109-1	V	276.5	24	23	45.3	87	6	
DDF460-1	V	277	22	20.4	45	87.1	6	
DDF071-1	S	277.9	12.6	10.6	63.35	80	5	5
DDF057-1	SH	278	13	11	118.5	n/a	5	
DDF143-1	V	278	22	19.4	68	80	5	5
DDF1351-1	V	278	22	20	66.6	80	5	5
DDF003-1	S	279	9.9	8.3	69.5	67	5	1+1
DDF166-1	V	279.8	22	20.4	78	74	5	1
DDF1328-1	V	279.9	22	21	46.2	68	5	
DDF249-1	S	280	10	8.4	60	75	5	1
DDF332-1	V	280	22	20	28.2	65	5	1
DDF928-1	V	280	22	20	36.4	65.1	5	1+1
DDF1336-1	V	280	24	22	37	88	6	
DDF1341-1	V	280	22	20	49.5	68	5	2
DDF1027-1	V	280.3	24.2	23.2	81.7	72.5	5	
DDF841-1	V	282.7	26	24	28	66.02	4	2



FERODO DISC DIMENSIONS BY PART NUMBER

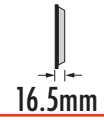
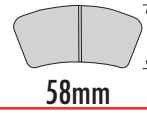
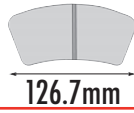
		A	B	B'	C	D	E	
	SOLID/ VENTED	DIAMETER	THICKNESS	MINIMUM THICKNESS	HEIGHT	CENTRE HOLE	No. OF STUD HOLES	No. OF SCREW HOLES
DDF003-1	S	279	9.9	8.3	69.5	67	5	1+1
DDF053-1	S	261.8	10.9	9	45.5	67	5	2+1
DDF057-1	SH	278	13	11	118.5	n/a	5	
DDF062-1	S	260	12.6	11.1	35	66	4	1
DDF064-1	S	239.9	12.1	11	35	76	4	
DDF067-1	S	251.4	10.0	9	50.5	59	5	
DDF071-1	S	277.9	12.6	10.6	63.35	80	5	5
DDF083-1	S	227.5	10.8	9	45.7	62.05	4	2
DDF093-1	S	257.8	9.9	8.4	60.1	62	4	1
DDF103-1	S	238.8	11.9	10	35.06	65	4	1
DDF116-1	S	235.9	12.6	9.7	40.95	60	6	1
DDF122-1	S	258	8.9	7.3	55.2	67	5	1+1
DDF124-1	S	284	12	11	46.2	67	5	2+1
DDF137-1	SH	225.7	10	8	71.8		4	
DDF143-1	V	278	22	19.4	68	80	5	5
DDF147-1	V	252	20	18.7	26	79	5	
DDF148-1	V	240	20	18.2	46.5	59.015	4	2
DDF151-1	V	236.3	19.9	17	41	60	6	1
DDF152-1	V	230.9	16.9	15	43.5	61.1	4	2+2
DDF156-1	V	284	22.0	20.2	43.5	59	5	
DDF158-1	V	237.8	20.1	17.7	41.15	61	4	2
DDF166-1	V	279.8	22	20.4	78	74	5	1
DDF175-1	V	238.8	19.9	18	38.61	65	4	1
DDF181-1	V	283.9	21.9	19.4	43.5	67	5	2+1
DDF182-1	V	259.8	21.9	20.4	35.25	66	4	1
DDF183-1	V	239.45	24.15	22.2	58.08	63.54	4	1
DDF185-1	V	300	28	25.4	68.3	80	5	
DDF193-1	V	255.85	21.9	20	46.23	68	4	
DDF195-1	V	237.8	18	16	31	75	4	
DDF203-1	S	231	12	10	44.15	61.04	4	2+2
DDF206-1	V	255.85	23.9	21	41	60	4	2+1
DDF207-1	V	256	20	18	38.8	65	4	1
DDF208-1	S	238.8	9.9	8	42.5	63.5	4	1
DDF209-1	V	259.85	24.15	22.8	58.08	63.54	4	1
DDF211-1	V	302	22	20.4	76.4	79	5	1+1
DDF218-1	V	294.6	20	18	28.8	104.08	6	
DDF221-1	S	300	10	8.4	61.1	75	5	1+1
DDF222-1	V	302	27.9	26.4	76.1	79	5	1+1
DDF227-1	V	240	18	16	45.4	61.1	4	2
DDF242-1	SH	260.8	10	8	82.5		4	1
DDF246-1	S	298	14	13	70.2	101.7	5	
DDF248-1	S	285.4	11.9	10.5	51.7	79.04	5	1
DDF249-1	S	280	10	8.4	60	75	5	1
DDF258-1	V	286	22	20.4	51.6	79	5	1
DDF262-1	V	298	24	22.5	70.3	101.7	5	
DDF279-1	S	243	13.5	12.5	47.2	54	4	2
DDF281-1	S	253	10	8	33	63.5	4	
DDF289-1	V	229.9	17	16	45	61.1	4	2
DDF311-1	V	276	24	22	46.8	68	5	
DDF317-1	S	300	12	11	68	75	5	
DDF320-1	V	287.6	24.8	23	46.3	68.2	5	



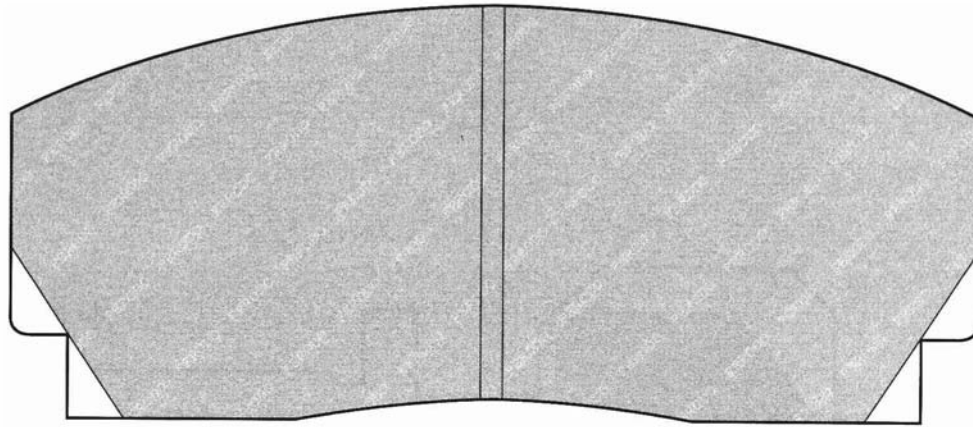
FERODO DISC DIMENSIONS BY PART NUMBER

	SOLID/ VENTED	A DIAMETER	B THICKNESS	B' MINIMUM THICKNESS	C HEIGHT	D CENTRE HOLE	E No. OF STUD HOLES	No. OF SCREW HOLES
DDF321-1	S	244.4	10	9	63.9	68.2	5	
DDF324-1	S	288	15	13	46.2	68	5	
DDF326-1	S	300	10	9	69.1	75	5	
DDF331-1	S	259.8	9.9	8	69.2	57	4	1+1
DDF332-1	V	280	22	20	28.2	65	5	1
DDF342-1	V	250	20	18.5	34.5	75	4	
DDF347-1	V	302	20	19	48	100	6	2
DDF349-1	V	255.3	20	18.4	33.5	84	5	
DDF356-1	V	251	18	16.5	33.6	80	6	
DDF357-1	V	256	20	18	20	86	6	
DDF364-1	V	260	24	22	47	63.5	4	
DDF377-1	V	241.8	19	17	44	61	4	2+2
DDF385-1	V	257.2	22	20.6	36	88.2	6	
DDF389-1	V	242	19	17.7	40.5	86	4	
DDF390-1	V	257.3	22	20	45	69	4	2
DDF392-1	V	252	20.0	19	45	87	6	
DDF407-1	V	243	18	17	47.2	54.1	4	
DDF413-1	V	238	18	17	48	54	4	2
DDF416-1	V	257	25	24	47	84	5	
DDF431-1	V	260	18	16	31	75	4	
DDF444-1	S	302	12.5	11.5	48	100	6	2
DDF447-1	V	239.5	21	19	45	61	4	2+2
DDF459-1	V	258.1	22	20.4	33.8	84.1	6	
DDF460-1	V	277	22	20.4	45	87.1	6	
DDF464-1	V	276.5	26	24	39	100.13	6	
DDF482-1	V	257	22	20	34	86.1	4	
DDF492-1	V	261.5	21	19	44.7	64.15	4	2+2
DDF495-1	V	257	22	20	45	55	4	1
DDF496-1	V	257.8	24	22	48.5	72	5	1
DDF501-1	V	275	28	26	49.4	62.05	5	2
DDF523-1	S	251	9	8	35	55	4	
DDF524-1	S	261	10	8	40	72.1	5	
DDF542-1	SH	257.7	16	13	95.2		5	
DDF590-1	V	251.7	20	18	29.1	81	4	
DDF596-1	V	289	20	18	64.07	100	6	
DDF602-1	V	271.6	22	20	24.7	93	6	
DDF674-1	S	257.5	9	8	44.5	68.1	4	2
DDF702-1	V	254.8	28	26	49	62.03	5	2
DDF716-1	V	257.2	26	23.9	45.2	61.1	4	2
DDF766-1	V	239.5	19.9	18	43	63.6	4	1
DDF808-1	V	229.7	20	19	43.6	74.1	4	
DDF817-1	V	288	25	22.4	46.5	67	5	1
DDF826-1	V	252.8	20	18.4	28.7	84	5	
DDF830-1	SH	244.8	9.9	8	83.7		5	
DDF841-1	V	282.7	26	24	28	66.02	4	2
DDF888-1	V	240.2	20	19	46.7	59	4	
DDF927-1	V	255.8	22	19	36.7	65	5	1
DDF928-1	V	280	22	20	36.4	65.1	5	1+1
DDF929-1	S	231.7	9	7	39.5	65	5	1
DDF950-1	S	238.7	9	8	47.6	61.1	4	2+2
DDF1006-1	V	258.6	20.7	17.7	41	61.01	4	2

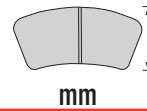
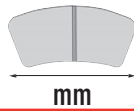
FRP203



FORD



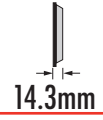
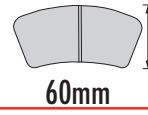
D267



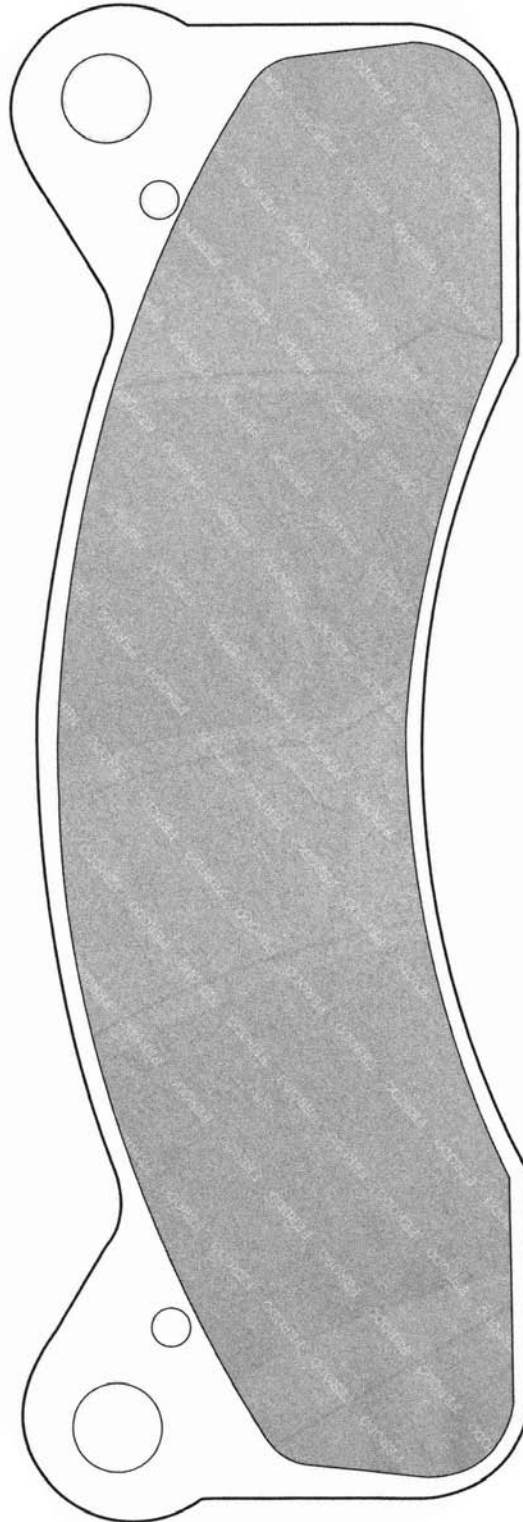
CHRYSLER

NO ILLUSTRATION AVAILABLE

D412



FORD

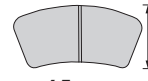


D413

Outer
Inner



196mm
187mm

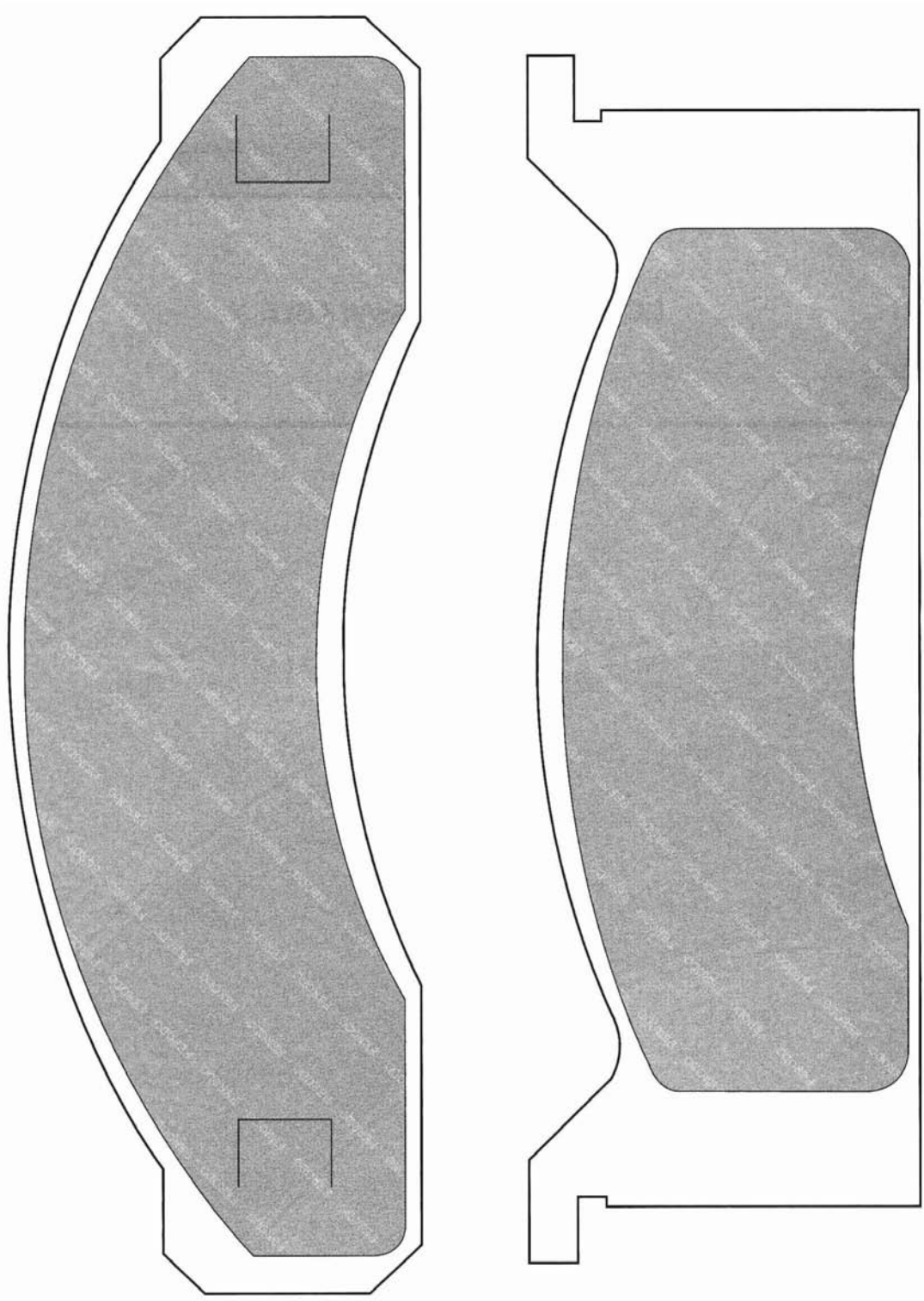


65mm
58mm

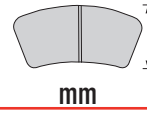
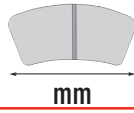


13.3mm
13.3mm

FORD



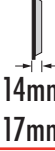
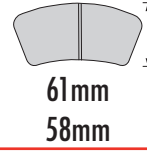
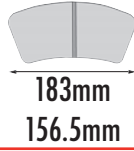
D414



FORD

NO ILLUSTRATION AVAILABLE

D422



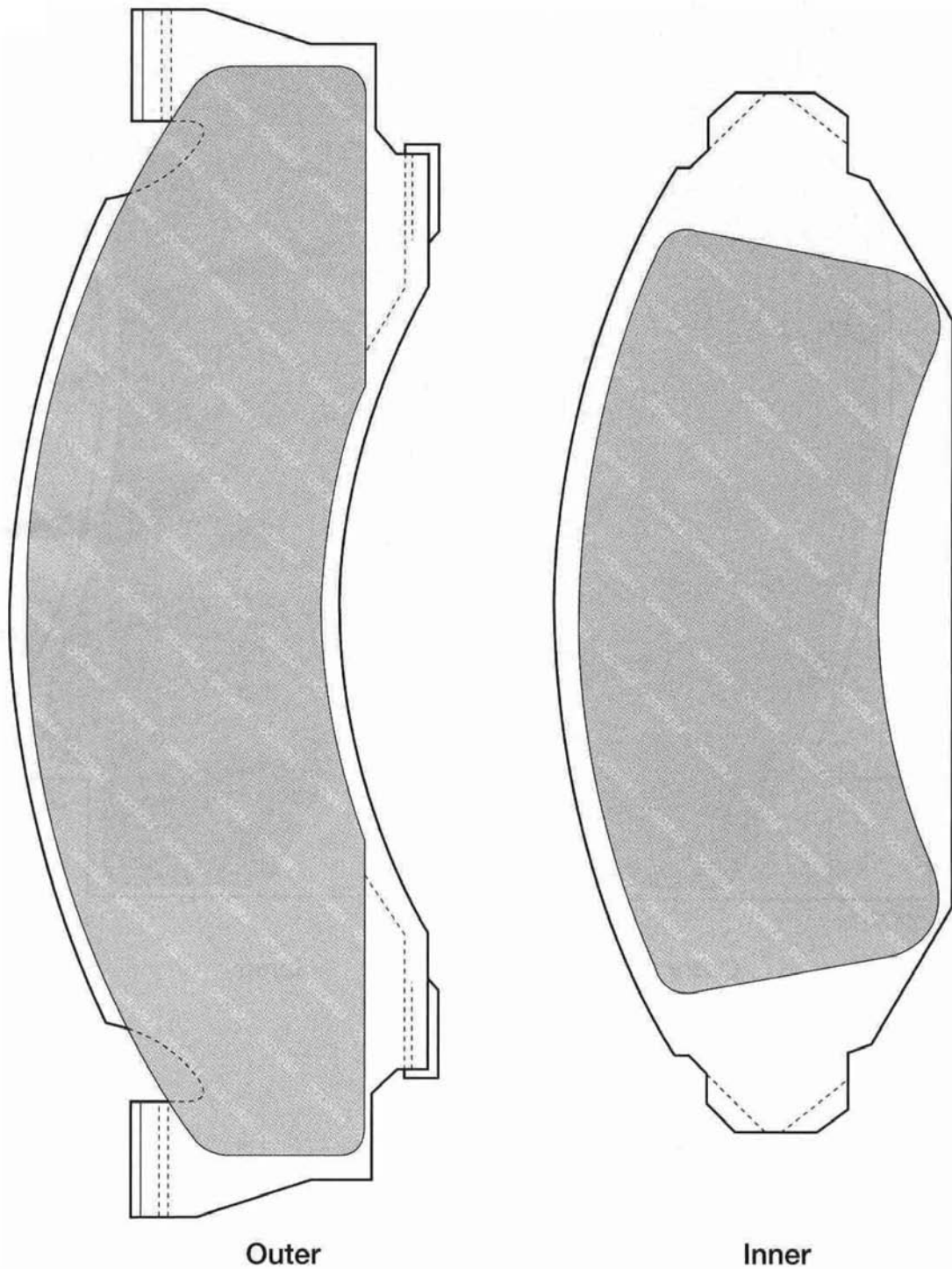
Outer
Inner

183mm
156.5mm

61mm
58mm

14mm
17mm

FORD

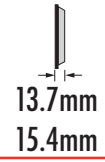
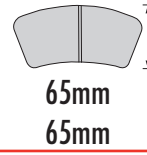
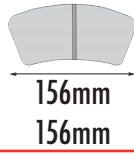


Outer

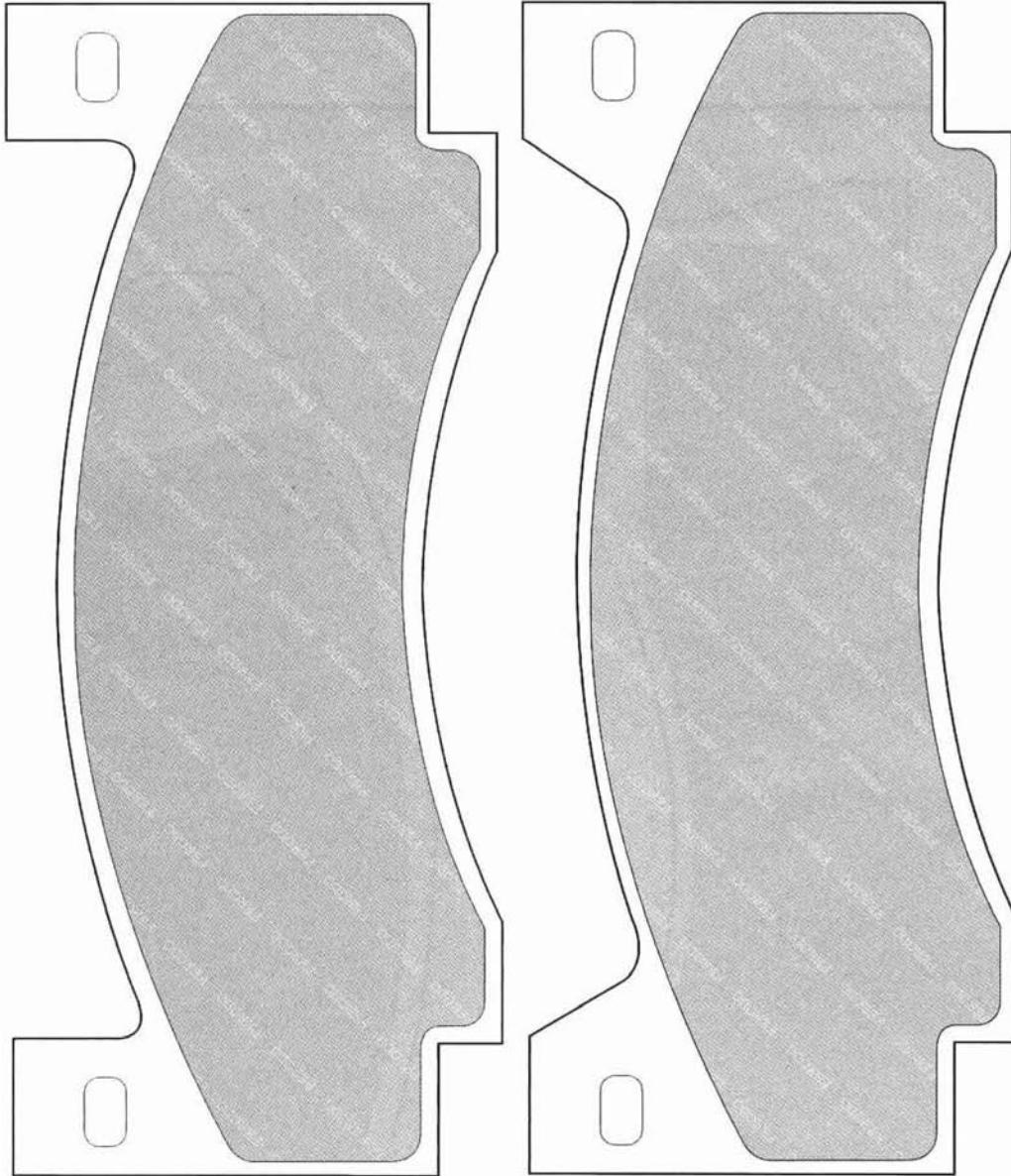
Inner

D426

Outer
Inner



DODGE

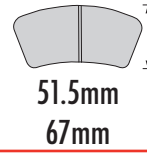
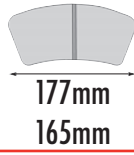


Outer

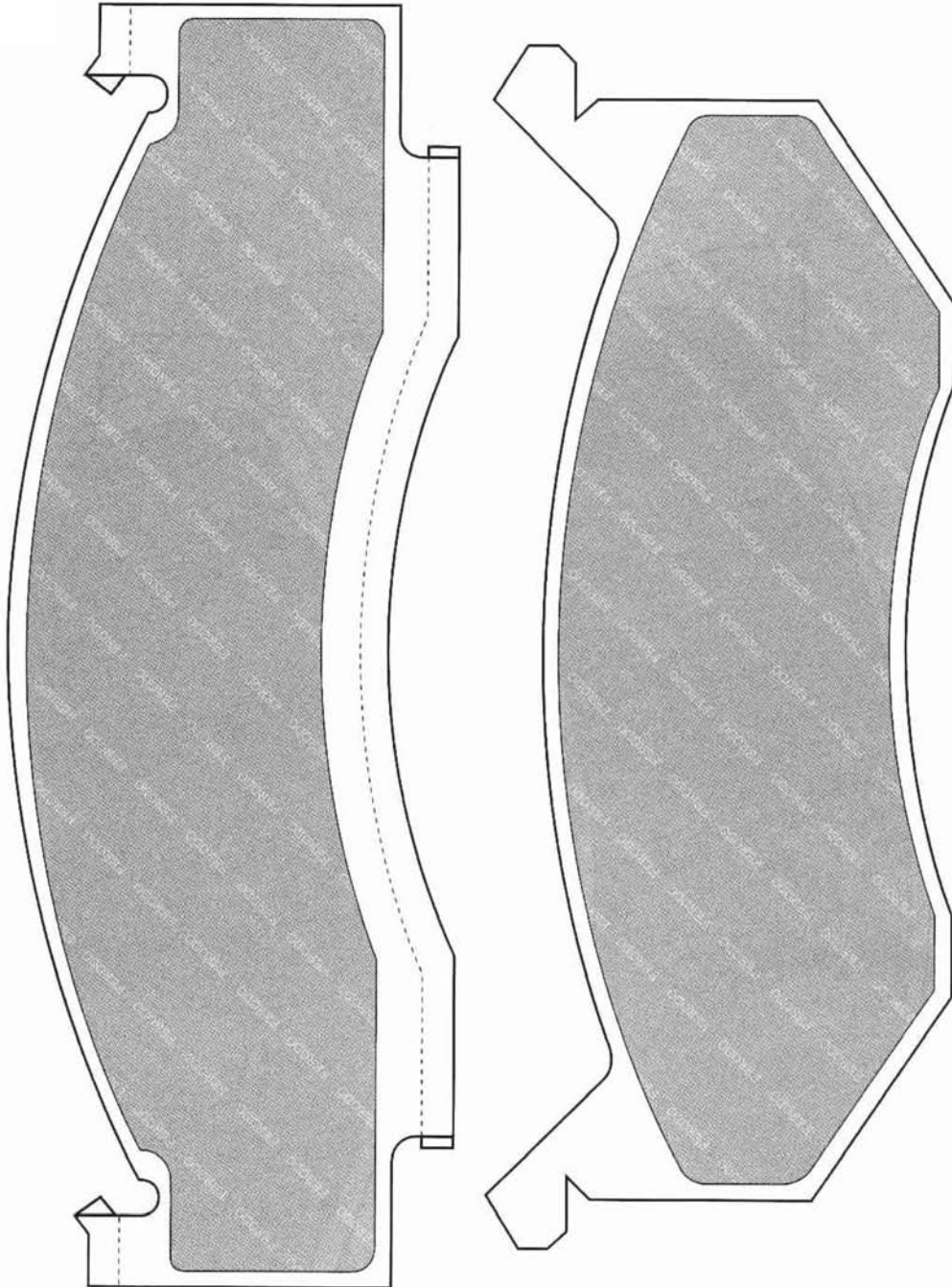
Inner

D427

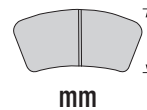
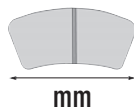
Outer
Inner



DODGE



D430

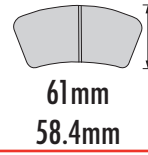
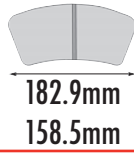


CHEVROLET

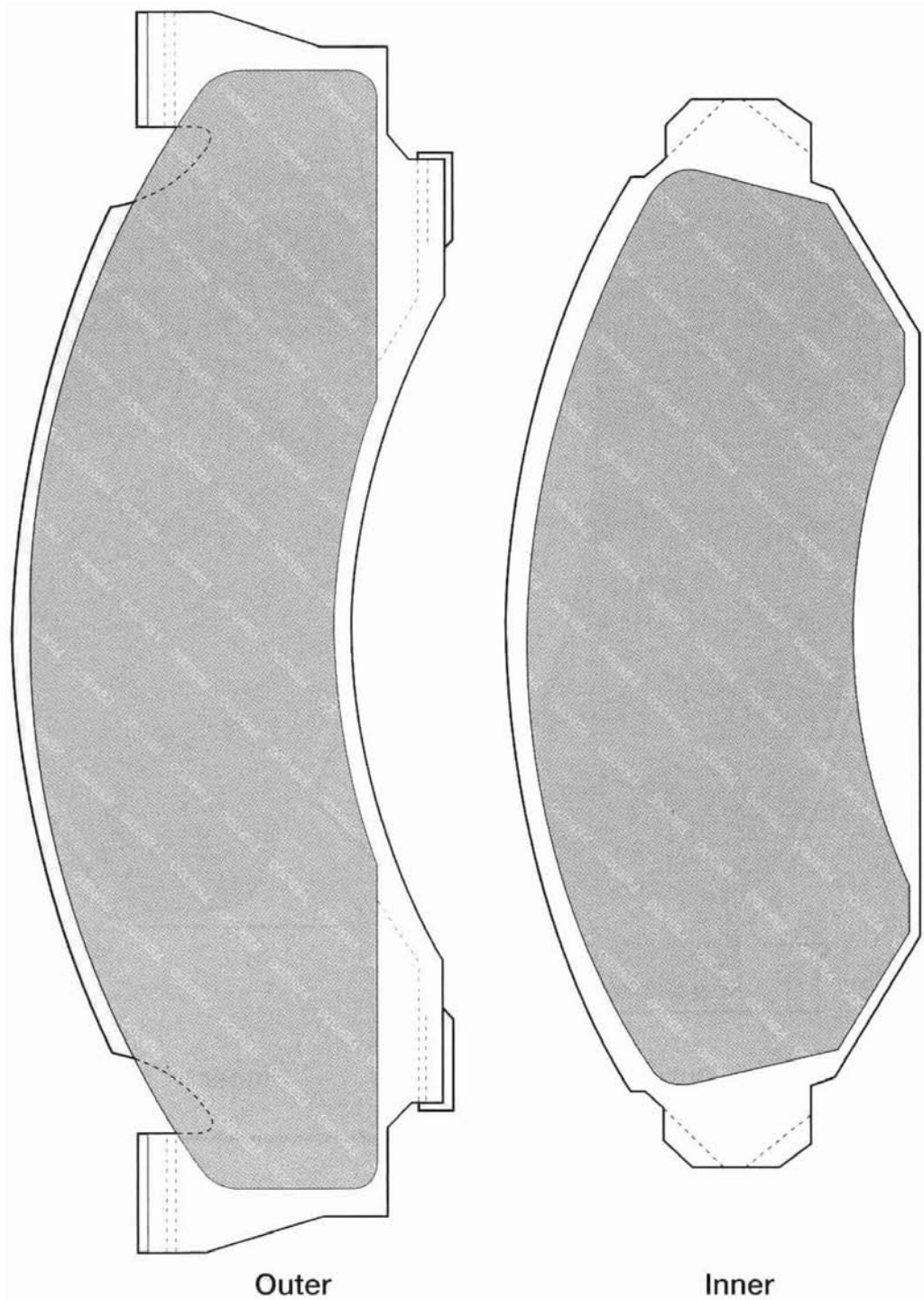
NO ILLUSTRATION AVAILABLE

D433

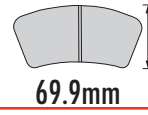
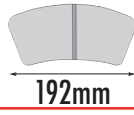
Outer
Inner



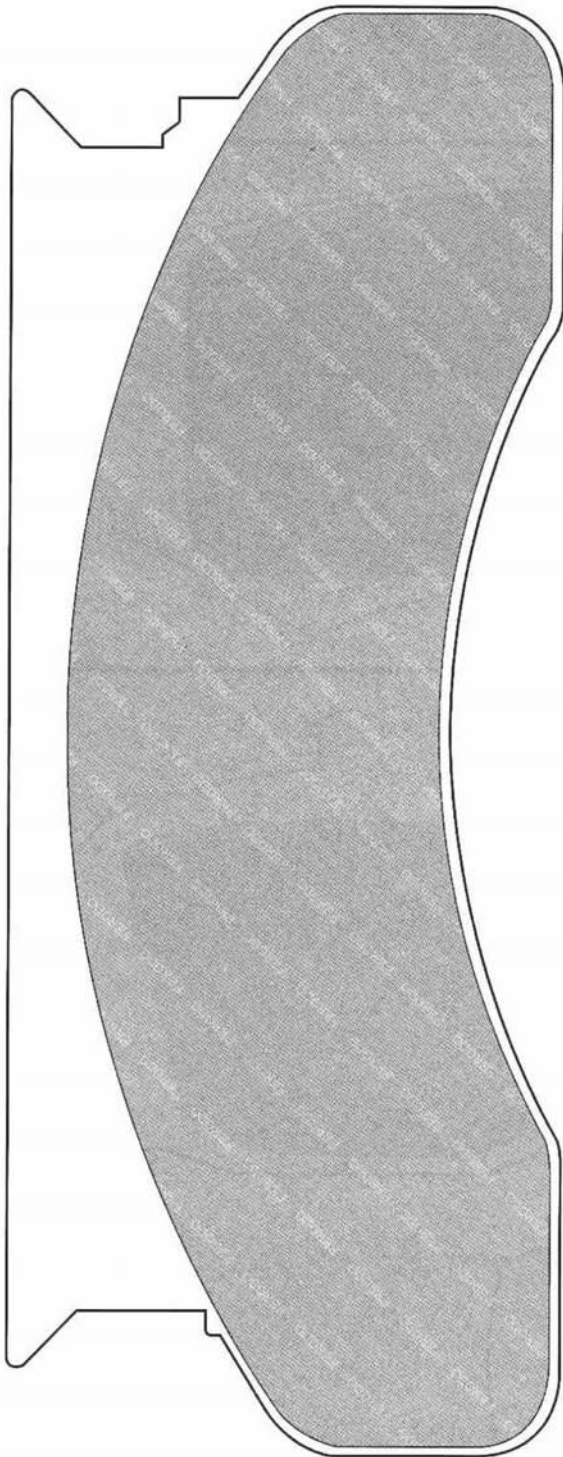
JEEP



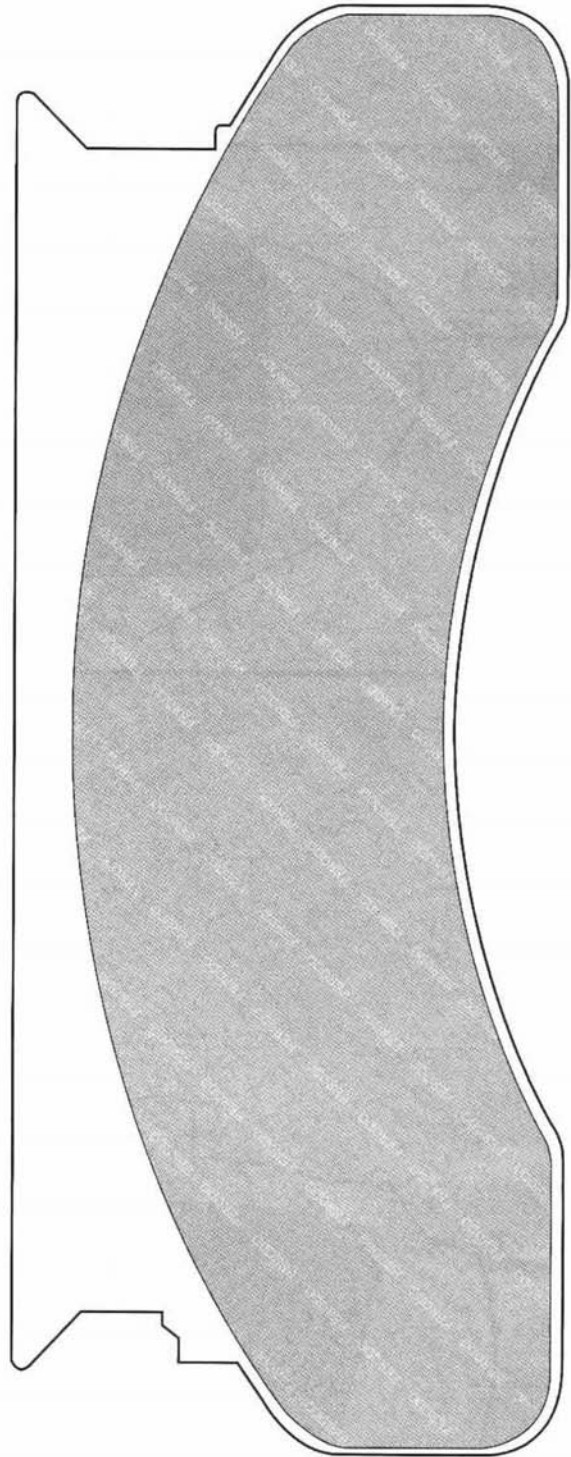
D442



FORD

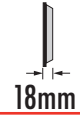
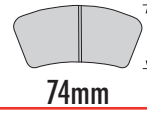
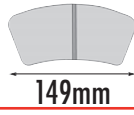


Outer

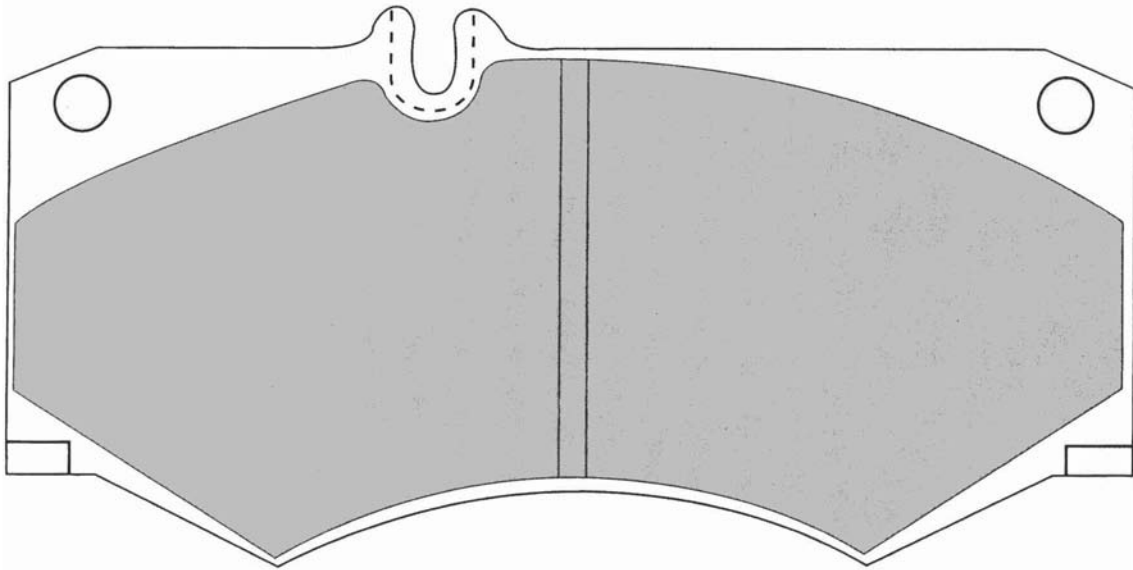


Inner

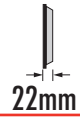
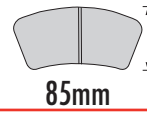
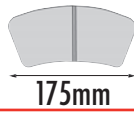
FCV239



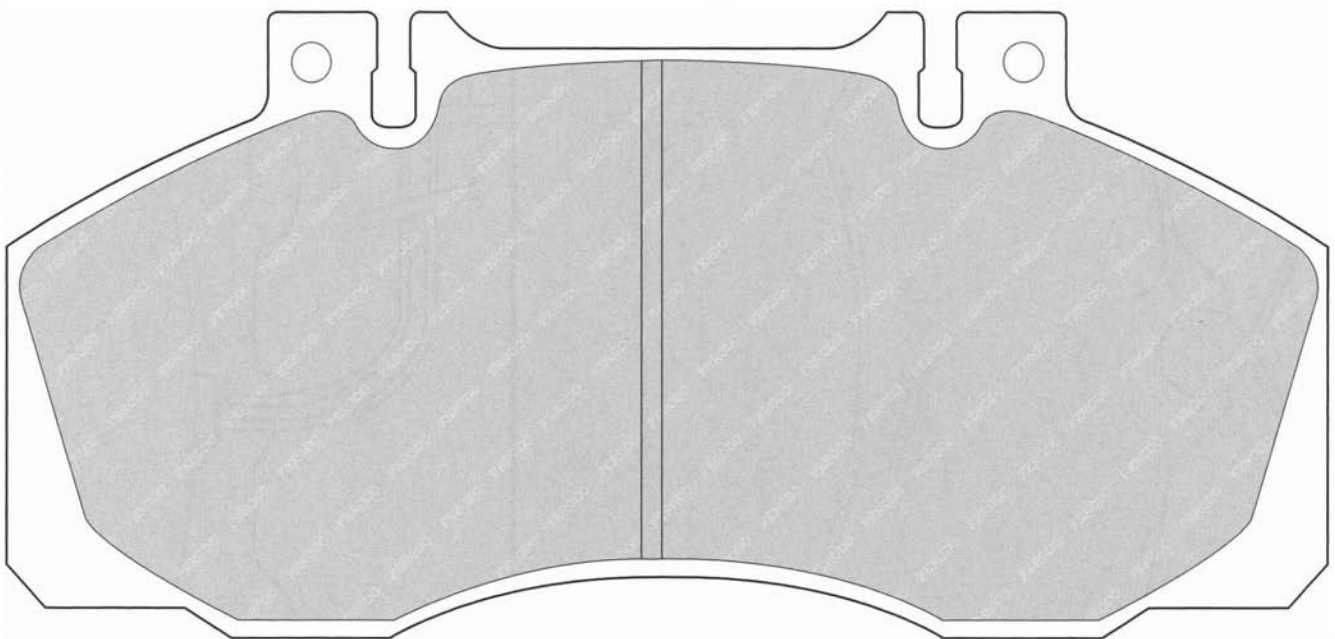
MERCEDES BENZ COMM.



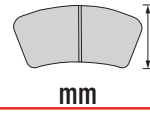
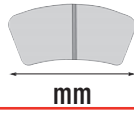
FCV501



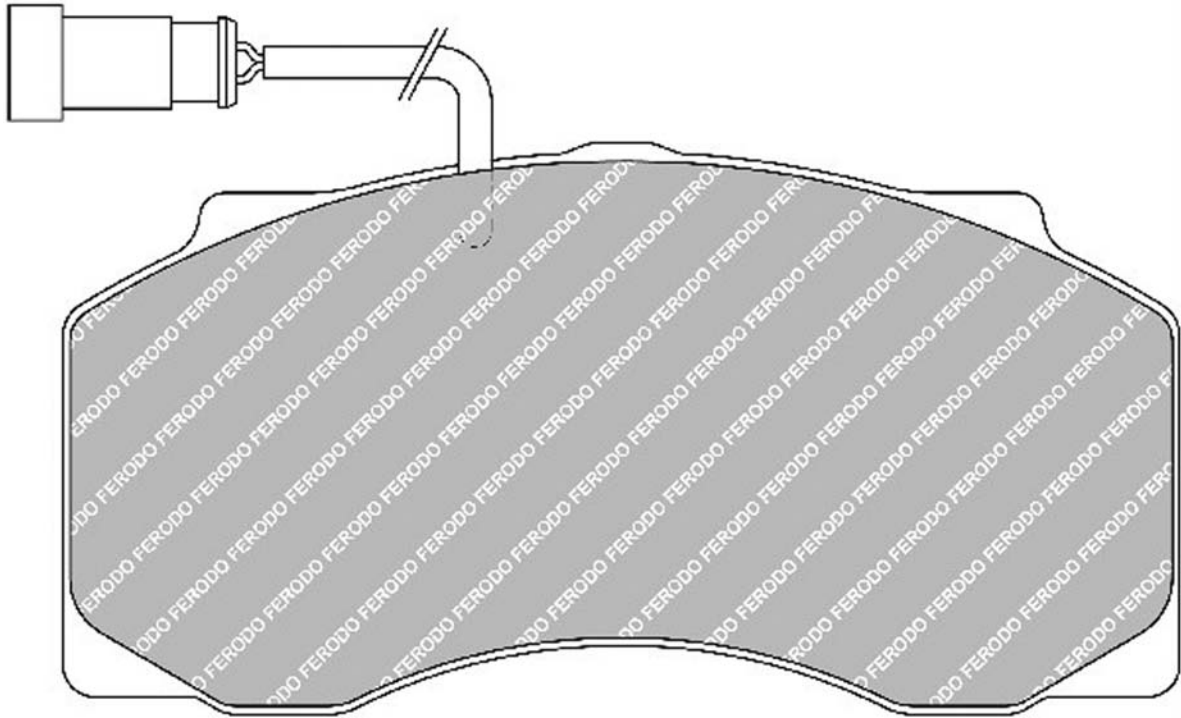
MERCEDES BENZ



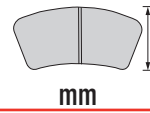
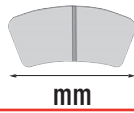
FCV1042



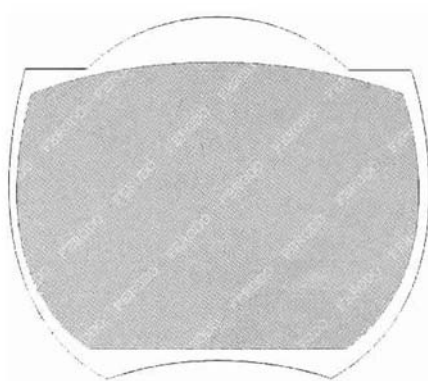
DAF



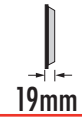
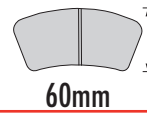
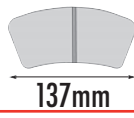
FD9L



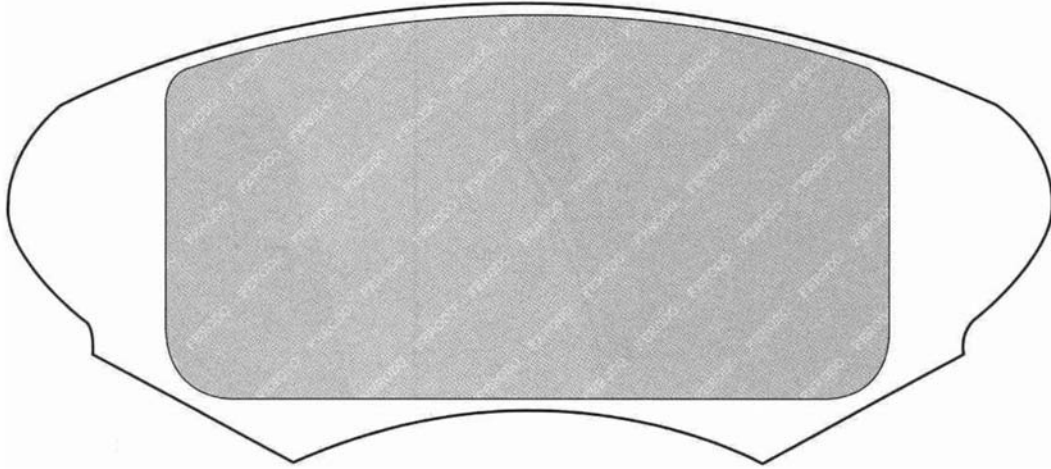
AUSTIN



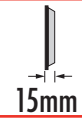
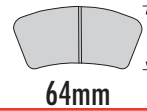
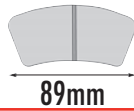
FD25L



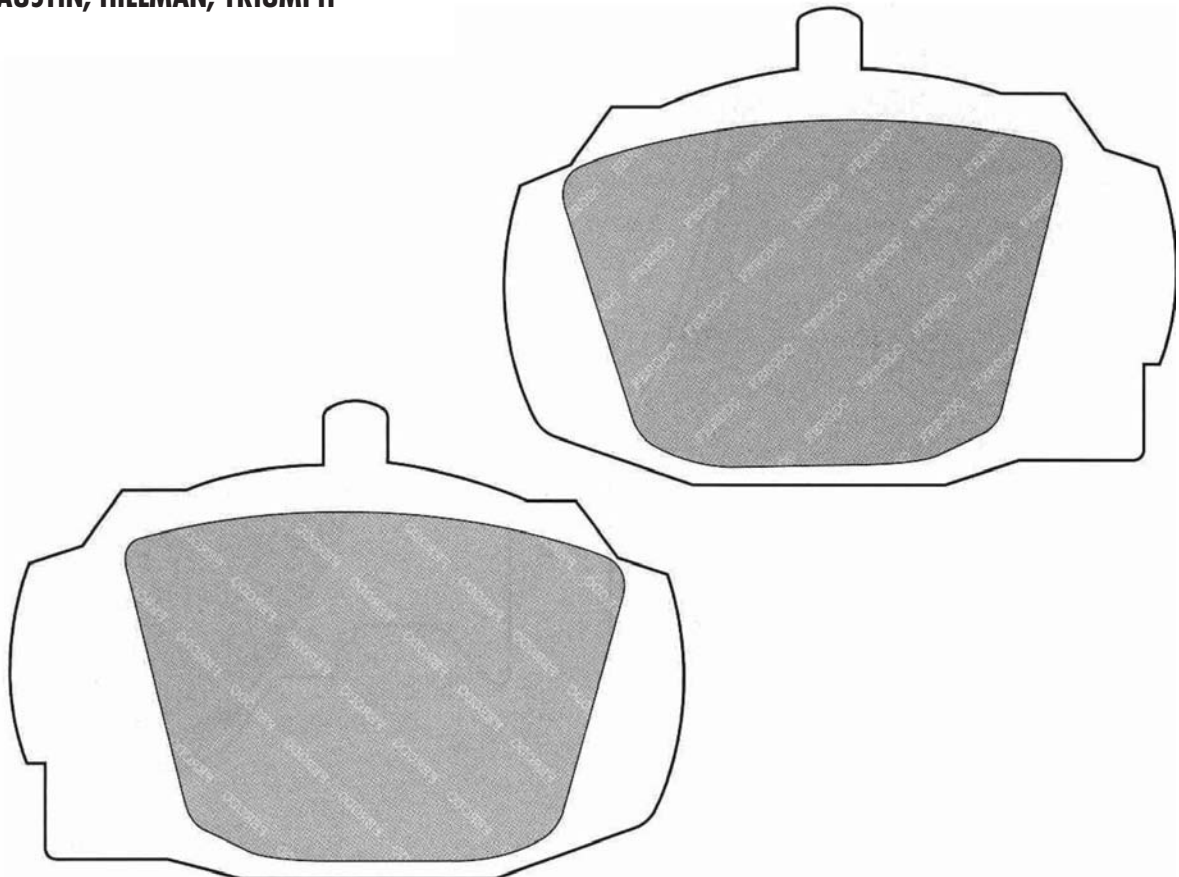
AUSTIN



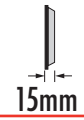
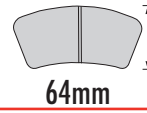
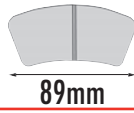
FD29L



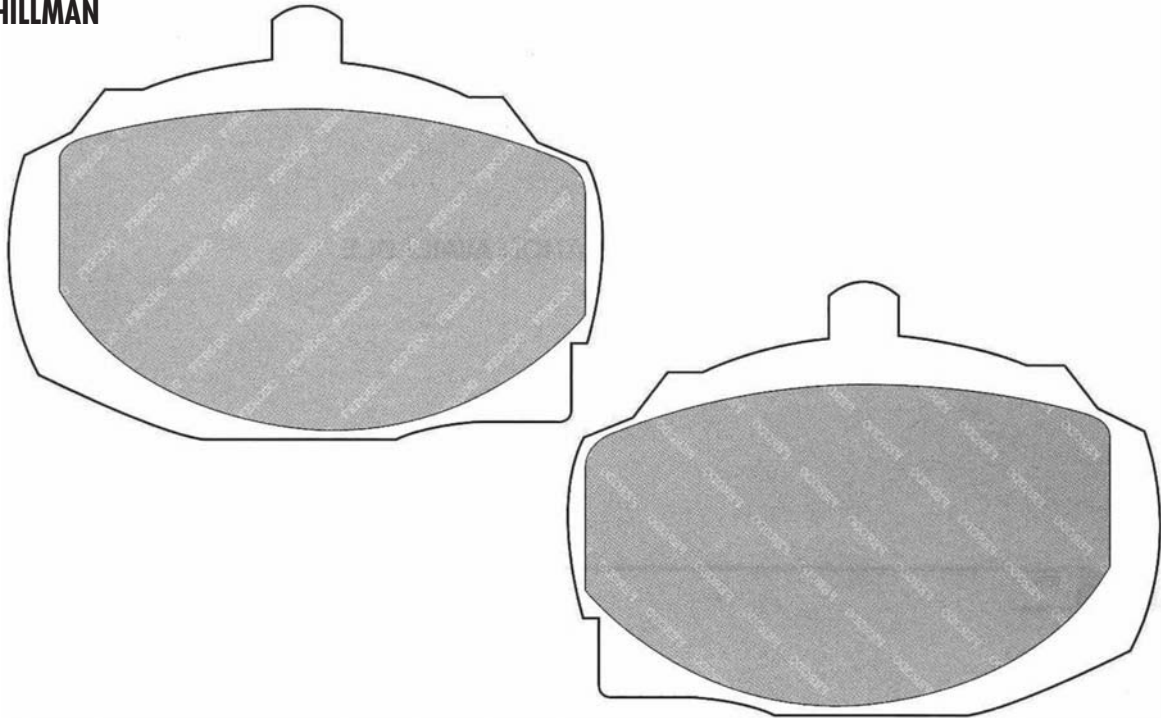
AUSTIN, HILLMAN, TRIUMPH



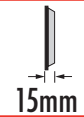
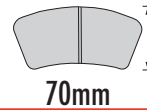
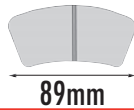
FD35L



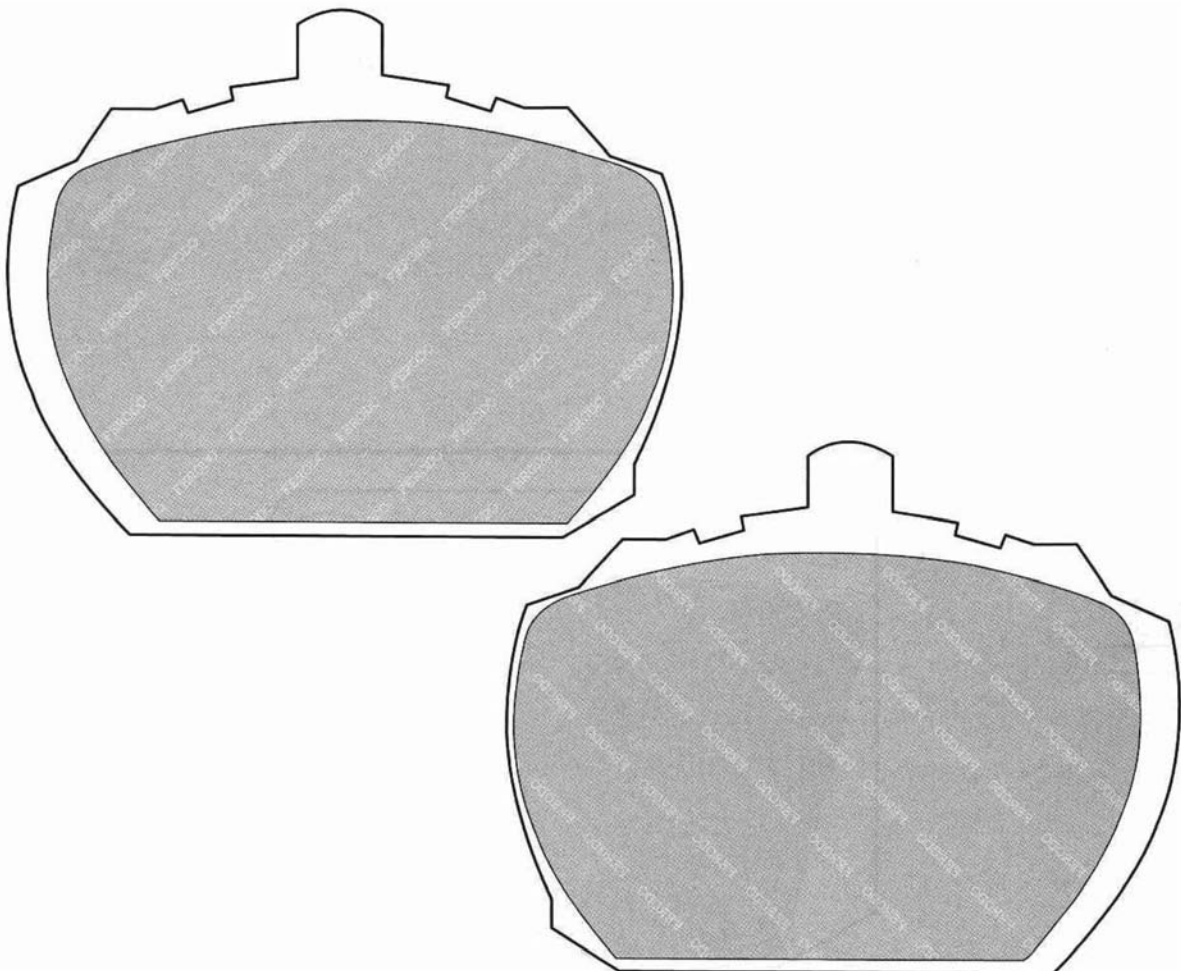
HILLMAN



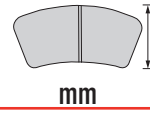
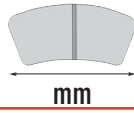
FD44L



HILLMAN



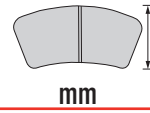
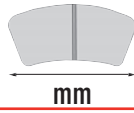
FD517



FIAT

NO ILLUSTRATION AVAILABLE

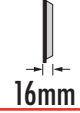
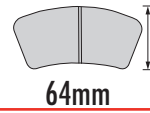
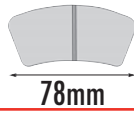
FD519



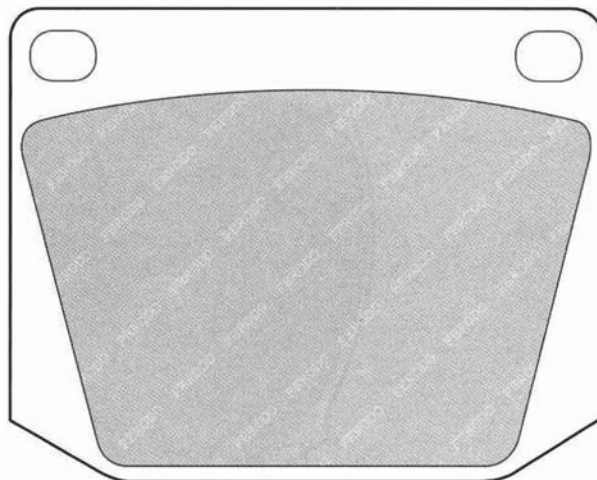
FORD

NO ILLUSTRATION AVAILABLE

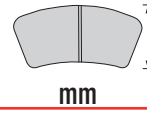
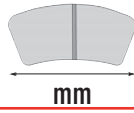
FD525



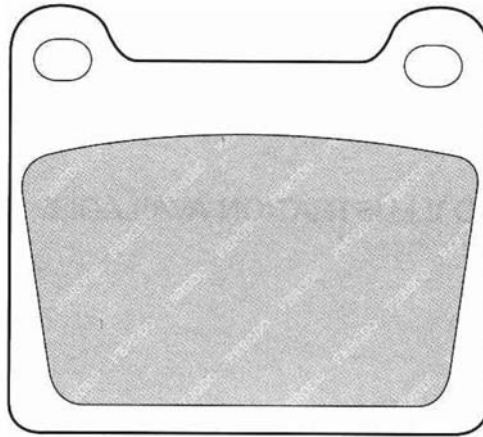
AUSTIN, FORD, HOLDEN, TRIUMPH



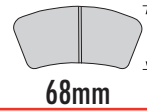
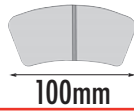
FD528



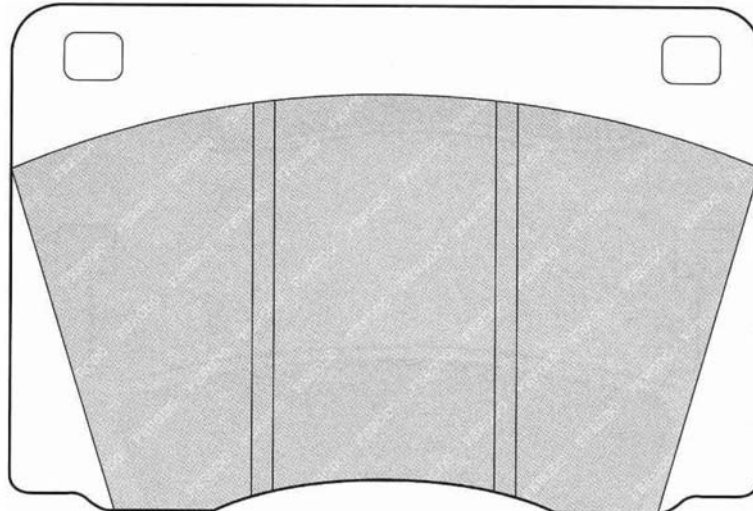
TRIUMPH, VAUXHALL



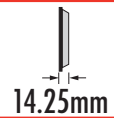
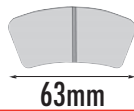
FD531



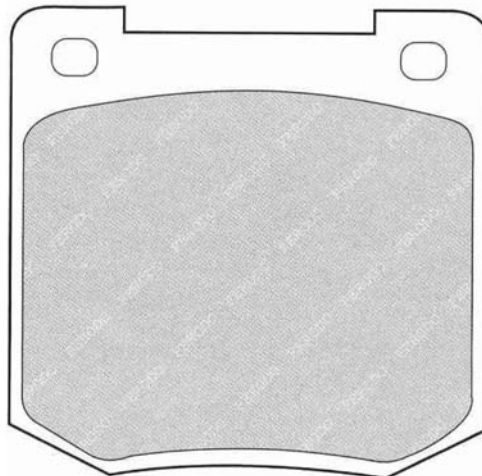
LOTUS



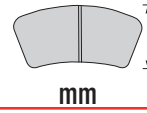
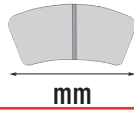
FD535



AUSTIN, CHEVROLET, COLT, FORD, HILLMAN, MAZDA,
NISSAN, OPEL, PEUGEOT, TOYOTA, TRIUMPH, VAUXHALL



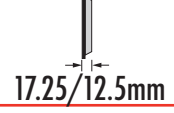
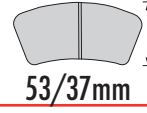
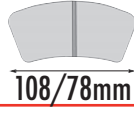
FD538



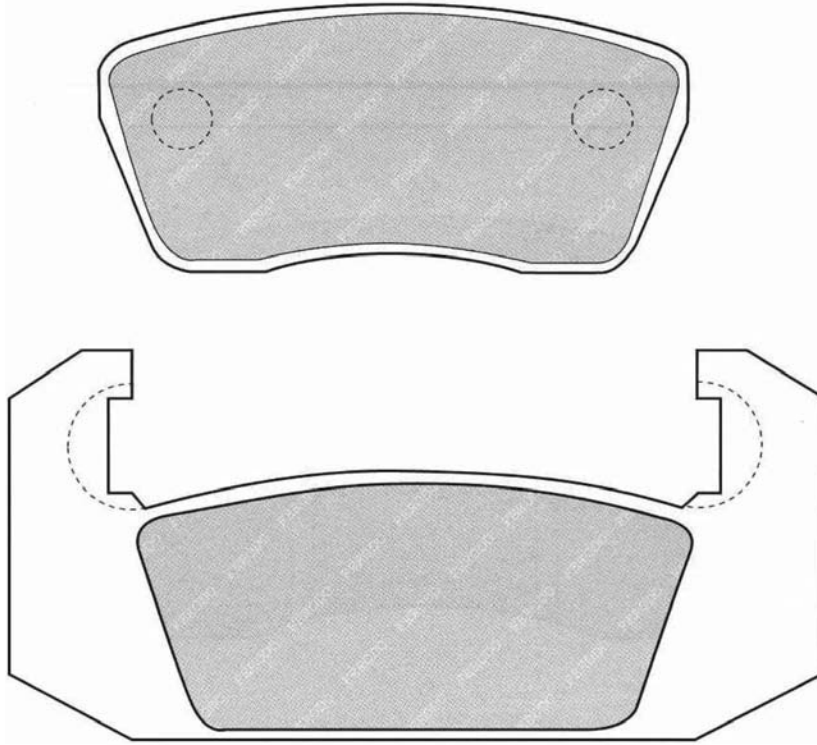
PEUGEOT

NO ILLUSTRATION AVAILABLE

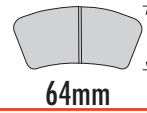
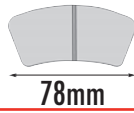
FD539



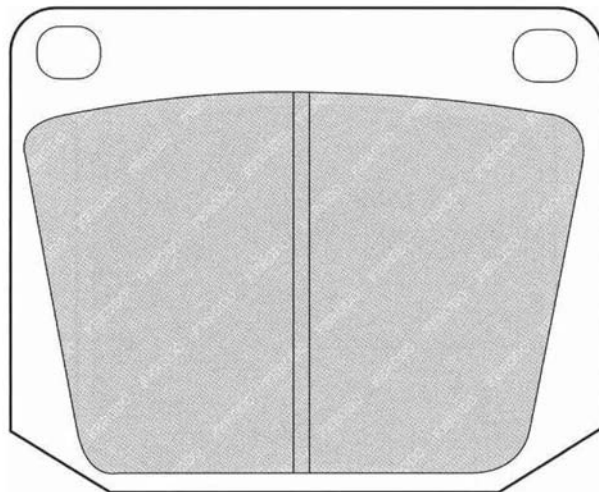
ROVER, FORD



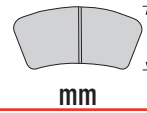
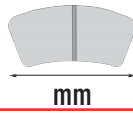
FD541



MAZDA



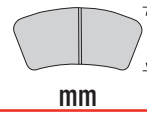
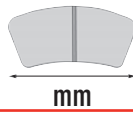
FD545



VOLVO

NO ILLUSTRATION AVAILABLE

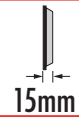
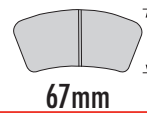
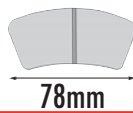
FD546



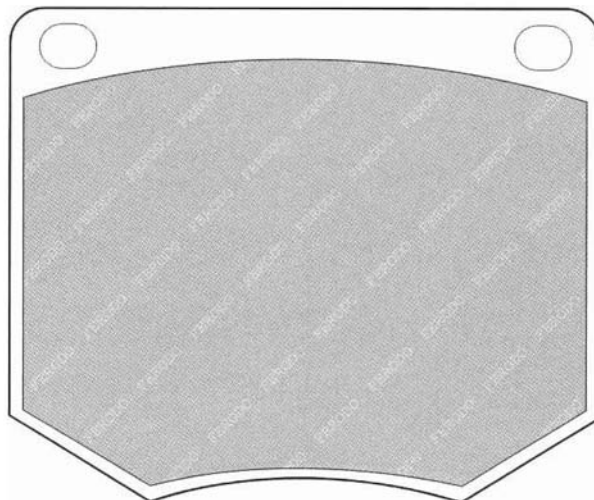
VOLVO

NO ILLUSTRATION AVAILABLE

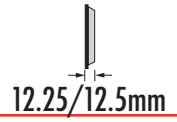
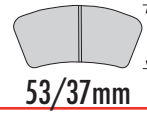
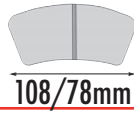
FD547



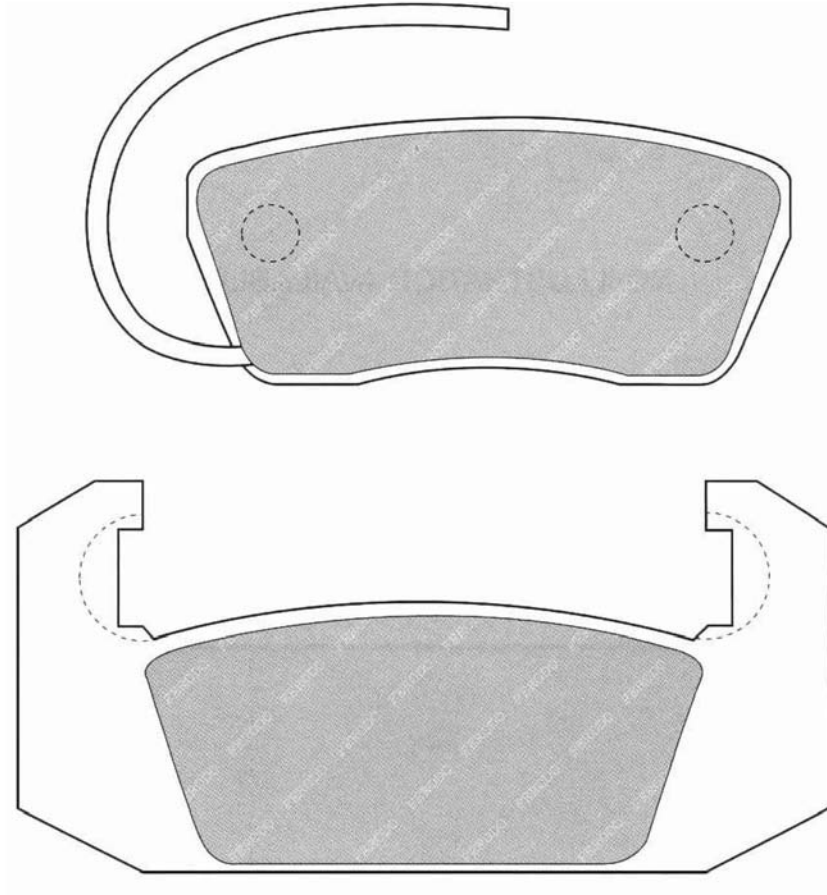
CHEVROLET, CHRYSLER, DODGE, RAMBLER, TOYOTA



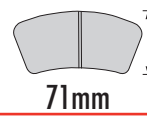
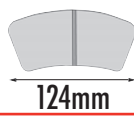
FD555



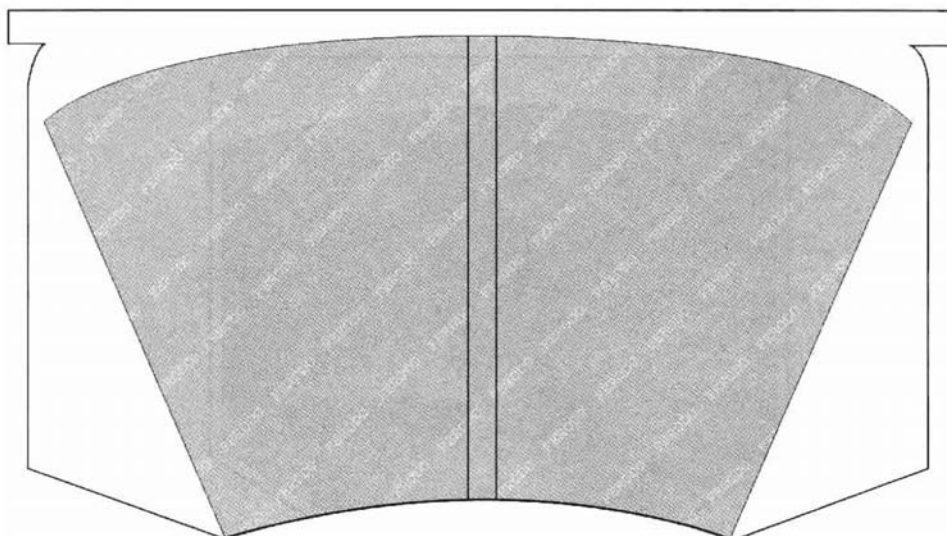
ROVER



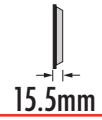
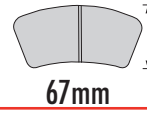
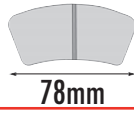
FD556



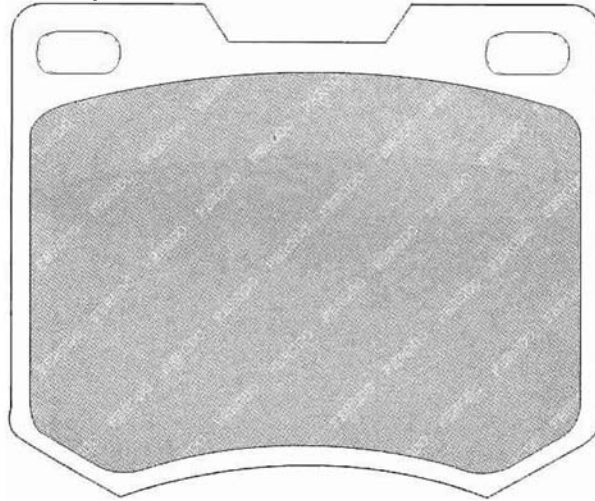
MASERATI



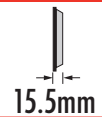
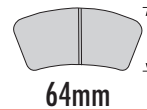
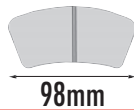
FD558



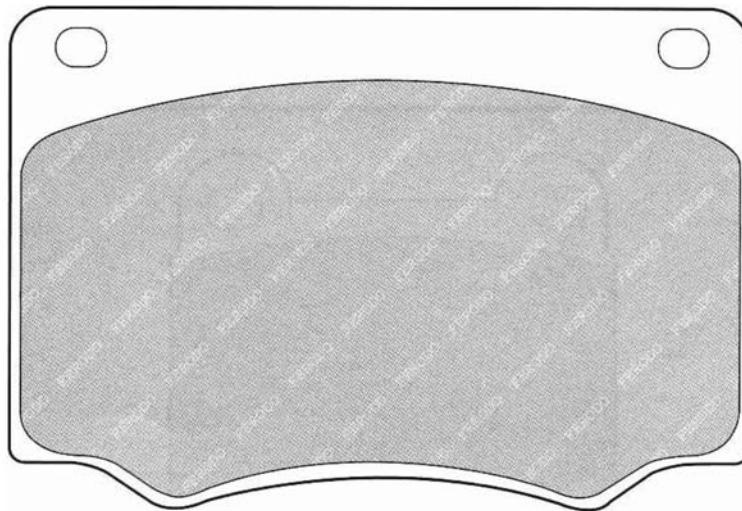
AUSTIN, CHEVROLET, COLT, DODGE, FORD, HILLMAN,
MAZDA, NISSAN, OPEL, TOYOTA, TRIUMPH



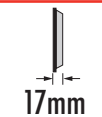
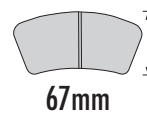
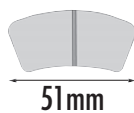
FD559



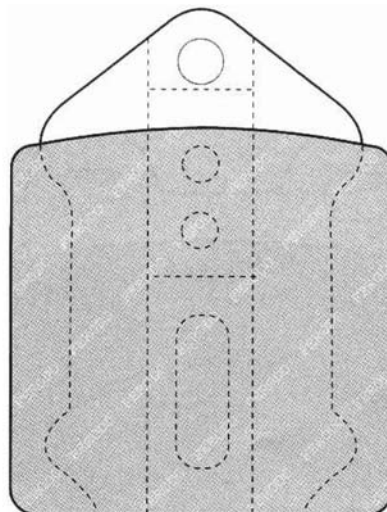
FORD, ROVER



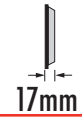
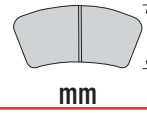
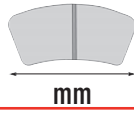
FD710



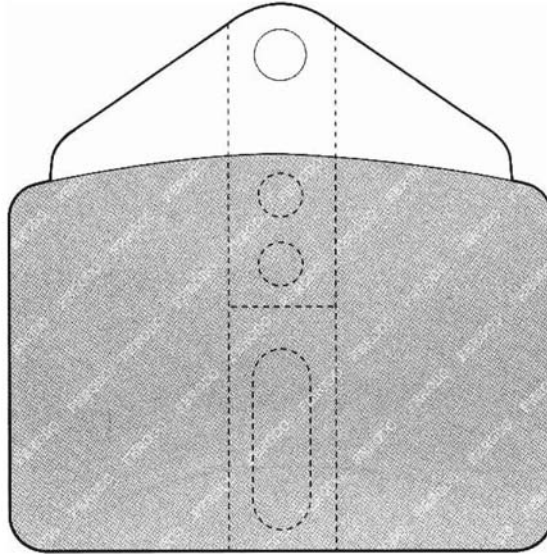
JAGUAR



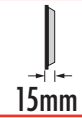
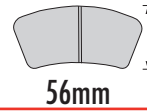
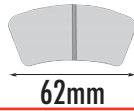
FD715



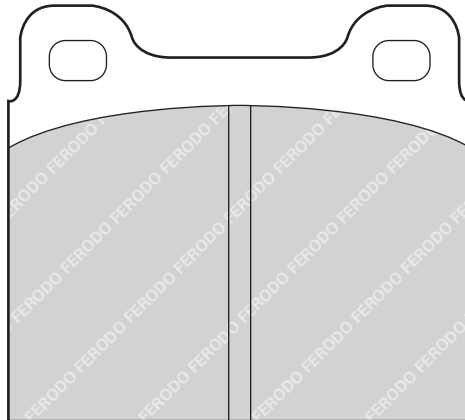
JAGUAR



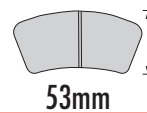
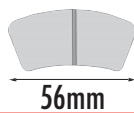
FDB2



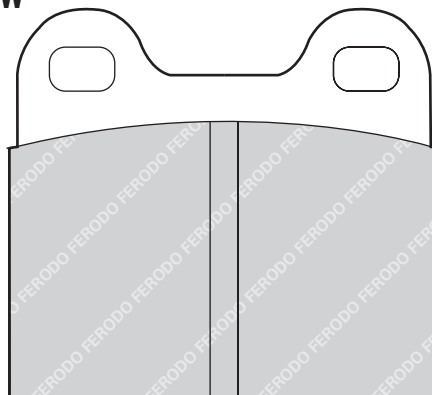
**ALFA, AUDI, BMW, CHEVROLET, FORD, MERCEDES BENZ,
OPEL, PORSCHE, RANGER, VOLVO, VW**



FDB3



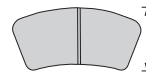
ALFA, BMW, DKW, PORSCHE, VW



FDB9



100mm

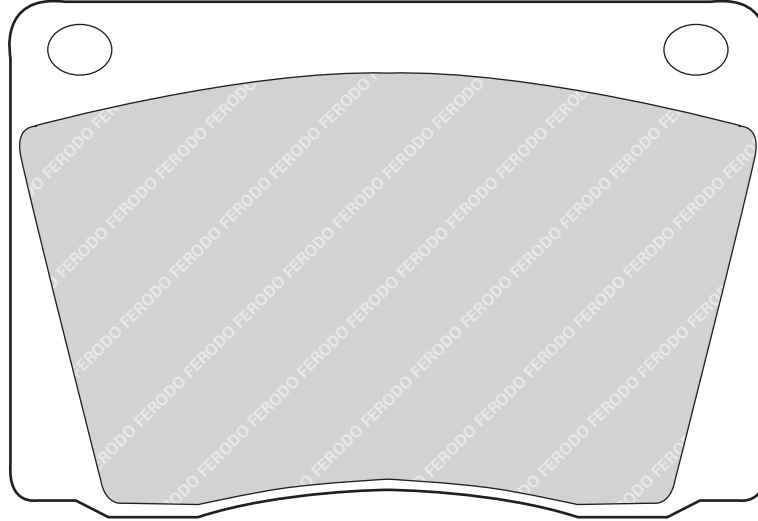


68mm



16mm

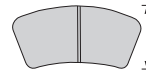
AUSTIN, FIAT, JAGUAR, MERCEDES BENZ, ROVER, VOLVO



FDB10



148mm

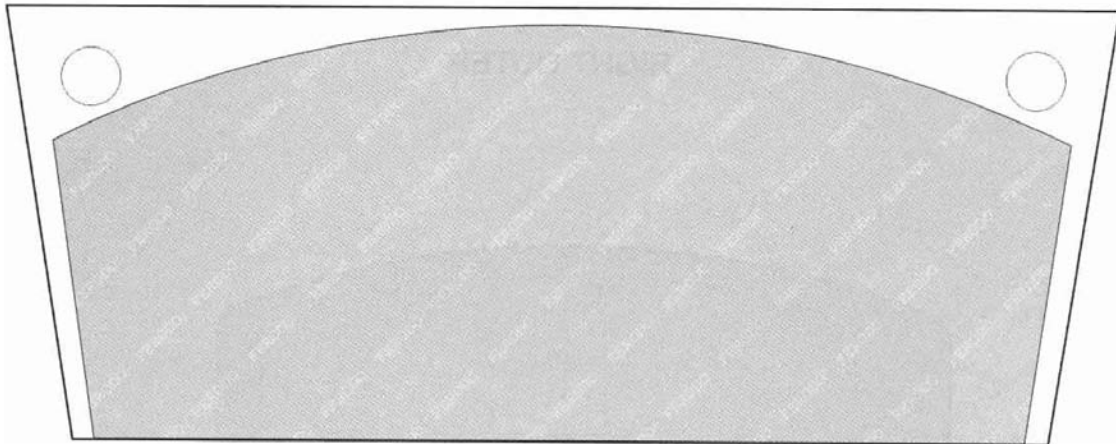


57mm



15.5mm

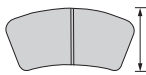
CITROEN



FDB11



77mm

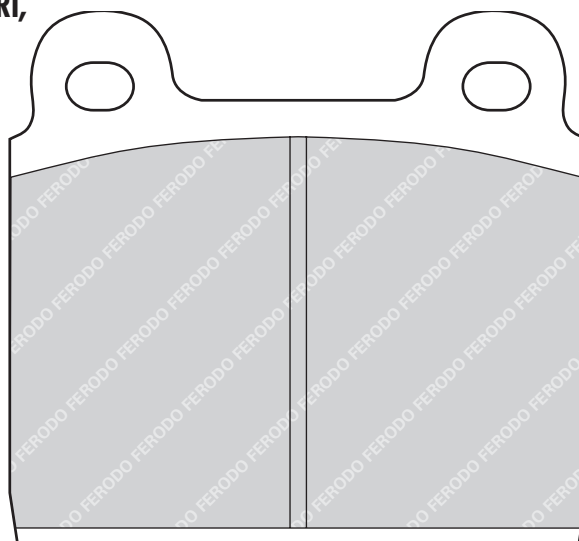


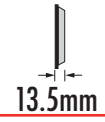
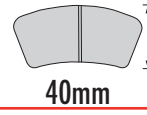
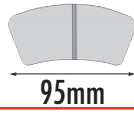
70mm



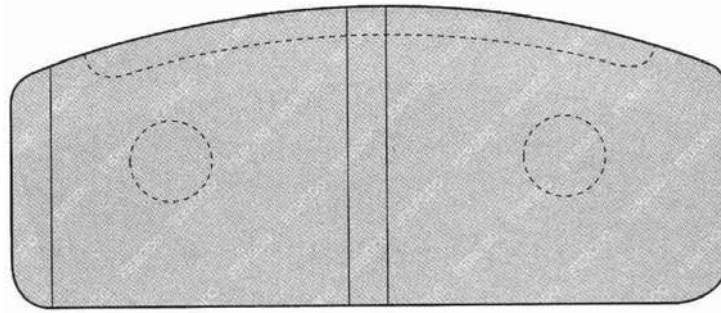
15mm

ALFA, CHEVROLET, FERRARI,
FORD, MERCEDES BENZ,
PORSCHE,
VOLKSWAGEN COMM.

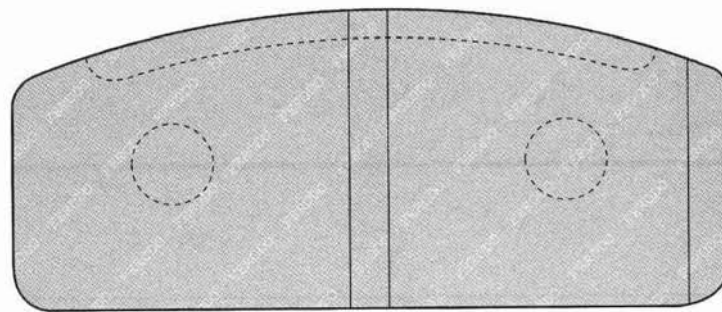




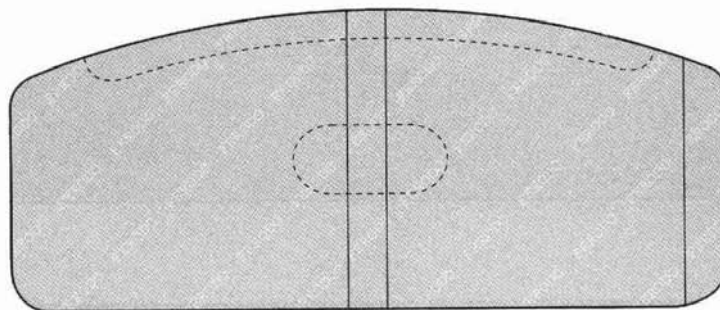
RENAULT



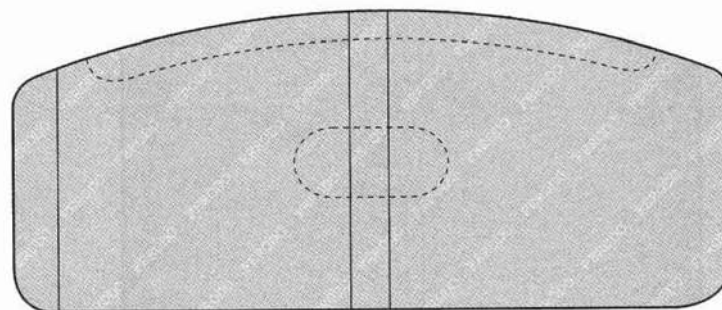
LEFT OUTER



RIGHT OUTER

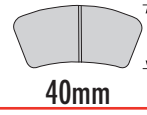
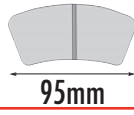


LEFT INNER

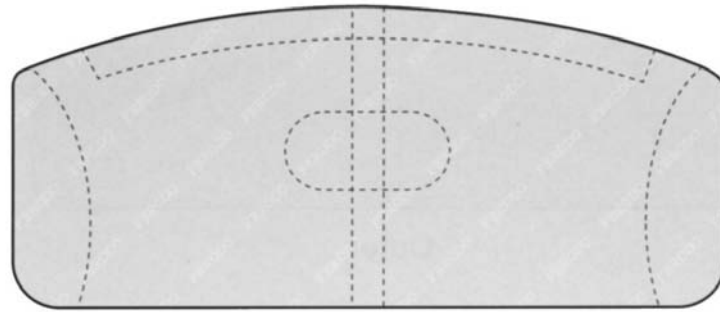
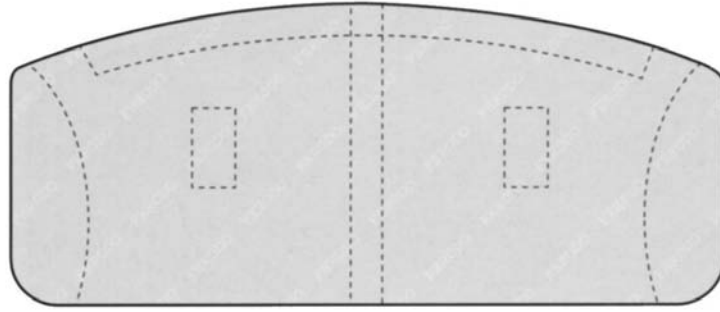


RIGHT INNER

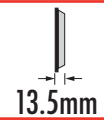
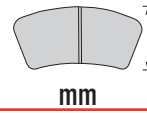
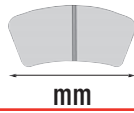
FDB13



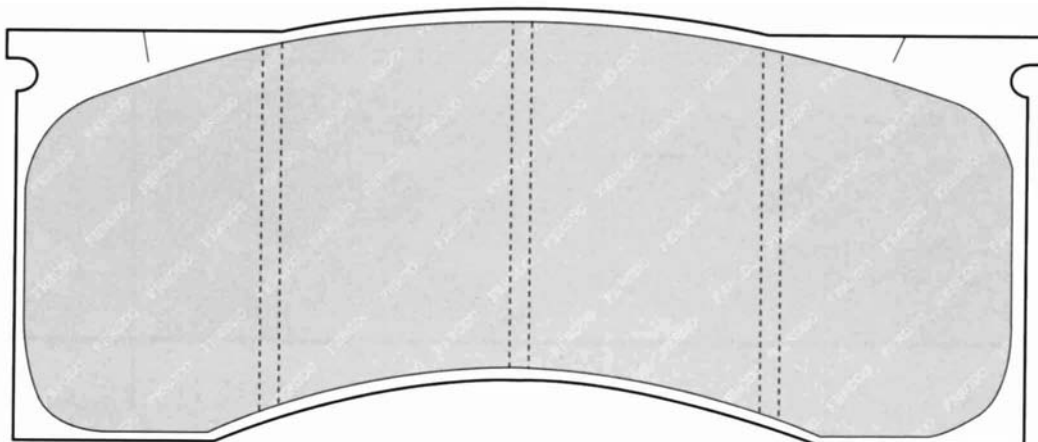
RENAULT



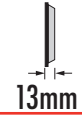
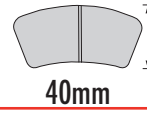
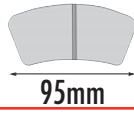
FDB18



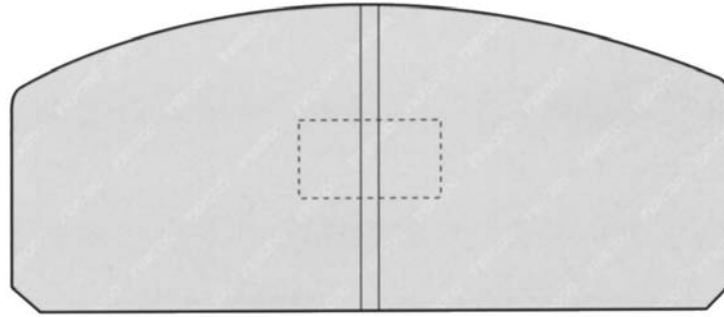
FORD



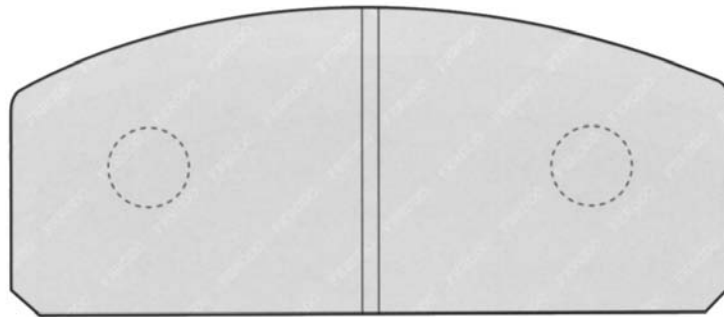
FDB20



FIAT

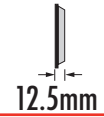
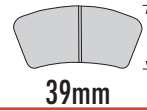
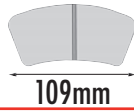


Inner

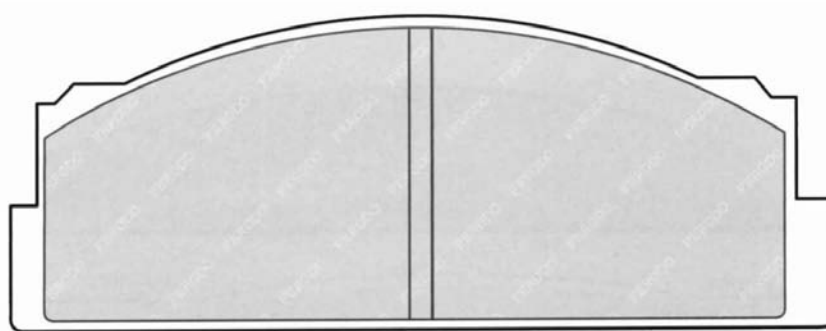


Outer

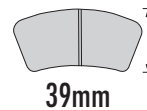
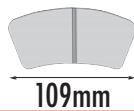
FDB21



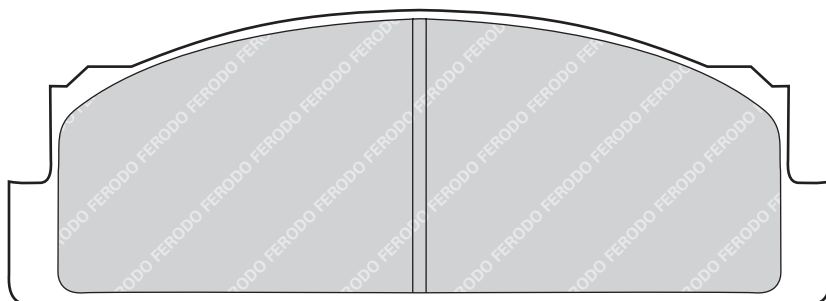
FIAT



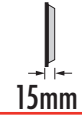
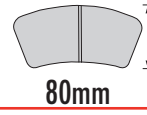
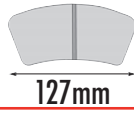
FDB22



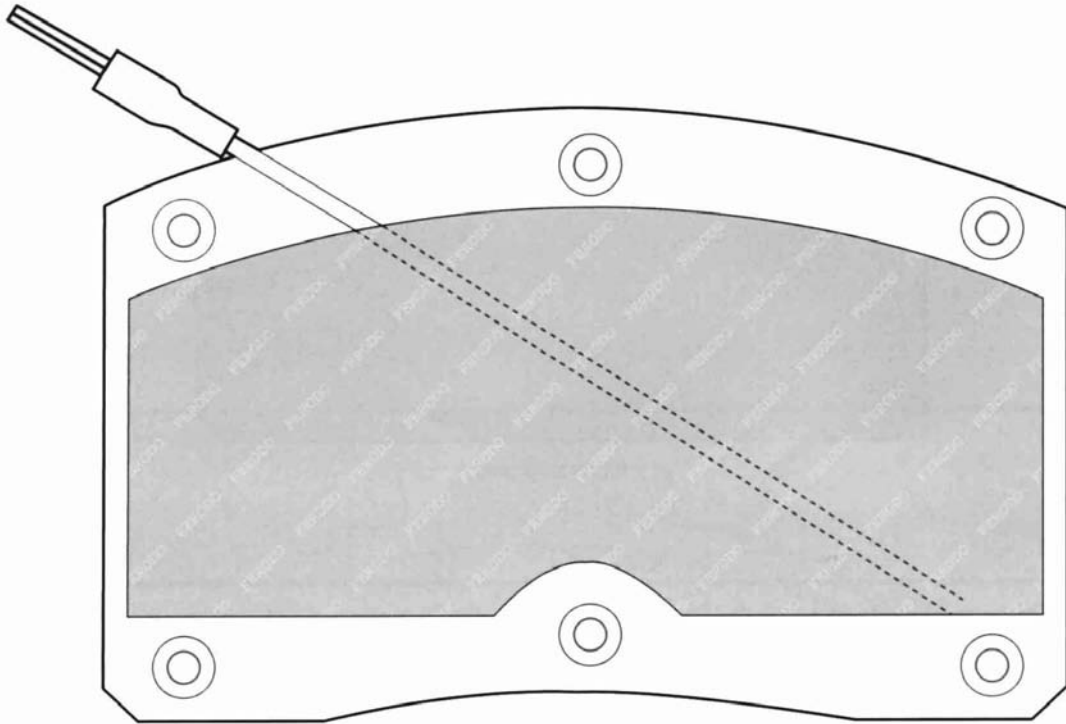
RENAULT



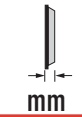
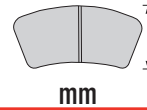
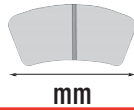
FDB24



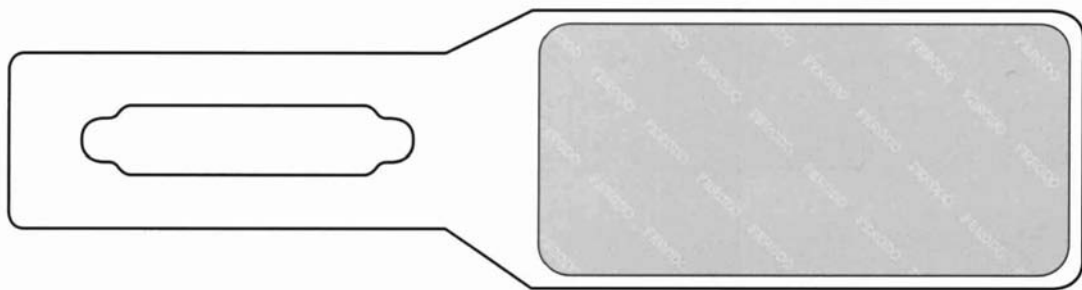
CITROEN




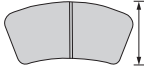

FDB26



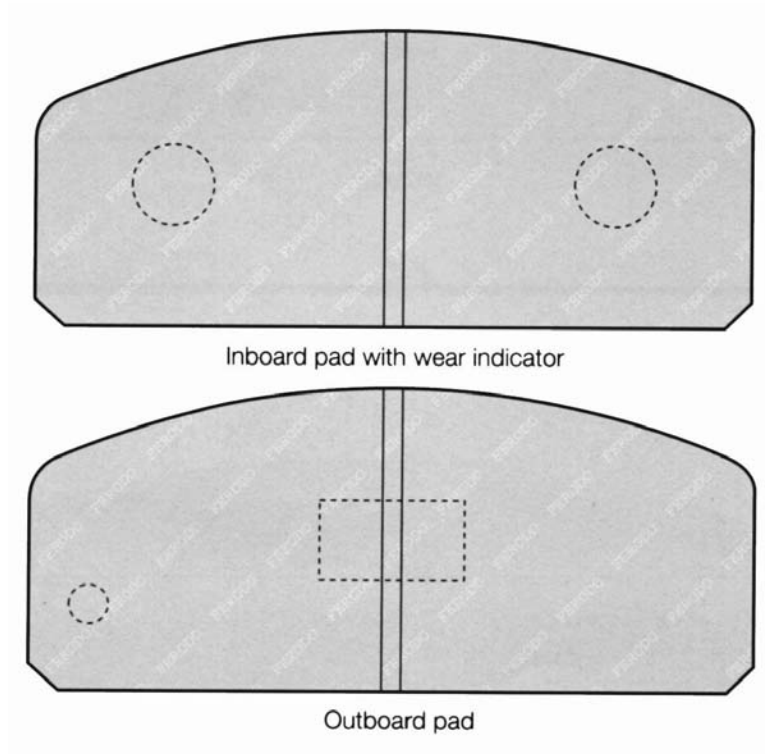
CITROEN




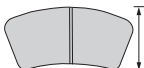

FDB28

			
Outer	95mm	40mm	13mm
Inner	95mm	40mm	14mm

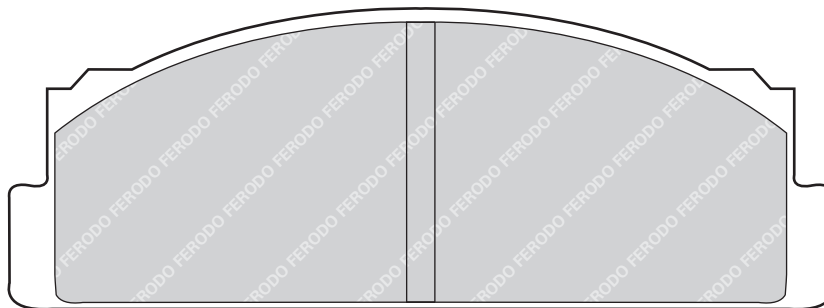
FORD



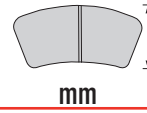
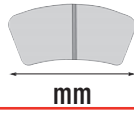
FDB29

		
109mm	39mm	17.5mm

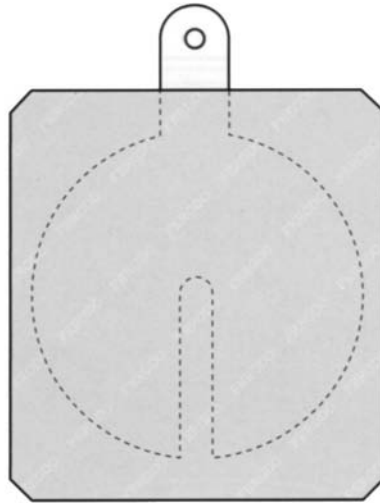
FIAT



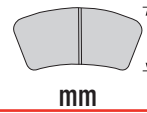
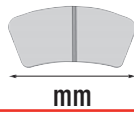
FDB30



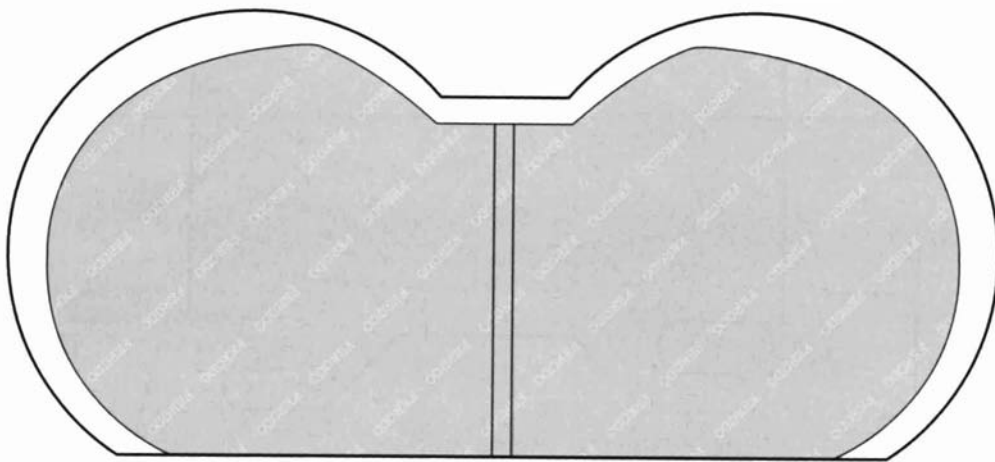
LANCIA



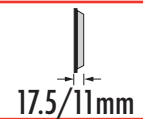
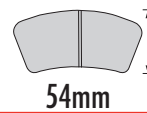
FDB32



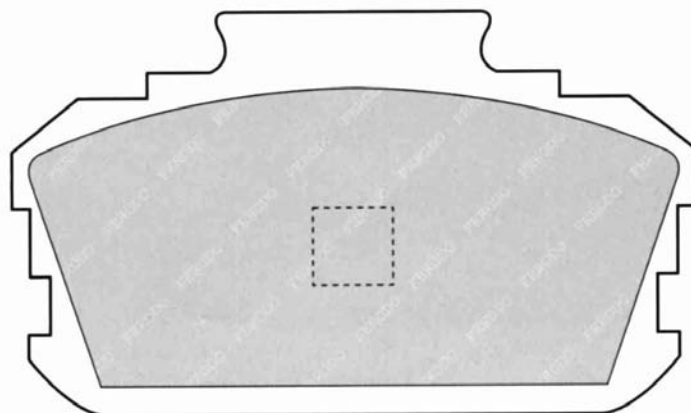
RAMBLER



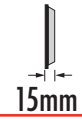
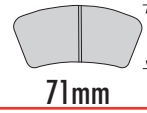
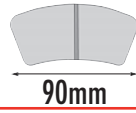
FDB33



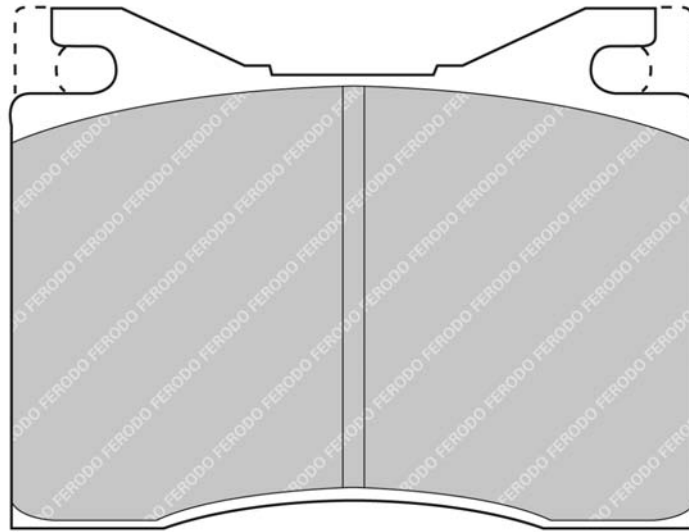
NISSAN



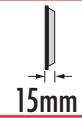
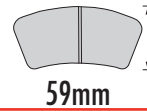
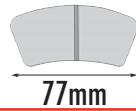
FDB34



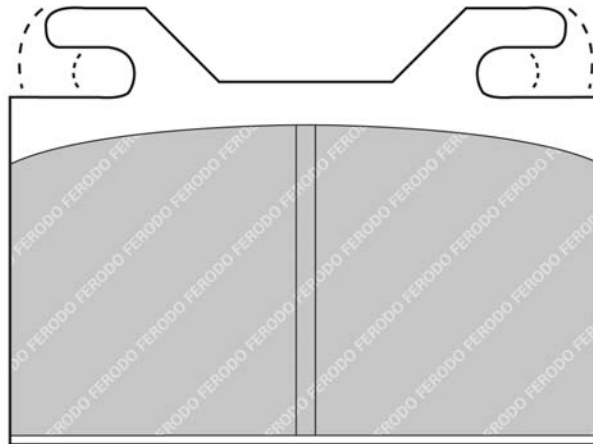
BMW, FERRARI



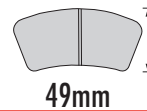
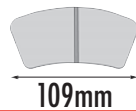
FDB35



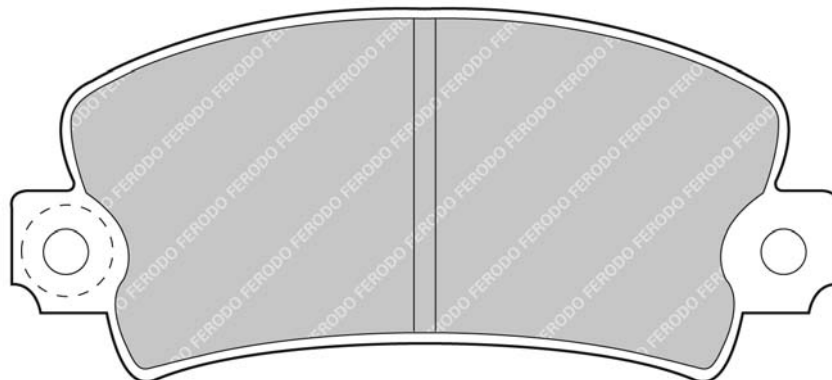
AUDI, BMW, FERRARI



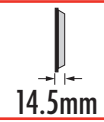
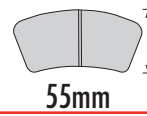
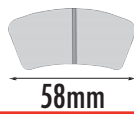
FDB36



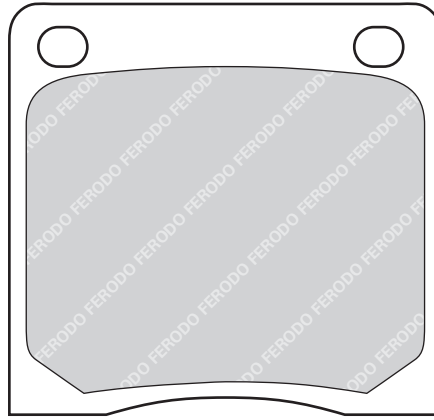
RENAULT



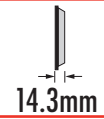
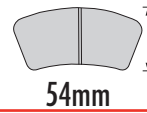
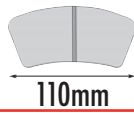
FDB39



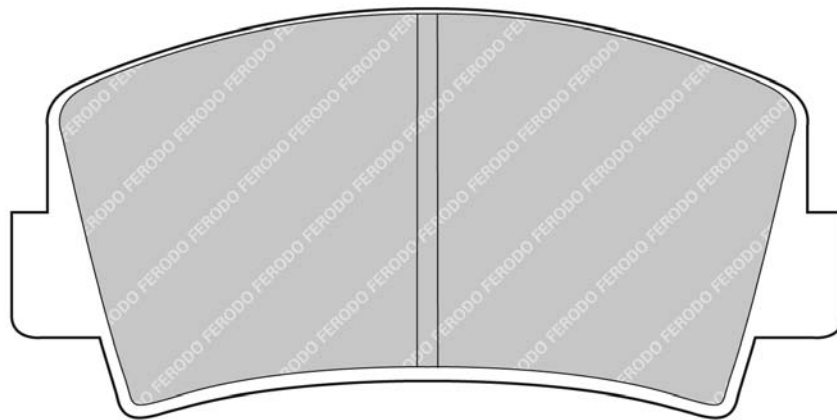
NISSAN, NISSAN COMM.



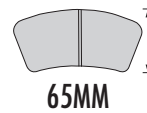
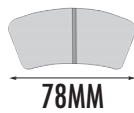
FDB40



MAZDA

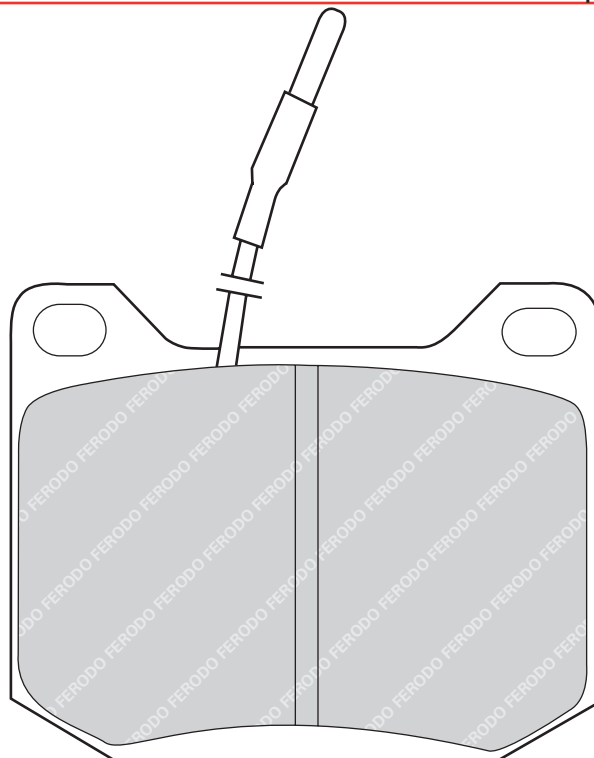


FDB42

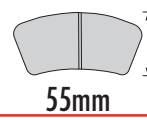
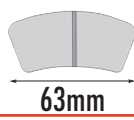


2 Wear indicator pads per set

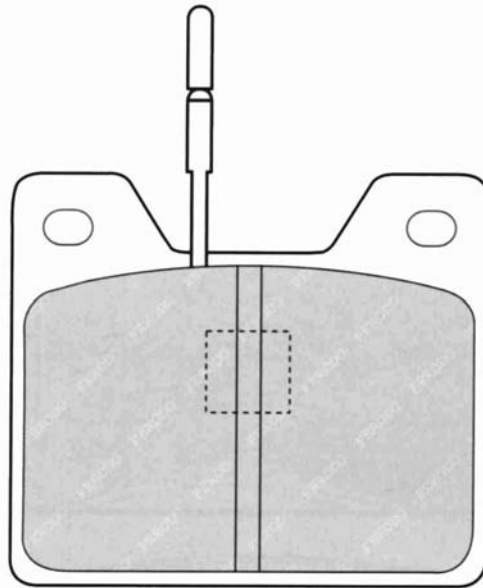
PEUGEOT



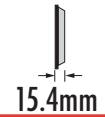
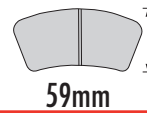
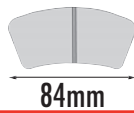
FDB43



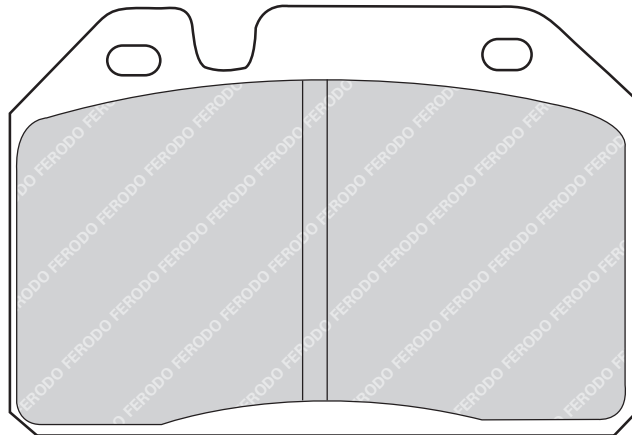
PEUGEOT



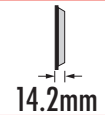
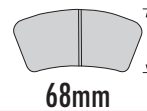
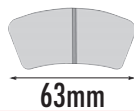
FDB46



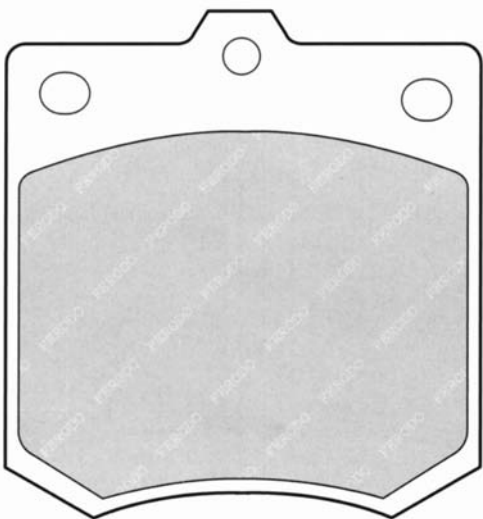
PEUGEOT



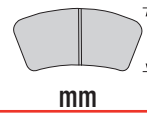
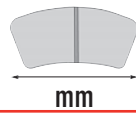
FDB54



TOYOTA

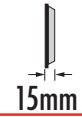
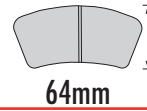
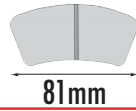


FDB56

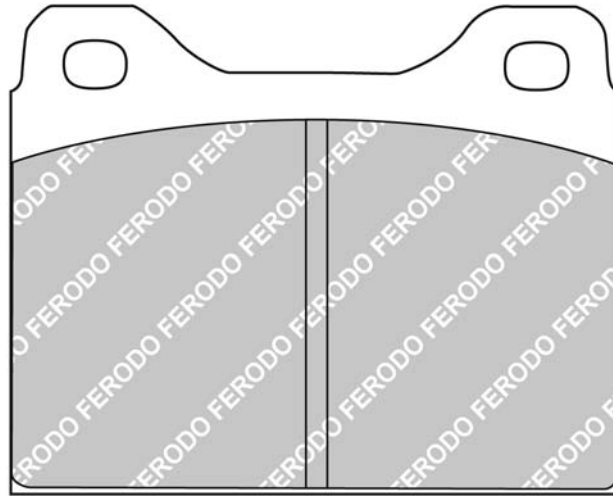


NO ILLUSTRATION AVAILABLE

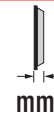
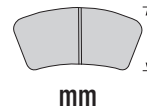
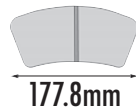
FDB62



VOLVO



FDB68



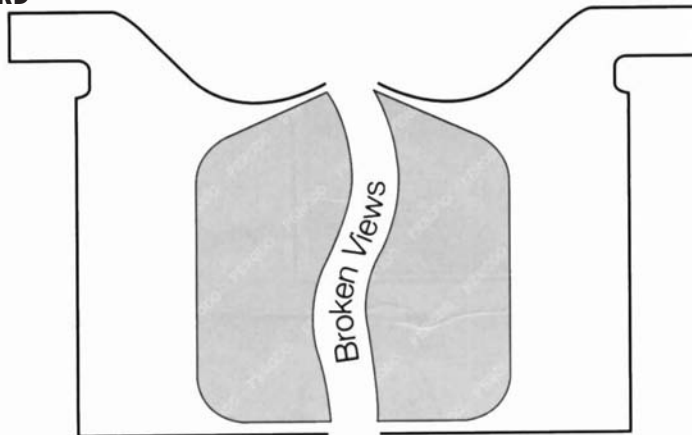
Outer
Inner

177.8mm
182.9mm

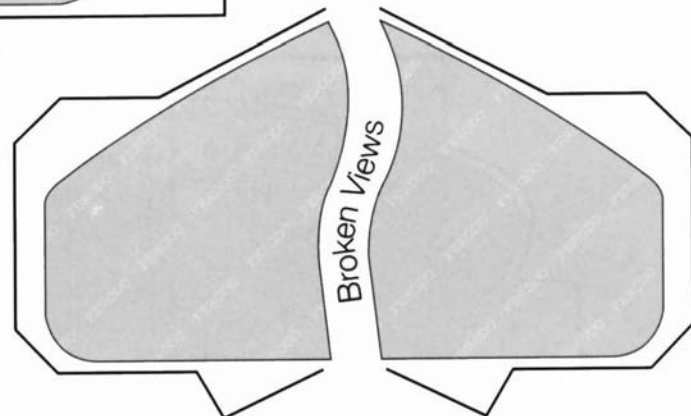
mm

mm

FORD

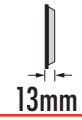
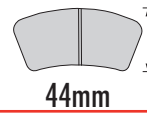
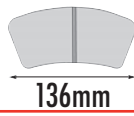


INNER

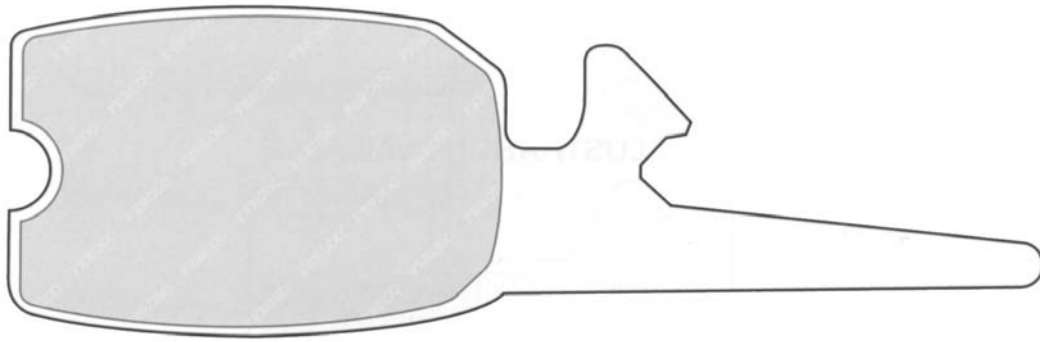


OUTER

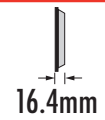
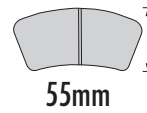
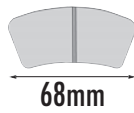
FDB69



CITROEN

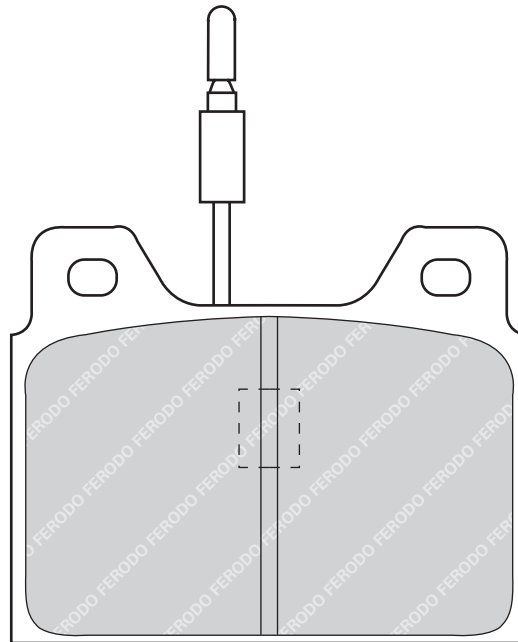


FDB71

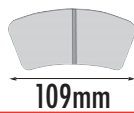


2 Wear Indicator pads per set

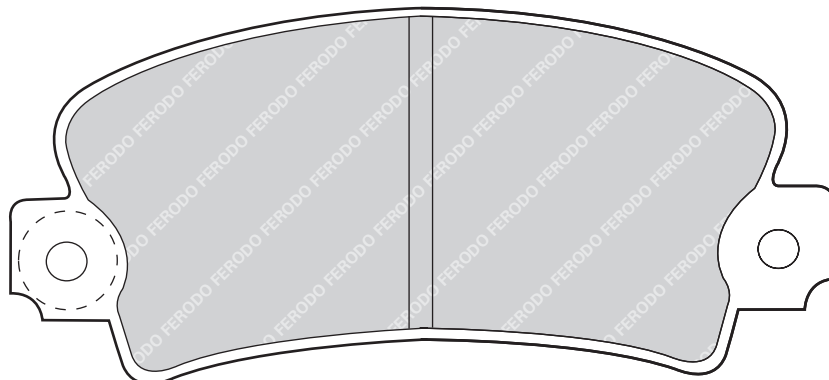
PEUGEOT



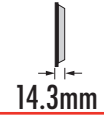
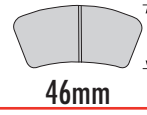
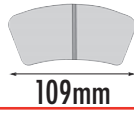
FDB72



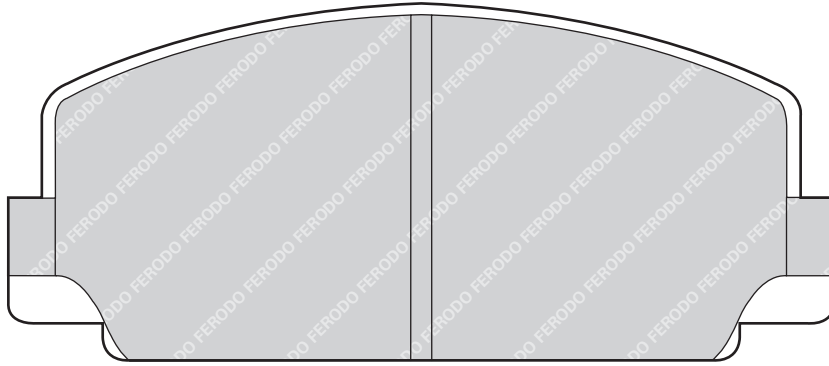
RENAULT



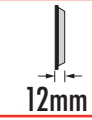
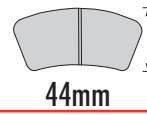
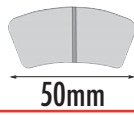
FDB77



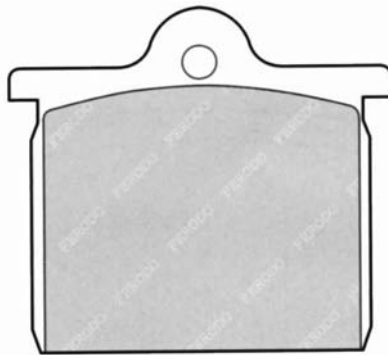
TOYOTA



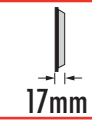
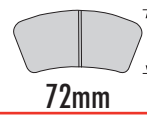
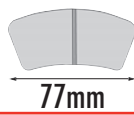
FDB81



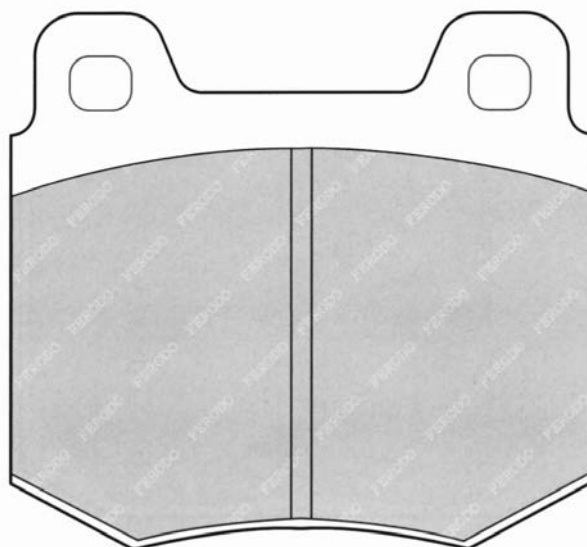
CITROEN



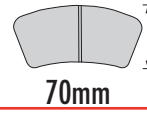
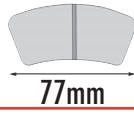
FDB83



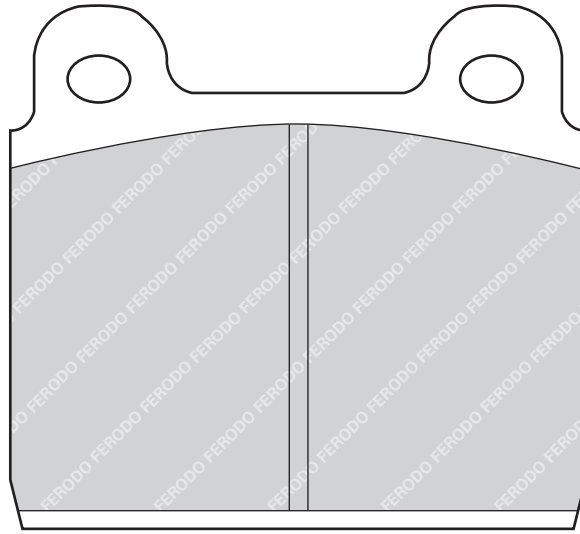
AUDI, FORD



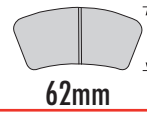
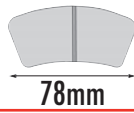
FDB84



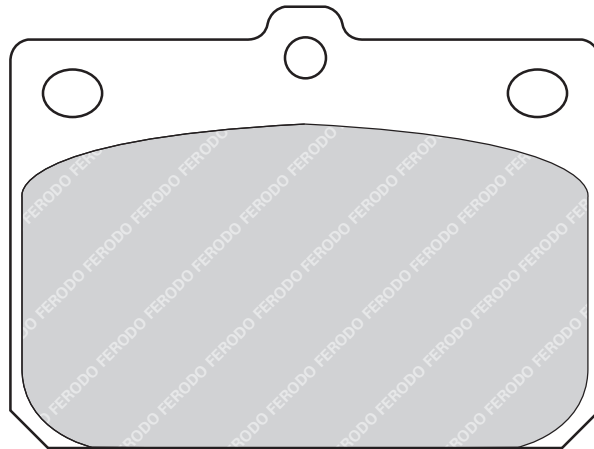
PORSCHE, VOLKSWAGEN COMM.



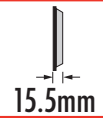
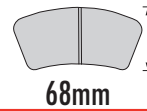
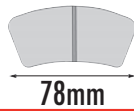
FDB85



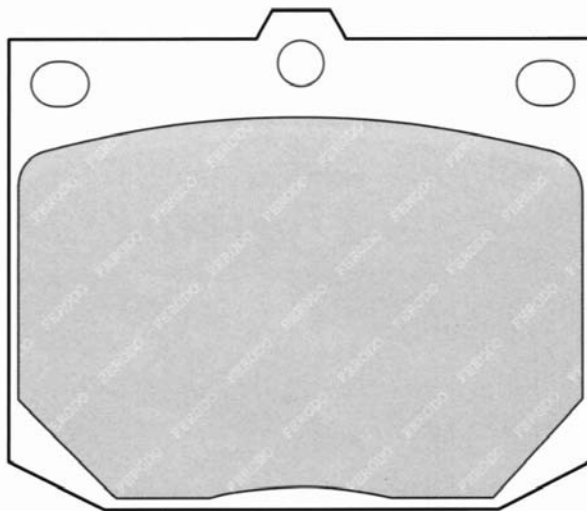
COLT



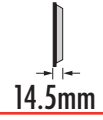
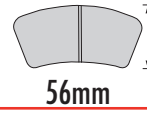
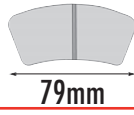
FDB86



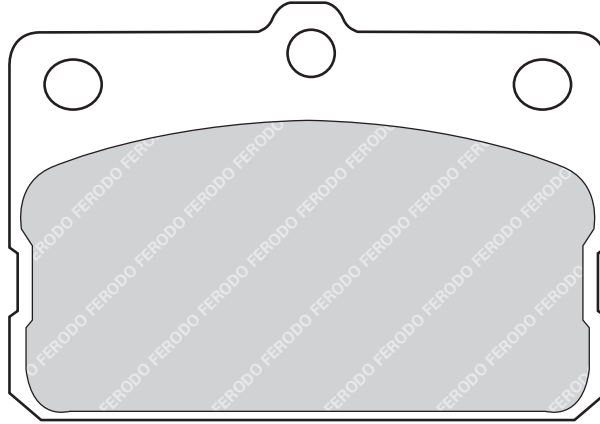
NISSAN



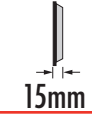
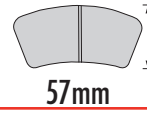
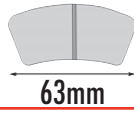
FDB87



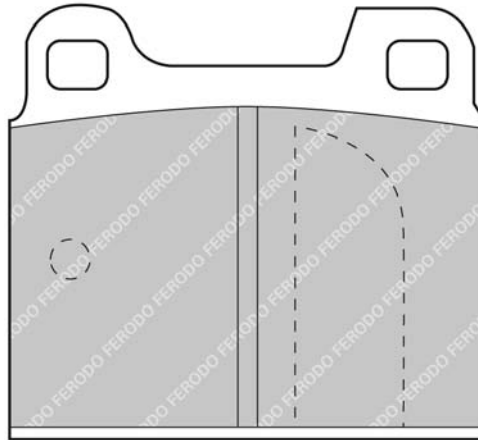
TOYOTA COMM.



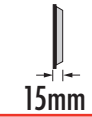
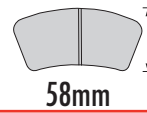
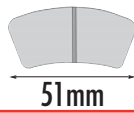
FDB91



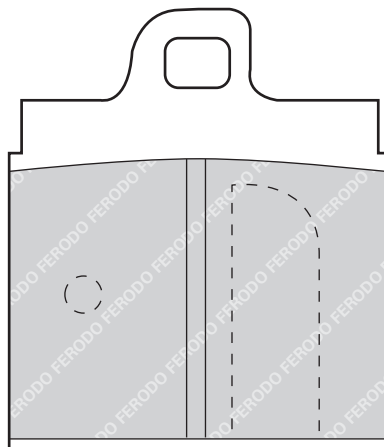
ALFA ROMEO, FERRARI



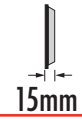
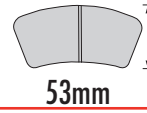
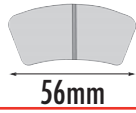
FDB92



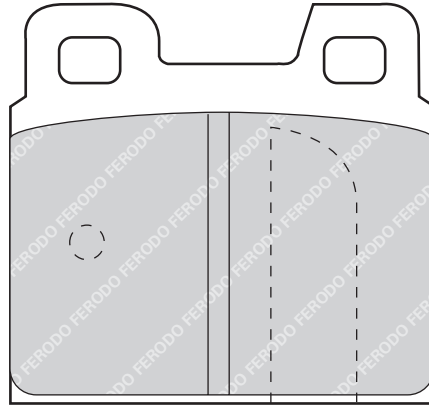
ALFA ROMEO



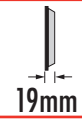
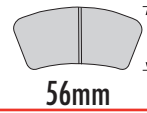
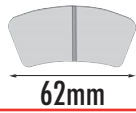
FDB93



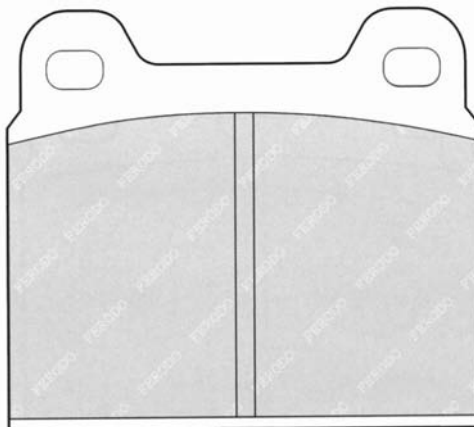
ALFA ROMEO, PORSCHE



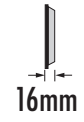
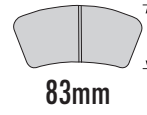
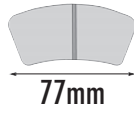
FDB94



VOLKSWAGEN

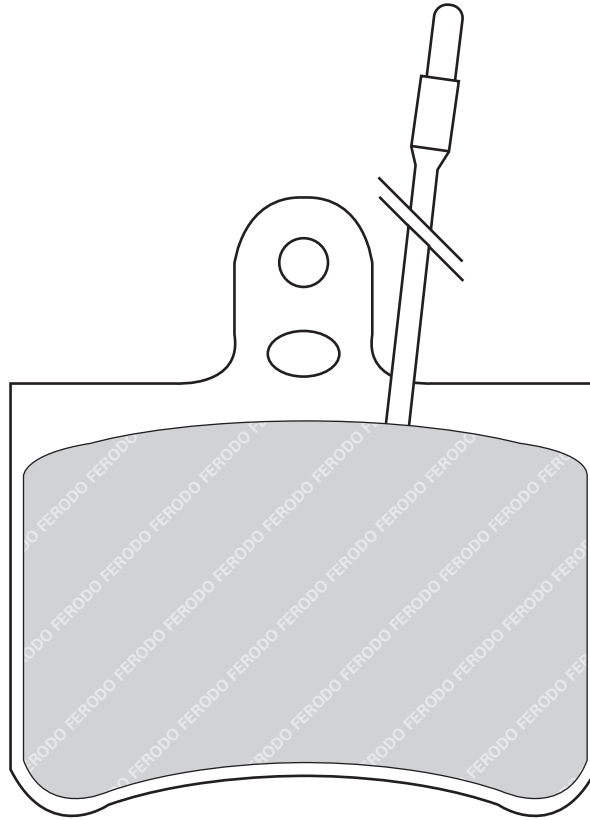


FDB98

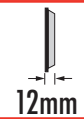
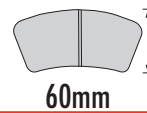
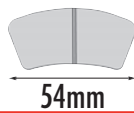


4 Wear Indicator pads per set

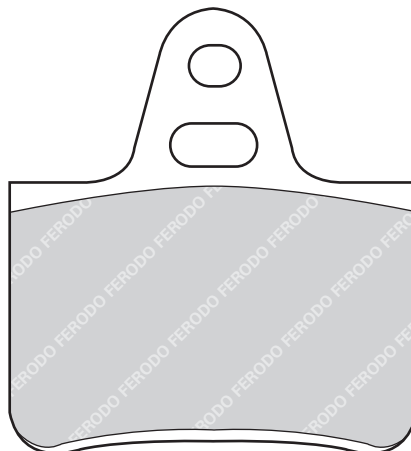
CITROEN



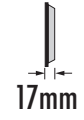
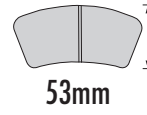
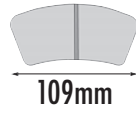
FDB99



CITROEN

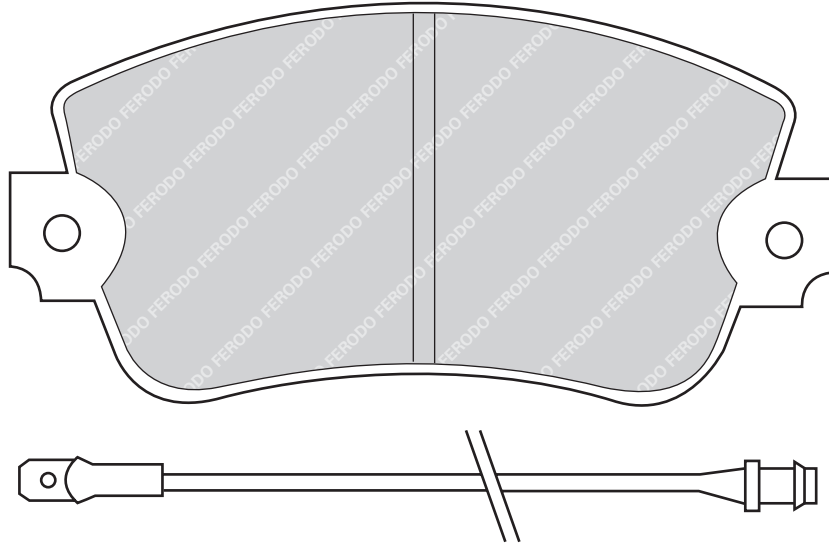


FDB101

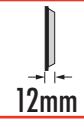
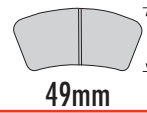
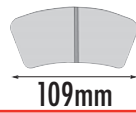


2 Wear Indicator pads per set (Supplied Loose)

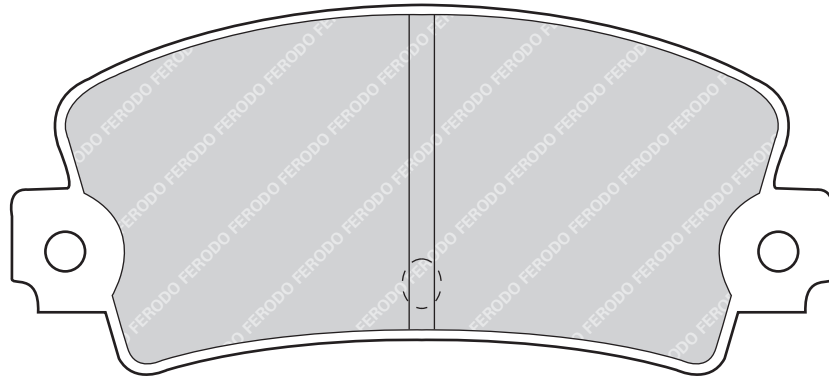
LANCIA



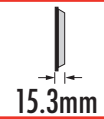
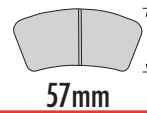
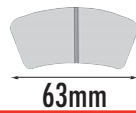
FDB102



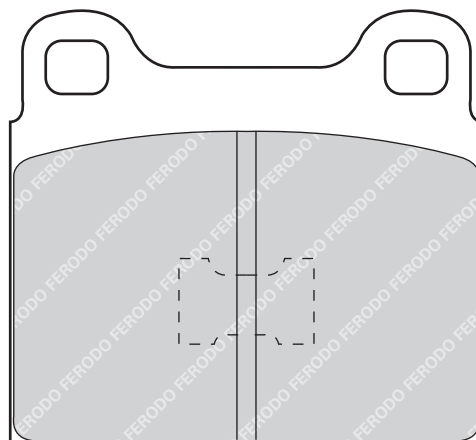
LANCIA



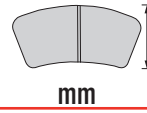
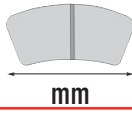
FDB105



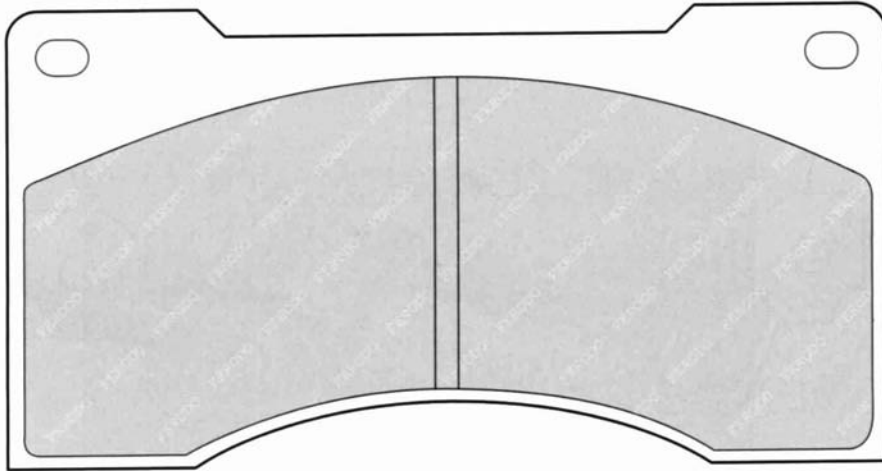
VOLKSWAGEN



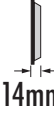
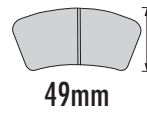
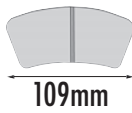
FDB 111



LAMBORGHINI

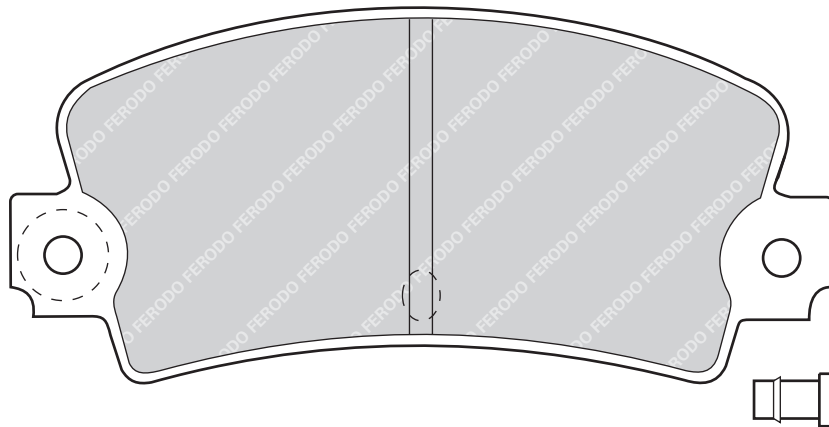


FDB 114

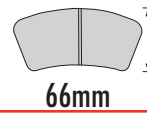
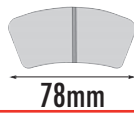


2 Wear Indicator pads per set (Supplied Loose)

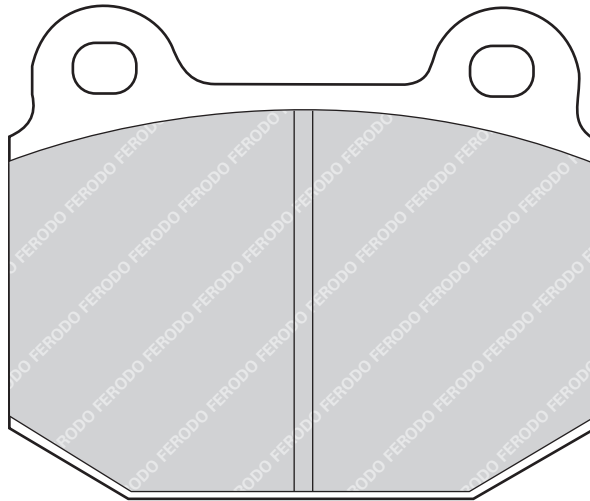
RENAULT



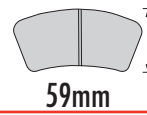
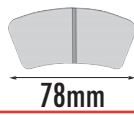
FDB116



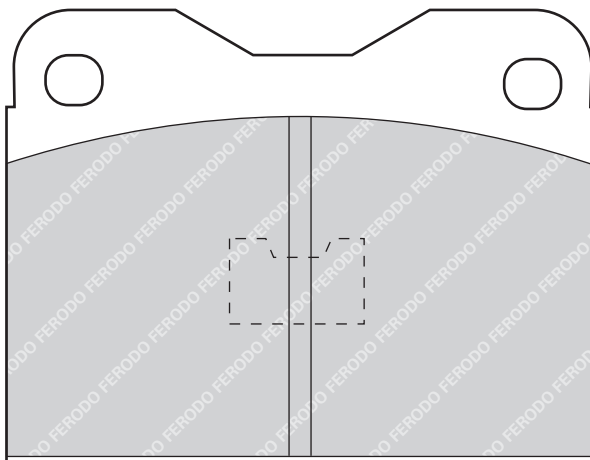
ALFA ROMEO, LOTUS



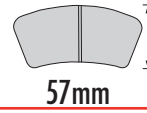
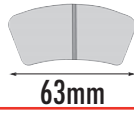
FDB123



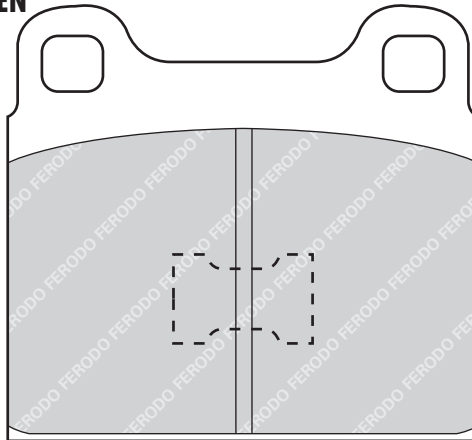
AUDI



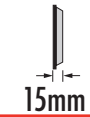
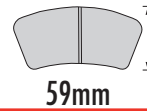
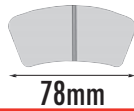
FDB 128



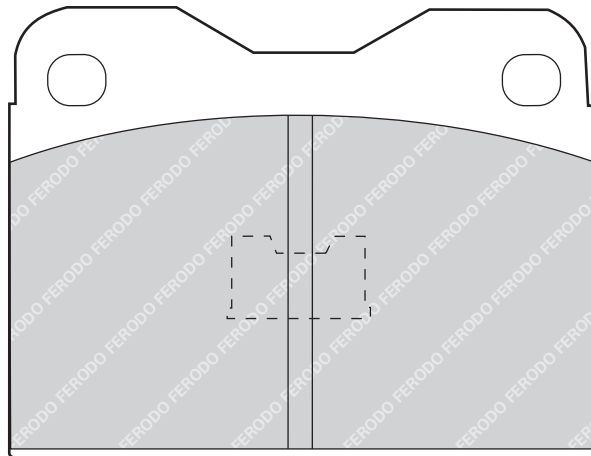
AUDI, CHEVROLET, OPEL, TOYOTA,
TOYOTA COMM., VOLKSWAGEN



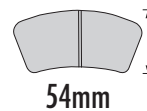
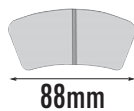
FDB 130



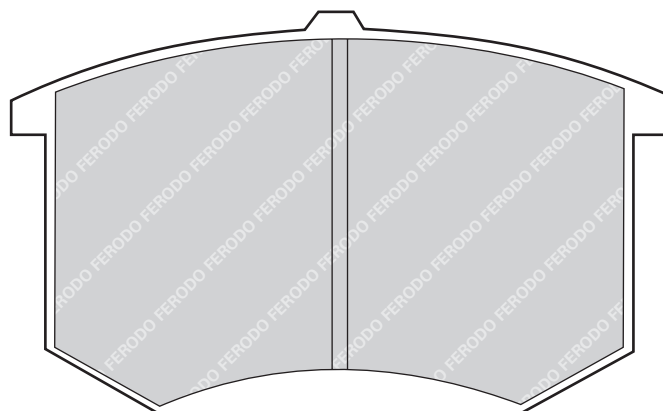
PEUGEOT



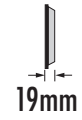
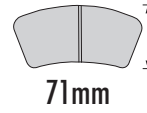
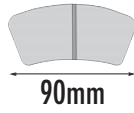
FDB 141



LOTUS

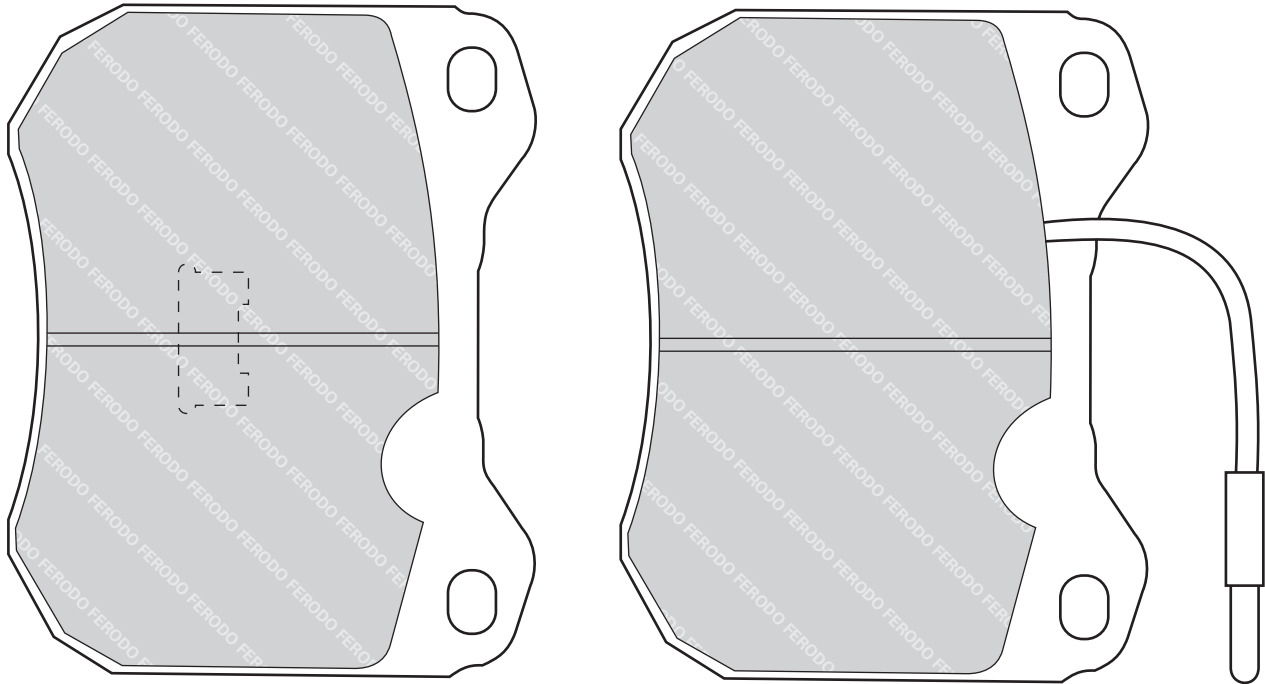


FDB 142

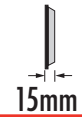
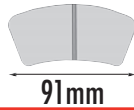


2 Wear Indicator pads per set

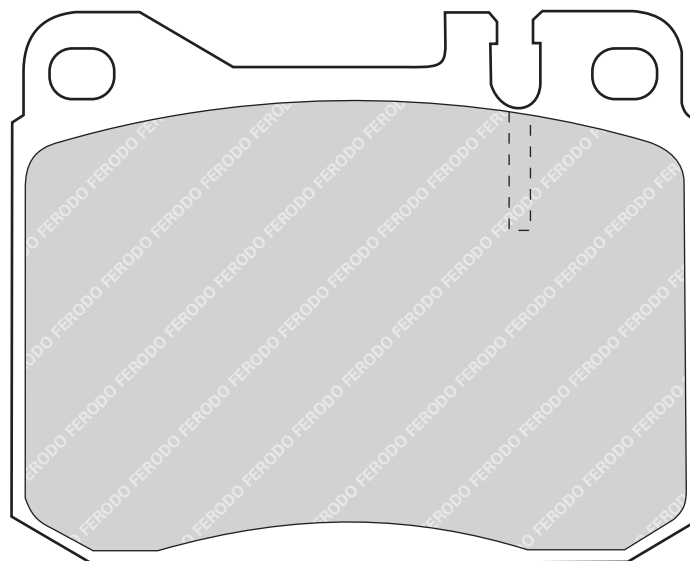
PEUGEOT



FDB 143



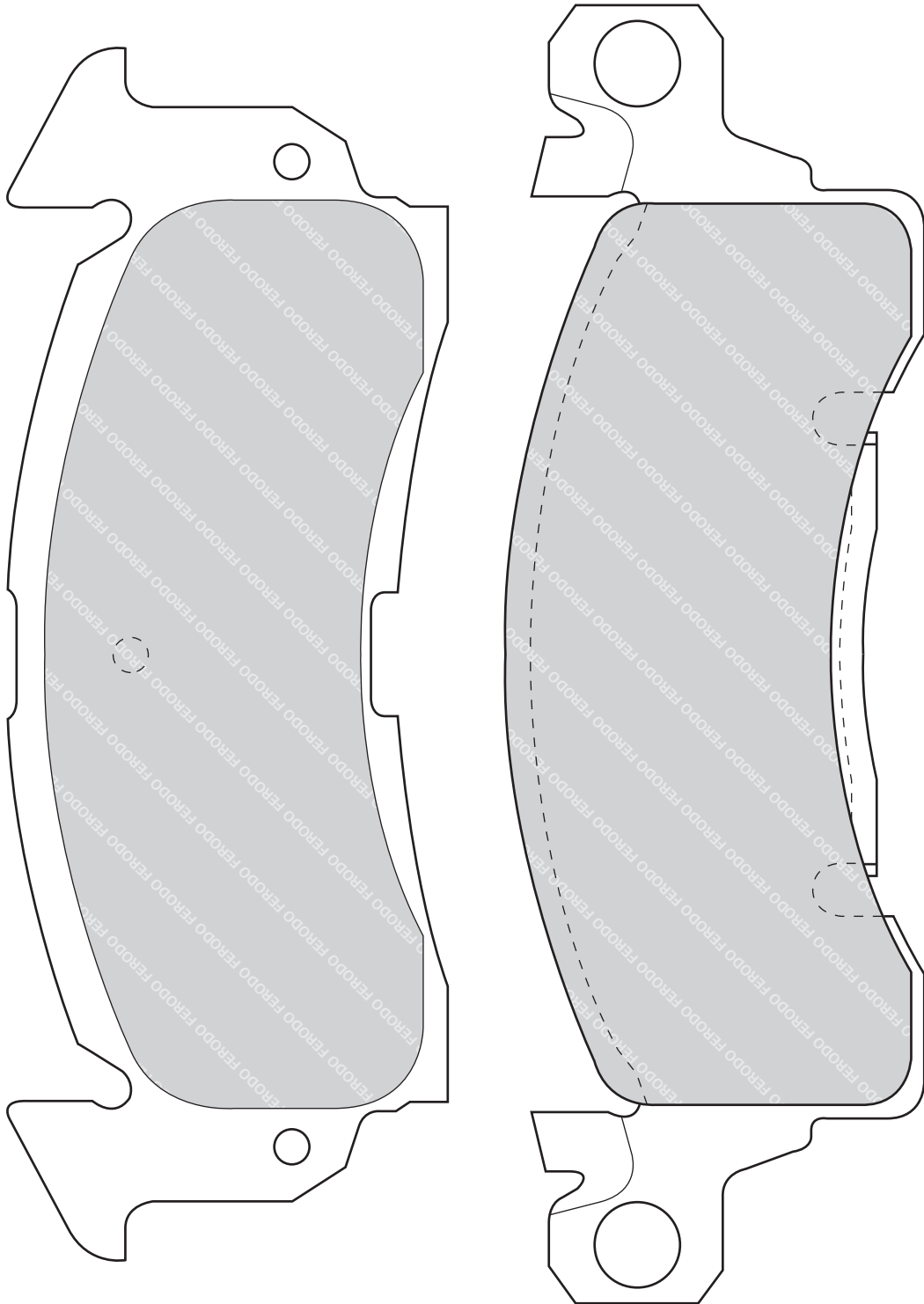
MERCEDES BENZ



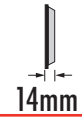
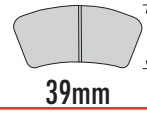
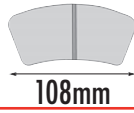
FDB 144

Outer	183mm	66mm	14.8mm
Inner	194mm	58mm	13.5mm

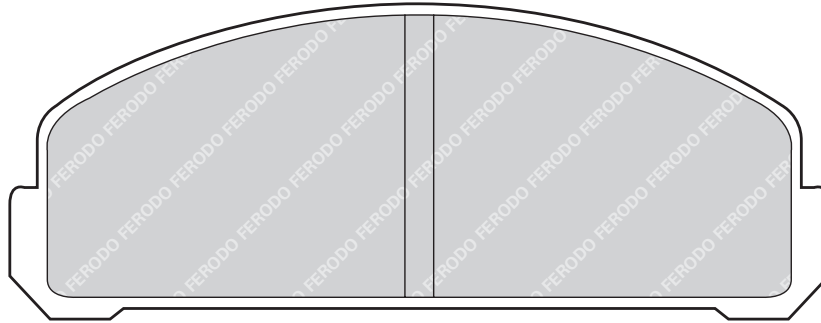
CHEVROLET, CHEVROLET COMM.



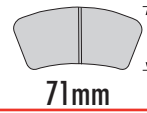
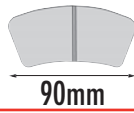
FDB 153



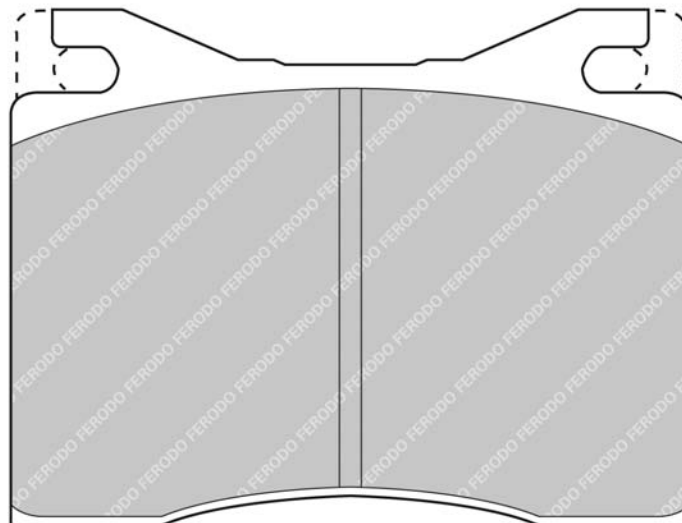
MAZDA



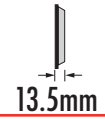
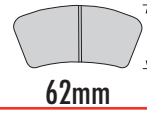
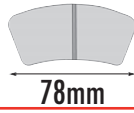
FDB 154



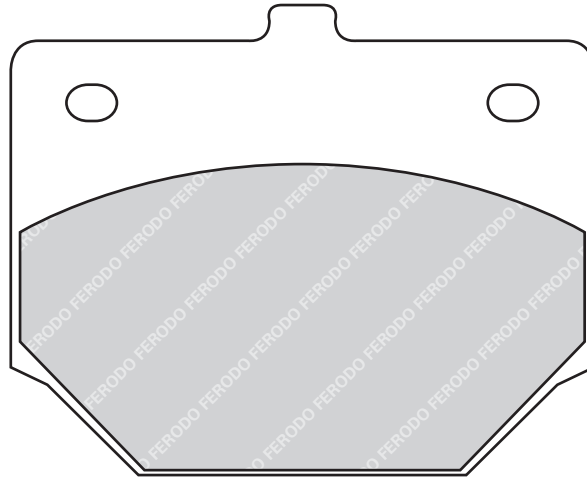
LAMBORGHINI



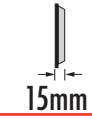
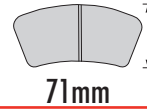
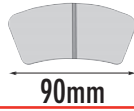
FDB 159



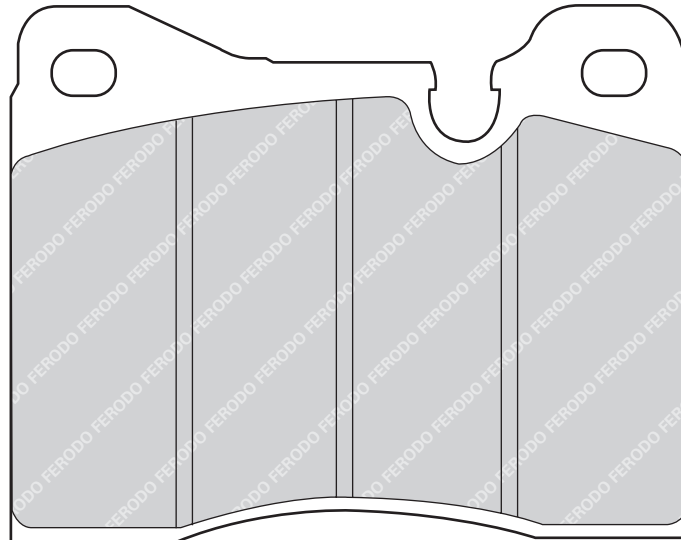
DAIHATSU



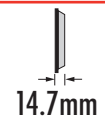
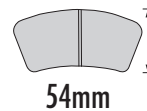
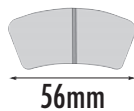
FDB 161



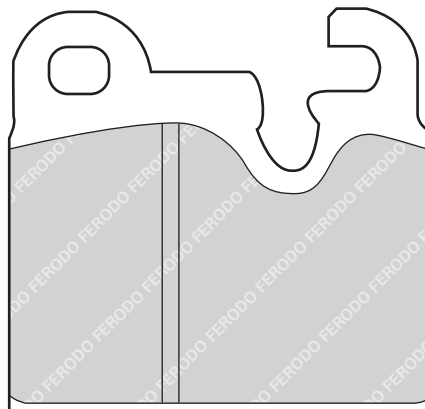
ALFA ROMEO



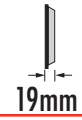
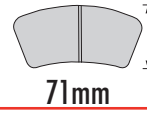
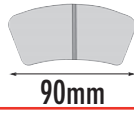
FDB 162



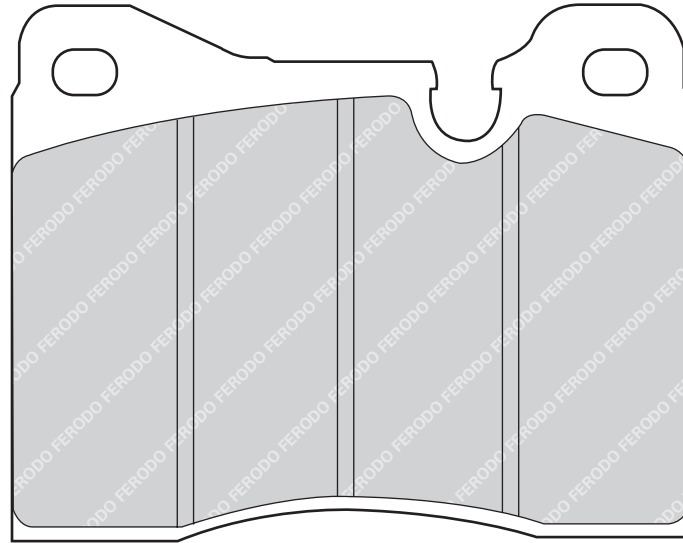
BMW



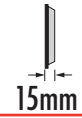
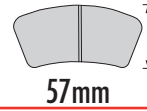
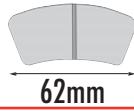
FDB163



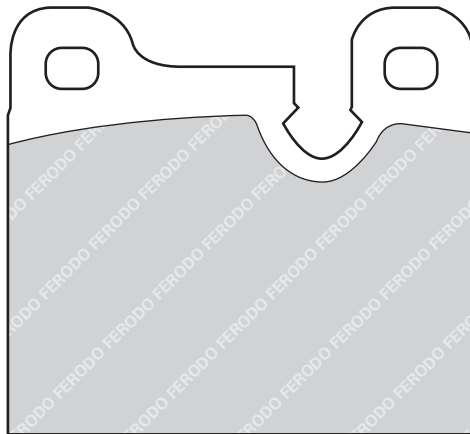
BMW



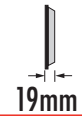
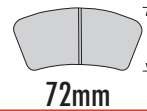
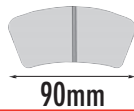
FDB164



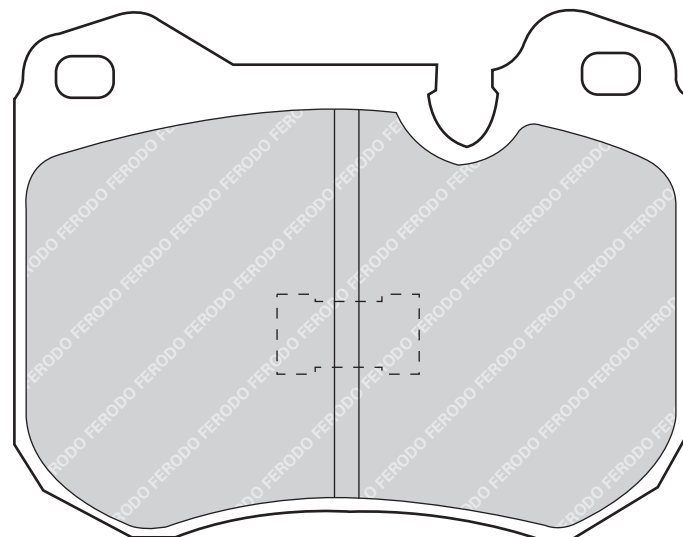
ALFA ROMEO, BMW, PORSCHE



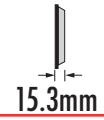
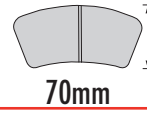
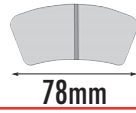
FDB165



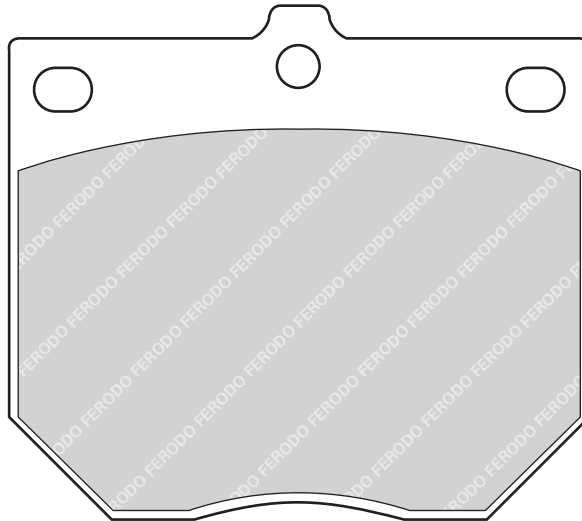
PORSCHE



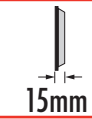
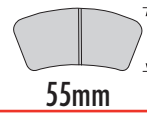
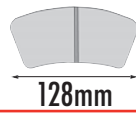
FDB 169



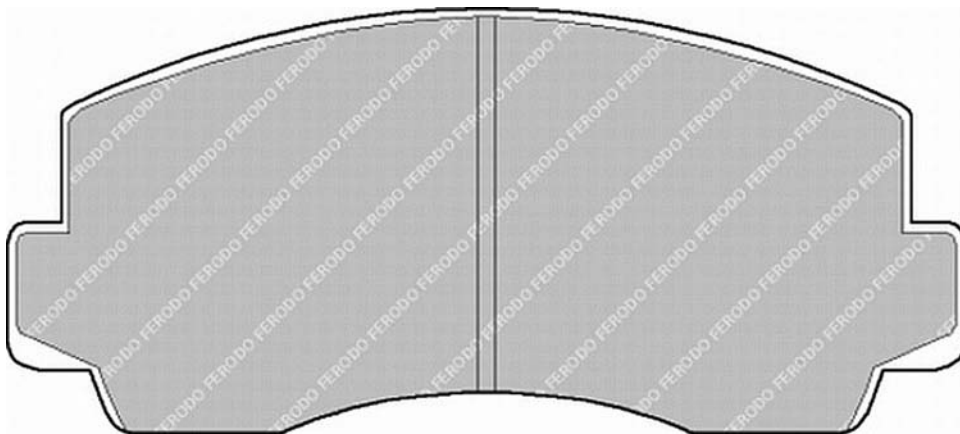
NISSAN COMM.



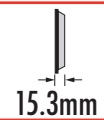
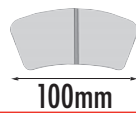
FDB 170



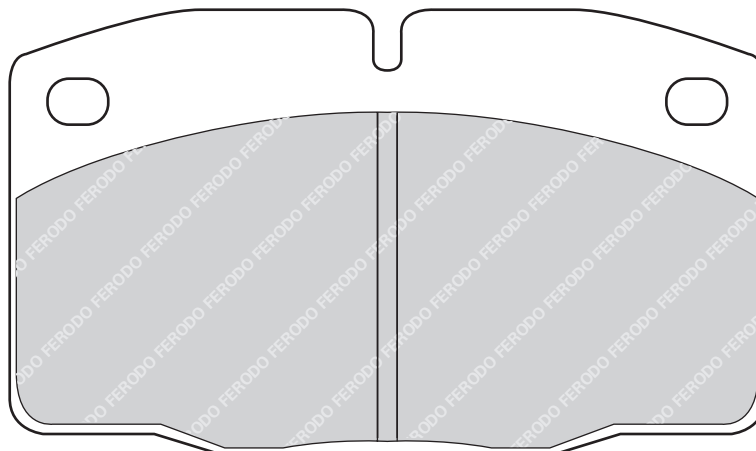
ASIA MOTORS, FORD COMM., MITSUBISHI COMM.



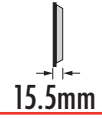
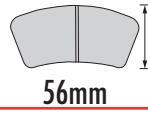
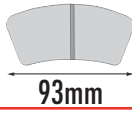
FDB 173



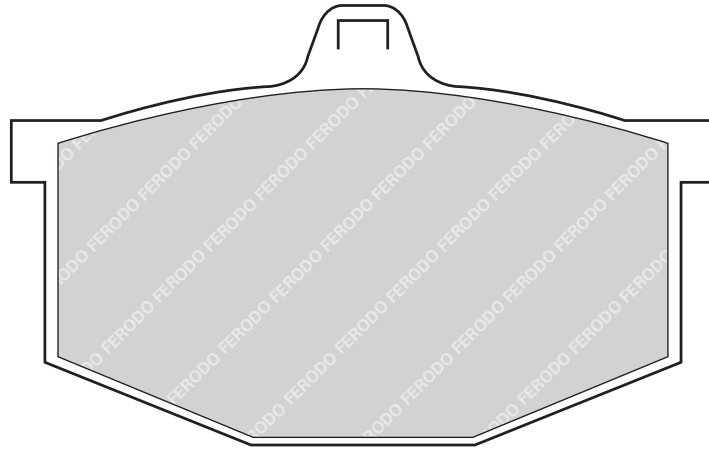
OPEL, DAEWOO



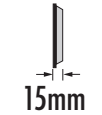
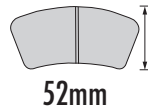
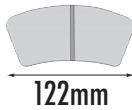
FDB 176



RENAULT



FDB 186



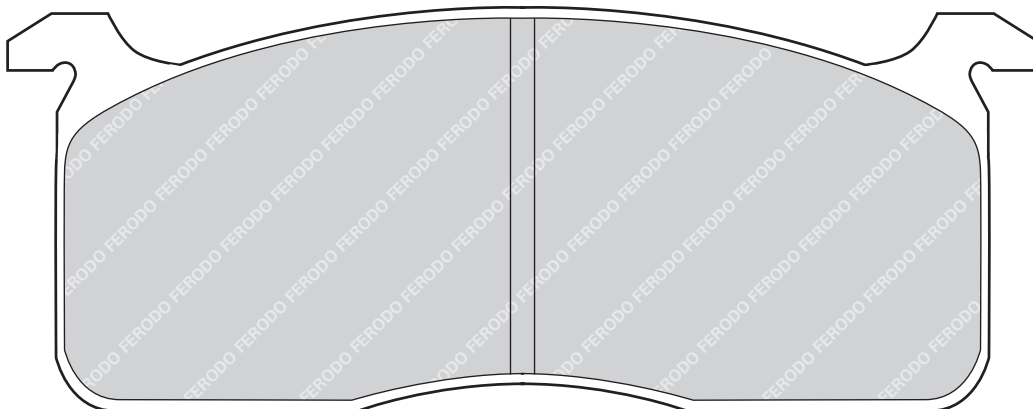
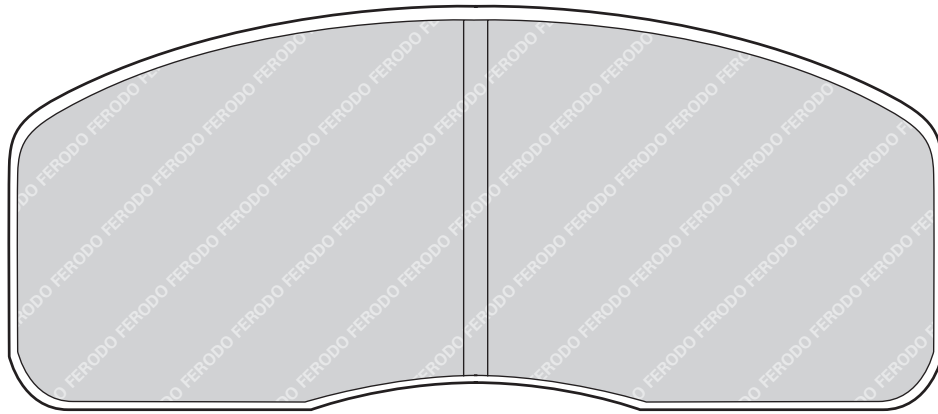
Outer
Inner

122mm
135mm

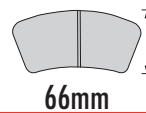
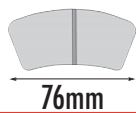
52mm
52mm

15mm
15mm

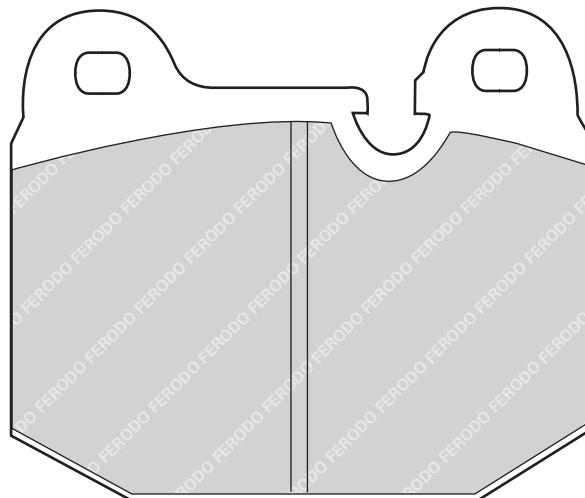
TOYOTA COMM.



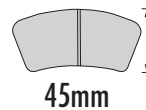
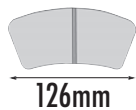
FDB192



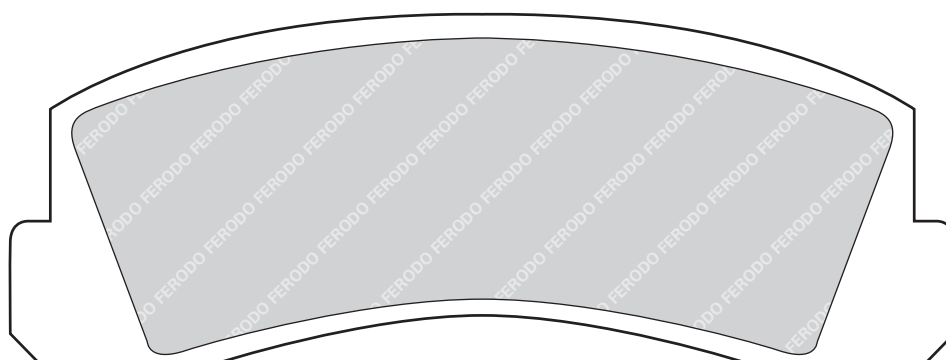
BMW



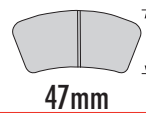
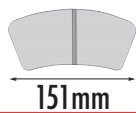
FDB195



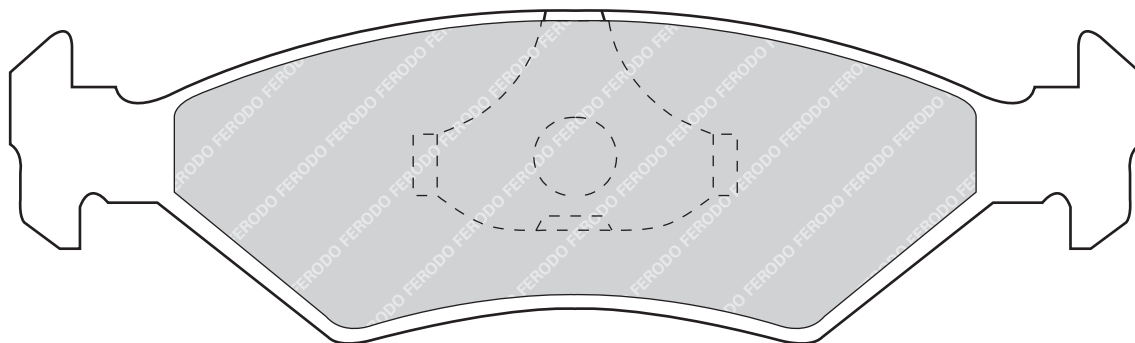
LADA



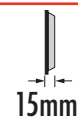
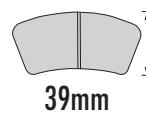
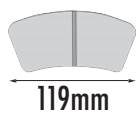
FDB206



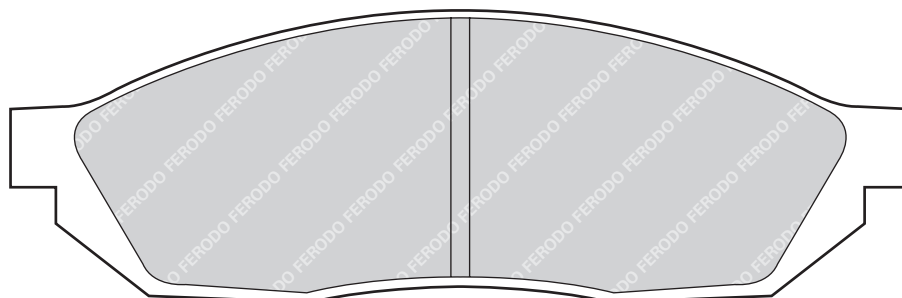
FORD COMM., MAZDA, OPEL



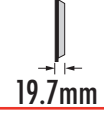
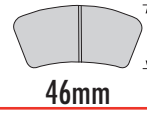
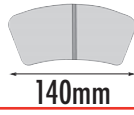
FDB208



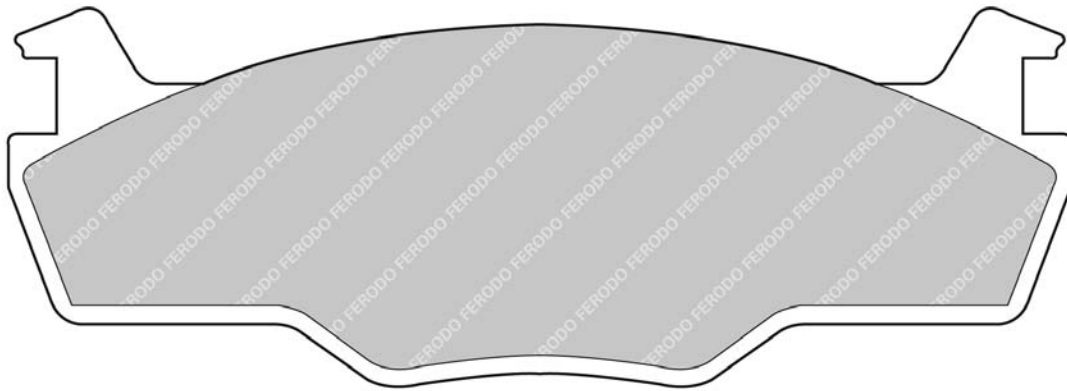
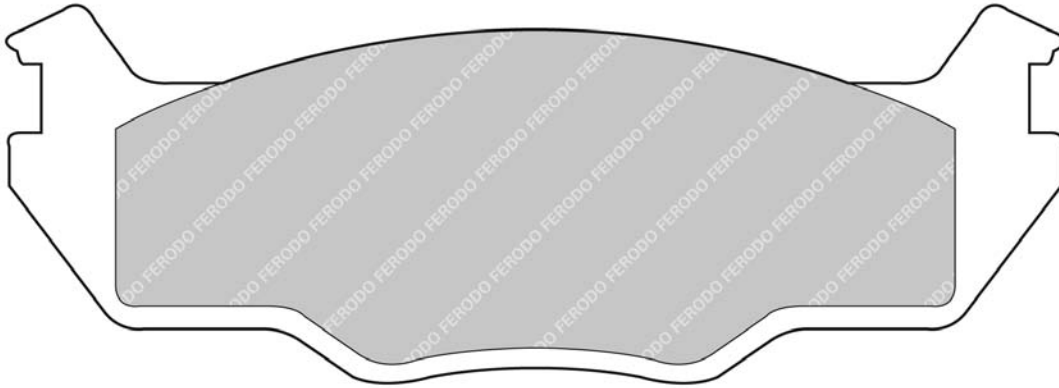
HONDA



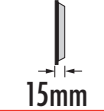
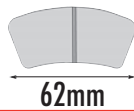
FDB209



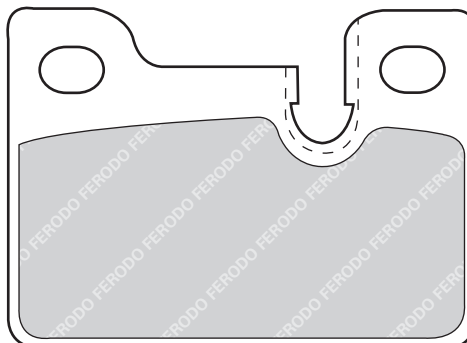
VOLKSWAGEN



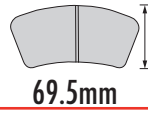
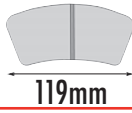
FDB210



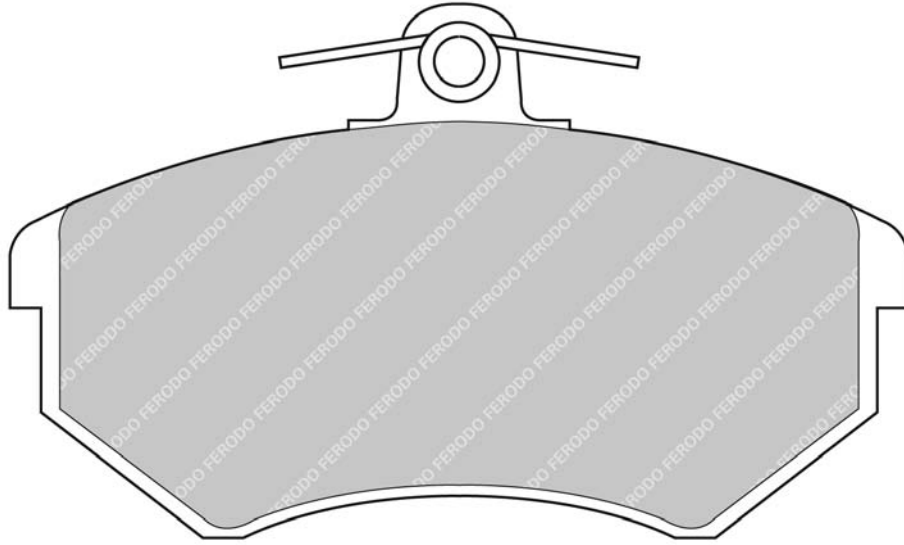
BMW



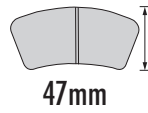
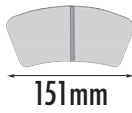
FDB211



AUDI

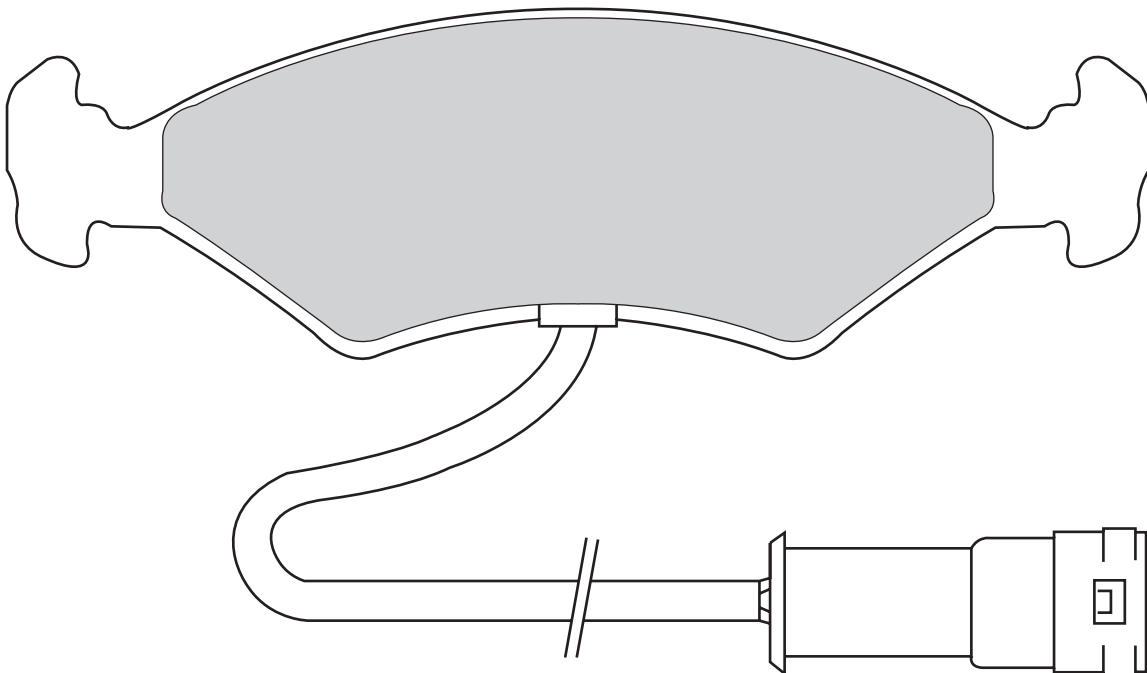


FDB212

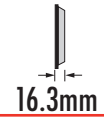
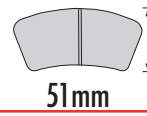
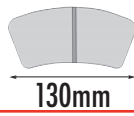


2 Wear Indicator pads per set

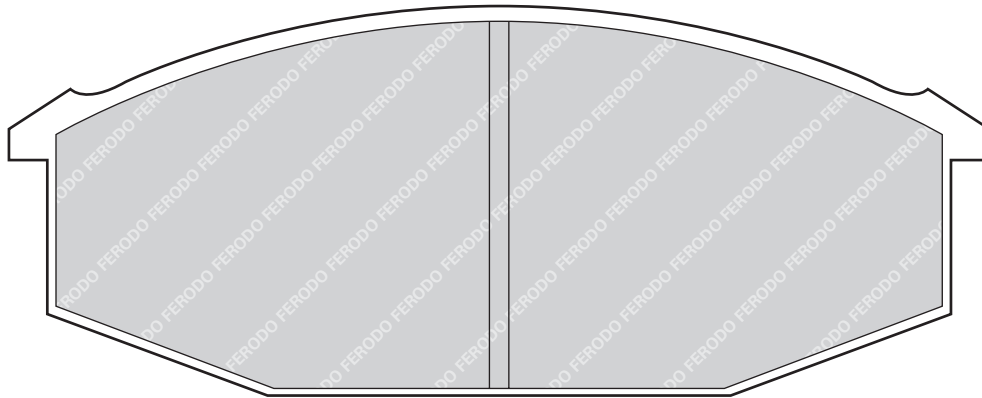
FORD



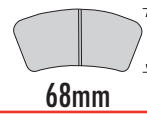
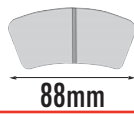
FDB215



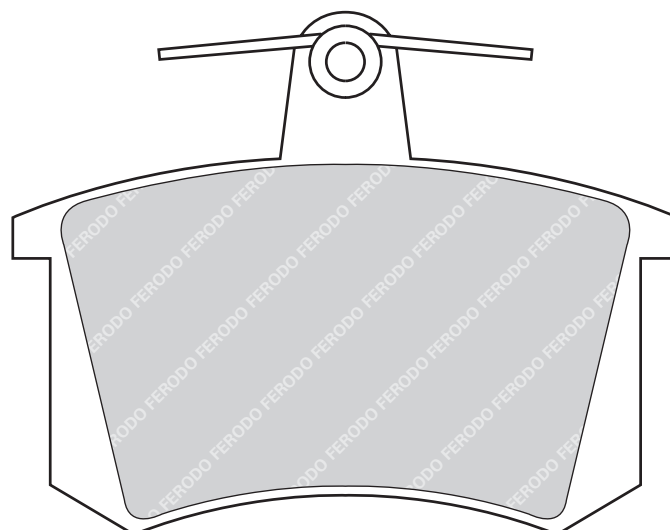
NISSAN



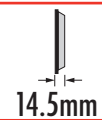
FDB222



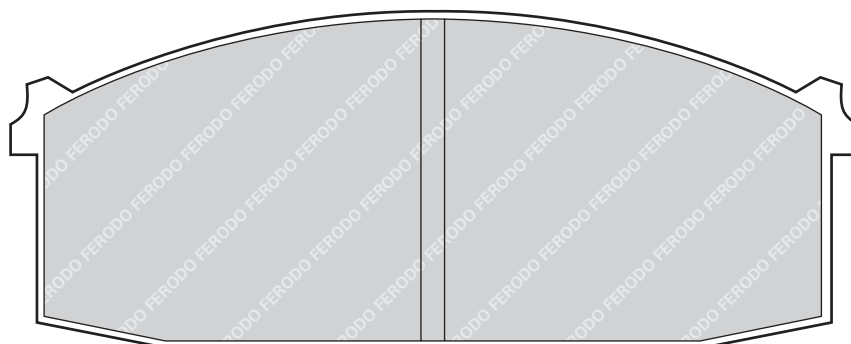
ALFA ROMEO, AUDI, LANCIA, VOLKSWAGEN



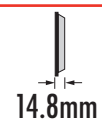
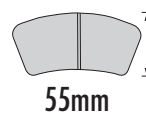
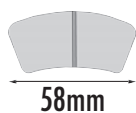
FDB225



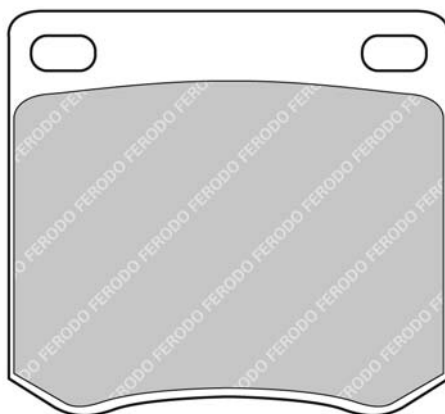
NISSAN



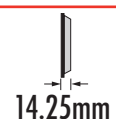
FDB228



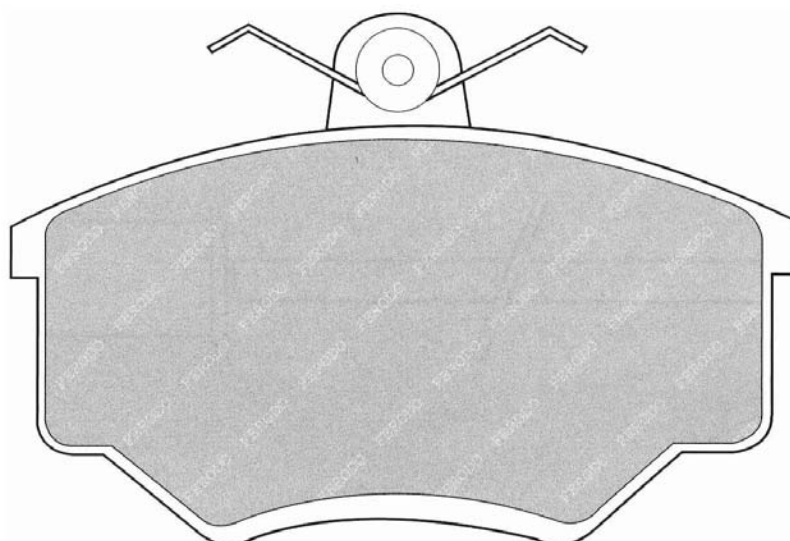
NISSAN



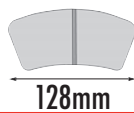
FDB229



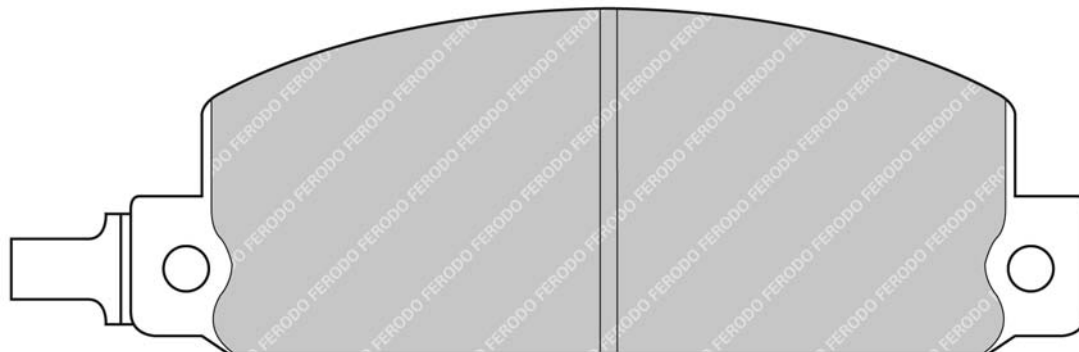
RENAULT



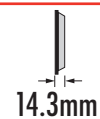
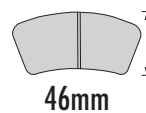
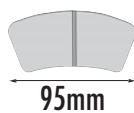
FDB234



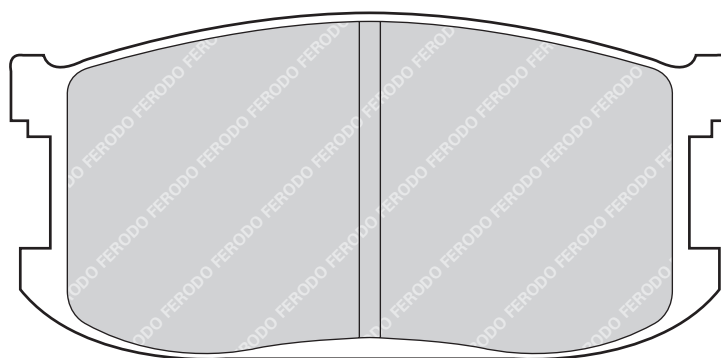
ISUZU



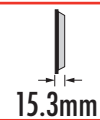
FDB241



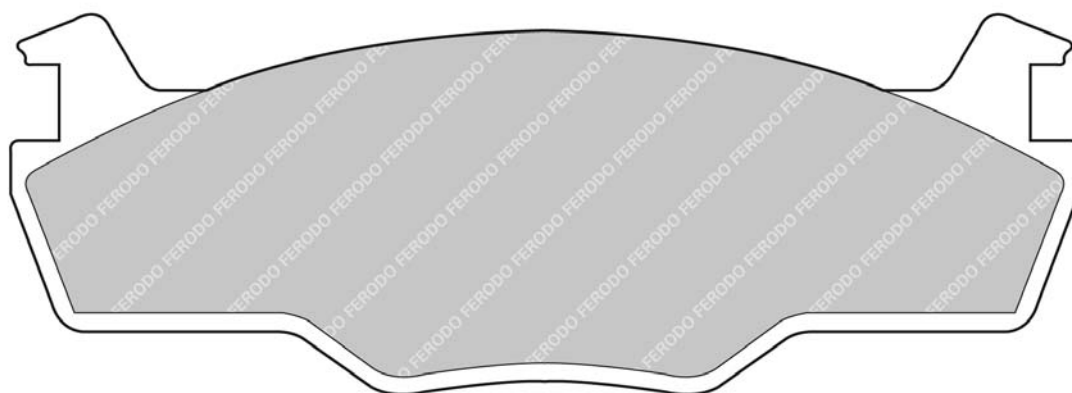
MAZDA



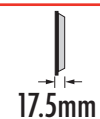
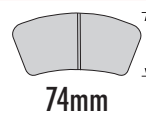
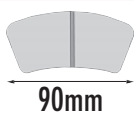
FDB242



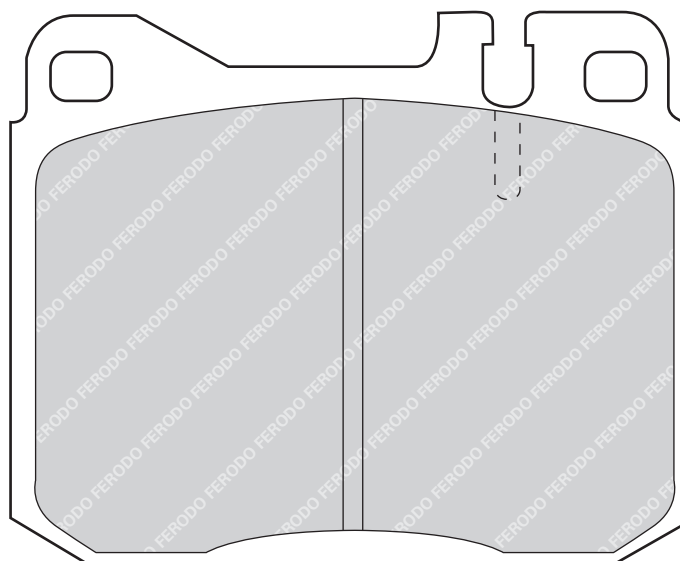
VOLKSWAGEN



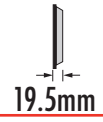
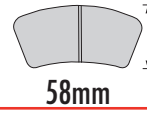
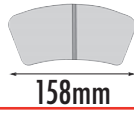
FDB243



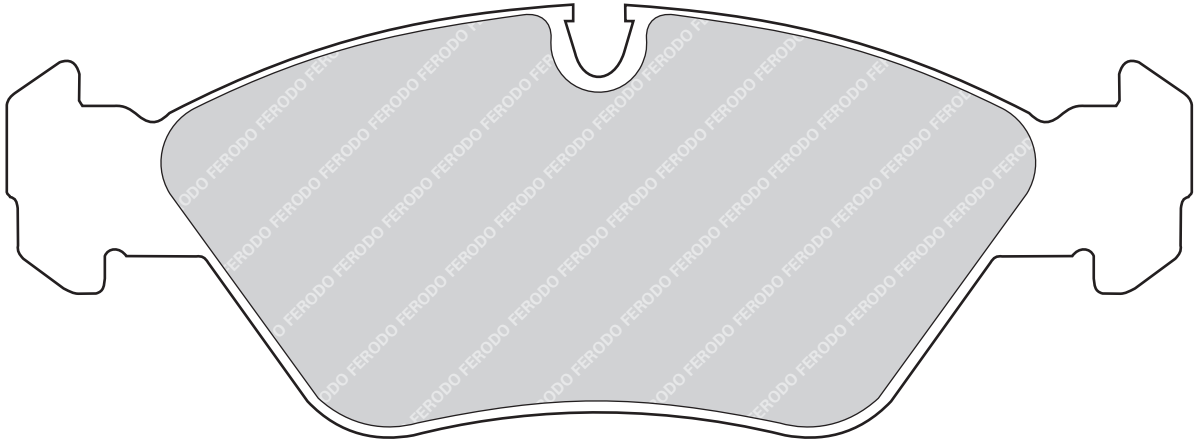
MERCEDES BENZ



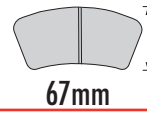
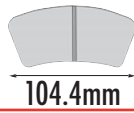
FDB256



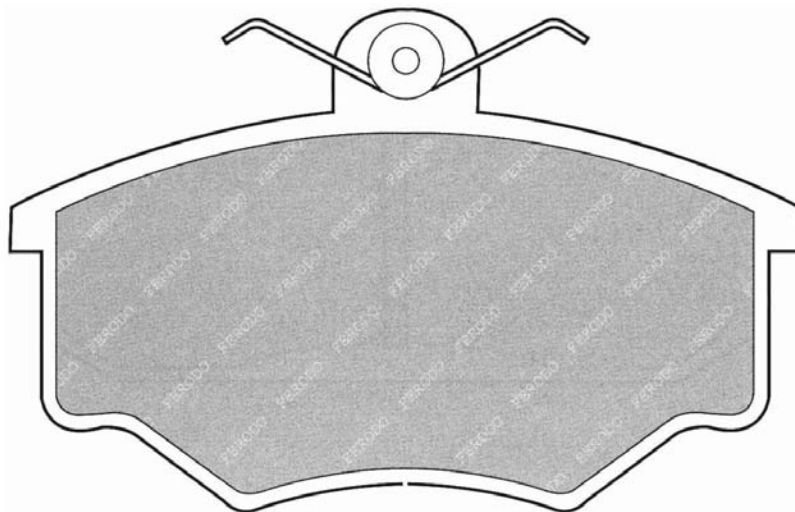
BMW, FERRARI, MASERATI, PORSCHE



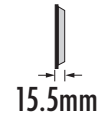
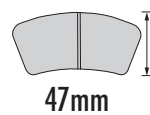
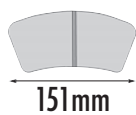
FDB258



NISSAN

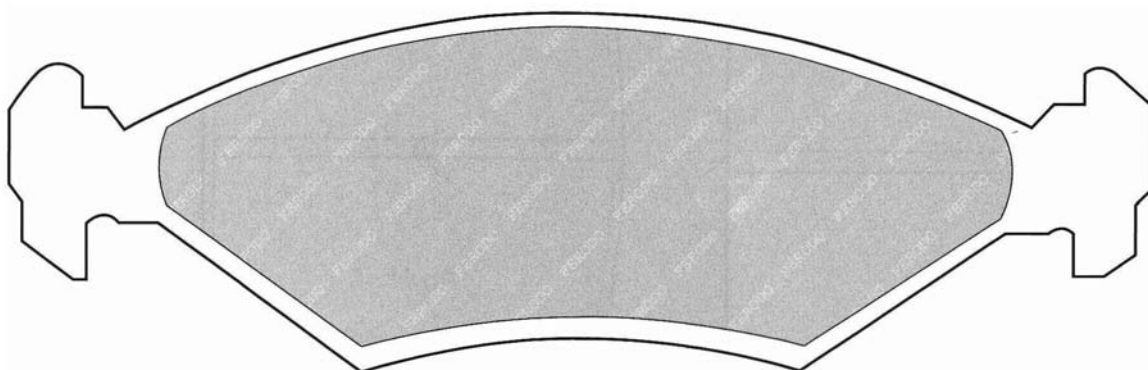


FDB259

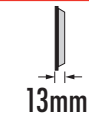
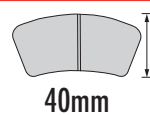
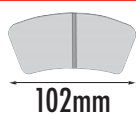


1 Set = 2 x Inners & Clip: 2 x Outers Plain

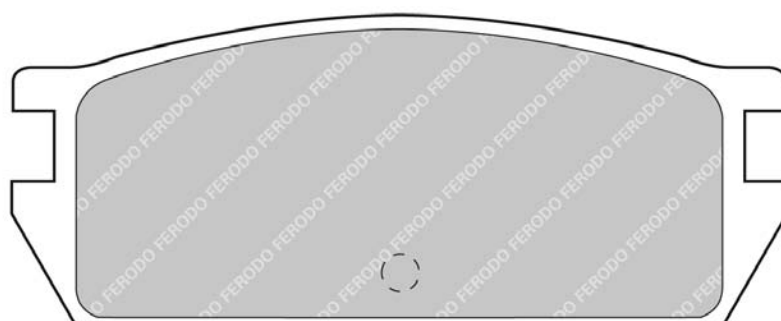
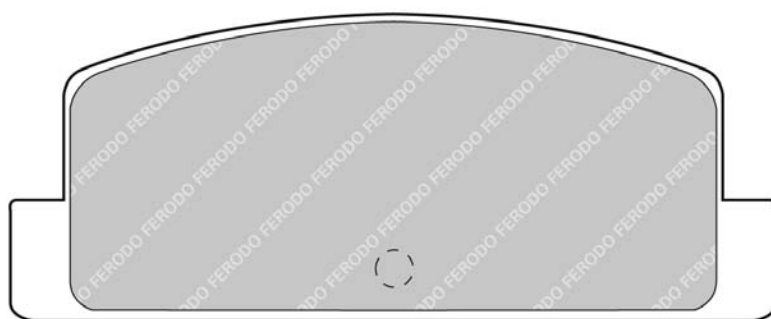
TOYOTA



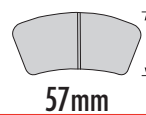
FDB262



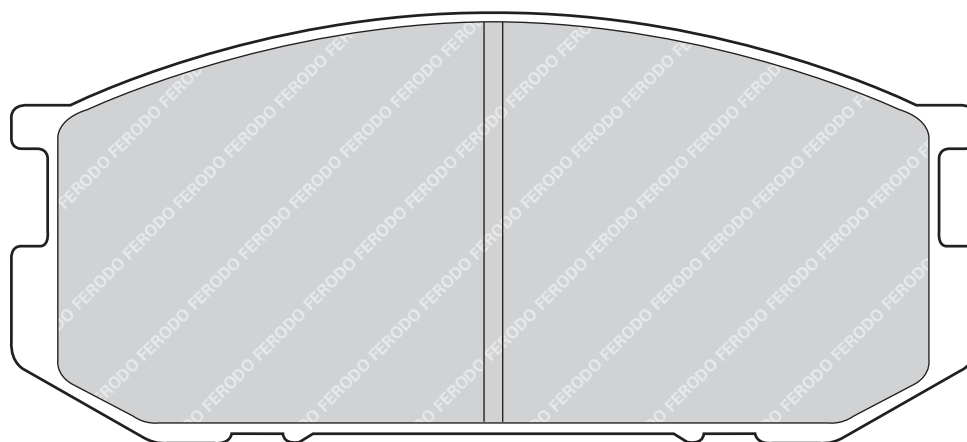
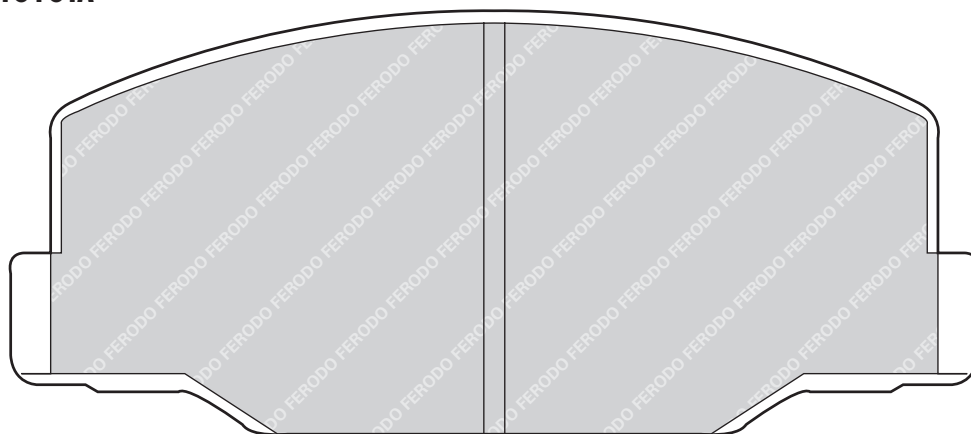
MAZDA



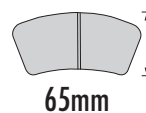
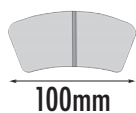
FDB265



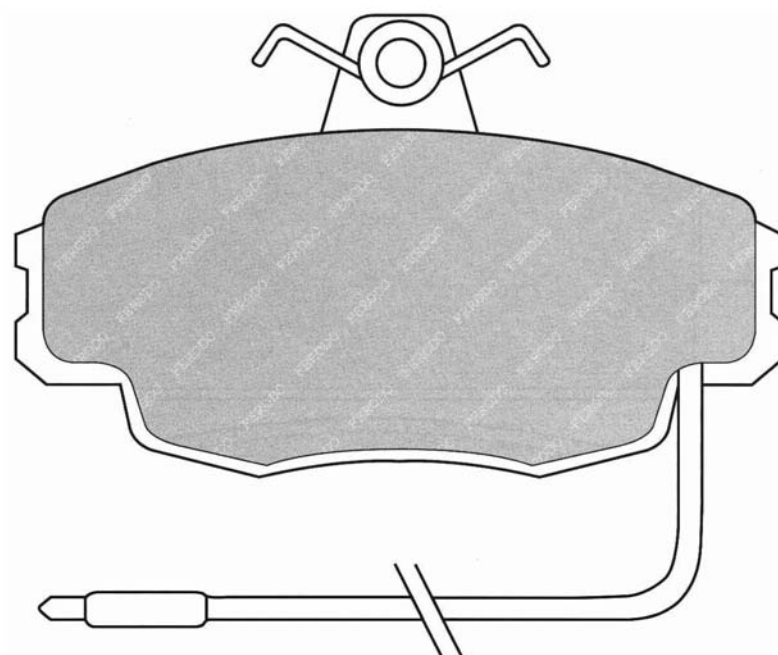
LOTUS, TOYOTA



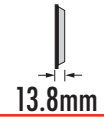
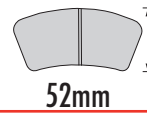
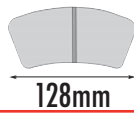
FDB270



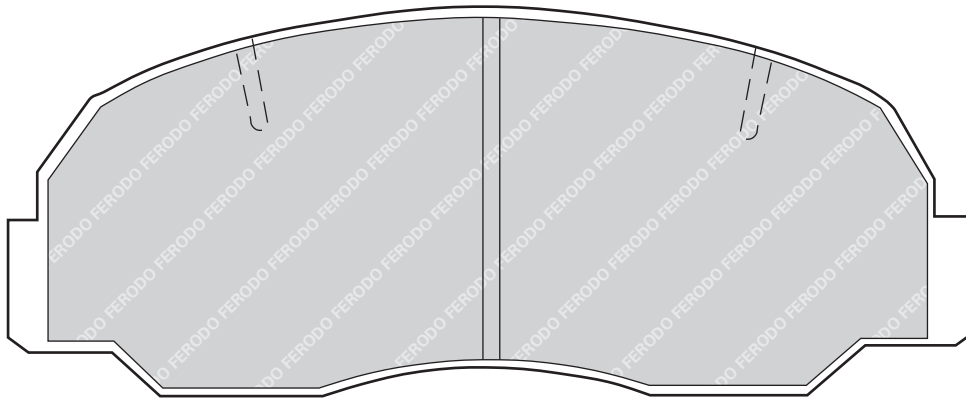
RENAULT



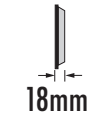
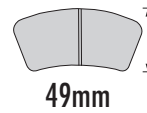
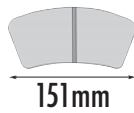
FDB271



MAZDA

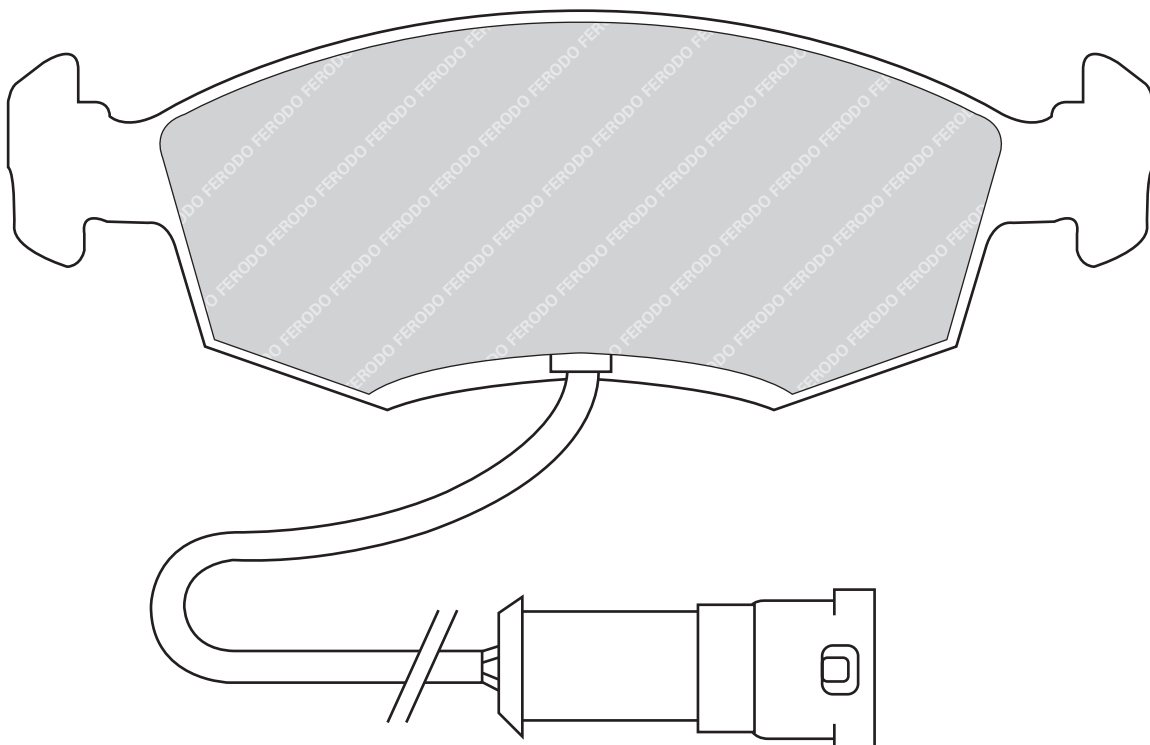


FDB276

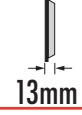
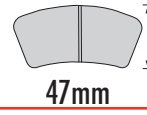
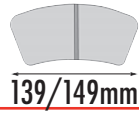


2 Wear Indicator pads per set

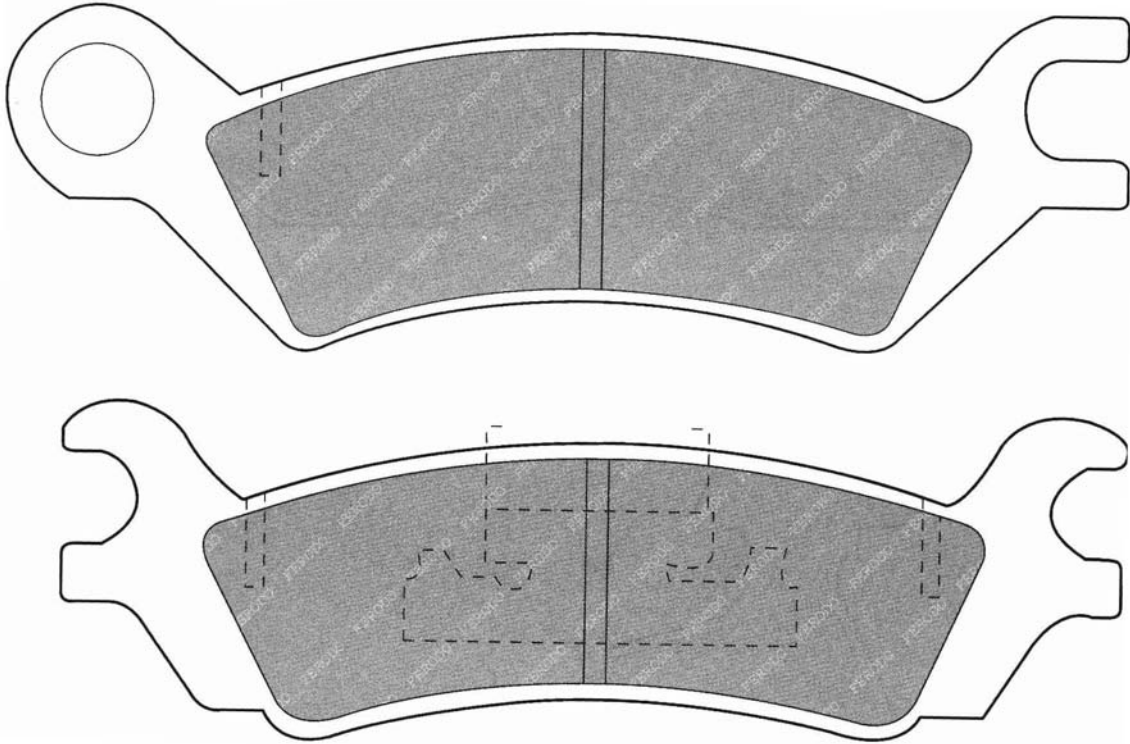
FORD



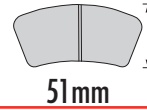
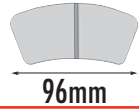
FDB279



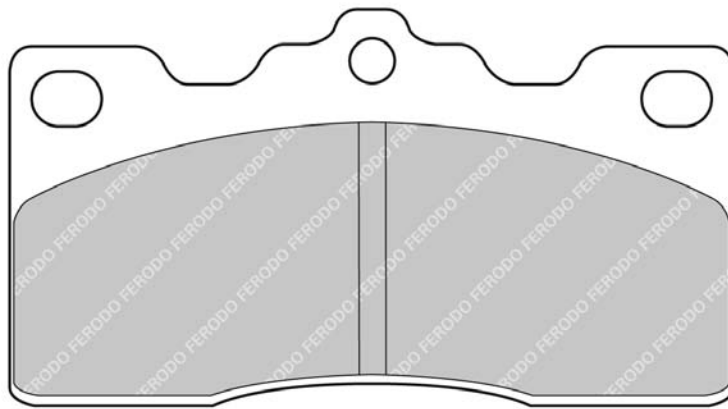
MAZDA



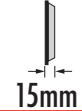
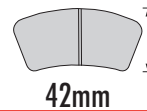
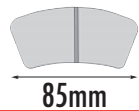
FDB282



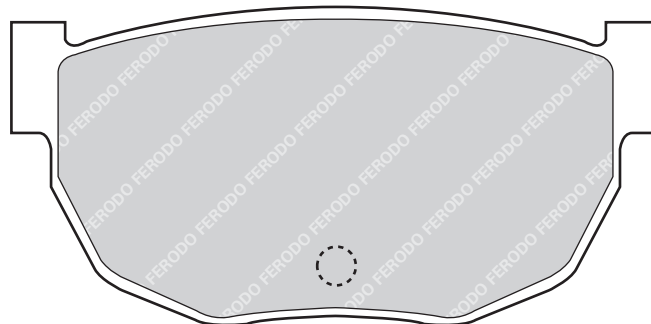
TOYOTA



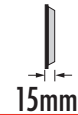
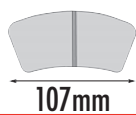
FDB284



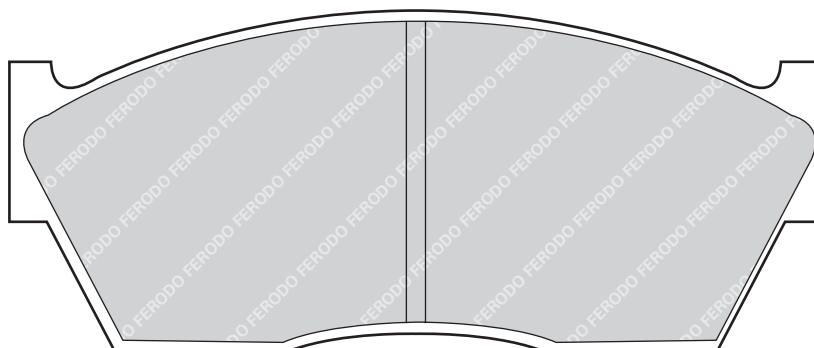
NISSAN



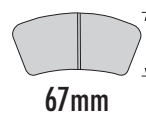
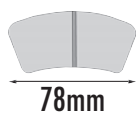
FDB285



HONDA

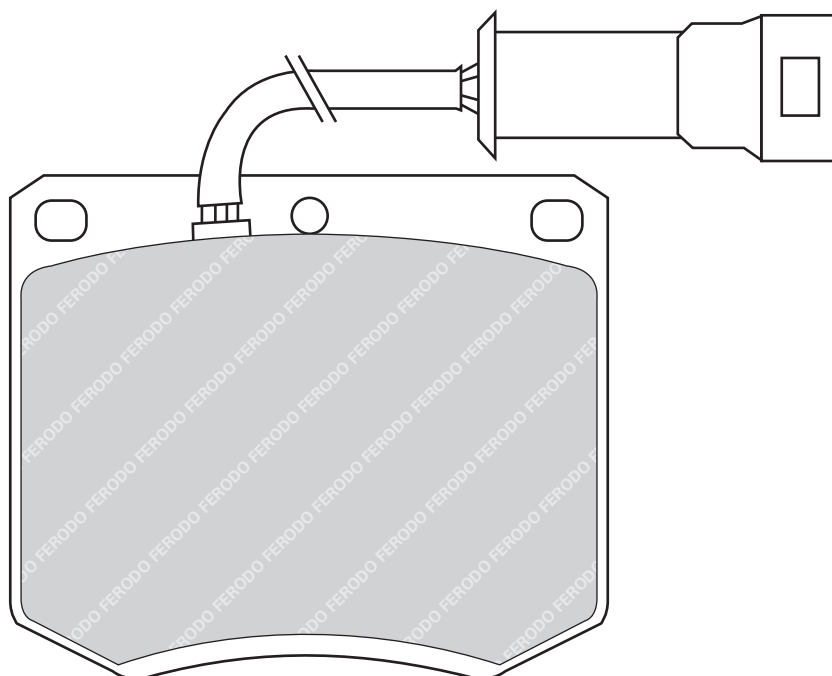


FDB286

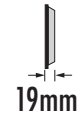
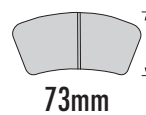
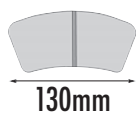


2 Wear Indicator pads per set

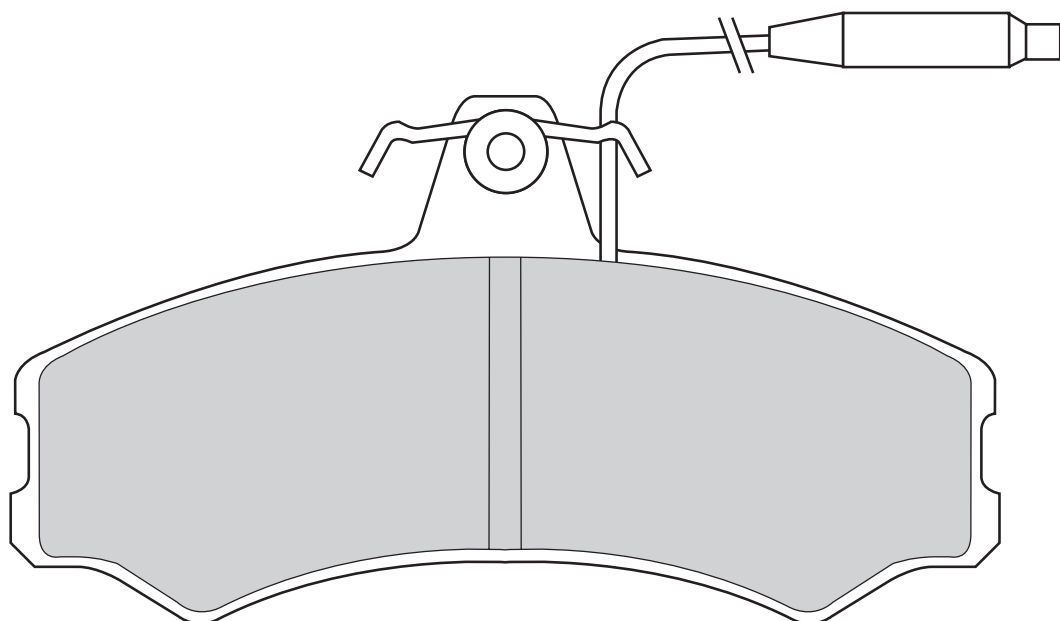
FORD



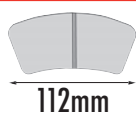
FDB287



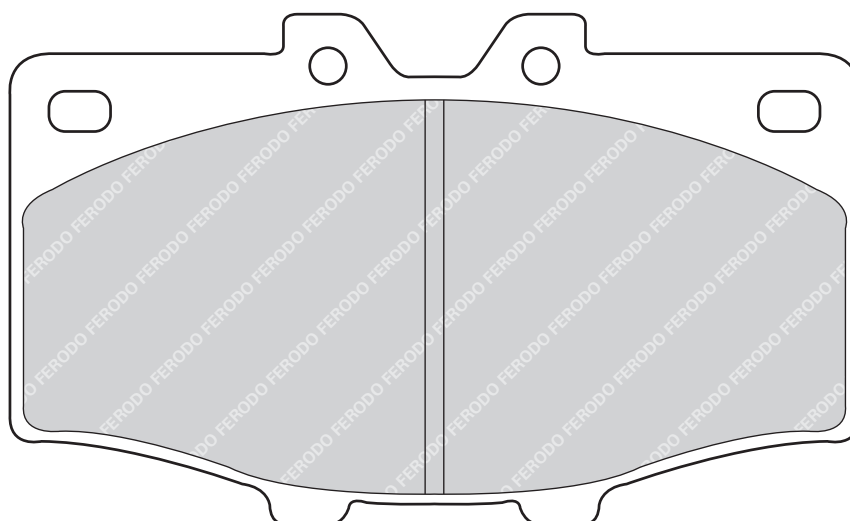
2 Wear Indicator pads per set



FDB288

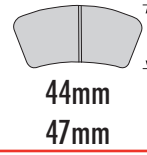
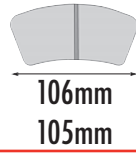


TOYOTA

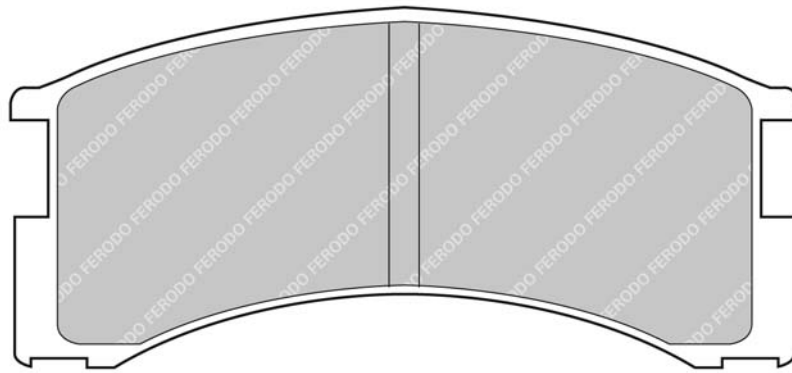
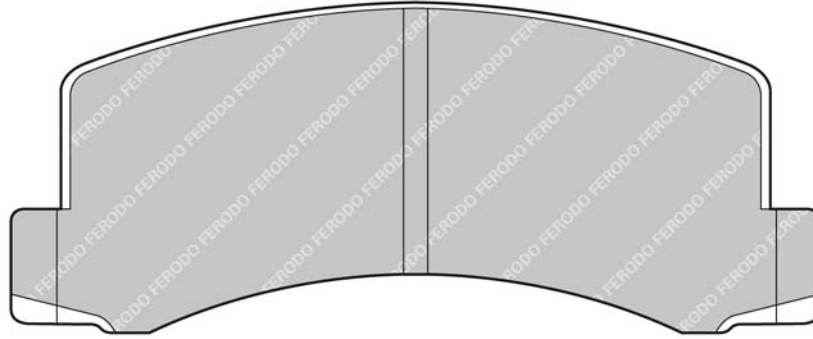


FDB290

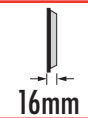
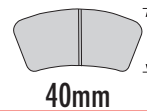
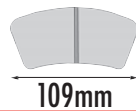
Outer
Inner



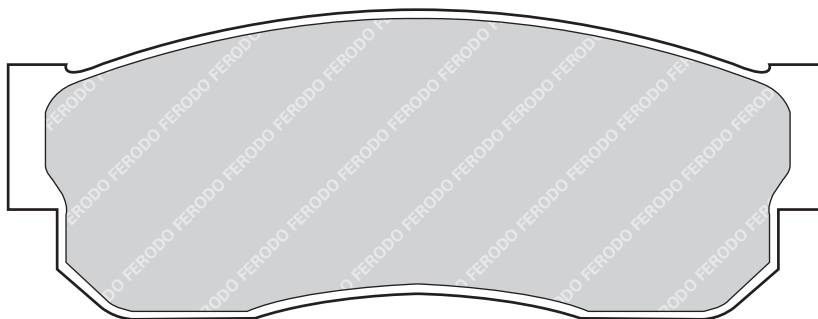
TOYOTA



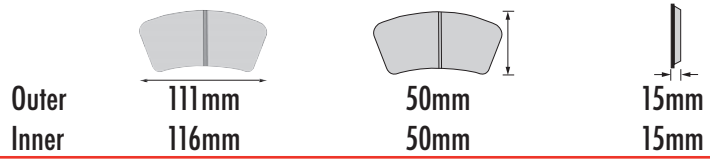
FDB293



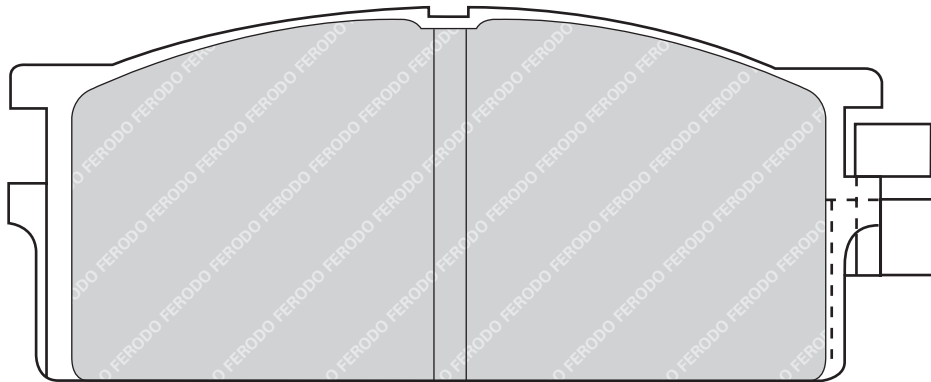
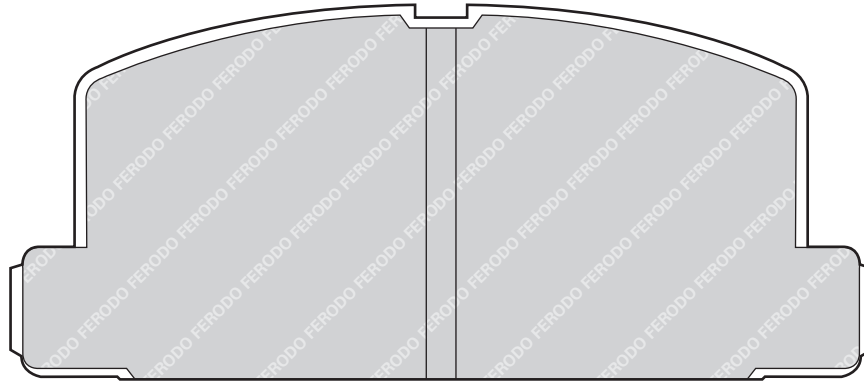
NISSAN



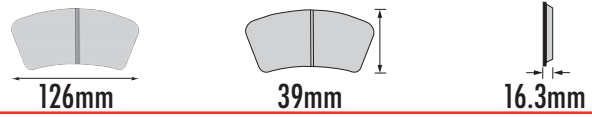
FDB295



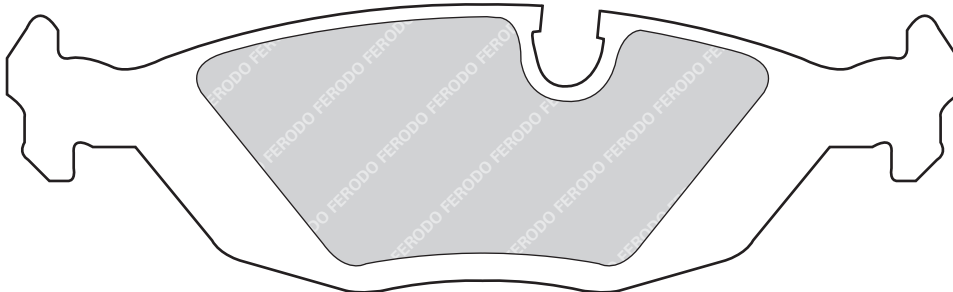
ISUZU



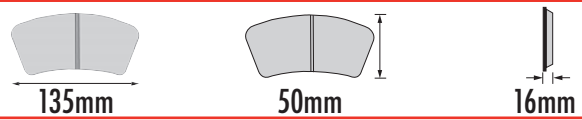
FDB296



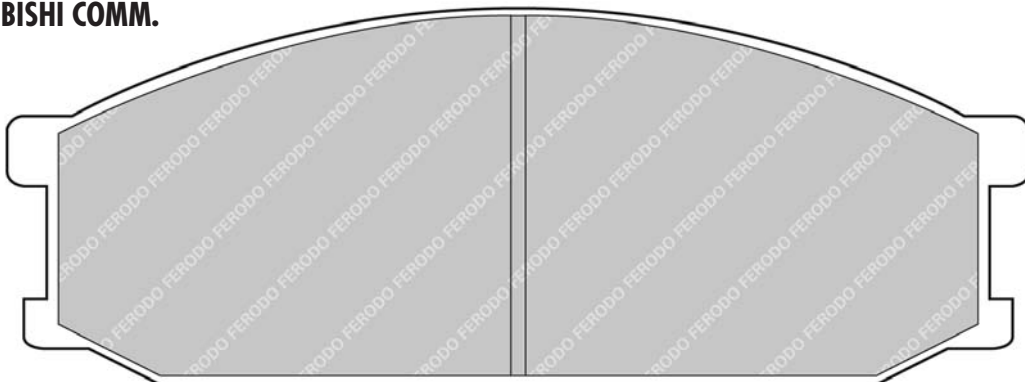
BMW



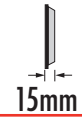
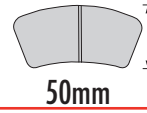
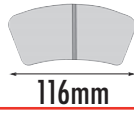
FDB297



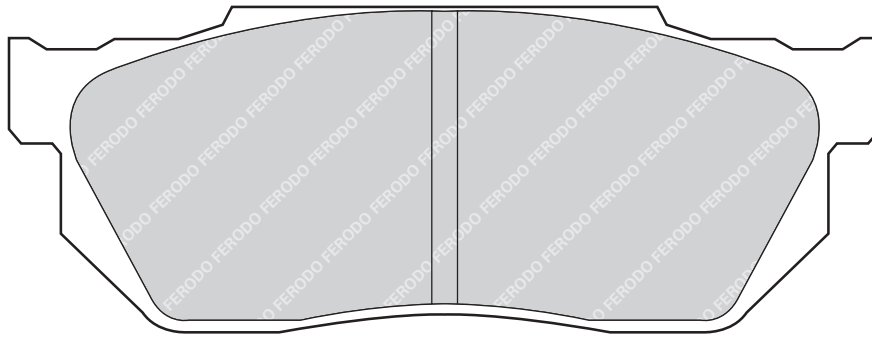
MITSUBISHI COMM.



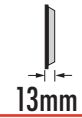
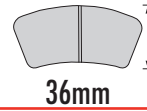
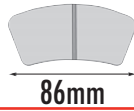
FDB300



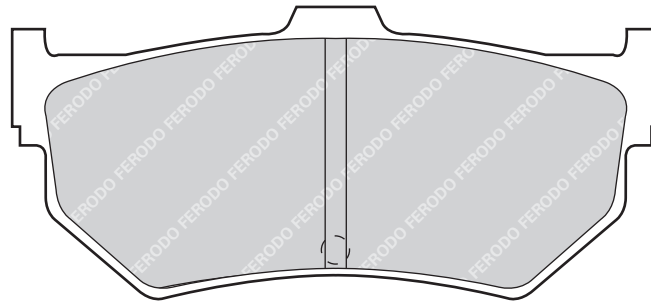
HONDA



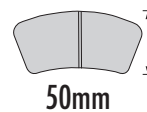
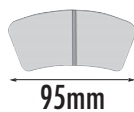
FDB301



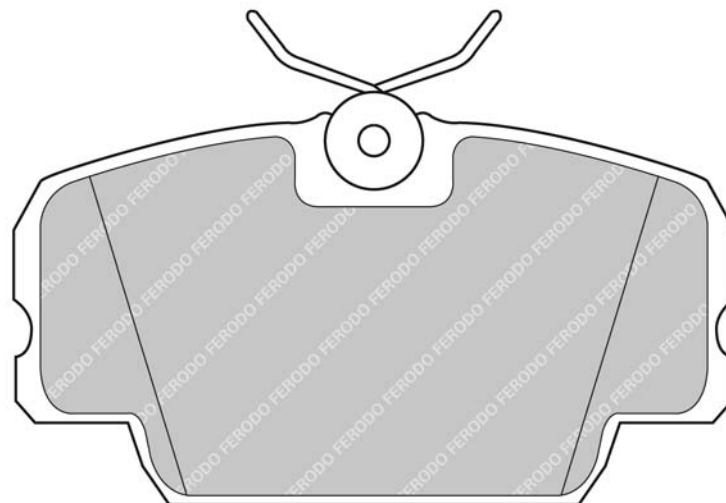
HONDA



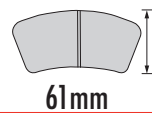
FDB303



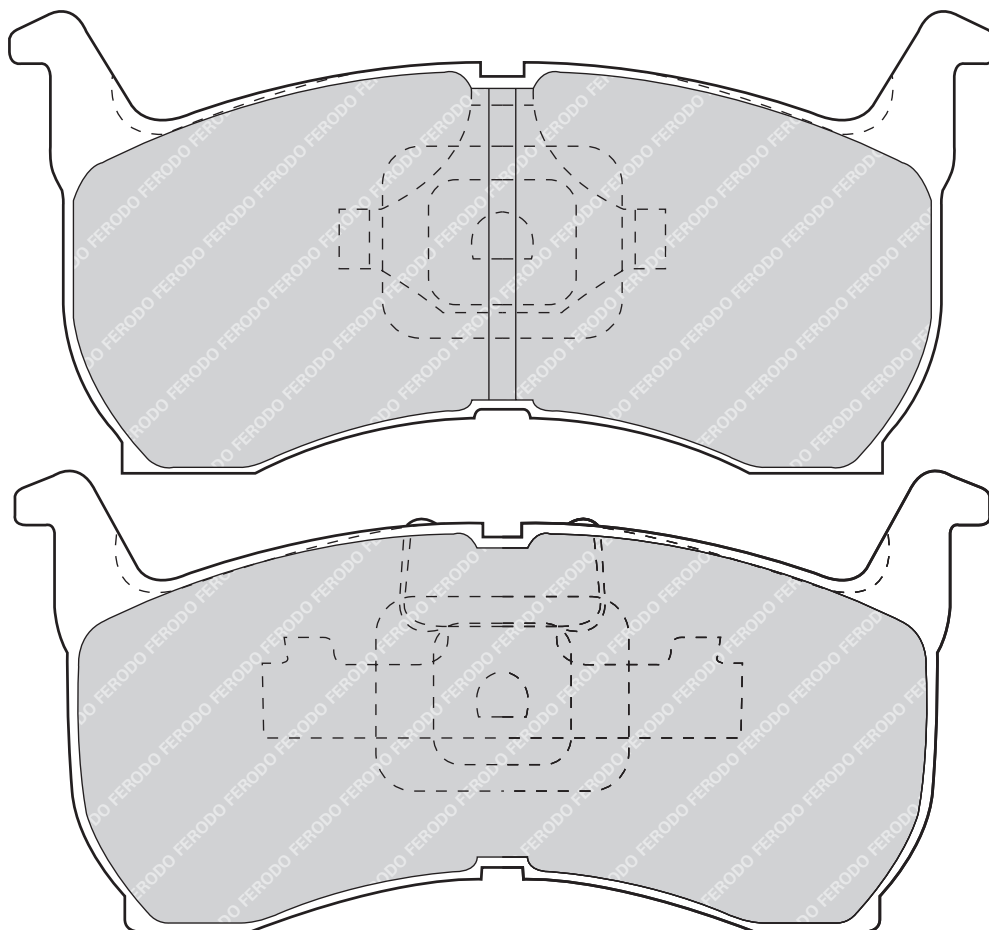
BMW



FDB304



MAZDA



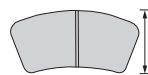
FDB306

Outer
Inner



127mm

127mm



55mm

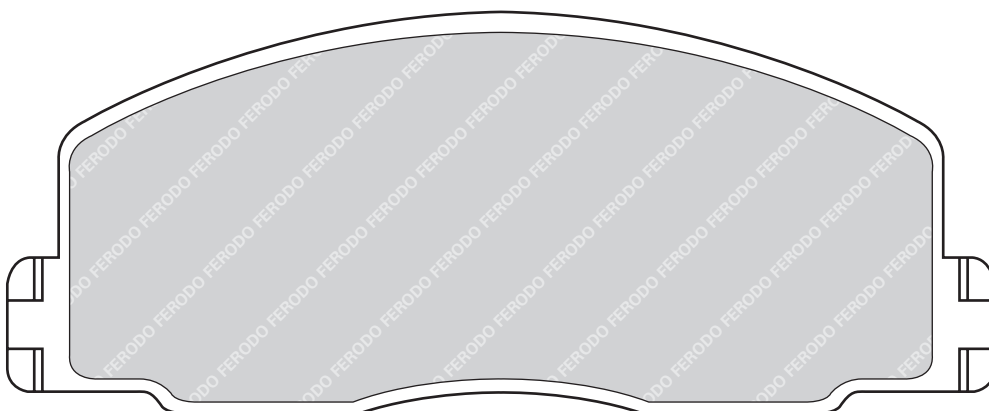
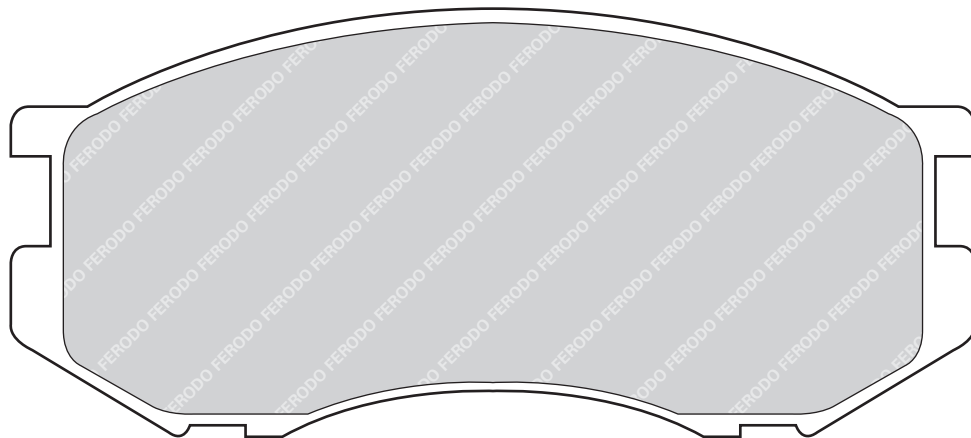
52mm



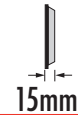
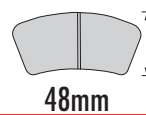
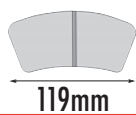
15.5mm

15.5mm

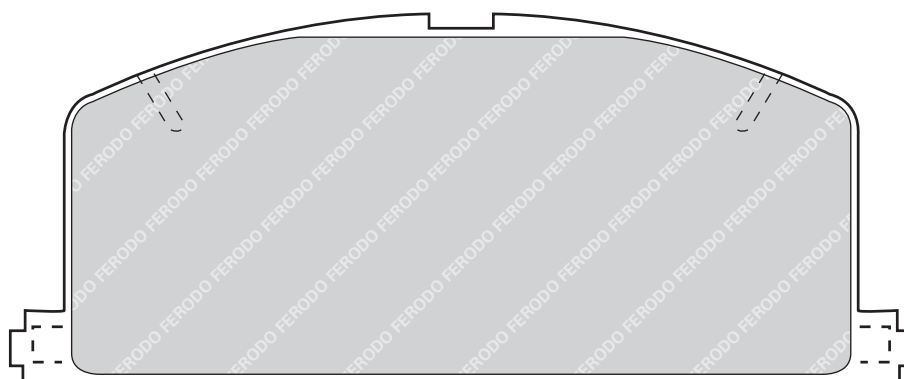
TOYOTA COMM.



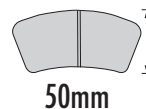
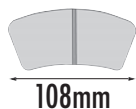
FDB308



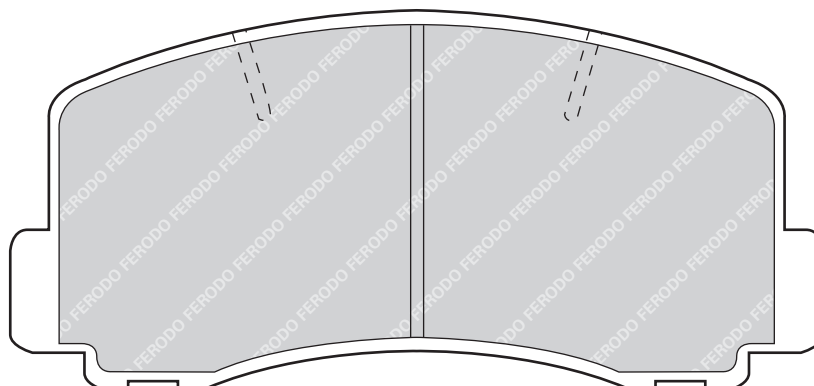
TOYOTA



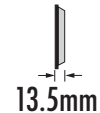
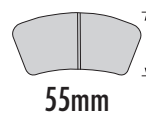
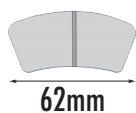
FDB319



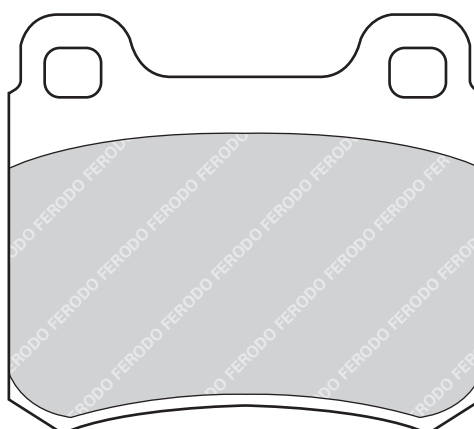
mitsubishi



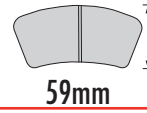
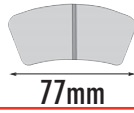
FDB328



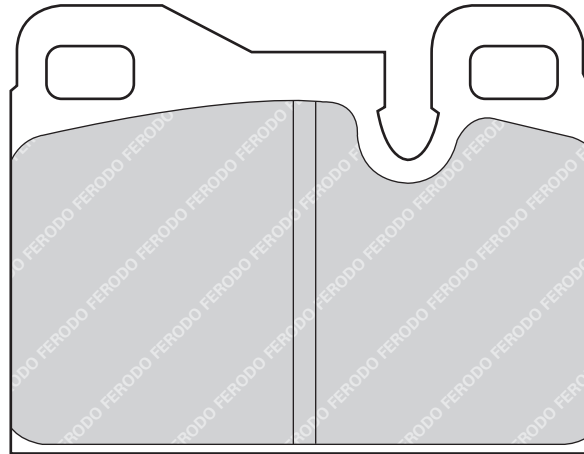
FORD, MERCEDES BENZ



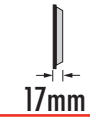
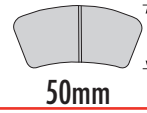
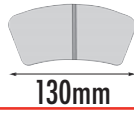
FDB330



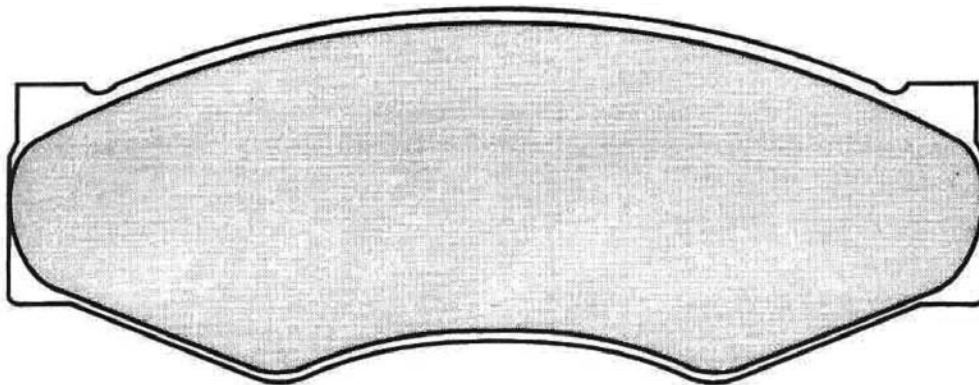
PORSCHE



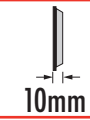
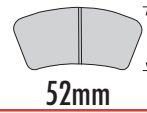
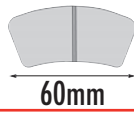
FDB340



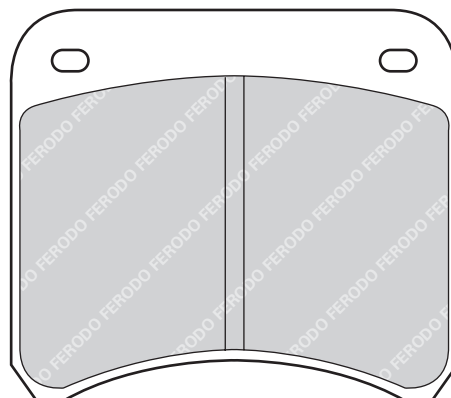
NISSAN



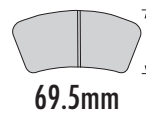
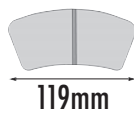
FDB342



AUSTIN

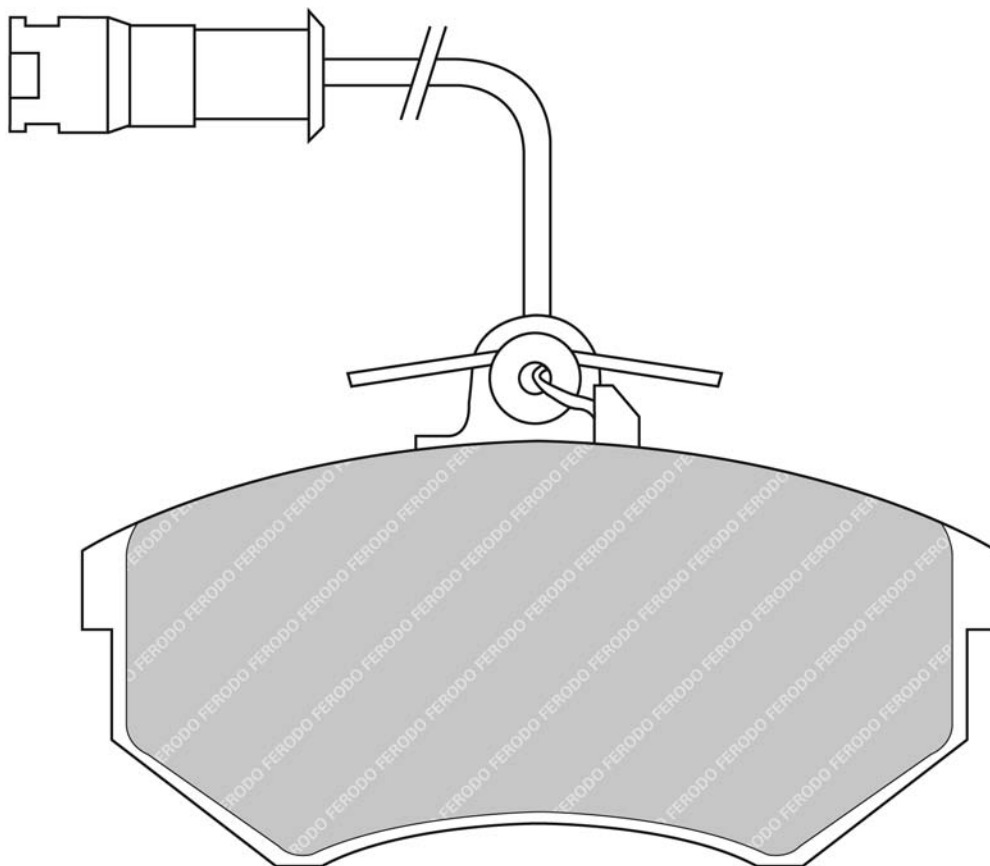


FDB343

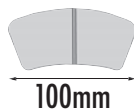


2 Wear Indicator pads per set: 1 Set = 2 x Inners with spring & wear indicator; 2 x Outers with spring

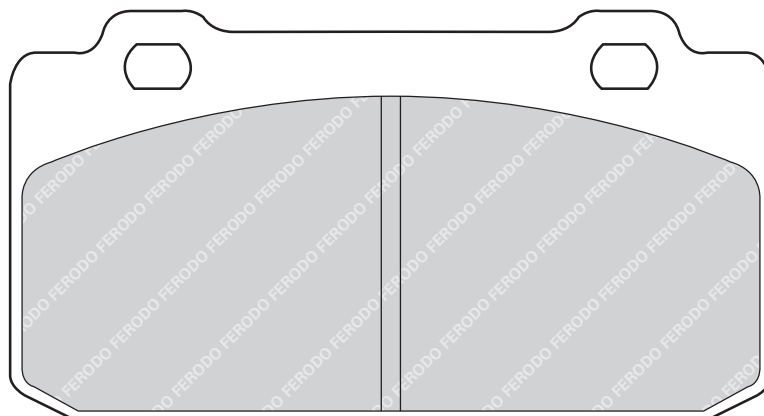
AUDI



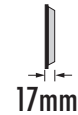
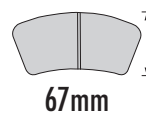
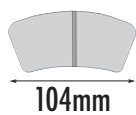
FDB349



ALFA ROMEO

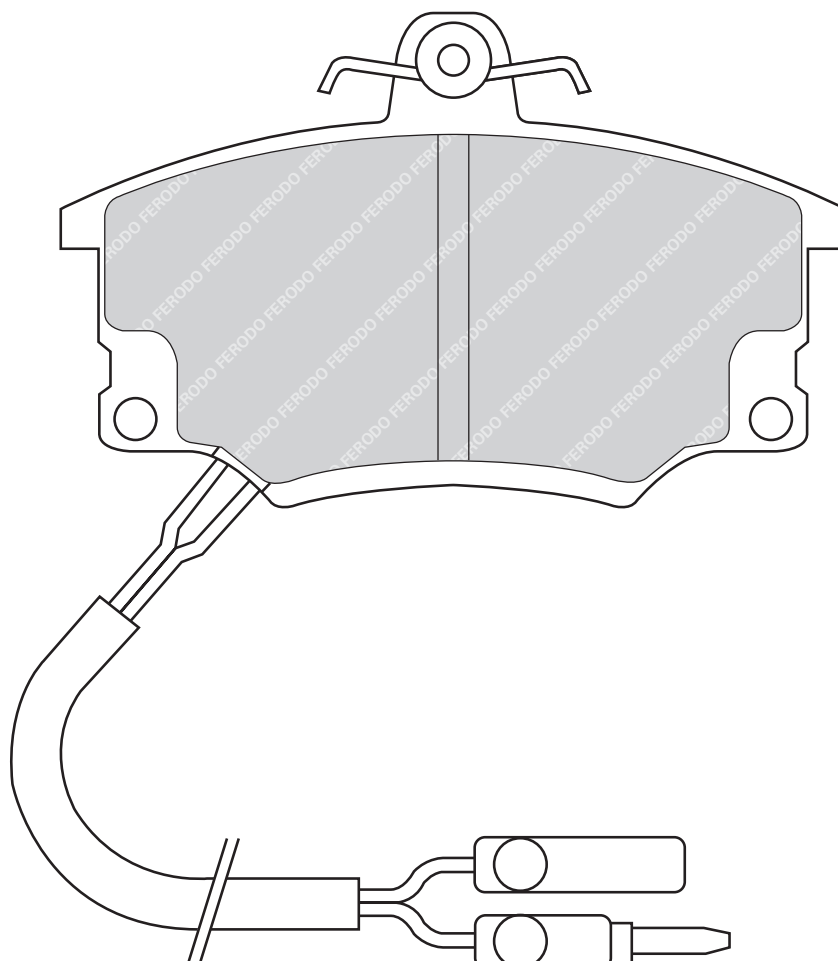


FDB350

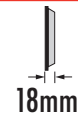
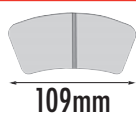


2 Wear Indicator pads per set

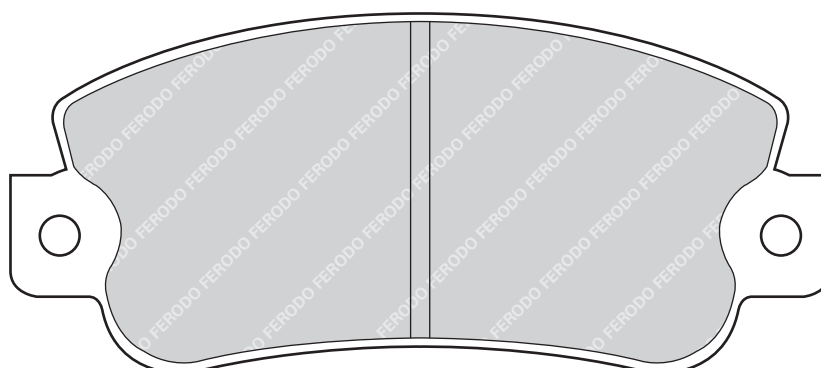
LANCIA



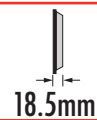
FDB351



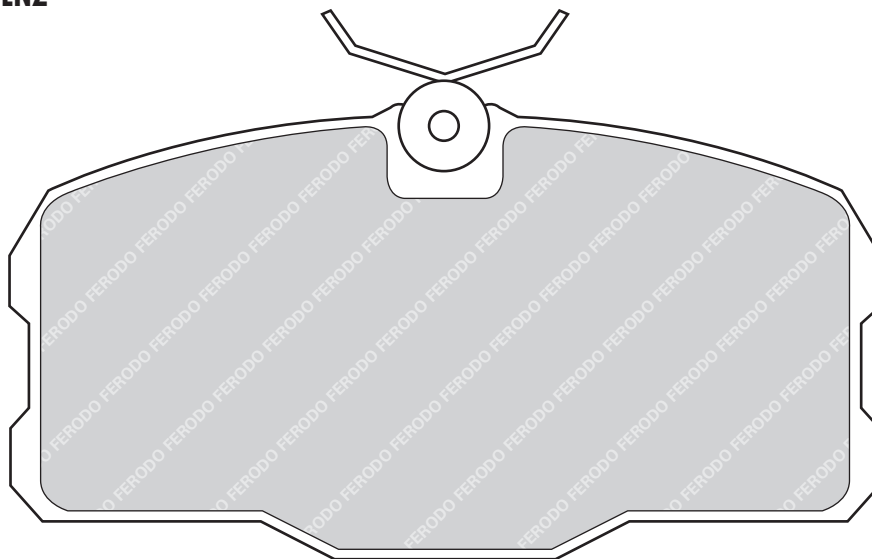
FIAT



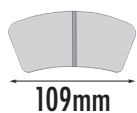
FDB354



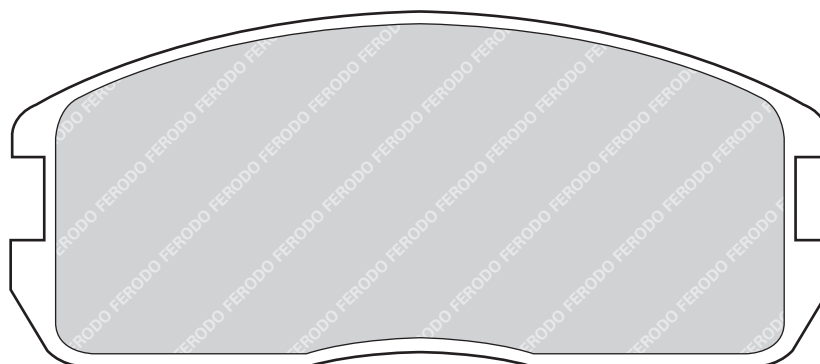
MERCEDES BENZ



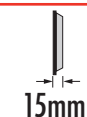
FDB357



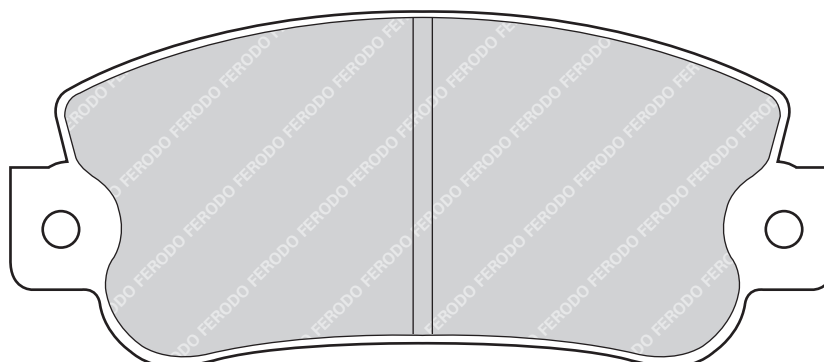
MITSUBISHI



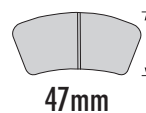
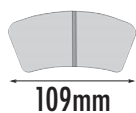
FDB359



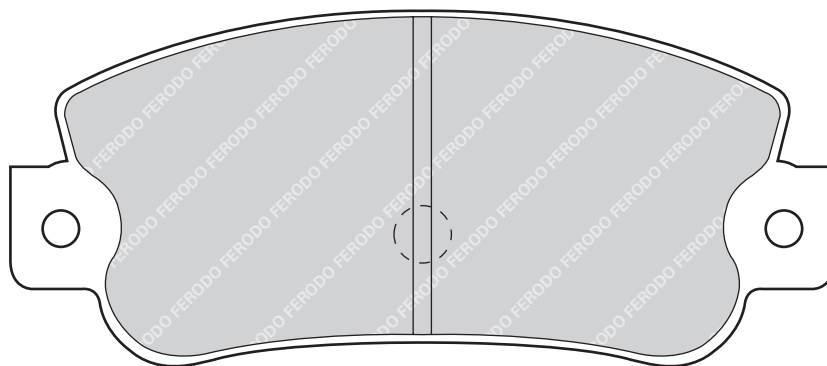
ALFA ROMEO



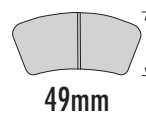
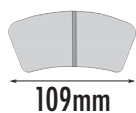
FDB360



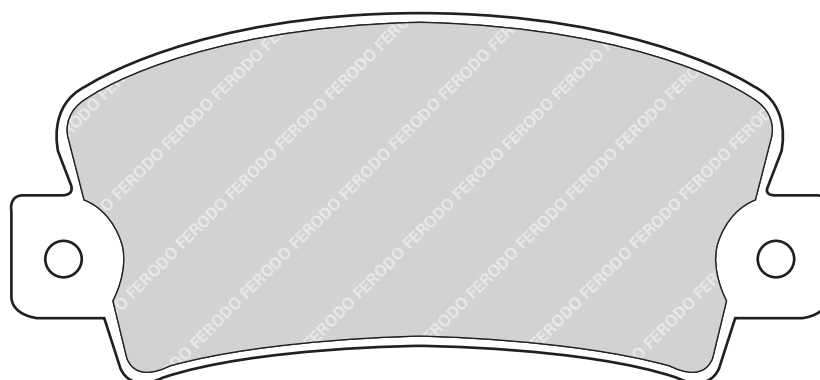
LANCIA



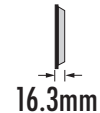
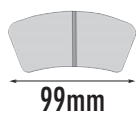
FDB362



DACIA

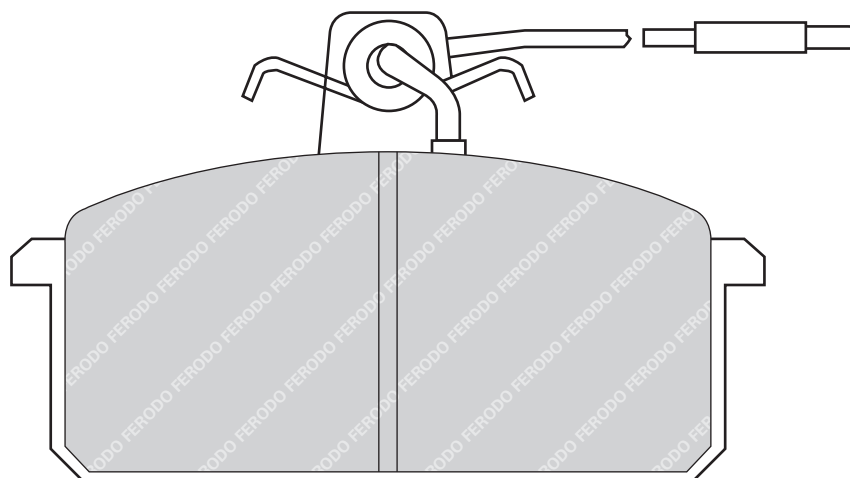


FDB364



2 Wear Indicator pads per set

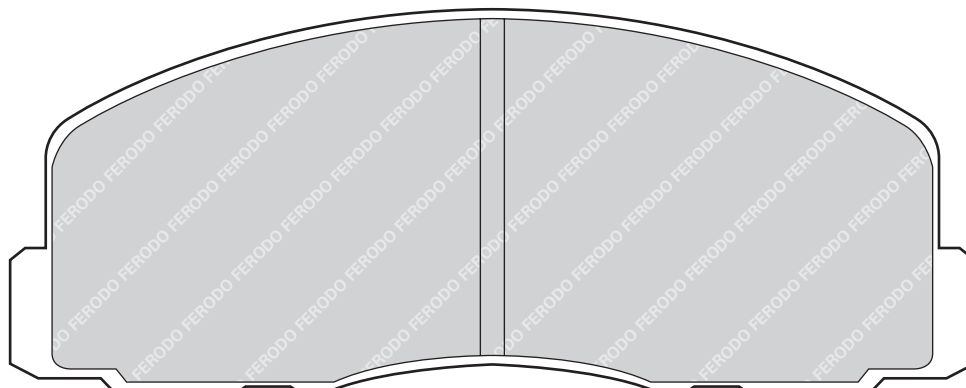
LANCIA



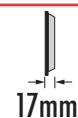
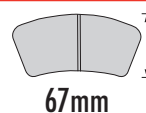
FDB368



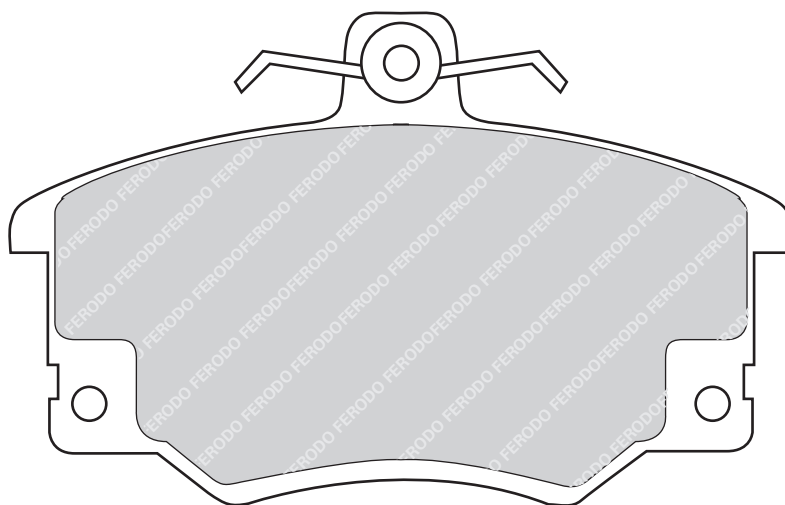
MITSUBISHI



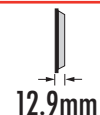
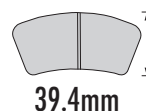
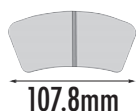
FDB370



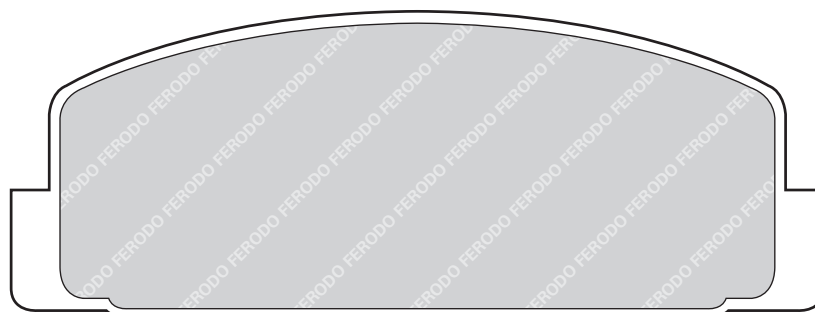
ALFA ROMEO, FIAT



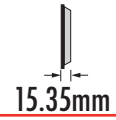
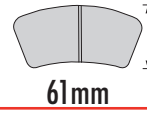
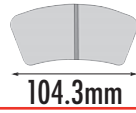
FDB372



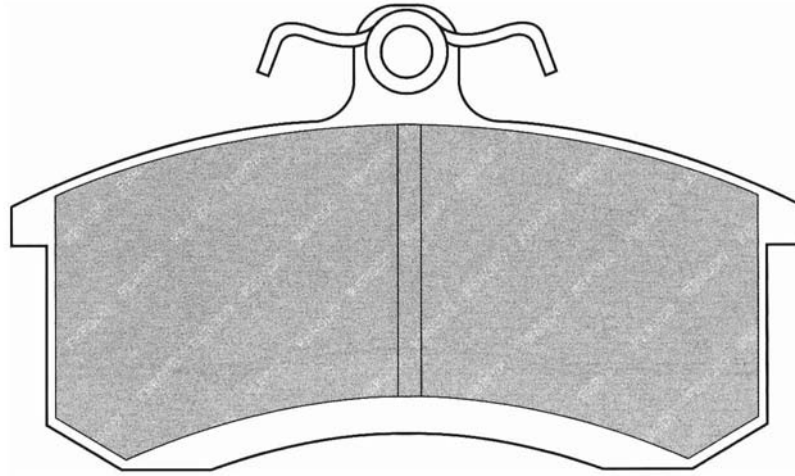
MAZDA



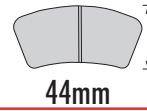
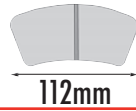
FDB373



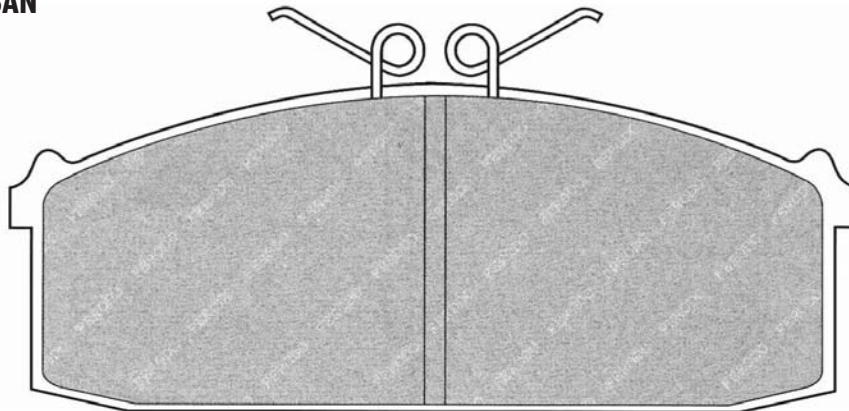
NISSAN



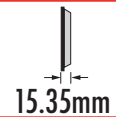
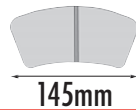
FDB374



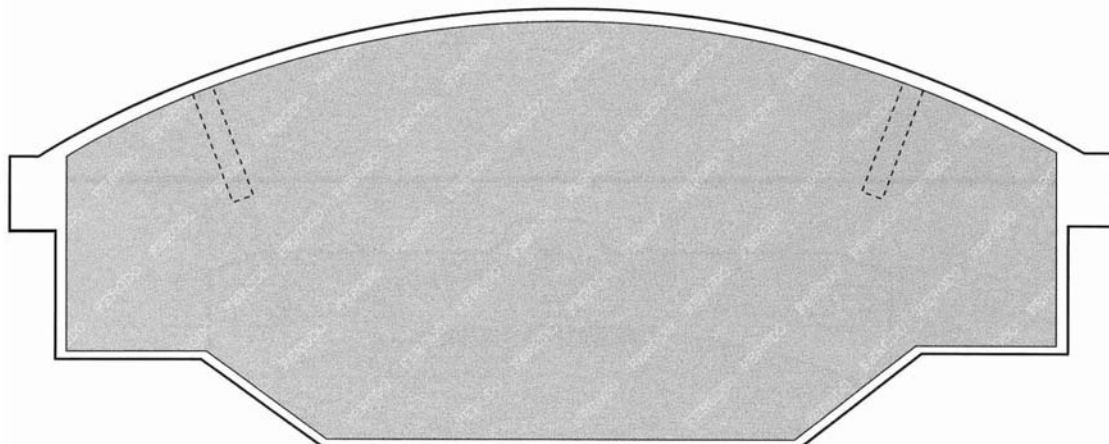
MAZDA, NISSAN



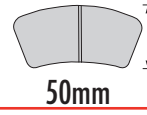
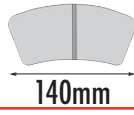
FDB388



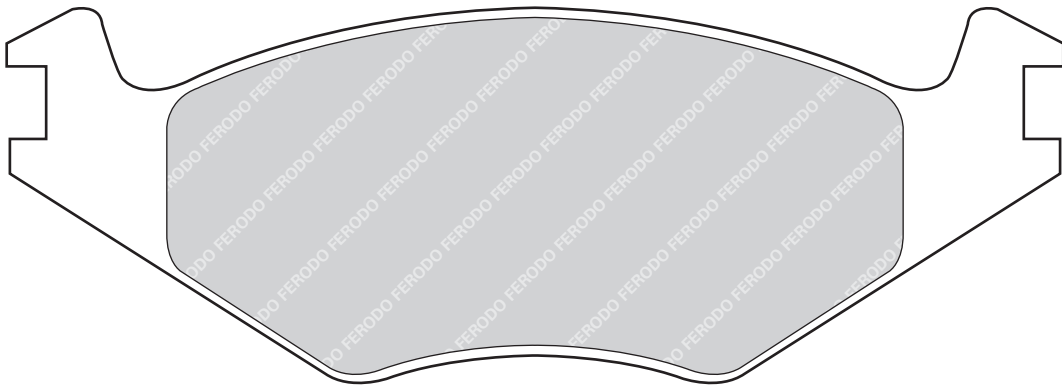
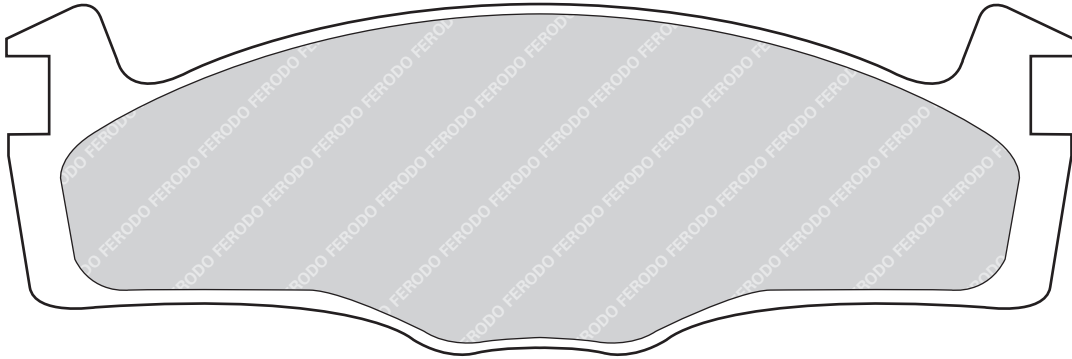
TOYOTA



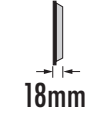
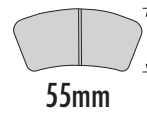
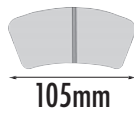
FDB392



VOLKSWAGEN

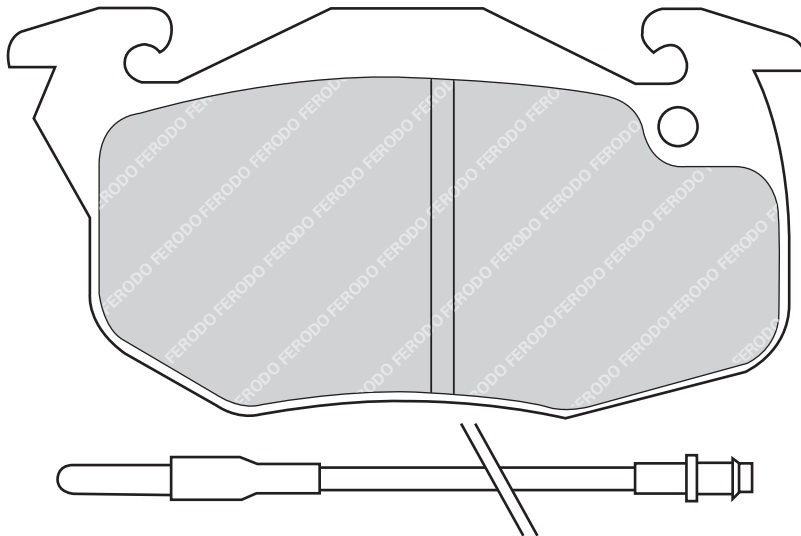


FDB393

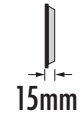
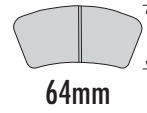
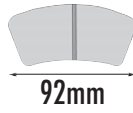


2 Wear Indicator pads per set (Supplied Loose)

PEUGEOT, RENAULT

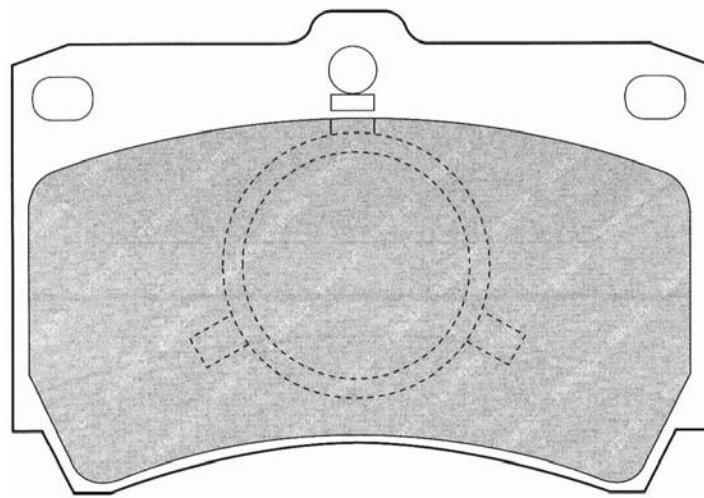


FDB395

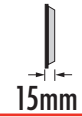
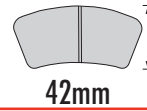
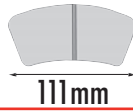


1 Set = 2 x Inners with clip; 2 x Outers plain

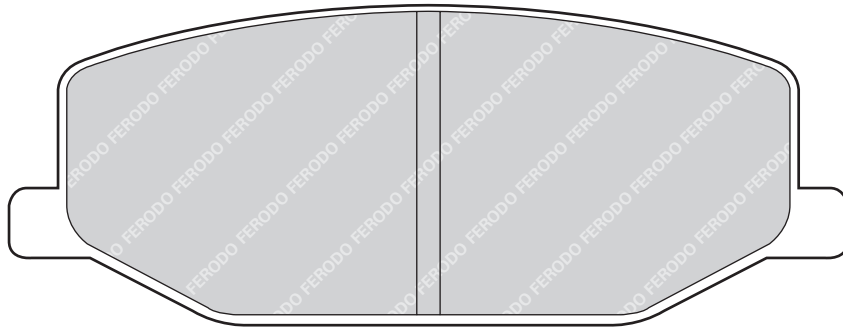
FORD, MAZDA



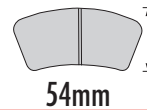
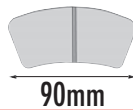
FDB396



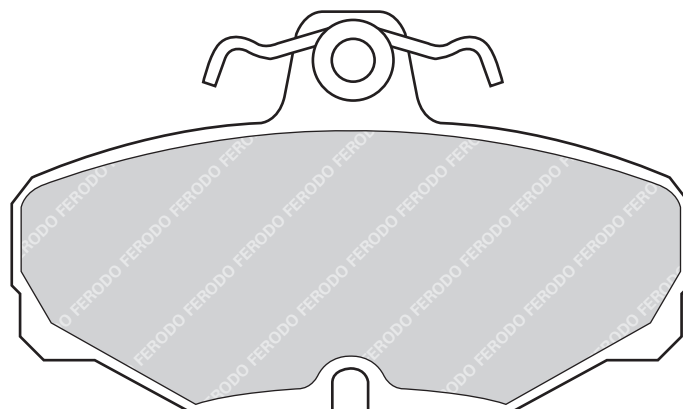
SUZUKI



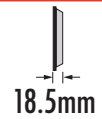
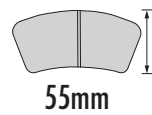
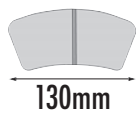
FDB398



FORD

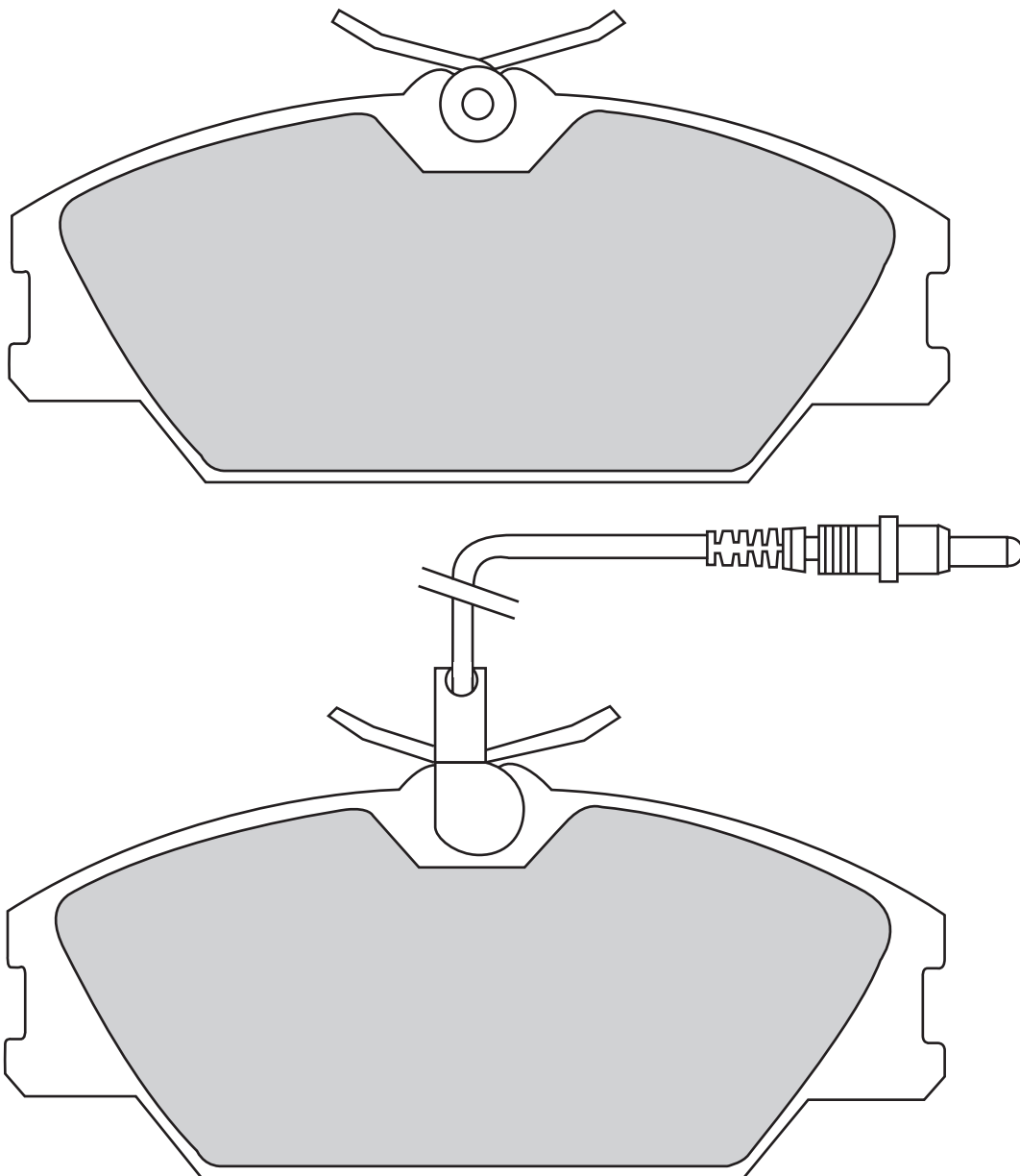


FDB406

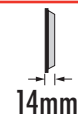
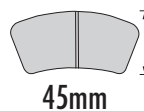
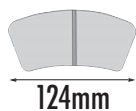


1 Pad with Wear Indicator

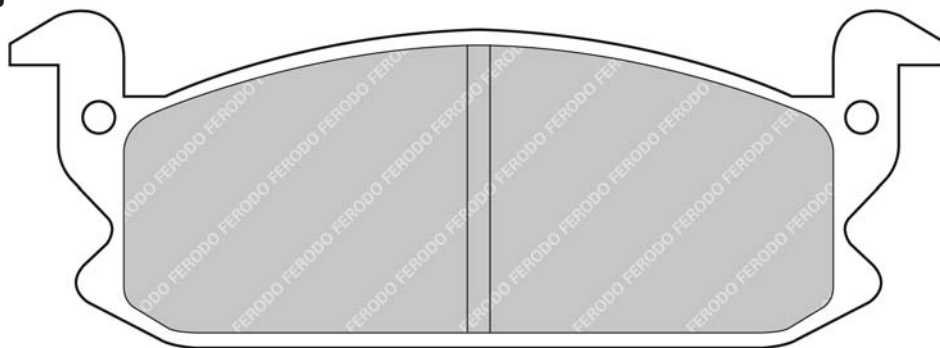
RENAULT



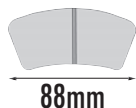
FDB407



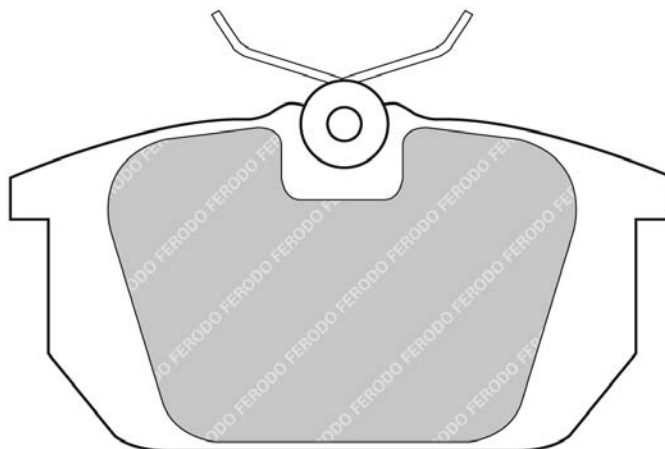
DAIHATSU



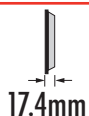
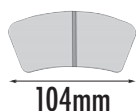
FDB409



ALFA ROMEO, FIAT

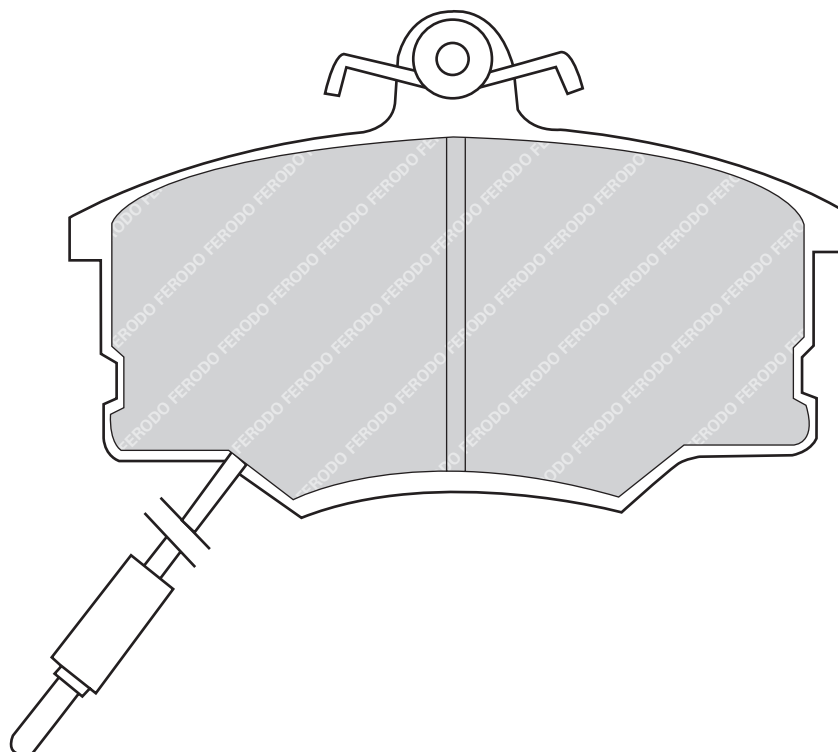


FDB410

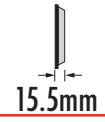
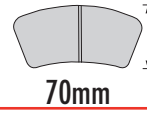
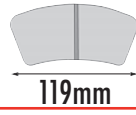


2 Wear Indicator pads per set

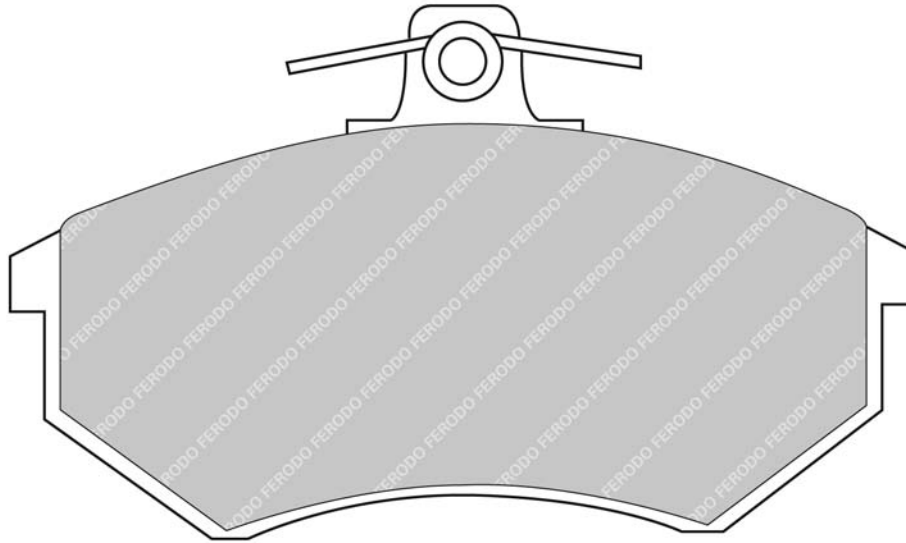
LANCIA



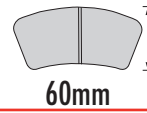
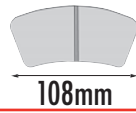
FDB413



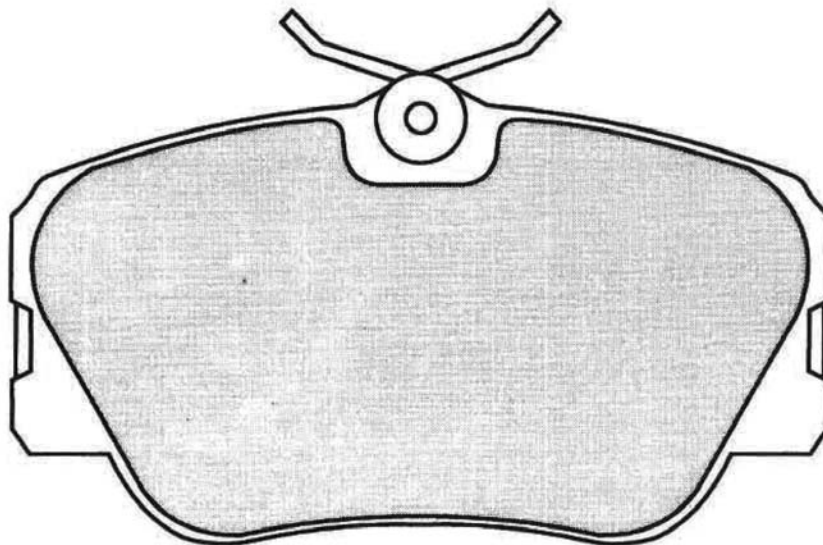
AUDI, VOLKSWAGEN



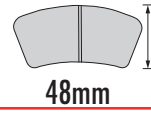
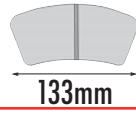
FDB415



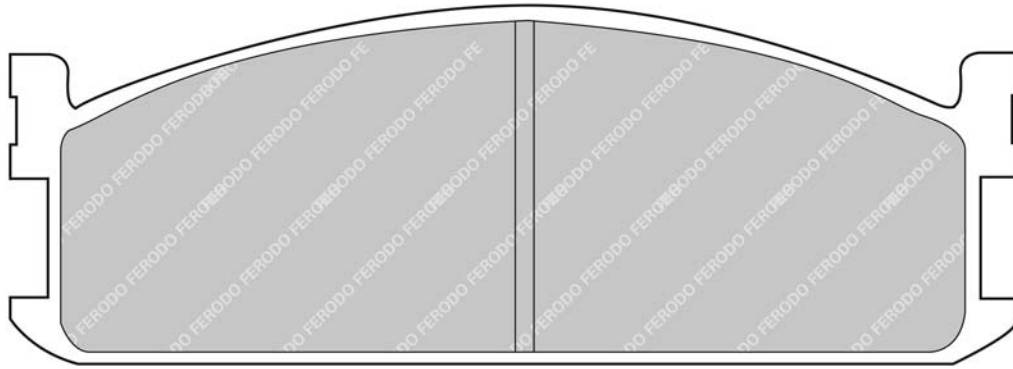
MERCEDES BENZ



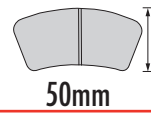
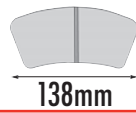
FDB418



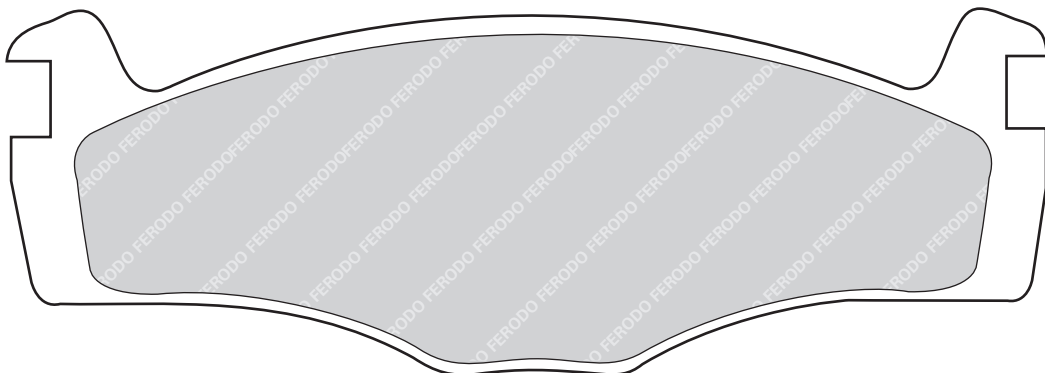
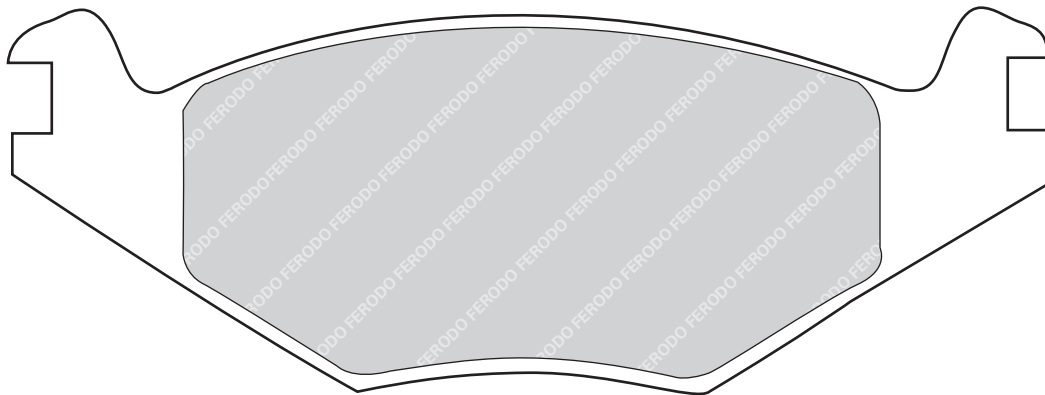
ISUZU



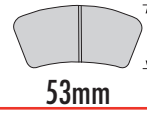
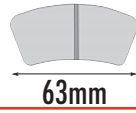
FDB419



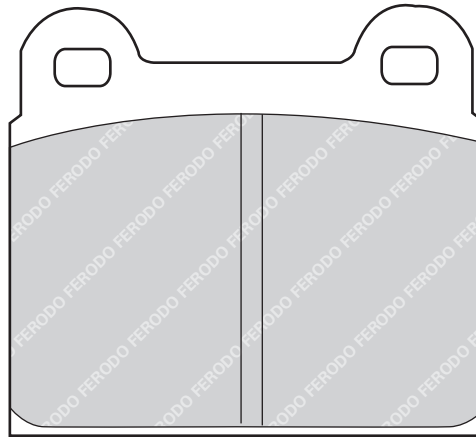
VOLKSWAGEN



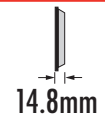
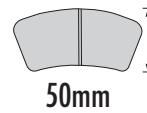
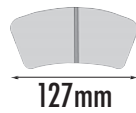
FDB425



MASERATI

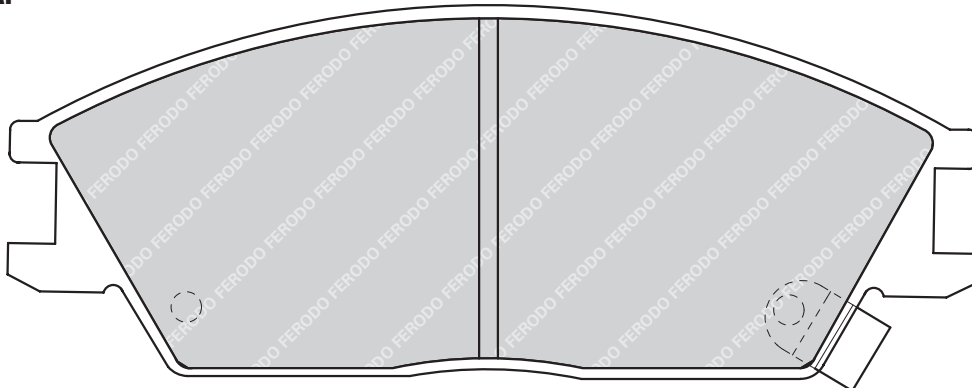


FDB435

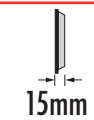
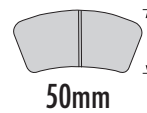
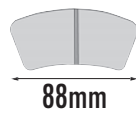


2 Wear Indicator pads per set - Handed

HYUNDAI

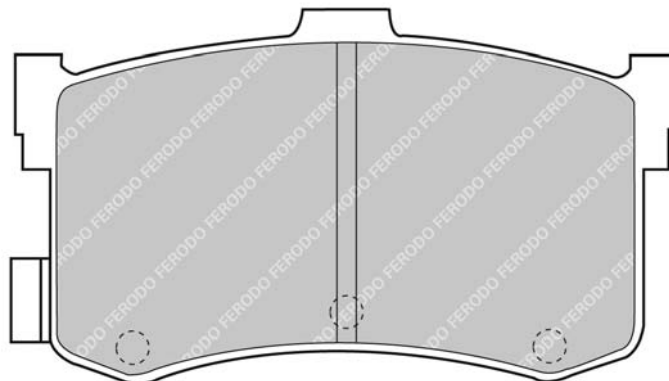


FDB444

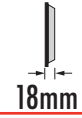
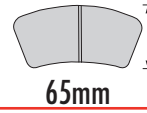
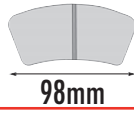


2 Wear Indicator pads per set - Handed

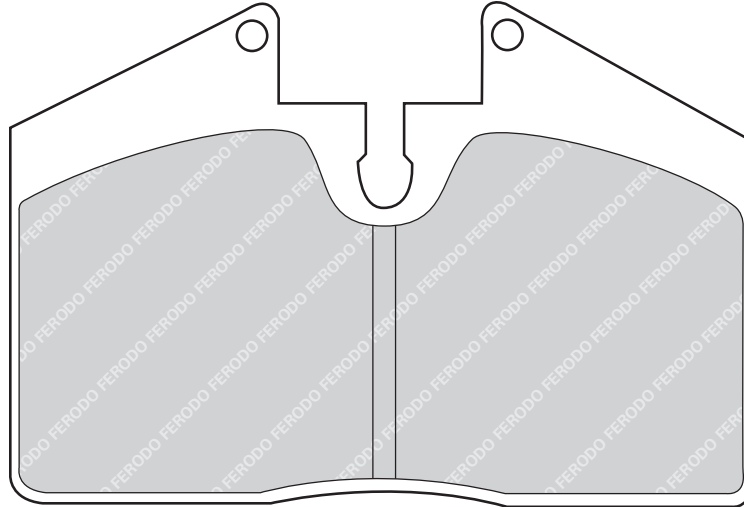
HYUNDAI



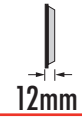
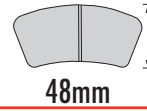
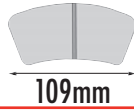
FDB451



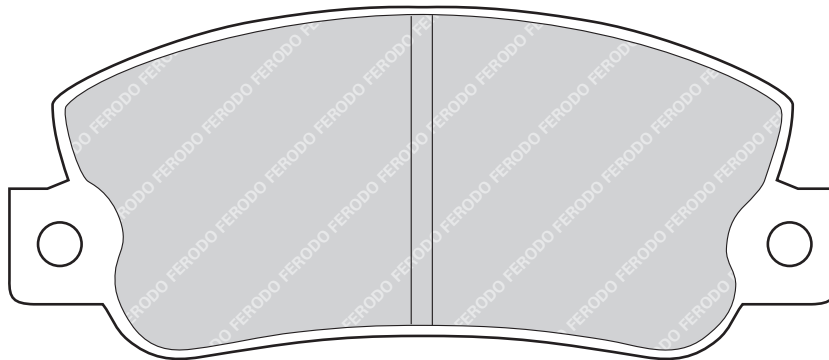
PORSCHE



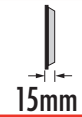
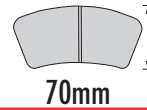
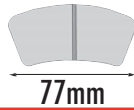
FDB456



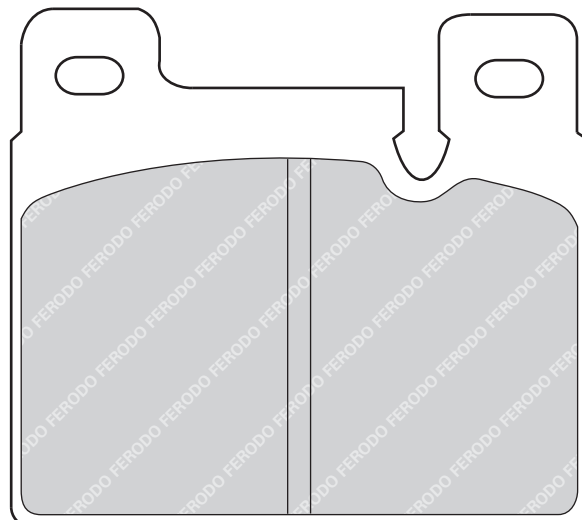
LANCIA



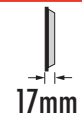
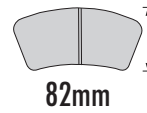
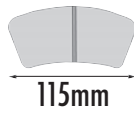
FDB458



PORSCHE

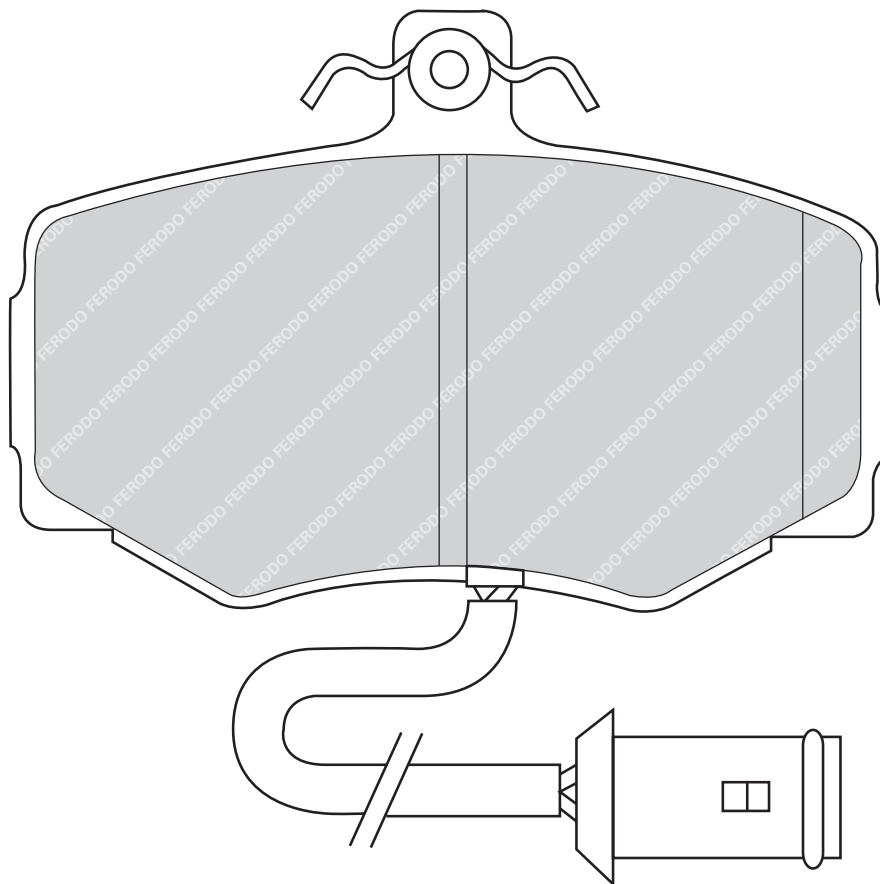


FDB468

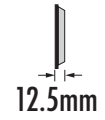
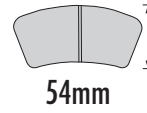
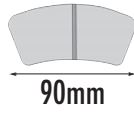


2 Wear Indicator pads per set

JAGUAR

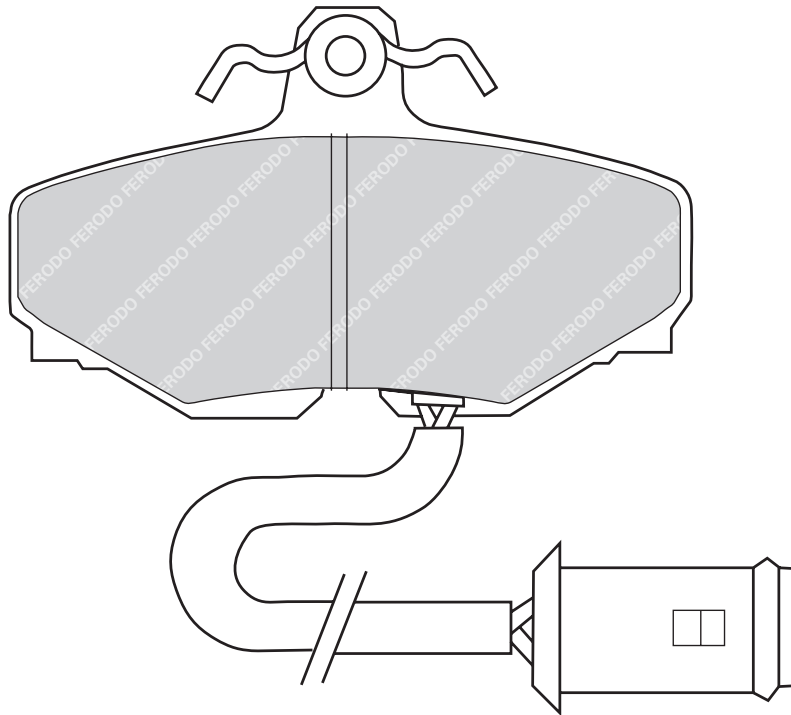


FDB469

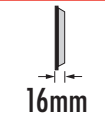
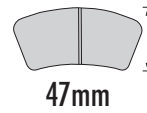
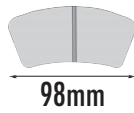


2 Wear Indicator pads per set

JAGUAR



FDB470



Outer
Inner

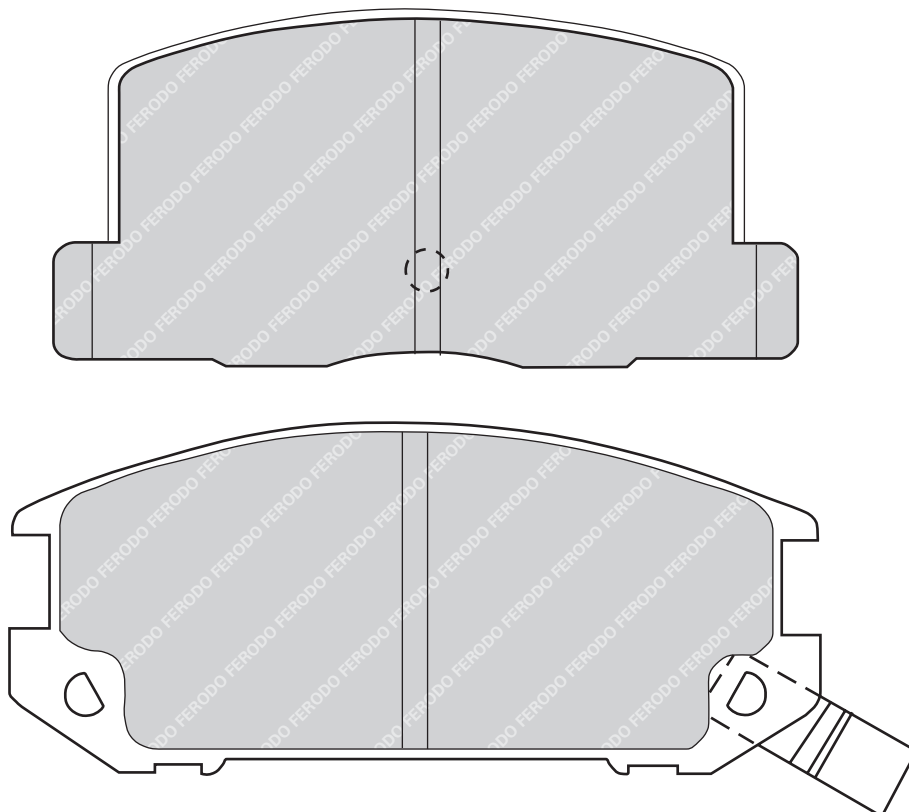
98mm
107mm

47mm
47mm

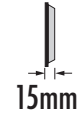
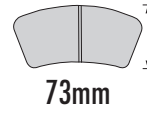
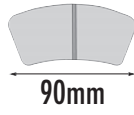
16mm
15mm

2 Wear Indicator pads per set - Handed

TOYOTA

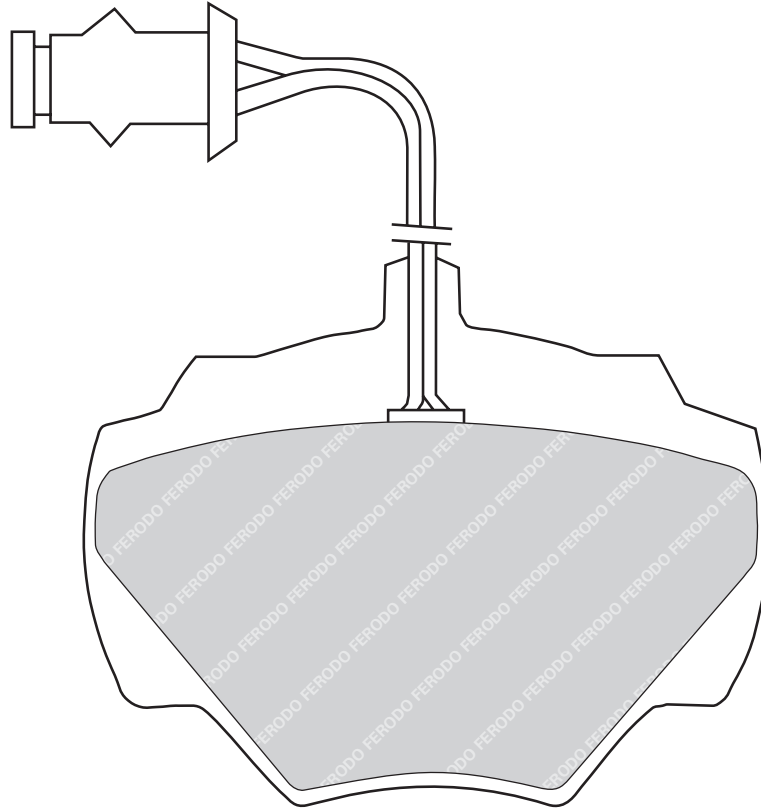


FDB471

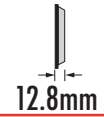
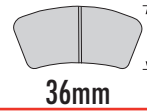
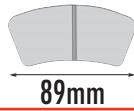


1 Wear Indicator pad per set

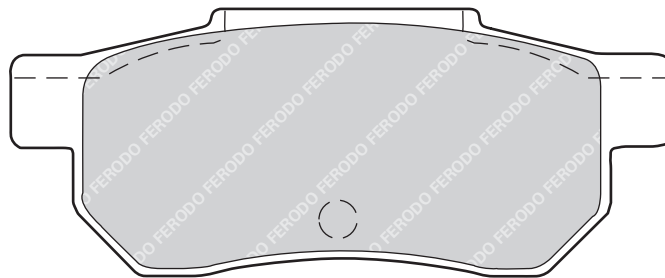
LANDROVER



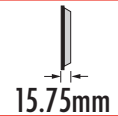
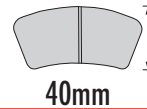
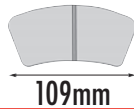
FDB472



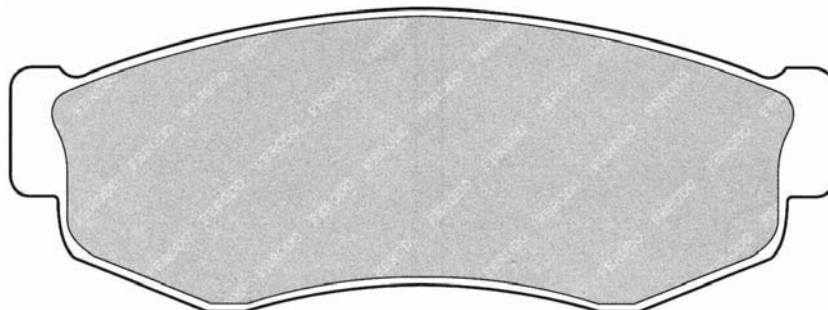
HONDA



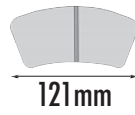
FDB473



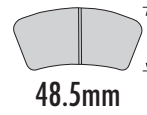
NISSAN



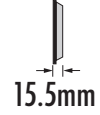
FDB474



121mm



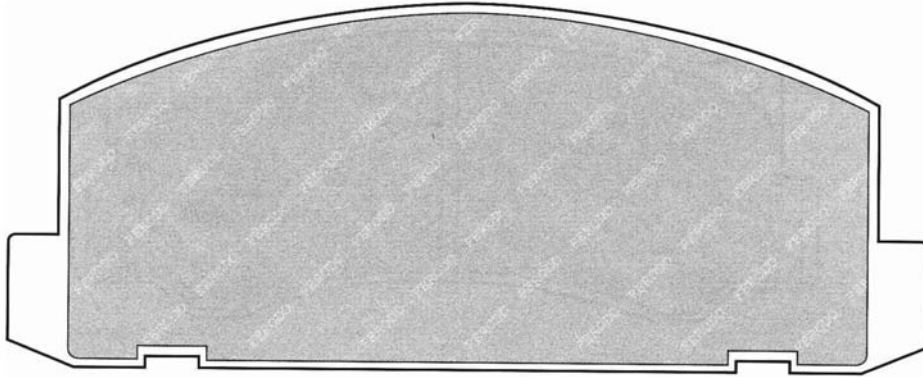
48.5mm



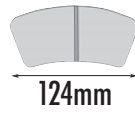
15.5mm

1 Set = 2 x L/H & Spring; 2 x R/H & Spring

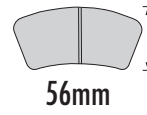
ISUZU



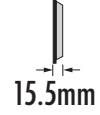
FDB476



124mm



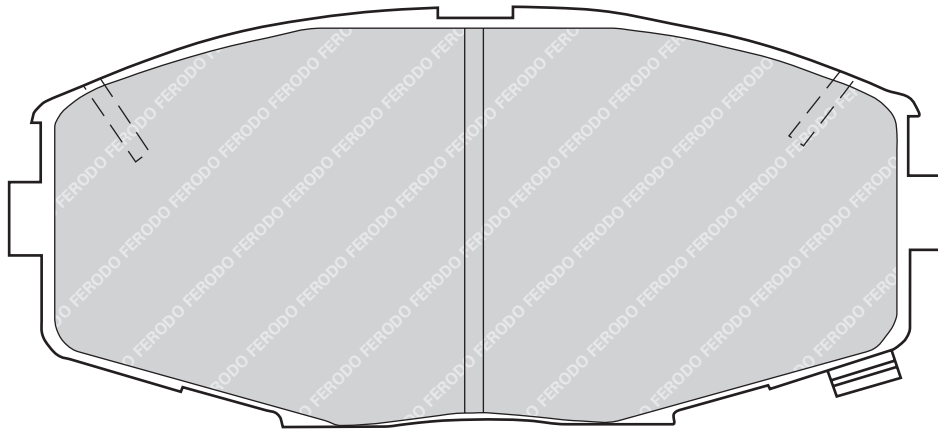
56mm



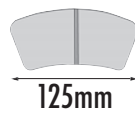
15.5mm

2 Wear Indicator pads per set - Handed

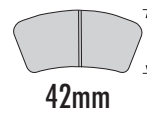
TOYOTA



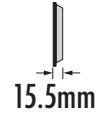
FDB477



125mm



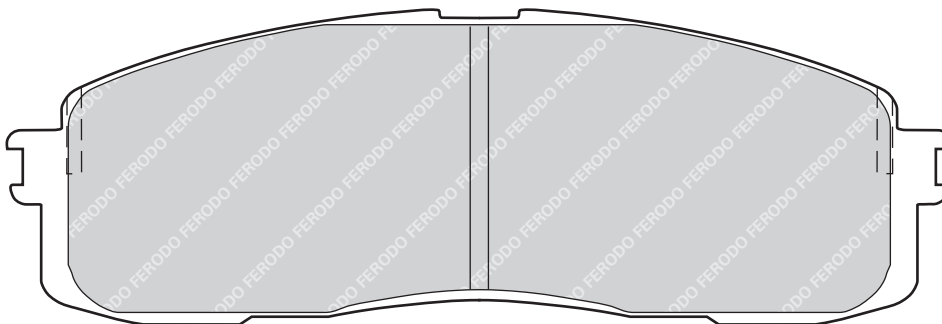
42mm



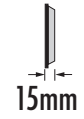
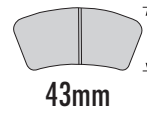
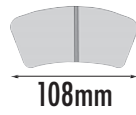
15.5mm

2 Wear Indicator pads per set (Supplied Loose)

TOYOTA

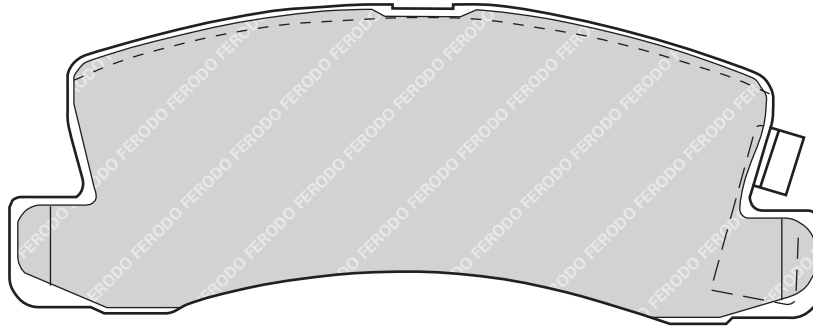


FDB478

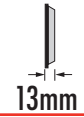
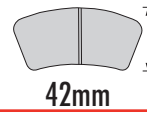
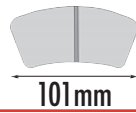


4 Wear Indicator pads per set - Handed

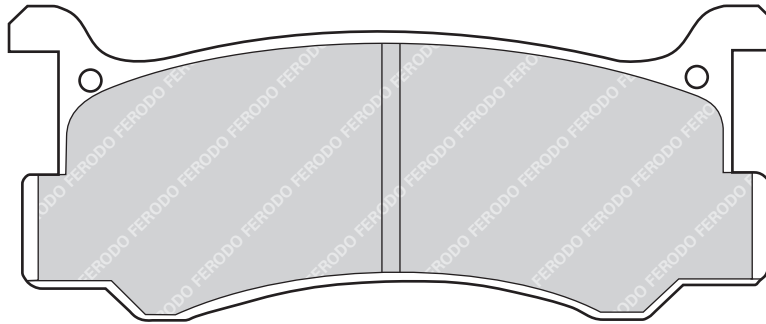
TOYOTA



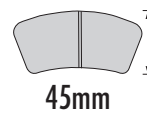
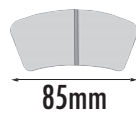
FDB482



FORD, MAZDA

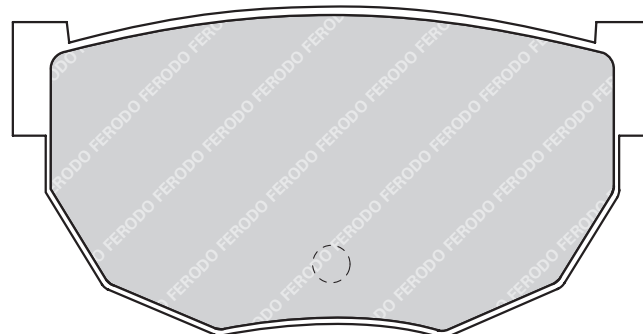
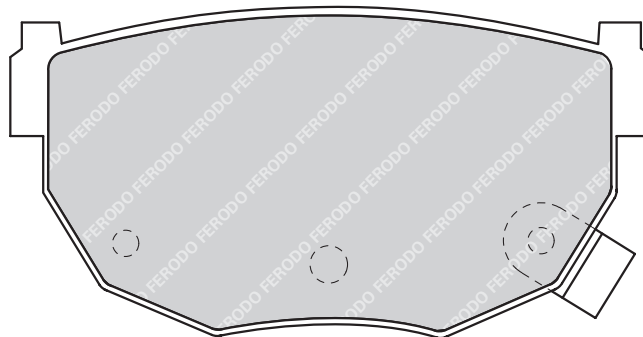


FDB484

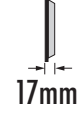
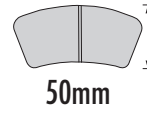
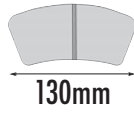


2 Wear Indicator pads per set - Handed

NISSAN

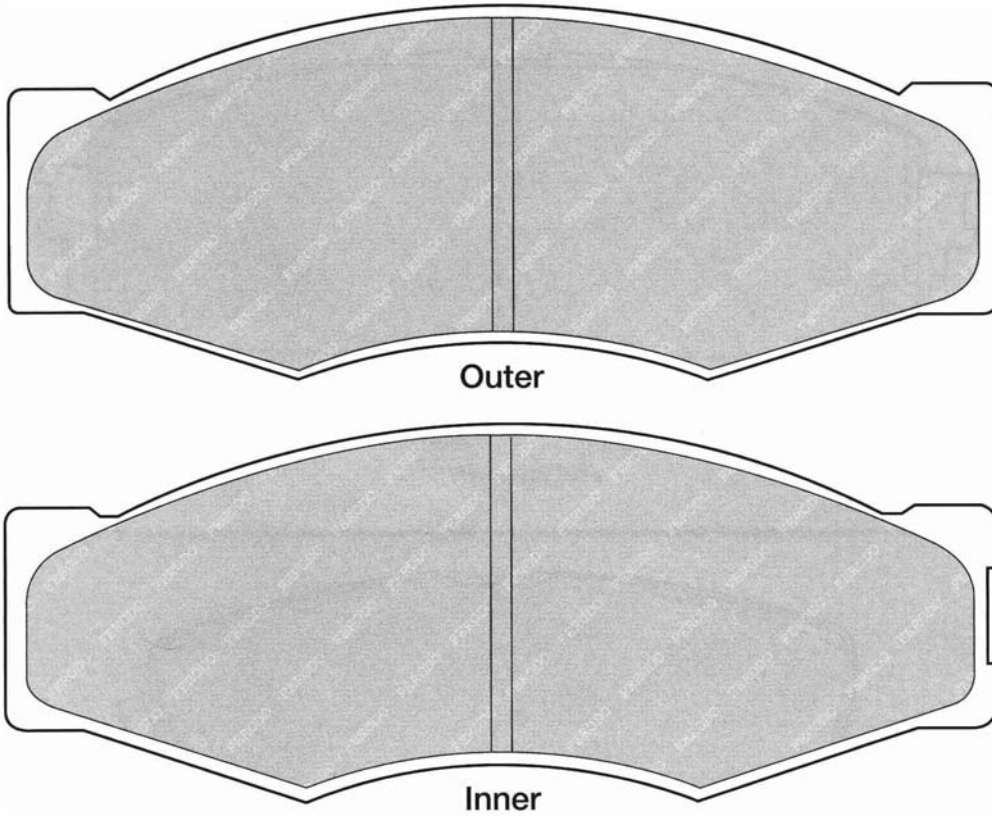


FDB486

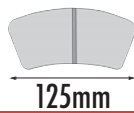


2 Wear Indicator pads per set

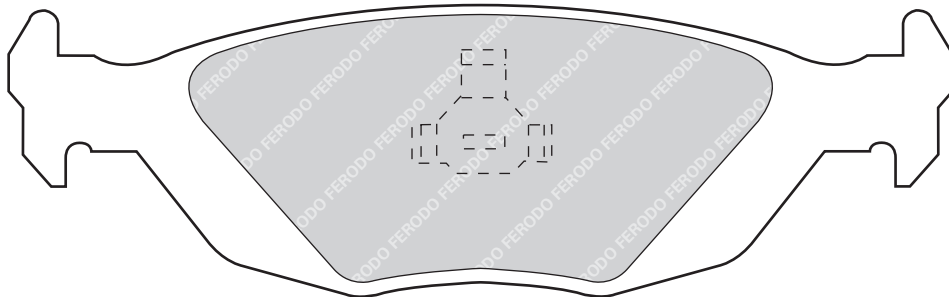
NISSAN, FORD COMM., ISUZU COMM., MAZDA COMM.,
MITSUBISHI COMM., NISSAN, OPEL



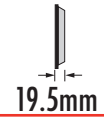
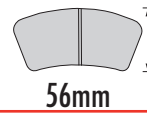
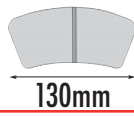
FDB506



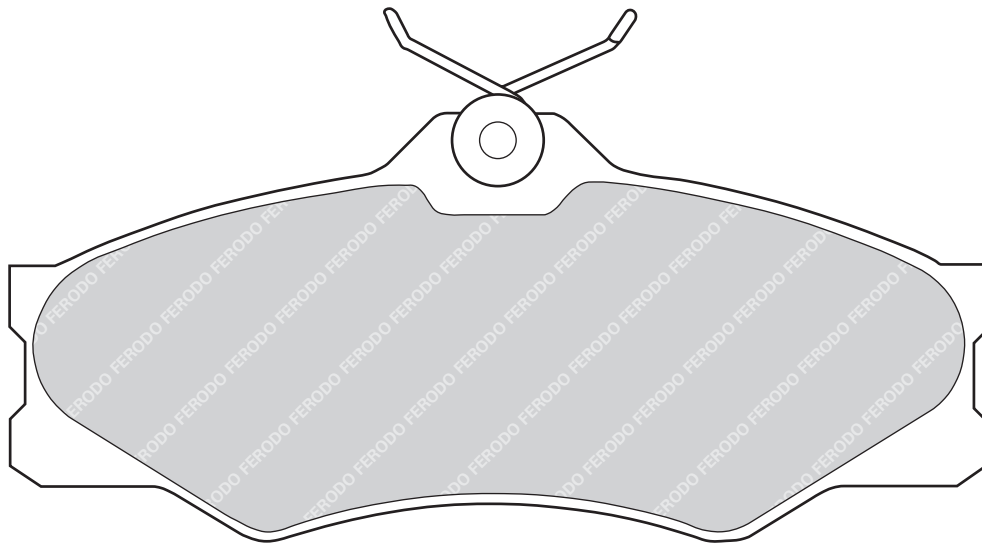
SAAB



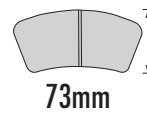
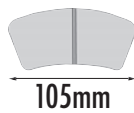
FDB517



VOLKSWAGEN COMM.

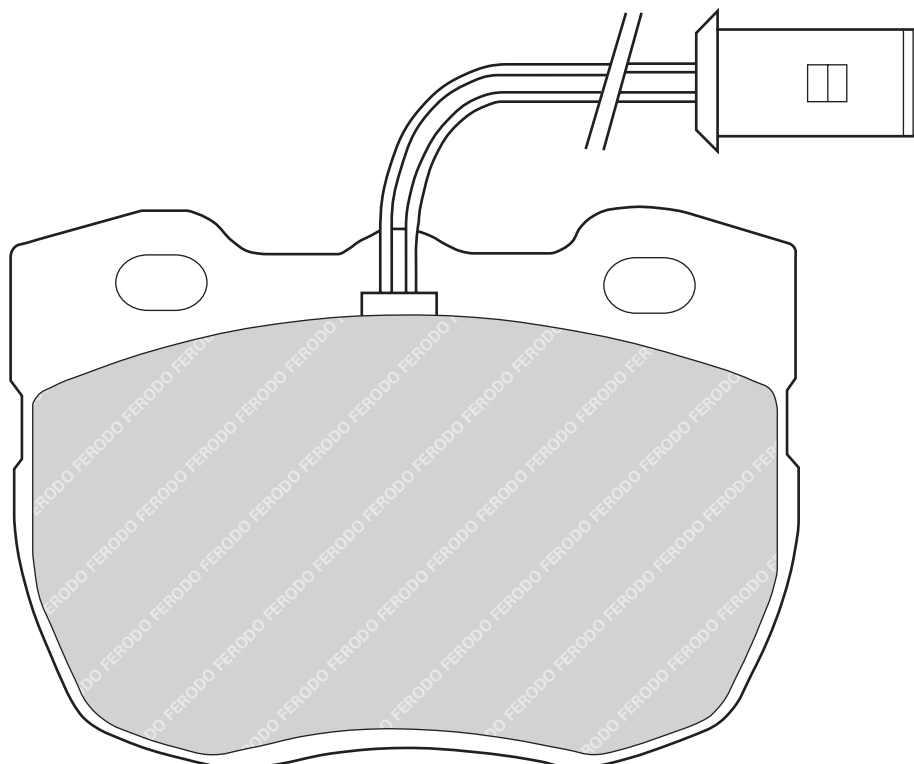


FDB520

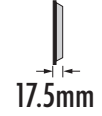
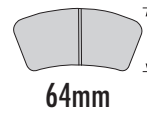
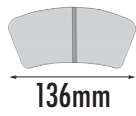


1 Wear Indicator pad per set

LANDROVER

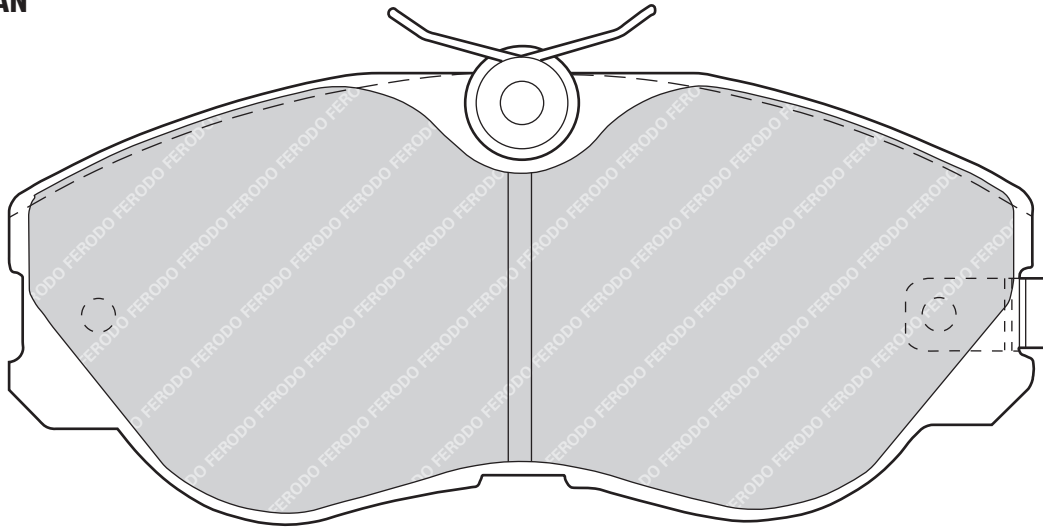


FDB522

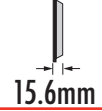
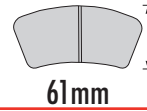
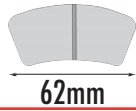


2 Wear Indicator pads per set - Handed

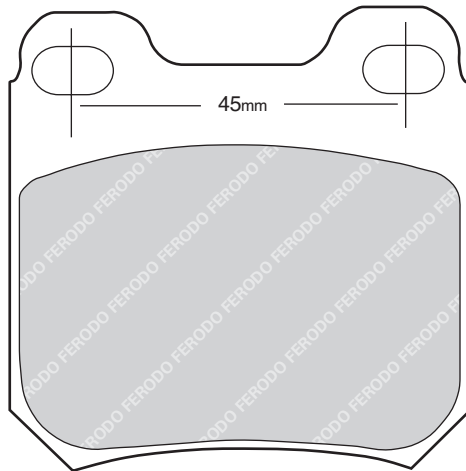
NISSAN



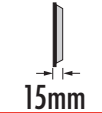
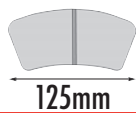
FDB525



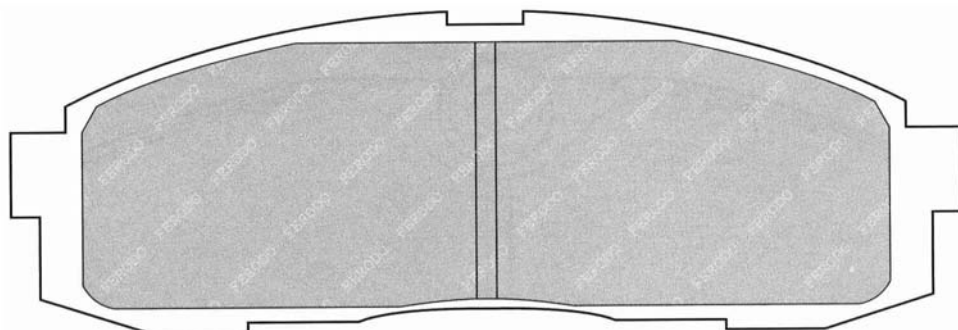
OPEL



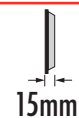
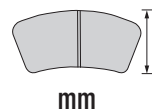
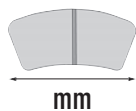
FDB526



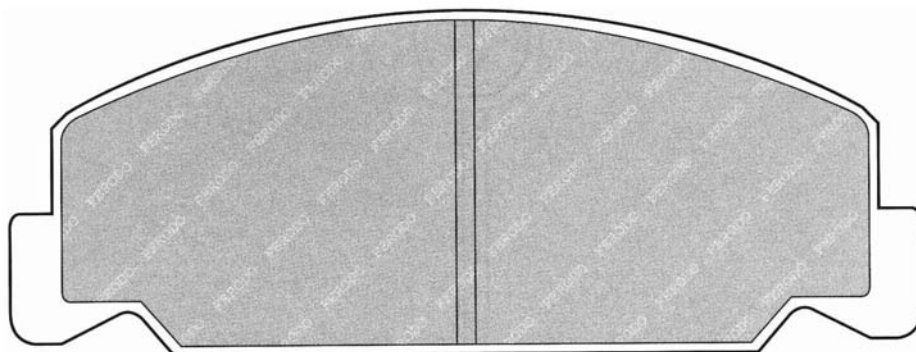
TOYOTA



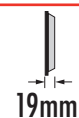
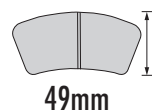
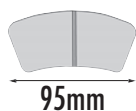
FDB530



HONDA

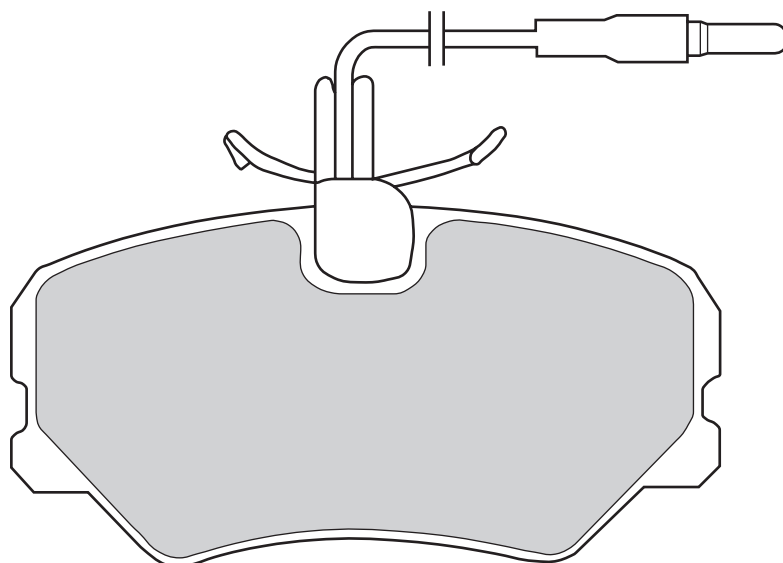


FDB540

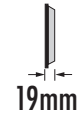
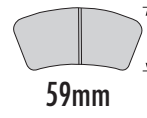
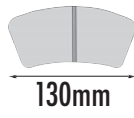


2 Wear Indicator pads per set

PEUGEOT

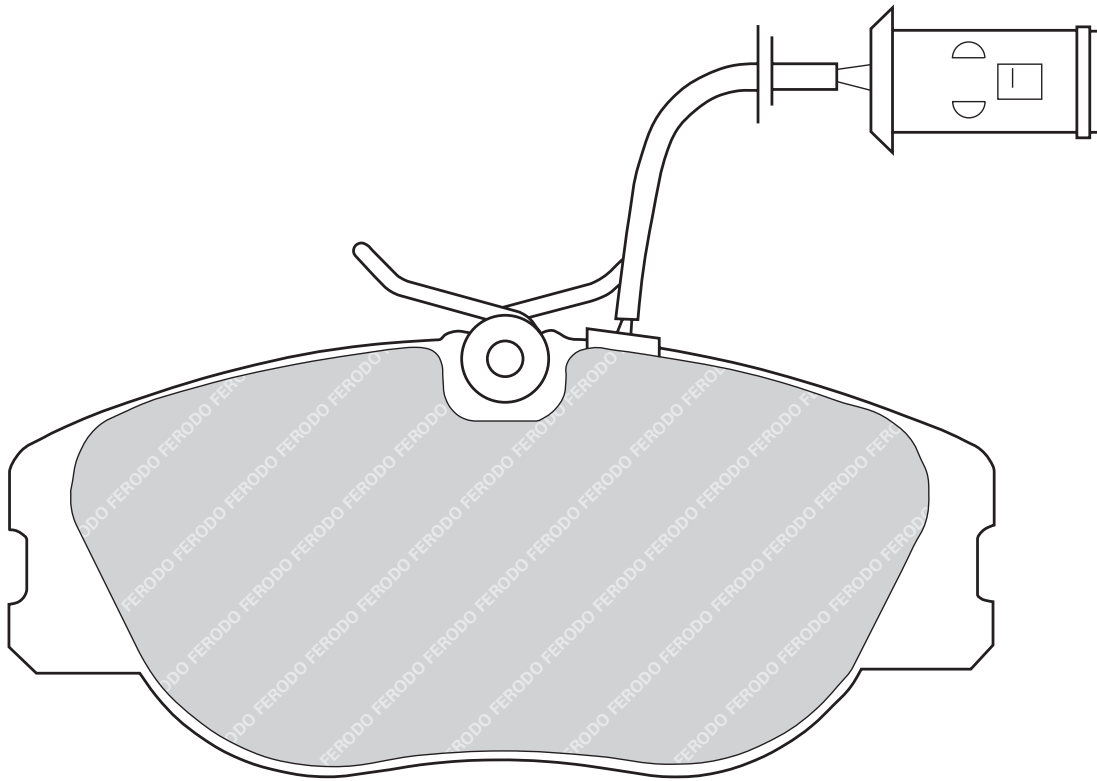


FDB542

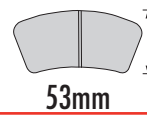
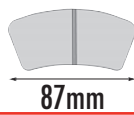


2 Wear Indicator pads per set

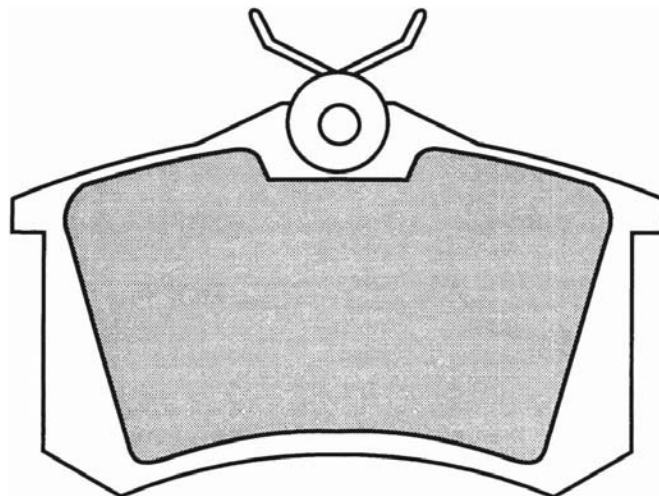
ALFA ROMEO



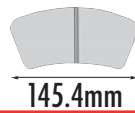
FDB544



PEUGEOT, VOLKSWAGEN



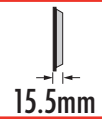
FDB554



145.4mm

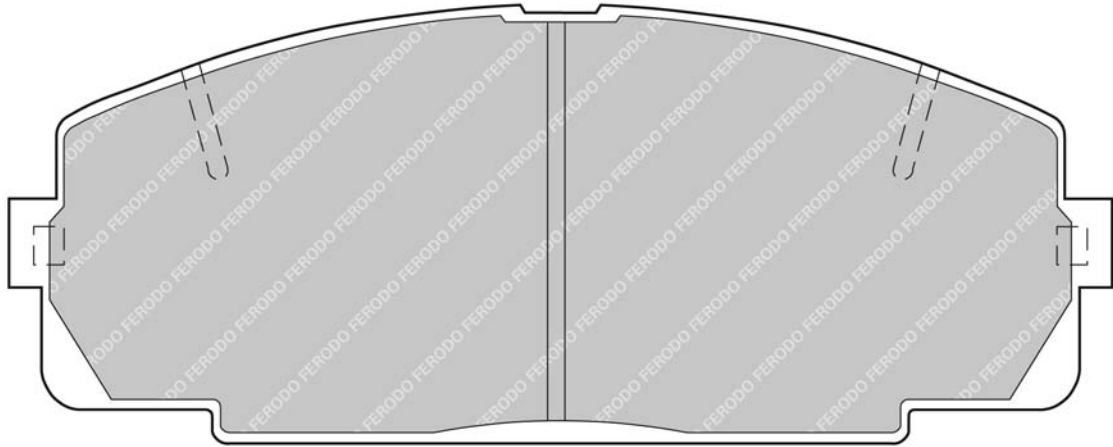


57mm

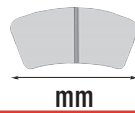


15.5mm

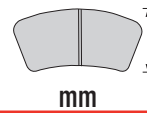
TOYOTA COMMERCIAL



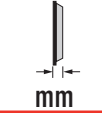
FDB554Q



mm

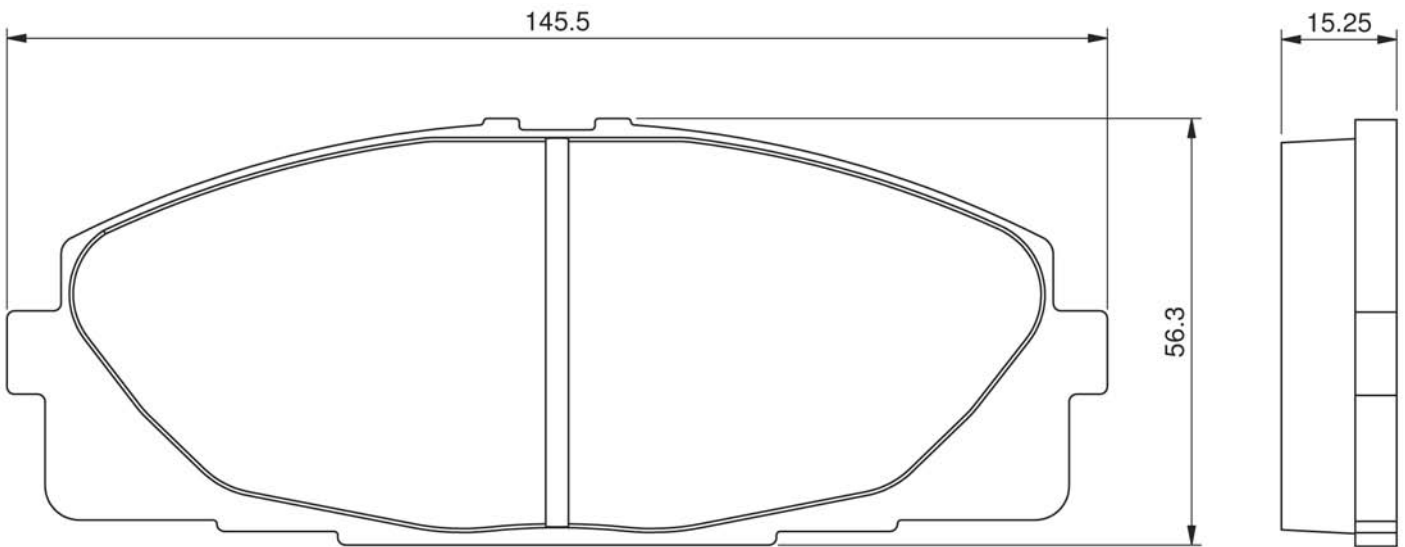


mm

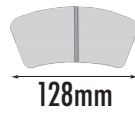


mm

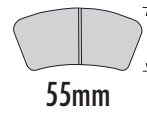
TOYOTA COMMERCIAL



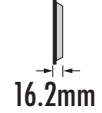
FDB556



128mm



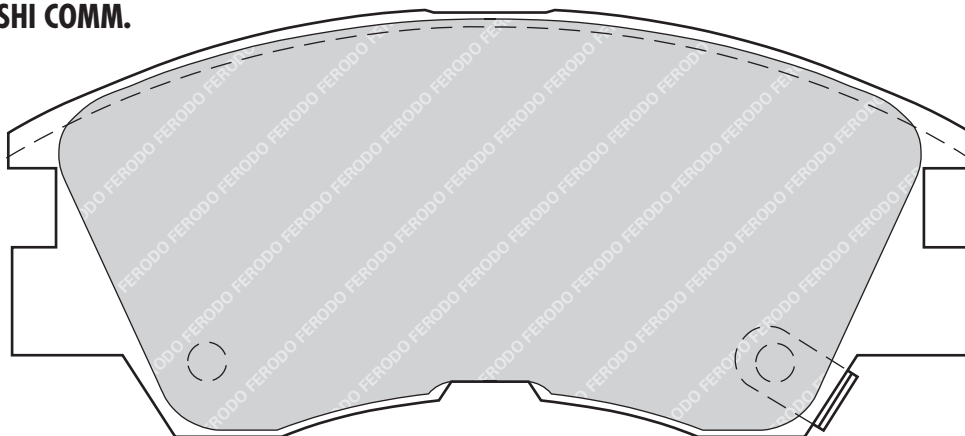
55mm



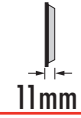
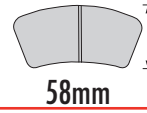
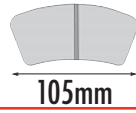
16.2mm

2 Wear Indicator pads per set - Handed

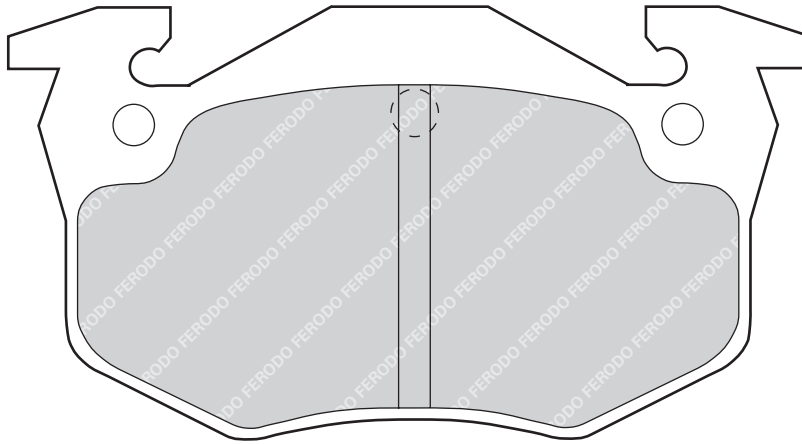
MITSUBISHI COMM.



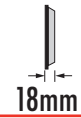
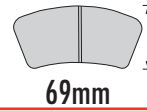
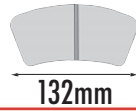
FDB558



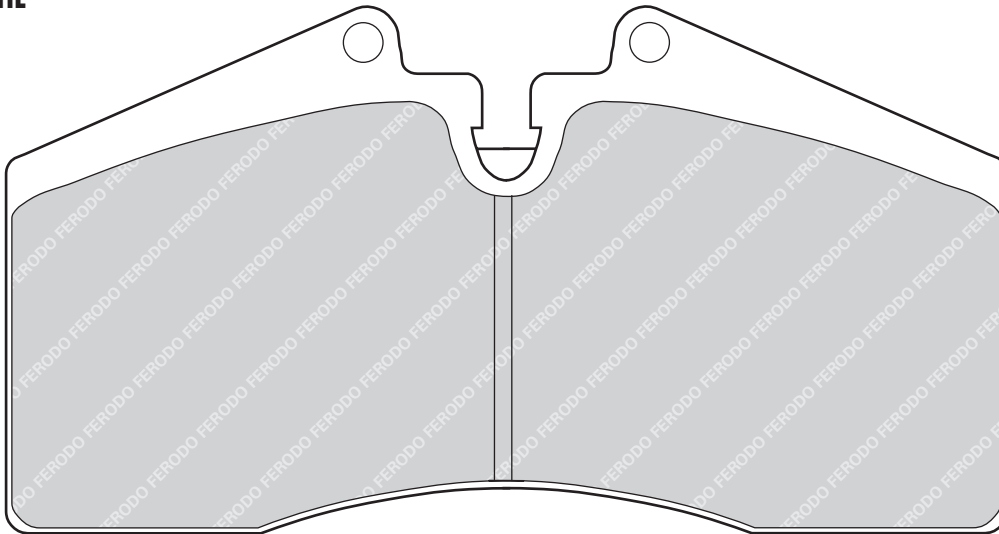
PEUGEOT, RENAULT



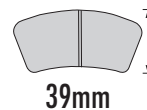
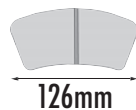
FDB560



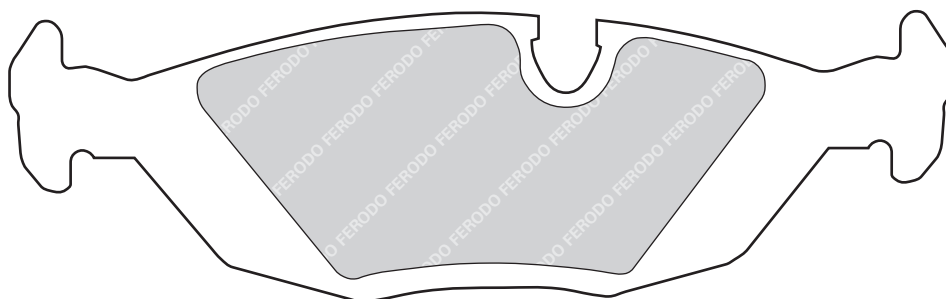
PORSCHE



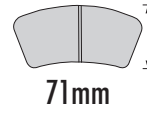
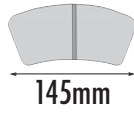
FDB562



SAAB

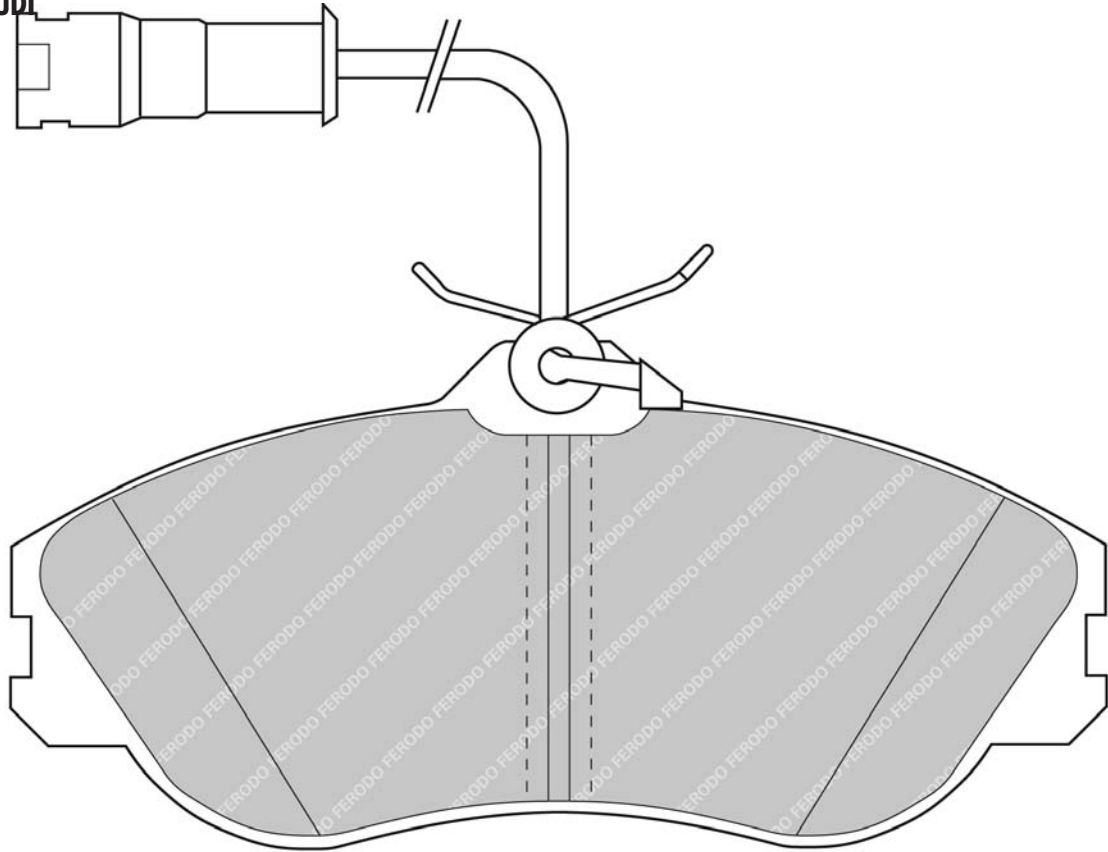


FDB563

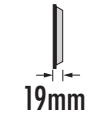
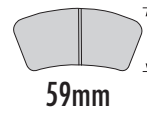
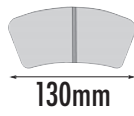


2 Wear Indicator pads per set

AUDI

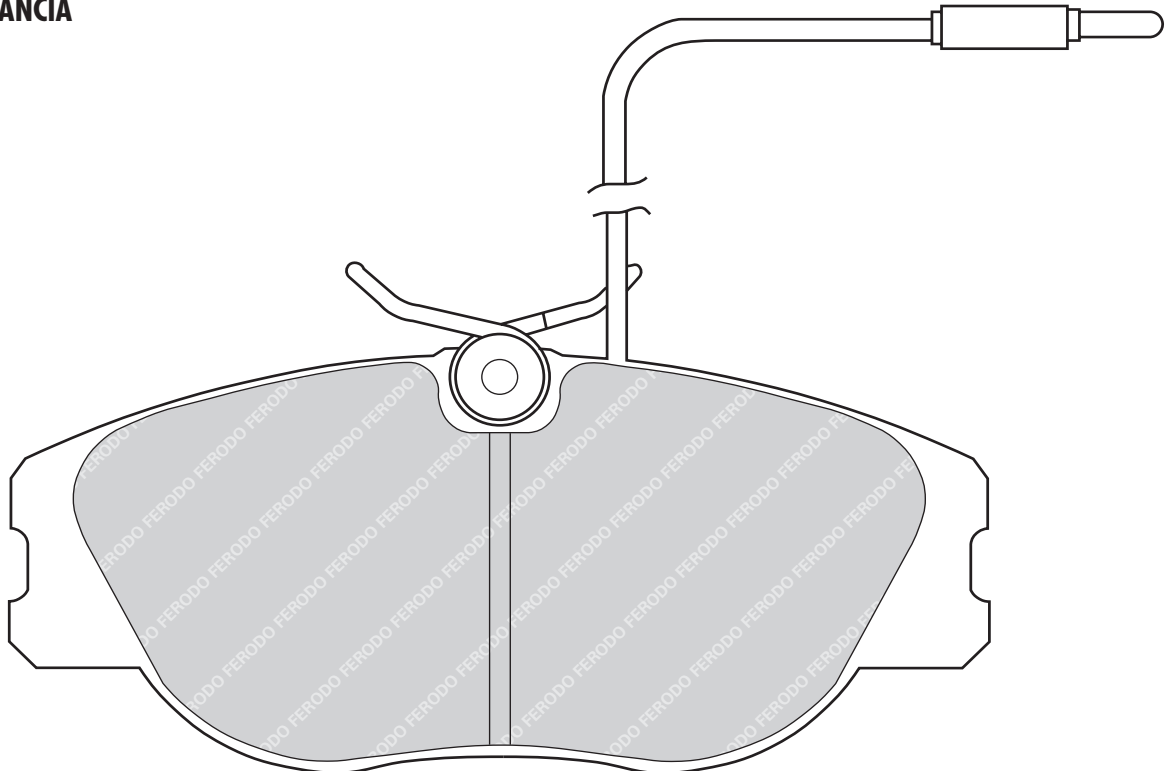


FDB565

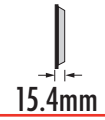
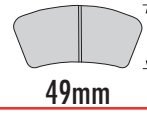
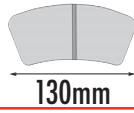


2 Wear Indicator pads per set

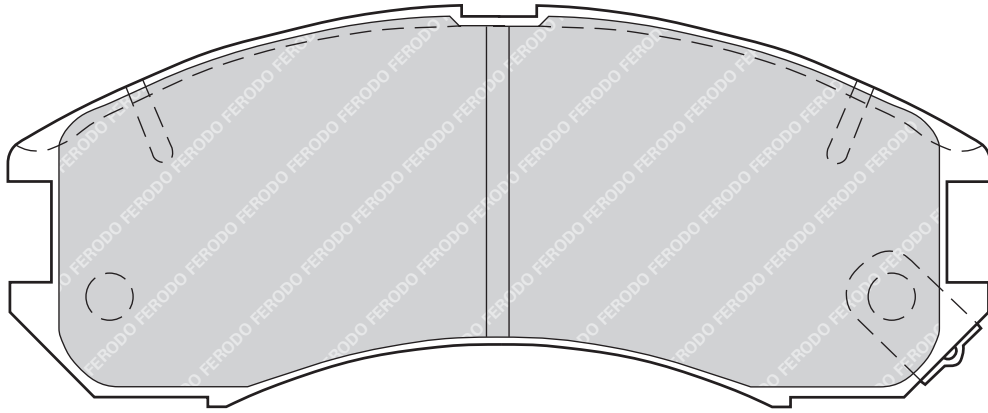
LANCIA



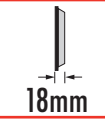
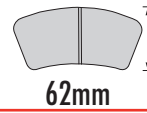
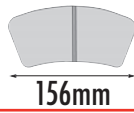
FDB576



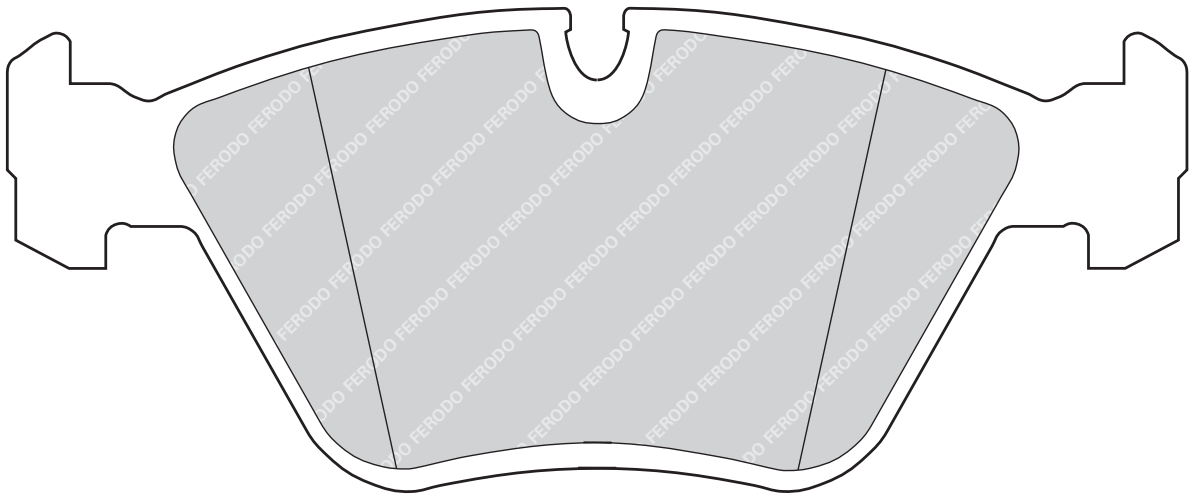
FORD, MAZDA



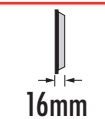
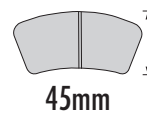
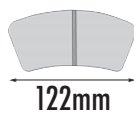
FDB577



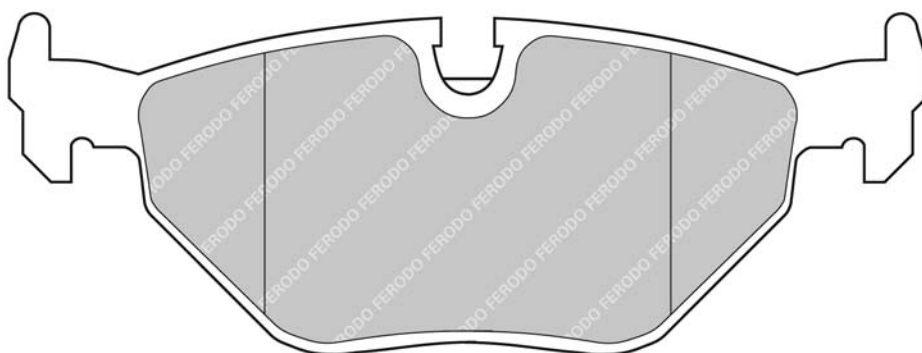
AUDI, DAIMLER, JAGUAR



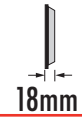
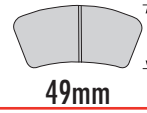
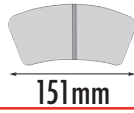
FDB578



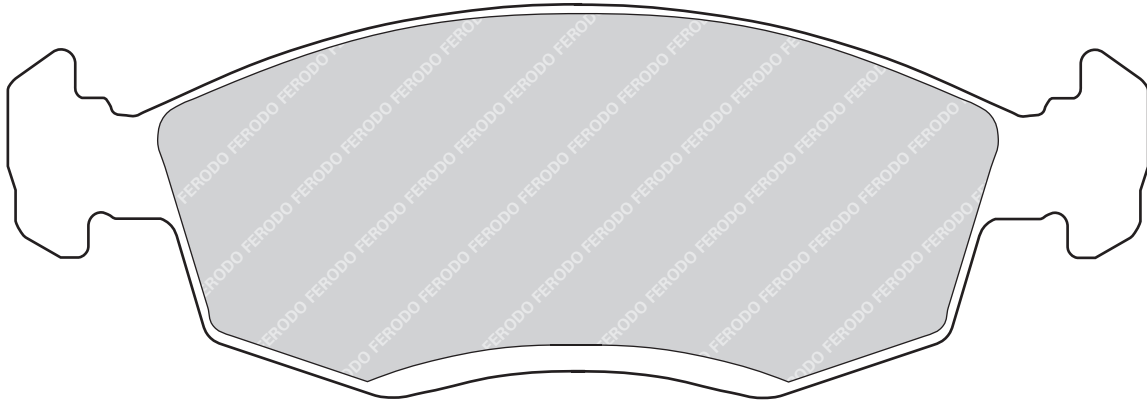
BMW



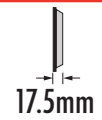
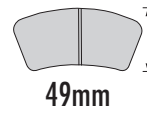
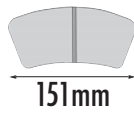
FDB579



FORD

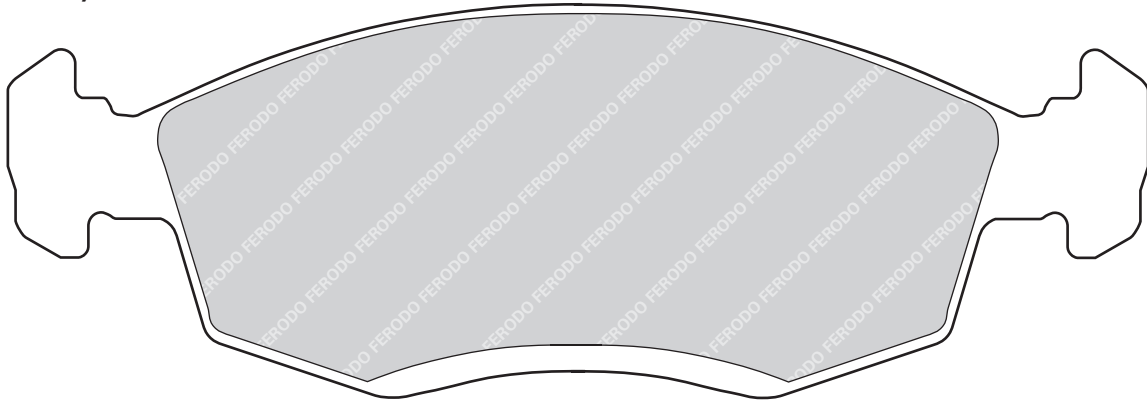


FDB579/1

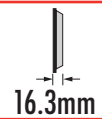


1 Set = 2 x Inners with clips 2 x Outers plain

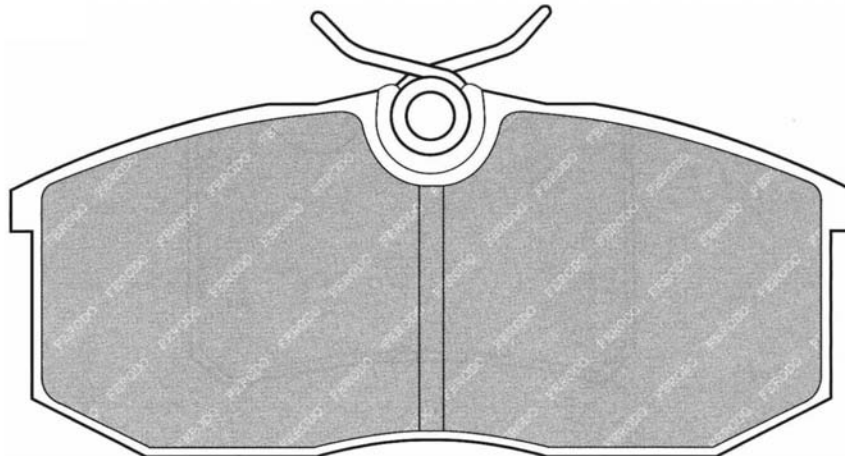
TOYOTA, VOLKSWAGEN



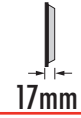
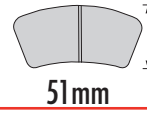
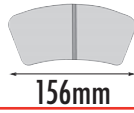
FDB580



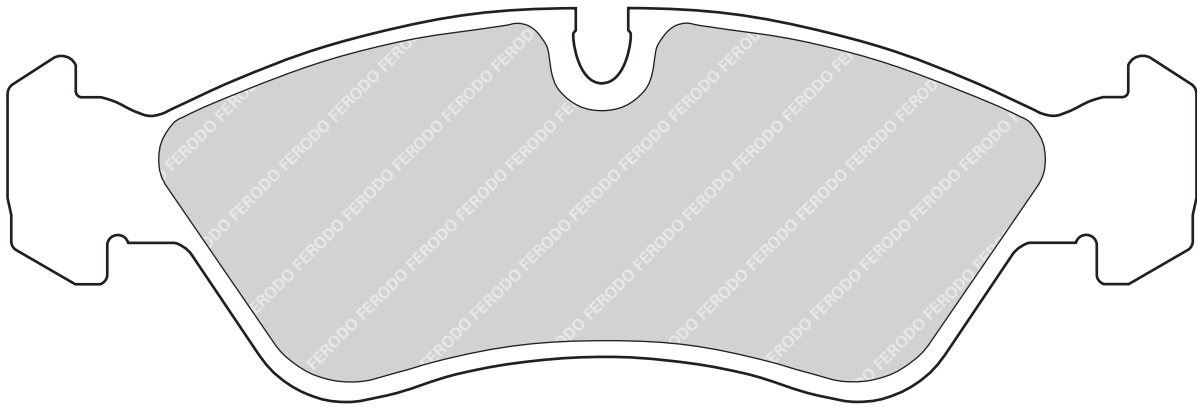
FORD, MAZDA



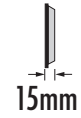
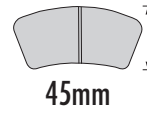
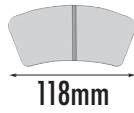
FDB584



OPEL

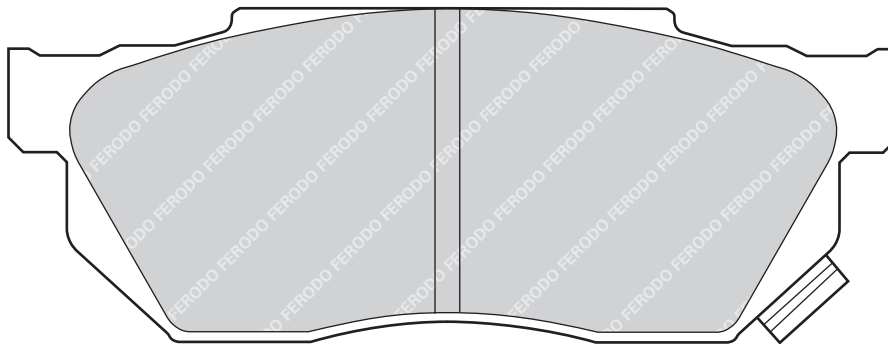


FDB585

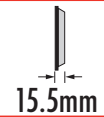
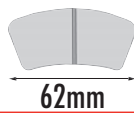


2 Wear Indicator pads per set - Handed

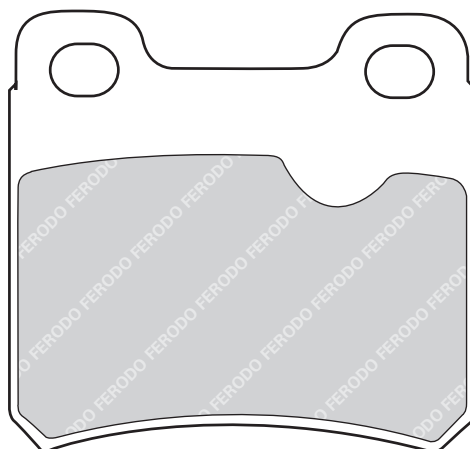
HONDA



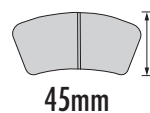
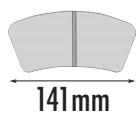
FDB586



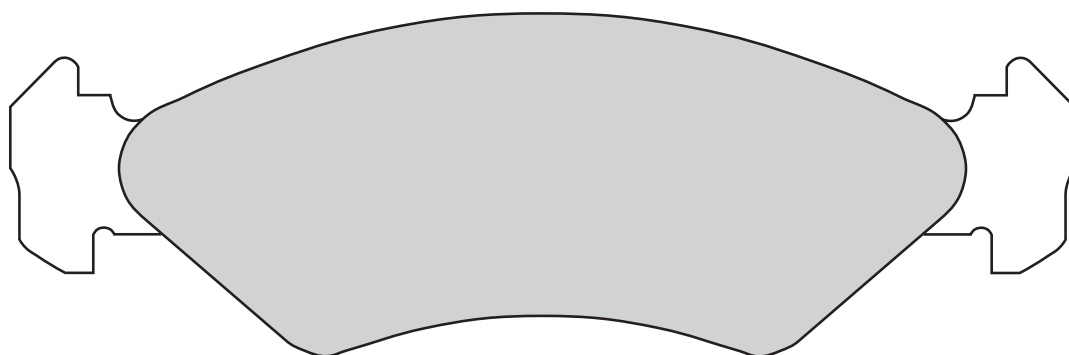
OPEL, SAAB



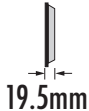
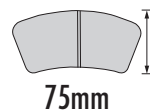
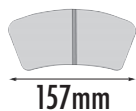
FDB589



FORD, MAZDA

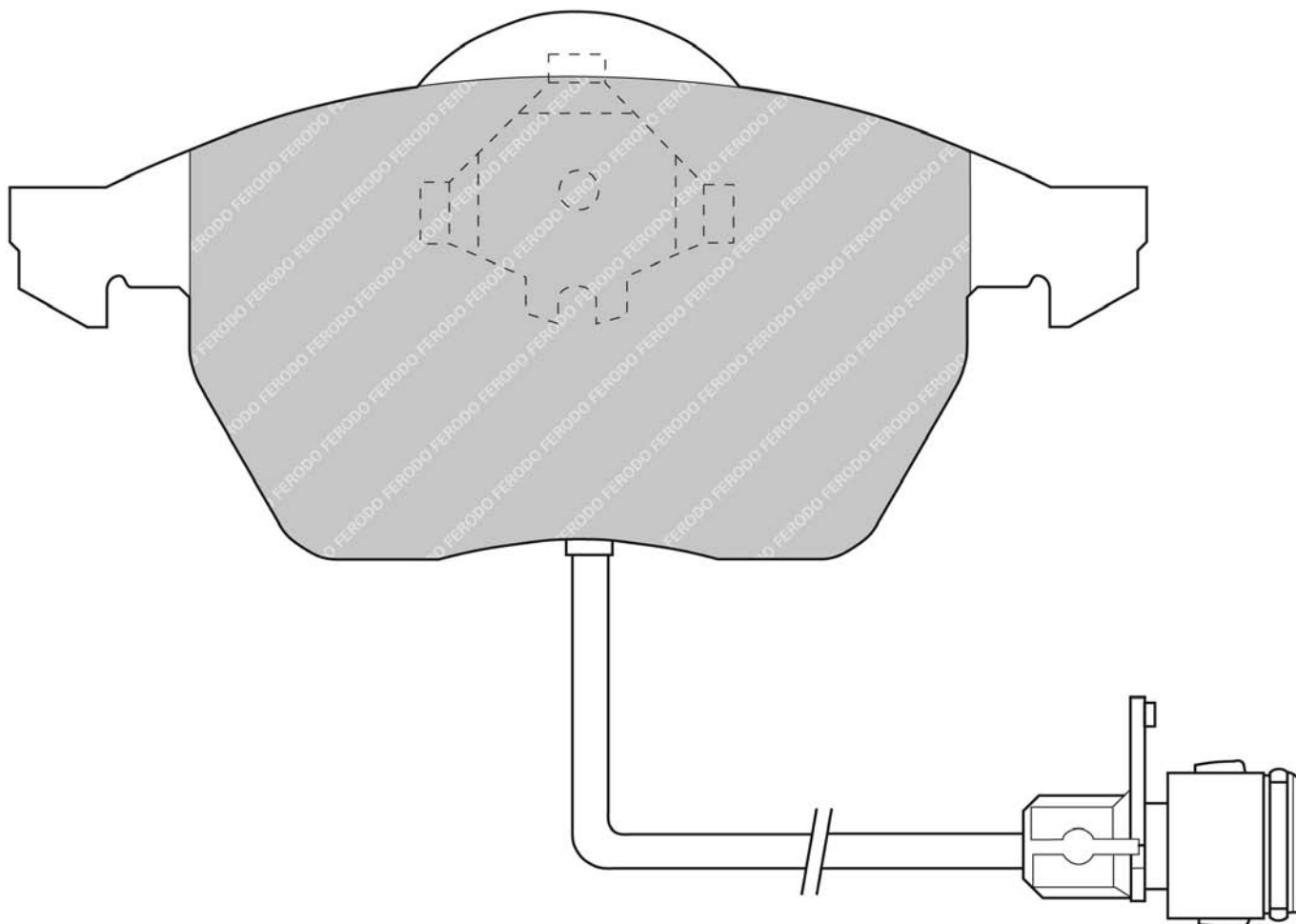


FDB590

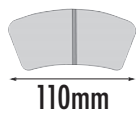


2 Wear Indicator pads per set

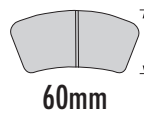
AUDI, VOLKSWAGEN



FDB595



110mm



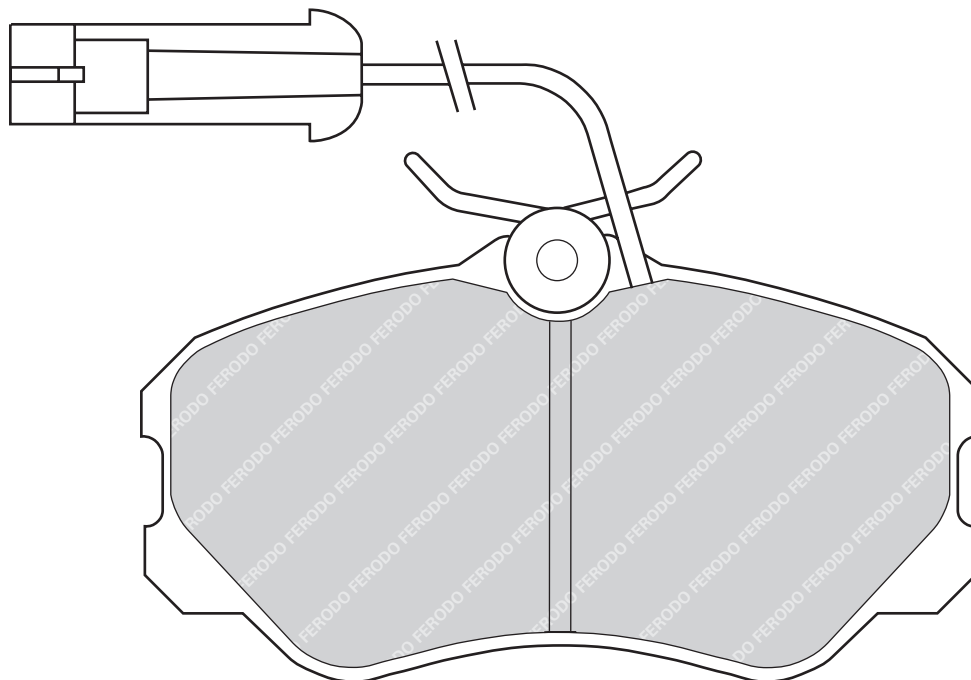
60mm



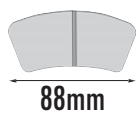
19mm

2 Wear Indicator pads per set

LANCIA



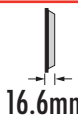
FDB596



88mm

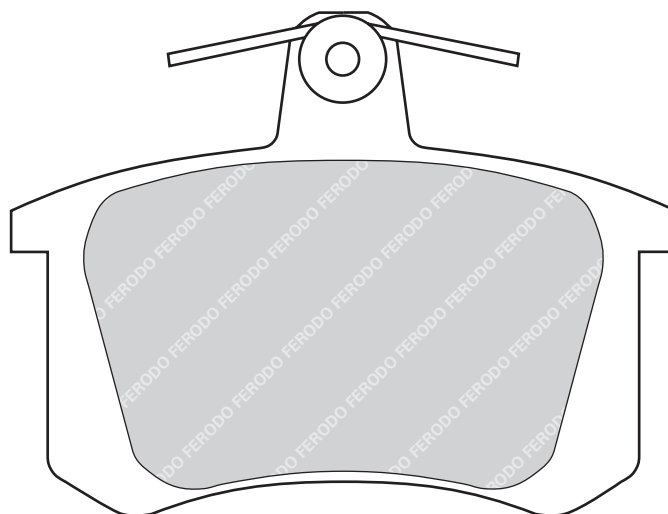


68mm

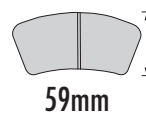
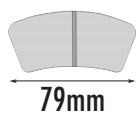


16.6mm

ALFA ROMEO, LANCIA

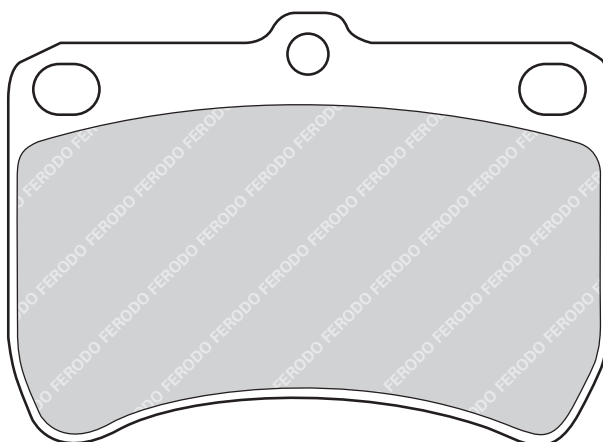
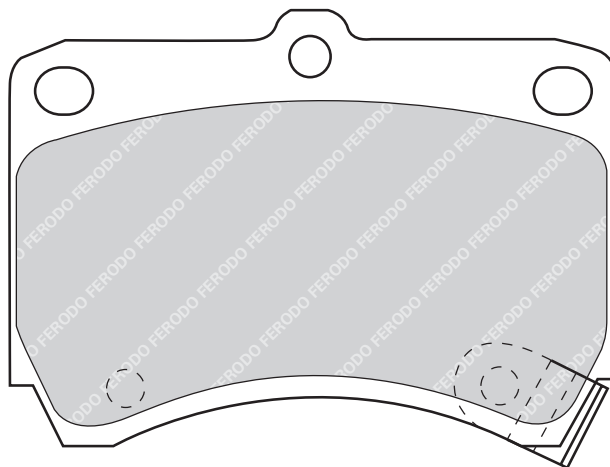


FDB597

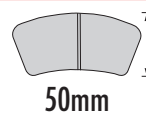
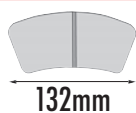


2 Wear Indicator pads per set - Handed

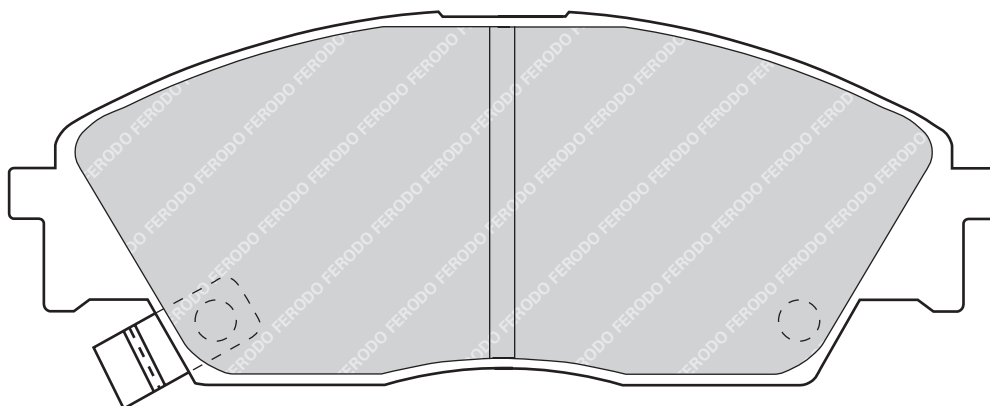
KIA



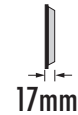
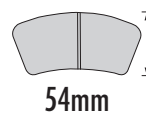
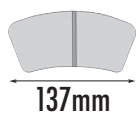
FDB598



HONDA

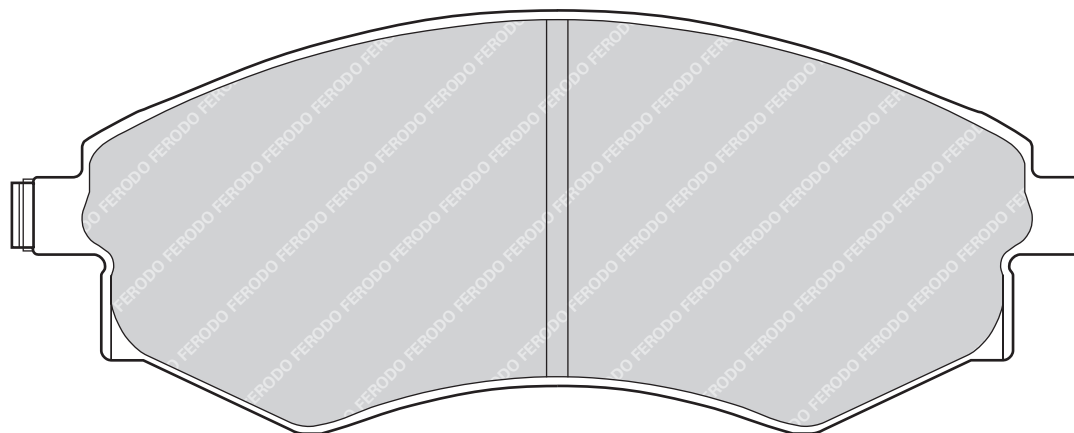


FDB600

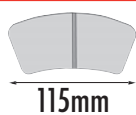


2 Wear Indicator pads per set - Handed

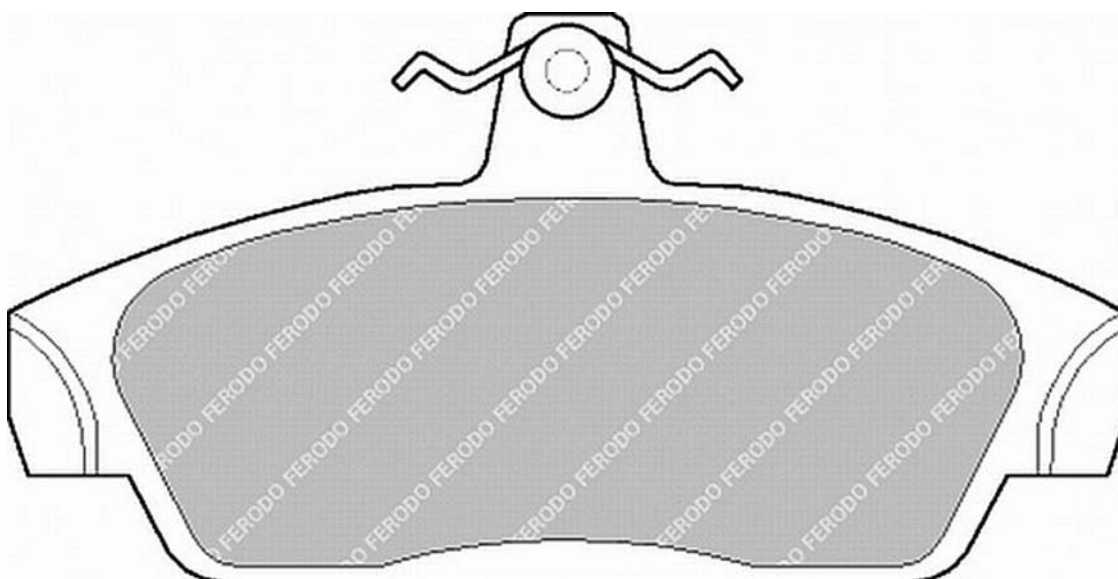
HYUNDAI



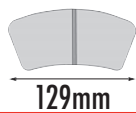
FDB603



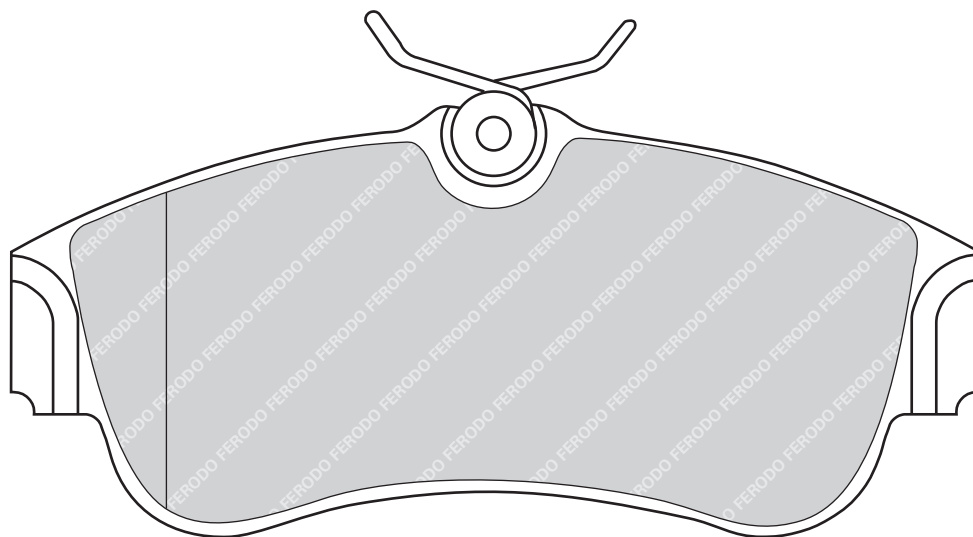
MG



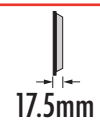
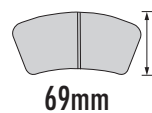
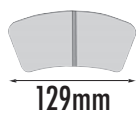
FDB604



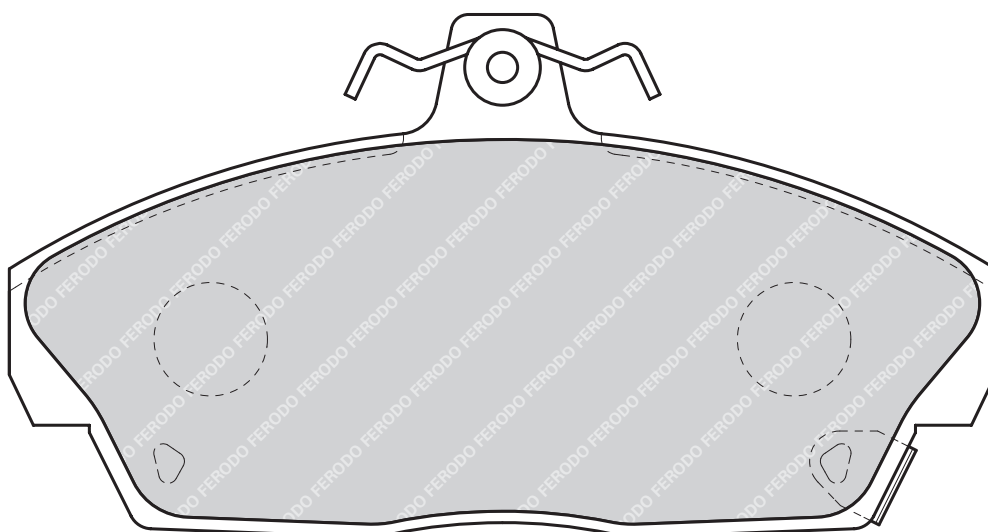
NISSAN



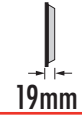
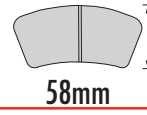
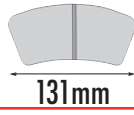
FDB613



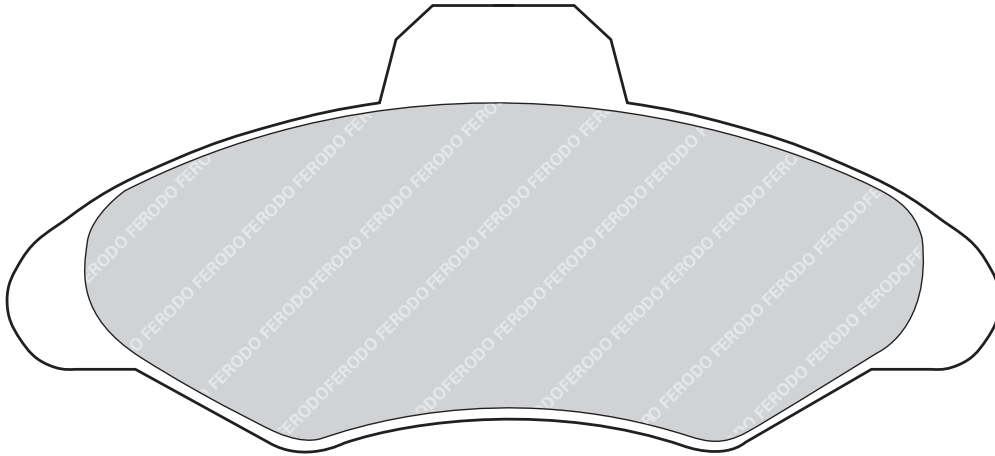
HONDA, ROVER



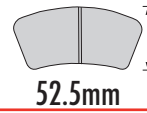
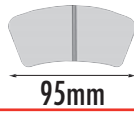
FDB617



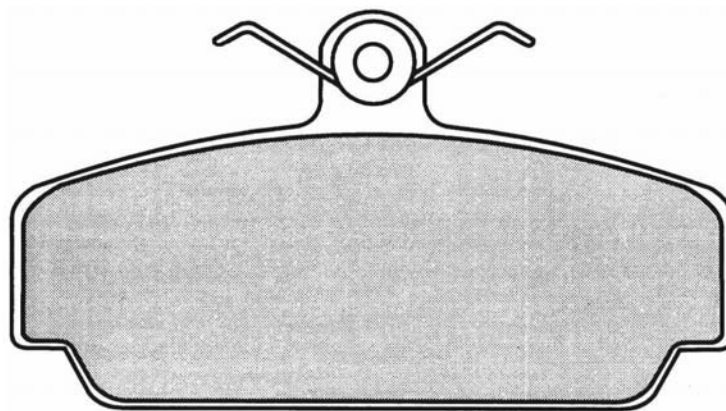
FORD



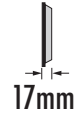
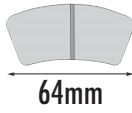
FDB618



NISSAN

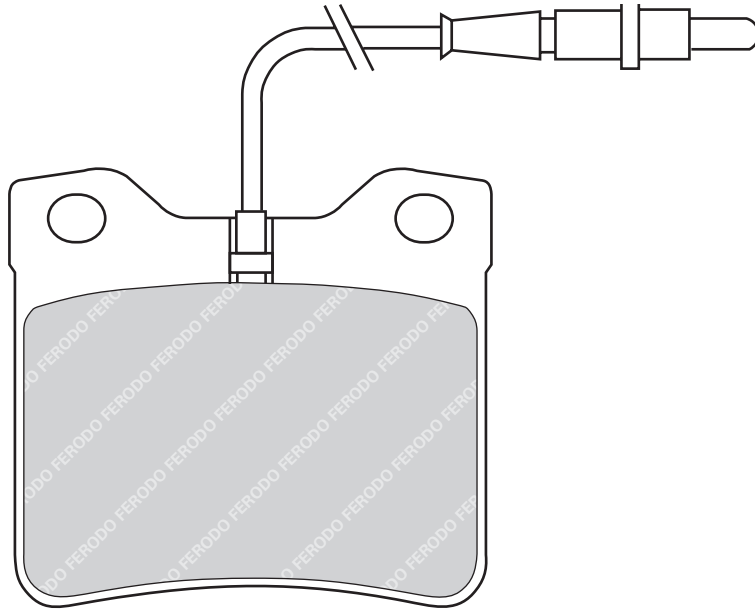


FDB619

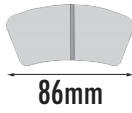


2 Wear Indicator pads per set

PEUGEOT

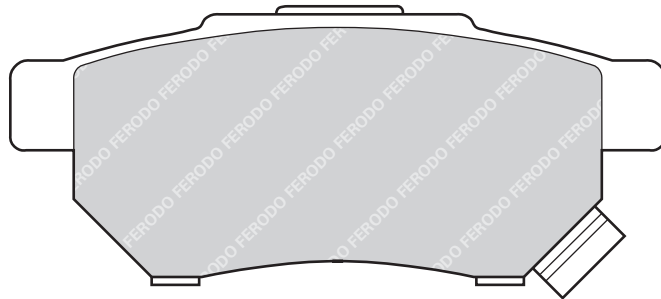


FDB621

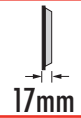
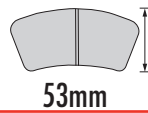
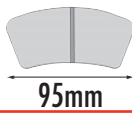


2 Wear Indicator pads per set - Handed

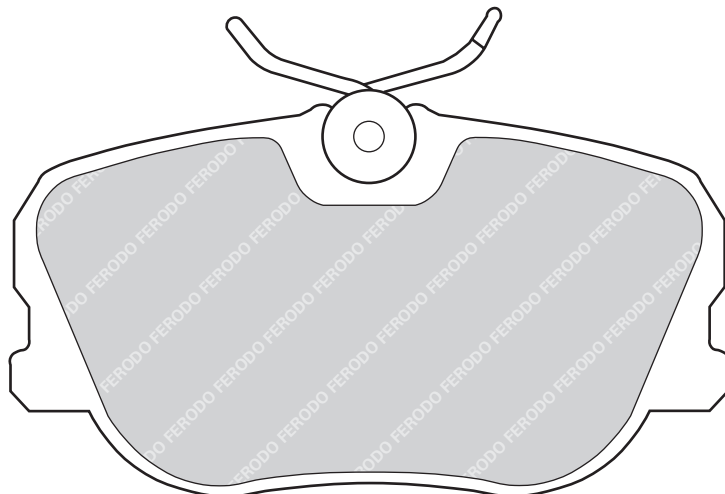
HONDA



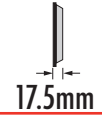
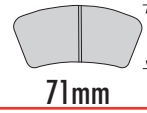
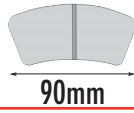
FDB622



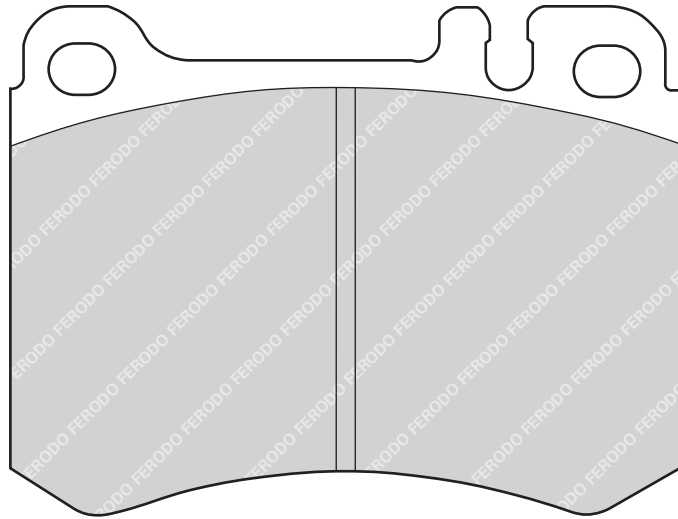
SAAB



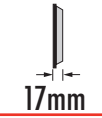
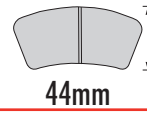
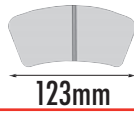
FDB629



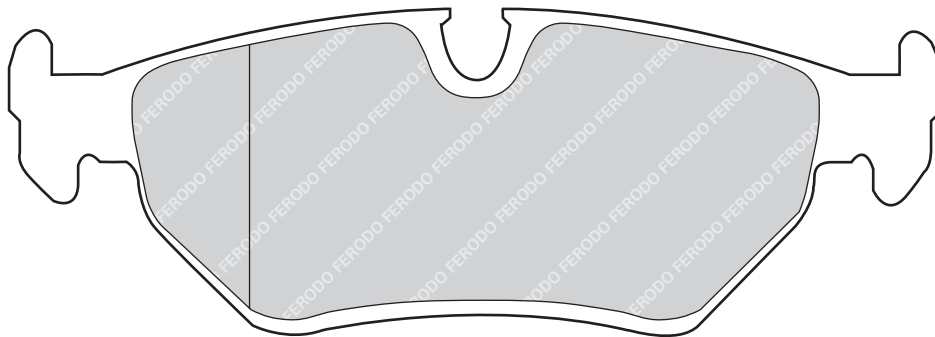
MERCEDES BENZ



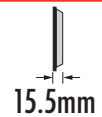
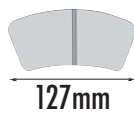
FDB632



JAGUAR

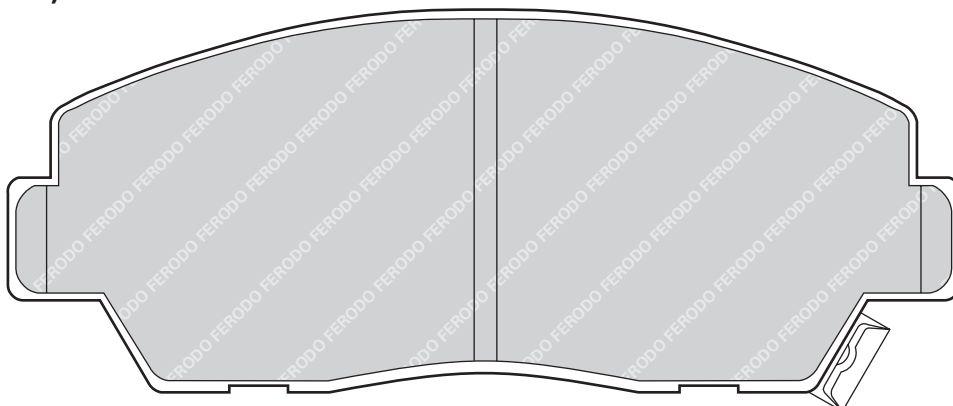


FDB633

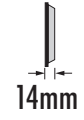
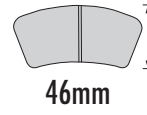
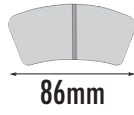


2 Wear Indicator pads per set - Handed

FORD COMM., MAZDA COMM.

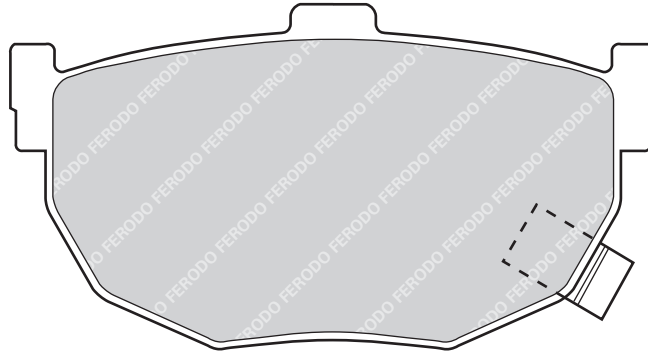


FDB638

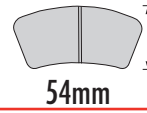
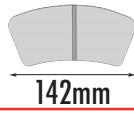


2 Wear Indicator pads per set - Handed

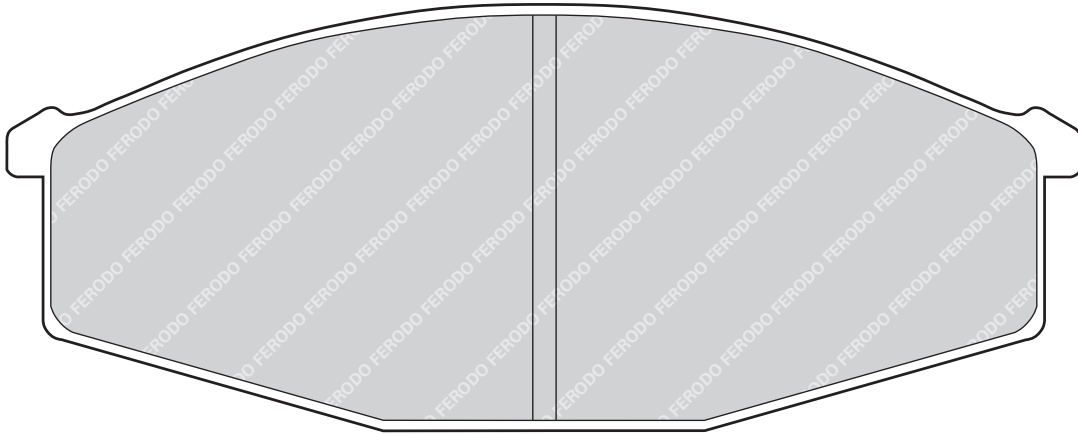
HYUNDAI



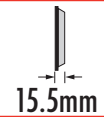
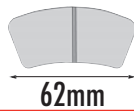
FDB643



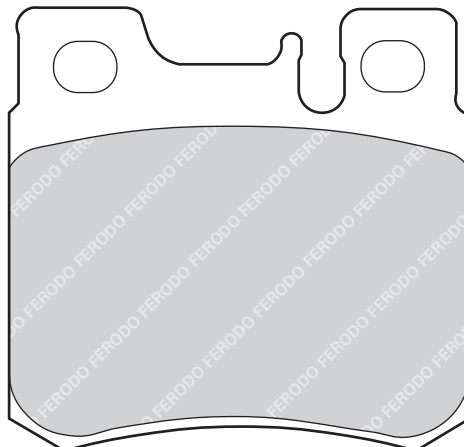
NISSAN



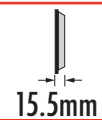
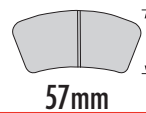
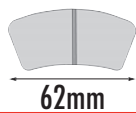
FDB644



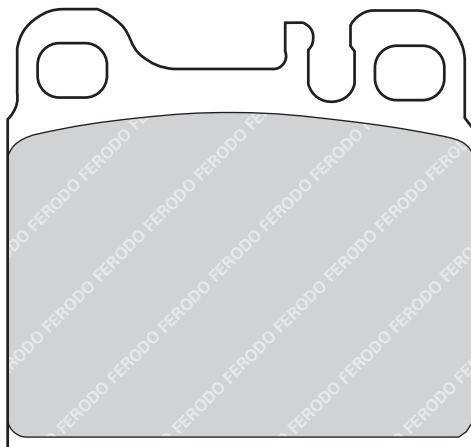
MERCEDES BENZ



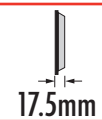
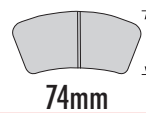
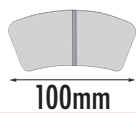
FDB645



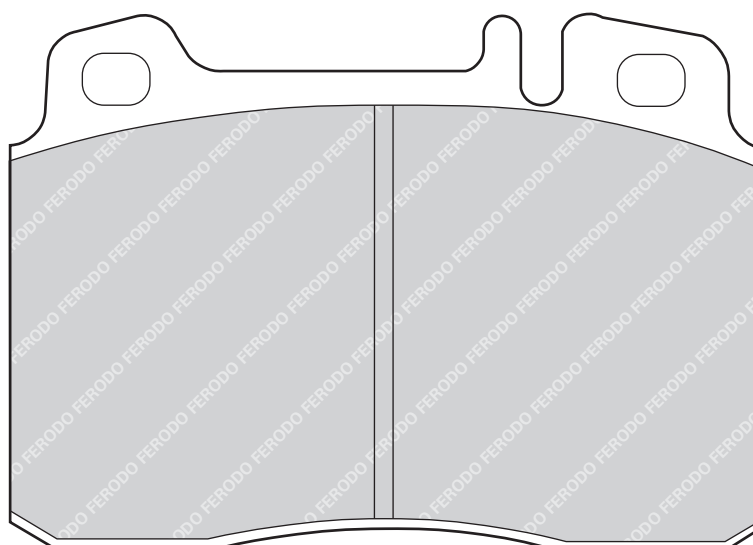
MERCEDES BENZ



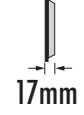
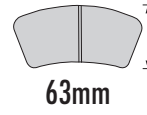
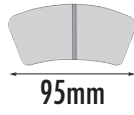
FDB646



MERCEDES BENZ

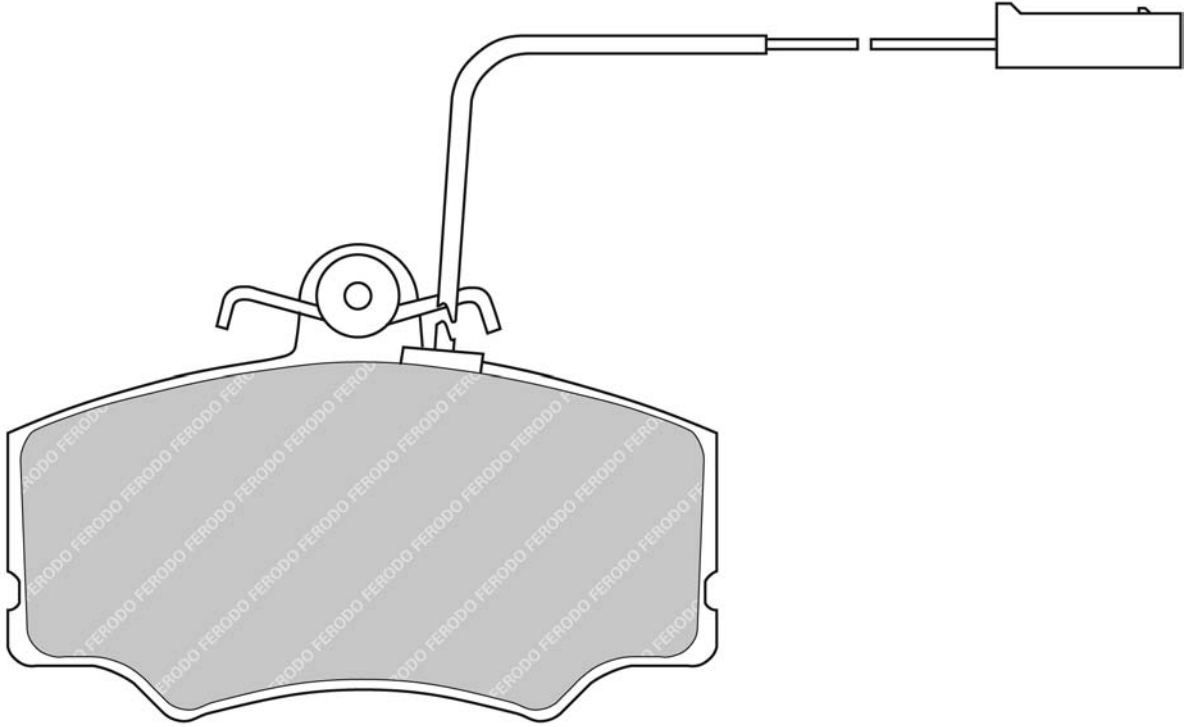


FDB647

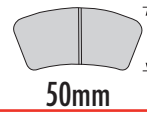
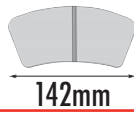


2 Wear Indicator pads per set

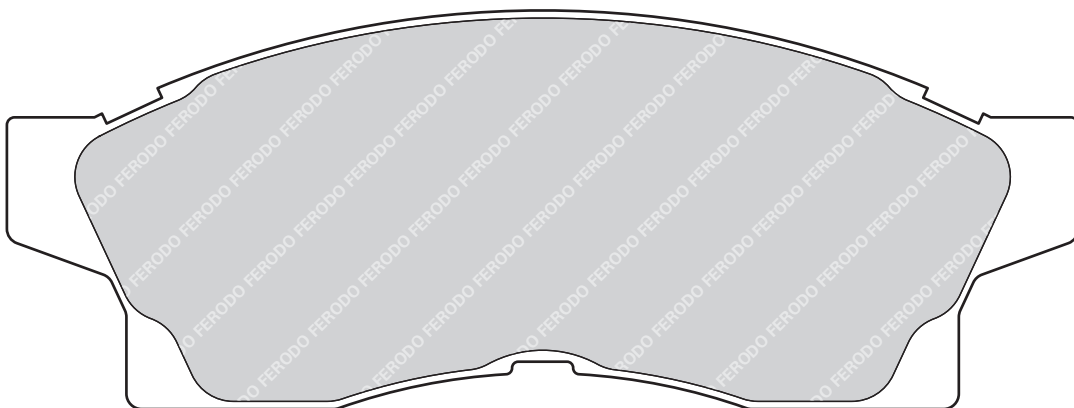
ALFA ROMEO



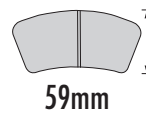
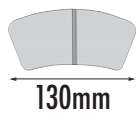
FDB649



TOYOTA

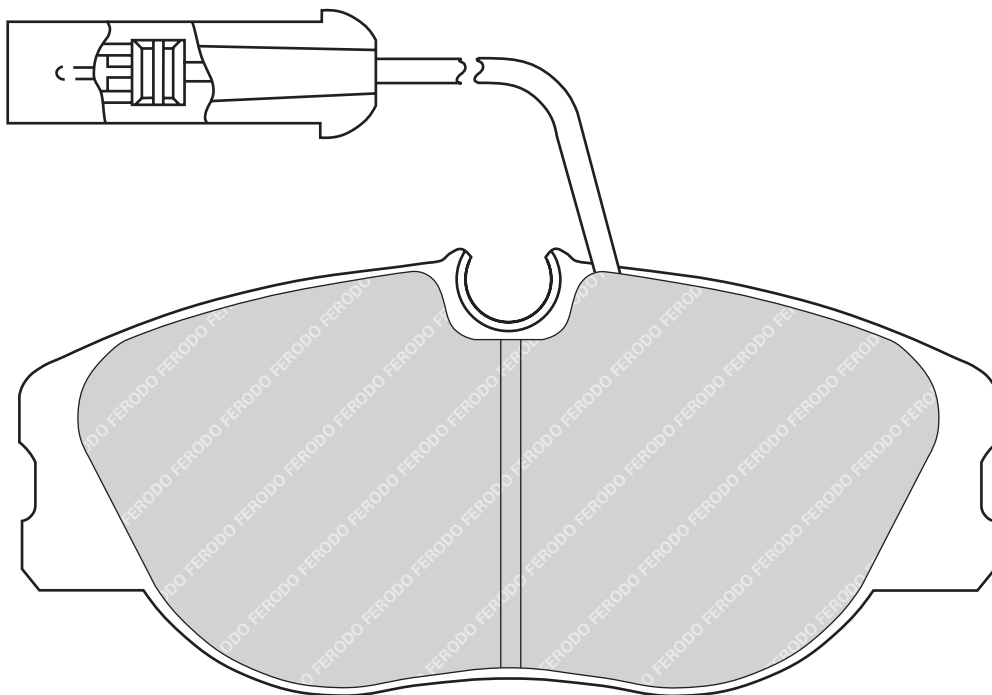


FDB650

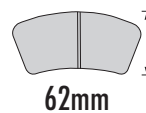
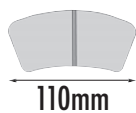


2 Wear Indicator pads per set

LANCIA

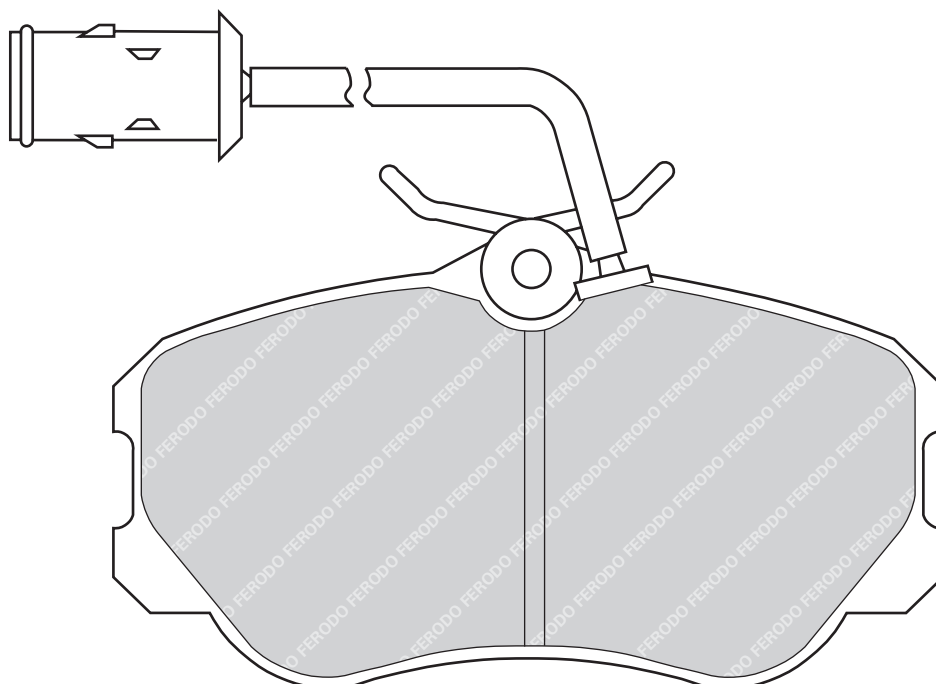


FDB651

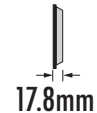
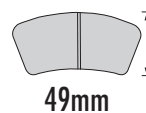
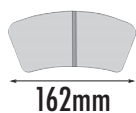


2 Wear Indicator pads per set

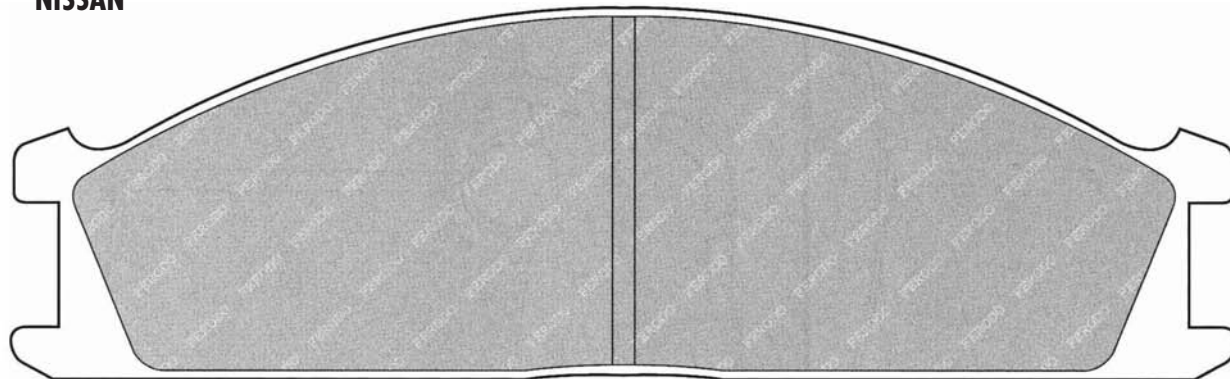
ALFA ROMEO



FDB652



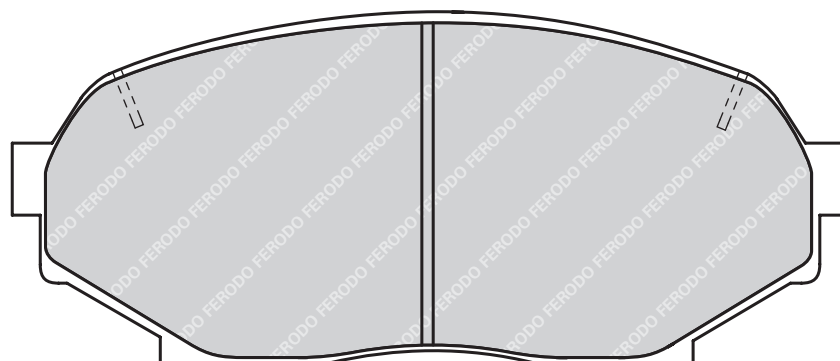
NISSAN



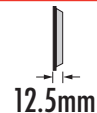
FDB653



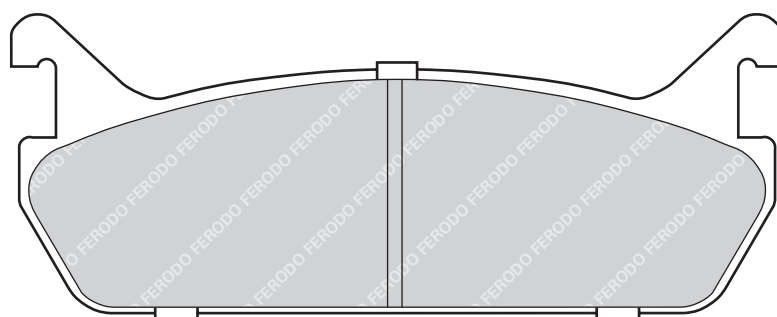
MAZDA



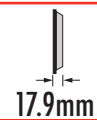
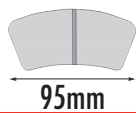
FDB654



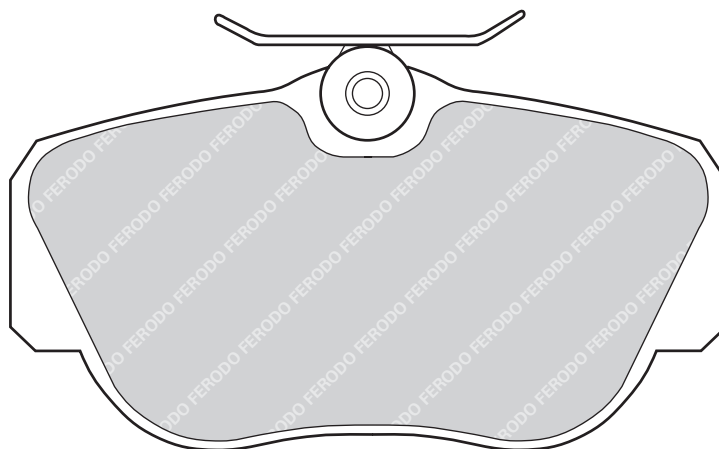
MAZDA



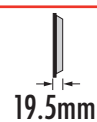
FDB669



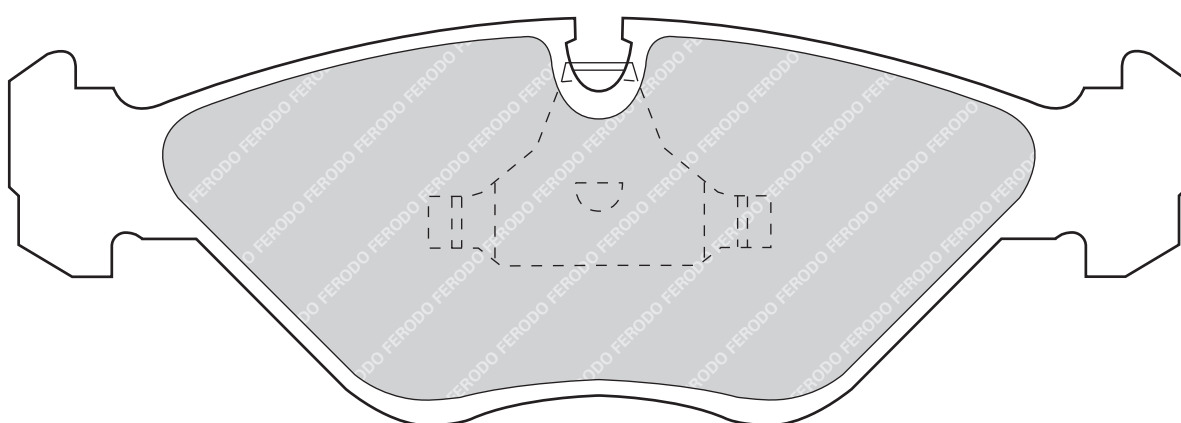
MERCEDES BENZ



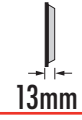
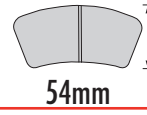
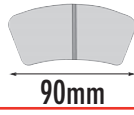
FDB670



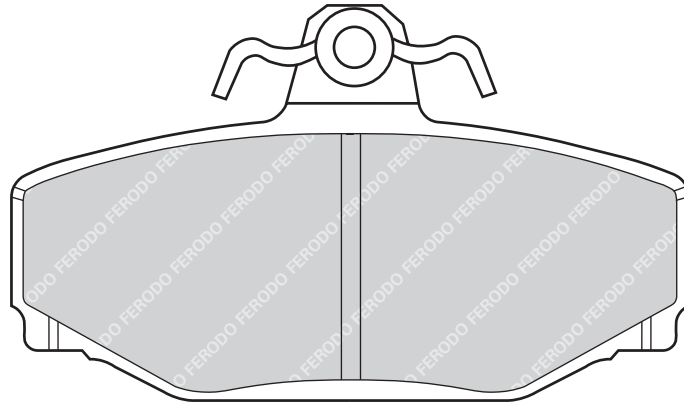
SAAB



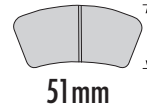
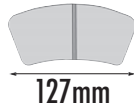
FDB676



VOLVO

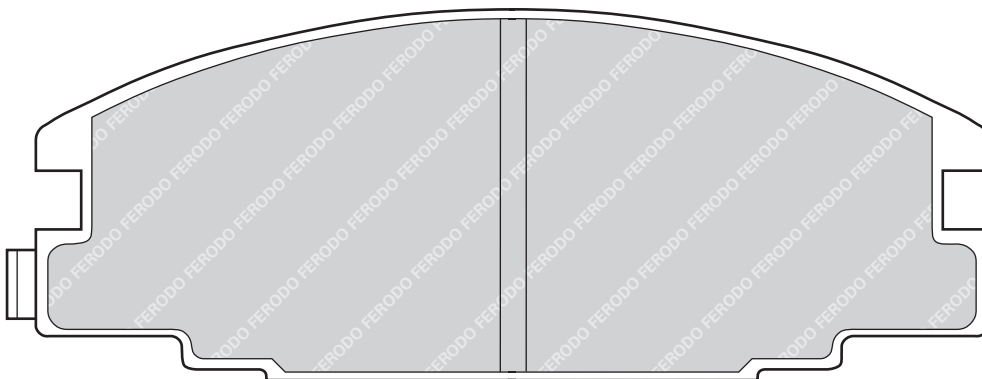


FDB678



4 Wear Indicator pads per set - Handed

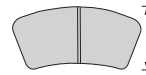
ISUZU



FDB679



130mm



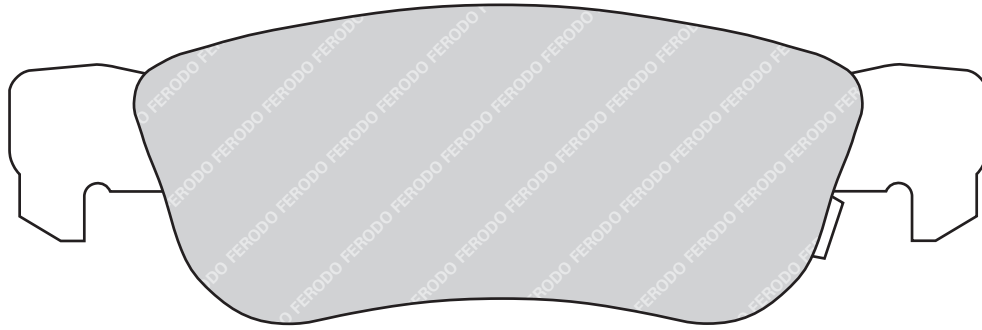
40mm



13mm

2 Wear Indicator pads per set - Handed

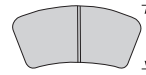
ISUZU



FDB681



156mm

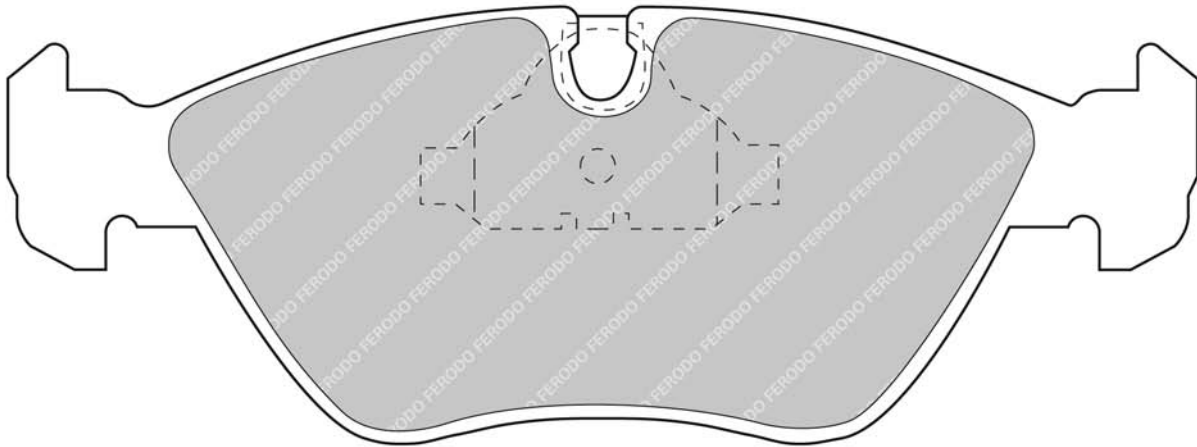


59mm

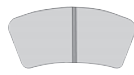


19.5mm

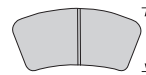
VOLVO



FDB686



130mm

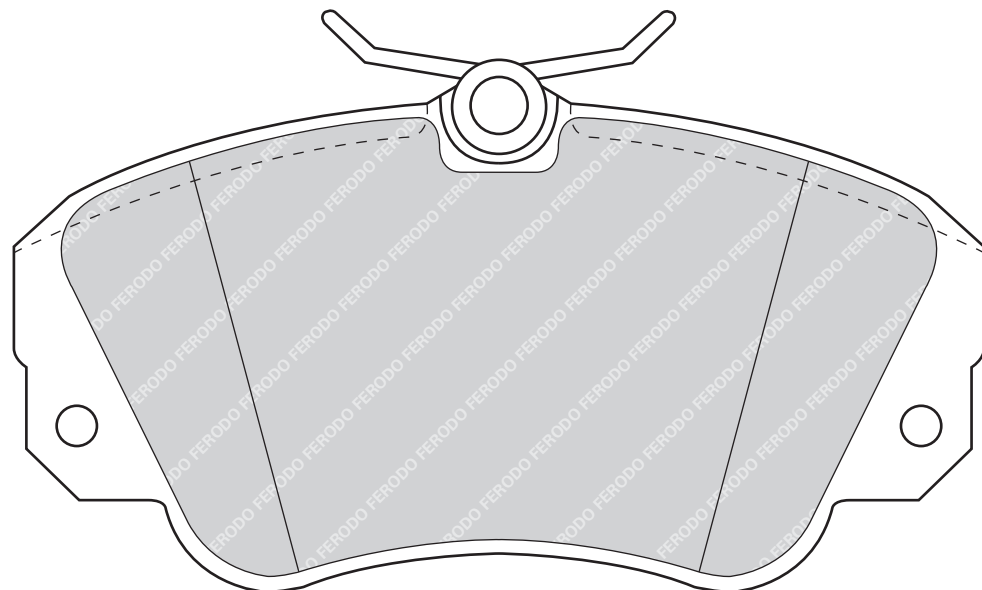


64mm

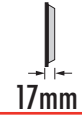
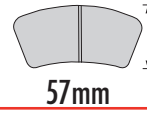
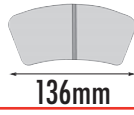


19.3mm

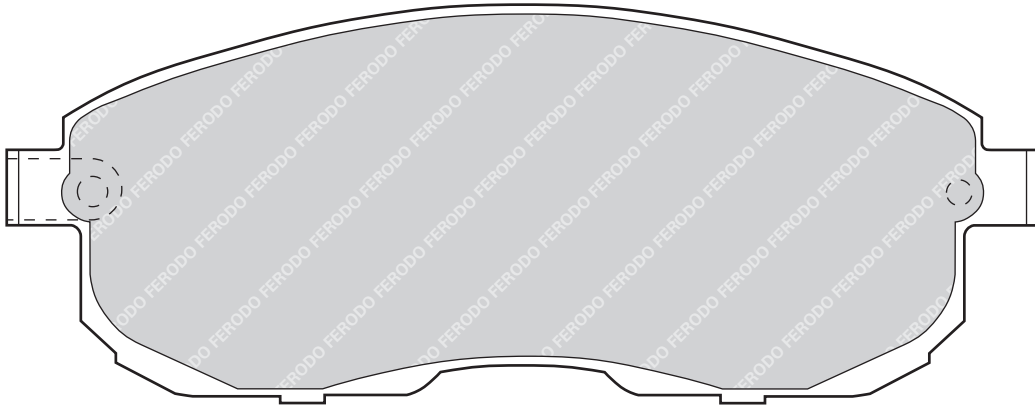
OPEL



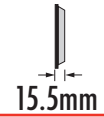
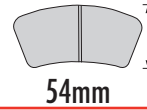
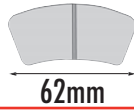
FDB691



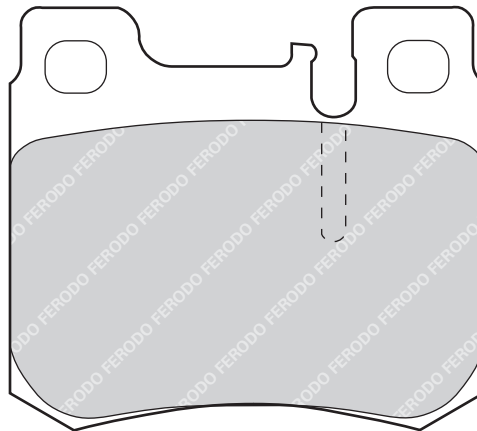
NISSAN



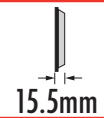
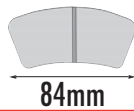
FDB693



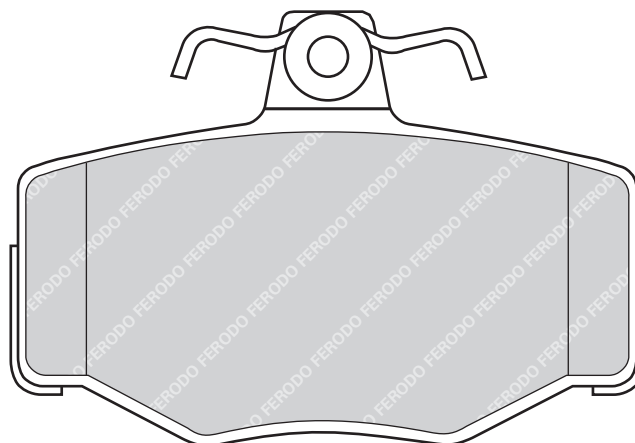
MERCEDES BENZ



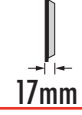
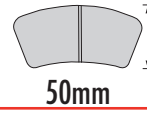
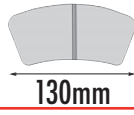
FDB707



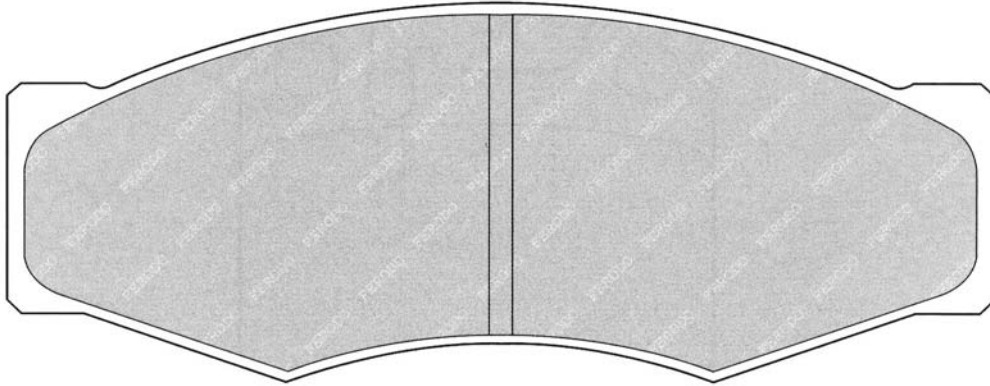
NISSAN



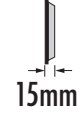
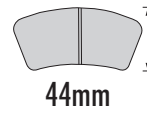
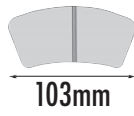
FDB710



NISSAN, OPEL

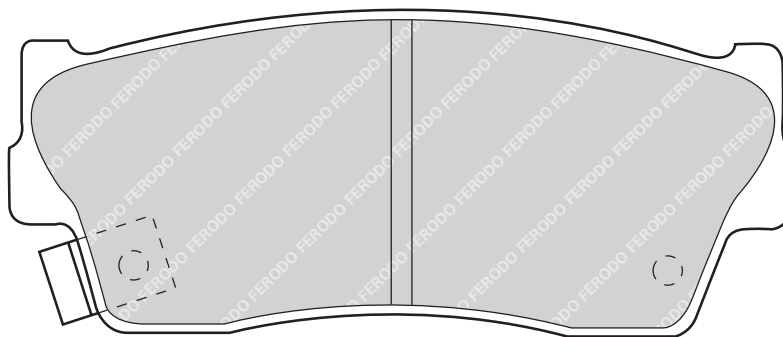


FDB712

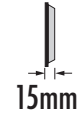
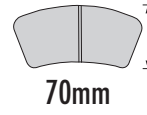
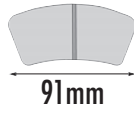


2 Wear Indicator pads per set - Handed

SUZUKI

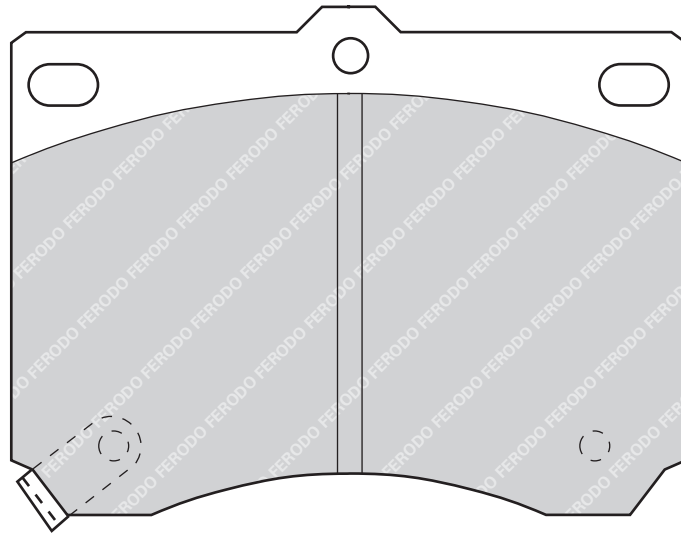


FDB714

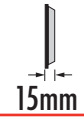
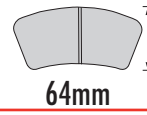
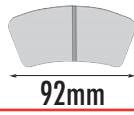


2 Wear Indicator pads per set - Handed

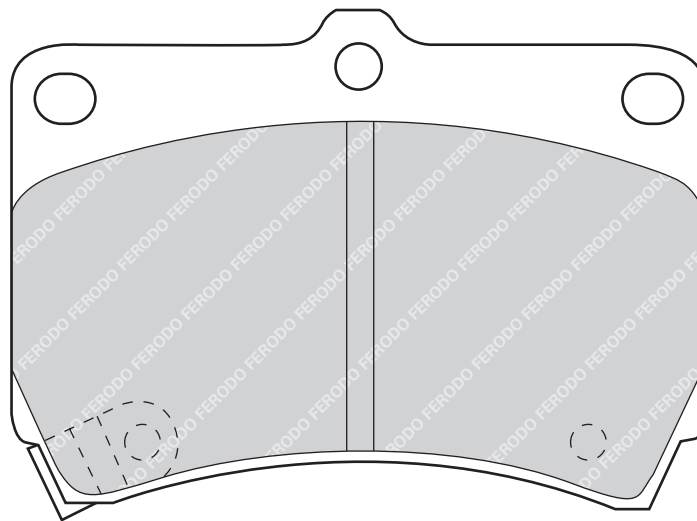
MAZDA



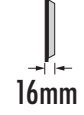
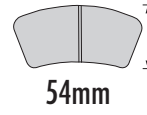
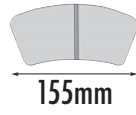
FDB715



KIA

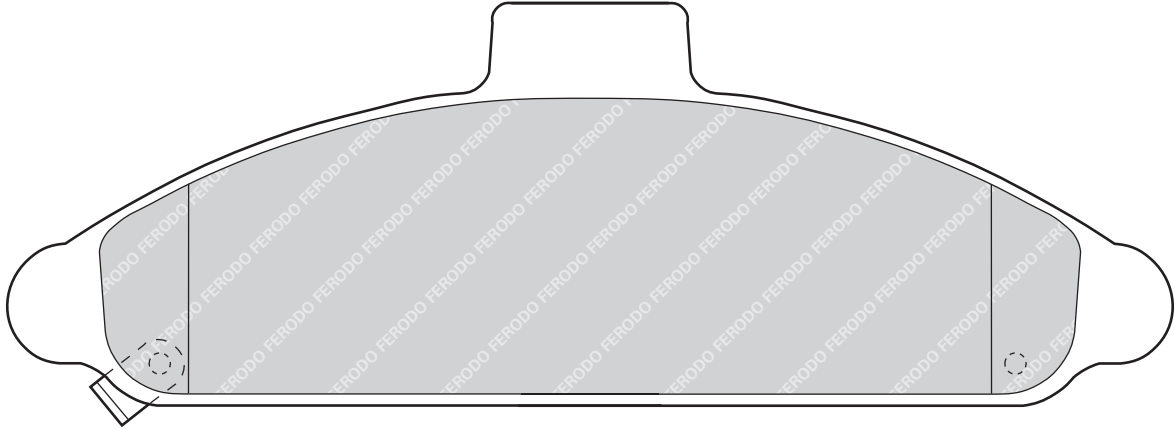


FDB716

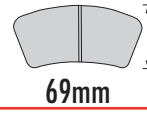
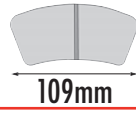


2 Wear Indicator pads per set - Handed

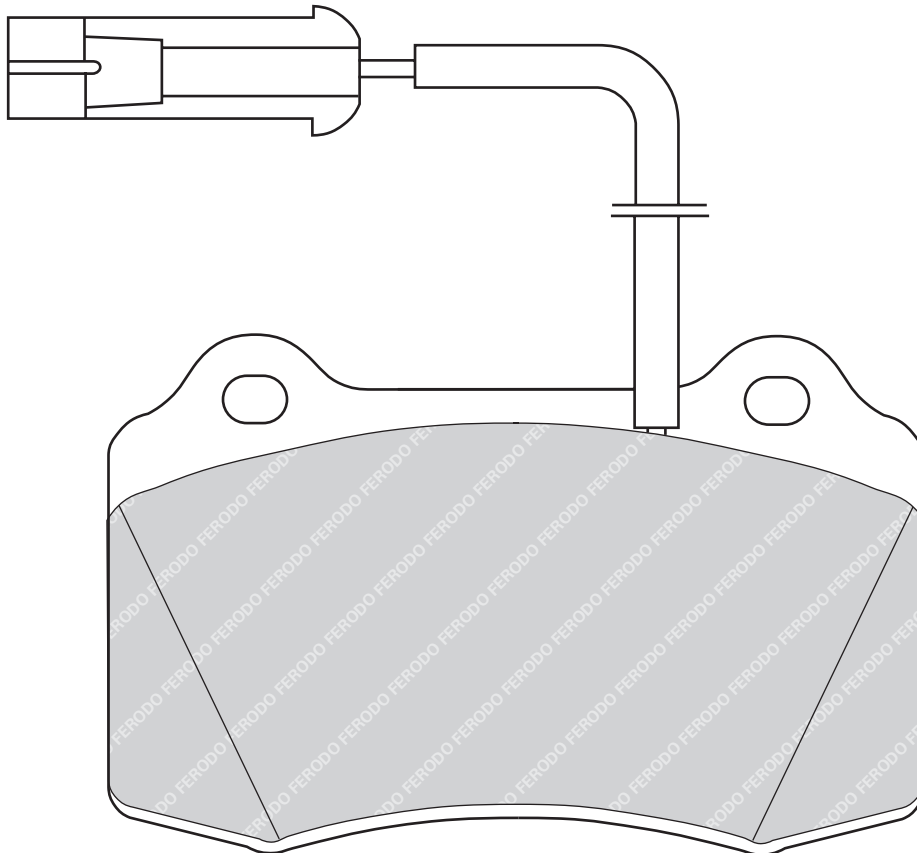
HYUNDAI



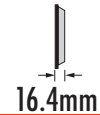
FDB721



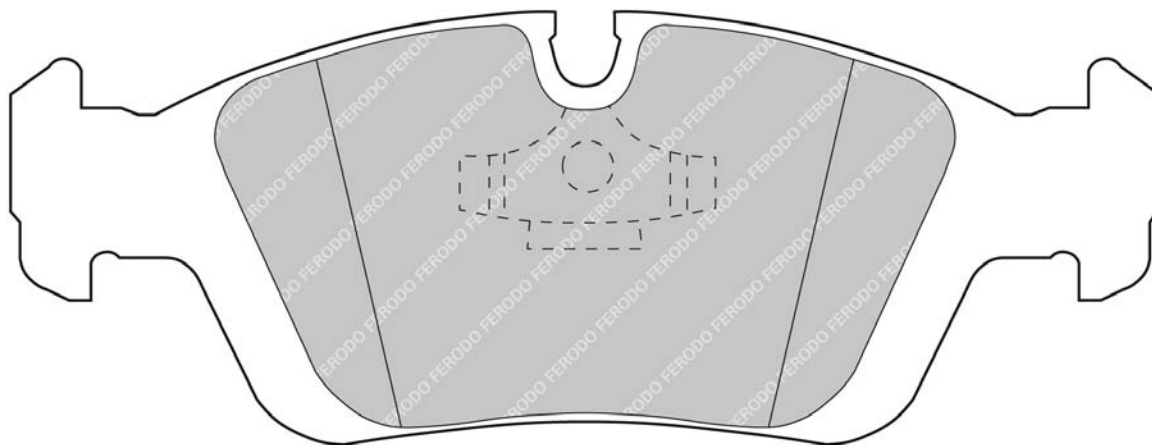
DODGE, LANCIA



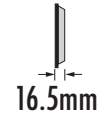
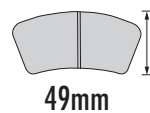
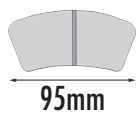
FDB725



BMW

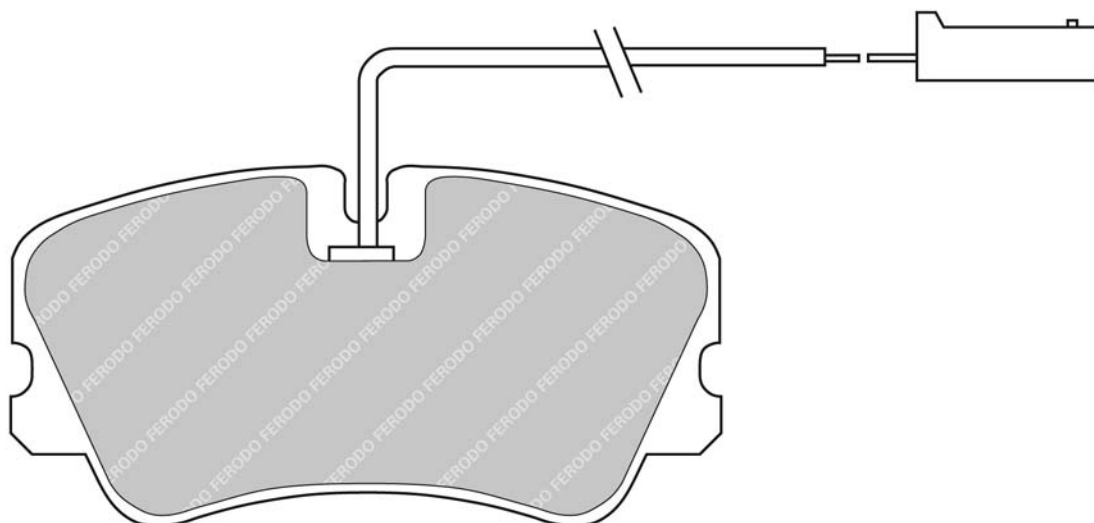


FDB727

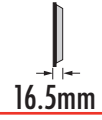
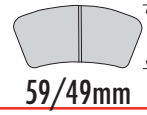
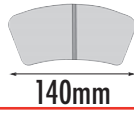


2 Wear Indicator pads per set

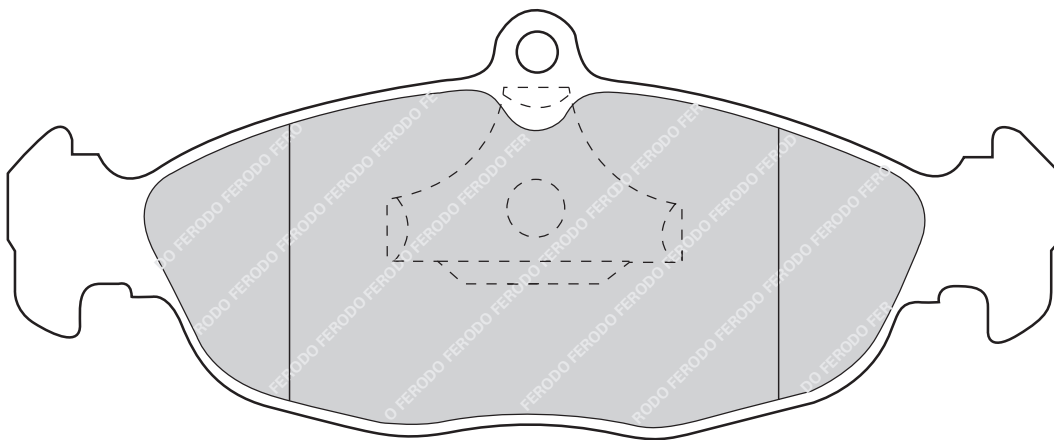
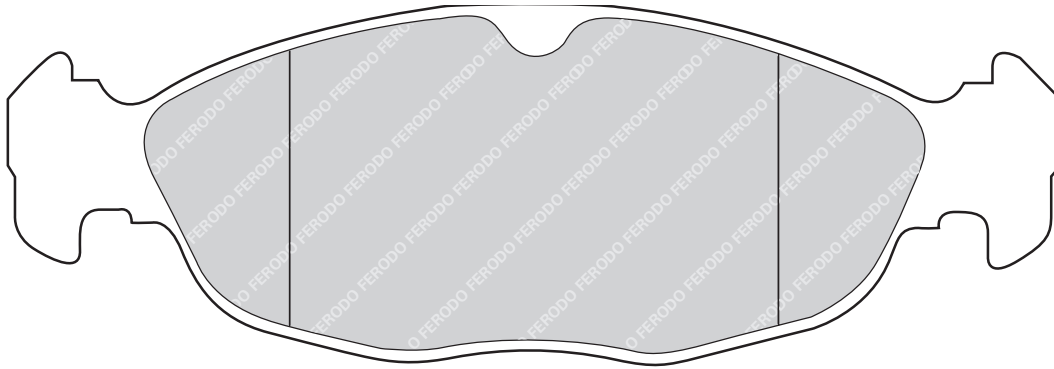
ALFA ROMEO



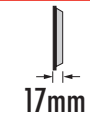
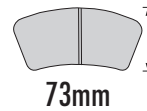
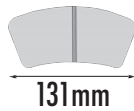
FDB732



DAEWOO, JAGUAR, OPEL

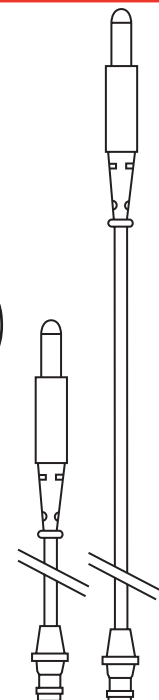
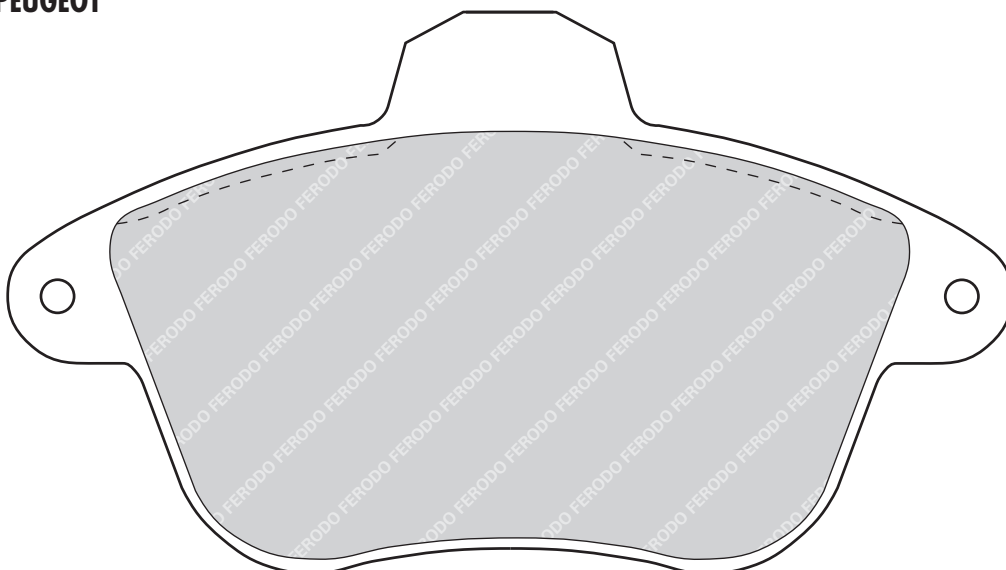


FDB746

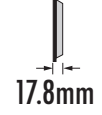
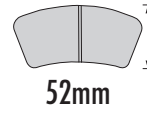
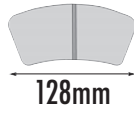


2 Wear Indicator pads per set (Supplied Loose)
2 x 130mm & 2 x 368mm

PEUGEOT

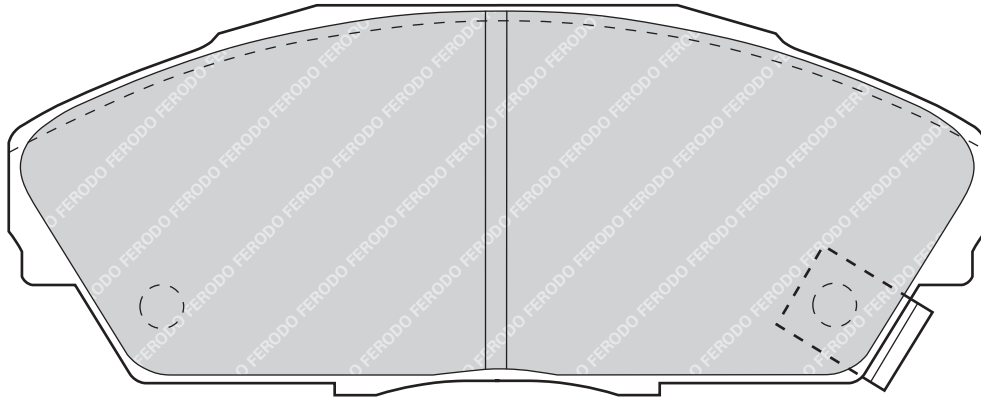


FDB748

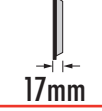
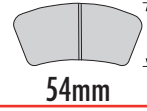
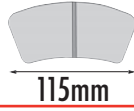


2 Wear Indicator pads per set - Handed

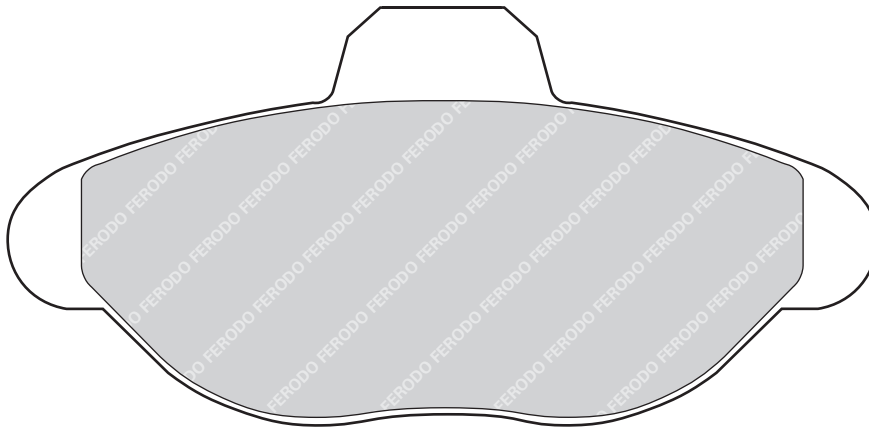
HONDA



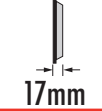
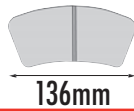
FDB749



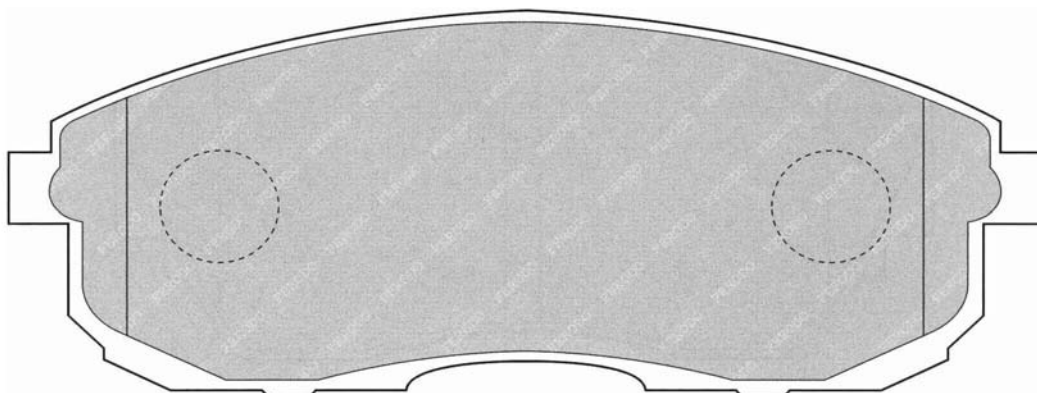
FIAT



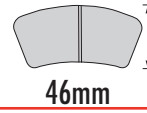
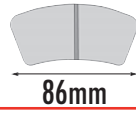
FDB755



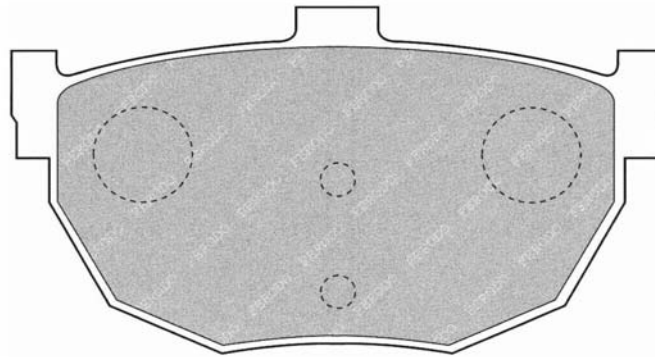
NISSAN



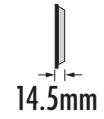
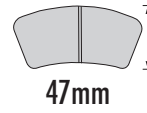
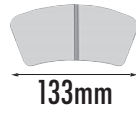
FDB756



HYUNDAI, NISSAN

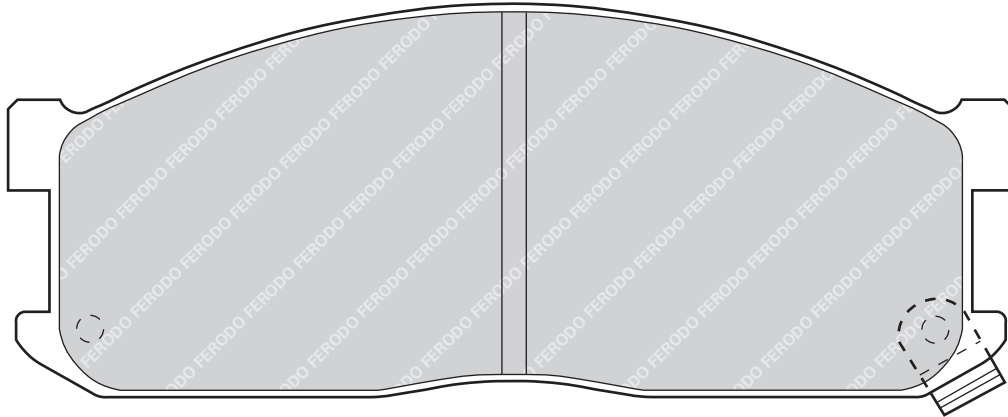


FDB757

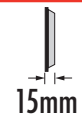
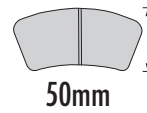
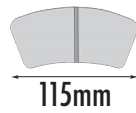


2 Wear Indicator pads per set - Handed

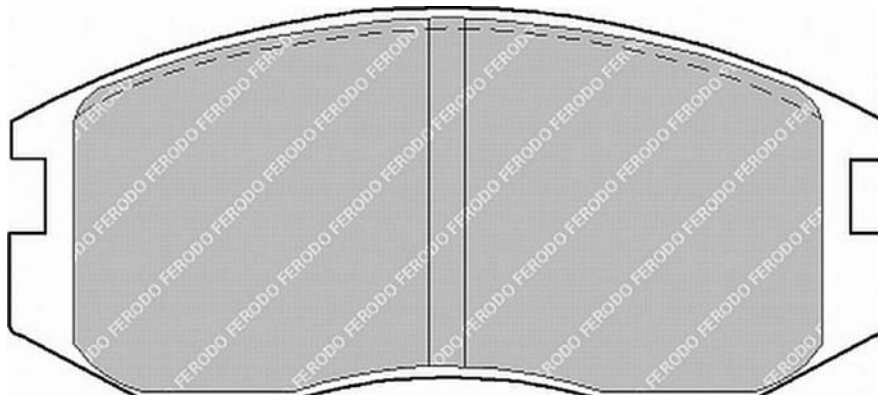
FORD COMM., MAZDA COMM.



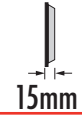
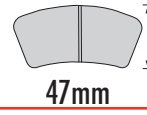
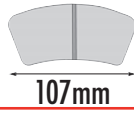
FDB759



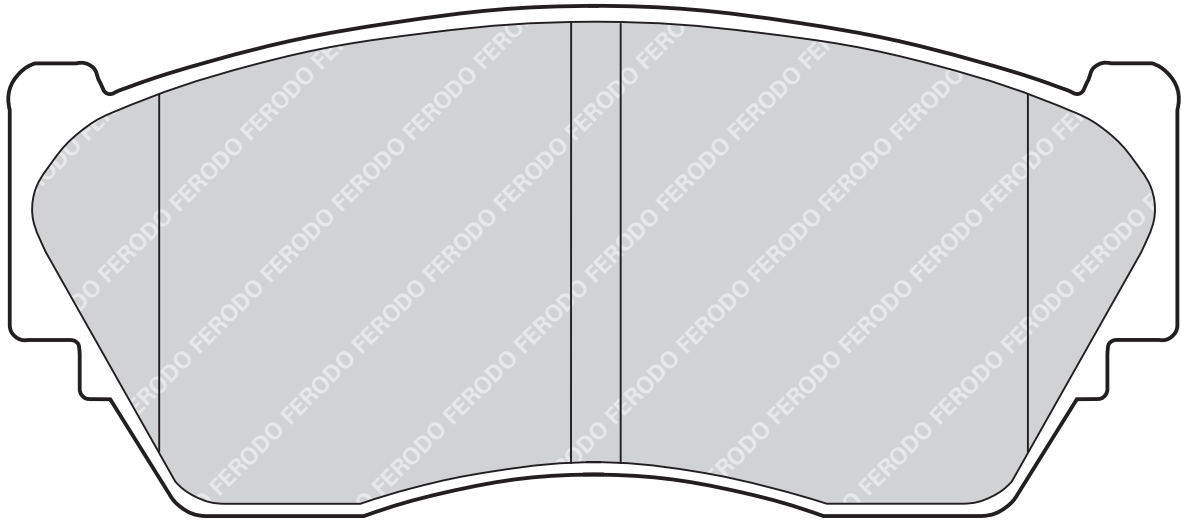
DAIHATSU



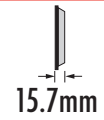
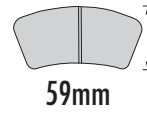
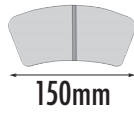
FDB763



NISSAN

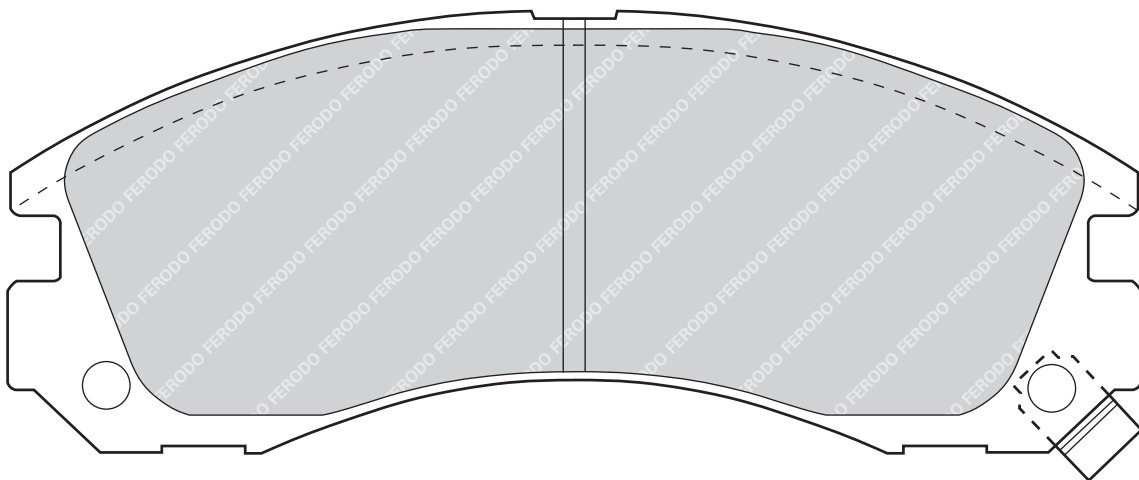


FDB765

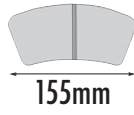


2 Wear Indicator pads per set - Handed

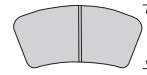
MITSUBISHI



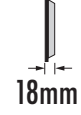
FDB766



155mm



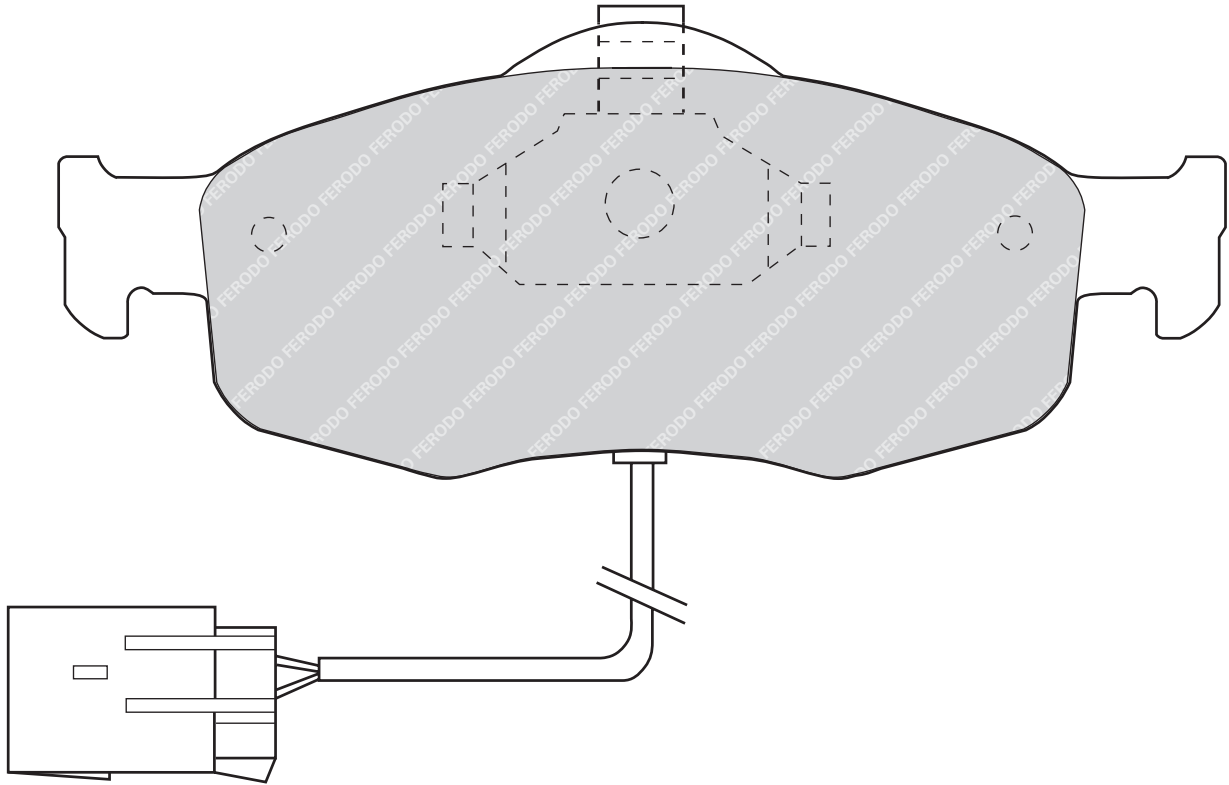
59mm



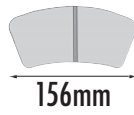
18mm

2 Wear Indicator pads per set

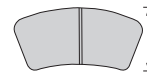
FORD



FDB767



156mm



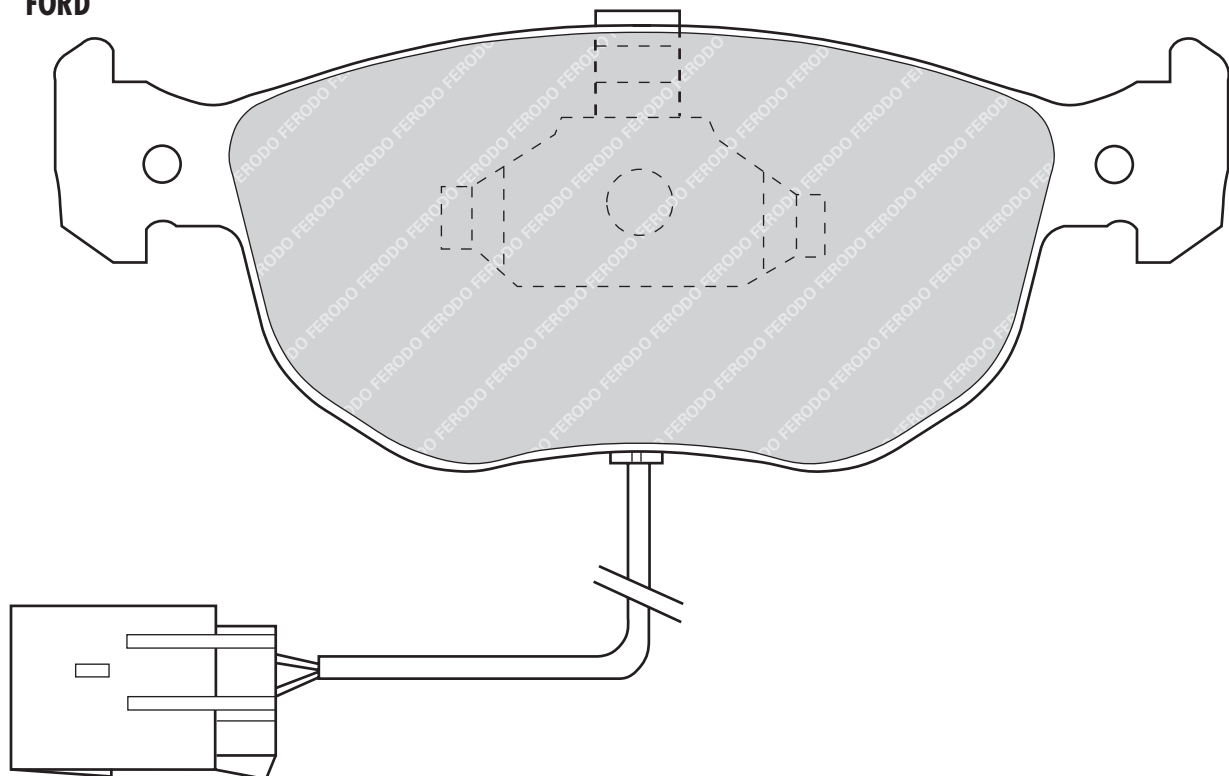
60mm



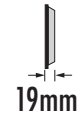
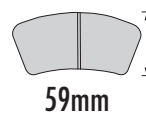
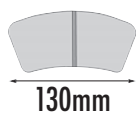
18.8mm

2 Wear Indicator pads per set

FORD

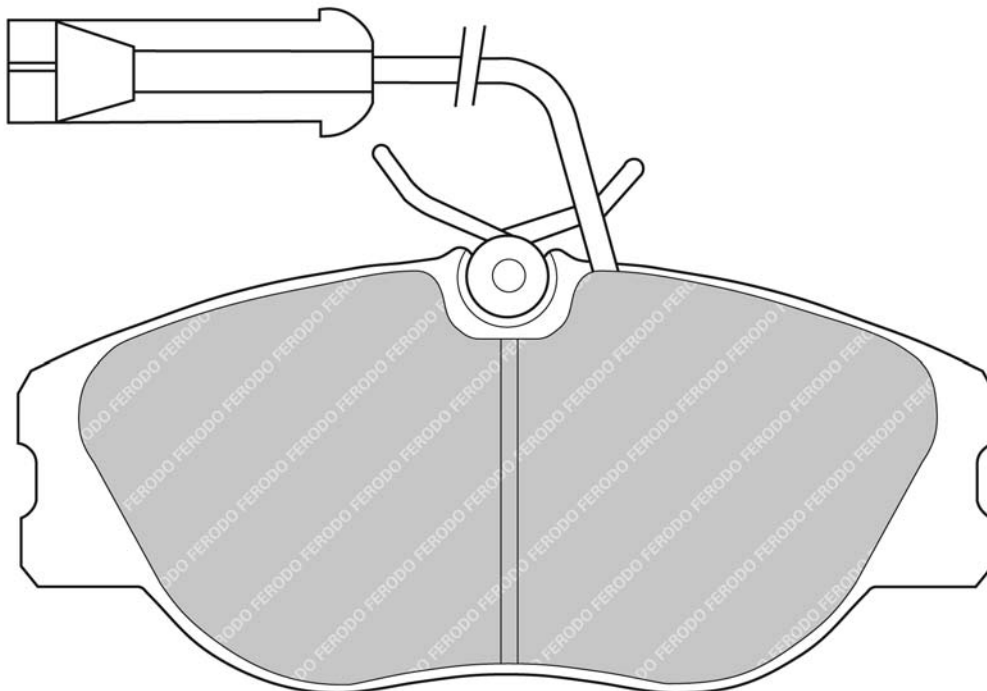


FDB768

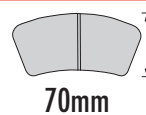
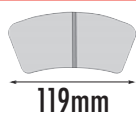


1 Wear Indicator pad per set

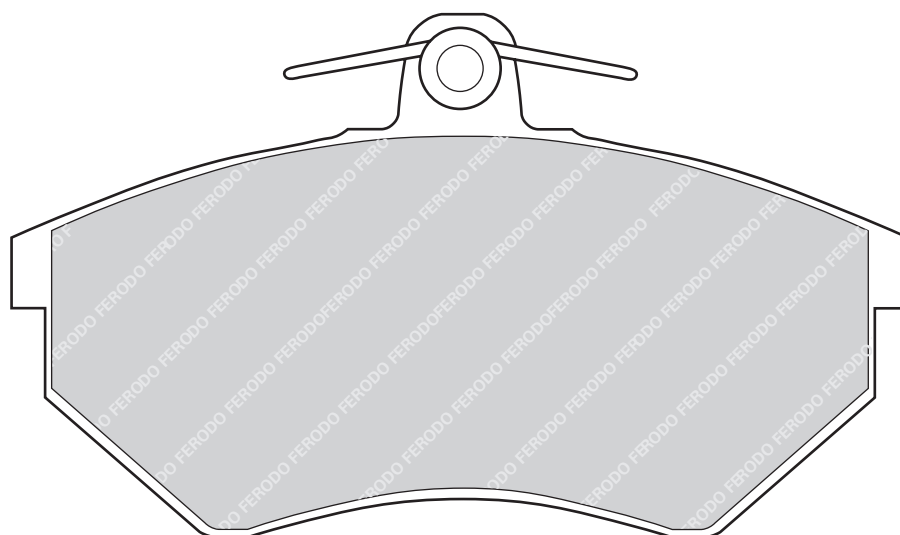
ALFA ROMEO



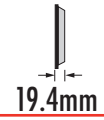
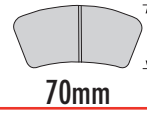
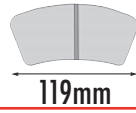
FDB774



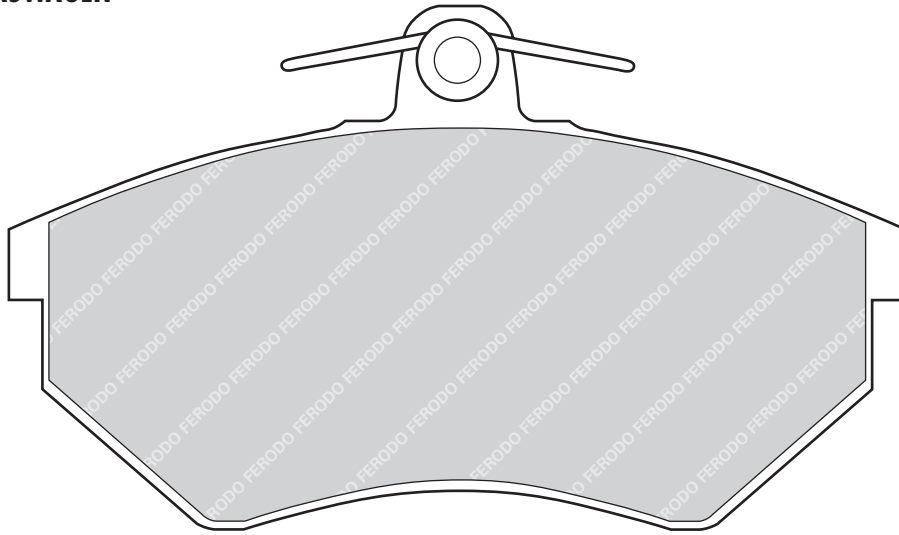
VOLKSWAGEN



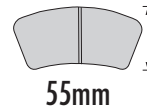
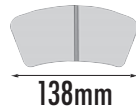
FDB775



AUDI, VOLKSWAGEN

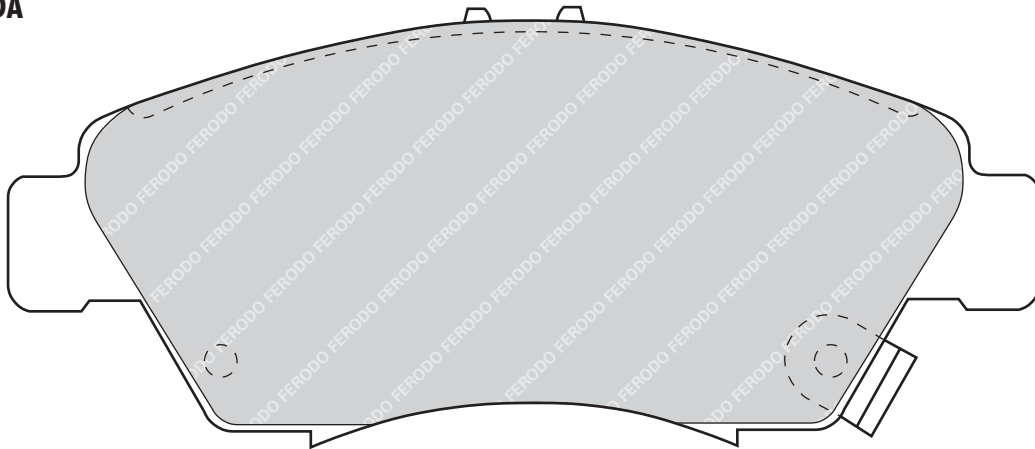


FDB776

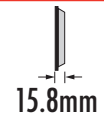
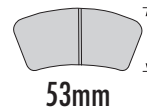
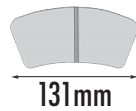


2 Wear Indicator pads per set - Handed

HONDA

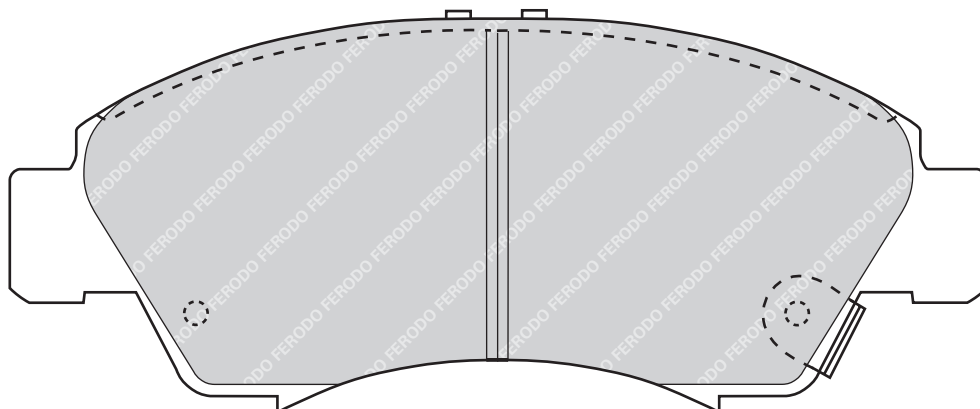


FDB777

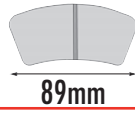


2 Wear Indicator pads per set - Handed

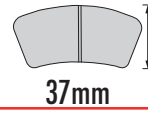
HONDA



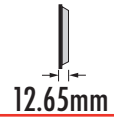
FDB778



89mm

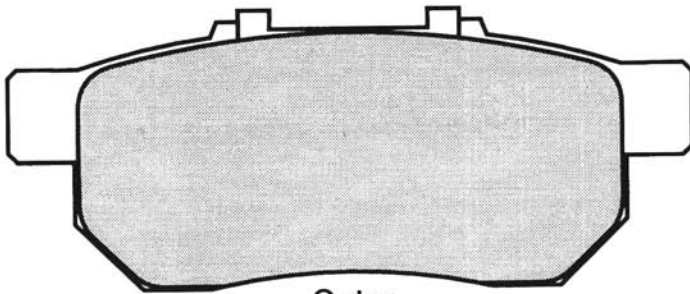


37mm

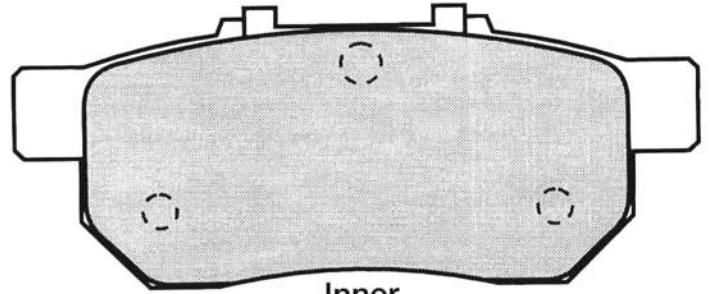


12.65mm

HONDA

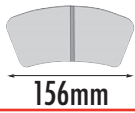


Outer

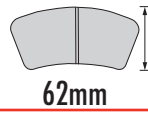


Inner

FDB779



156mm

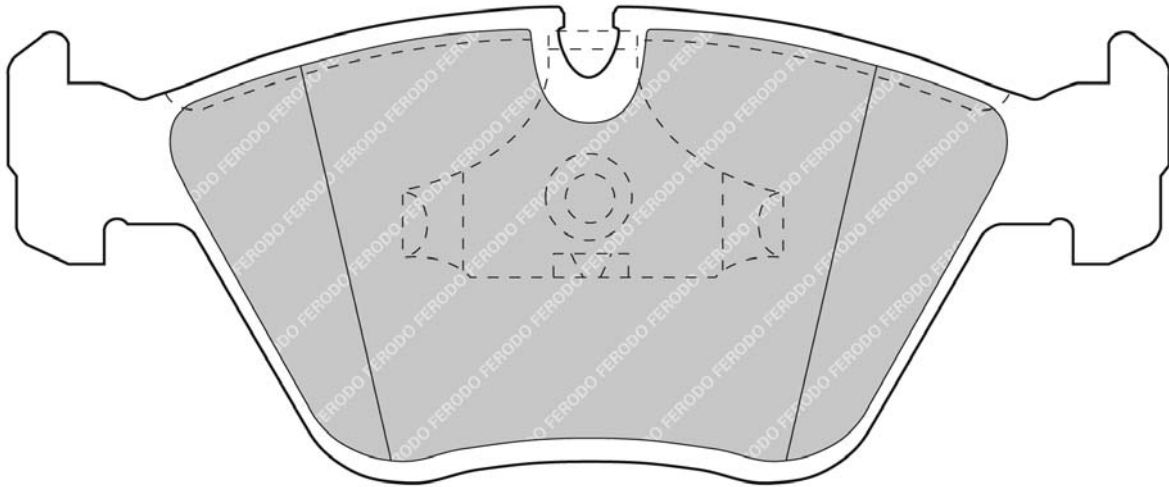


62mm

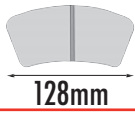


20.3mm

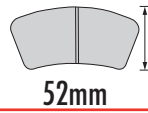
BMW



FDB788



128mm

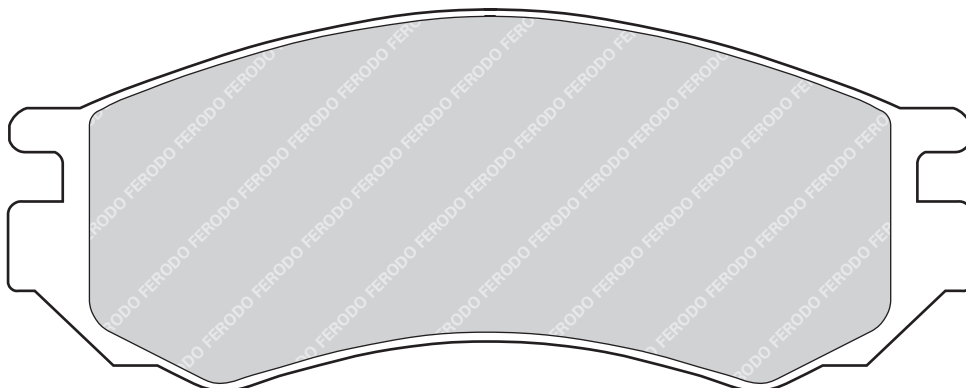


52mm

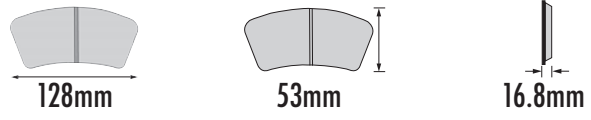


15mm

NISSAN

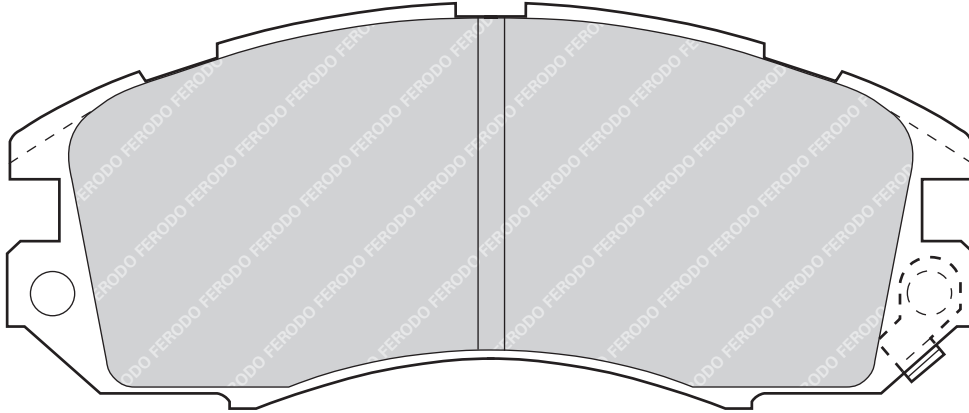


FDB789

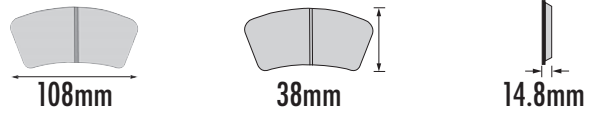


2 Wear Indicator pads per set - Handed

SUBARU

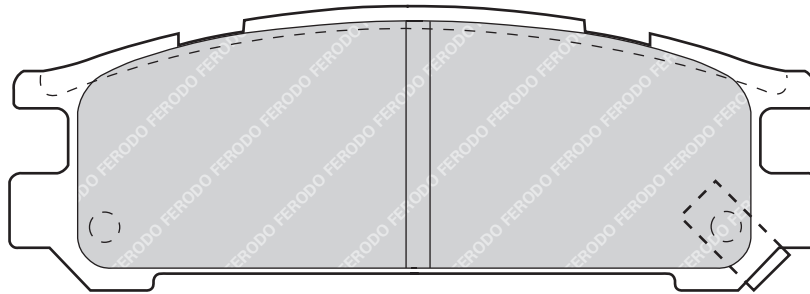


FDB790

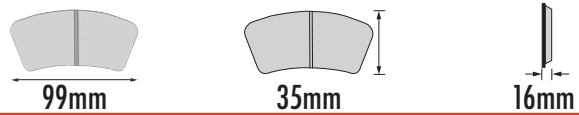


2 Wear Indicator pads per set - Handed

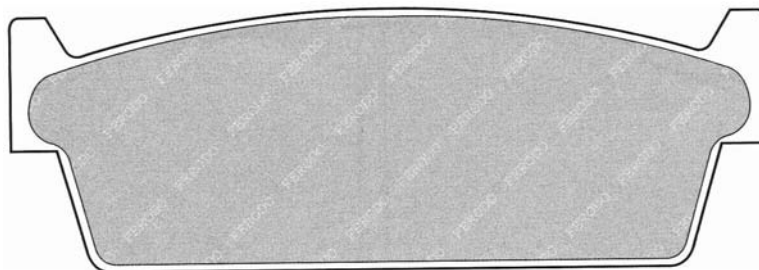
SUBARU



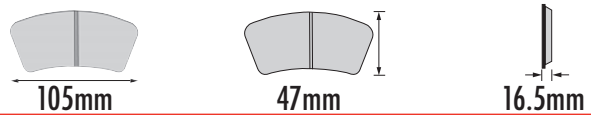
FDB795



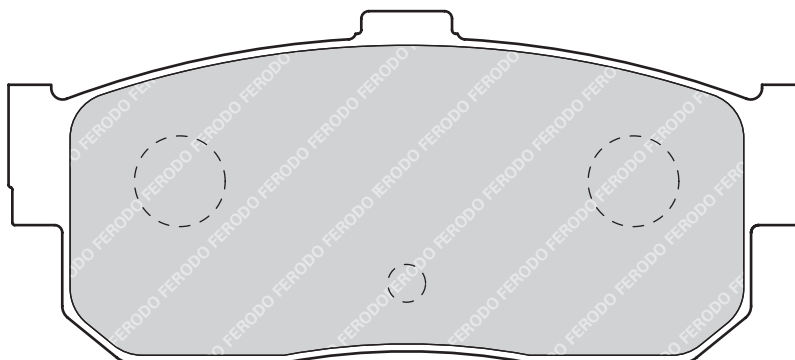
NISSAN



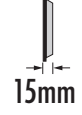
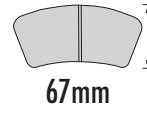
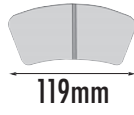
FDB796



NISSAN

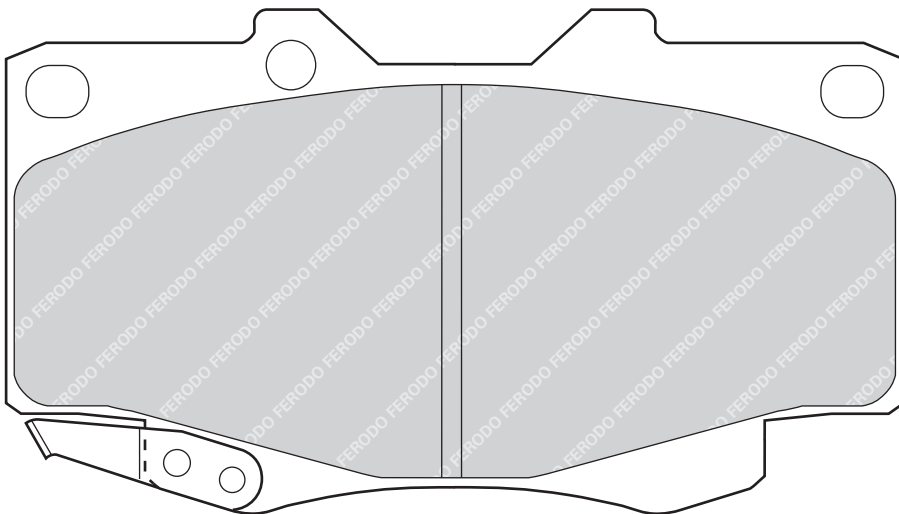
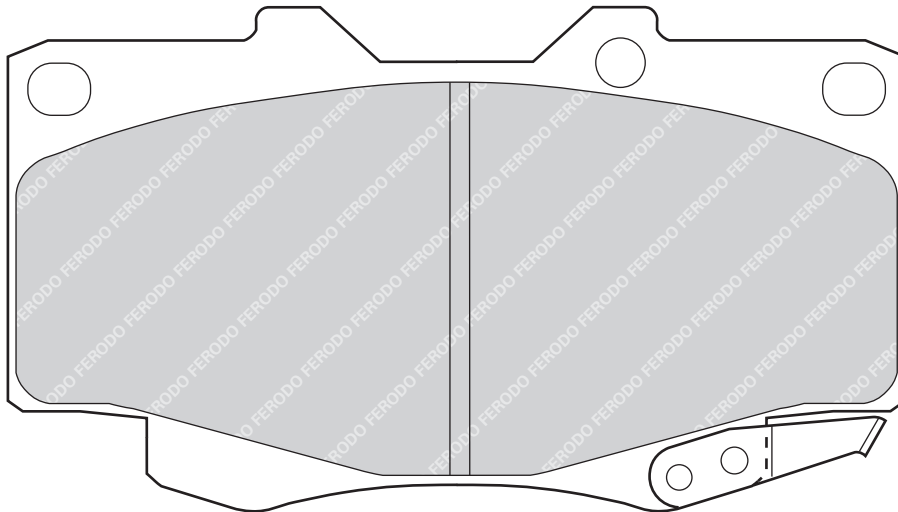
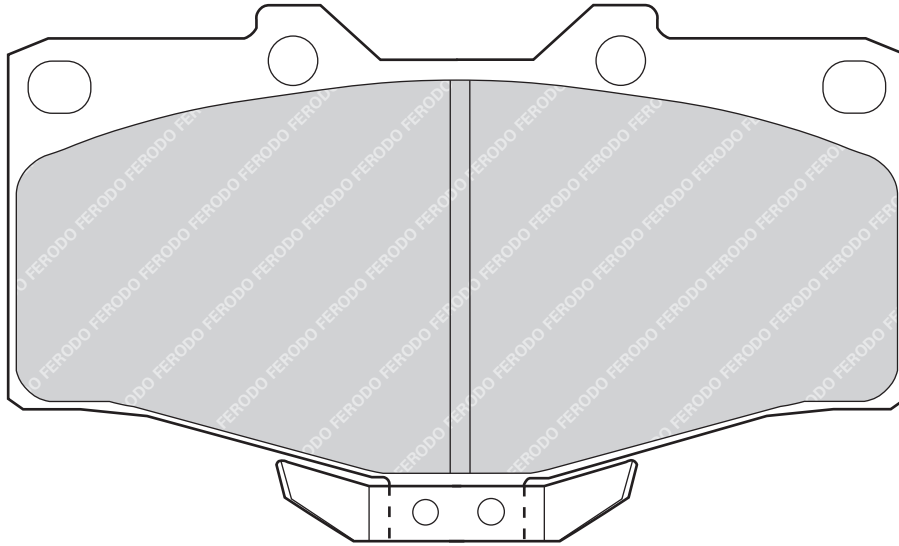


FDB797

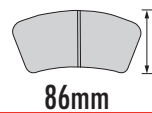
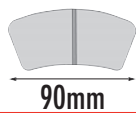


4 Wear Indicator pads per set

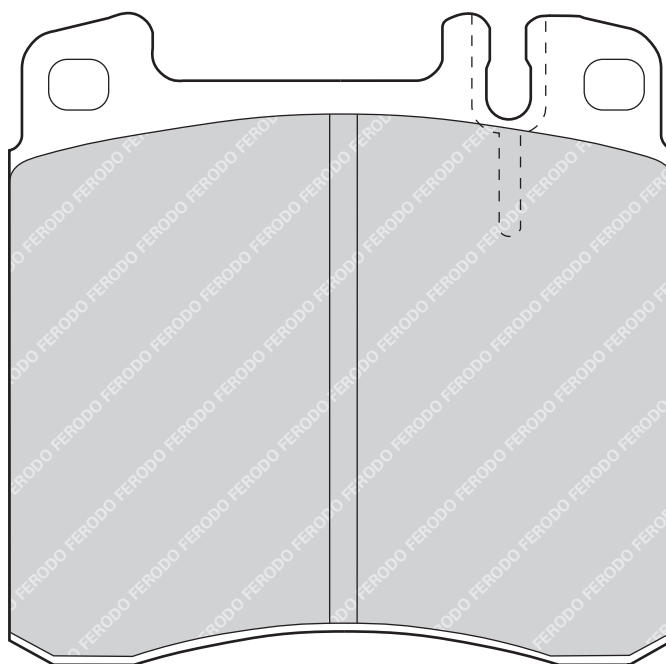
TOYOTA



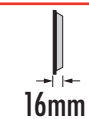
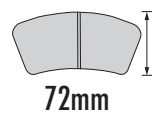
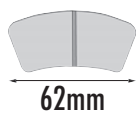
FDB798



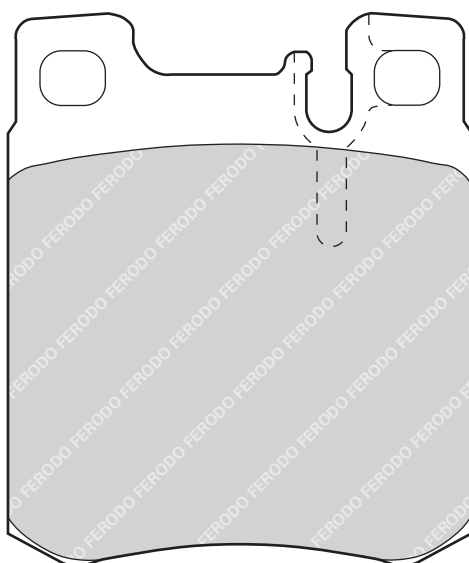
MERCEDES BENZ



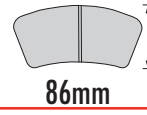
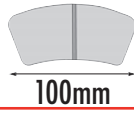
FDB799



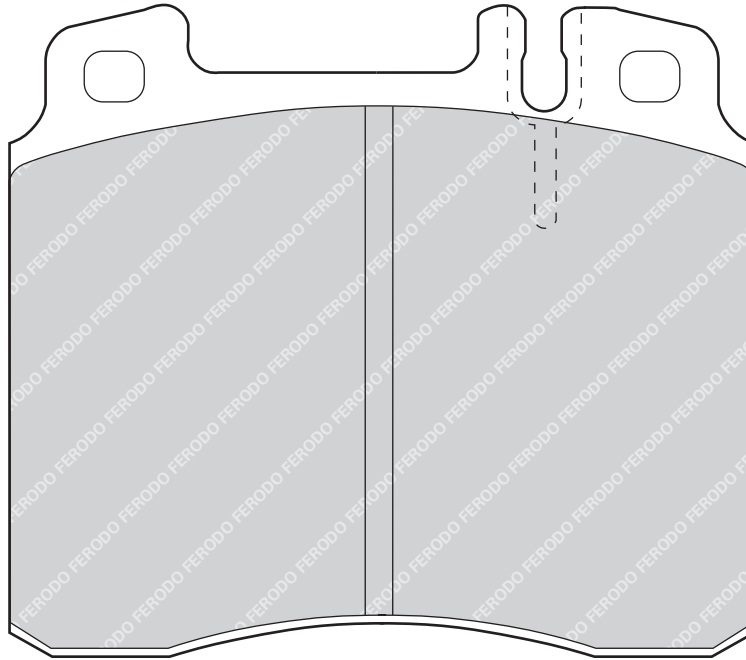
MERCEDES BENZ



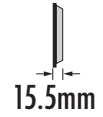
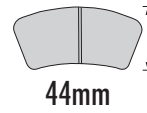
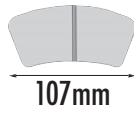
FDB800



MERCEDES BENZ

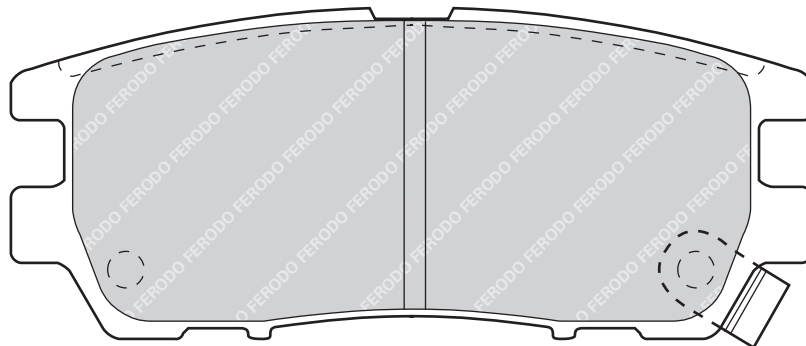


FDB804

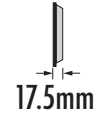
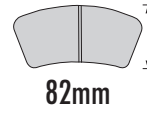
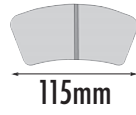


2 Wear Indicator pads per set - Handed

MITSUBISHI

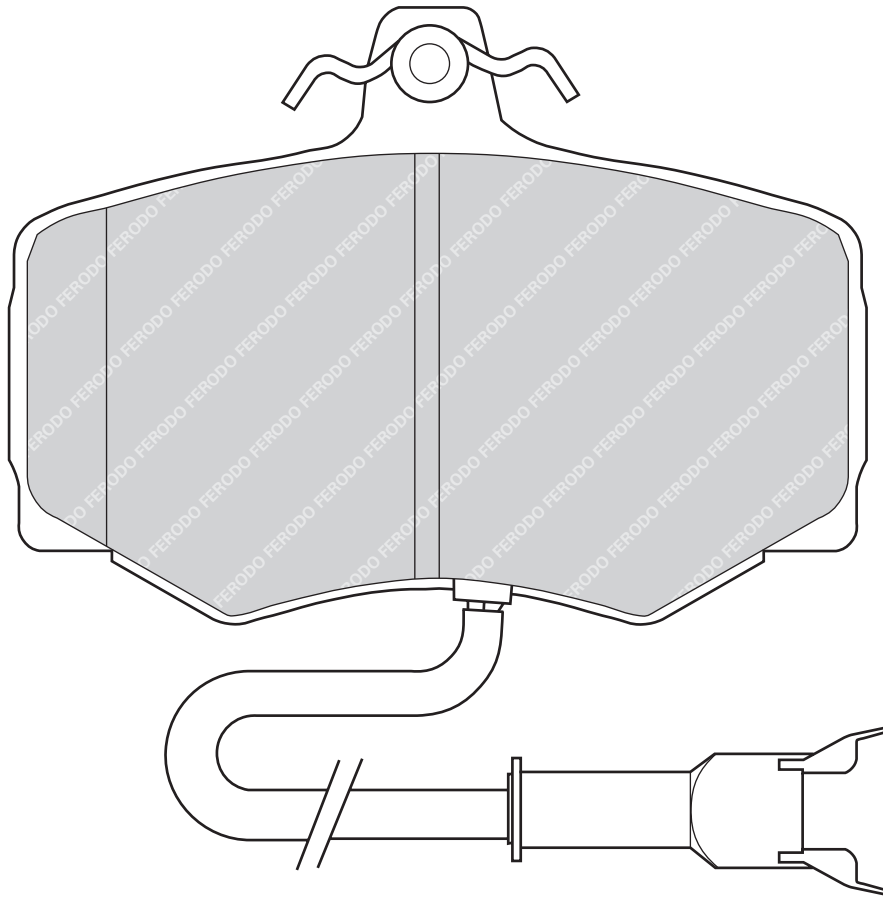


FDB806

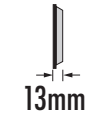
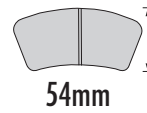
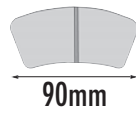


2 Wear Indicator pads per set - Handed

JAGUAR

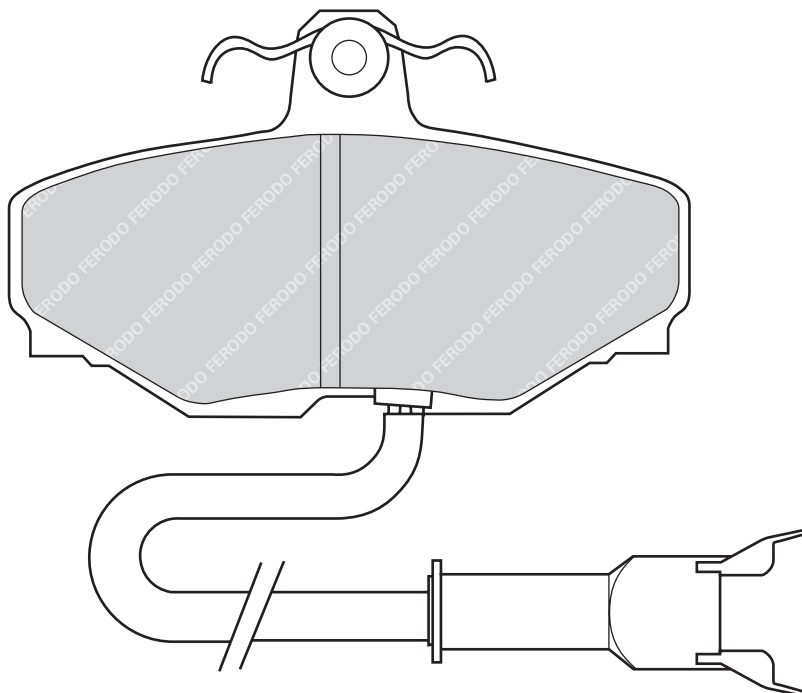


FDB807

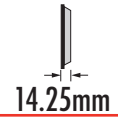
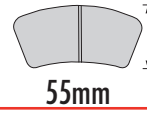
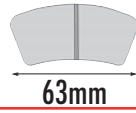


2 Wear Indicator pads per set - Handed

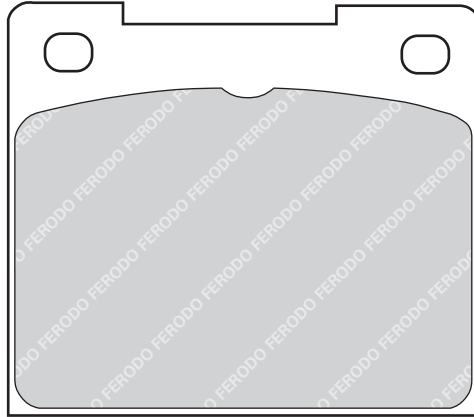
JAGUAR



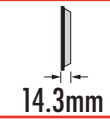
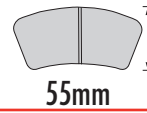
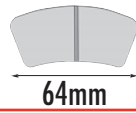
FDB809



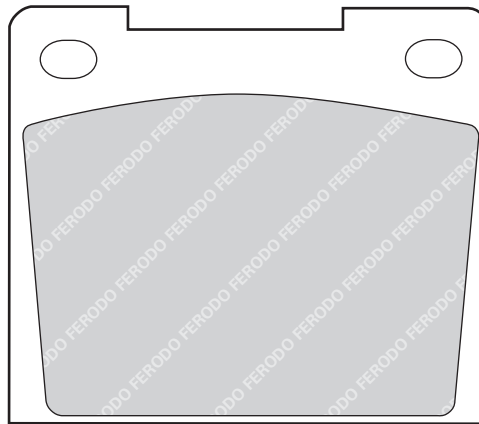
FORD, HILLMAN



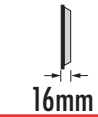
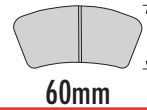
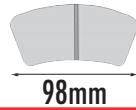
FDB811



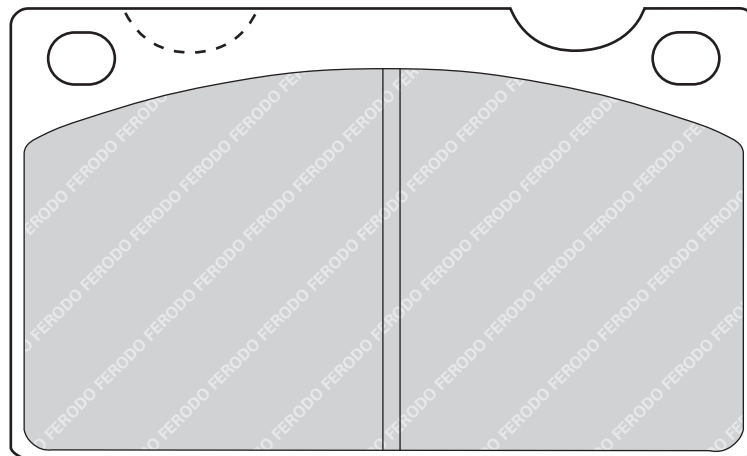
TRUIMPH, VAUXHALL



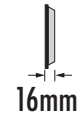
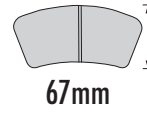
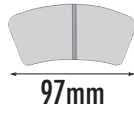
FDB813



VOLVO

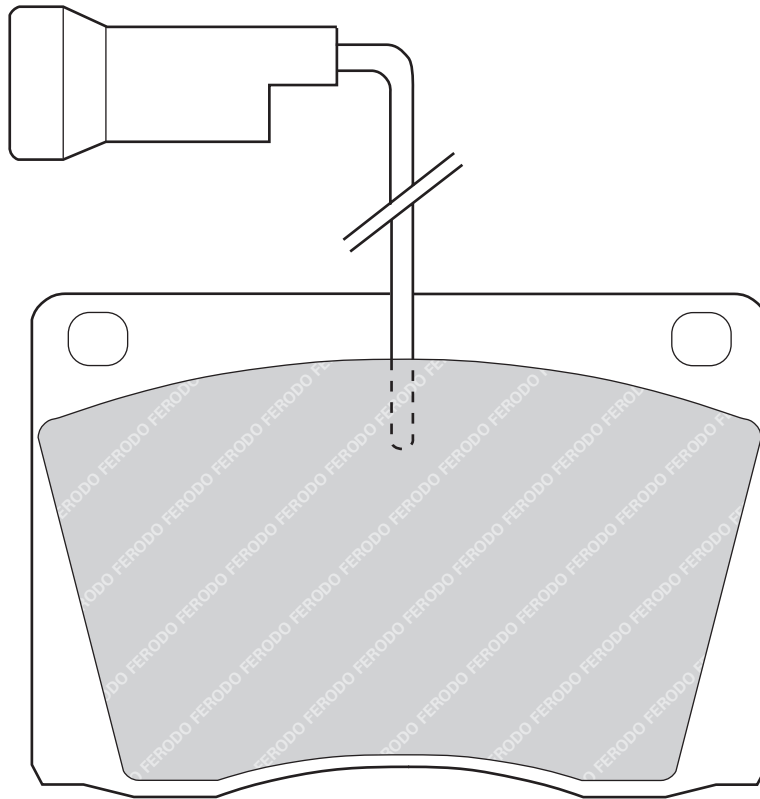


FDB814

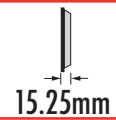
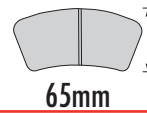
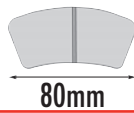


2 Wear Indicator pads per set

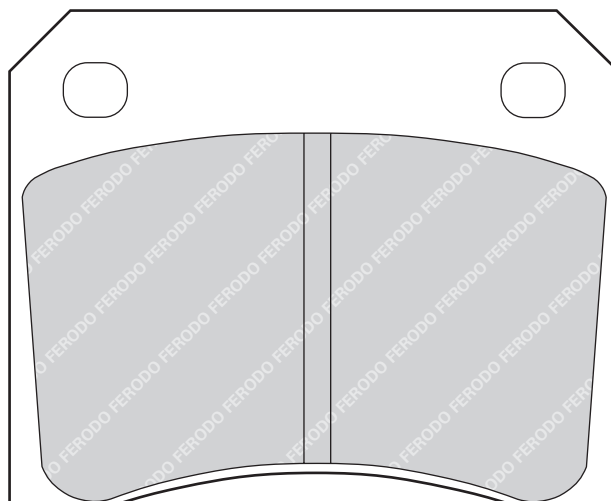
ROVER



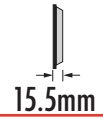
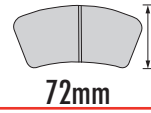
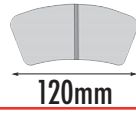
FDB815



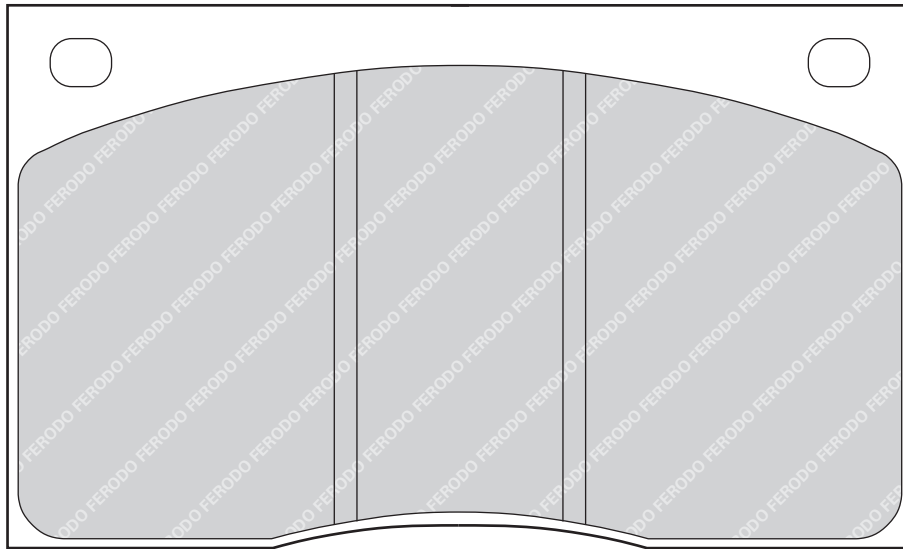
DAIMLER, FIAT, JAGUAR, LAMBORGHINI, MASERATI, PEUGEOT



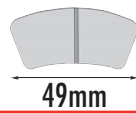
FDB817



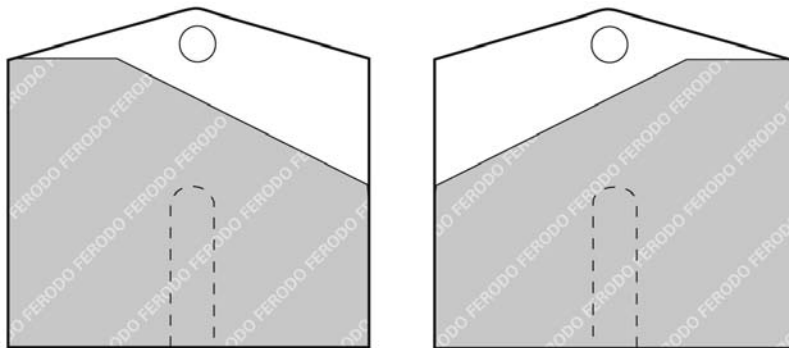
DAIMLER, JAGUAR



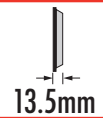
FDB821



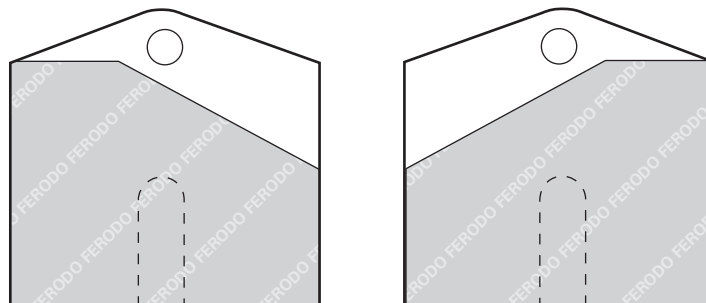
JAGUAR, LANCIA



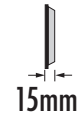
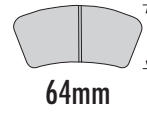
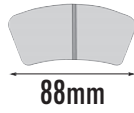
FDB822



DAIMLER, JAGUAR

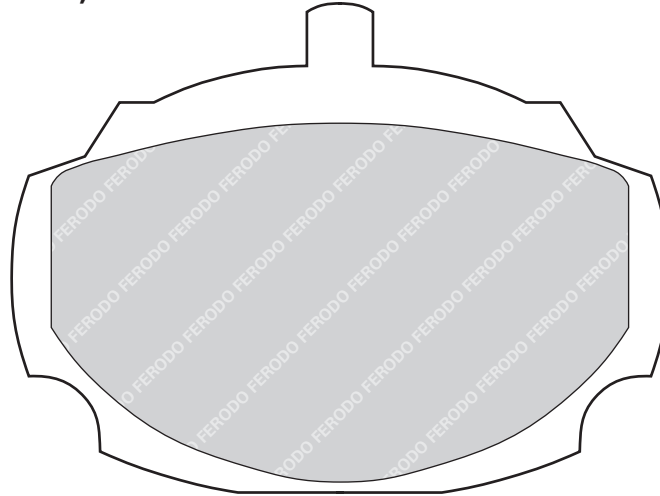


FDB823

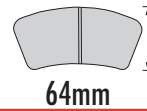
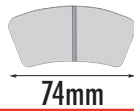


Includes Brake Accessory Kit FBA427

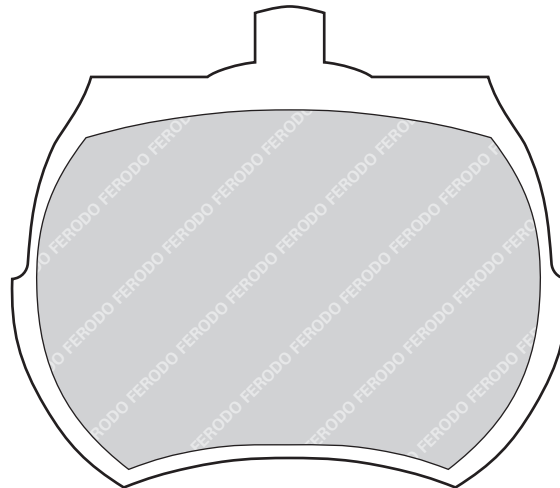
AUSTIN, HILLMAN, HUMBER, VAUXHALL



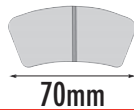
FDB824



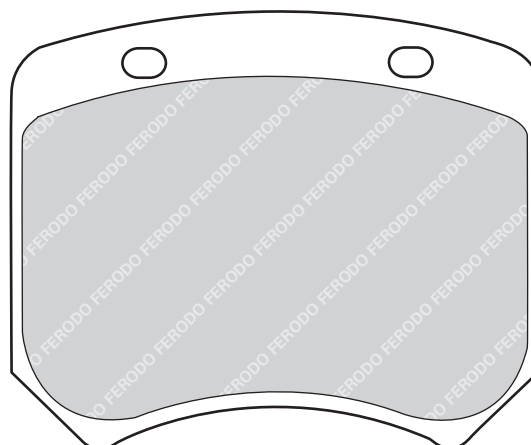
TRUMPH



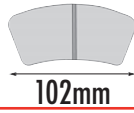
FDB825



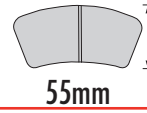
AUSTIN



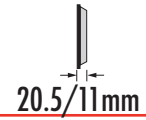
FDB826



102mm

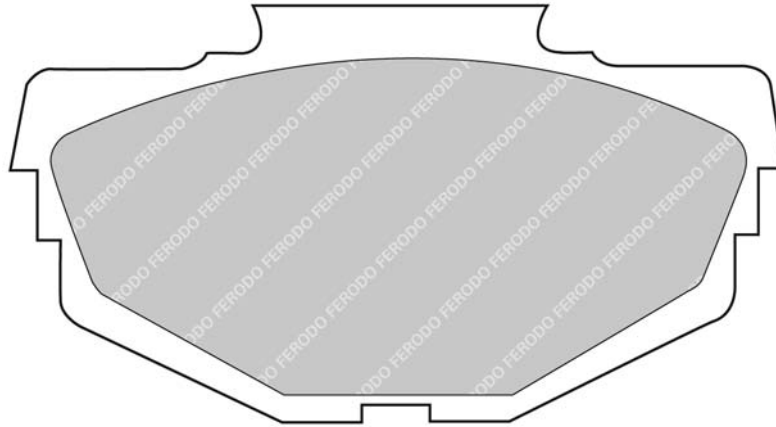


55mm

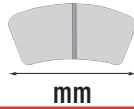


20.5/11mm

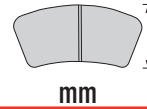
AUSTIN



FDB829



mm

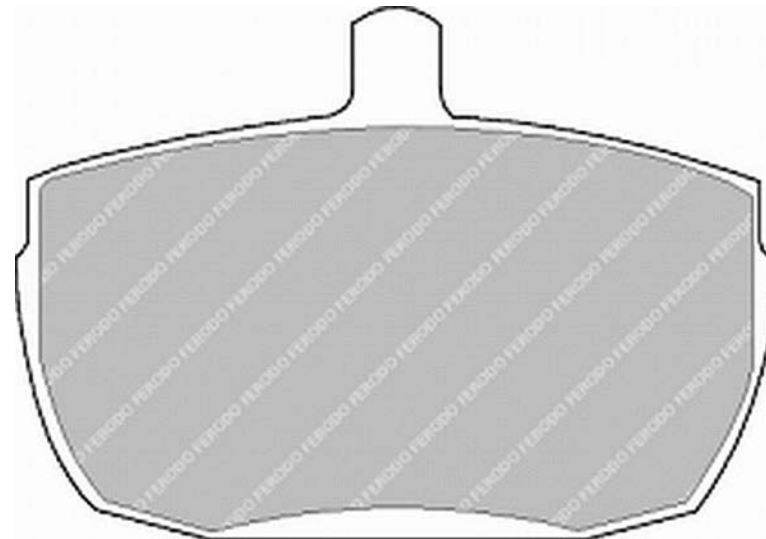


mm

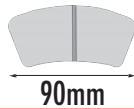


mm

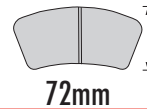
RANGE ROVER I



FDB830



90mm

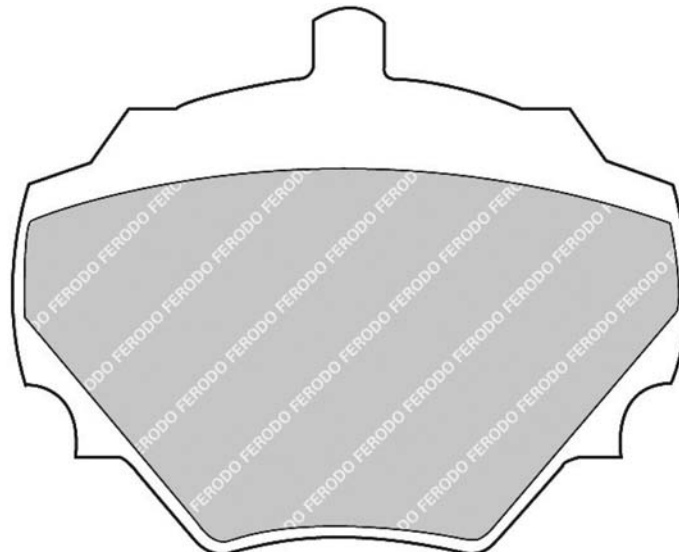


72mm

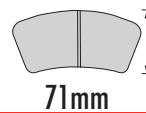


15mm

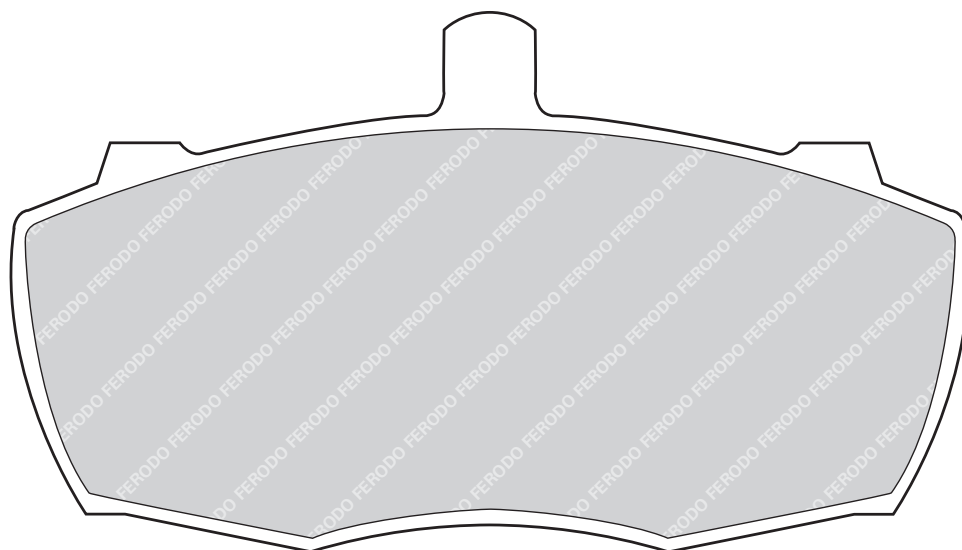
LANDROVER



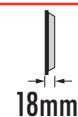
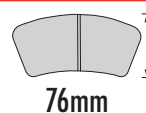
FDB836



LANDROVER

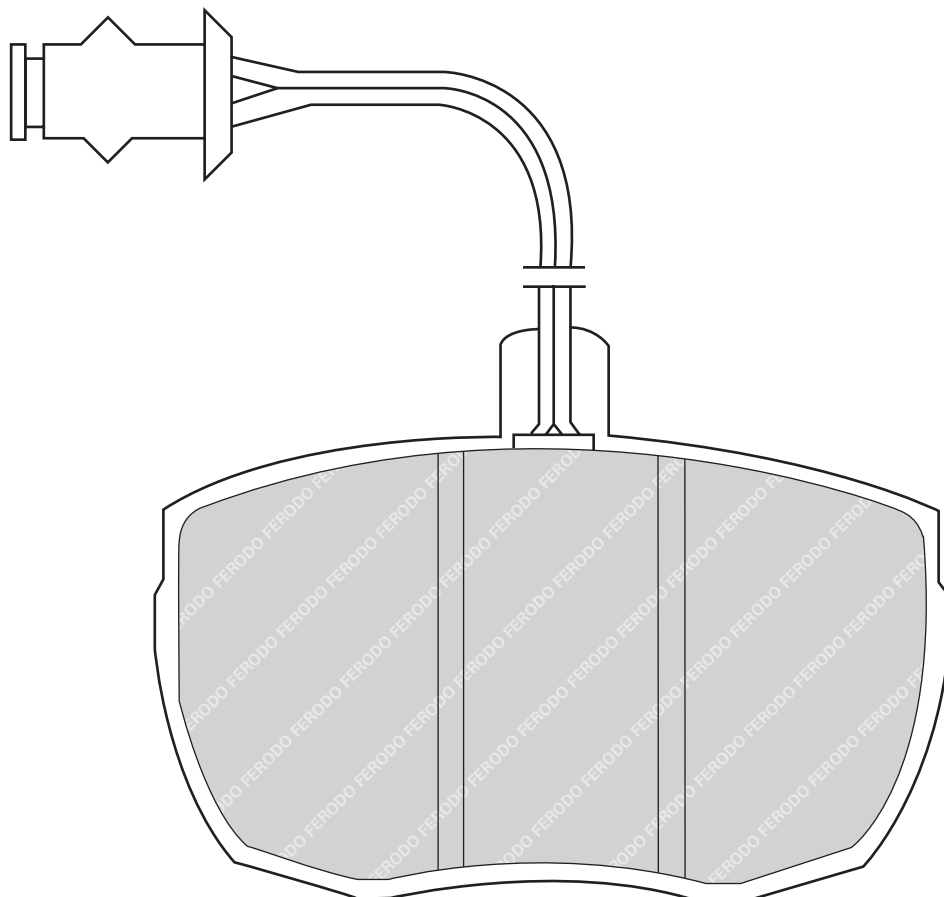


FDB841

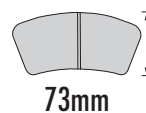
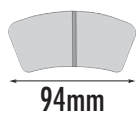


1 Wear Indicator pad per set - Handed

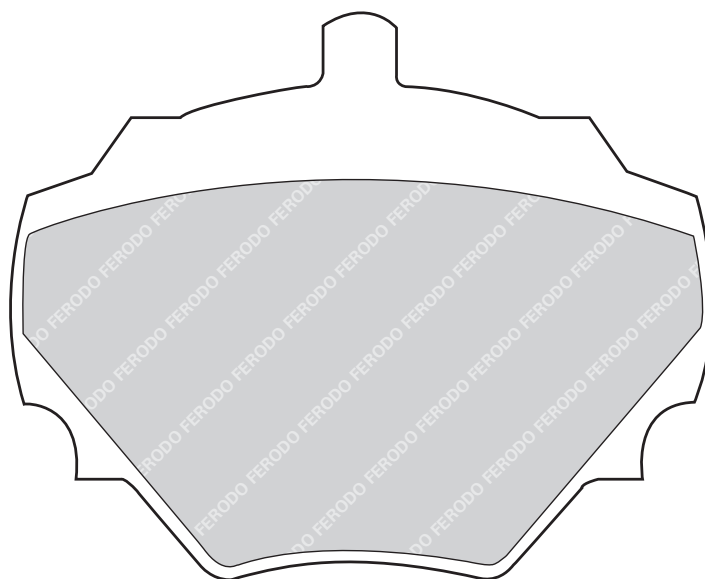
LANDROVER



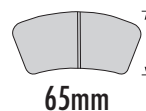
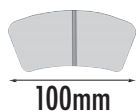
FDB844



LANDROVER

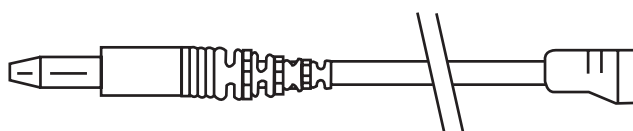
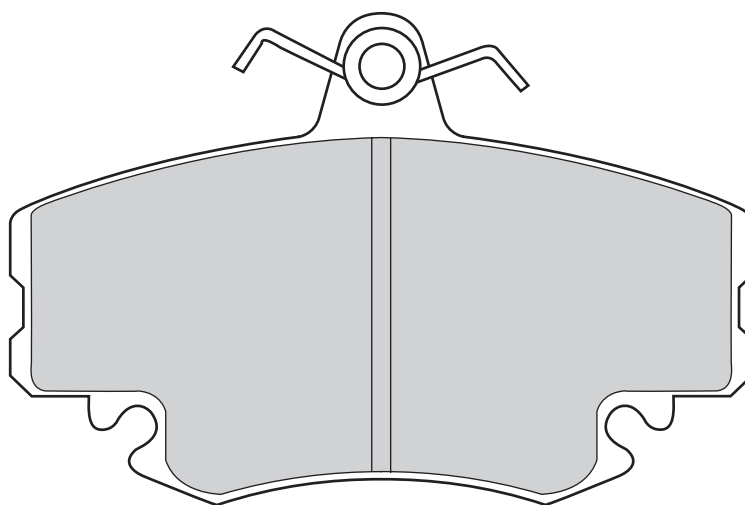


FDB845

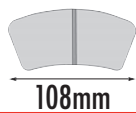


2 Wear Indicator pads per set (Supplied Loose)

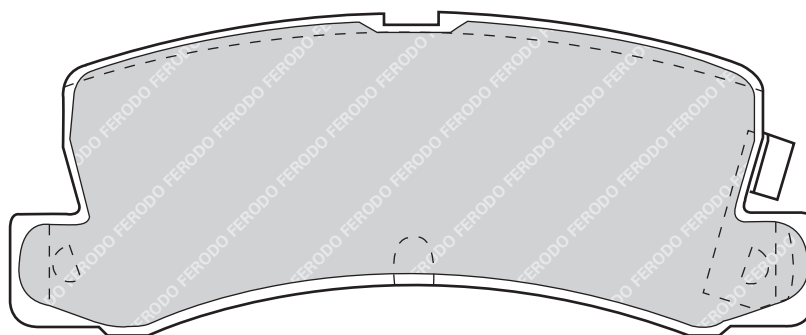
RENAULT



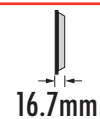
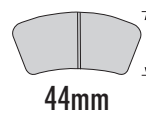
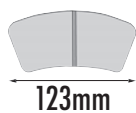
FDB848



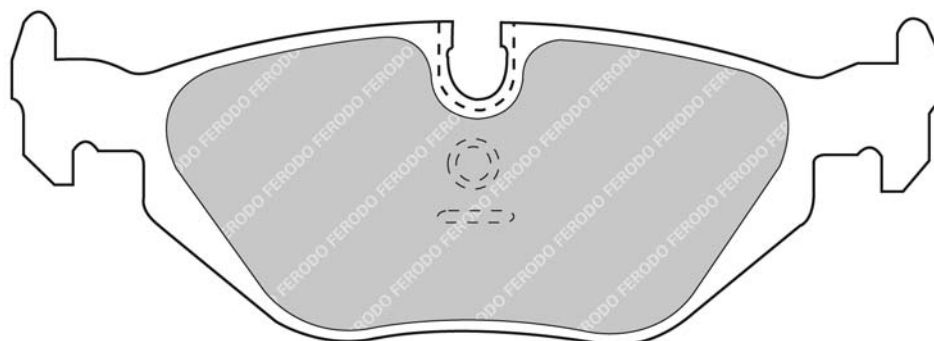
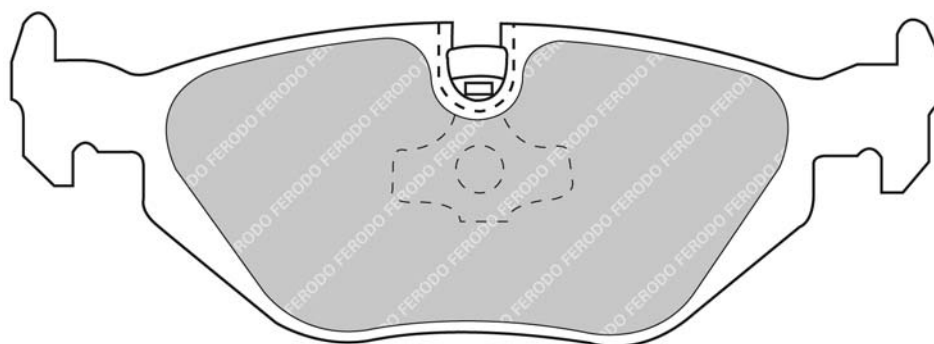
TOYOTA



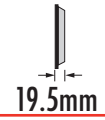
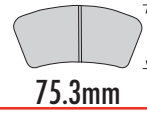
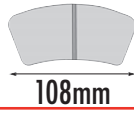
FDB850



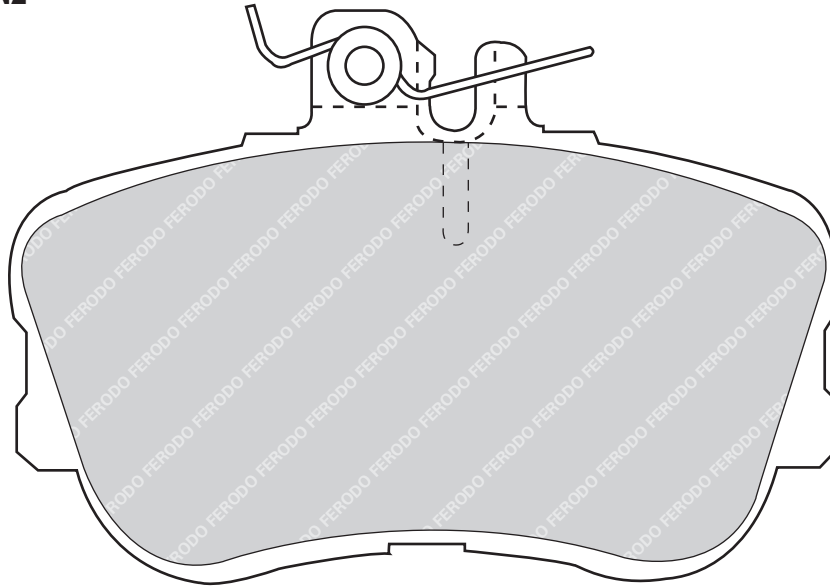
BMW



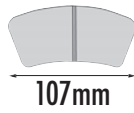
FDB854



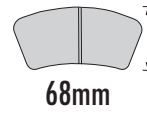
MERCEDES BENZ



FDB855



Inner
100mm

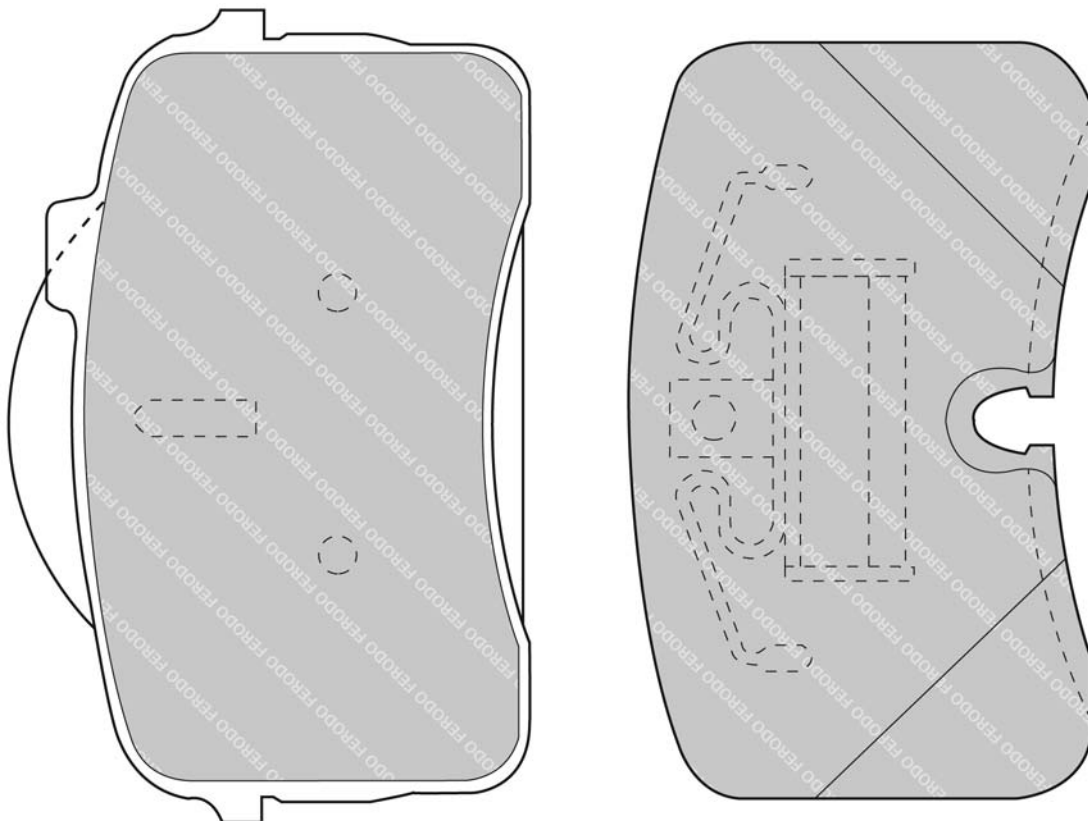


61mm

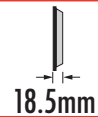
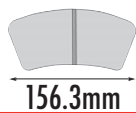


16.5mm

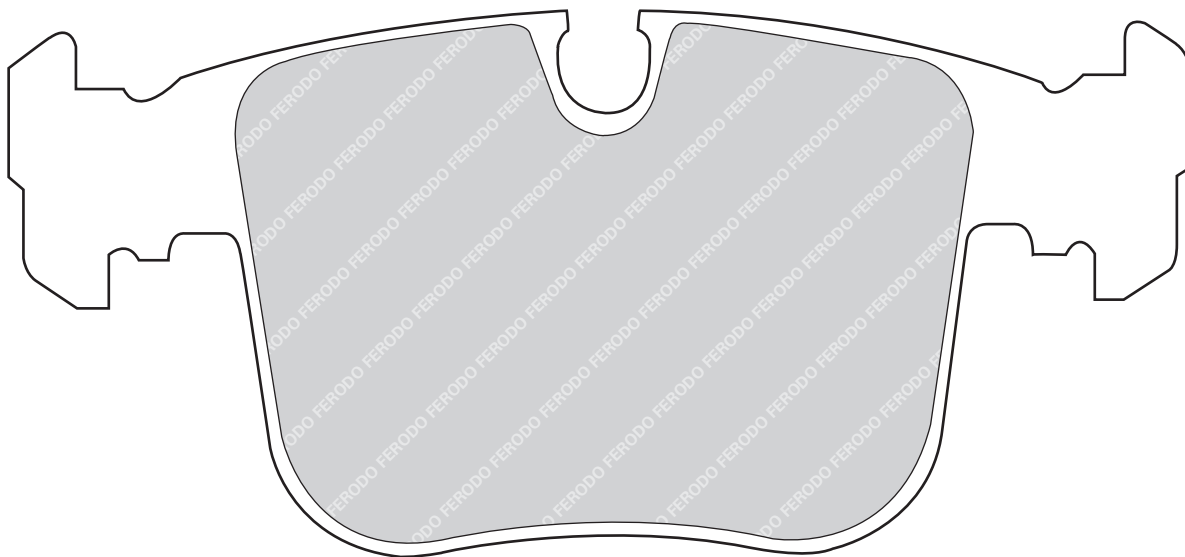
AUDI



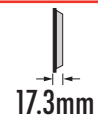
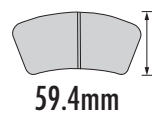
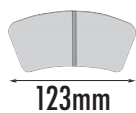
FDB856



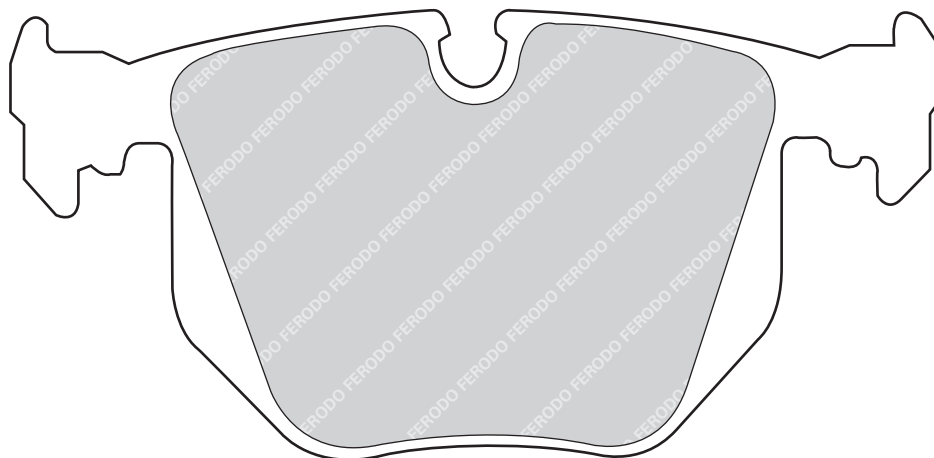
BMW, MASERATI



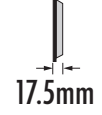
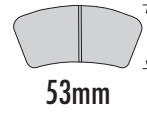
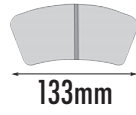
FDB857



BMW, MASERATI

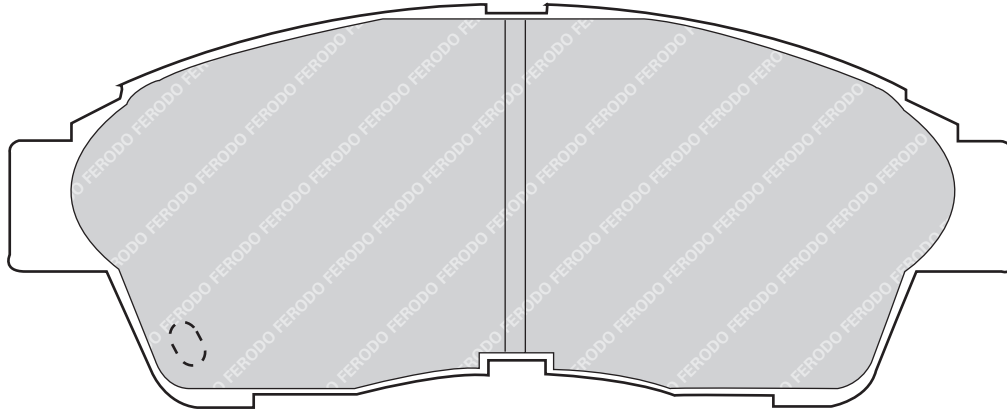
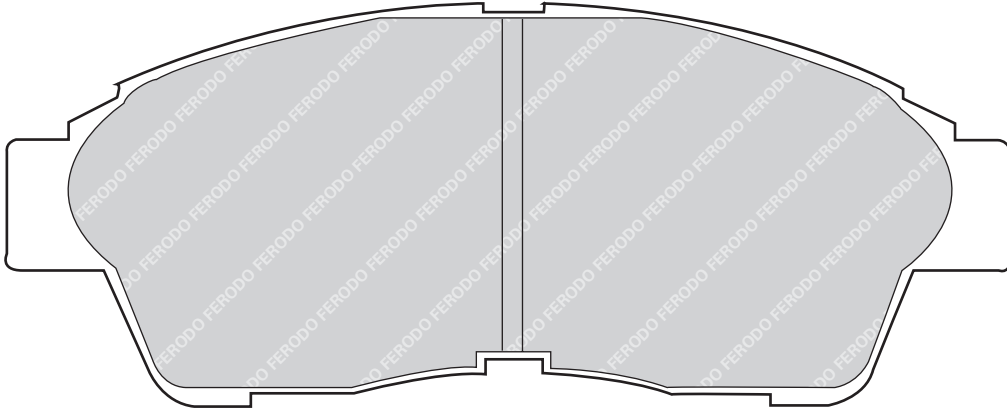


FDB867

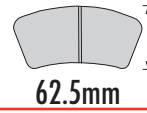
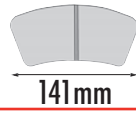


2 Wear Indicator pads per set - Handed

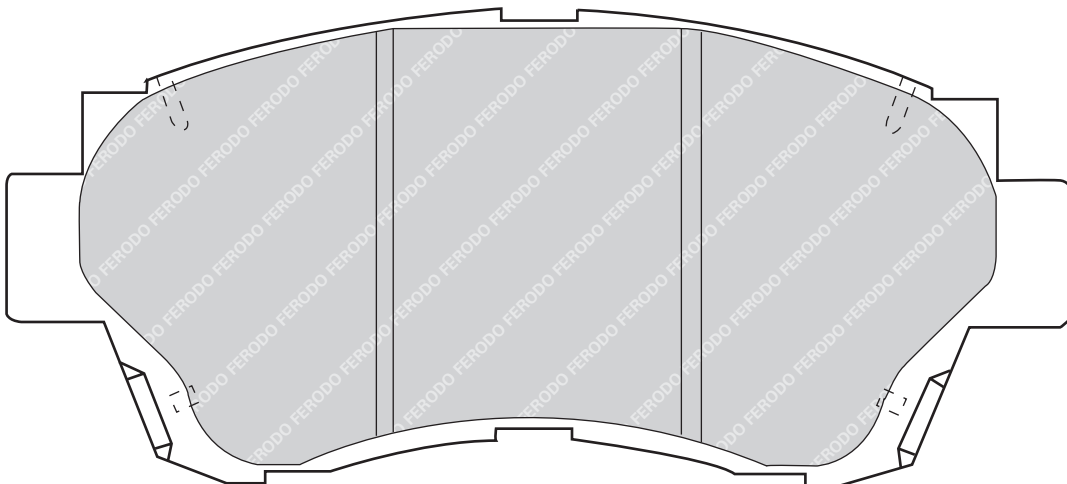
TOYOTA



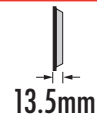
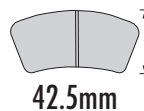
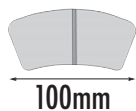
FDB868



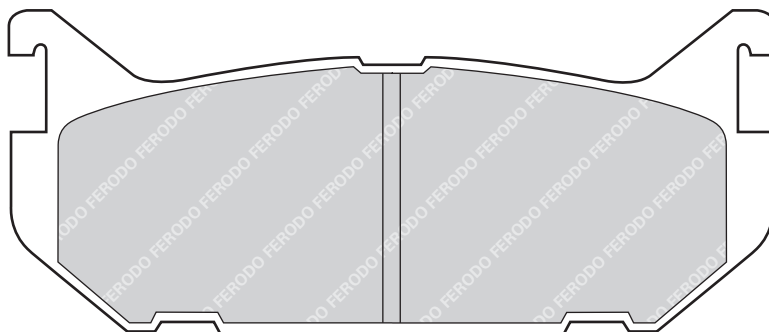
TOYOTA



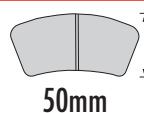
FDB869



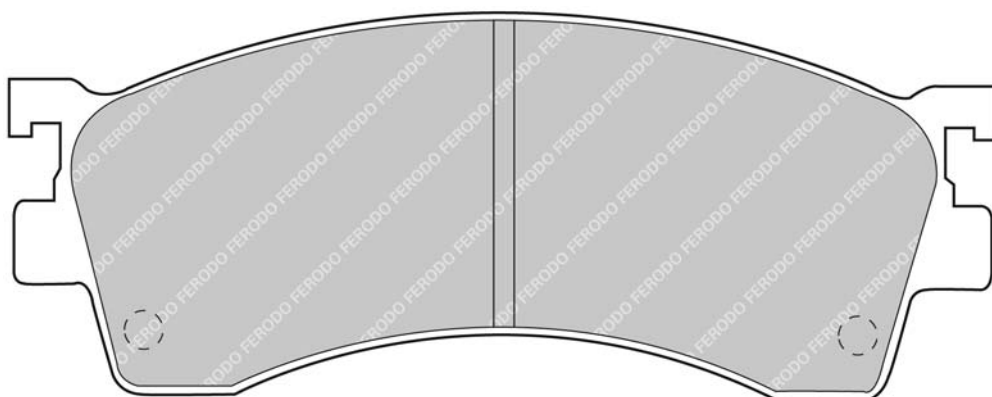
FORD, MAZDA



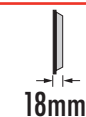
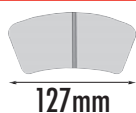
FDB870



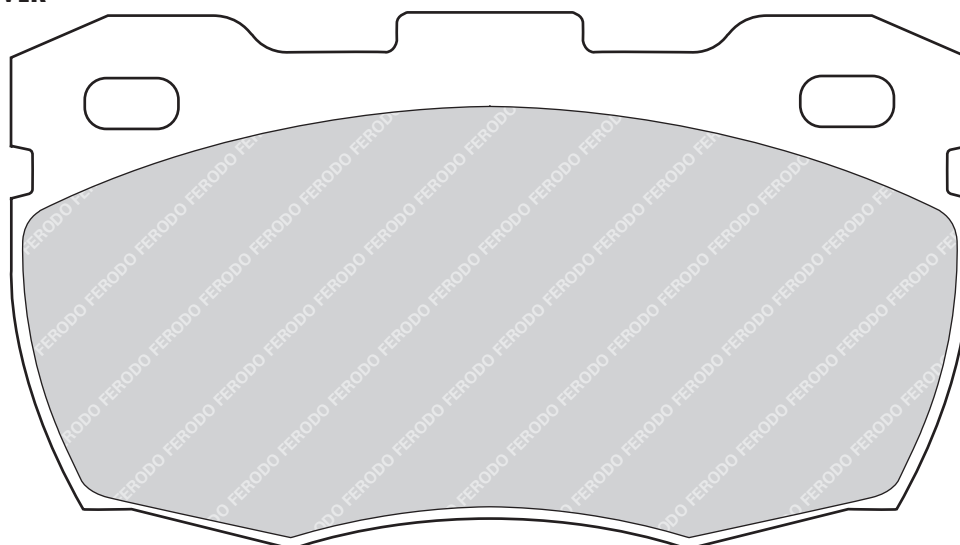
FORD, MAZDA



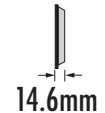
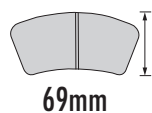
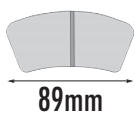
FDB871



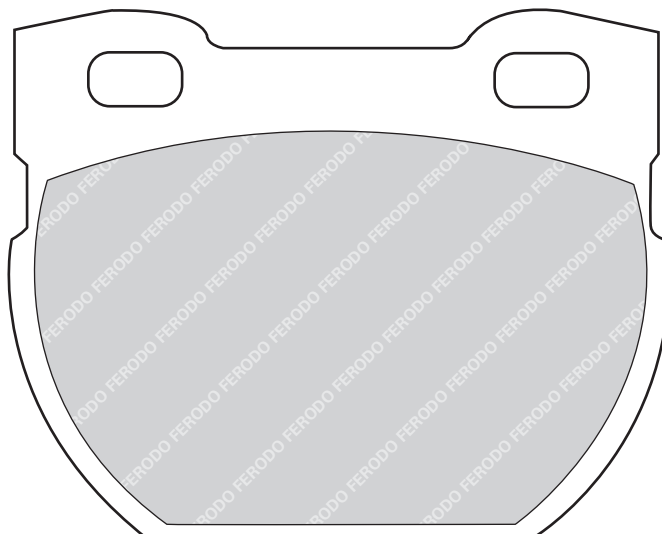
LANDROVER



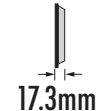
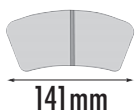
FDB872



LANDROVER

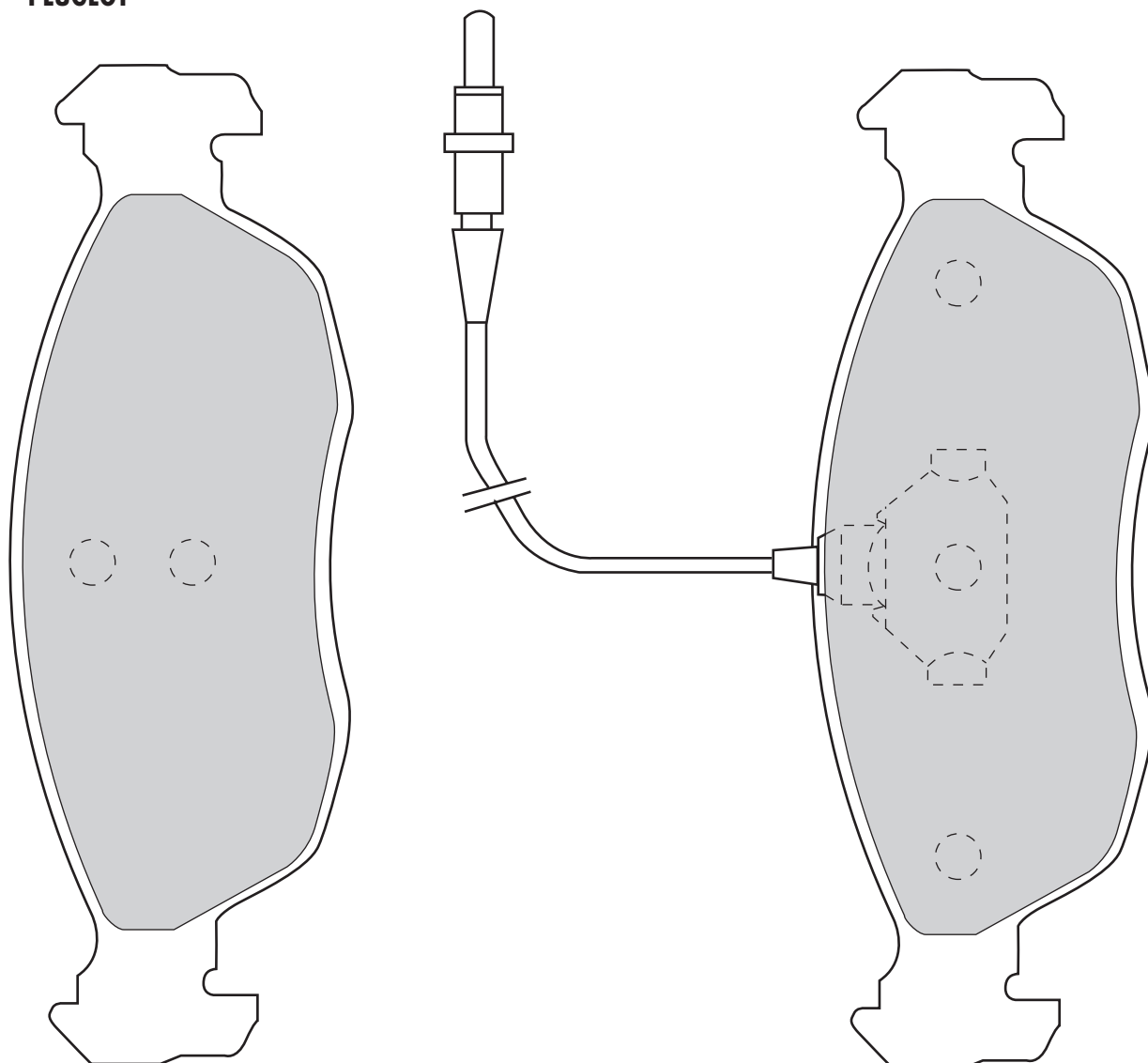


FDB876

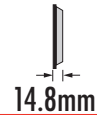
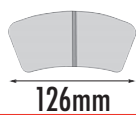


2 Wear Indicator pads per set

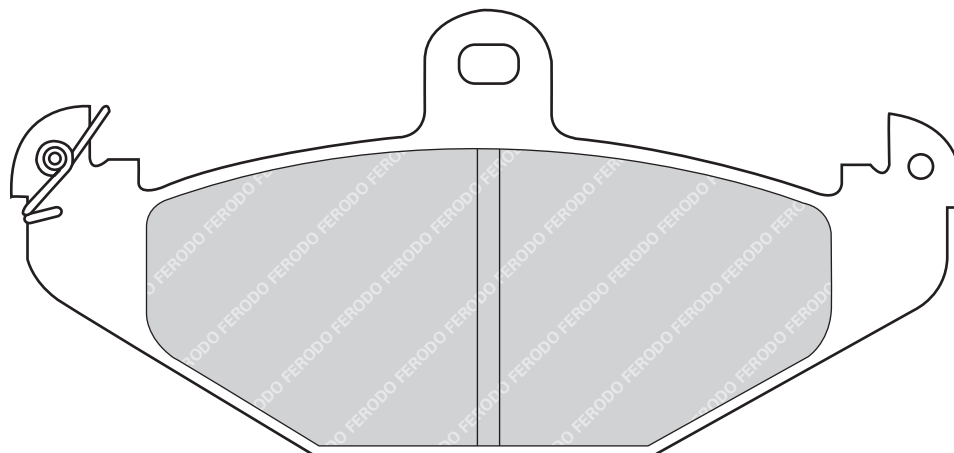
PEUGEOT



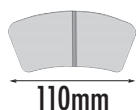
FDB878



RENAULT

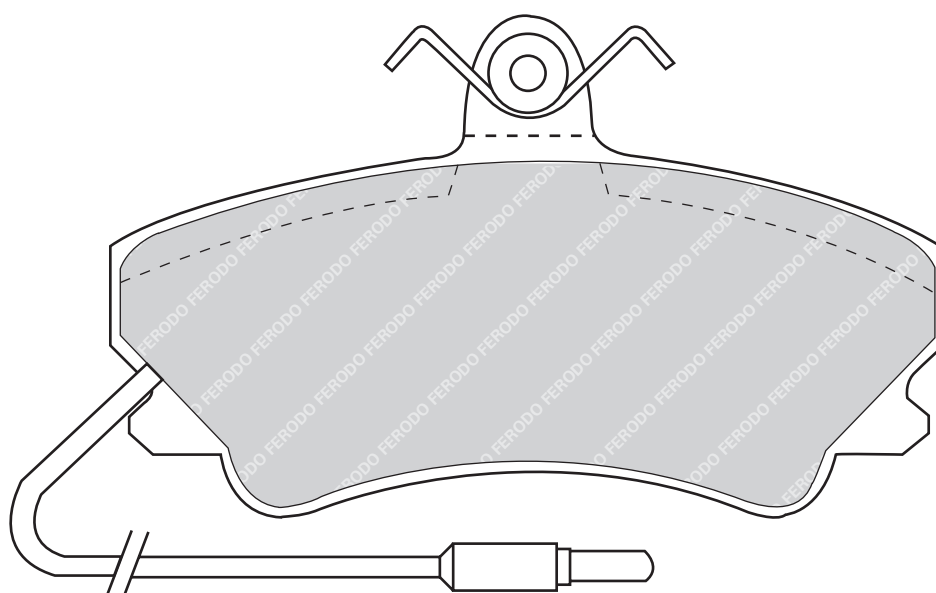


FDB880

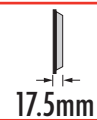
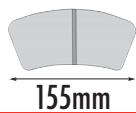


2 Wear Indicator pads per set - Handed

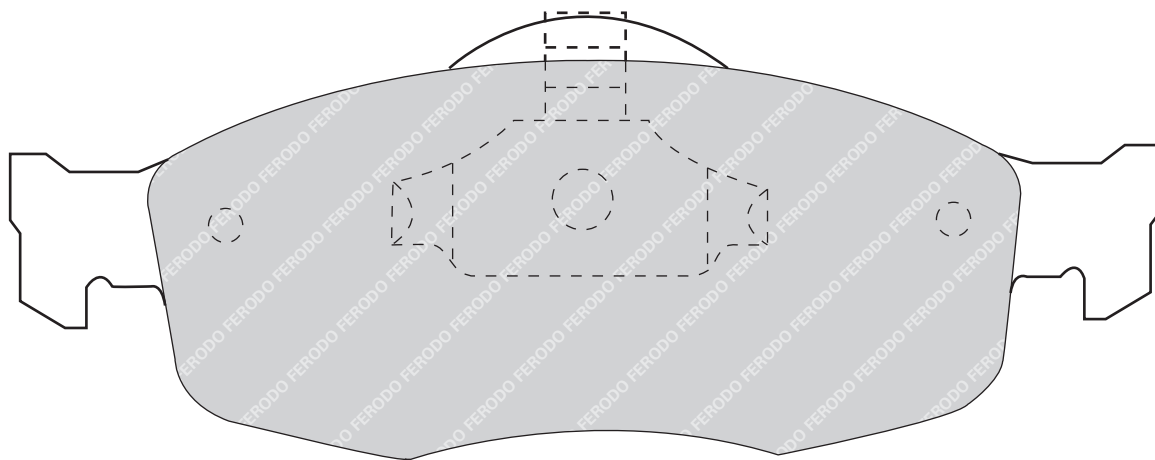
RENAULT



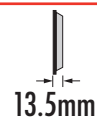
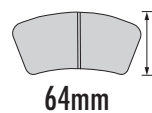
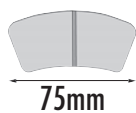
FDB884



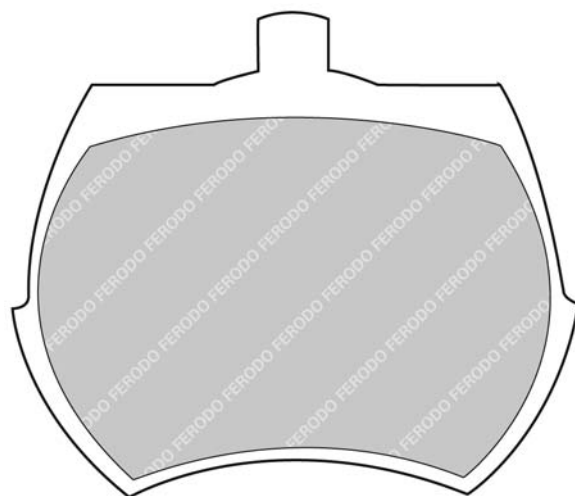
FORD



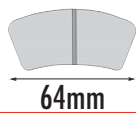
FDB885



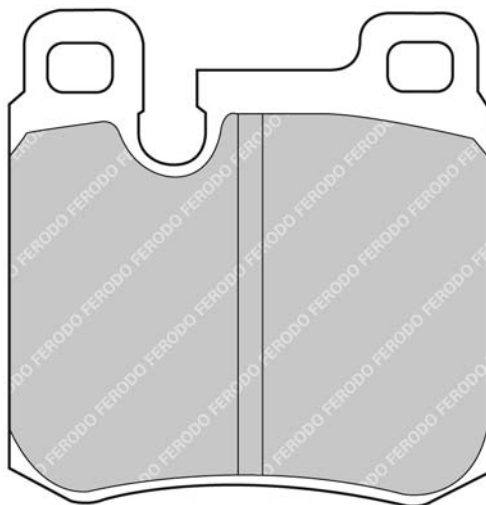
AUSTIN, CHEVROLET, VAUXHALL



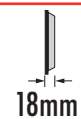
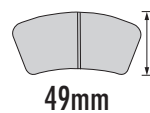
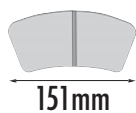
FDB890



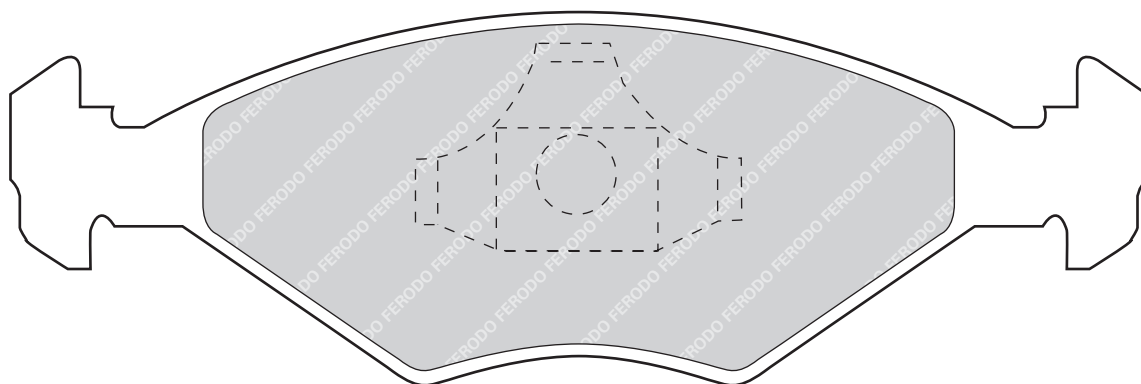
PORSCHE




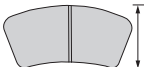

FDB896



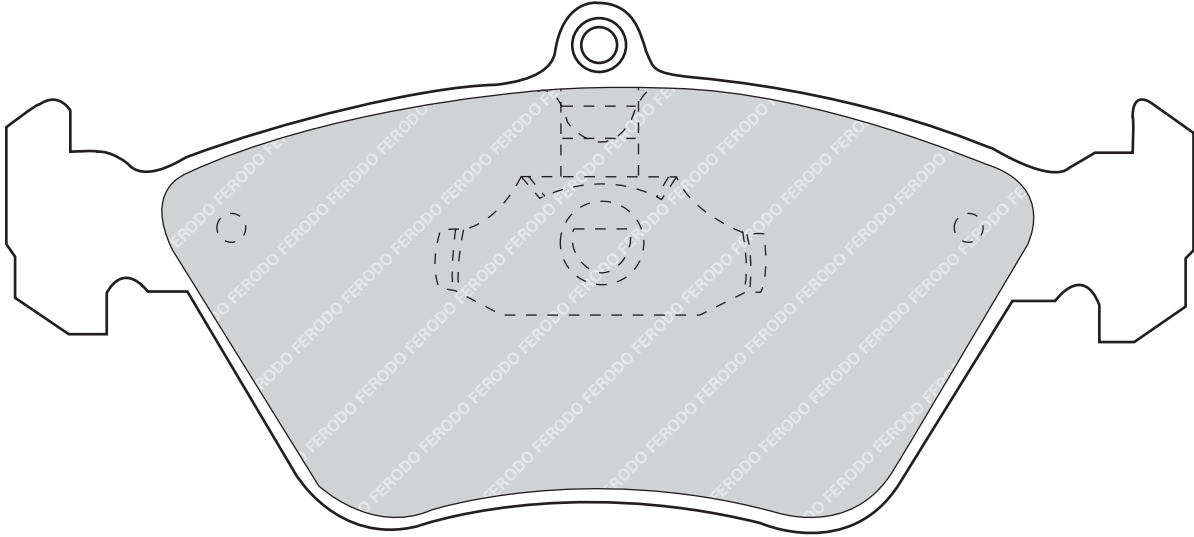
FIAT




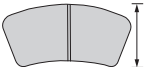

FDB901

			
Outer	156mm	71mm	17.5mm
Inner	156mm	61mm	17.5mm

OPEL, SAAB

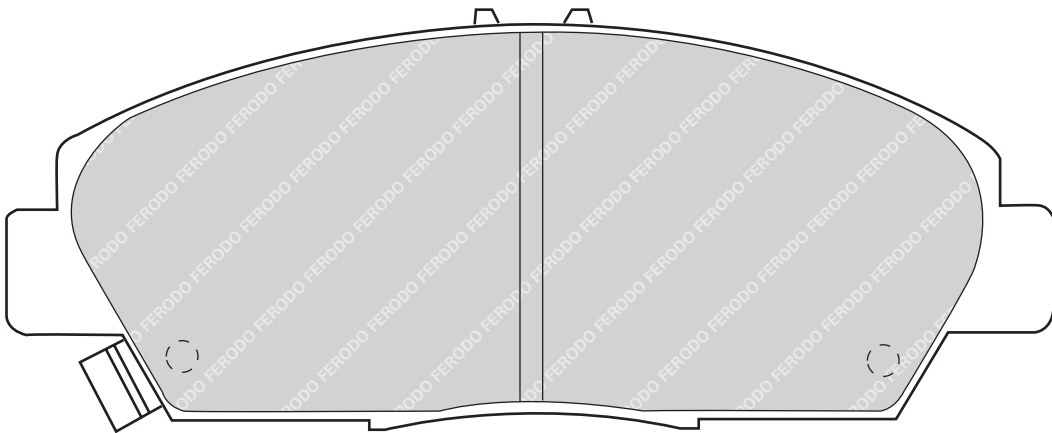


FDB904

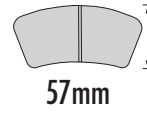
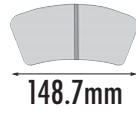
		
138mm	53mm	18.5mm

2 Wear Indicator pads per set - Handed

HONDA

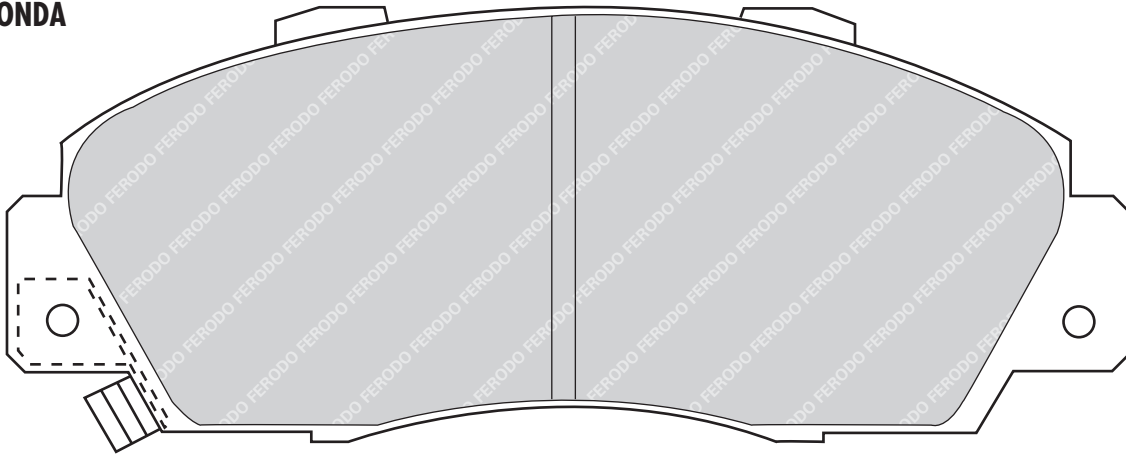


FDB905

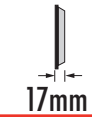
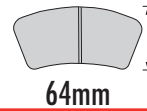
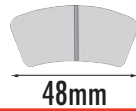


2 Wear Indicator pads per set - Handed

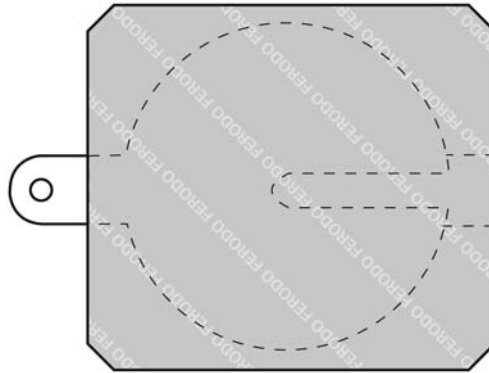
HONDA



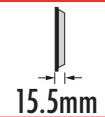
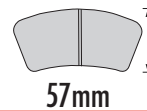
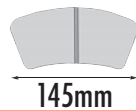
FDB908



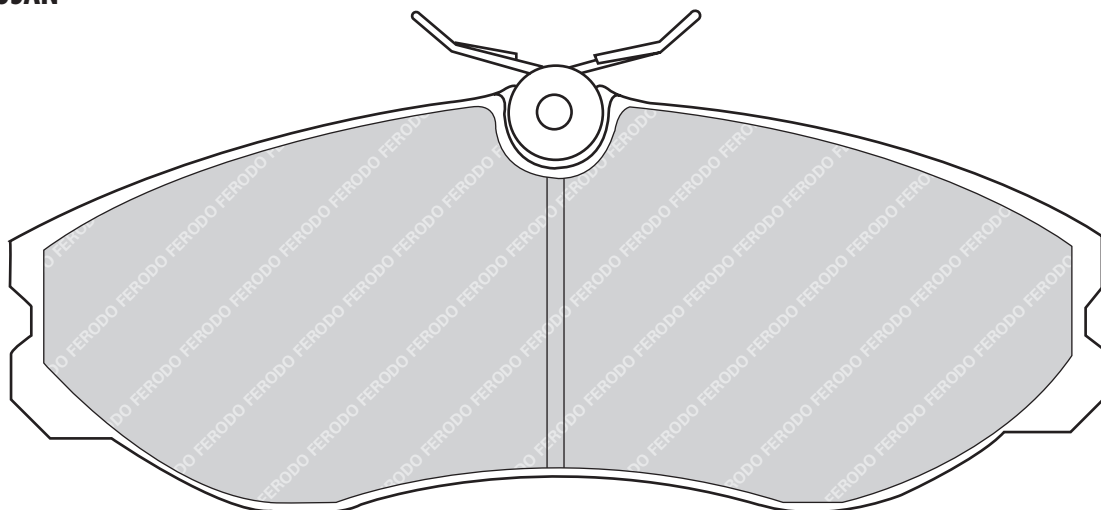
JAGUAR, LANCIA, NISSAN, ROVER



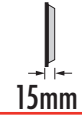
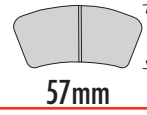
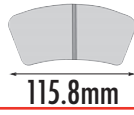
FDB909



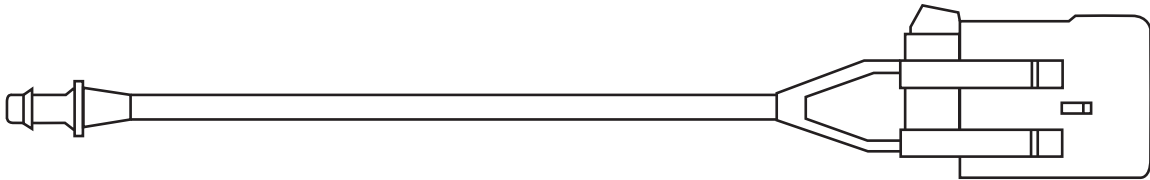
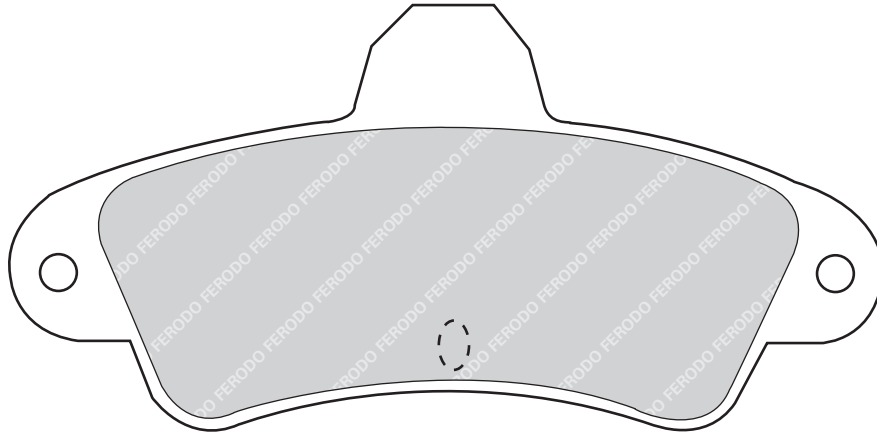
NISSAN



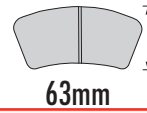
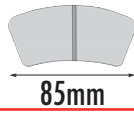
FDB913



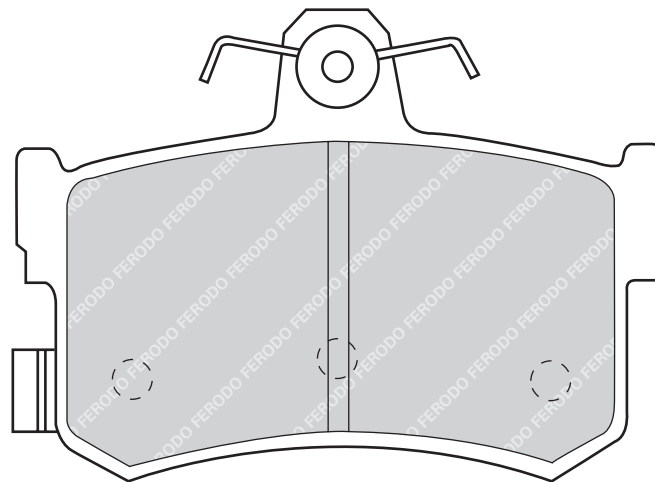
FORD



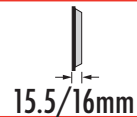
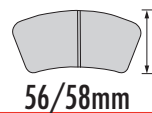
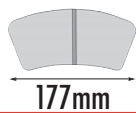
FDB917



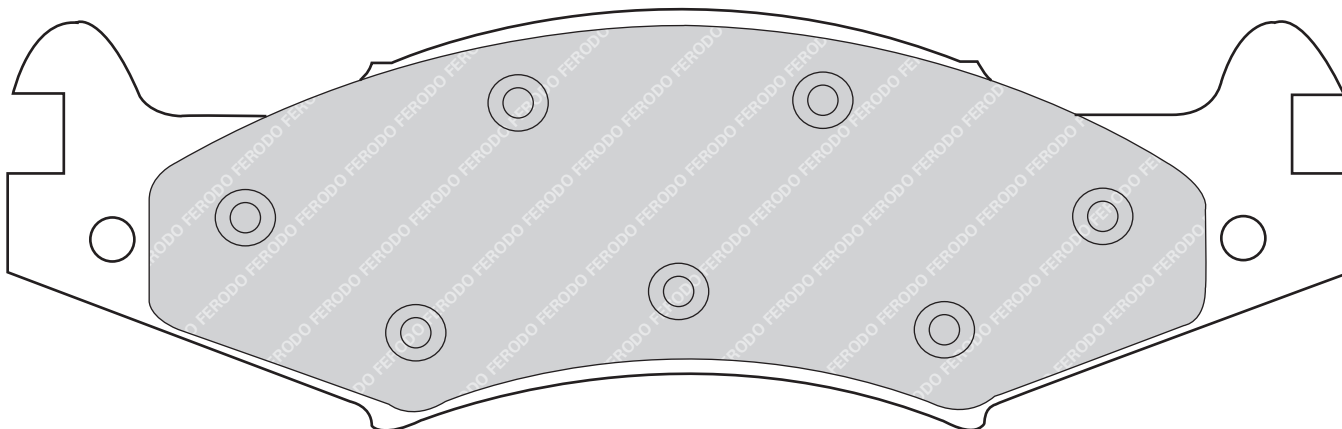
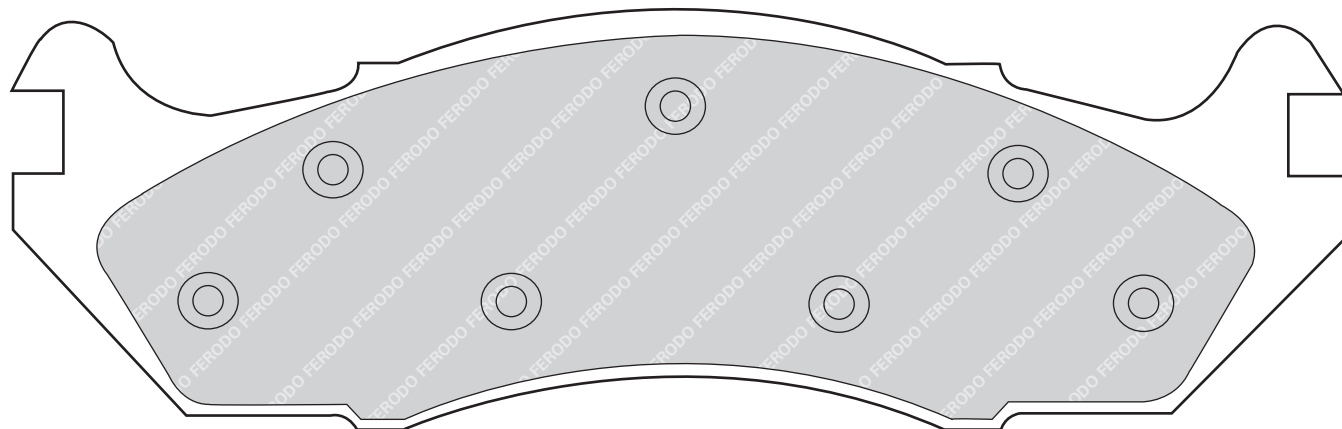
HONDA



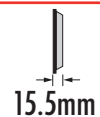
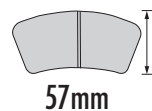
FDB920



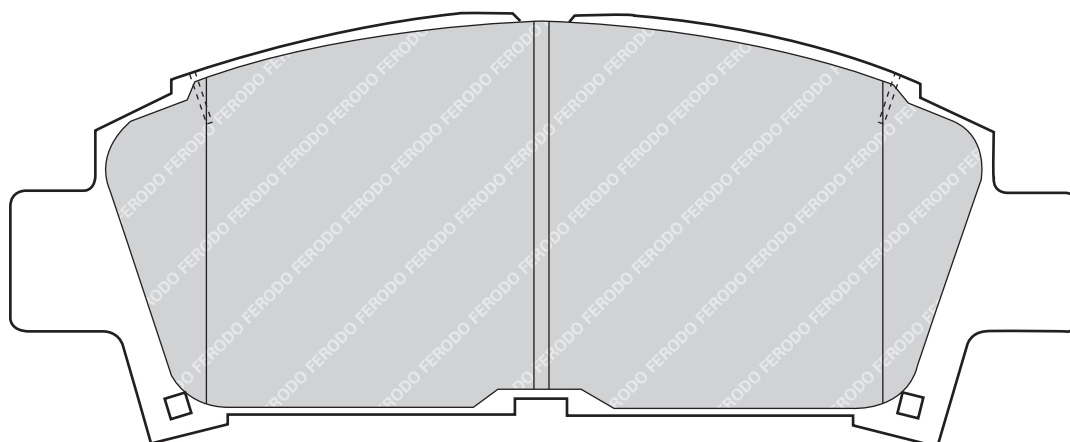
CHRYSLER



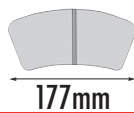
FDB928



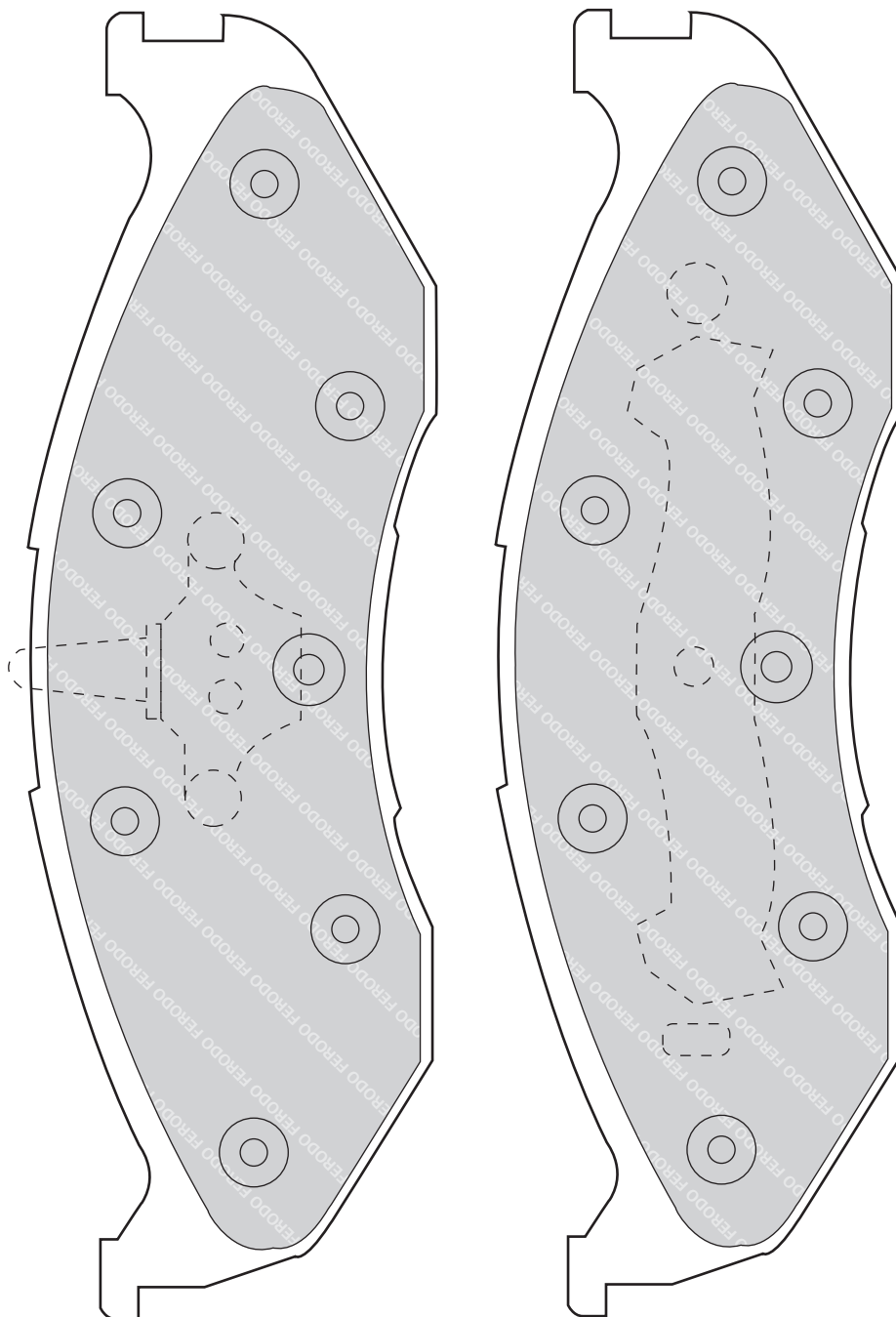
TOYOTA



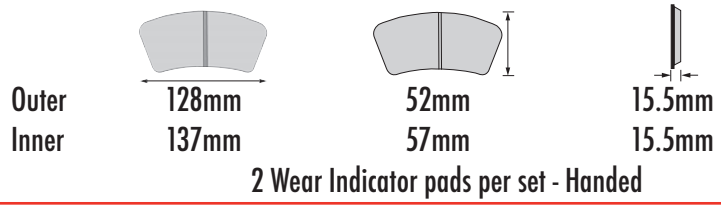
FDB929



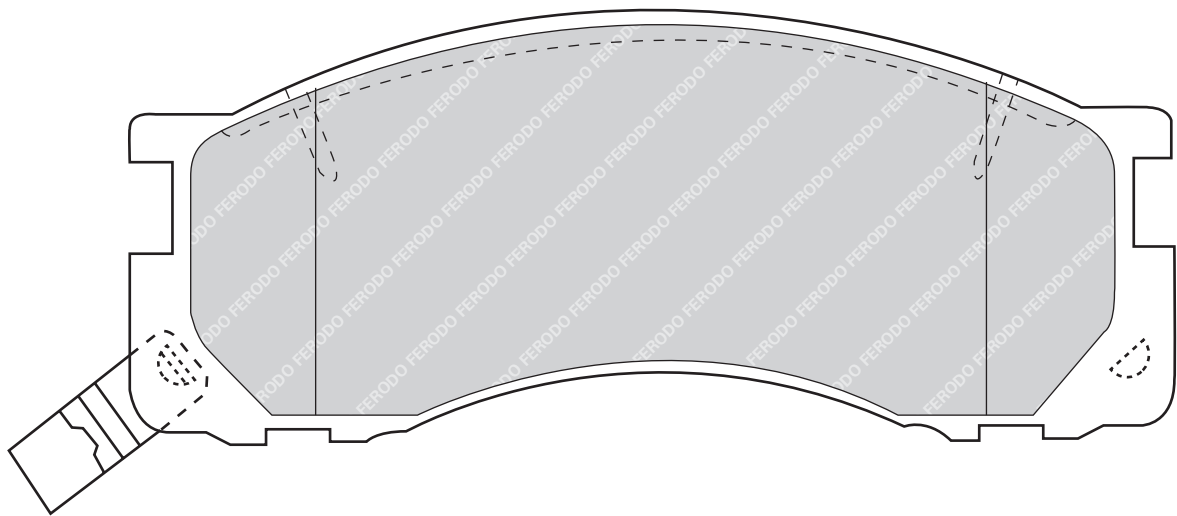
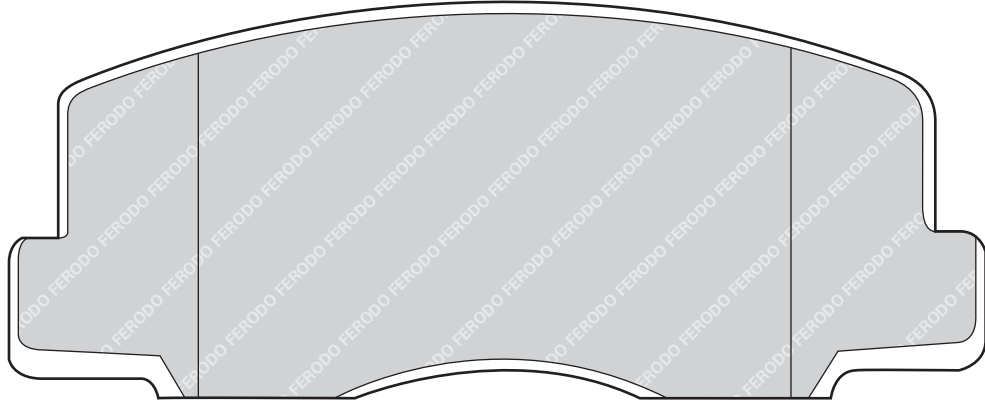
JEEP



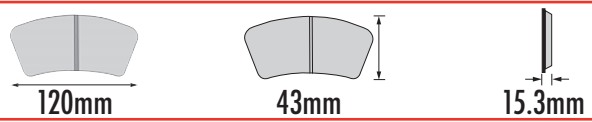
FDB930



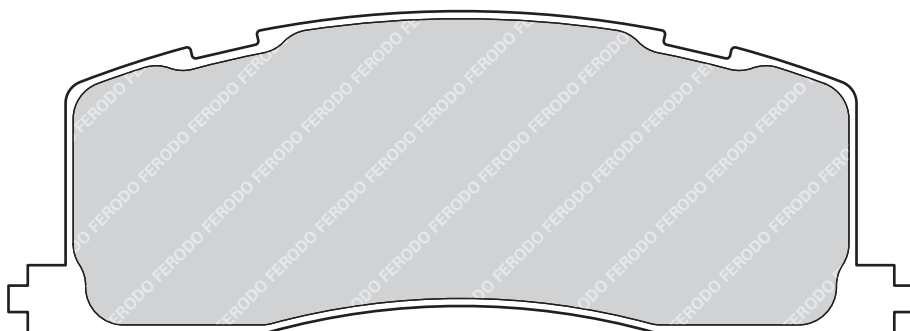
TOYOTA



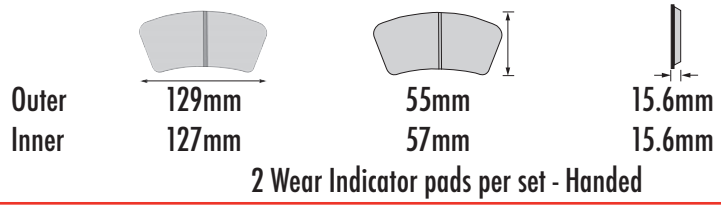
FDB931



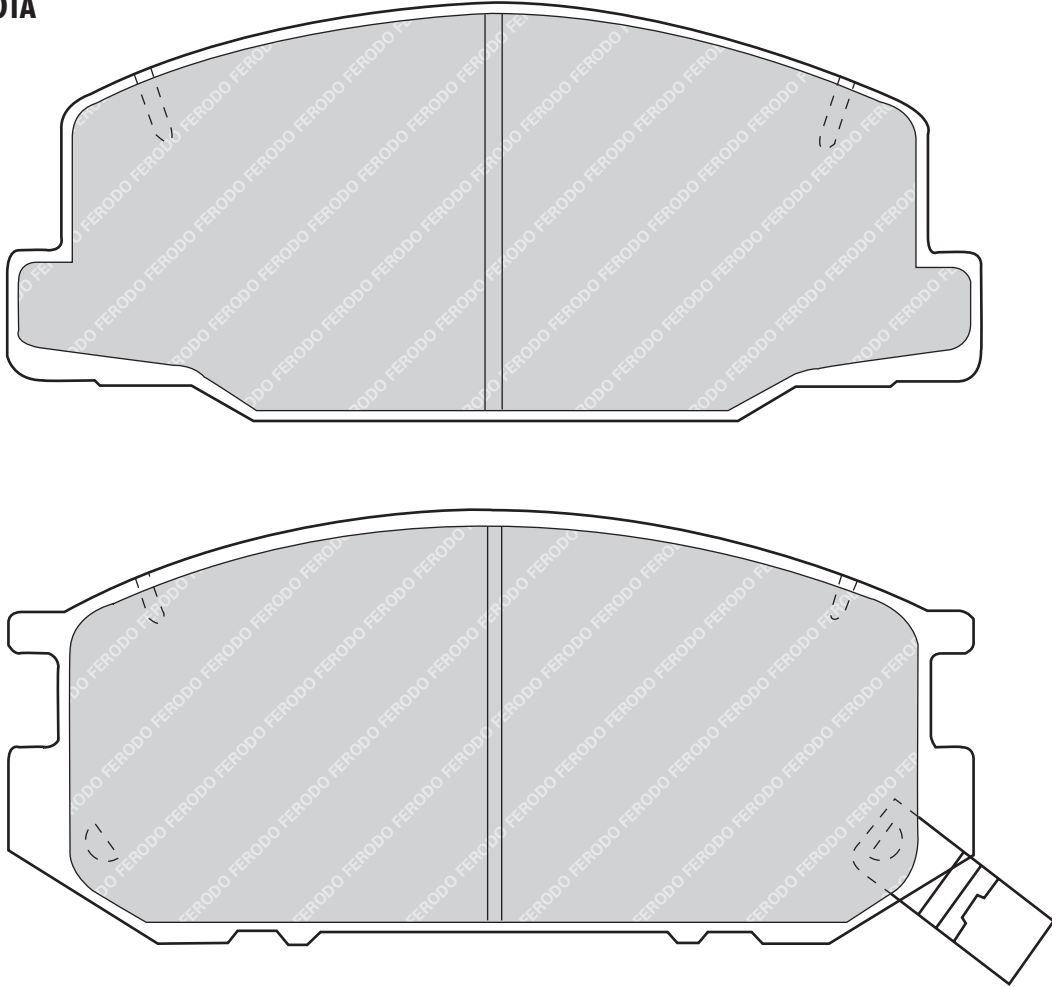
TOYOTA



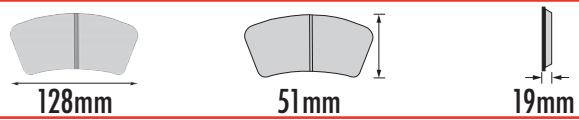
FDB932



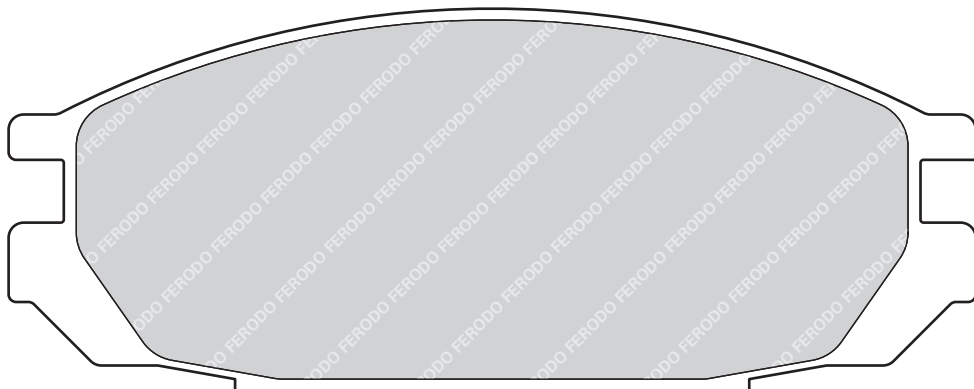
TOYOTA



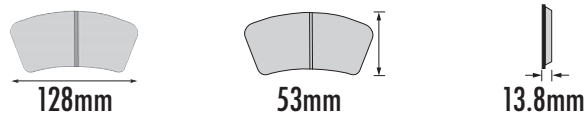
FDB937



NISSAN

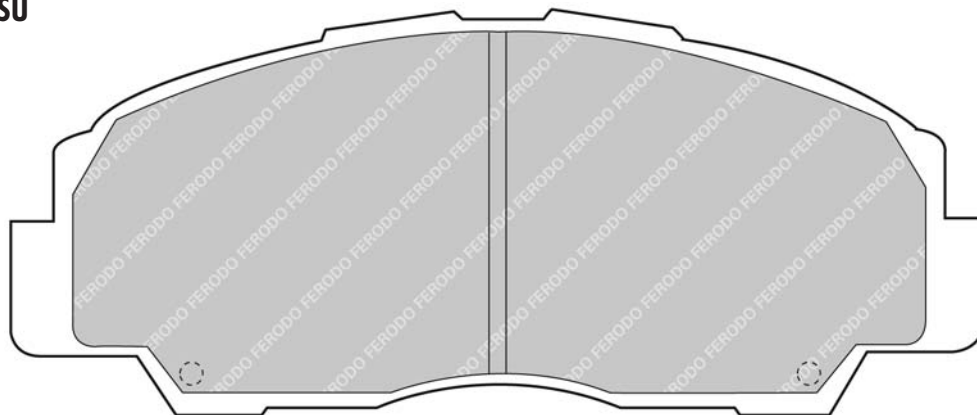


FDB938

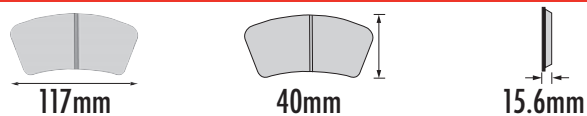


2 Wear Indicator pads per set - Handed

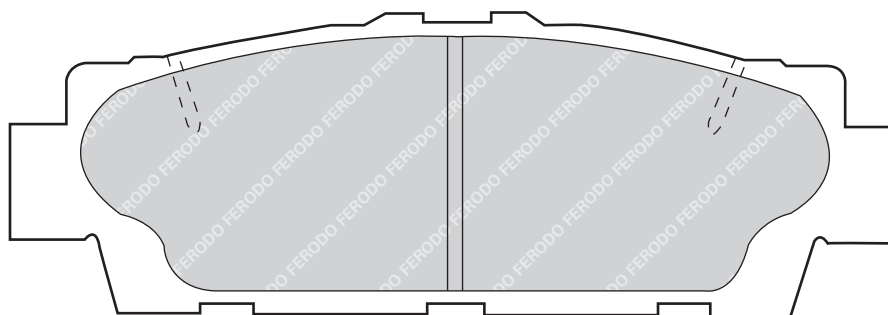
DAIHATSU



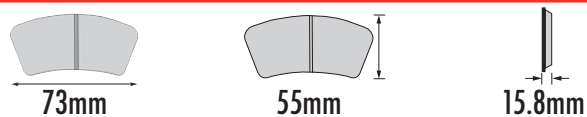
FDB945



TOYOTA

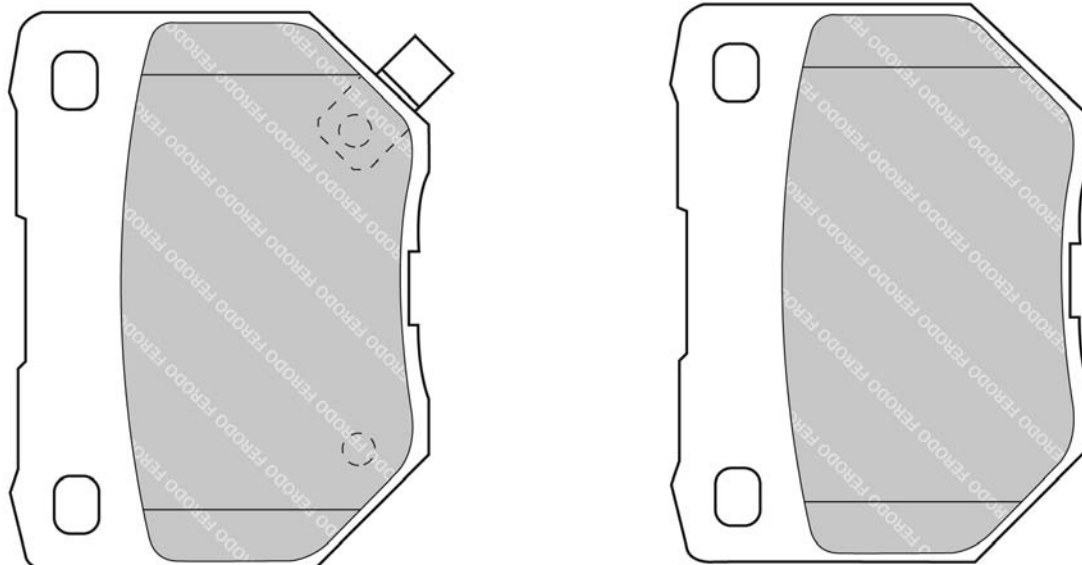


FDB946

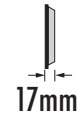
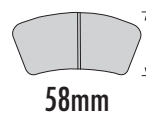
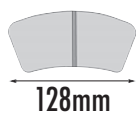


2 Wear Indicator pads per set

NISSAN

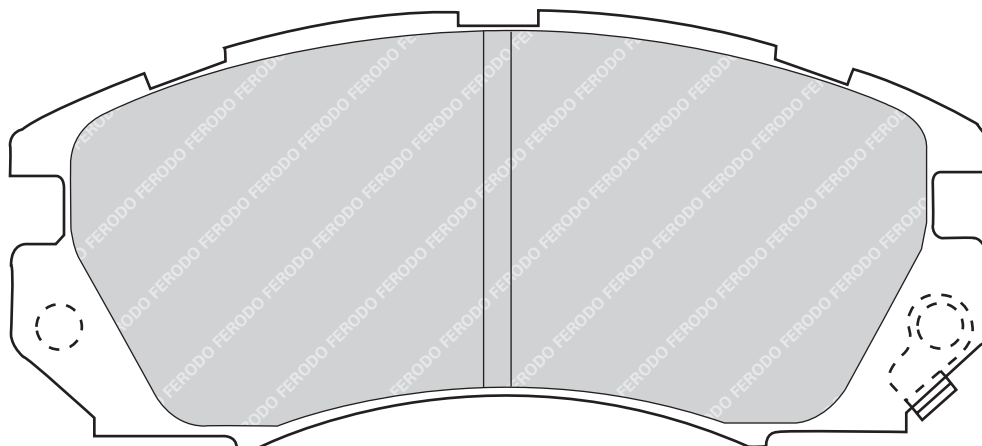


FDB948

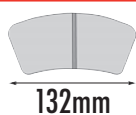


2 Wear Indicator pads per set

SUBARU

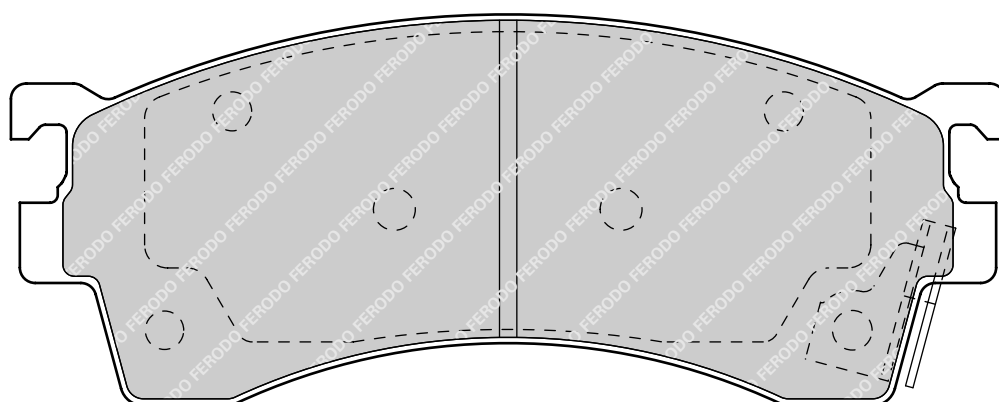
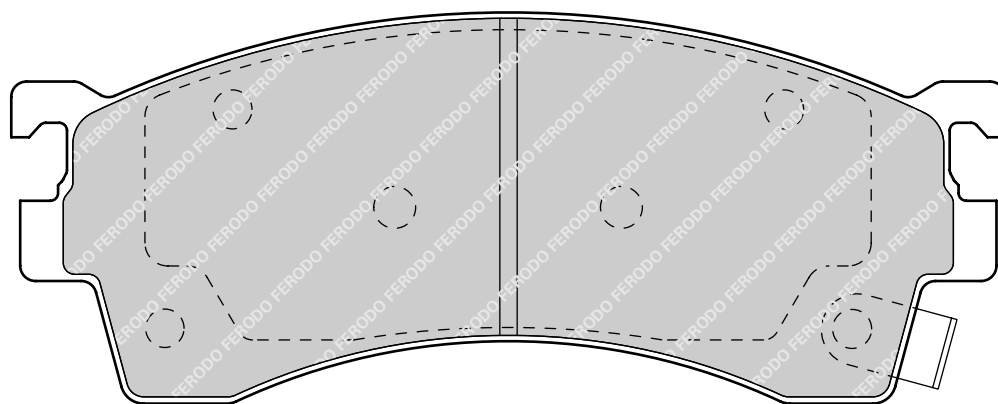


FDB950

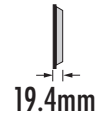
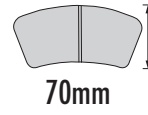
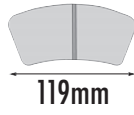


4 Wear Indicator pads per set

MAZDA

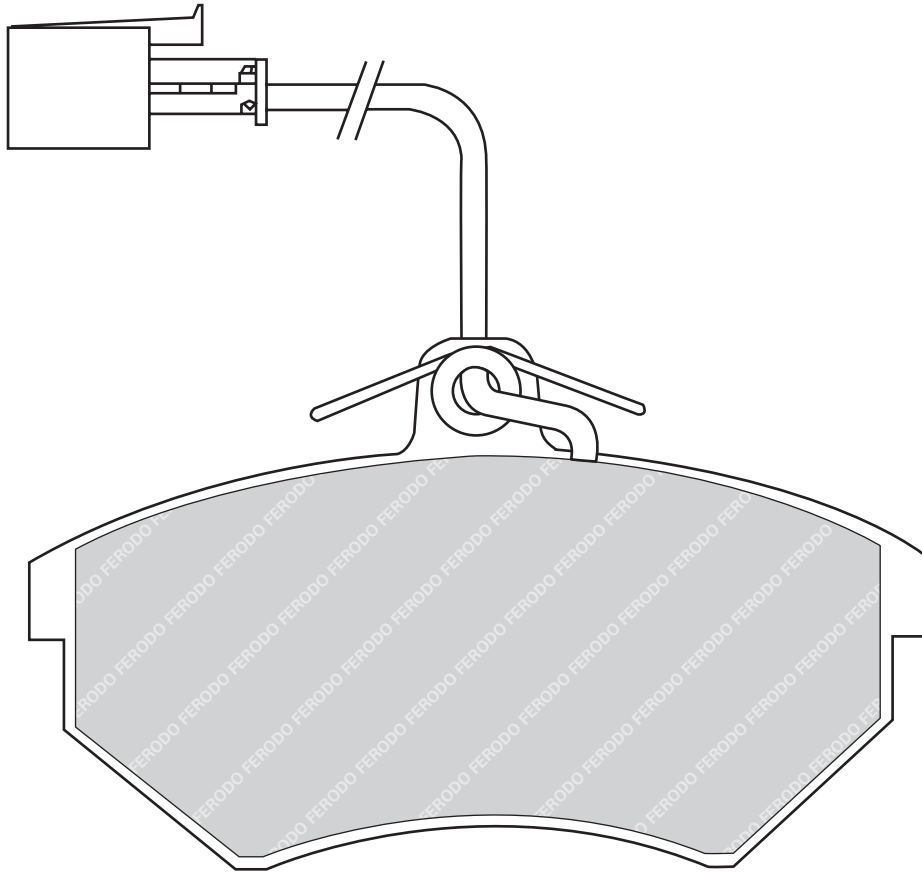


FDB951



2 Wear Indicator pads per set

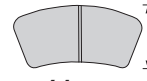
VOLKSWAGEN



FDB953



156mm



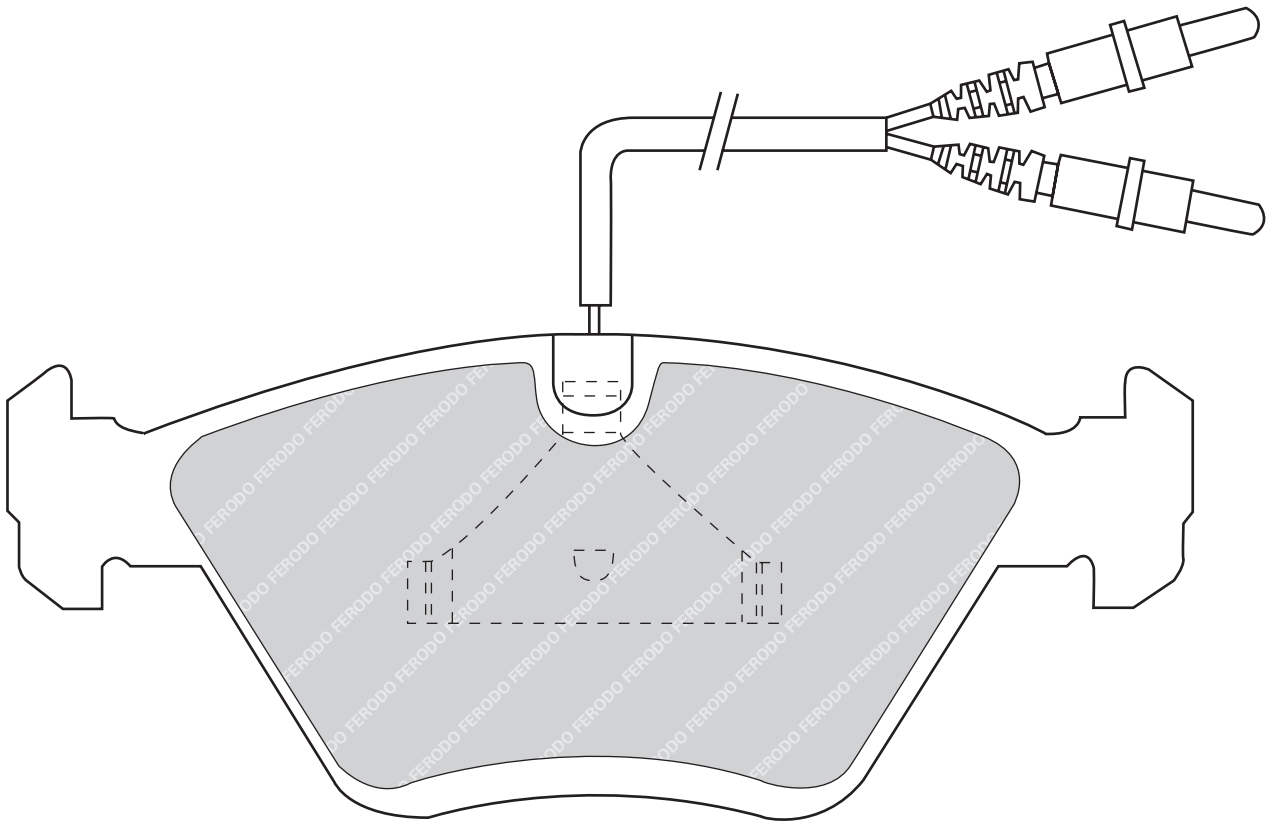
64mm



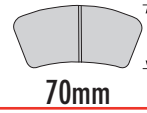
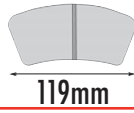
18.5mm

2 Wear Indicator pads (with spring clips) per set

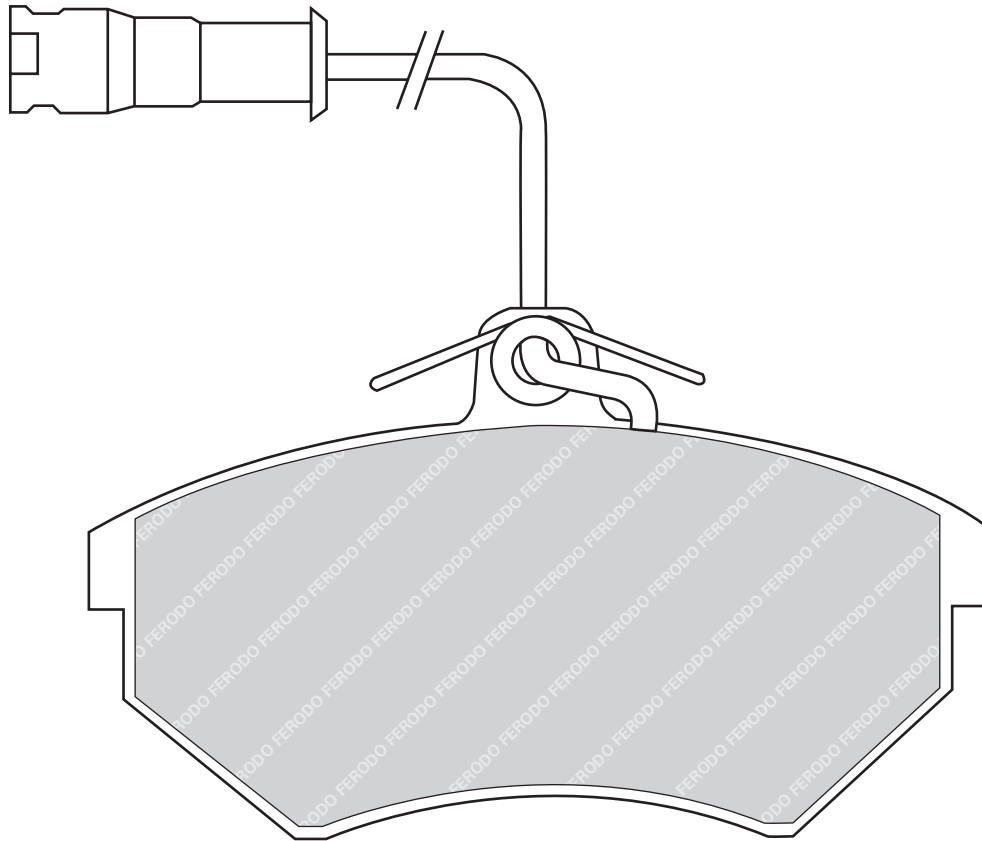
PEUGEOT



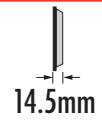
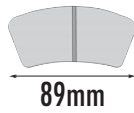
FDB954



AUDI, VOLKSWAGEN

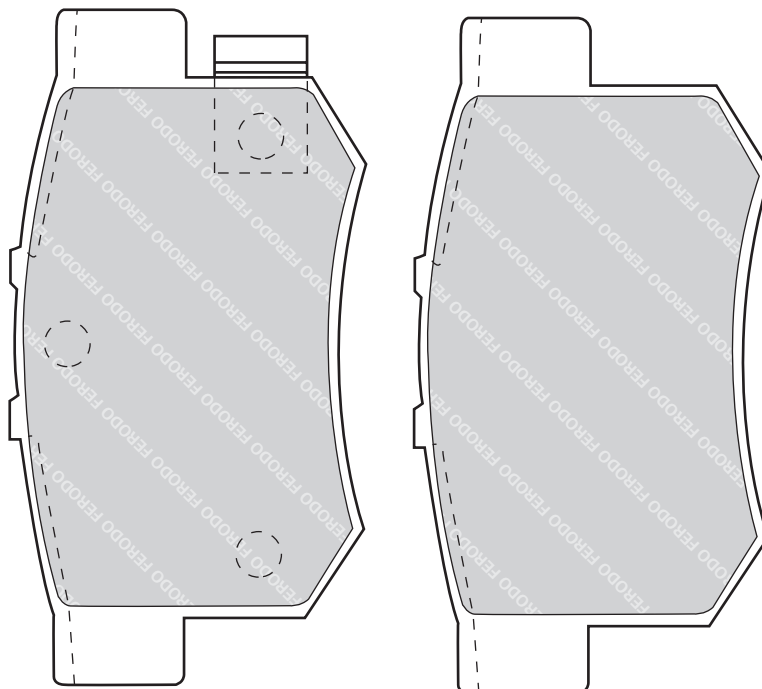


FDB956

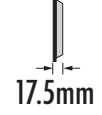
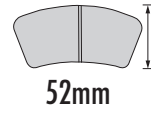
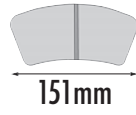


2 Wear Indicator pads per set - Handed

HONDA

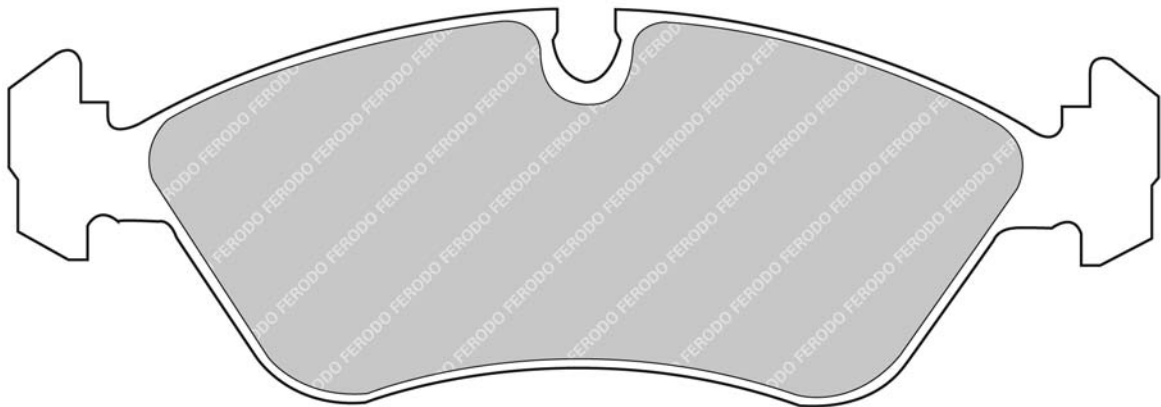
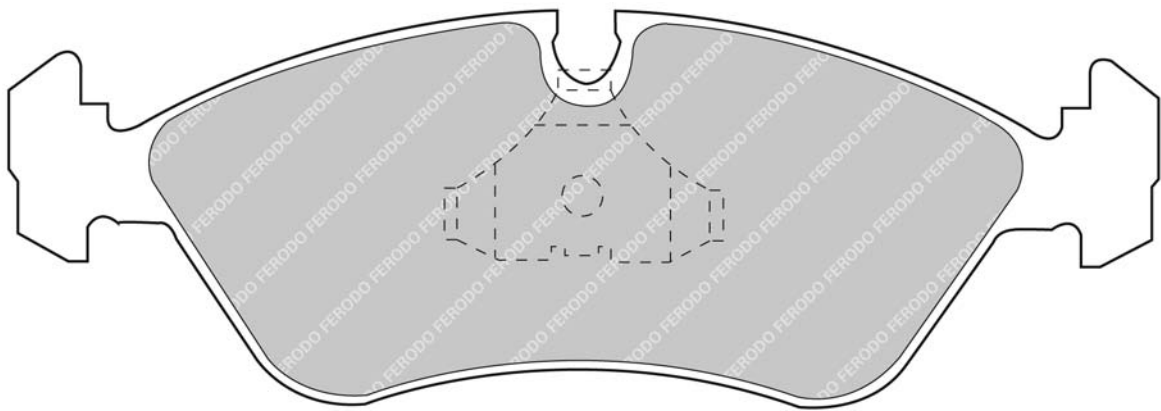


FDB965

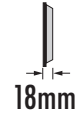
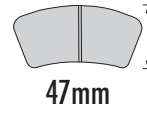
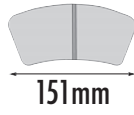


1 Set = 2 x Inners with clip; 2 x Outers plain

OPEL

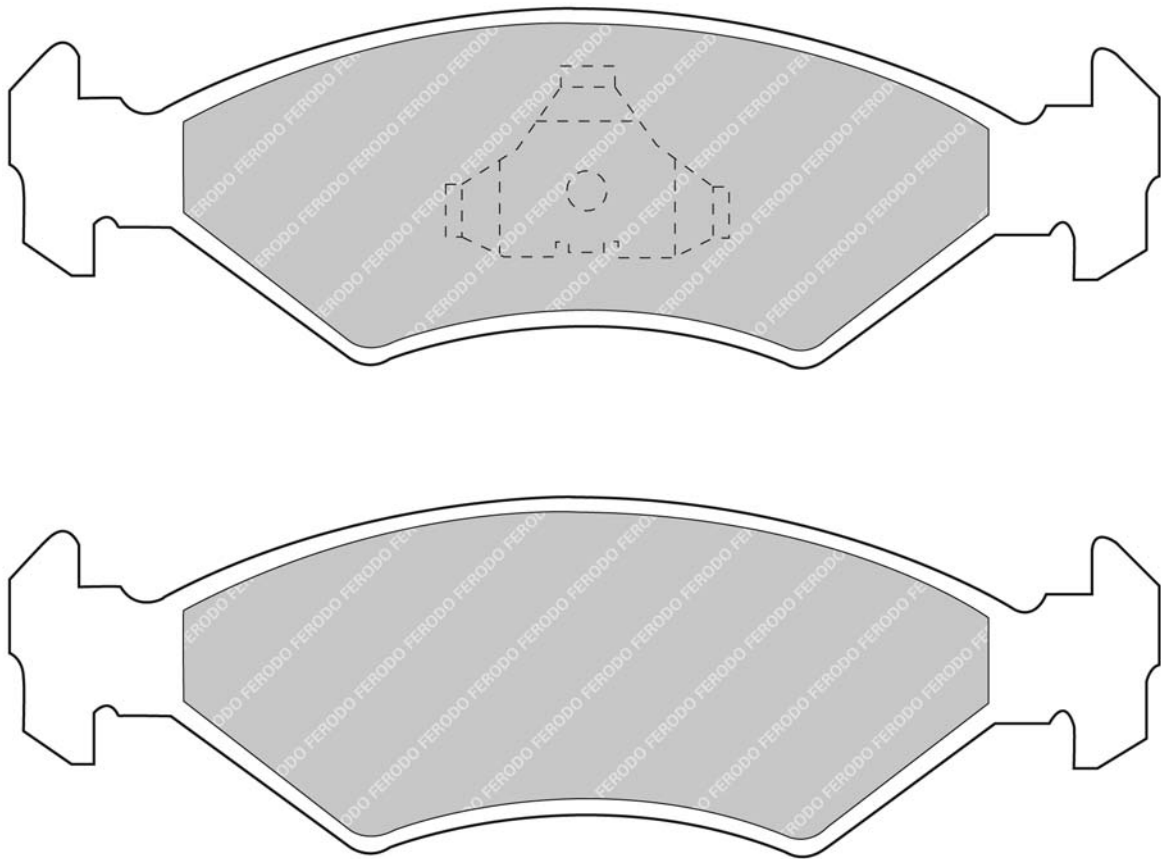


FDB966

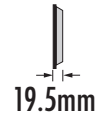
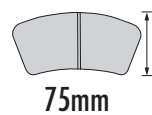
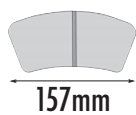


2 x Inners with clip; 2 x Outers plain

FORD, OPEL

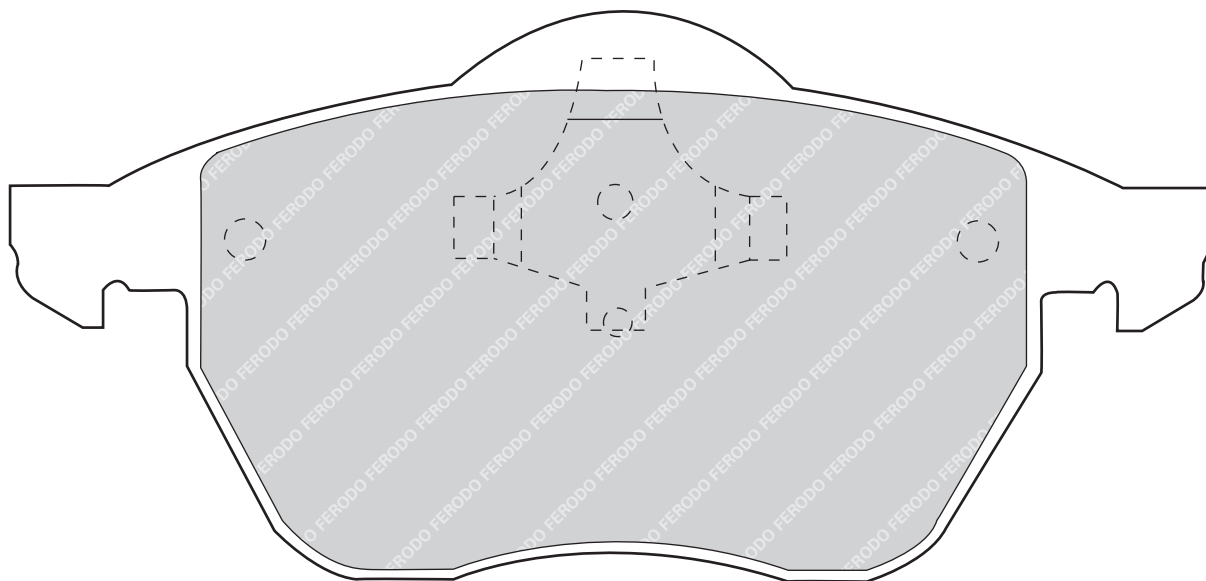


FDB969

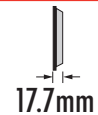
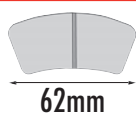


2 Pads with clip

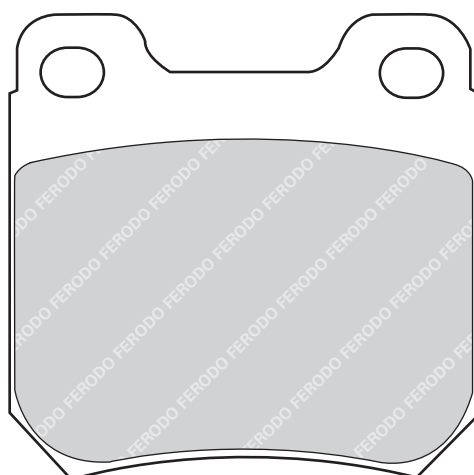
AUDI, VOLKSWAGEN



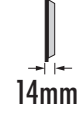
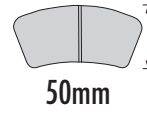
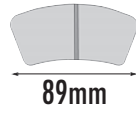
FDB973



OPEL

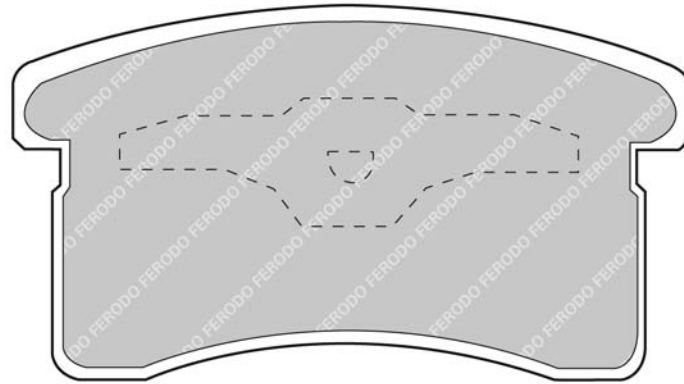
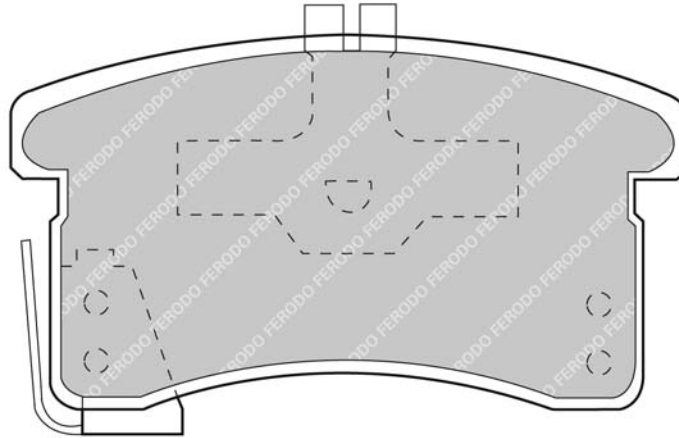


FDB974

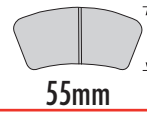
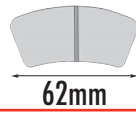


2 pads with clips & handed w/ind; 2 pads with clips

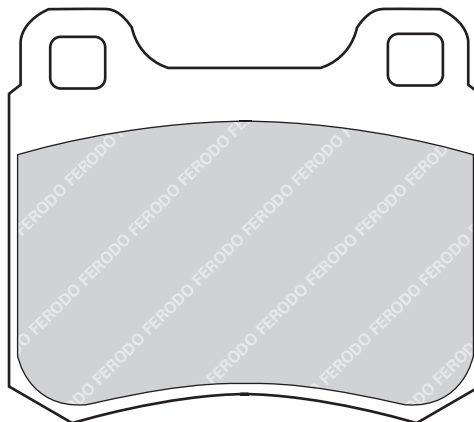
DAIHATSU



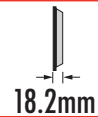
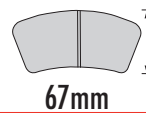
FDB979



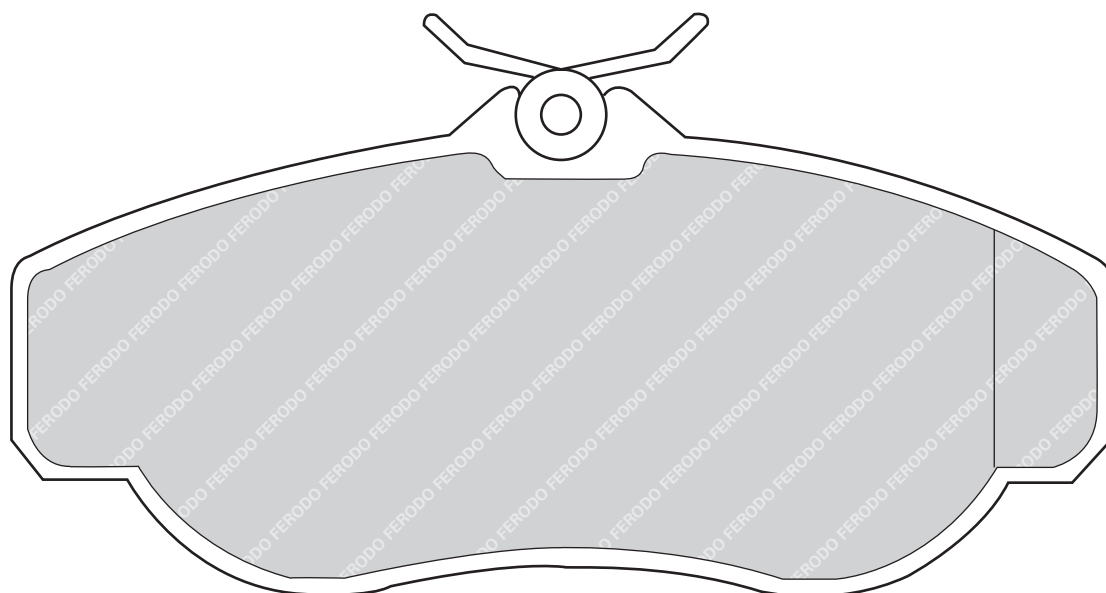
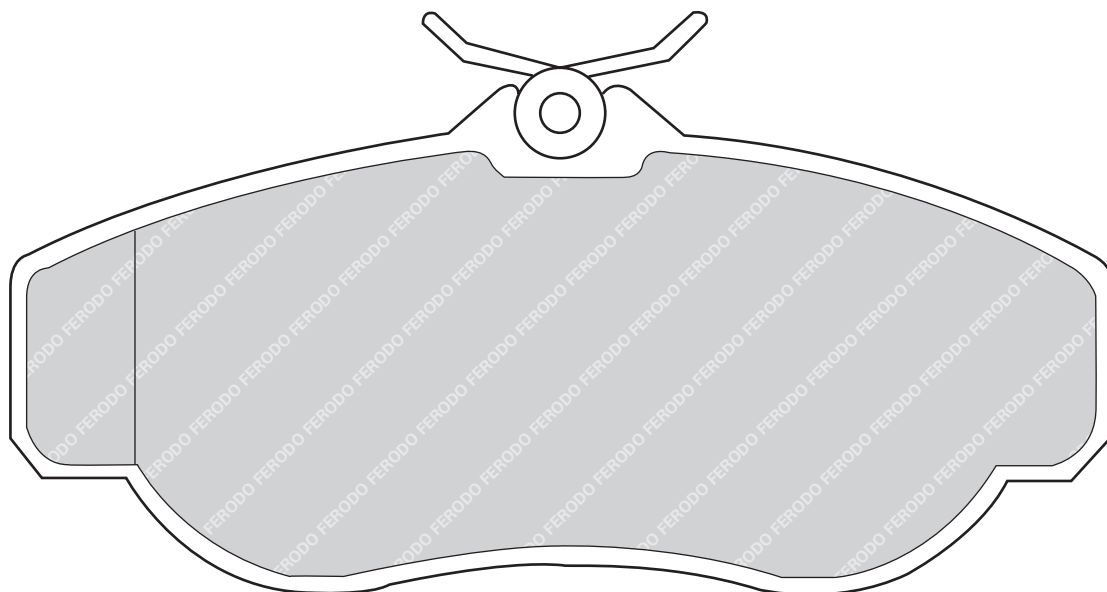
MERCEDES BENZ



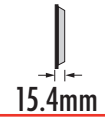
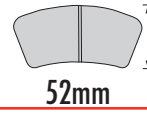
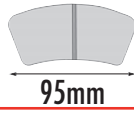
FDB980



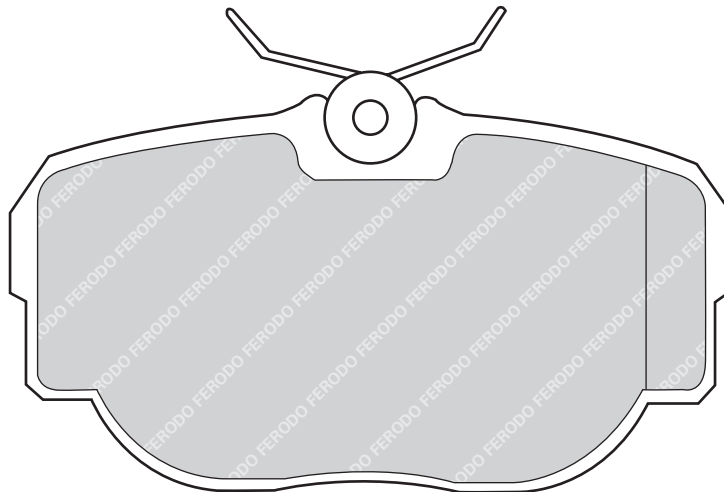
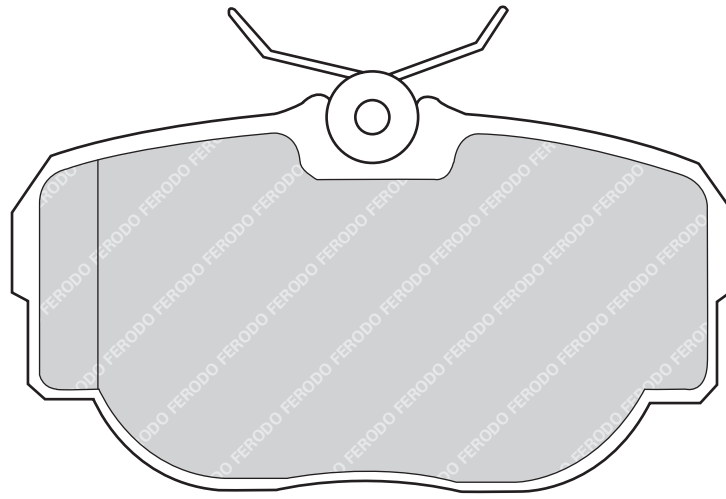
LANDROVER



FDB981



LANDROVER



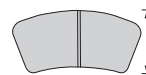
FDB985



78mm

78mm

86mm



64mm

64mm

76mm



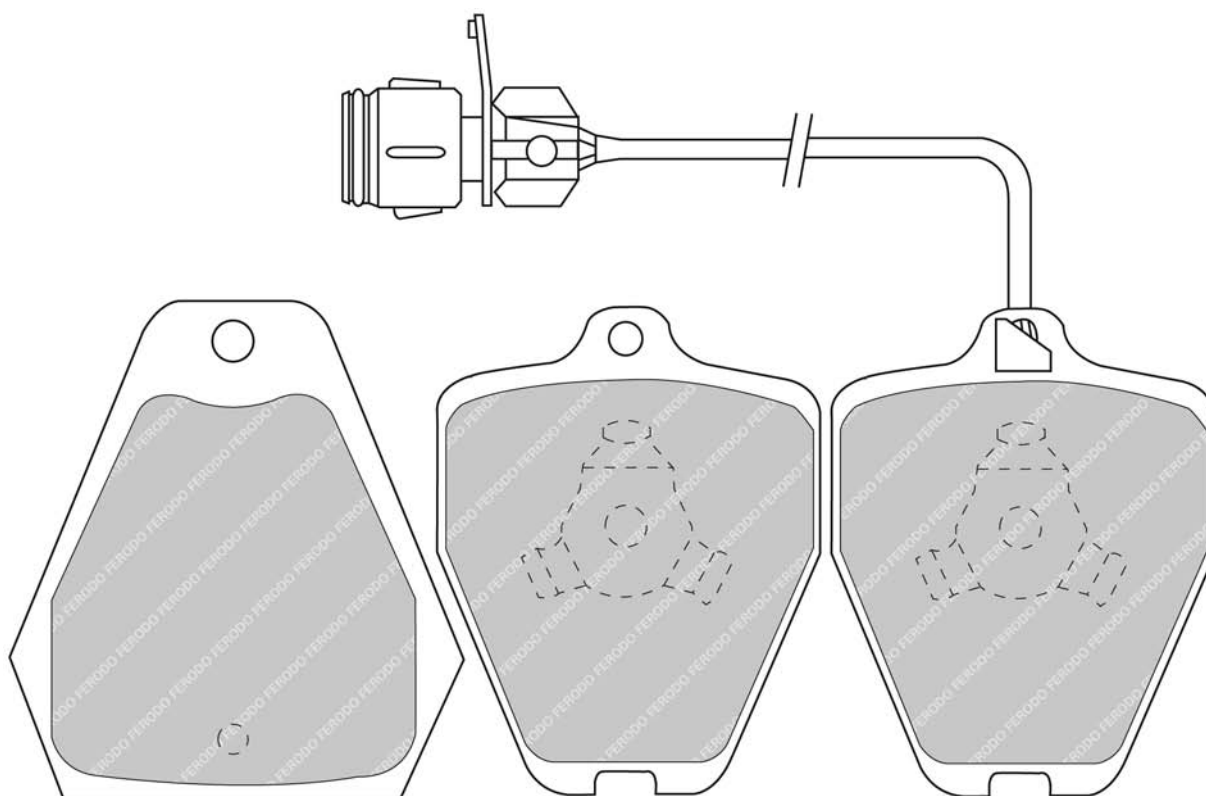
17.5mm

17.5mm

17.5mm

8 pads per set 2 x clips; 2 x w/ind; 4 x plain

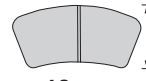
AUDI



FDB986



119mm
119mm



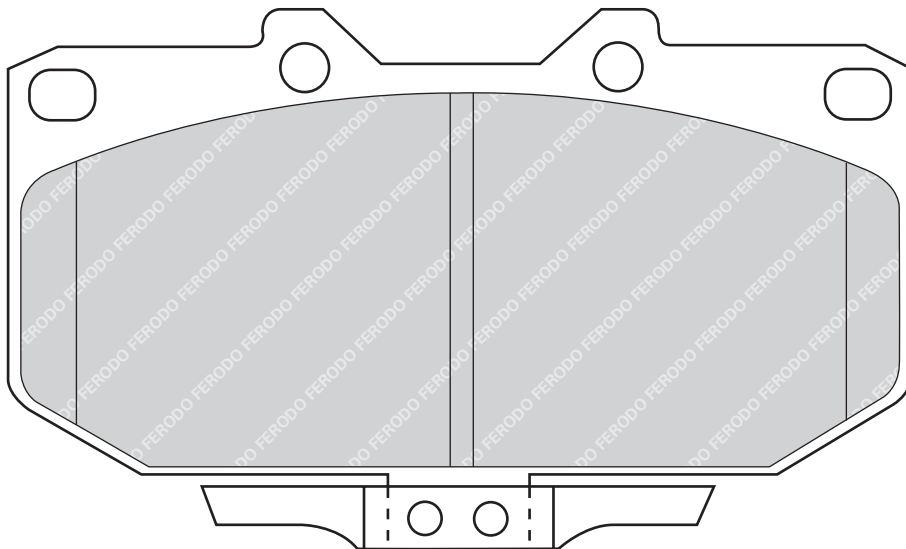
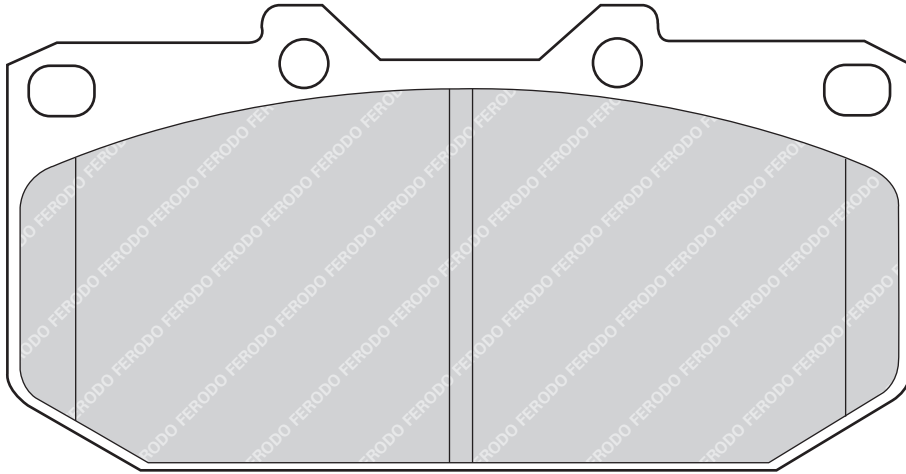
62mm
71mm



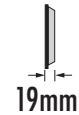
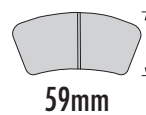
14.5mm
14.5mm

2 Wear Indicator pads per set

NISSAN, SUBARU

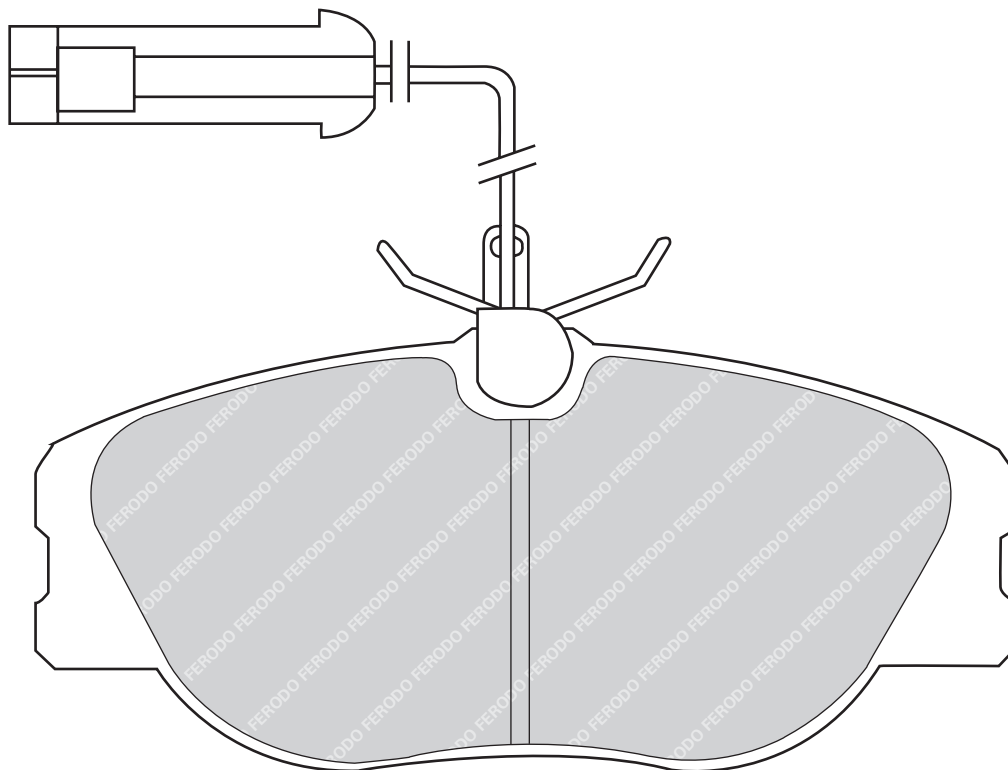


FDB994

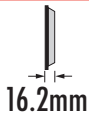
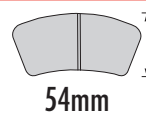
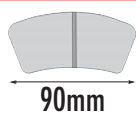


2 Wear Indicator pads per set

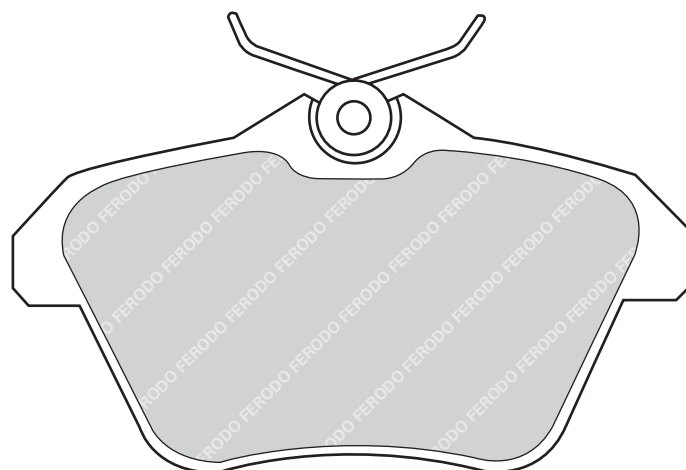
ALFA ROMEO, LANCIA



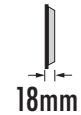
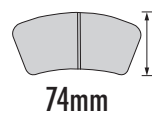
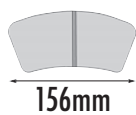
FDB995



ALFA ROMEO, LANCIA

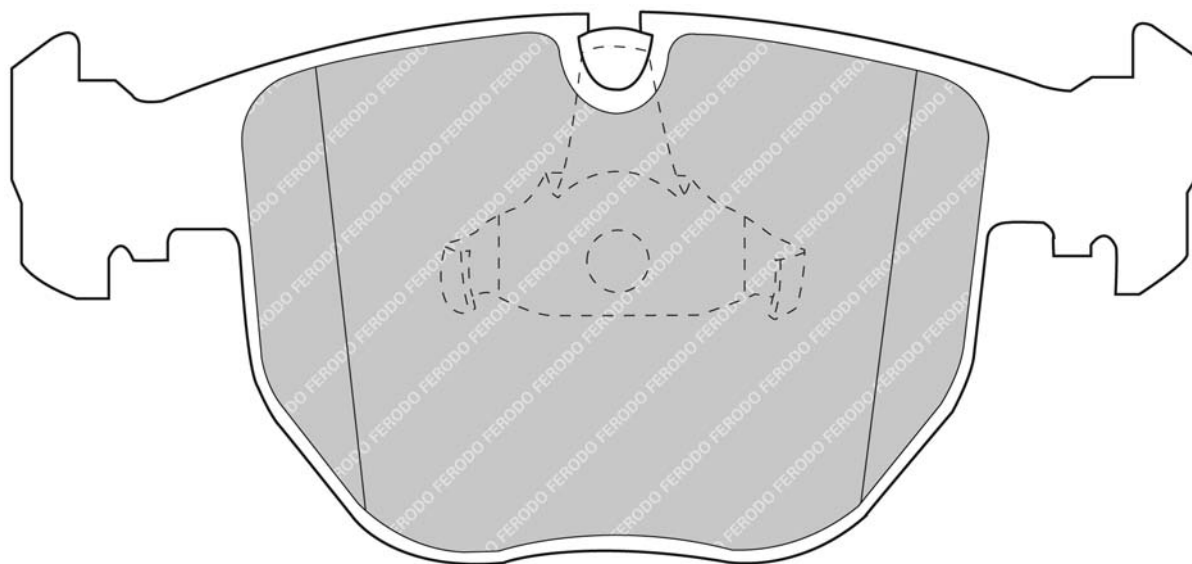


FDB997

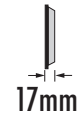
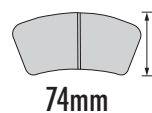
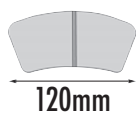


2 pads with clip

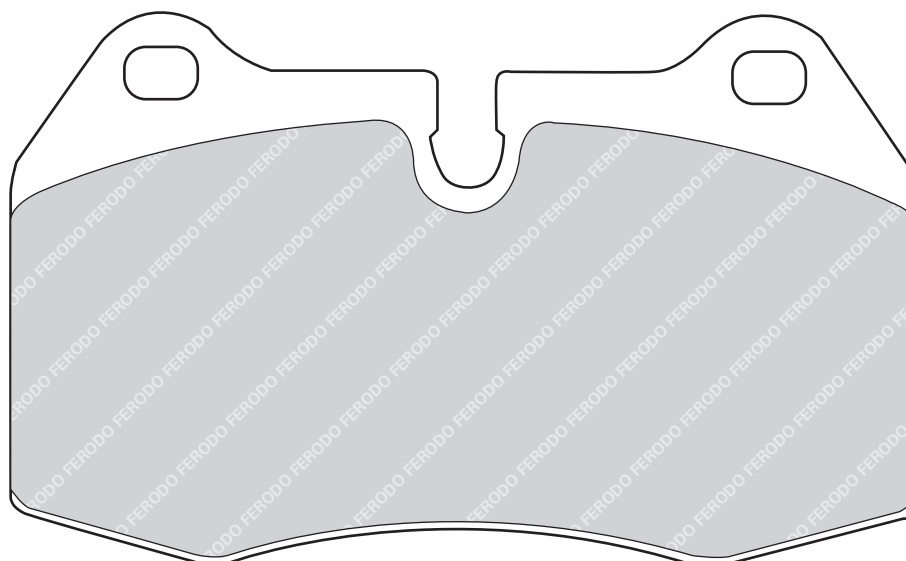
BMW



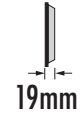
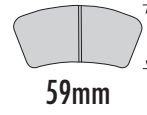
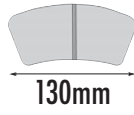
FDB998



BMW

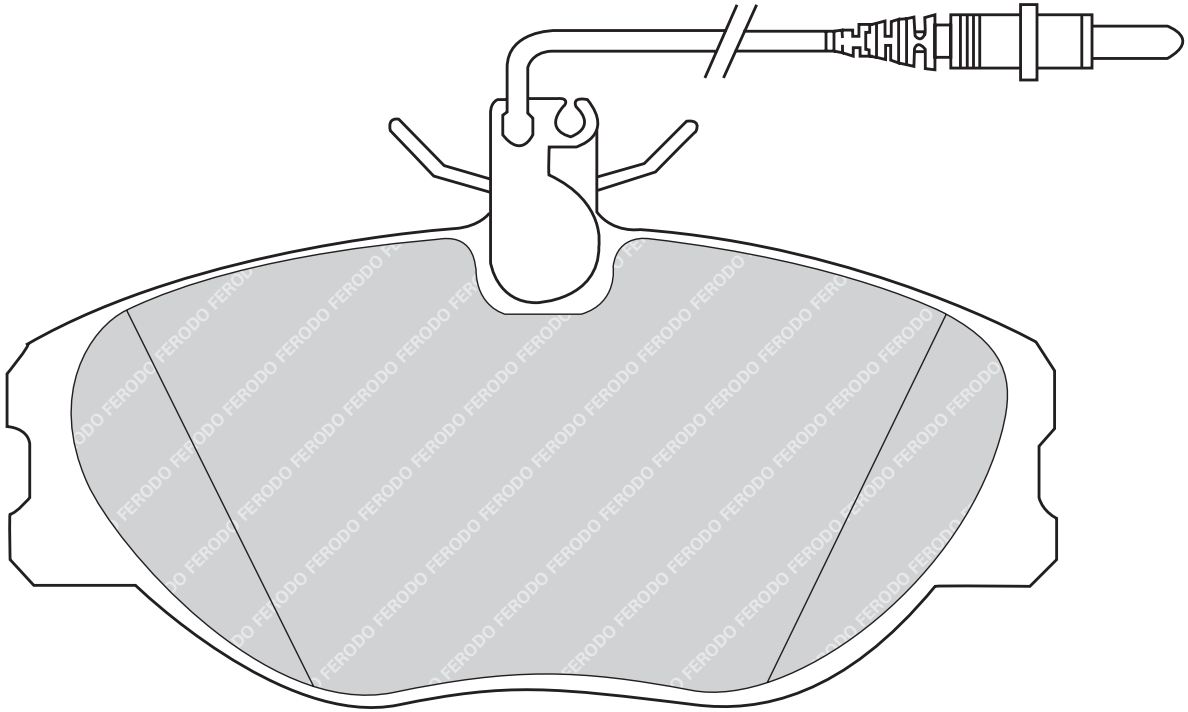


FDB 1000

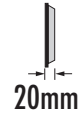
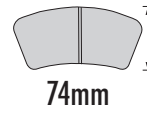
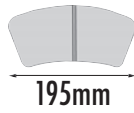


4 Wear Indicator pads per set
2 X 195mm; 2 x 245mm

PEUGEOT

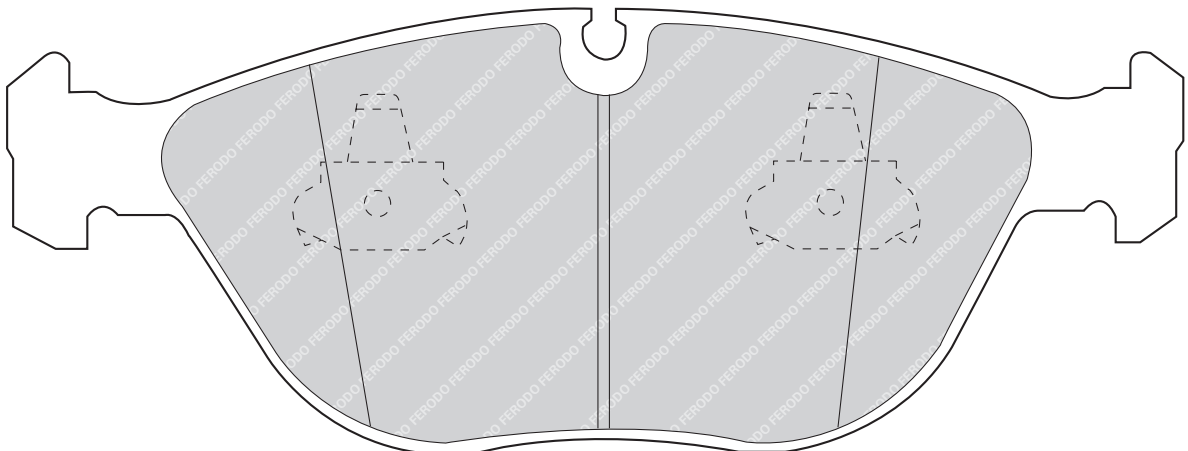


FDB 1001

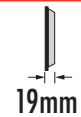
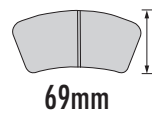
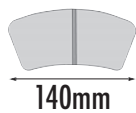


2 pads with 2 clips

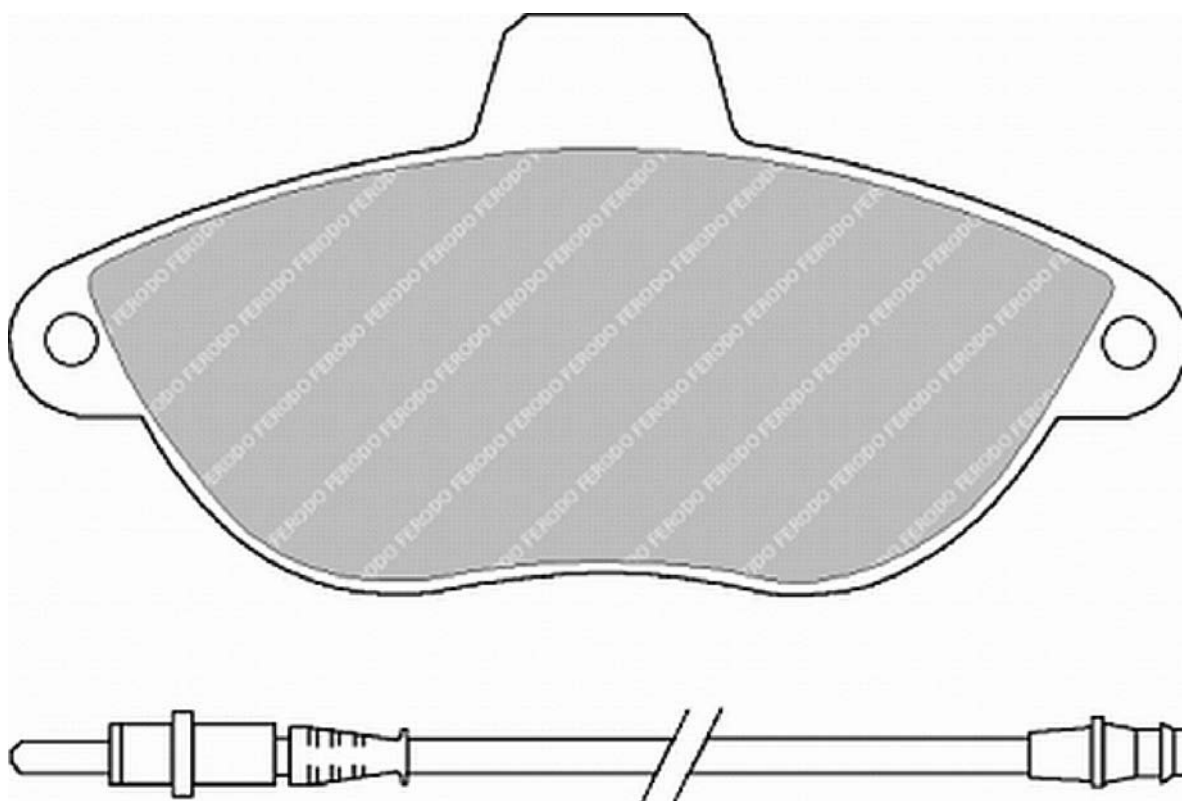
BMW



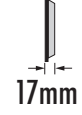
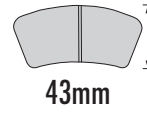
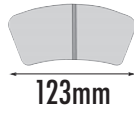
FDB 1002



FIAT

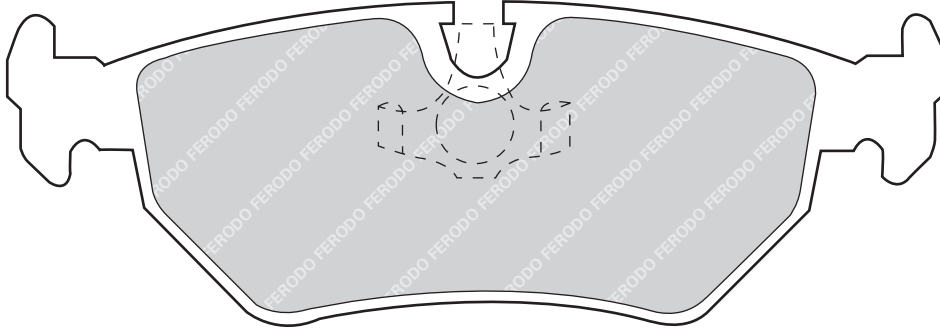


FDB 1003

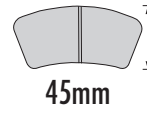
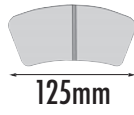


2 Wear Indicator pads per set (Supplied Loose);
2 pads with clip; 2 without

FIAT, PEUGEOT

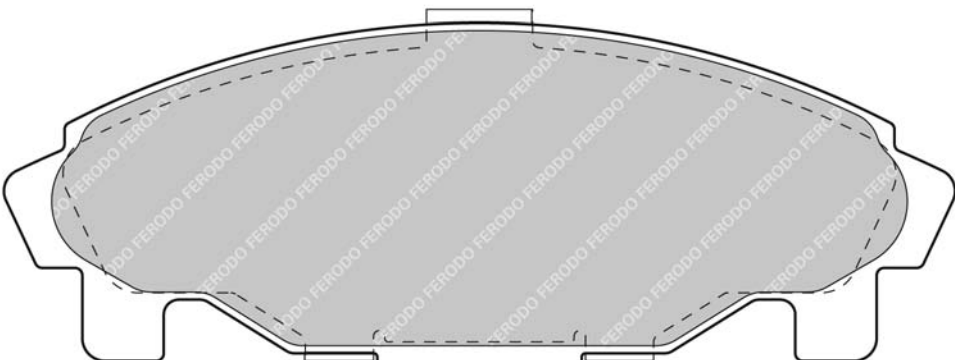
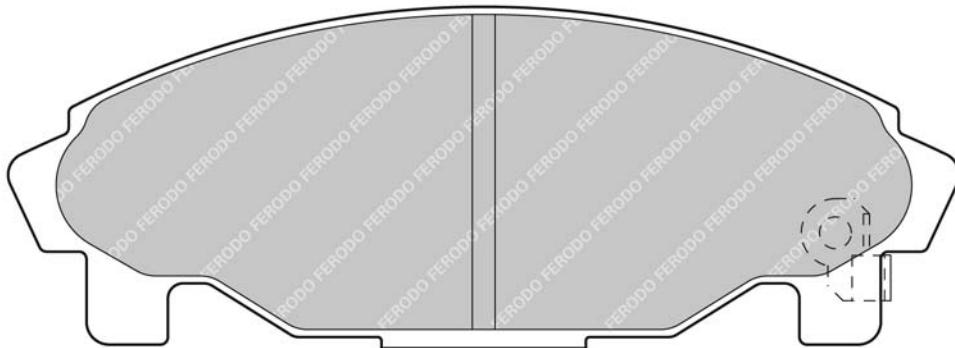


FDB 1009

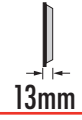
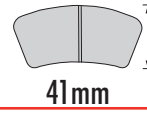
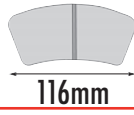


2 Wear Indicator pads per set - Handed

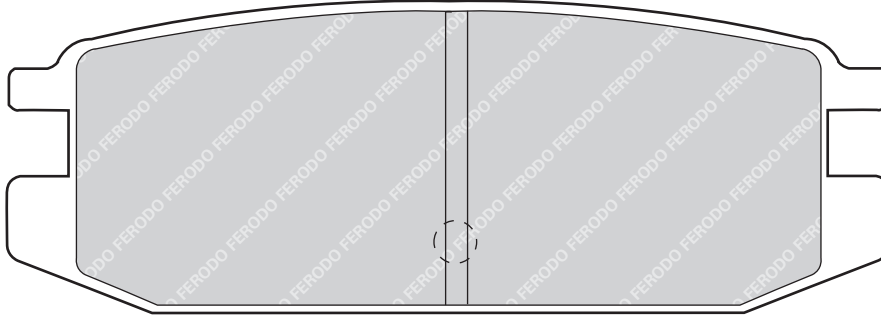
DAIHATSU



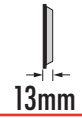
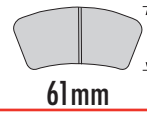
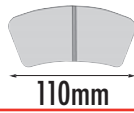
FDB1010



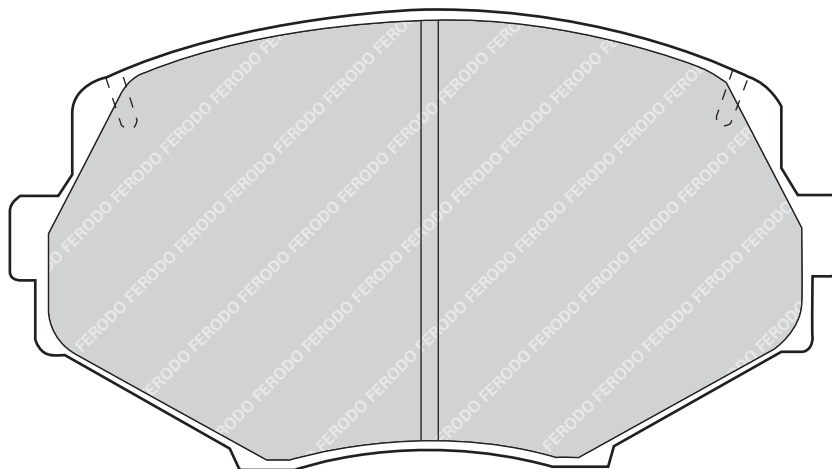
mitsubishi



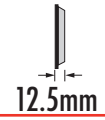
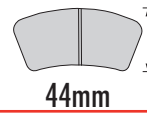
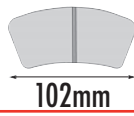
FDB1011



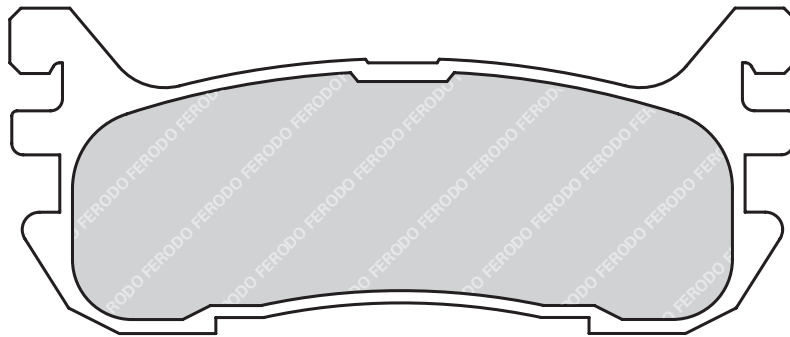
MAZDA



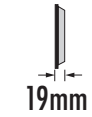
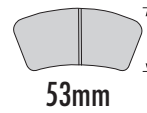
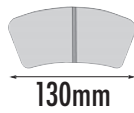
FDB1012



MAZDA

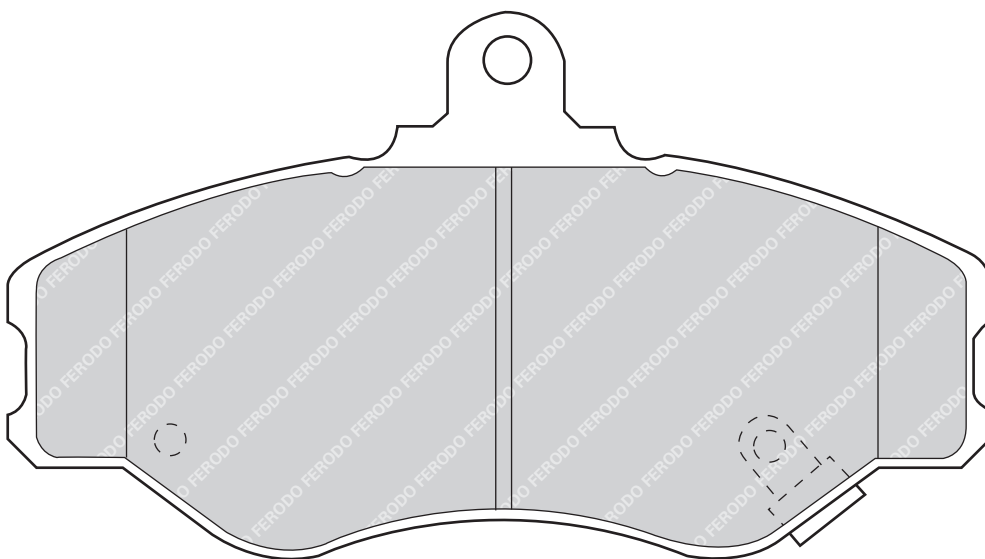


FDB1014

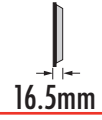
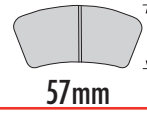
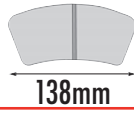


2 Wear Indicator pads per set

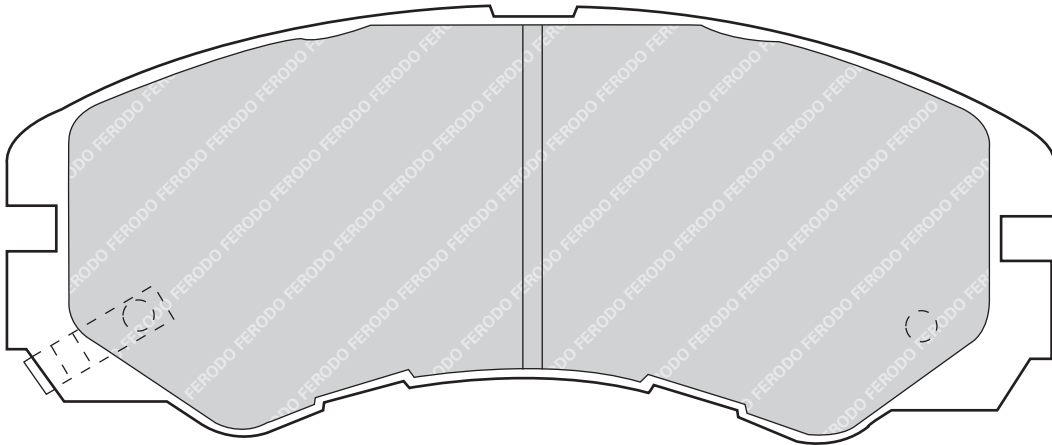
HYUNDAI COMM.



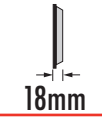
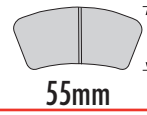
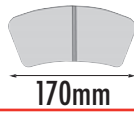
FDB1015



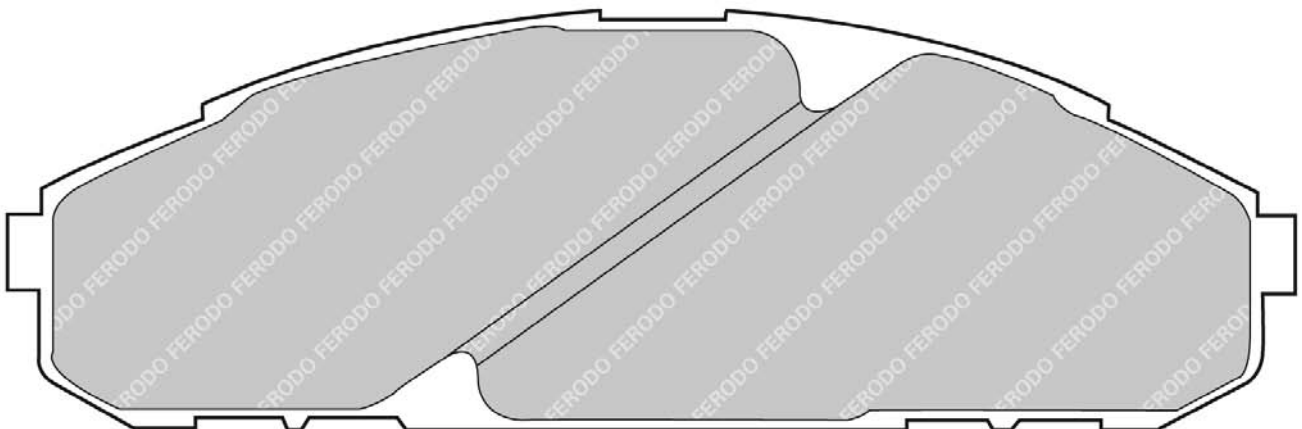
ISUZU



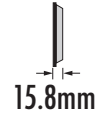
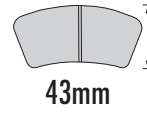
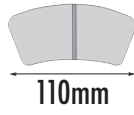
FDB1016



NISSAN

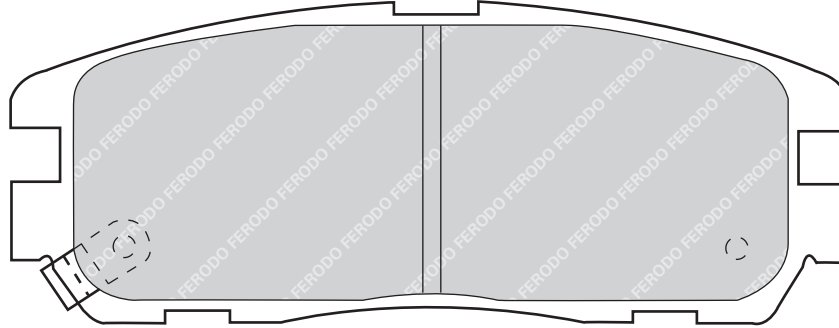


FDB 1017

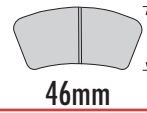
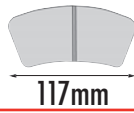


2 Wear Indicator pads per set

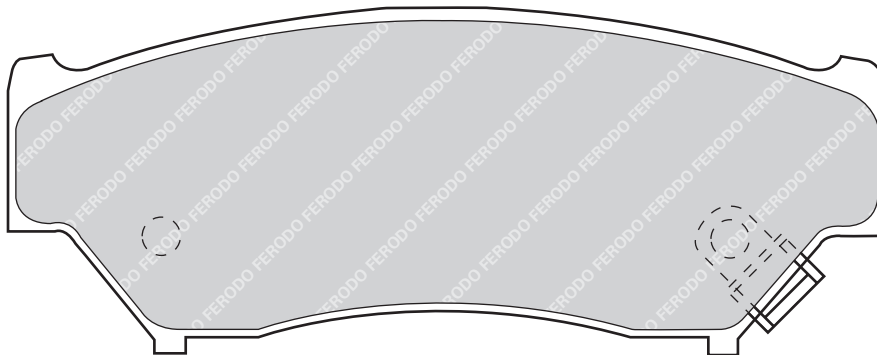
ISUZU



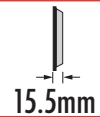
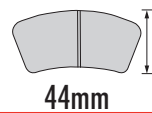
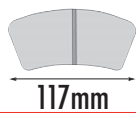
FDB 1020



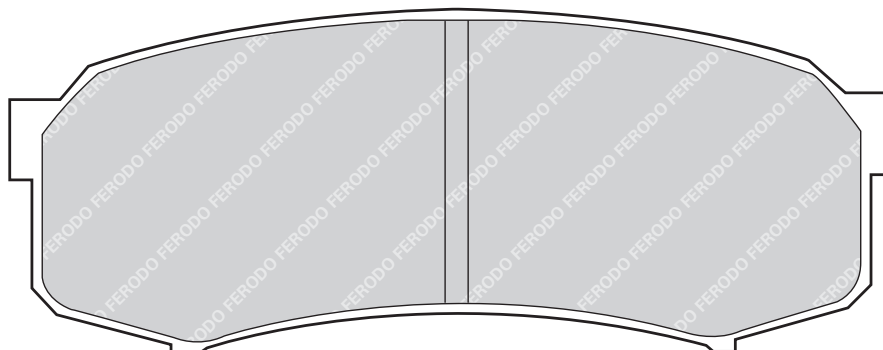
SUZUKI



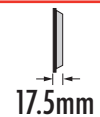
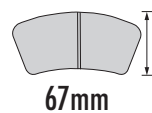
FDB1021



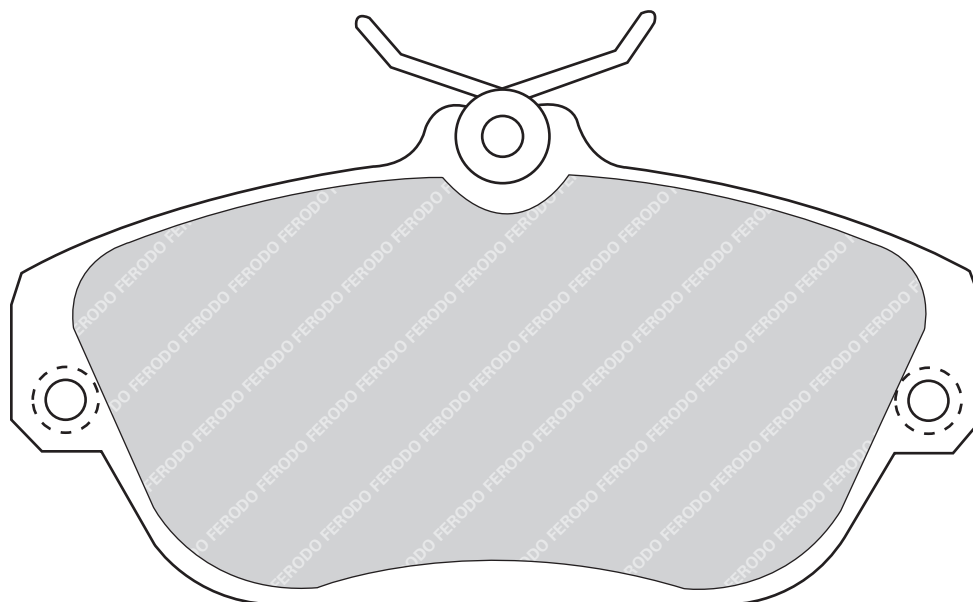
TOYOTA



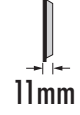
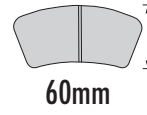
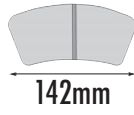
FDB1024



VOLVO

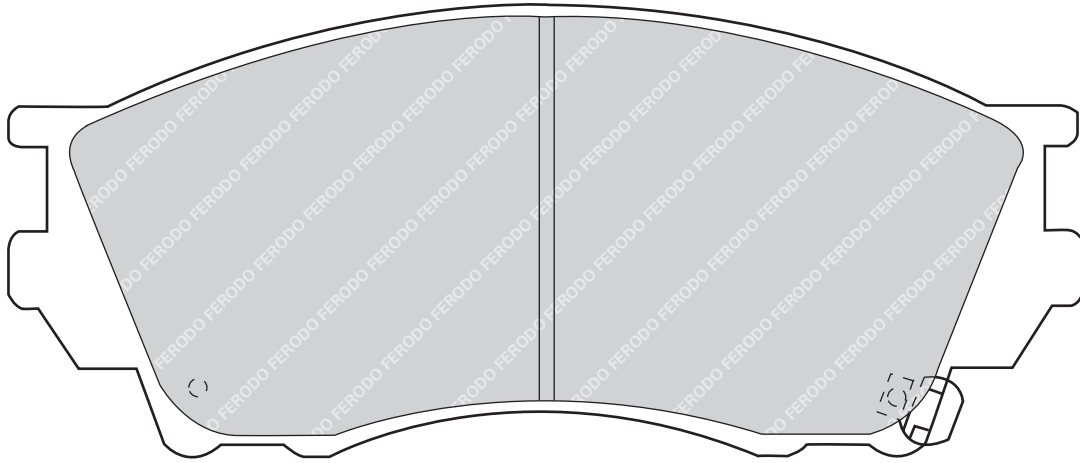


FDB 1025

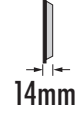
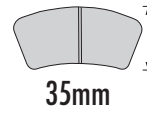
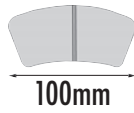


2 Wear Indicator pads per set

FORD, MAZDA

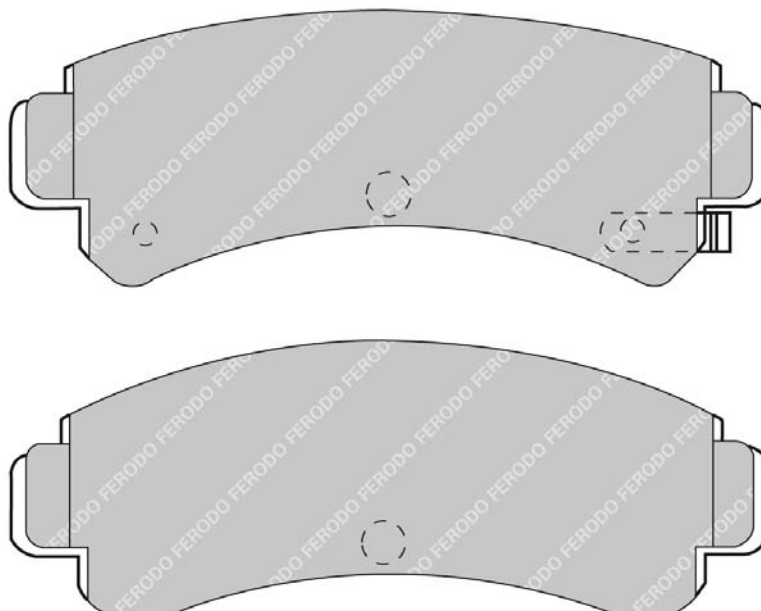


FDB 1026

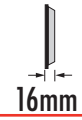
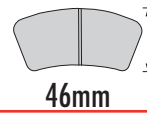
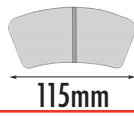


2 Wear Indicator pads per set

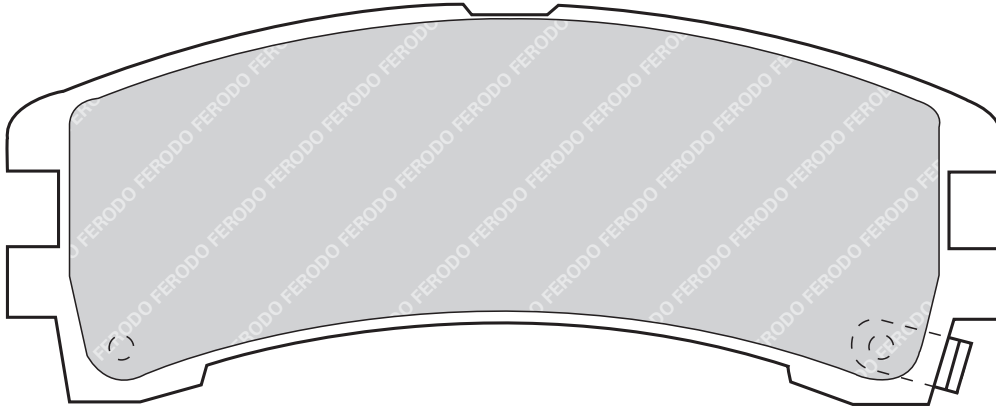
NISSAN



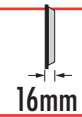
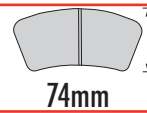
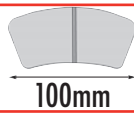
FDB 1029



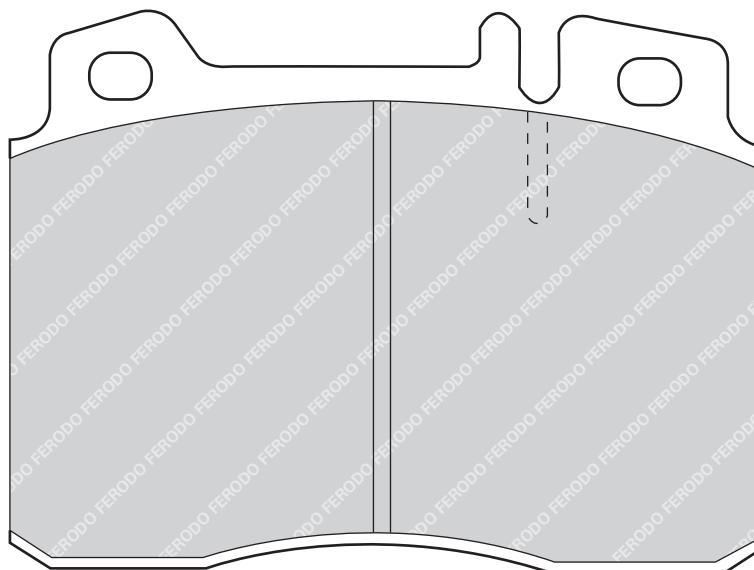
NISSAN



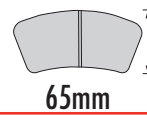
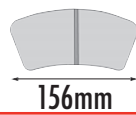
FDB 1037



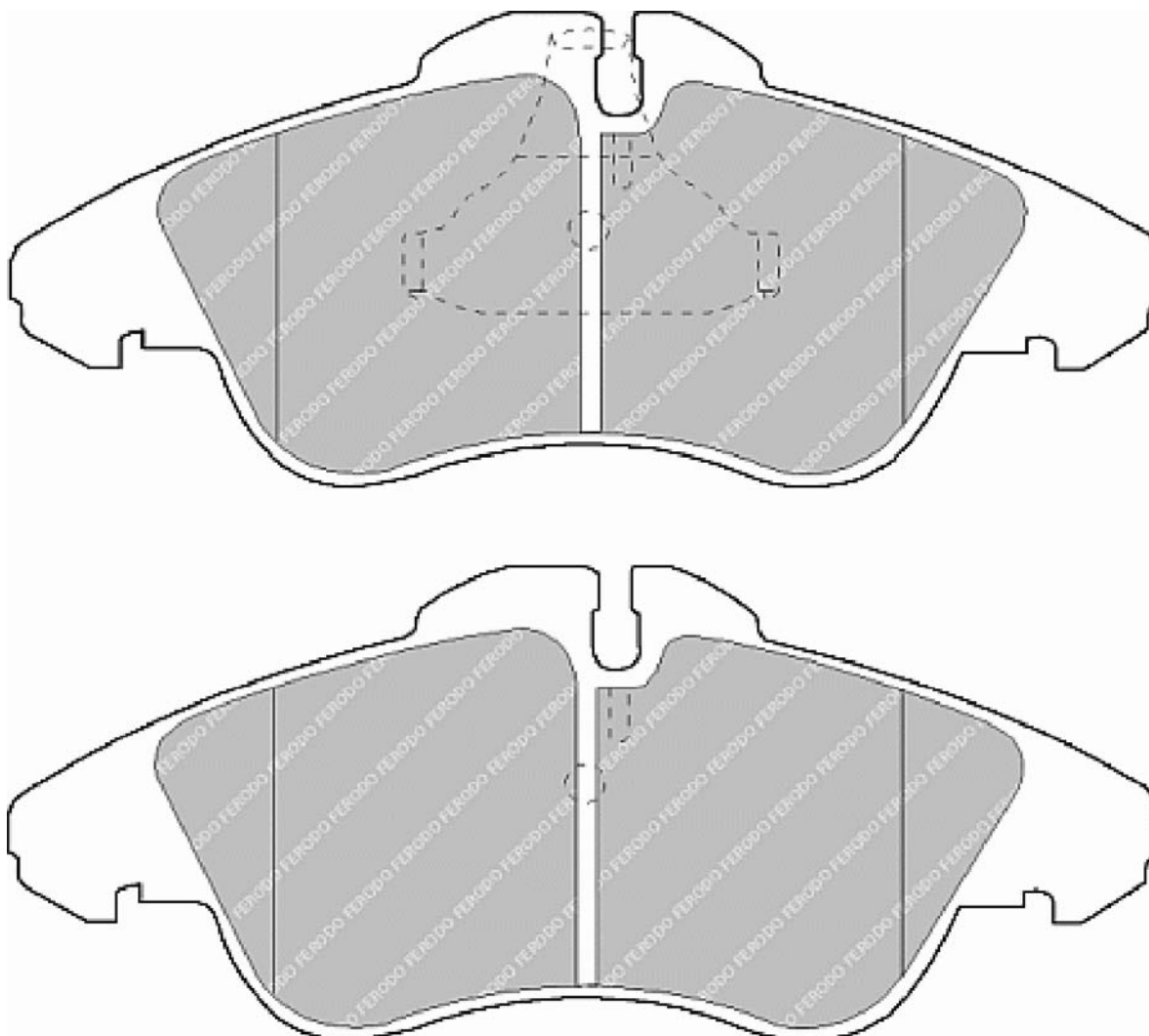
MERCEDES BENZ



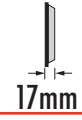
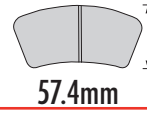
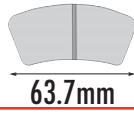
FDB 1038



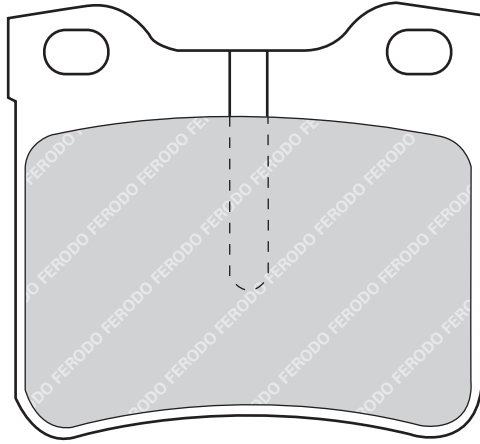
VITO



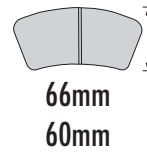
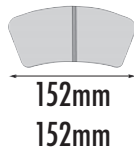
FDB 1044



MERCEDES BENZ

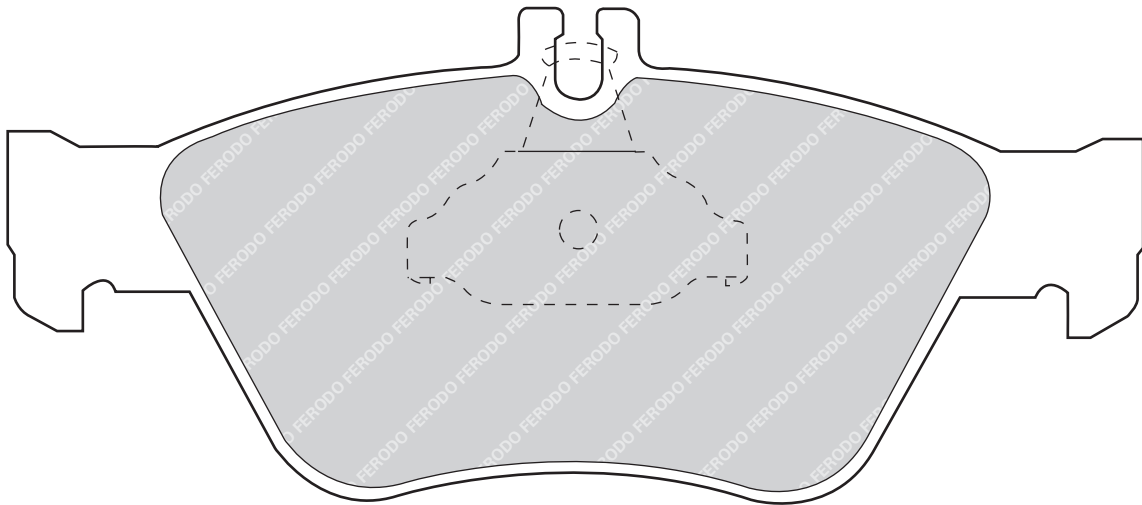


FDB 1049



2 pads with clip

MERCEDES BENZ



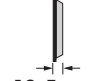
FDB 1050



157mm
157mm

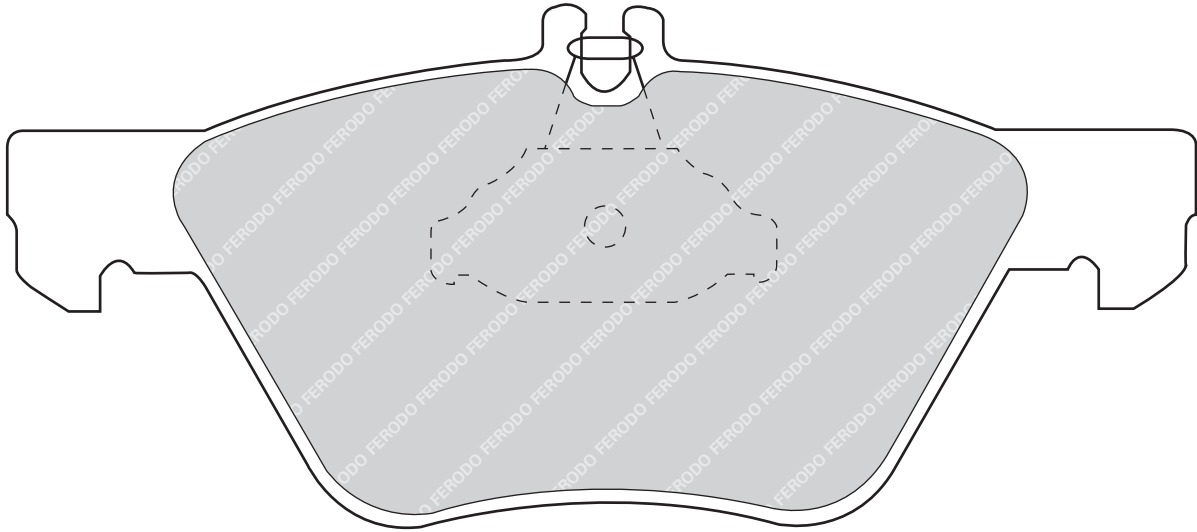


70mm
64mm
2 pads with clip



19.5mm
19.5mm

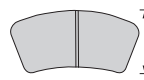
MERCEDES BENZ



FDB1052



156mm
156mm



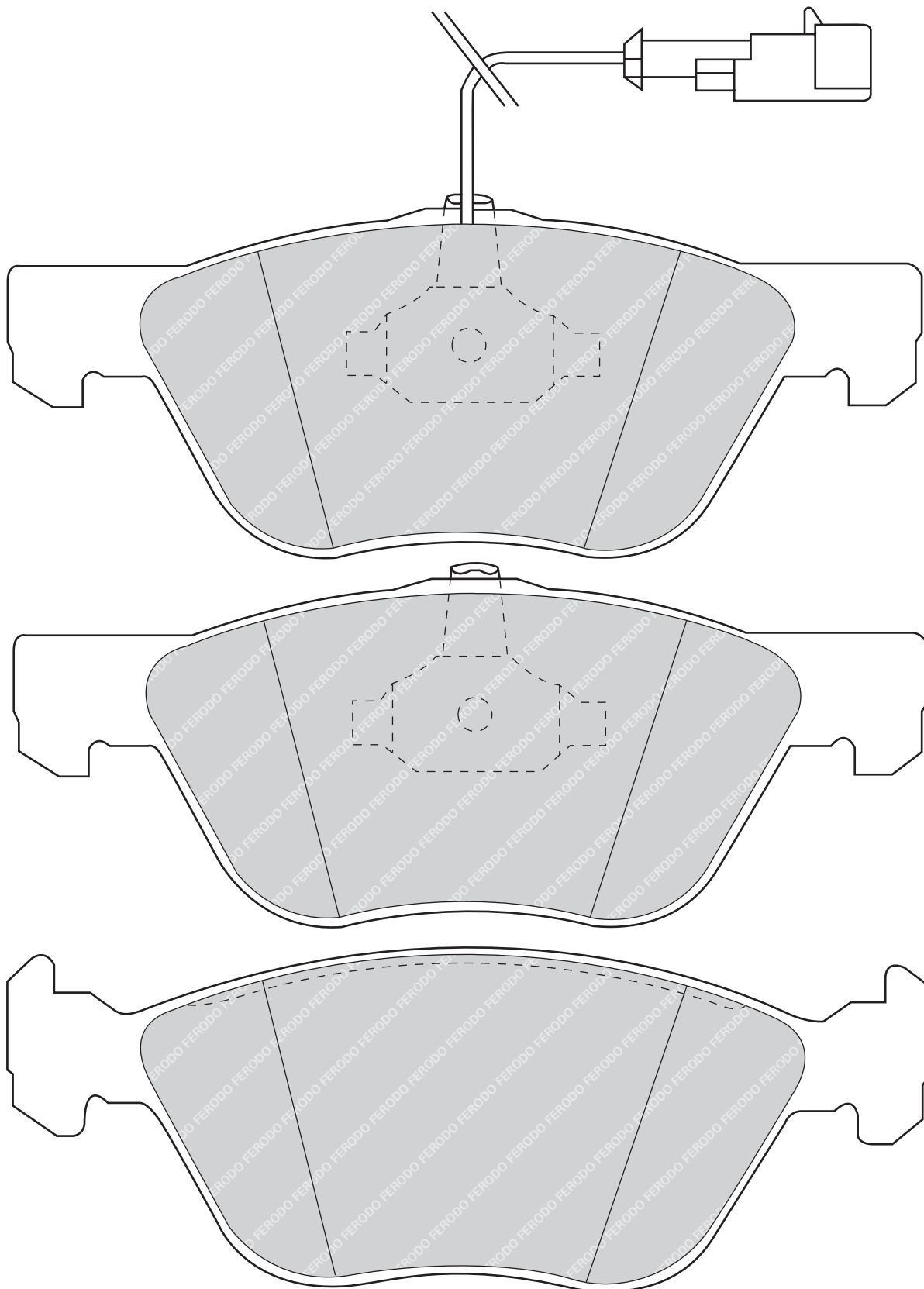
63mm
58mm



18mm
18mm

2 pads plain, 1 pad with clip,
1 pad with clip & Wear Indicator

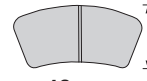
ALFA ROMEO, FIAT



FDB1054



142mm
142mm

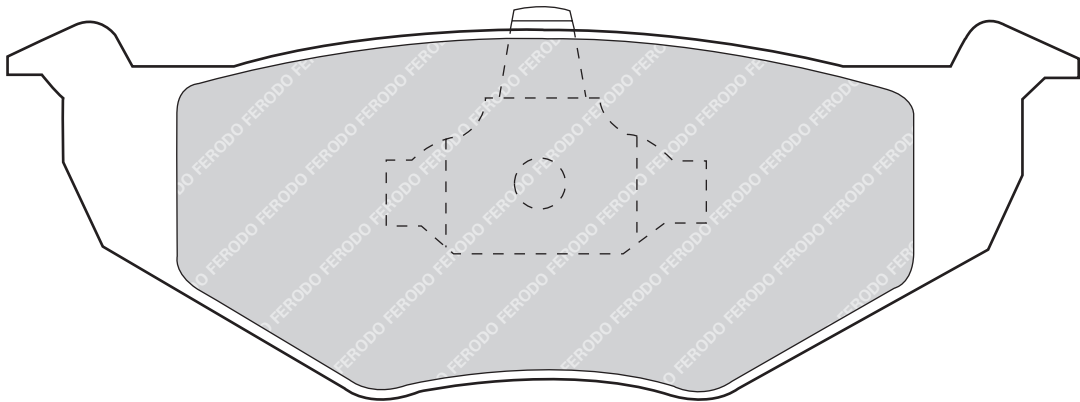
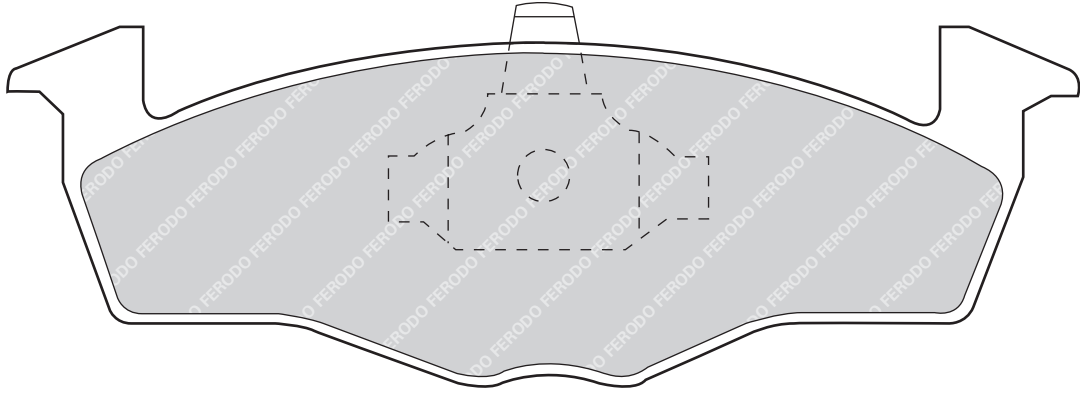


48mm
51mm



19.5mm
19.5mm

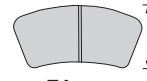
VOLKSWAGEN



FDB 1055



156mm
156mm

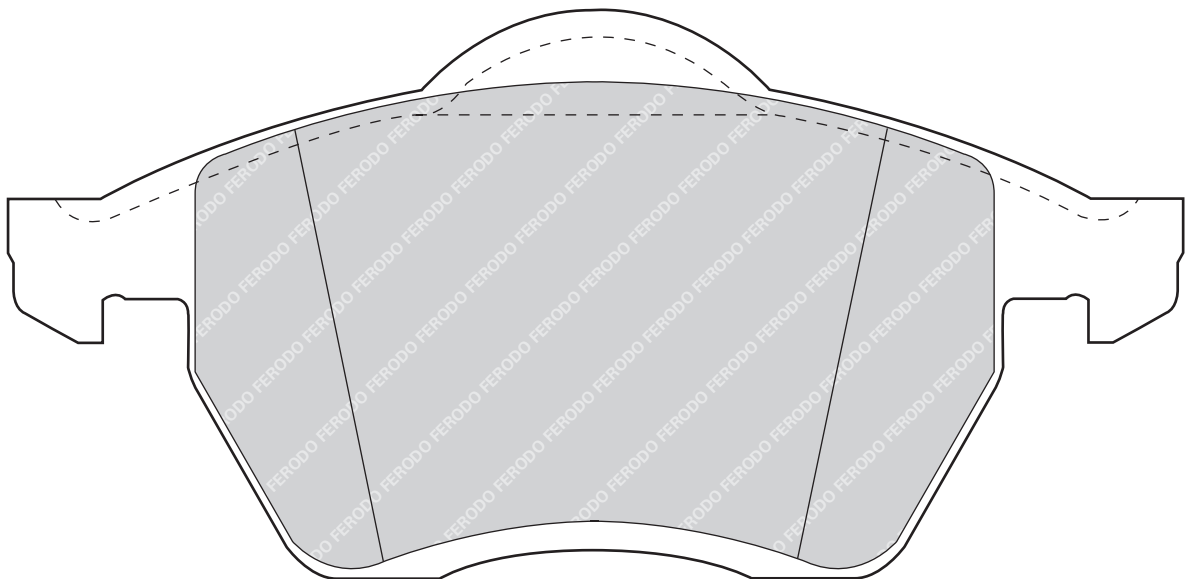
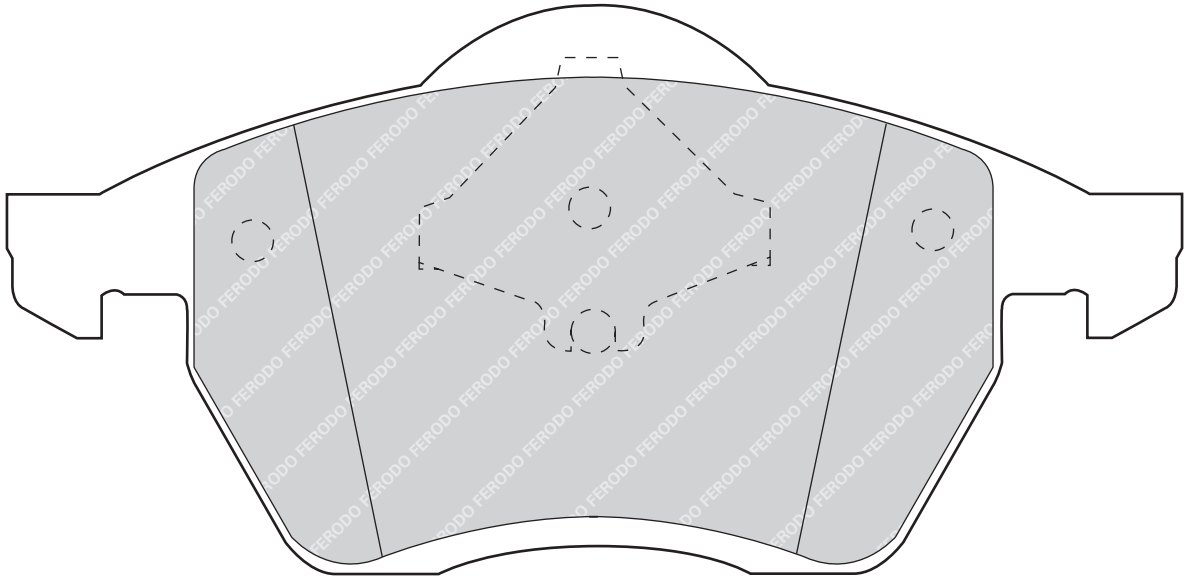


74mm
74mm
2 pads with clip

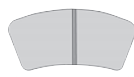


20.6mm
19.7mm

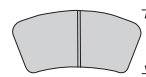
VOLKSWAGEN



FDB1063



130mm



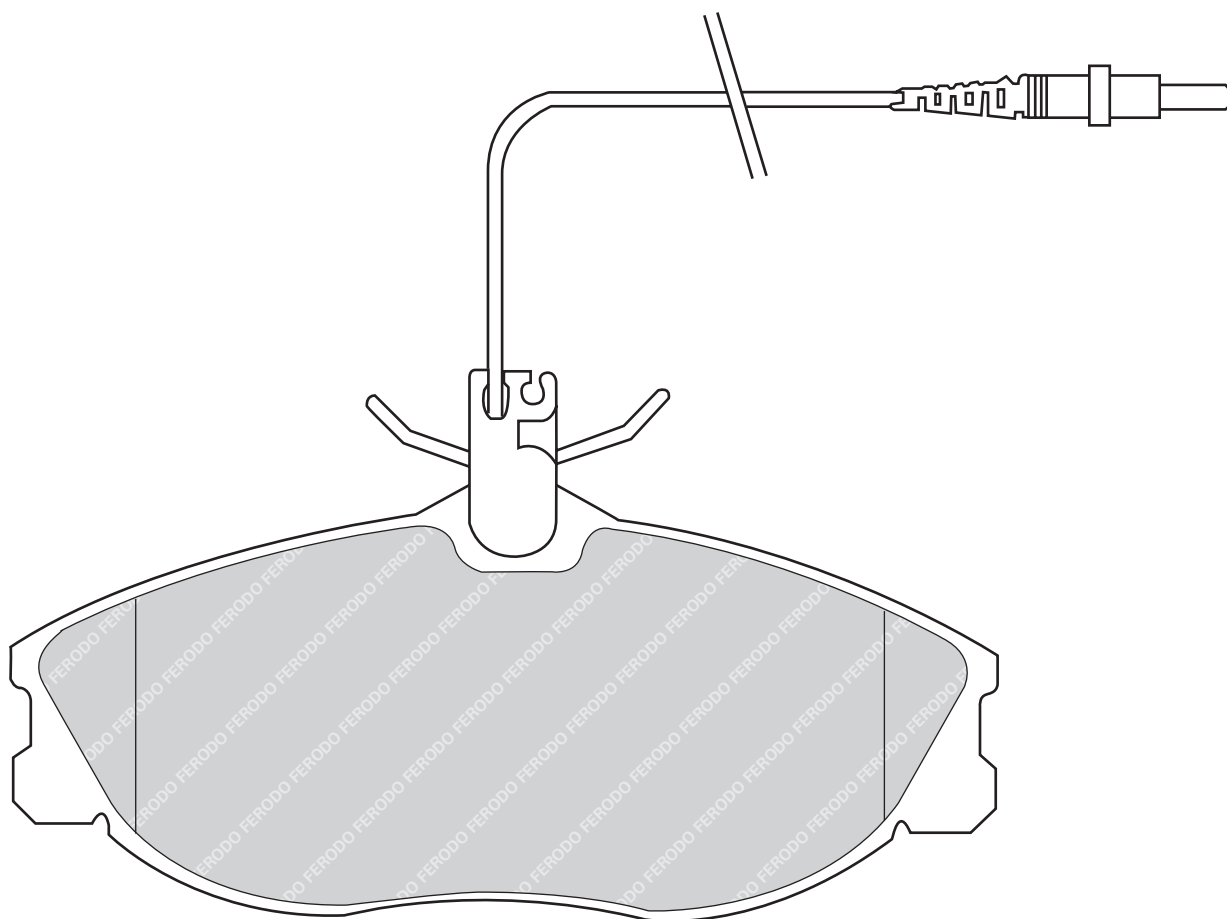
57mm



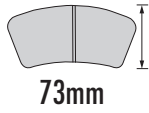
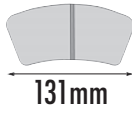
18mm

4 Wear Indicator pads per set, 2 X 310mm; 2 x 280mm

PEUGEOT

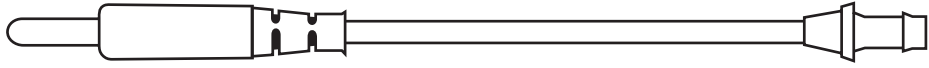
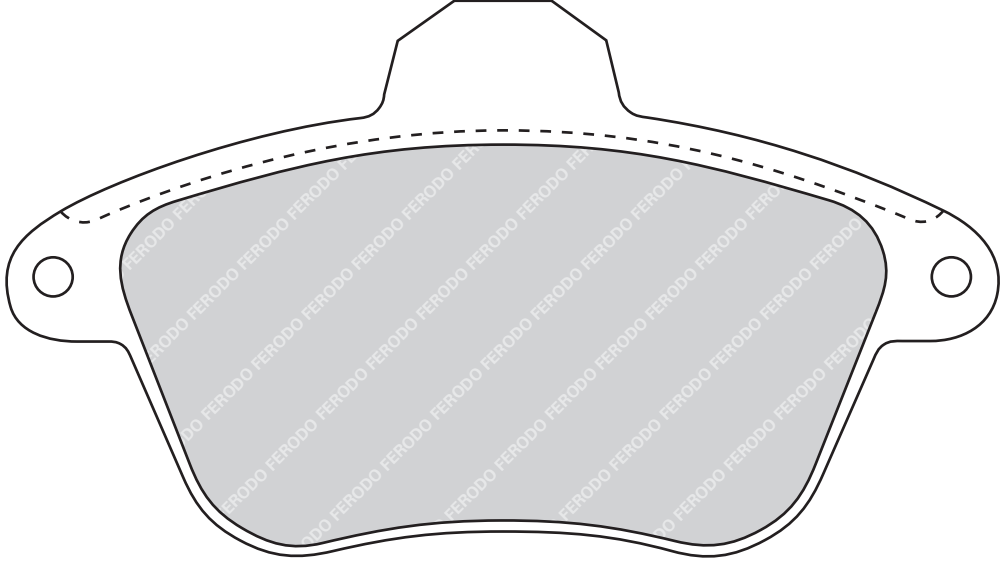
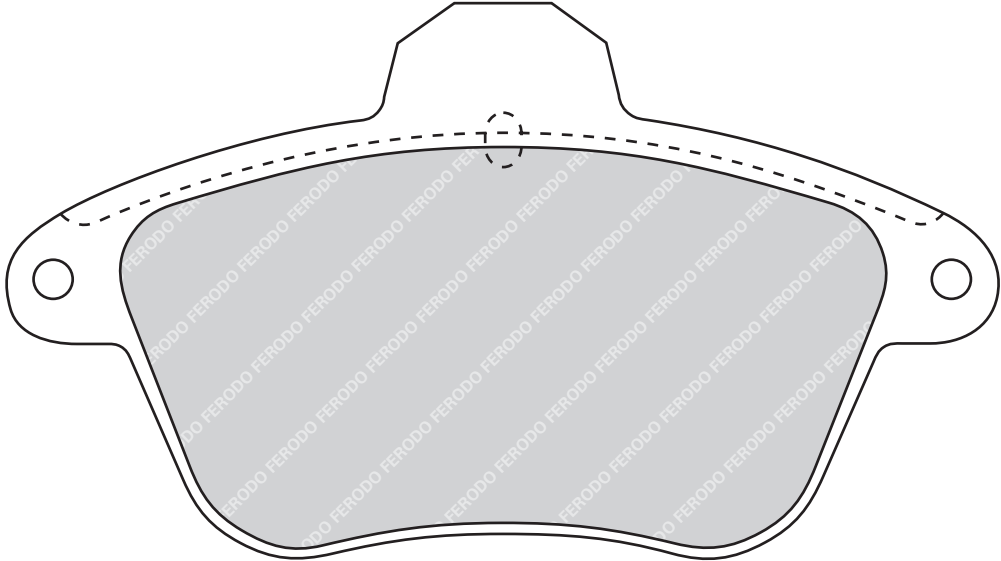


FDB 1071

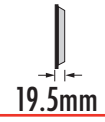
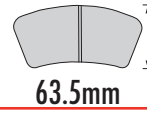
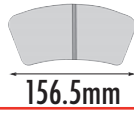


2 Wear Indicator pads per set (Supplied Loose)

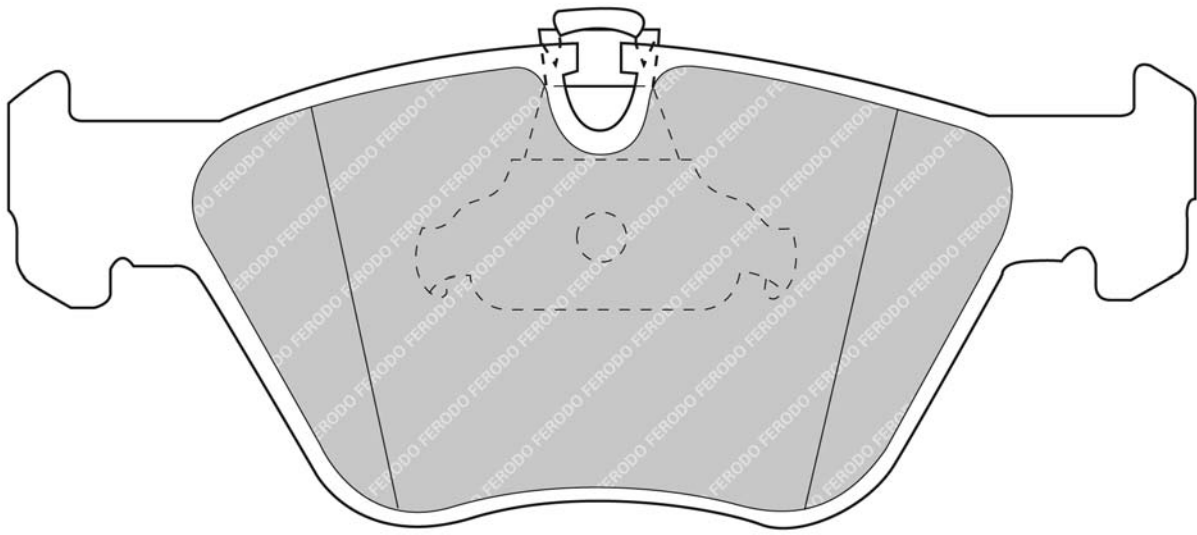
RENAULT



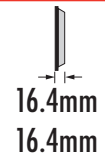
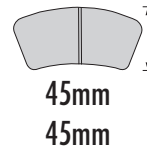
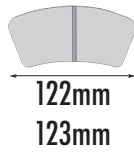
FDB 1073



BMW

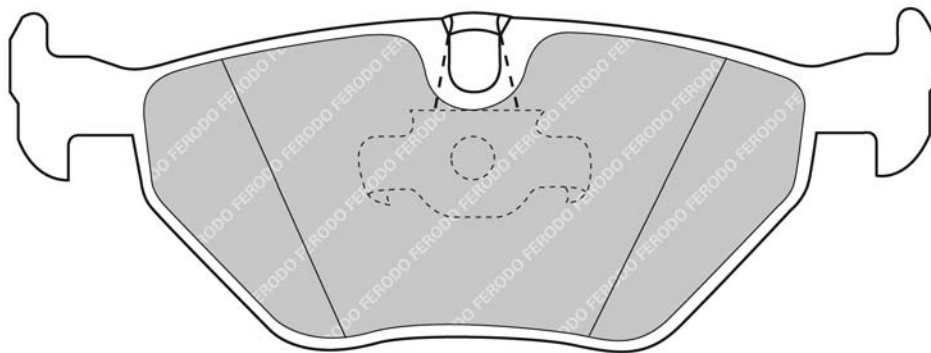


FDB 1075

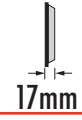
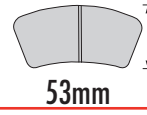
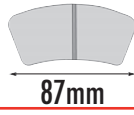


2 pads with clip

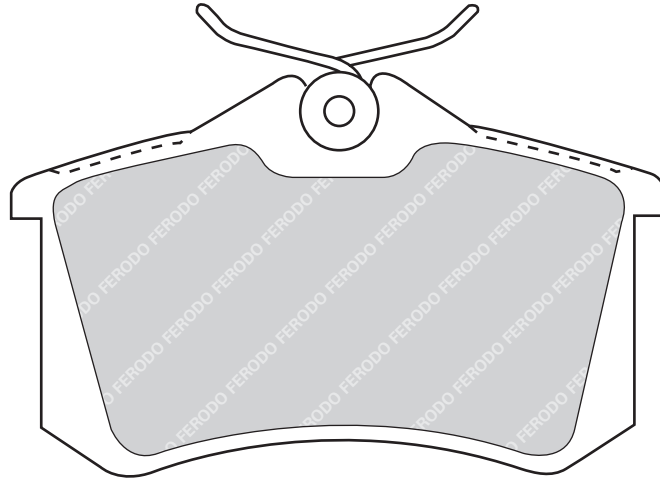
BMW



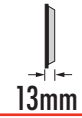
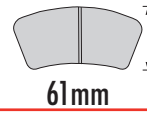
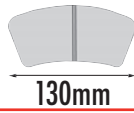
FDB 1083



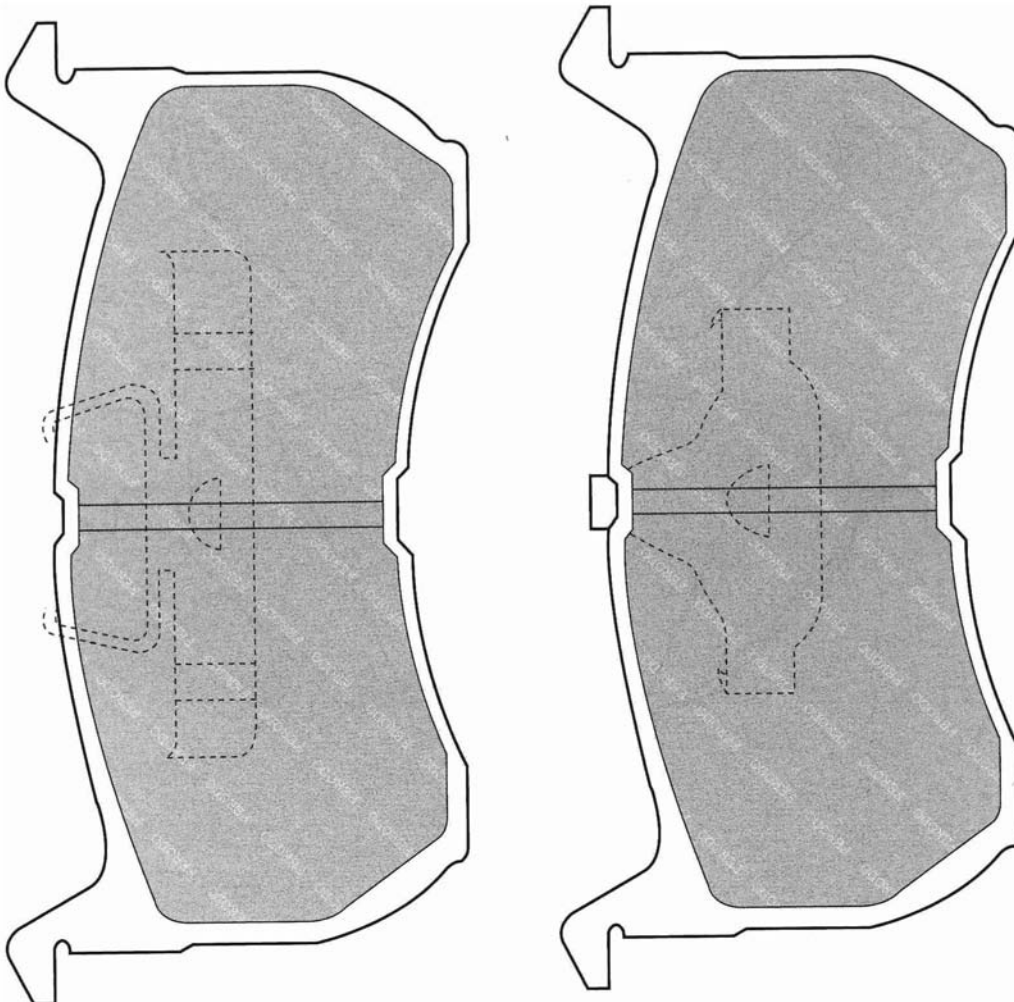
AUDI, VOLKSWAGEN



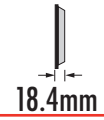
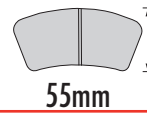
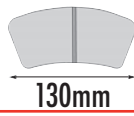
FDB 1084



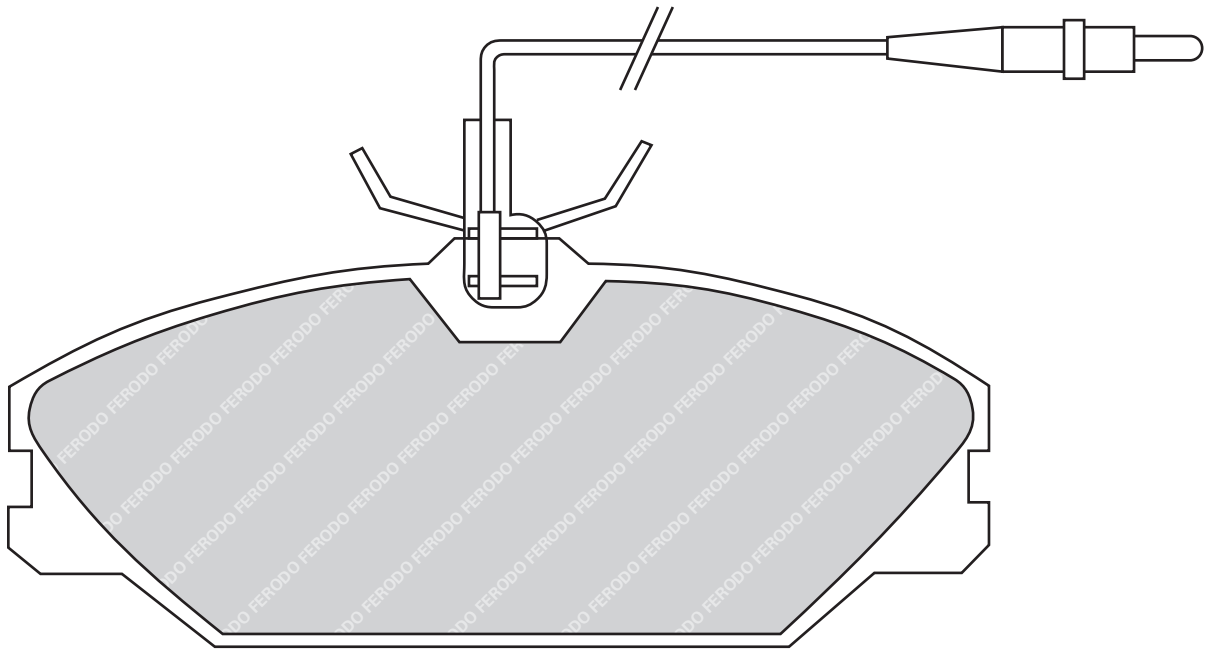
FORD



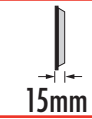
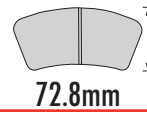
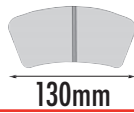
FDB 1085



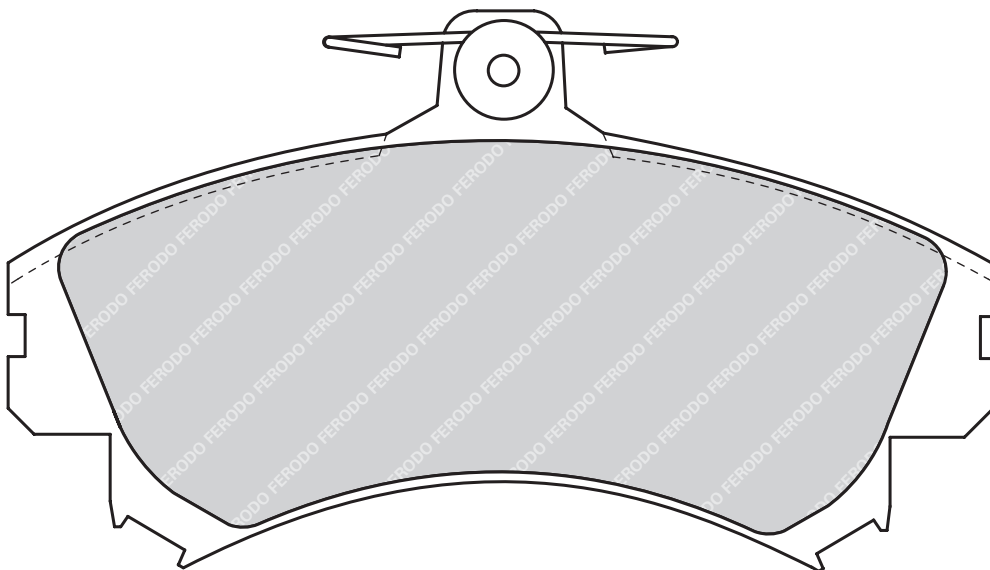
RENAULT



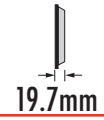
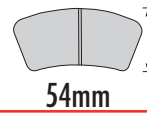
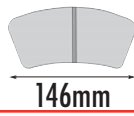
FDB 1093



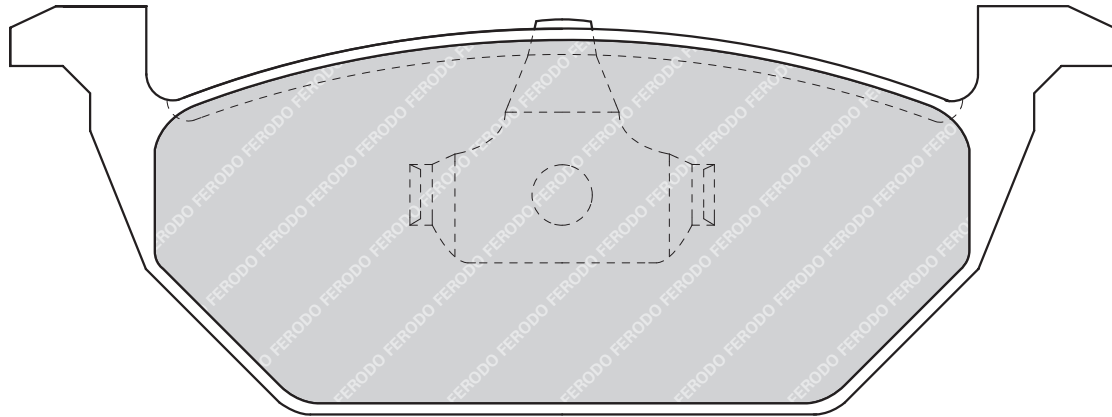
VOLVO



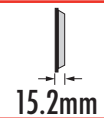
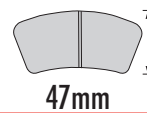
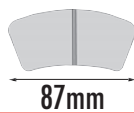
FDB 1094



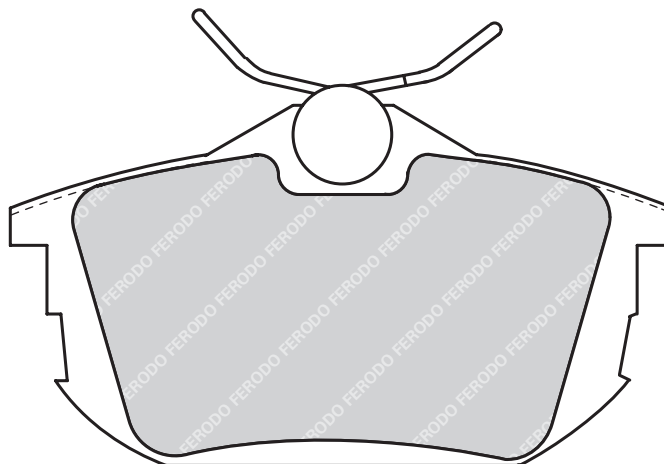
AUDI, VOLKSWAGEN



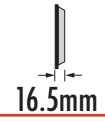
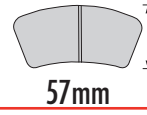
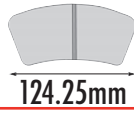
FDB 1095



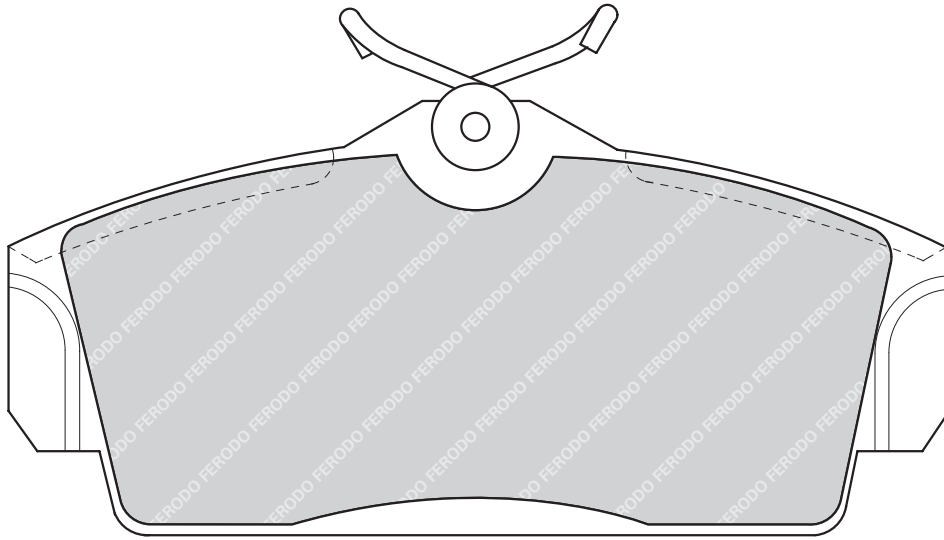
SMART, VOLVO



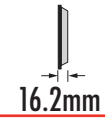
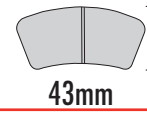
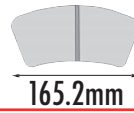
FDB 1096



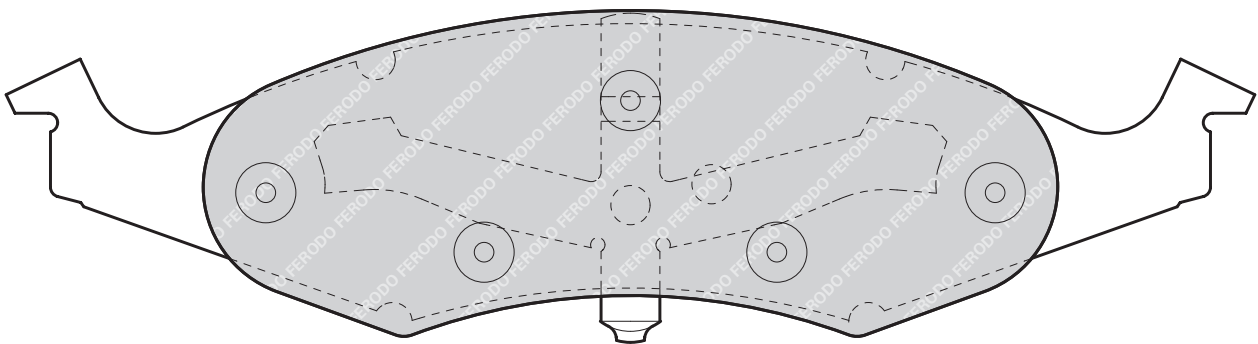
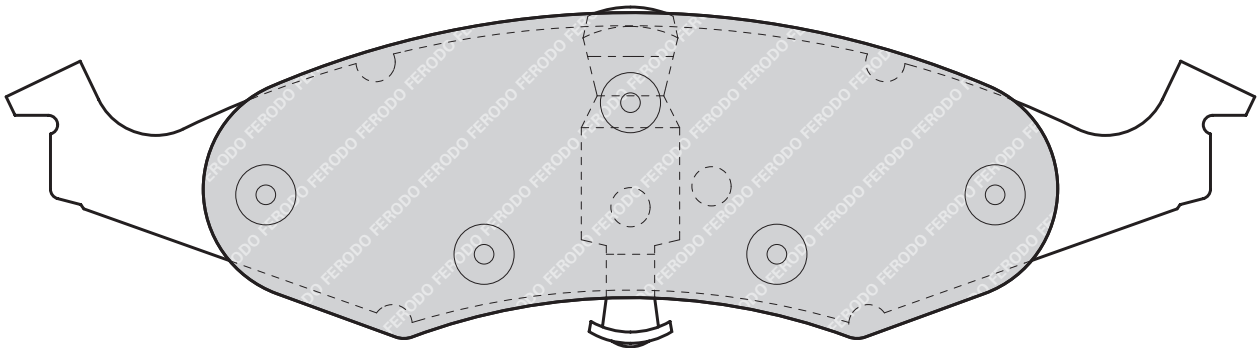
NISSAN



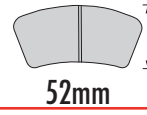
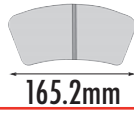
FDB 1097



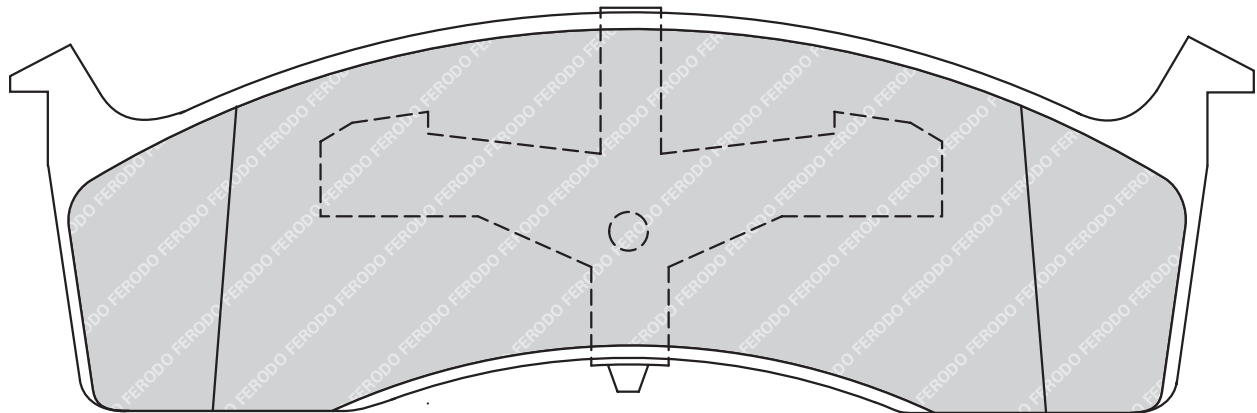
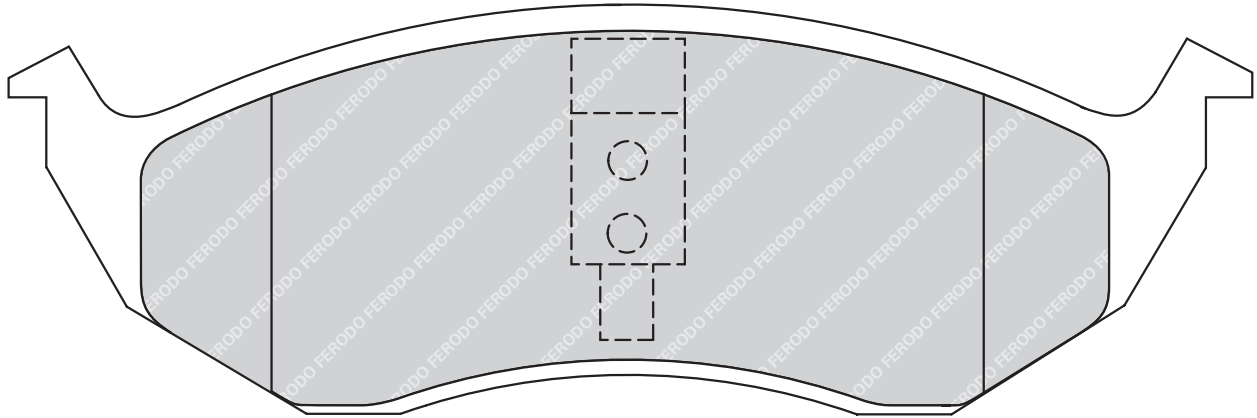
CHRYSLER



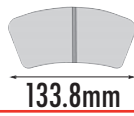
FDB1098



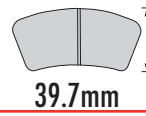
CHRYSLER



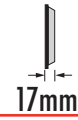
FDB1099



133.8mm

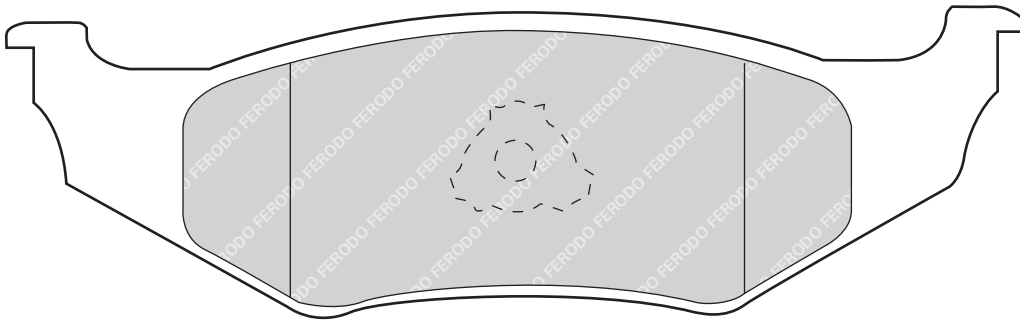
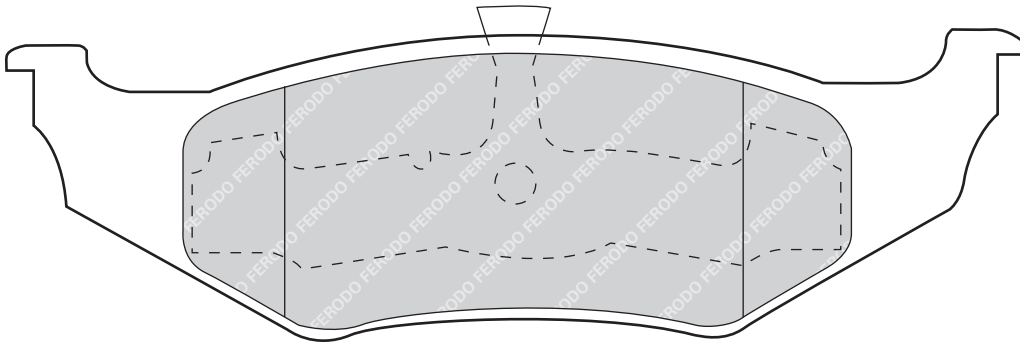


39.7mm

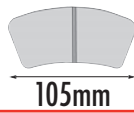


17mm

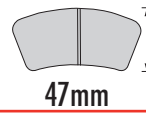
CHRYSLER



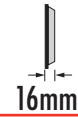
FDB1104



105mm

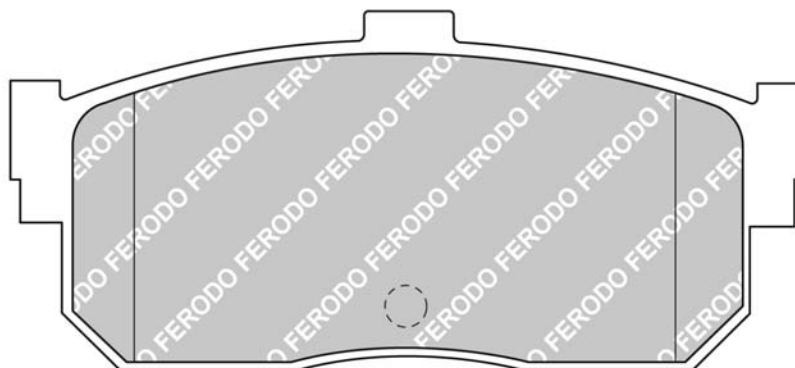
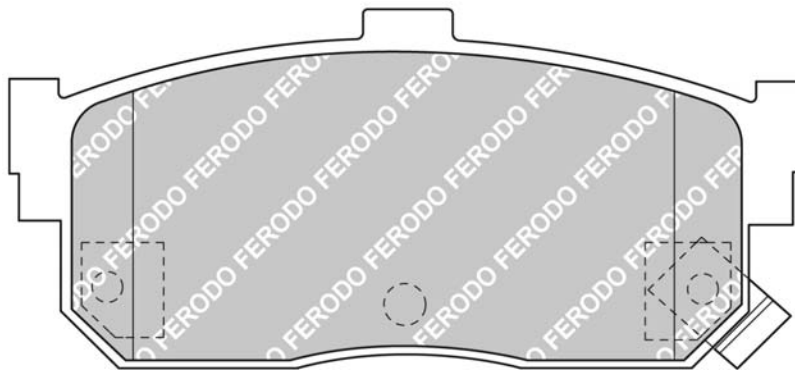


47mm

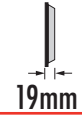
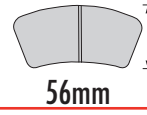
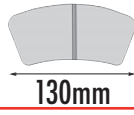


16mm

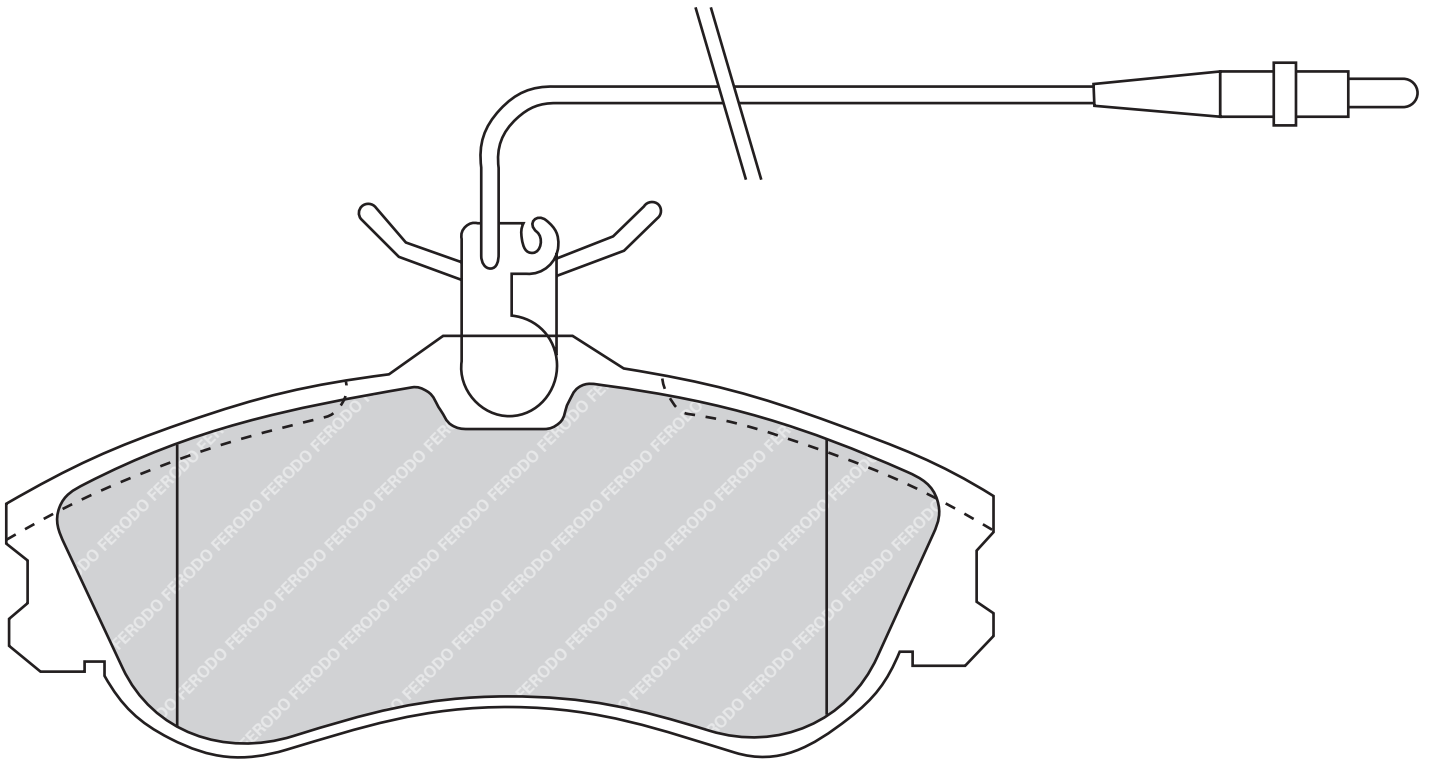
NISSAN



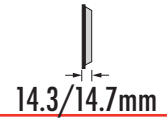
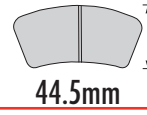
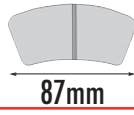
FDB1112



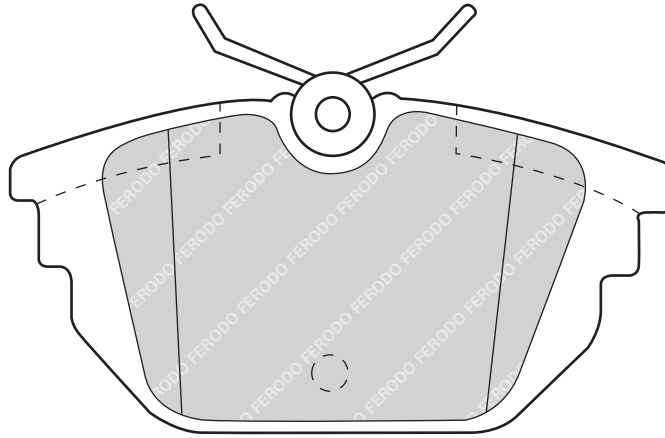
CITROEN, PEUGEOT



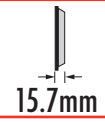
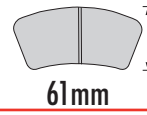
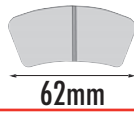
FDB1113



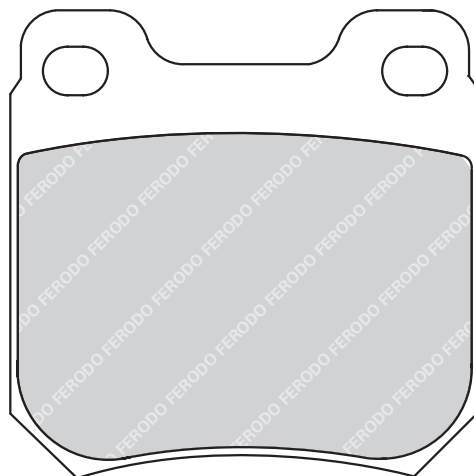
ALFA ROMEO, FIAT



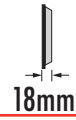
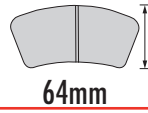
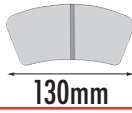
FDB1117



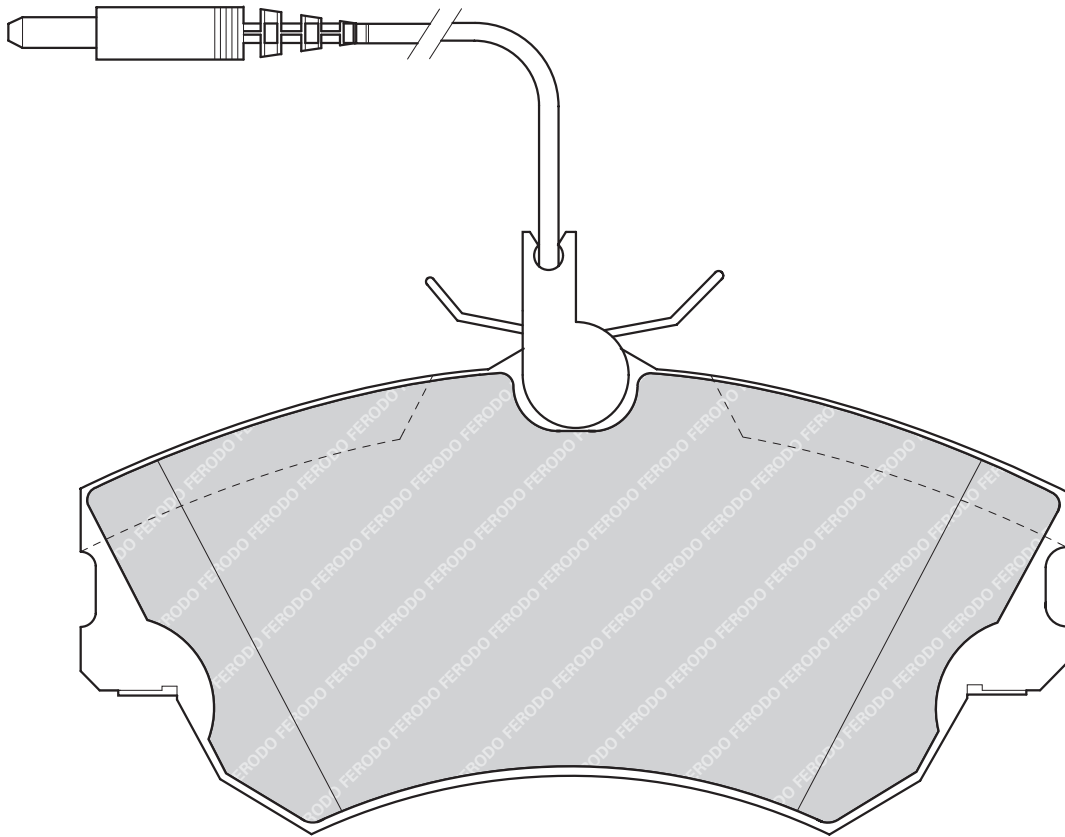
SAAB



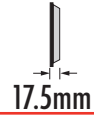
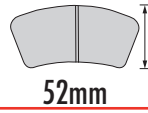
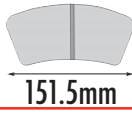
FDB1124



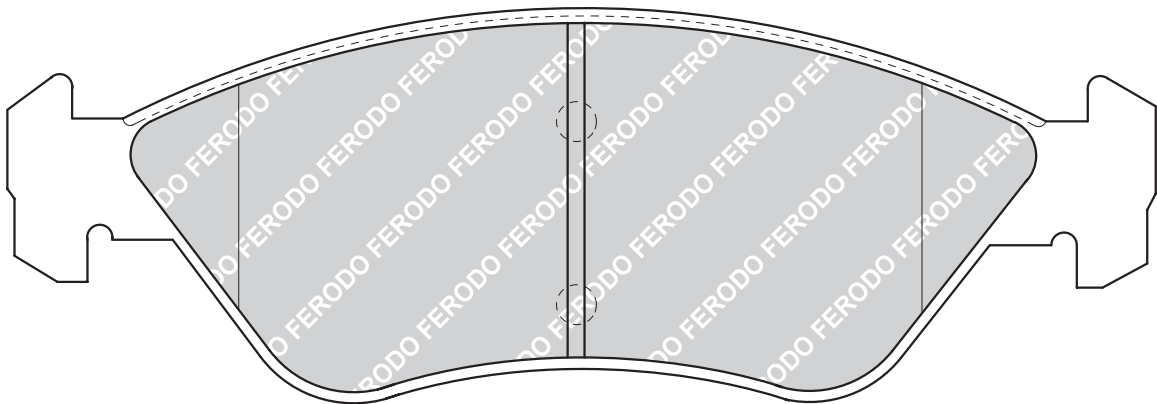
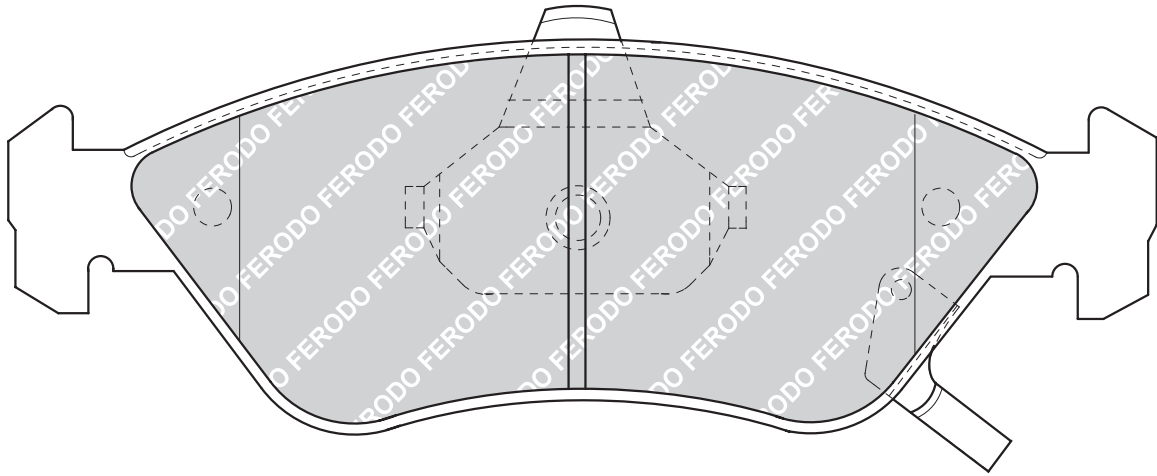
RENAULT



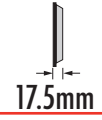
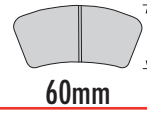
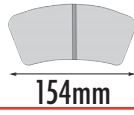
FDB1125



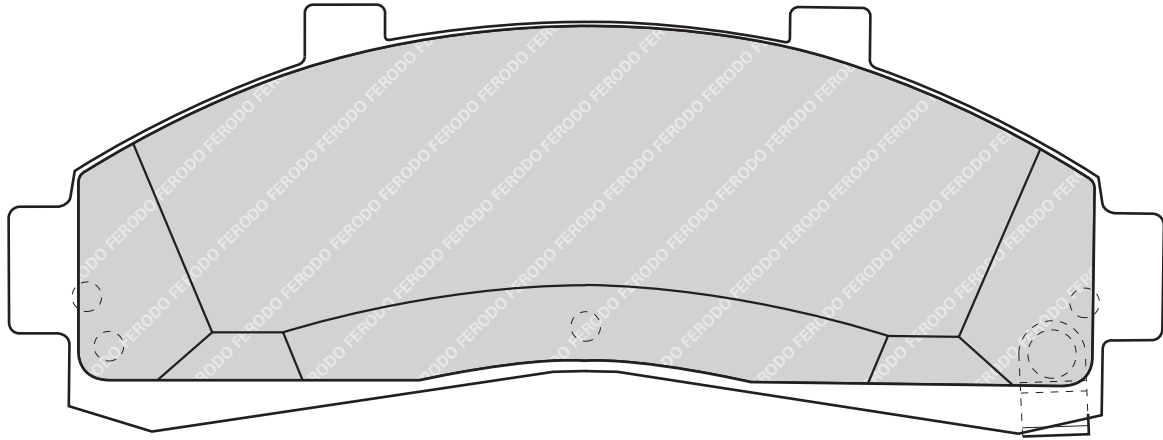
KIA



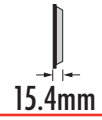
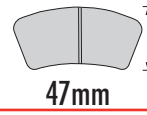
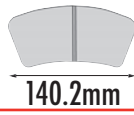
FDB1129



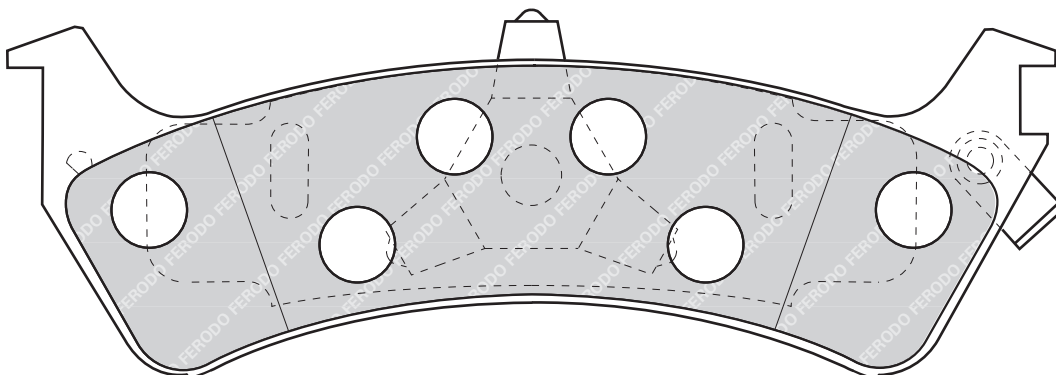
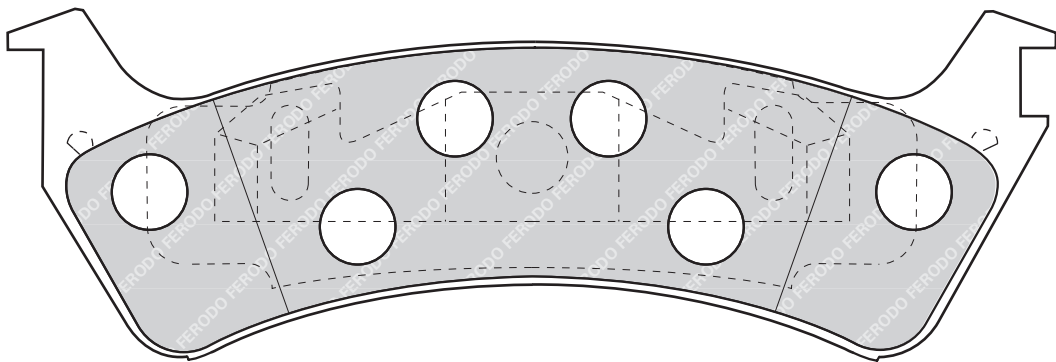
FORD



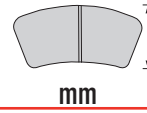
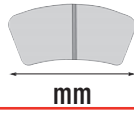
FDB1130



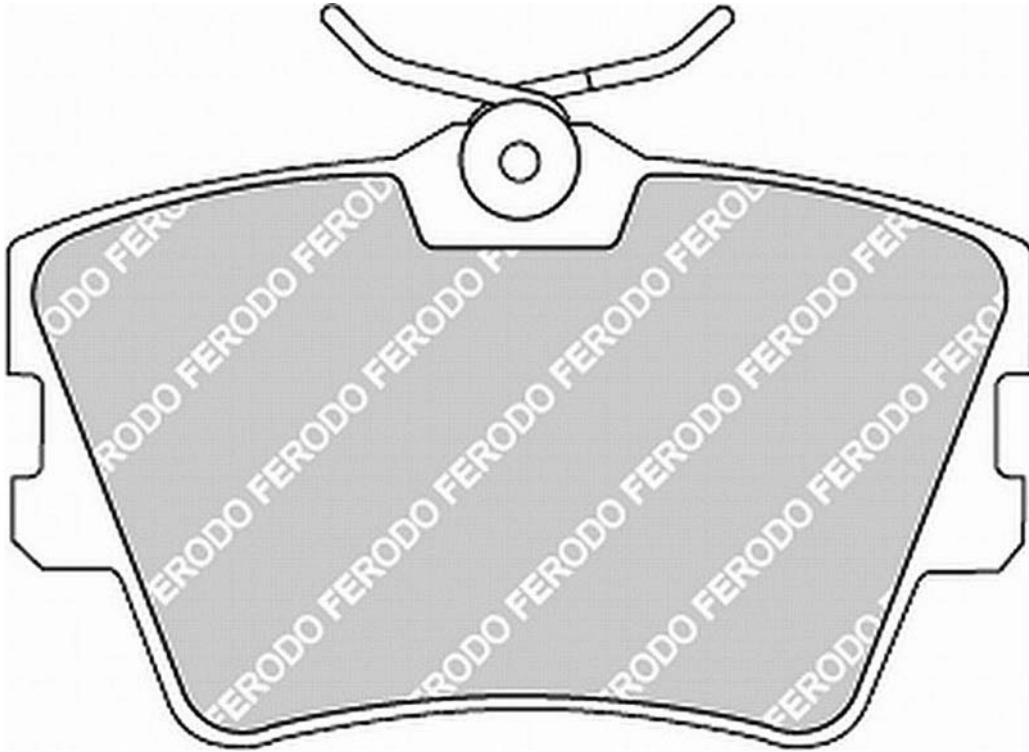
FORD



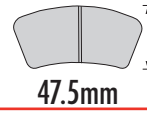
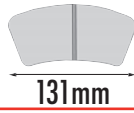
FDB1132



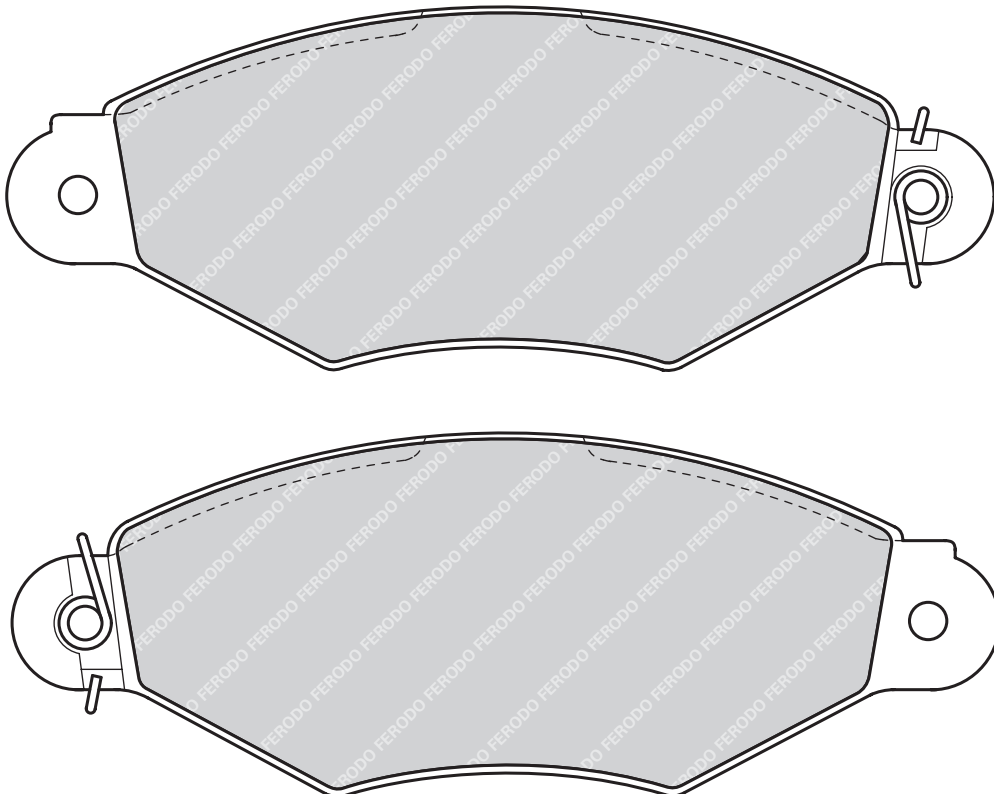
VOLKSWAGEN



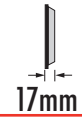
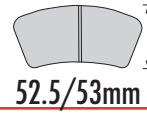
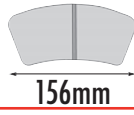
FDB1135



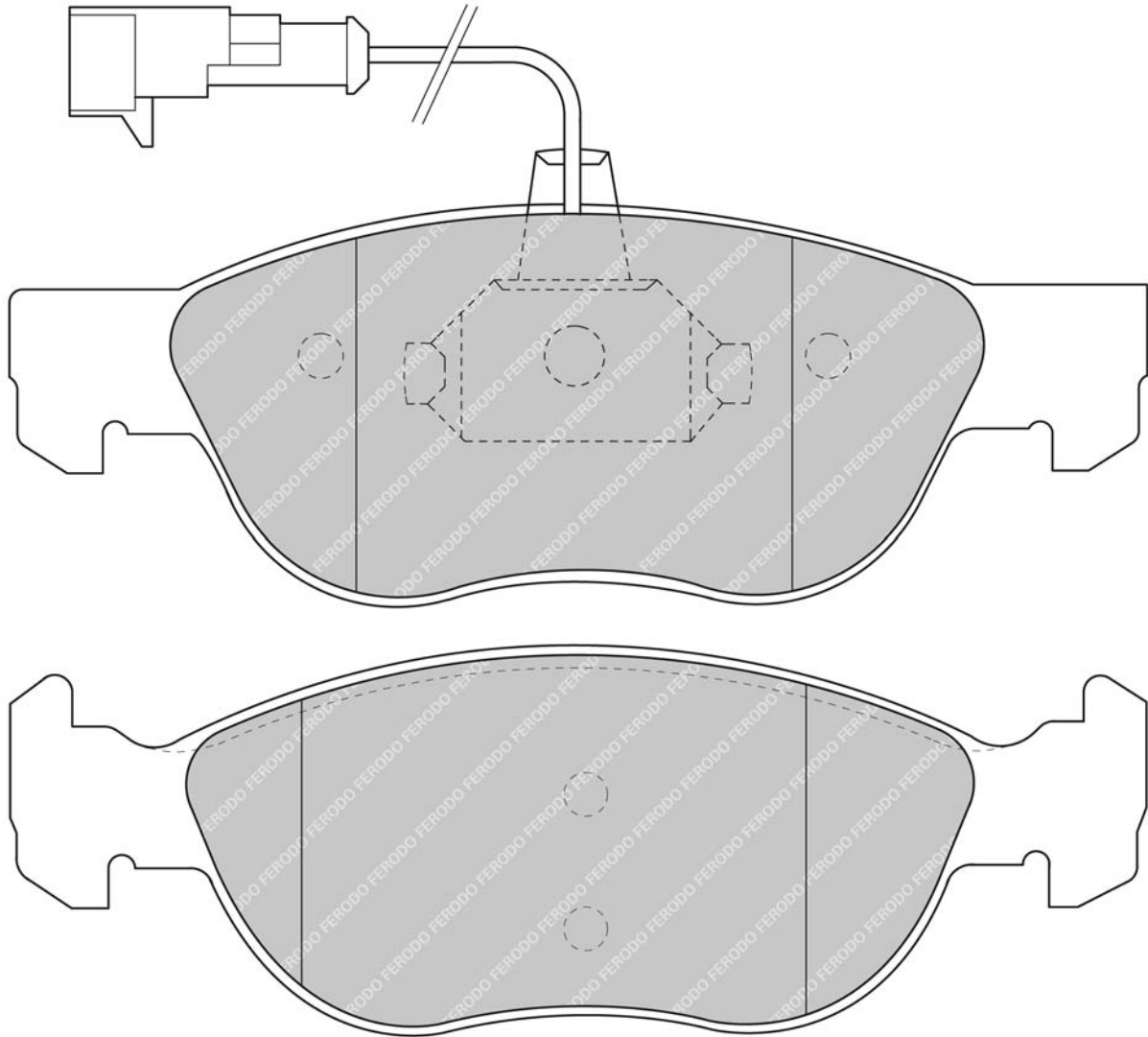
PEUGEOT, RENAULT



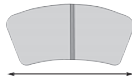
FDB1137



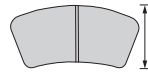
ALFA ROMEO



FDB1156



169.5mm
169.5mm

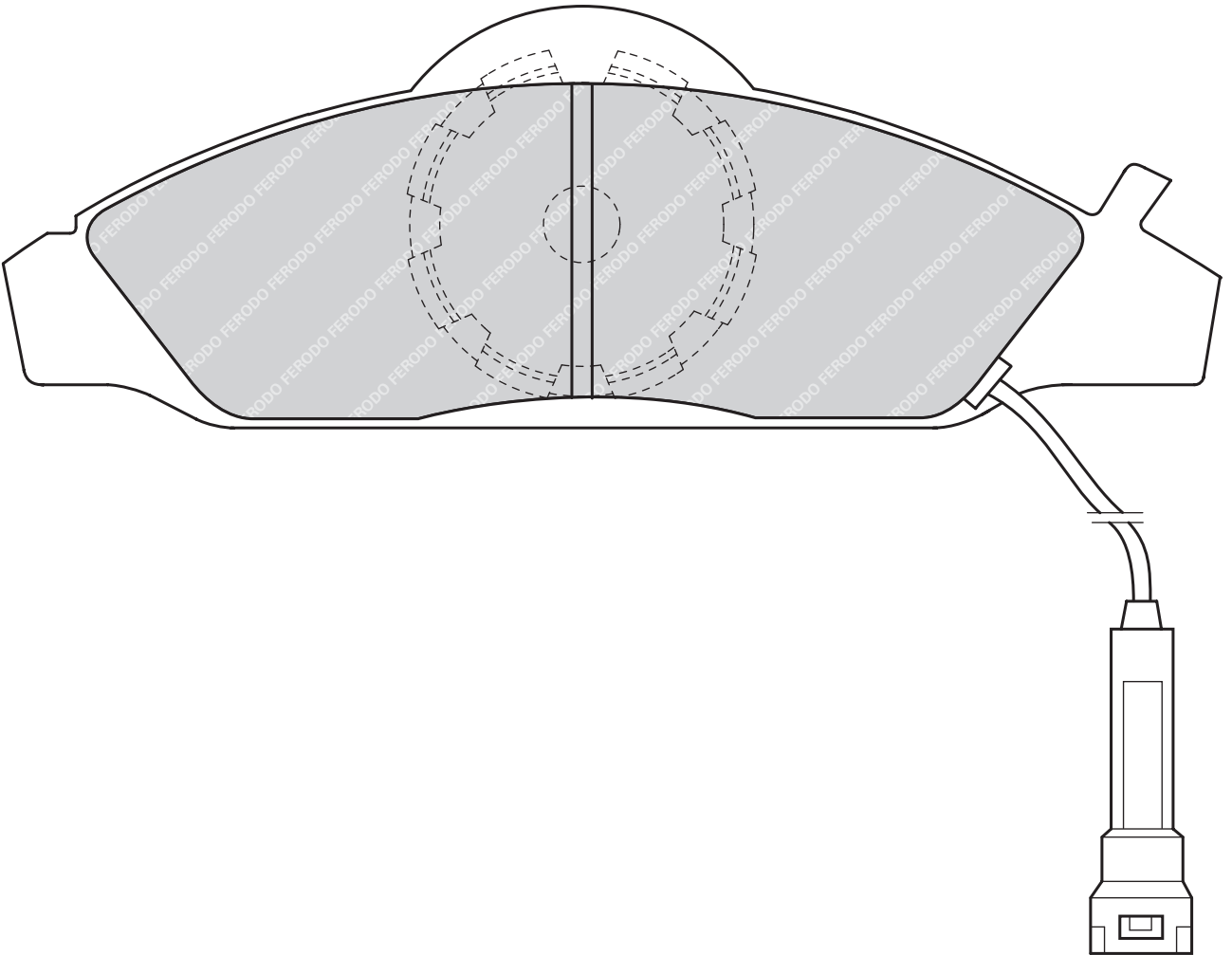
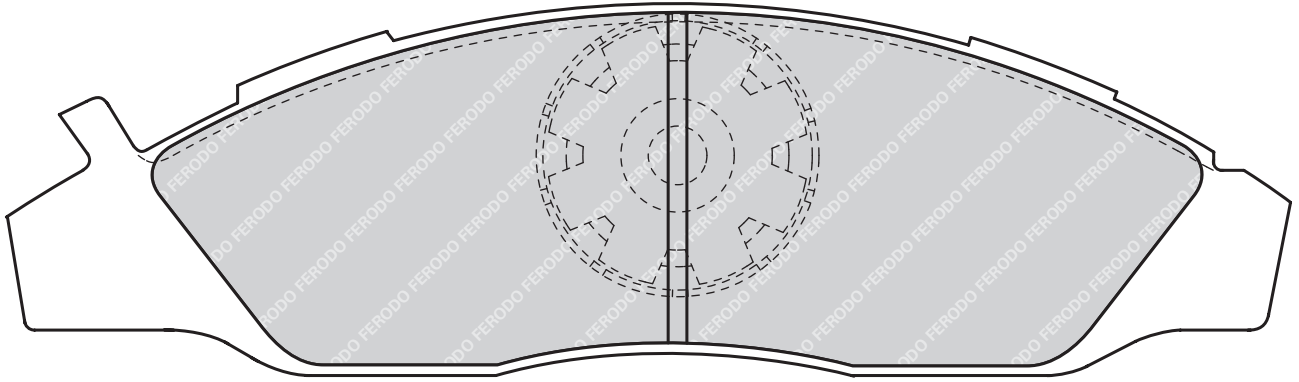


59mm
50mm

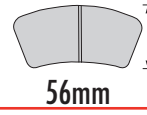
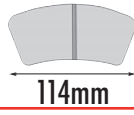


16.7mm
16mm

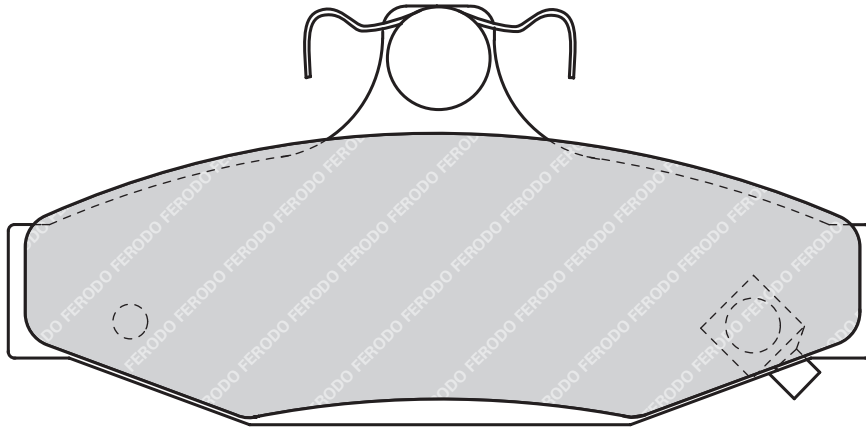
SSANYONG



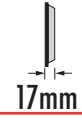
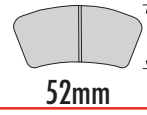
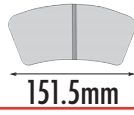
FDB1157



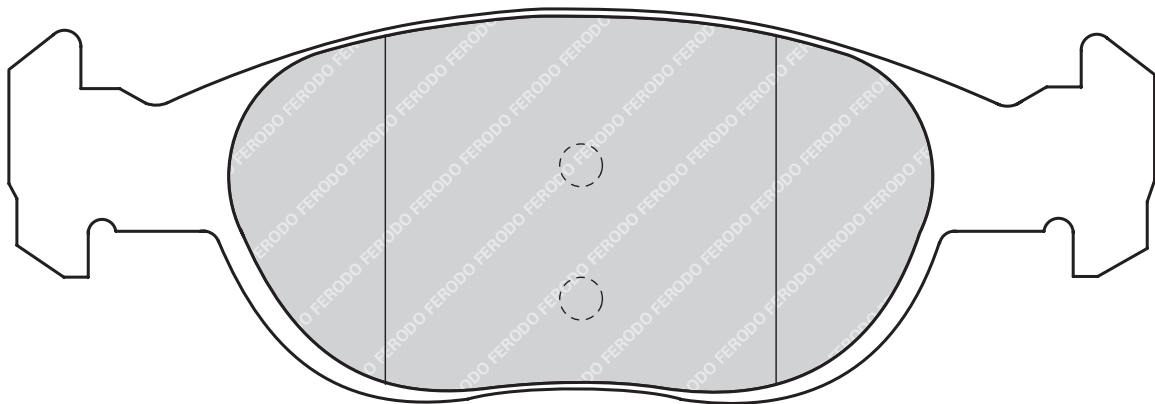
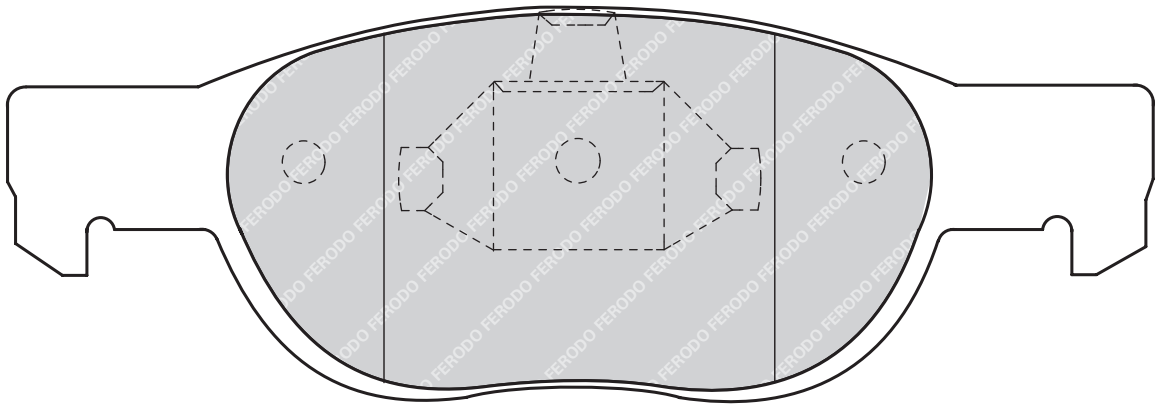
FORD, SSANYONG



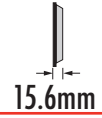
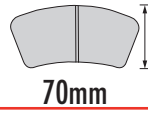
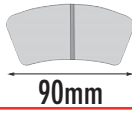
FDB1160



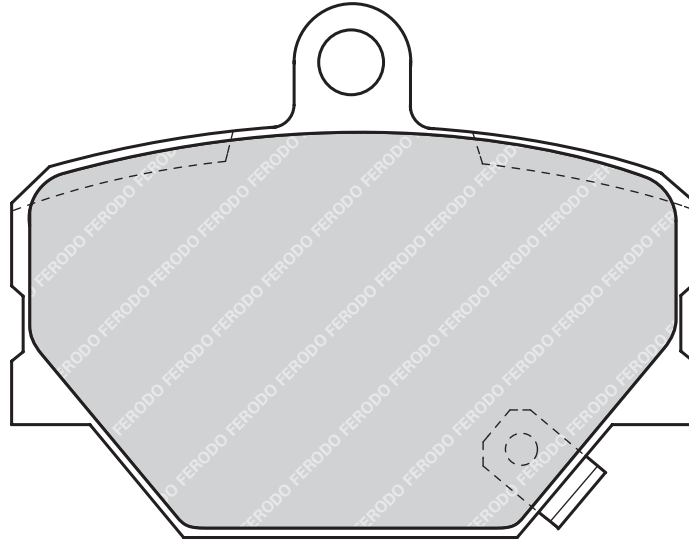
FIAT



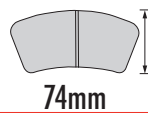
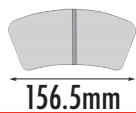
FDB1162



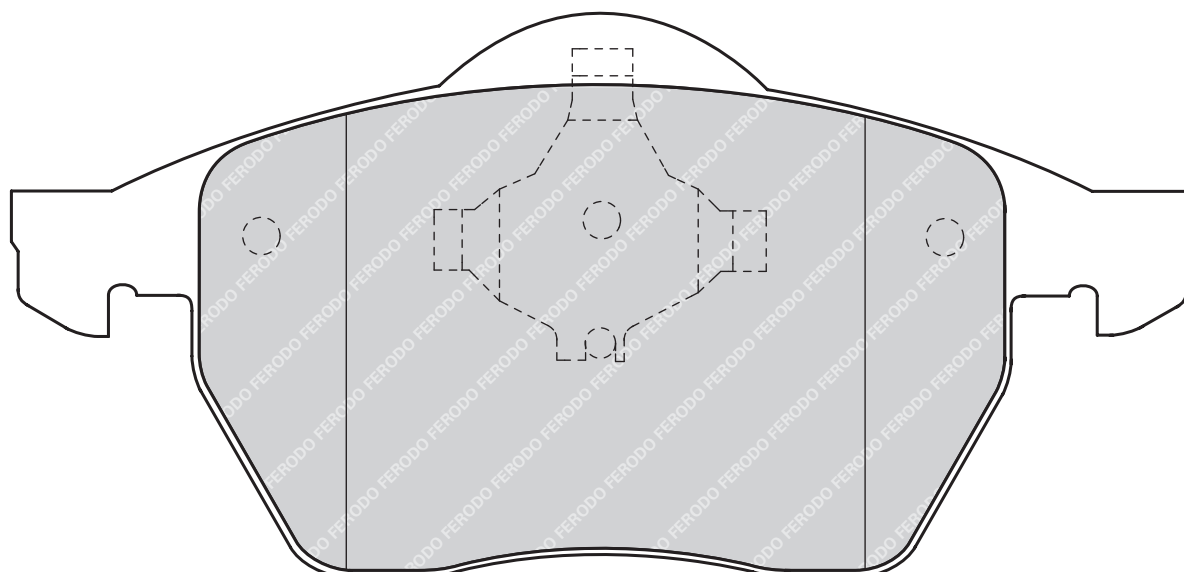
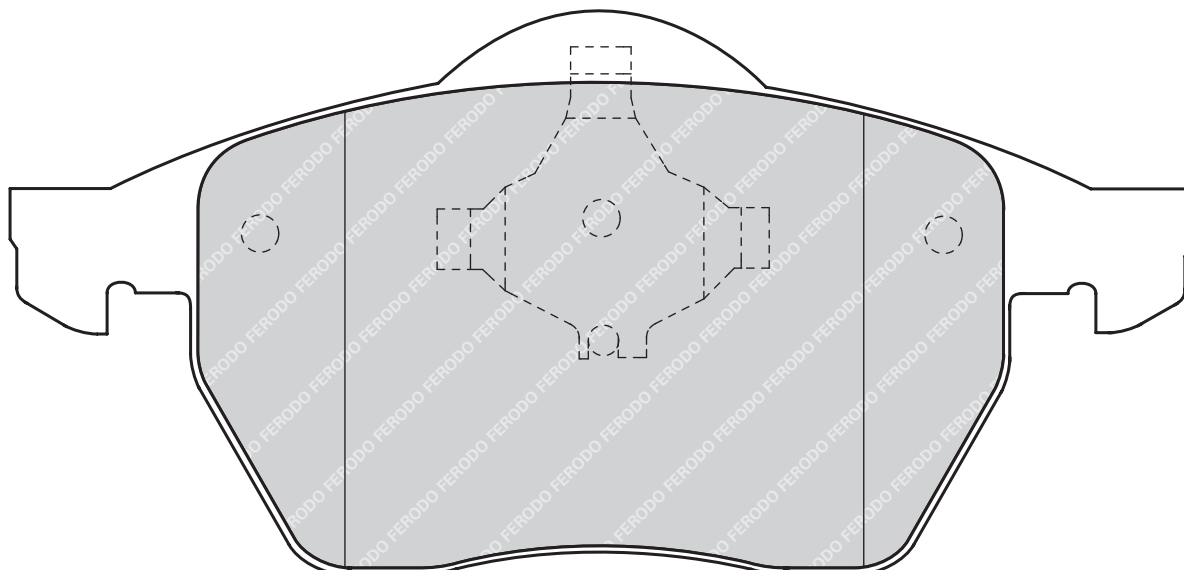
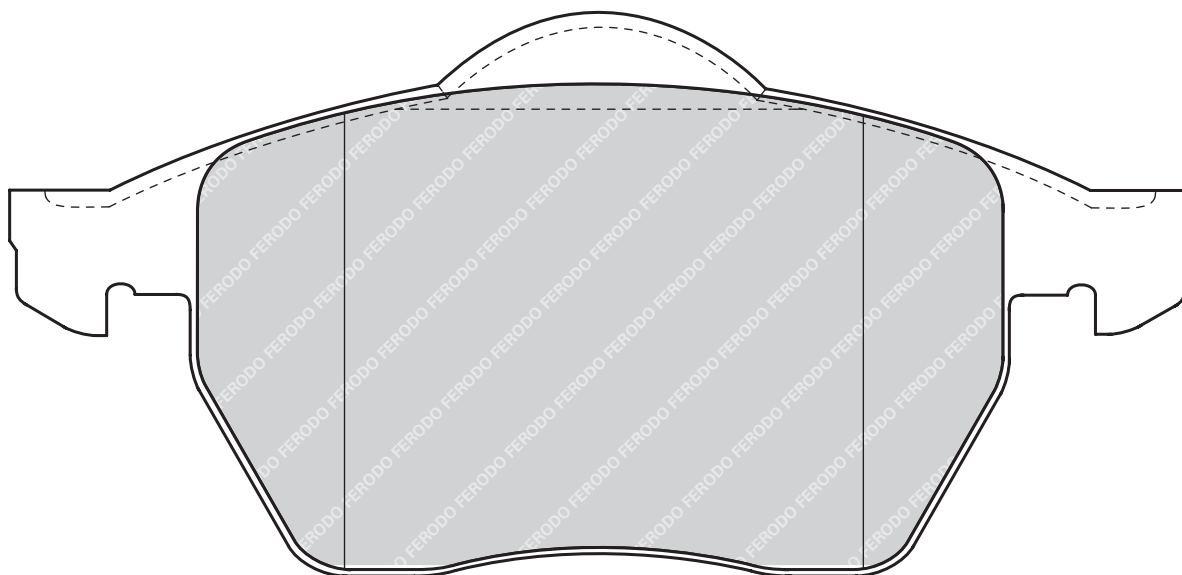
SMART



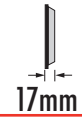
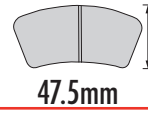
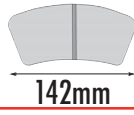
FDB1167



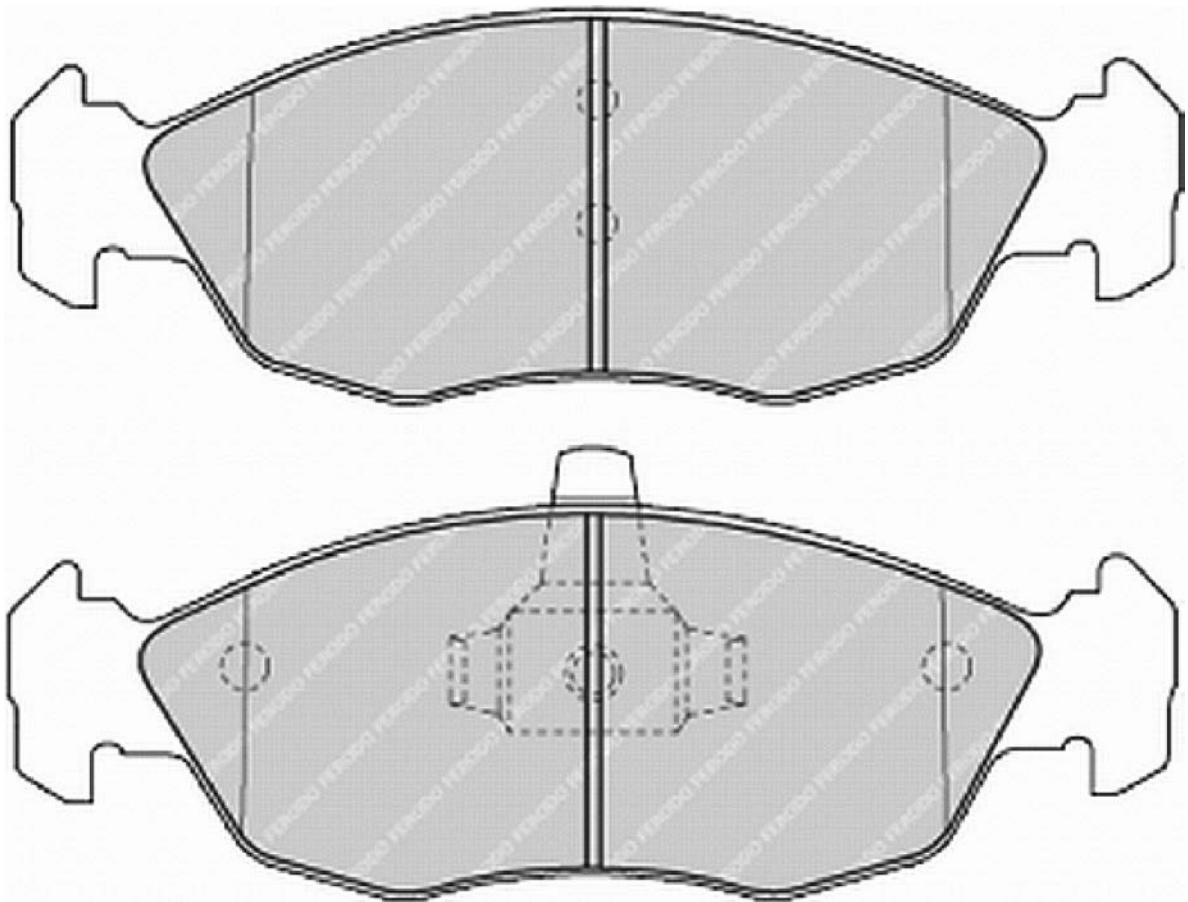
AUDI, VOLKSWAGEN



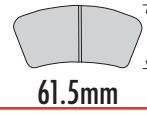
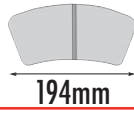
FDB1168



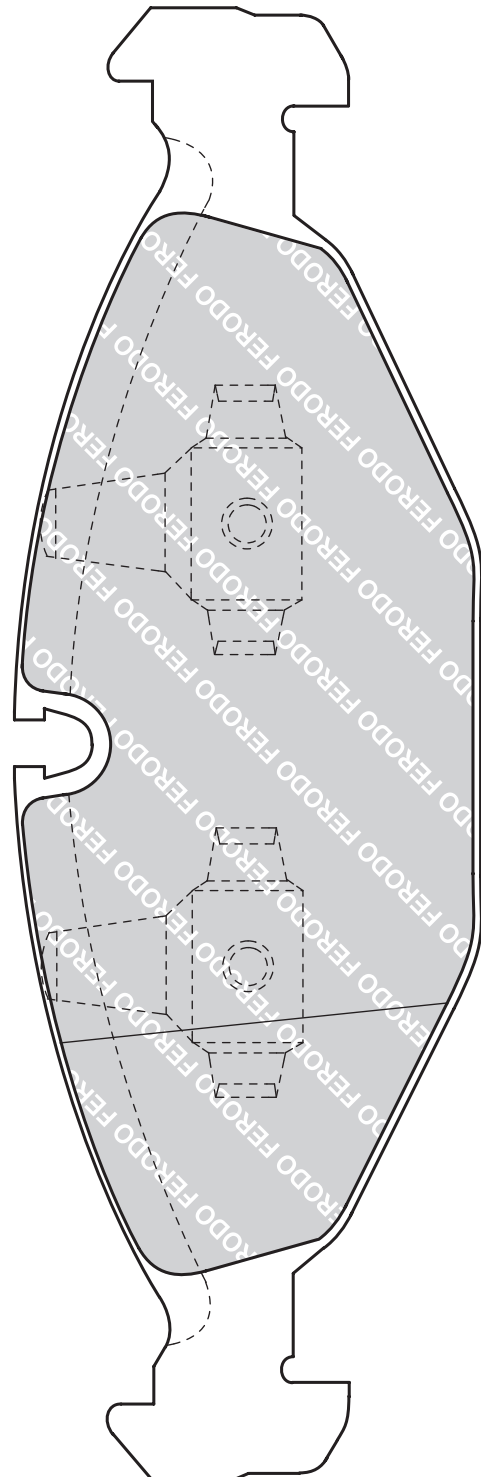
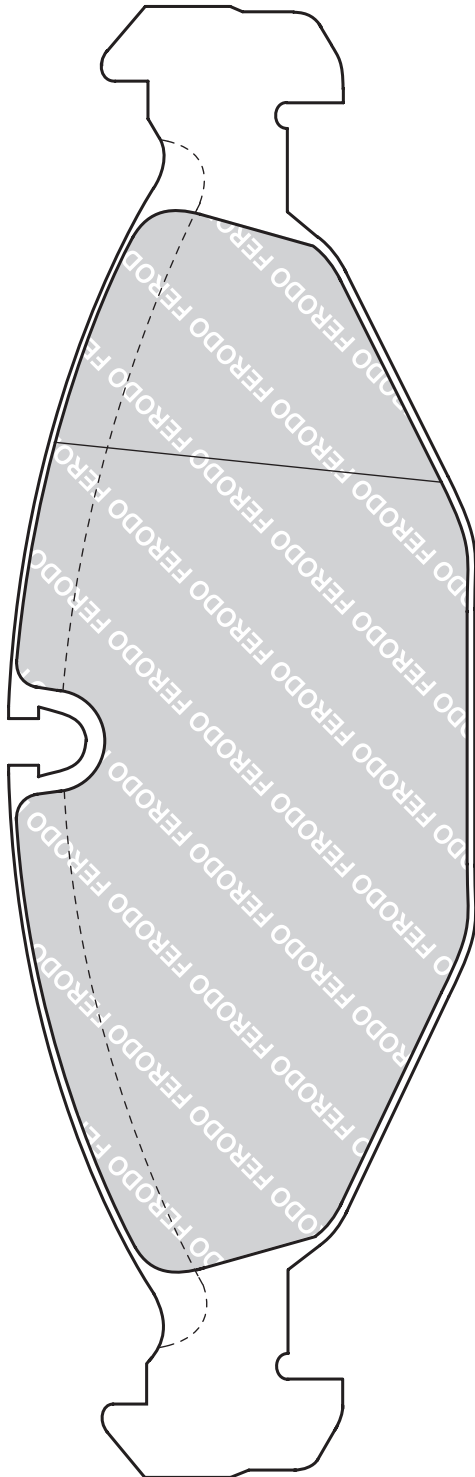
PEUGEOT



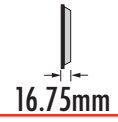
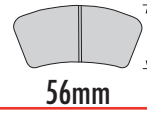
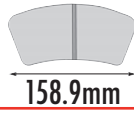
FDB1169



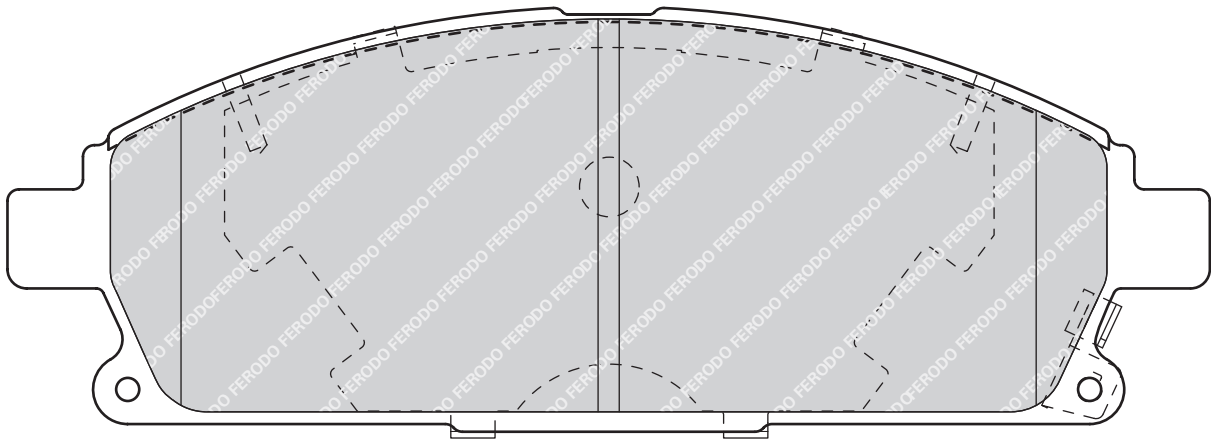
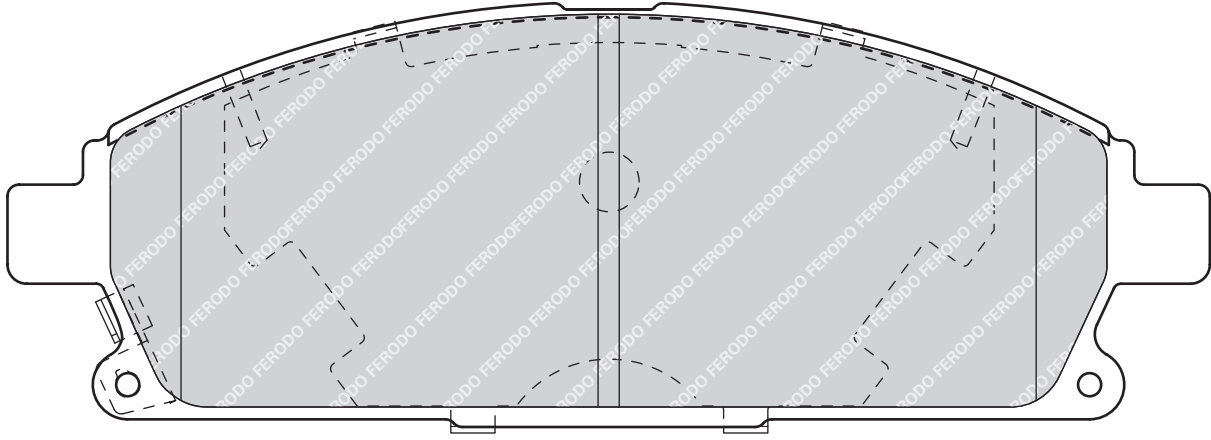
JAGUAR



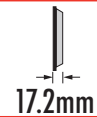
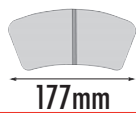
FDB1263



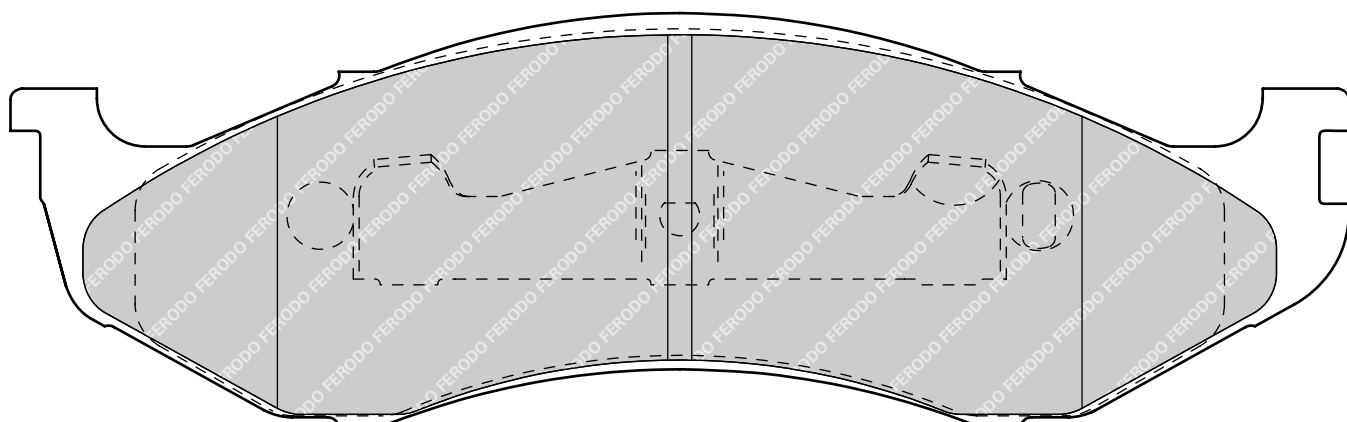
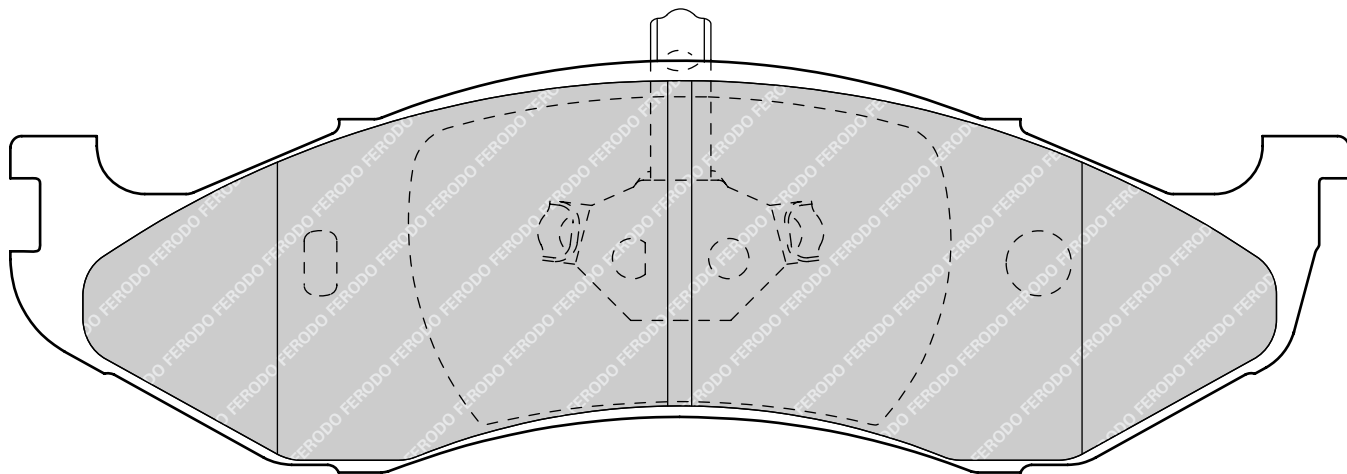
NISSAN



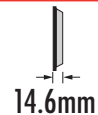
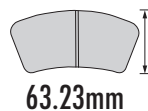
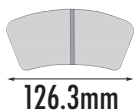
FDB1267



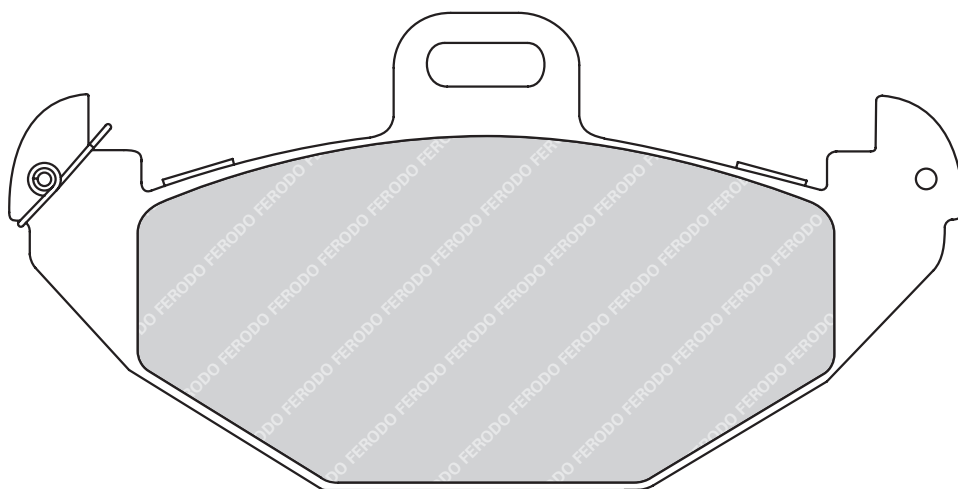
CHRYSLER, KIA



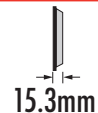
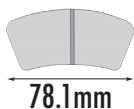
FDB 1278



RENAULT

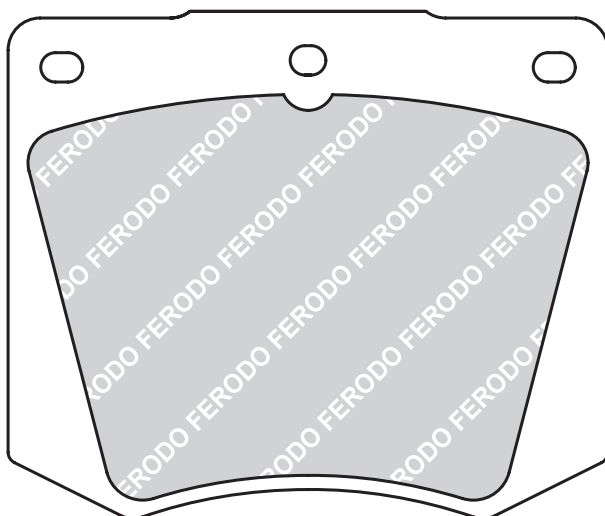


FDB 1284



8 pads per set, 6 plain, 2 with w/ind hole

ROLLS ROYCE

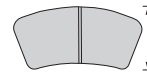


FDB 1288



142mm

142mm



48mm

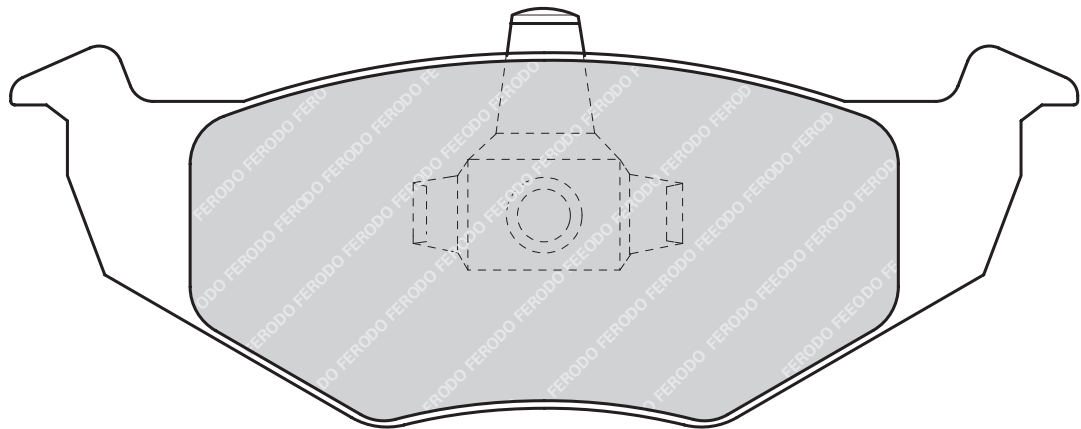
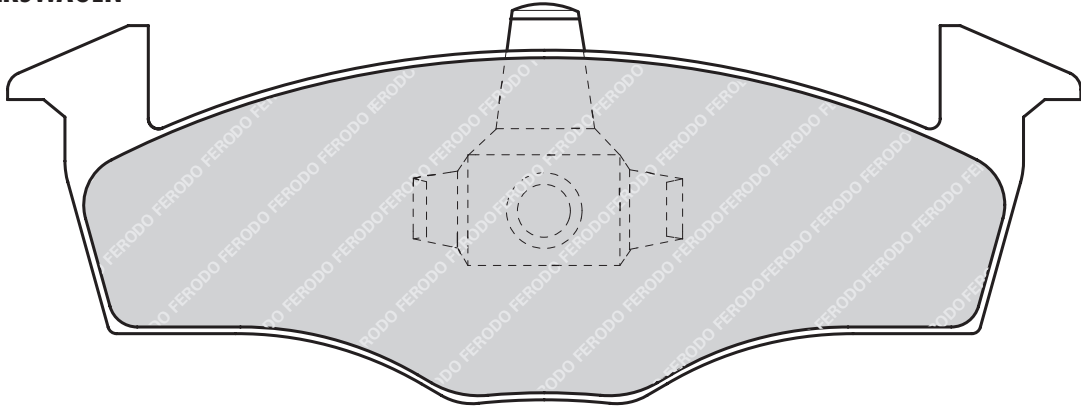
51mm



15.3mm

15.3mm

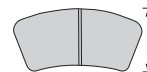
VOLKSWAGEN



FDB 1289



119.2mm

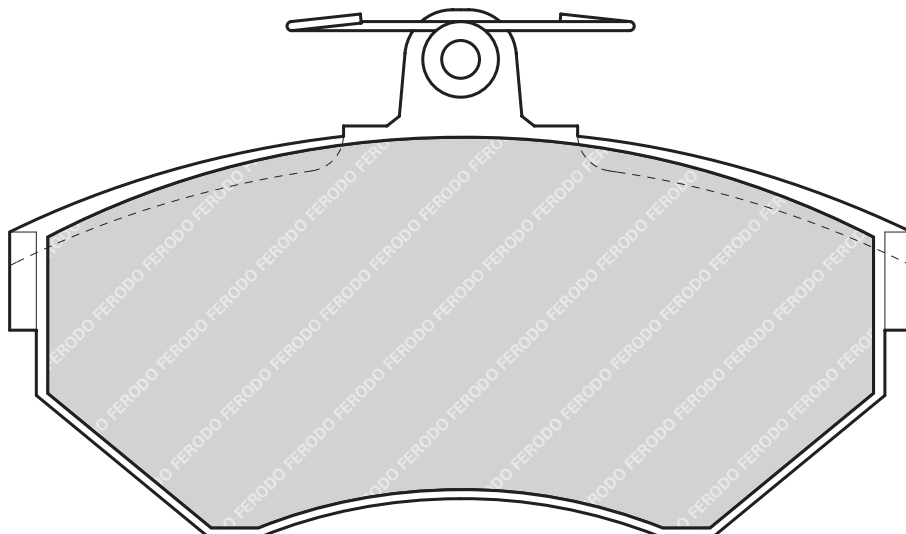


69mm

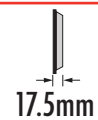
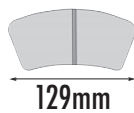


19.9mm

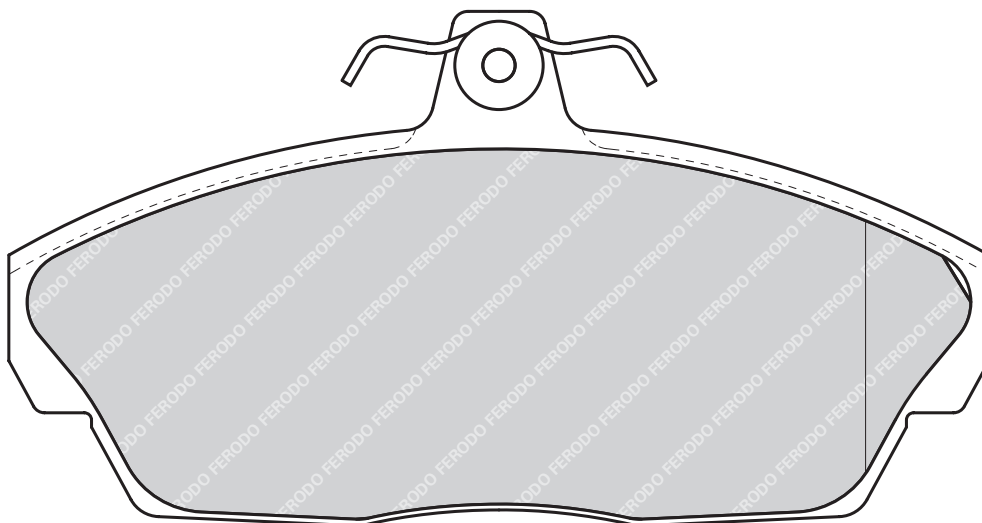
VOLKSWAGEN



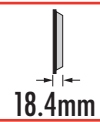
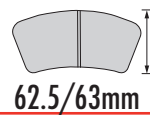
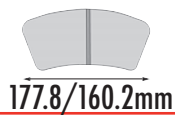
FDB1291



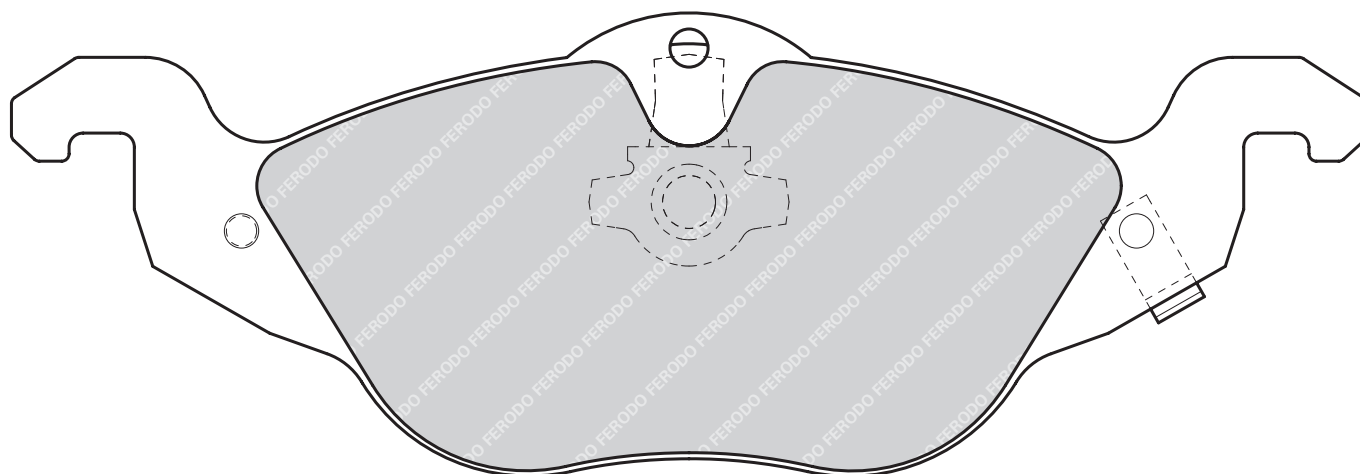
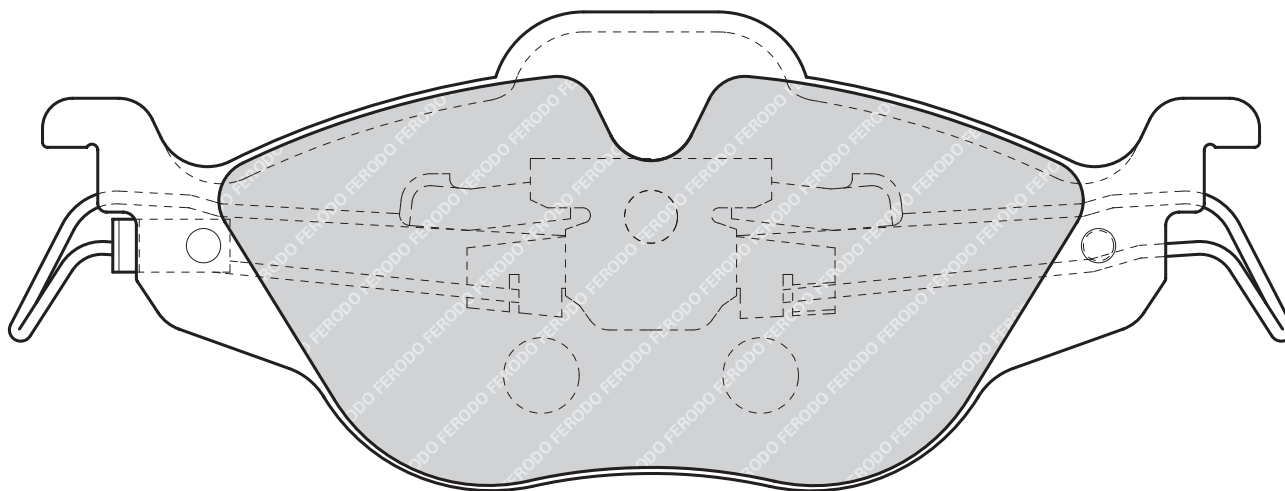
LANDROVER, TATA



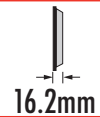
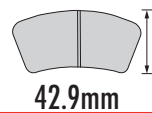
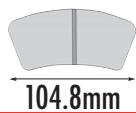
FDB1293



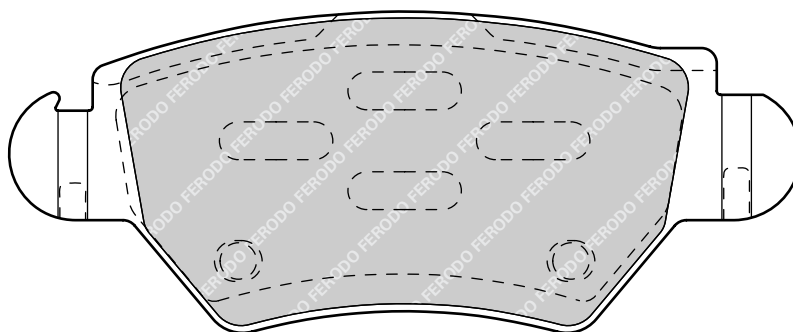
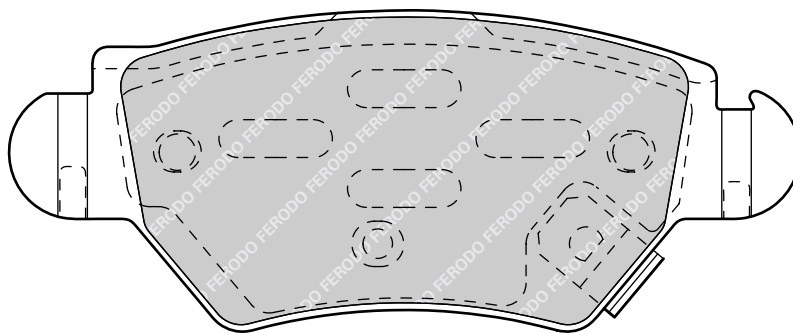
OPEL



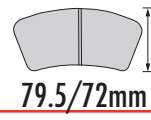
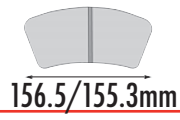
FDB 1294



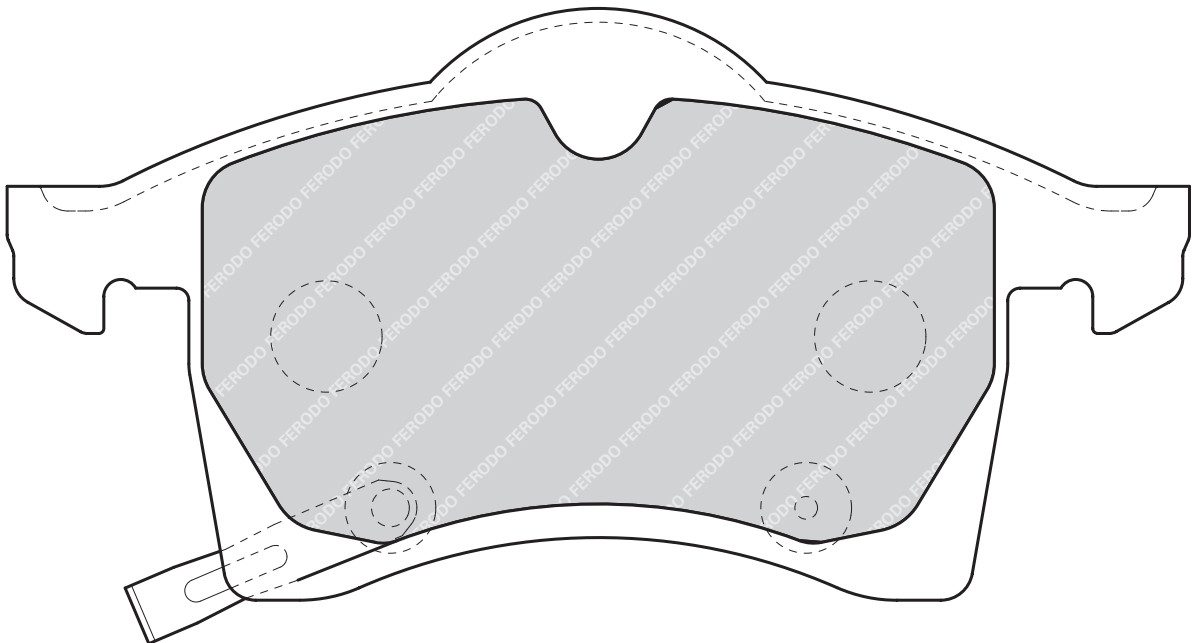
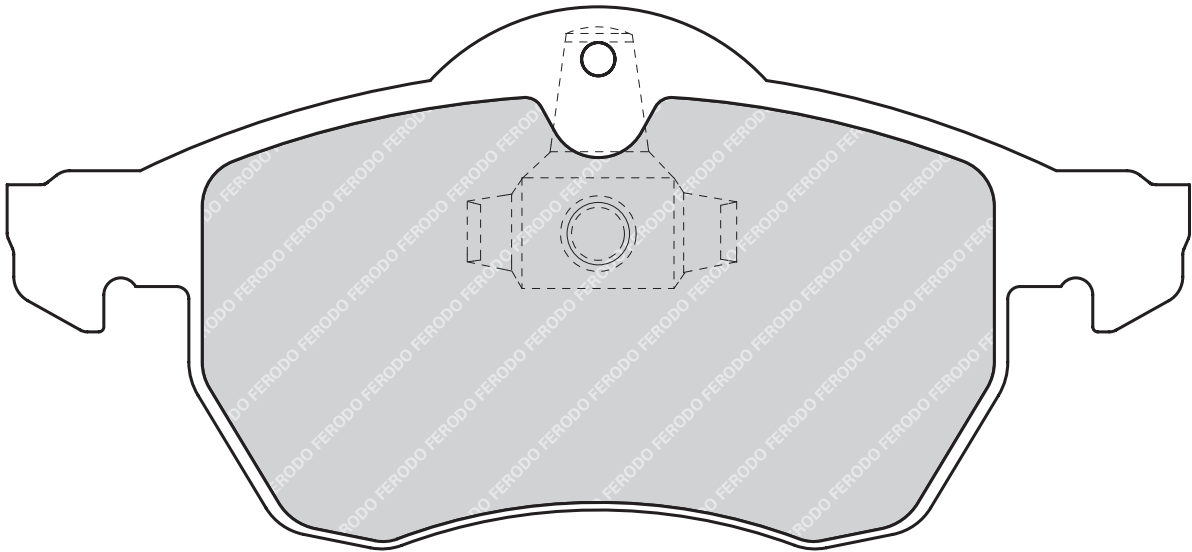
OPEL



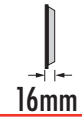
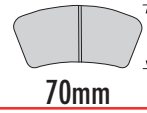
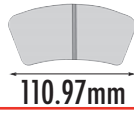
FDB1295



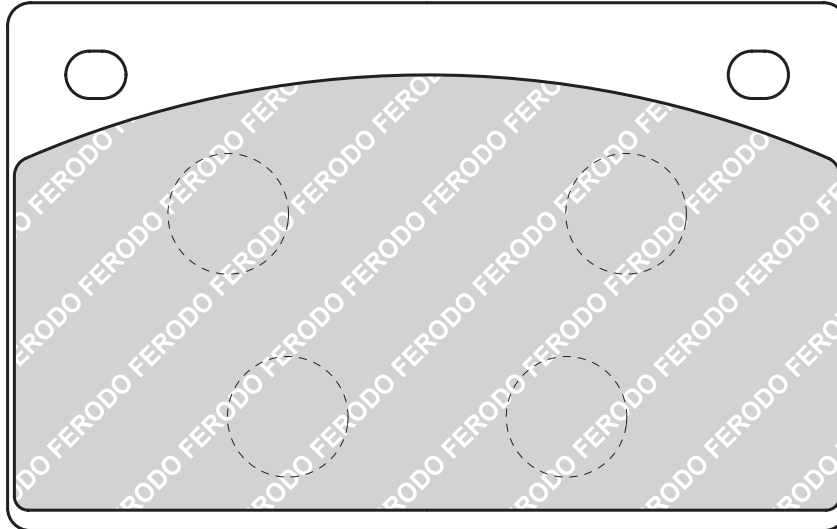
OPEL



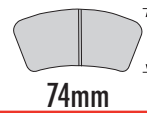
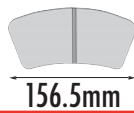
FDB 1296



ROLLS ROYCE

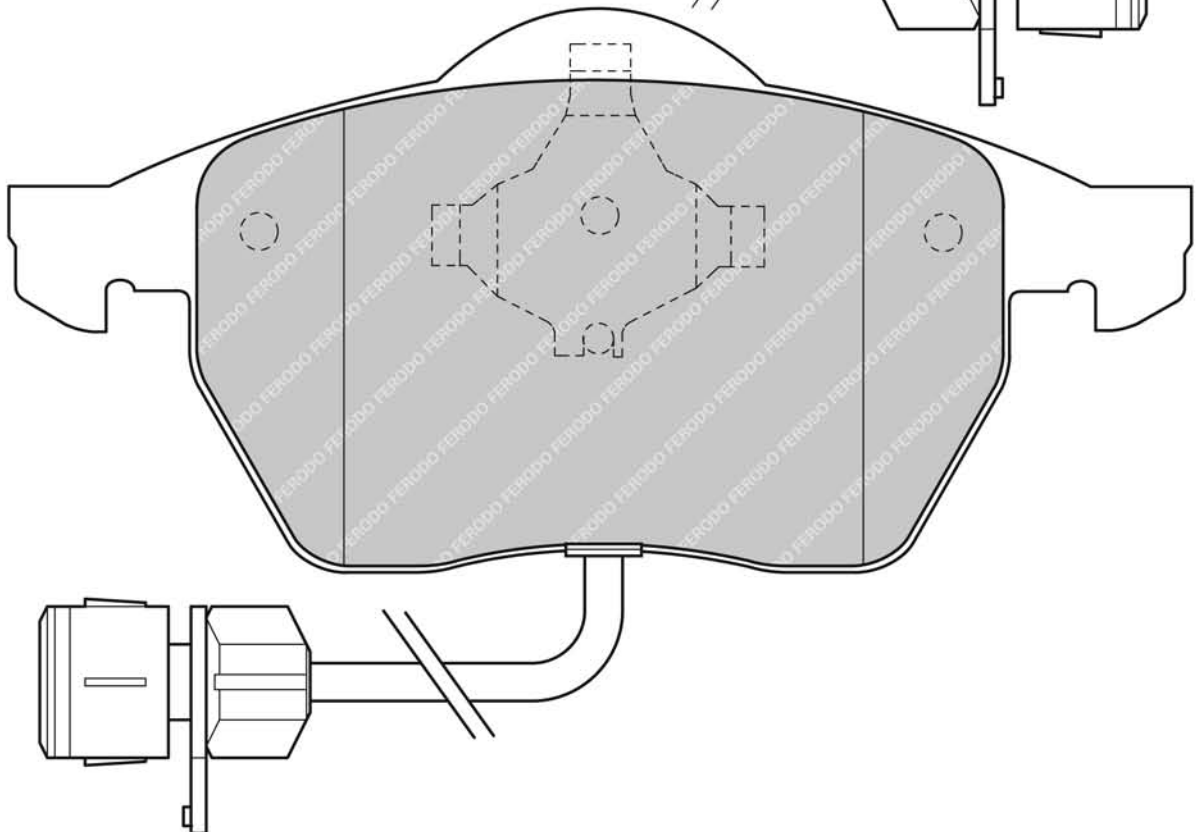
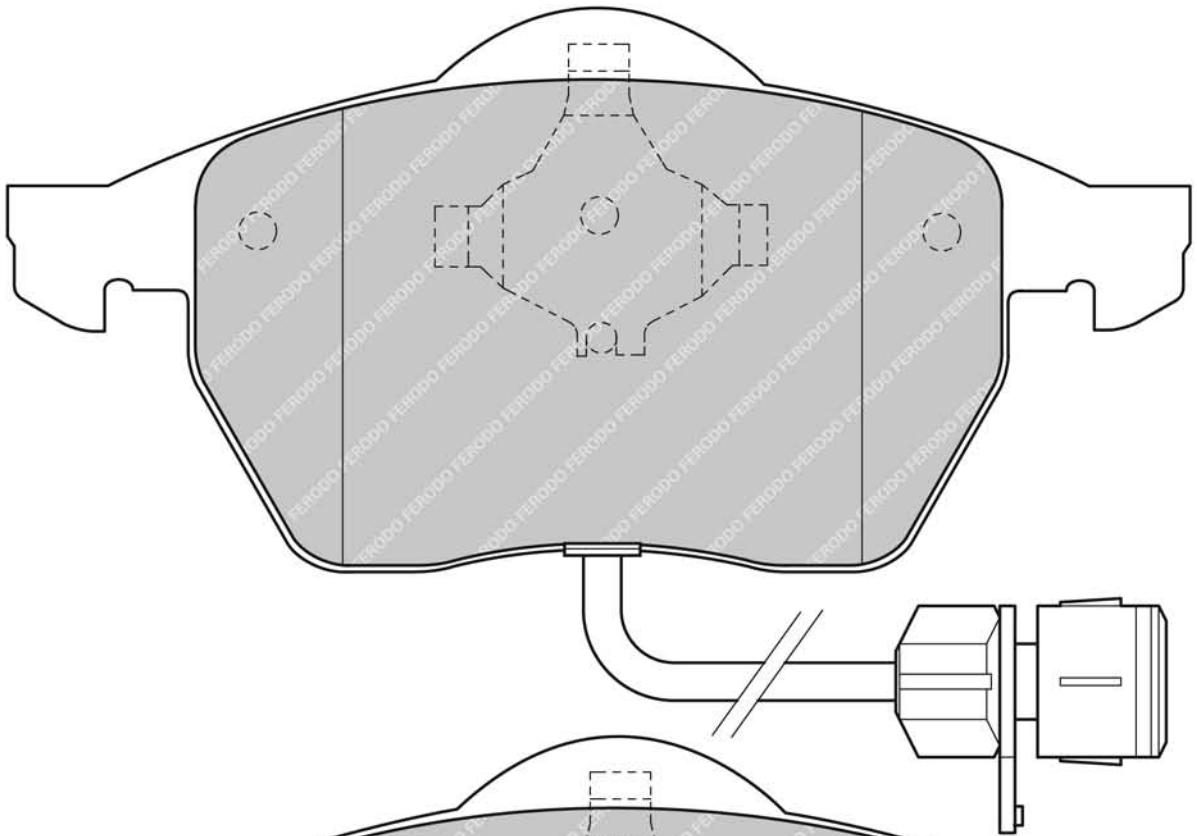
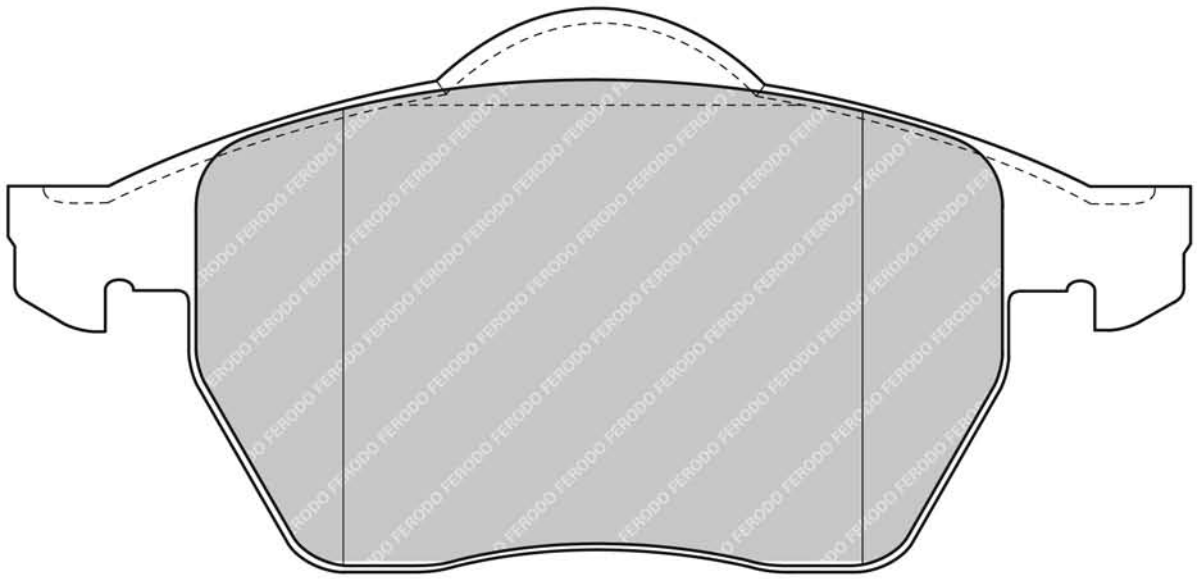


FDB 1297

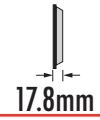
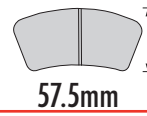
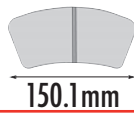


AUDI

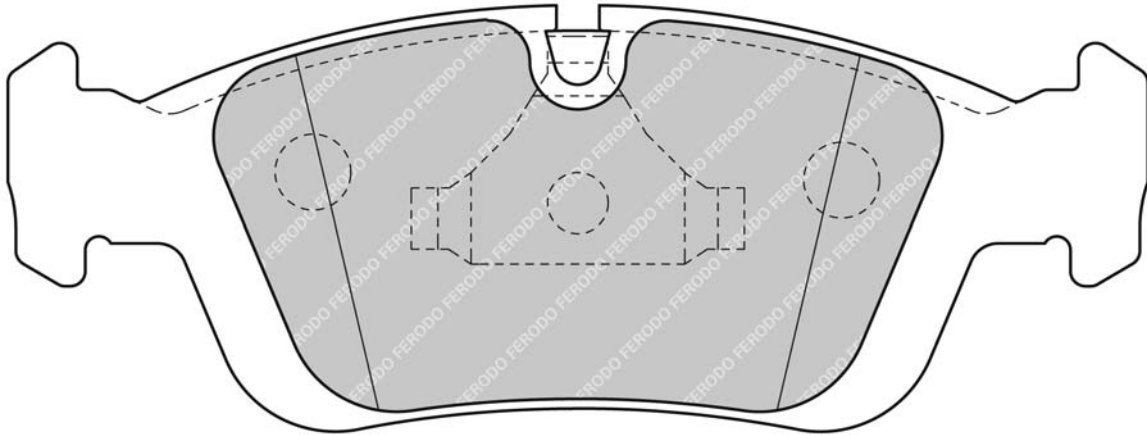
ILLUSTRATION ON NEXT PAGE



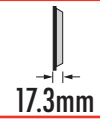
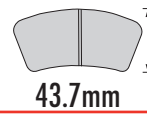
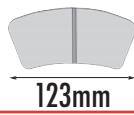
FDB 1300



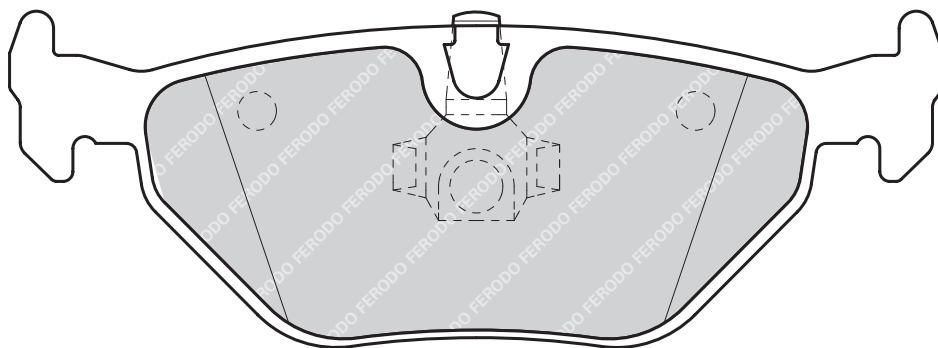
BMW



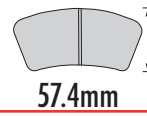
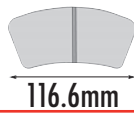
FDB 1301



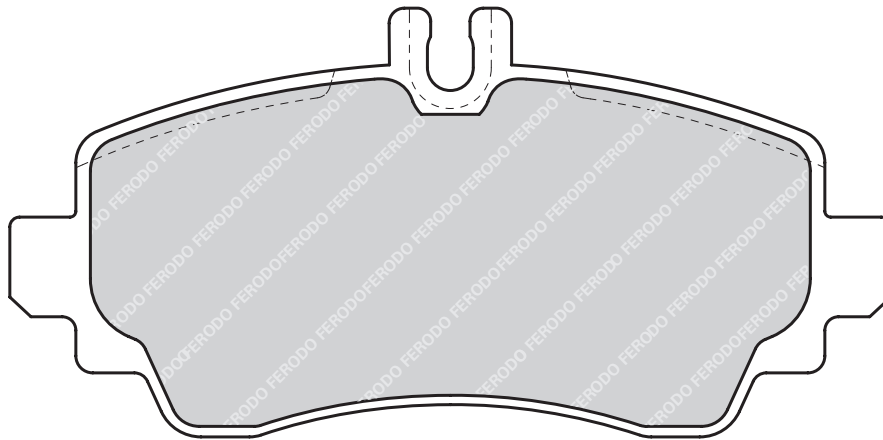
BMW, ROVER, SAAB



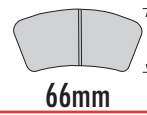
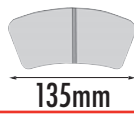
FDB 1303



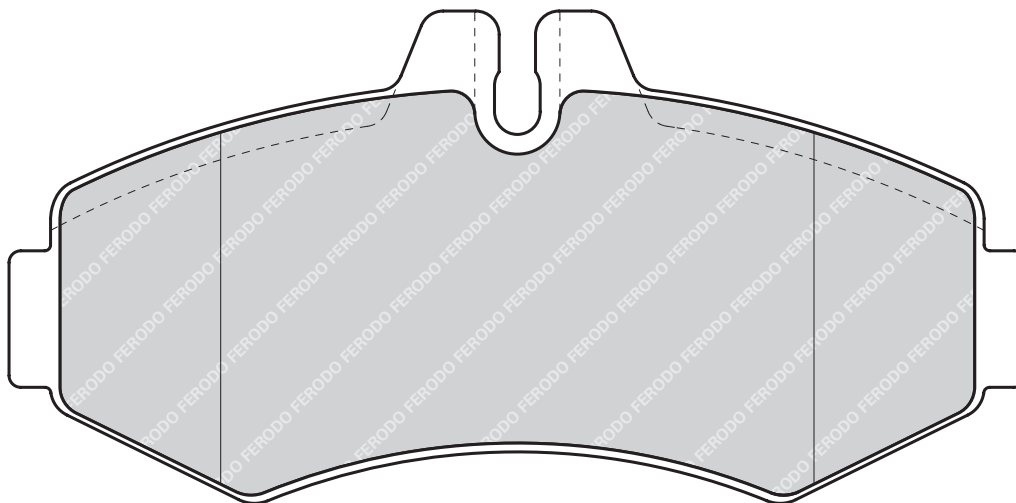
MERCEDES BENZ/VITO



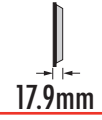
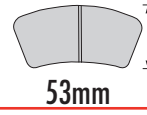
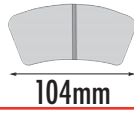
FDB 1304



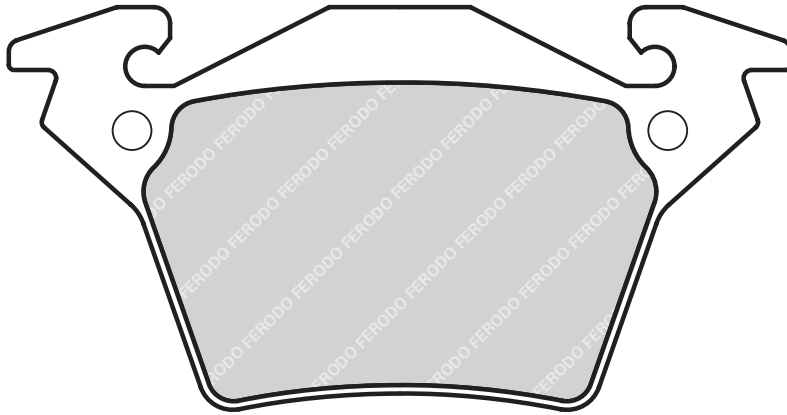
MERCEDES BENZ



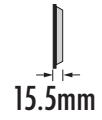
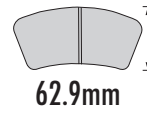
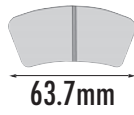
FDB1305



MERCEDES BENZ

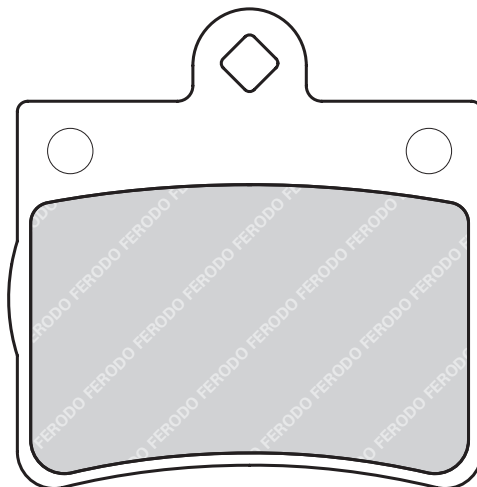


FDB1310

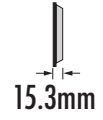
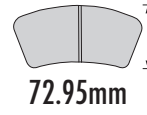
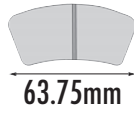


4 x plain pads

MERCEDES BENZ

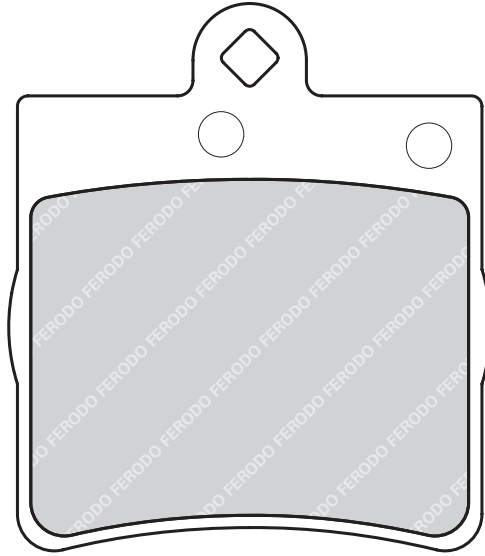


FDB1311

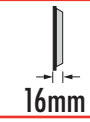
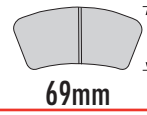
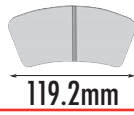


4 pads - all with shim

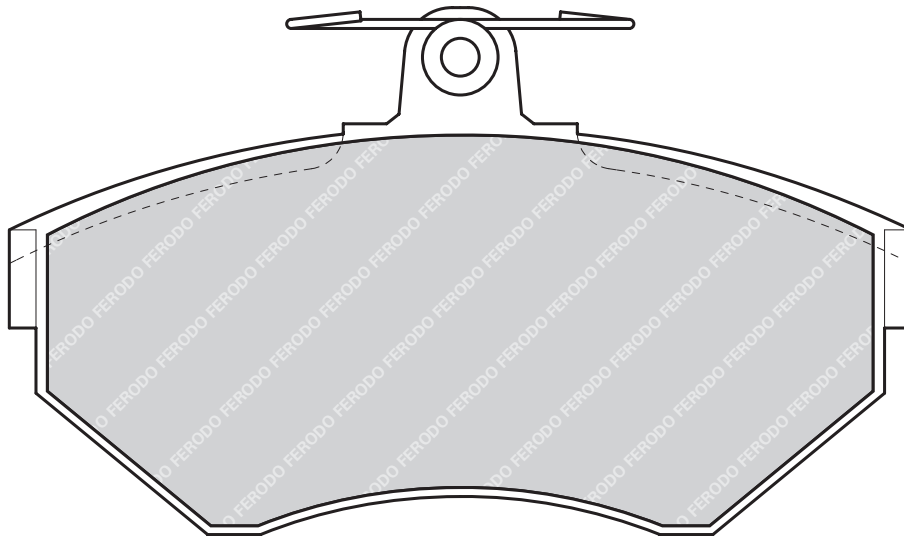
MERCEDES BENZ



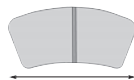
FDB1312



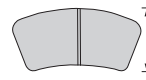
VOLKSWAGEN



FDB1318



177.9mm



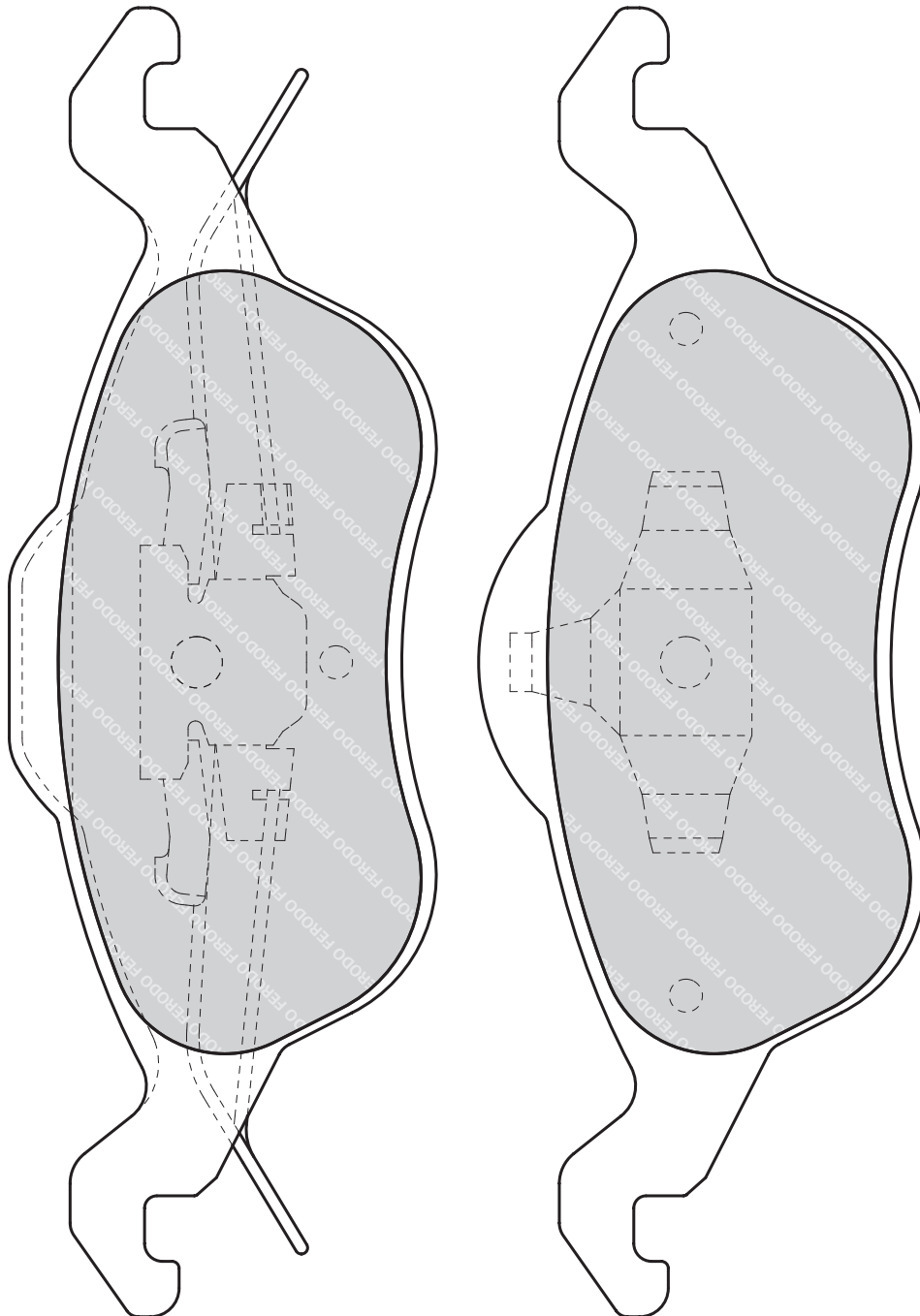
60.8mm



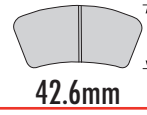
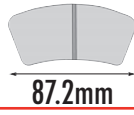
19mm

2 x pads with retaining clip, 2 x pads with retaining clip
& large 'coat hanger' spring

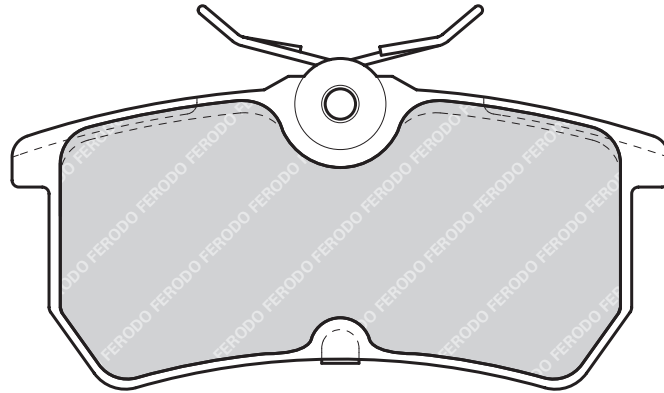
FORD



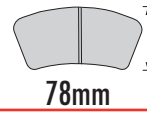
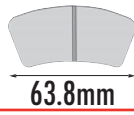
FDB1319



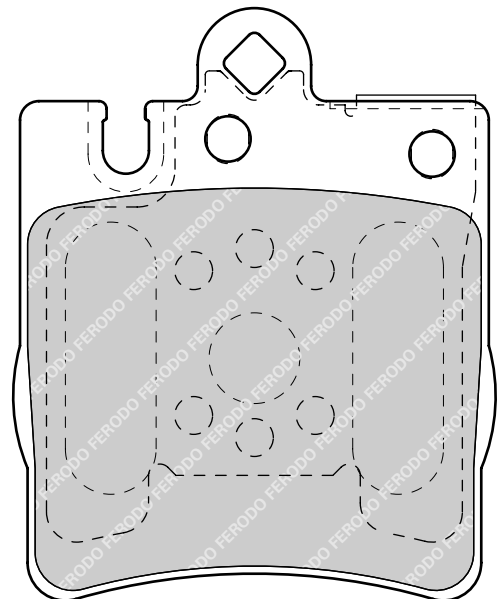
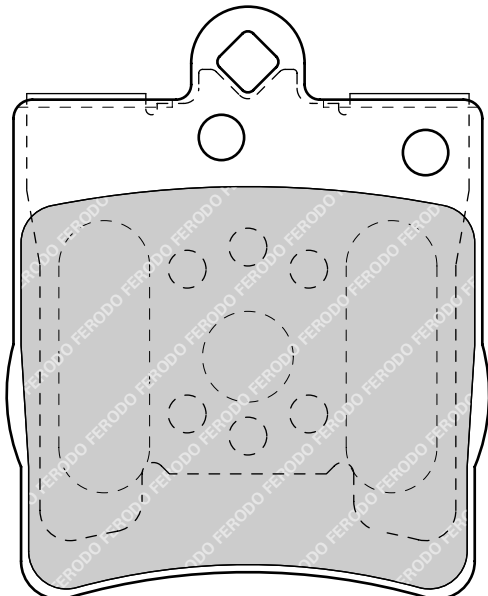
FORD



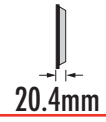
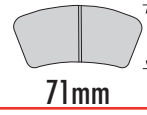
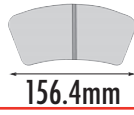
FDB1322



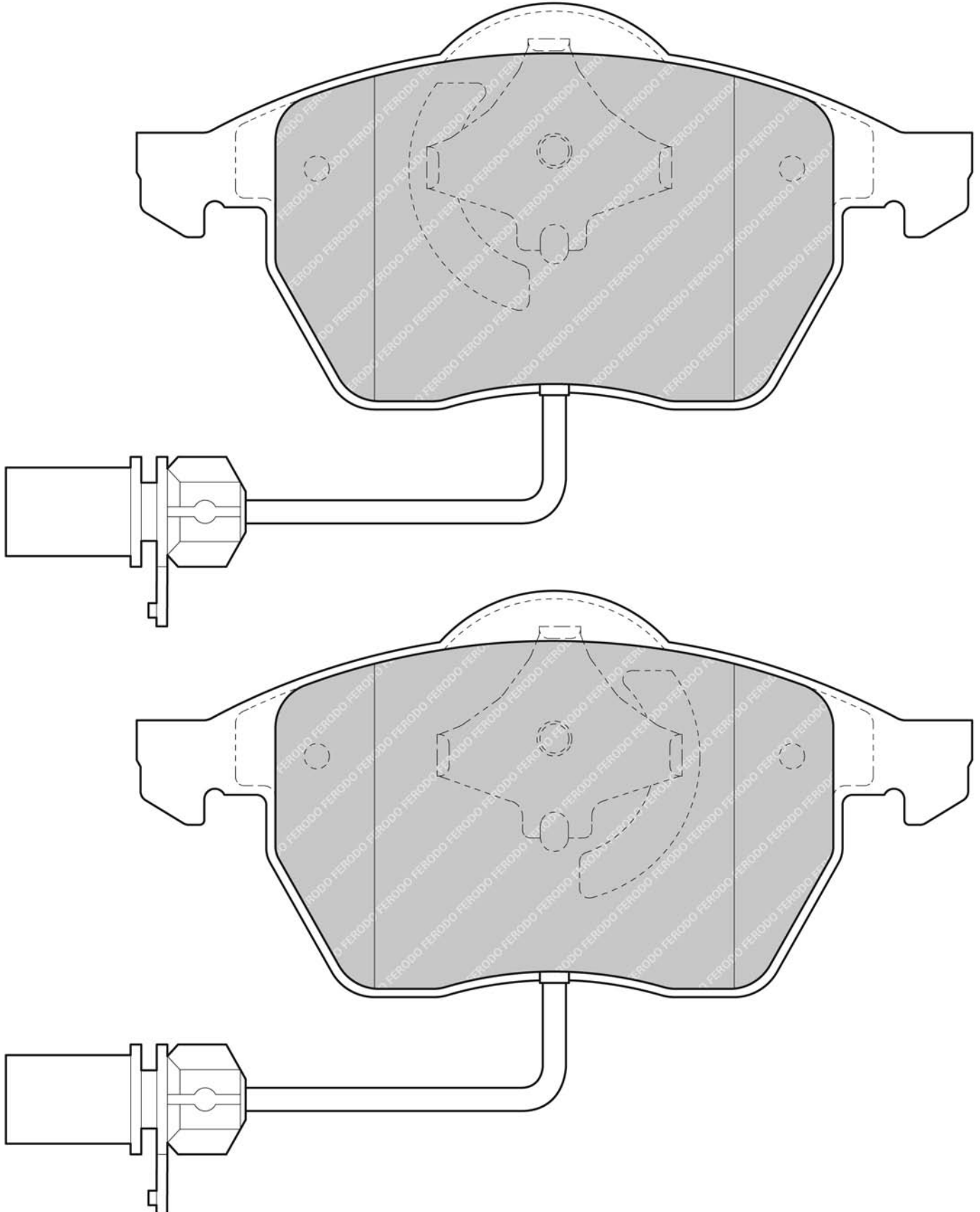
MERCEDES BENZ



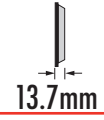
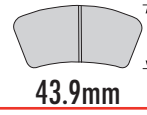
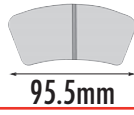
FDB 1323



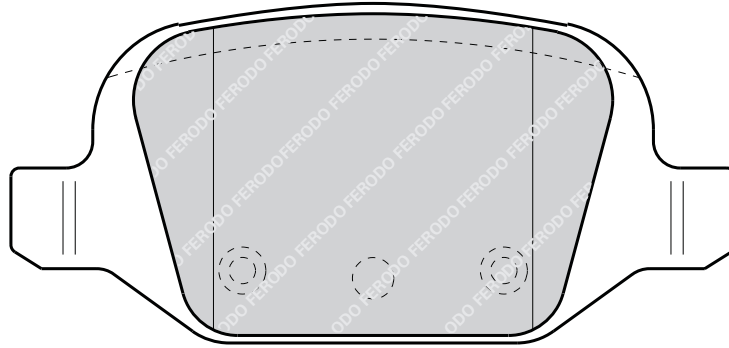
AUDI, VOLKSWAGEN



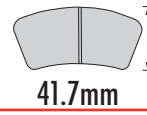
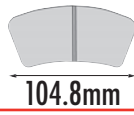
FDB 1324



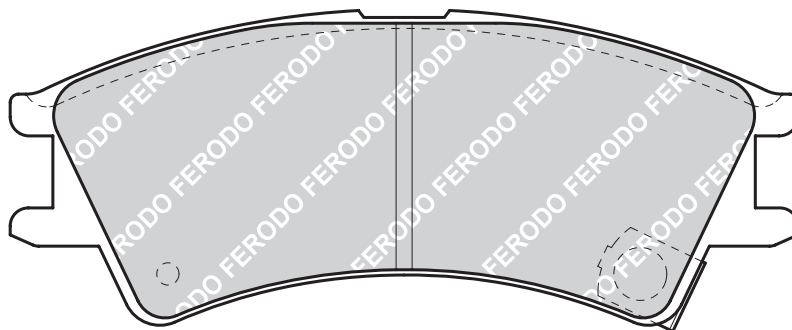
FIAT



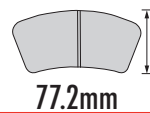
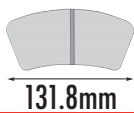
FDB 1326



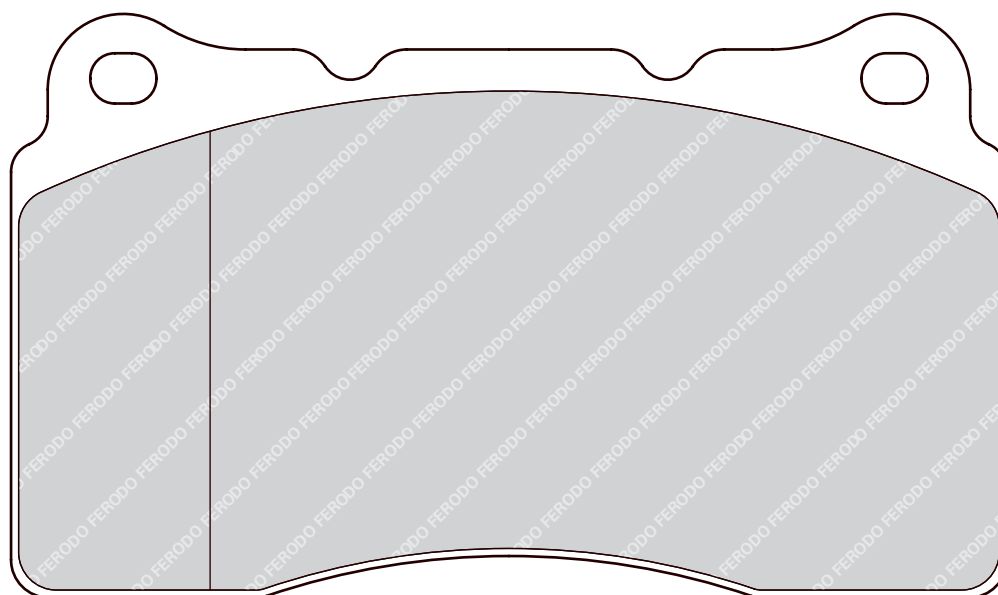
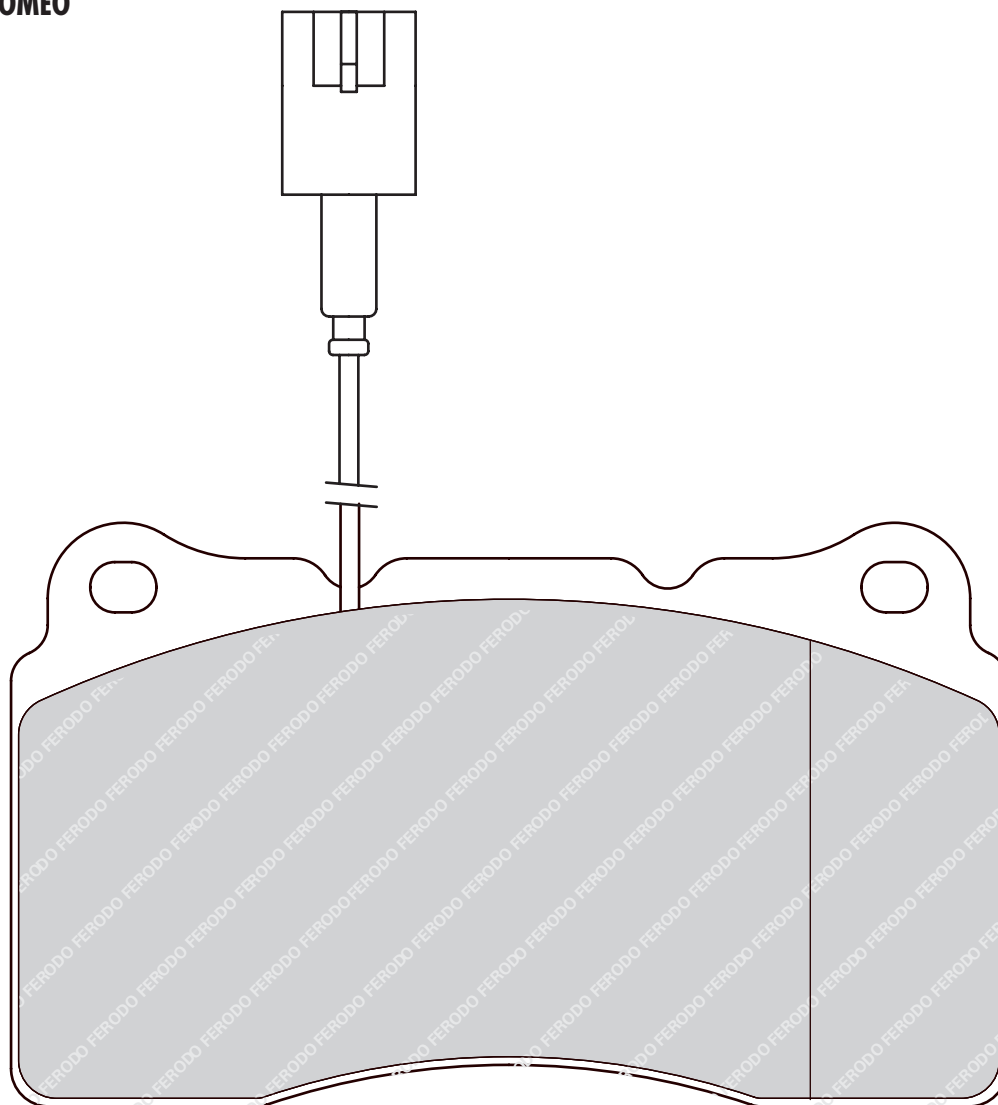
HYUNDAI



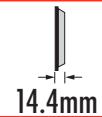
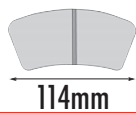
FDB 1334



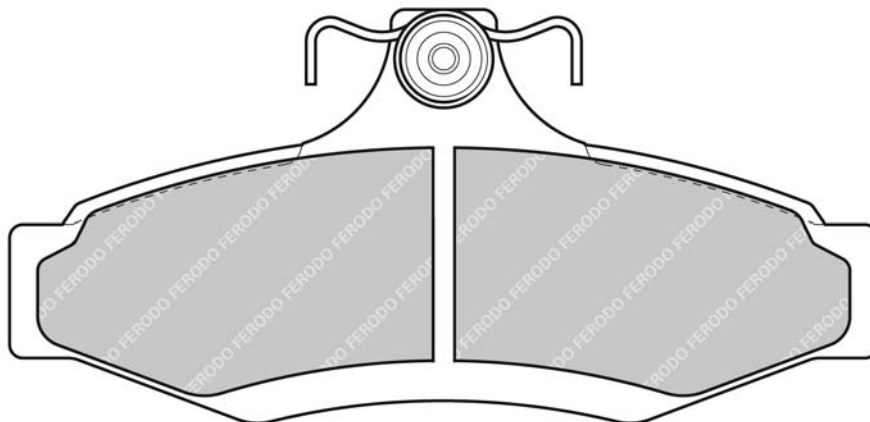
ALFA ROMEO



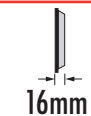
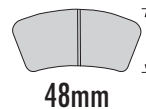
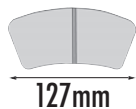
FDB 1336



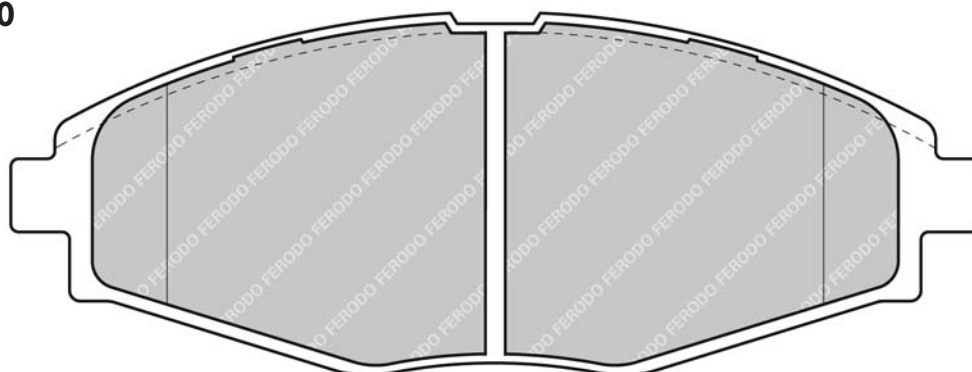
DAEWOO



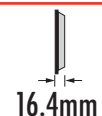
FDB 1337



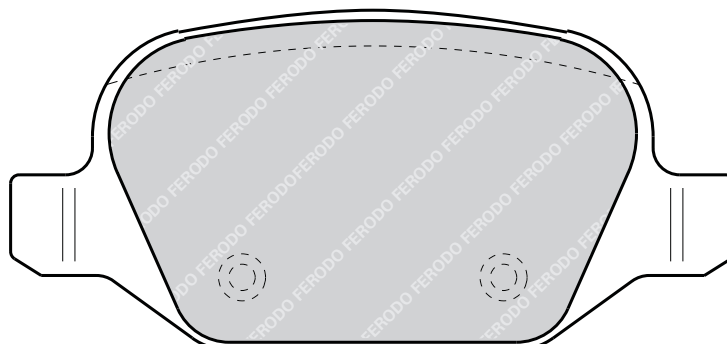
DAEWOO



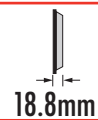
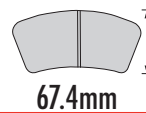
FDB 1349



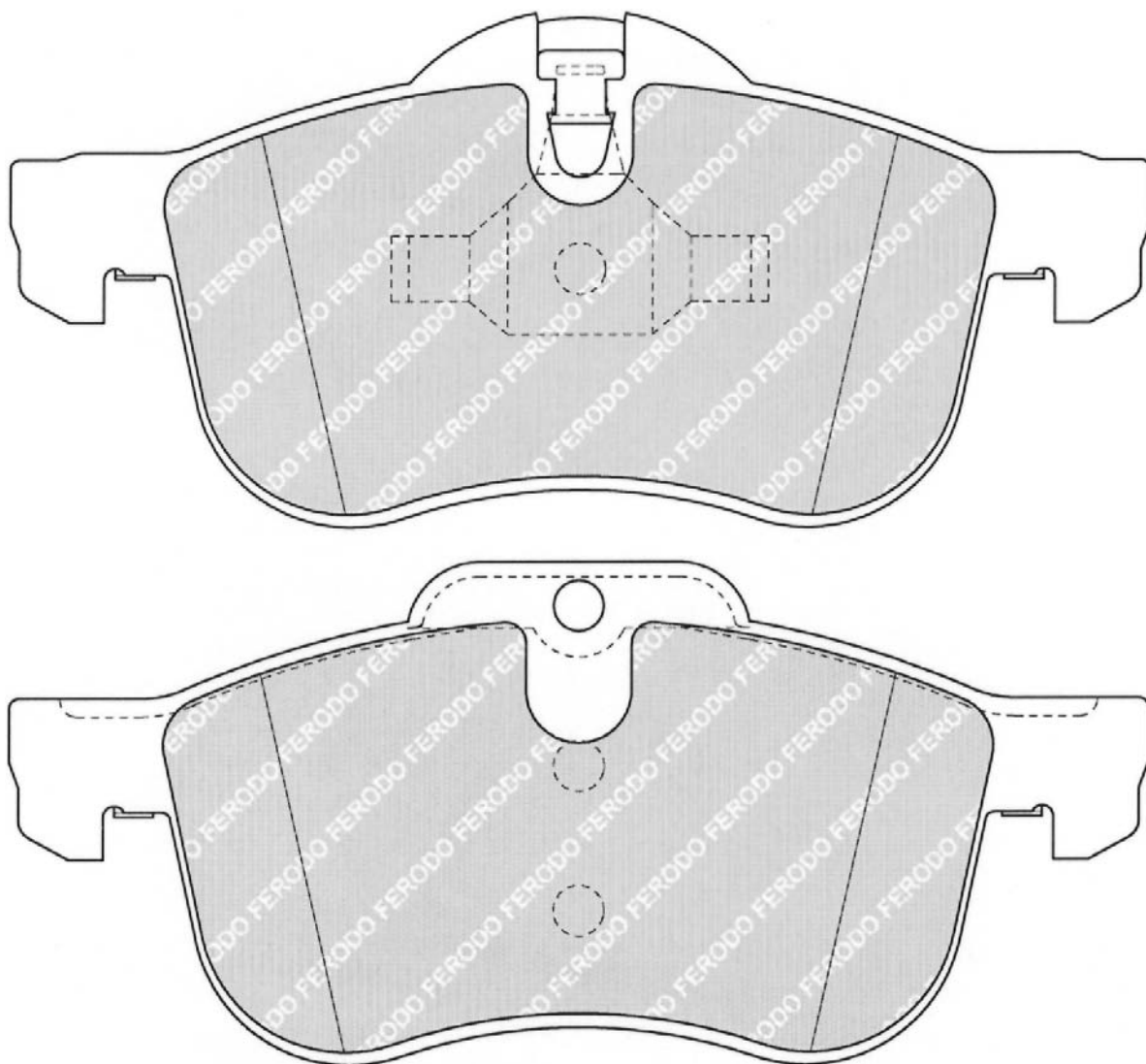
ALFA ROMEO



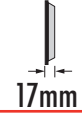
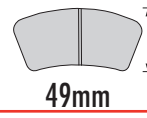
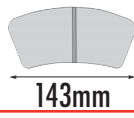
FDB 1355



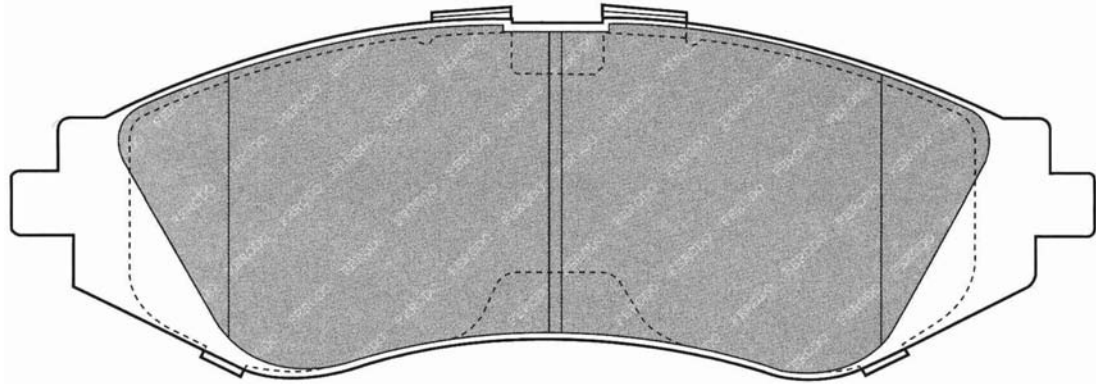
ROVER



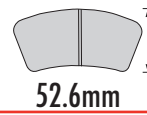
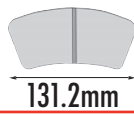
FDB 1369



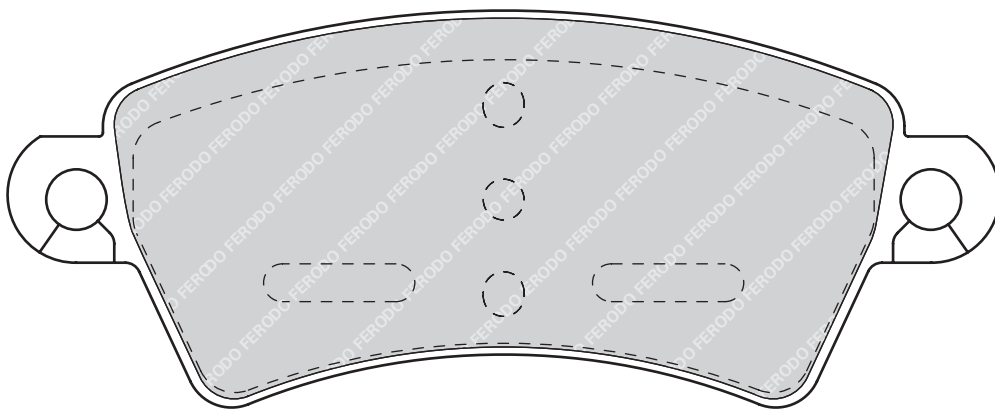
CHEVROLET, DAEWOO



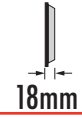
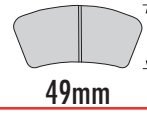
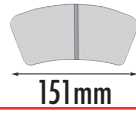
FDB 1370



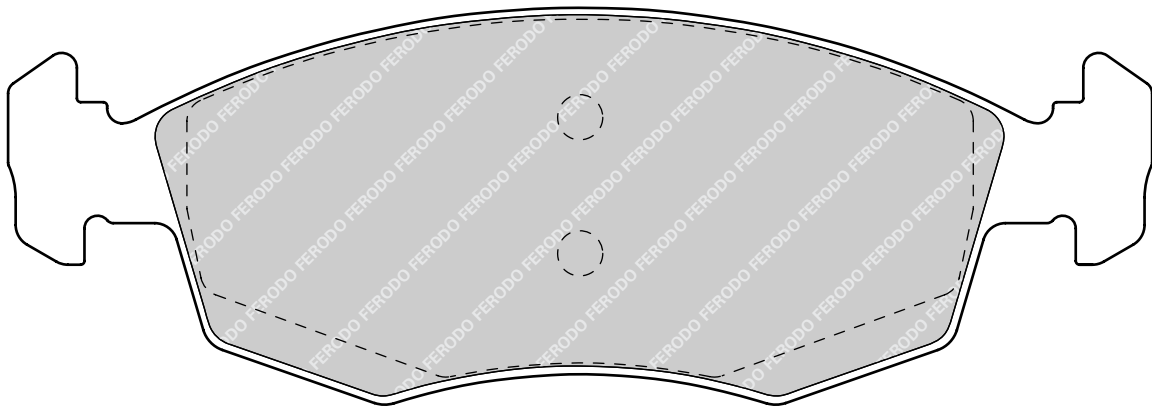
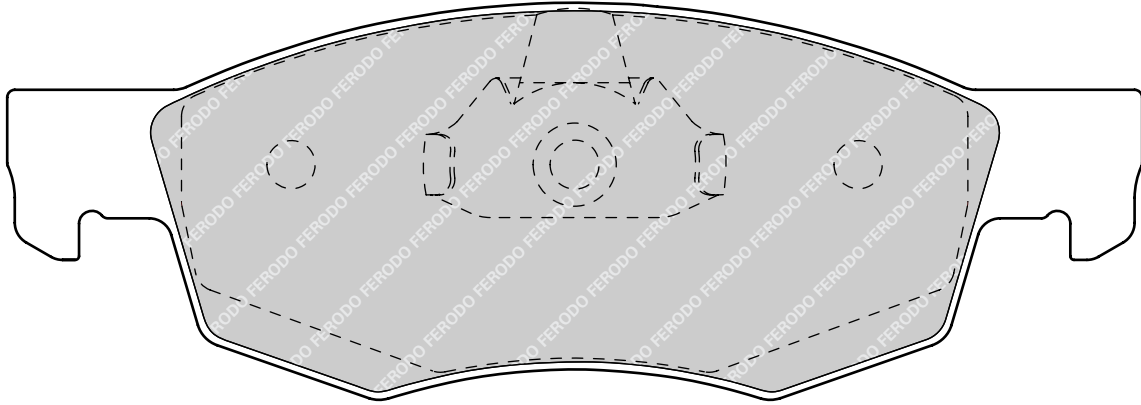
PEUGEOT



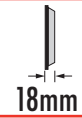
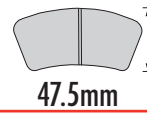
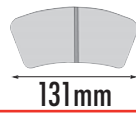
FDB1376



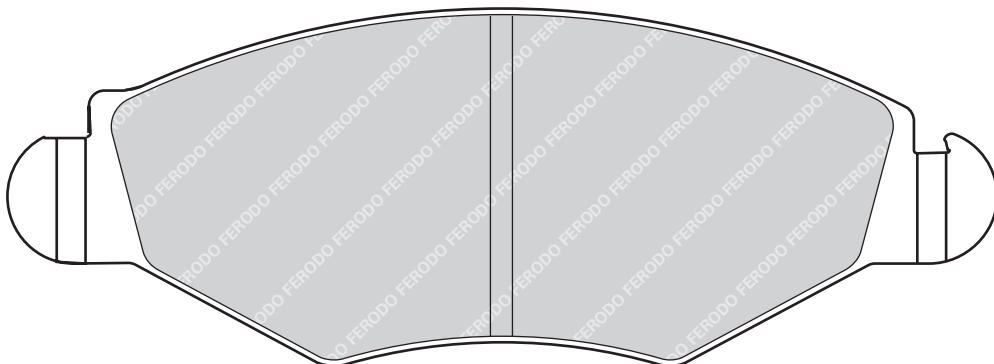
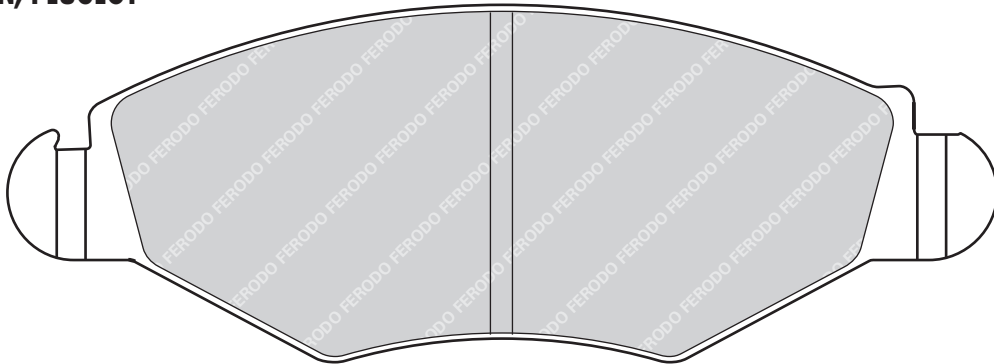
FIAT/NISSAN NP200



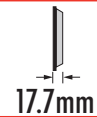
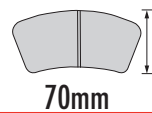
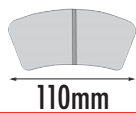
FDB1378



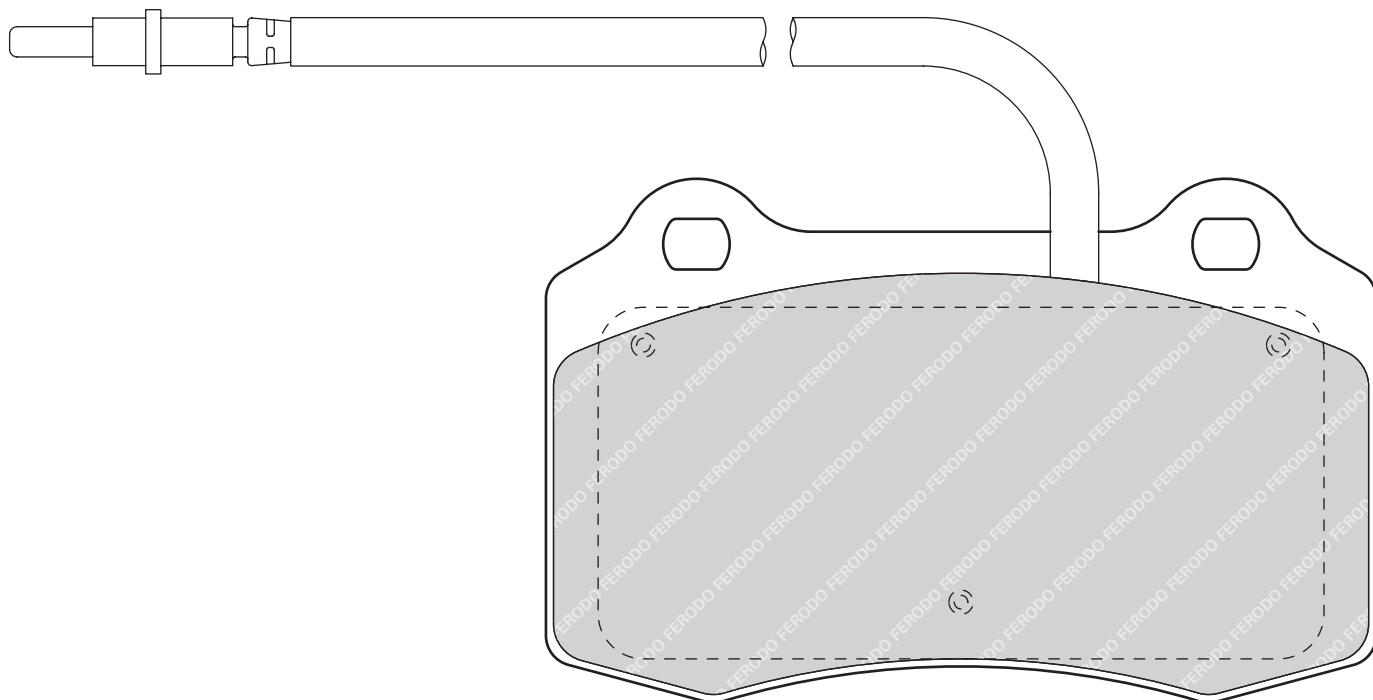
CITROEN, PEUGEOT



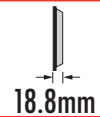
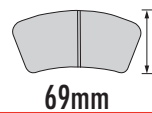
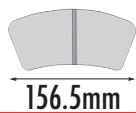
FDB1379



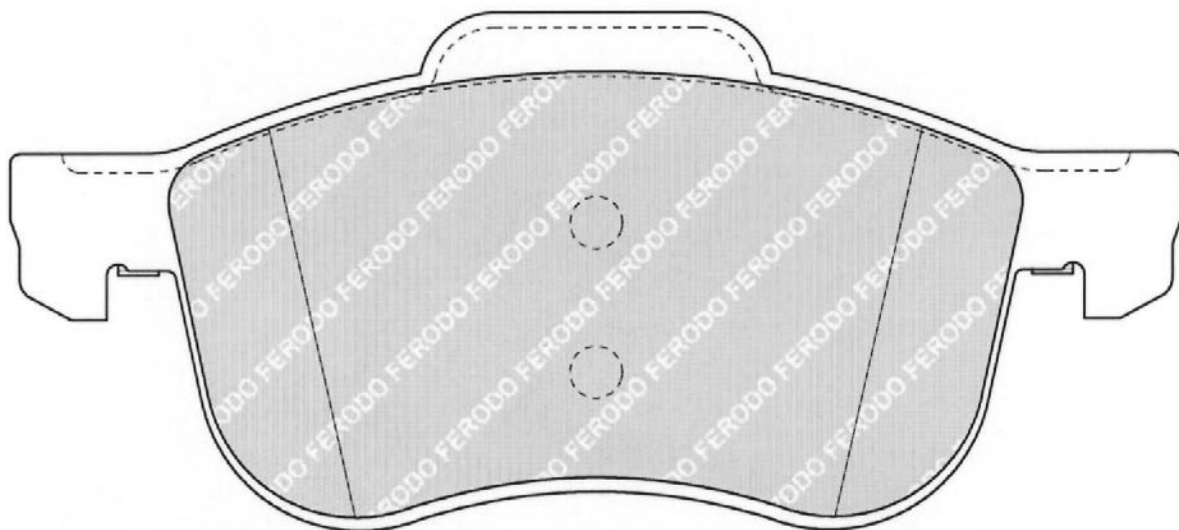
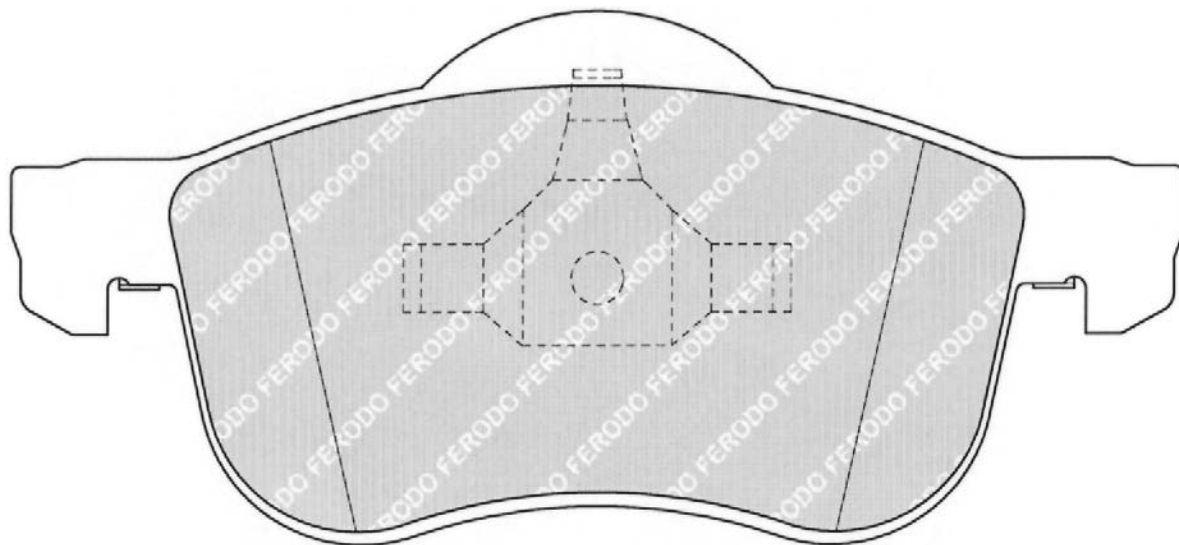
PEUGEOT



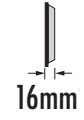
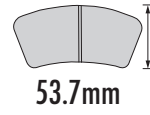
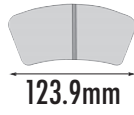
FDB 1382



VOLVO

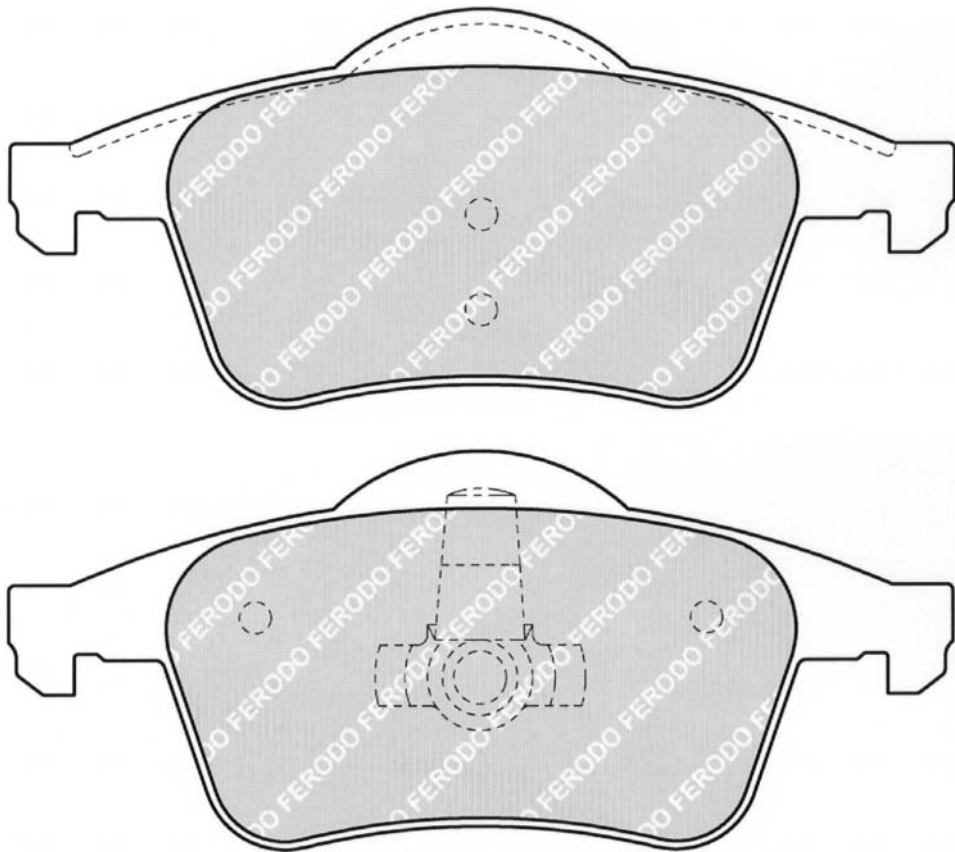


FDB 1383

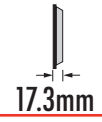
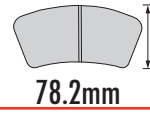
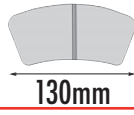


2 Inners, 2 Outers

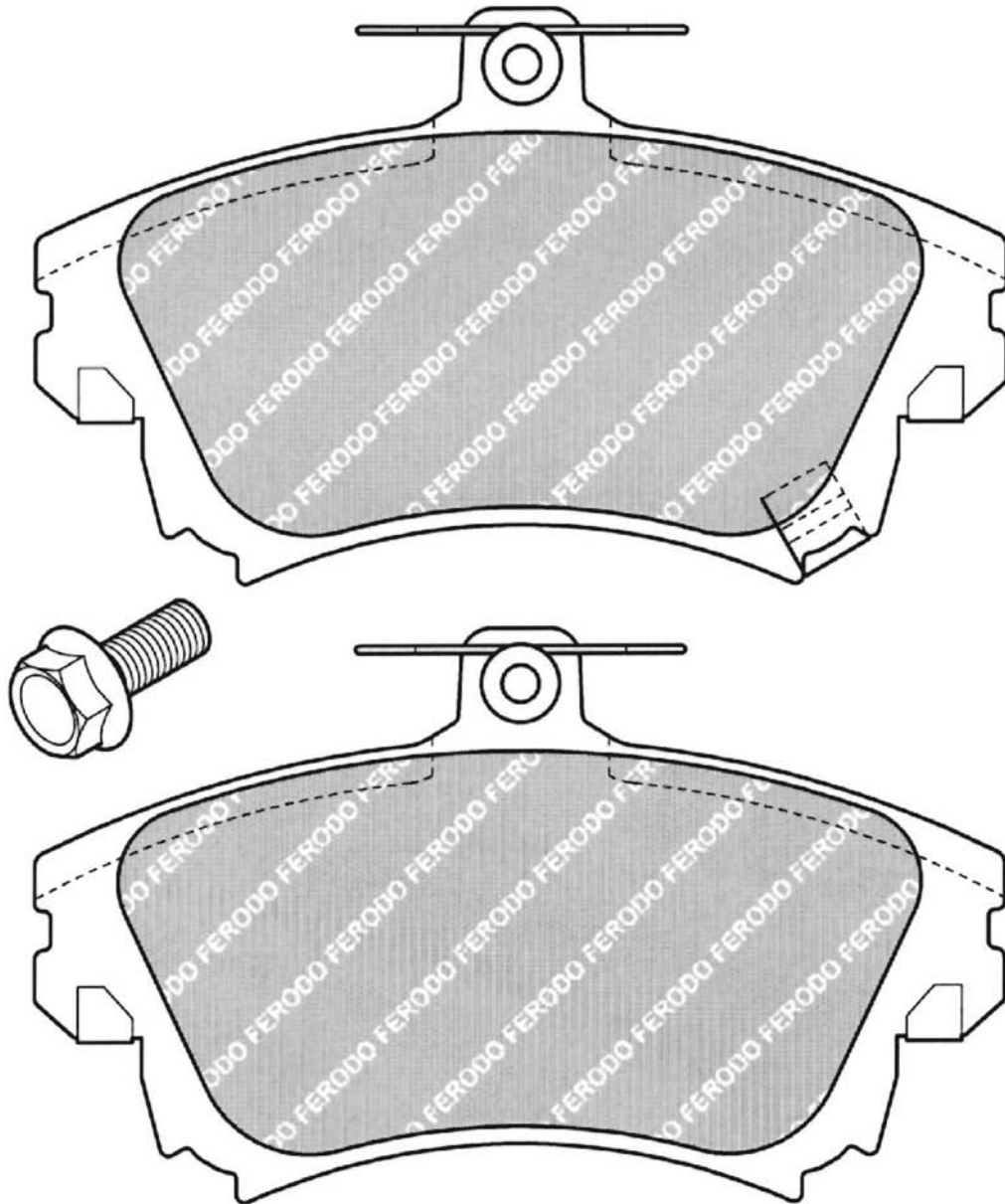
VOLVO



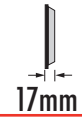
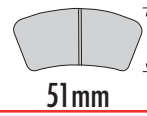
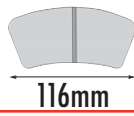
FDB 1384



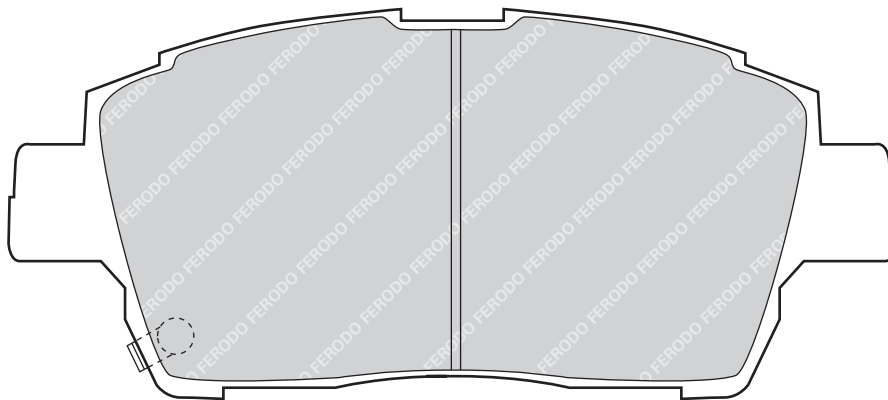
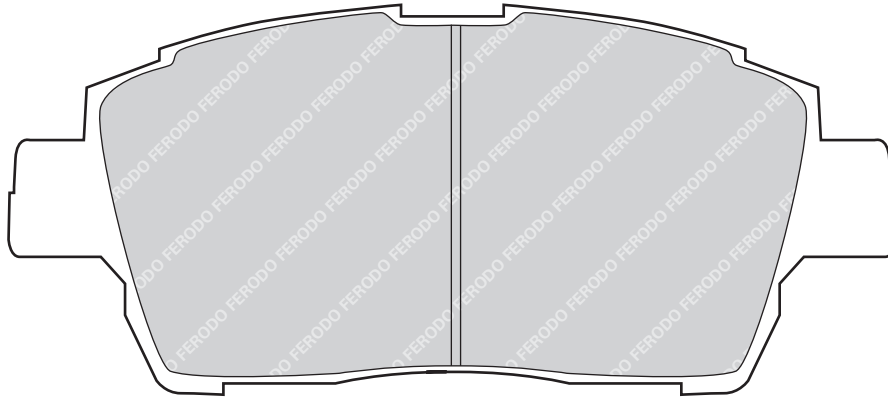
VOLVO



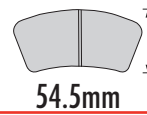
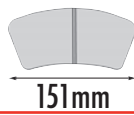
FDB 1392



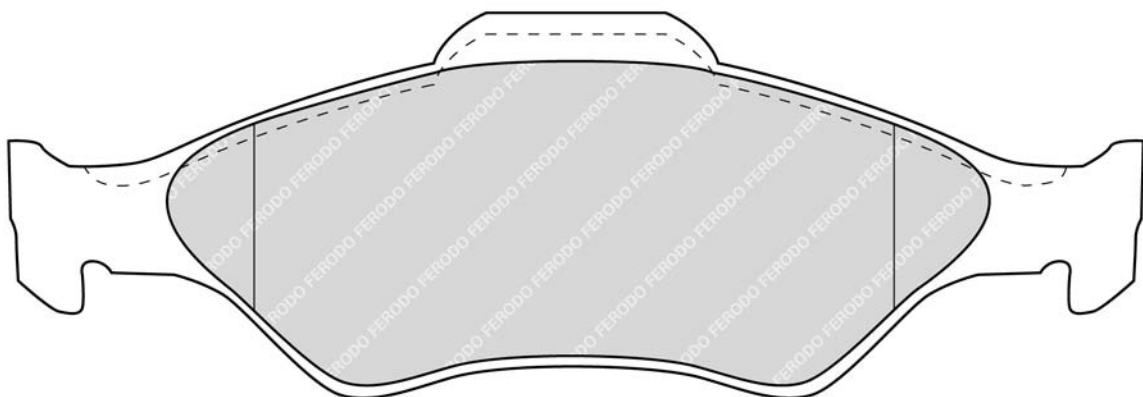
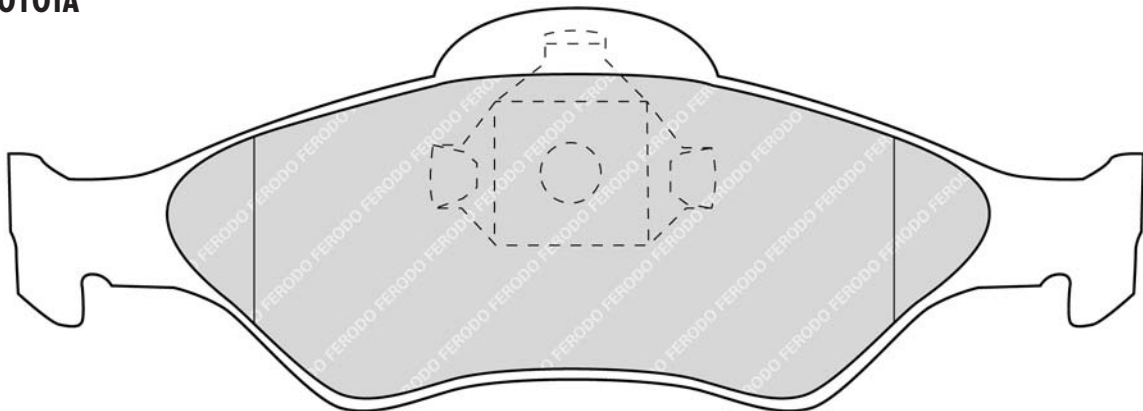
TOYOTA



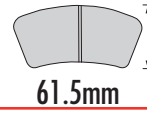
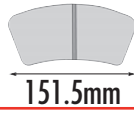
FDB 1393



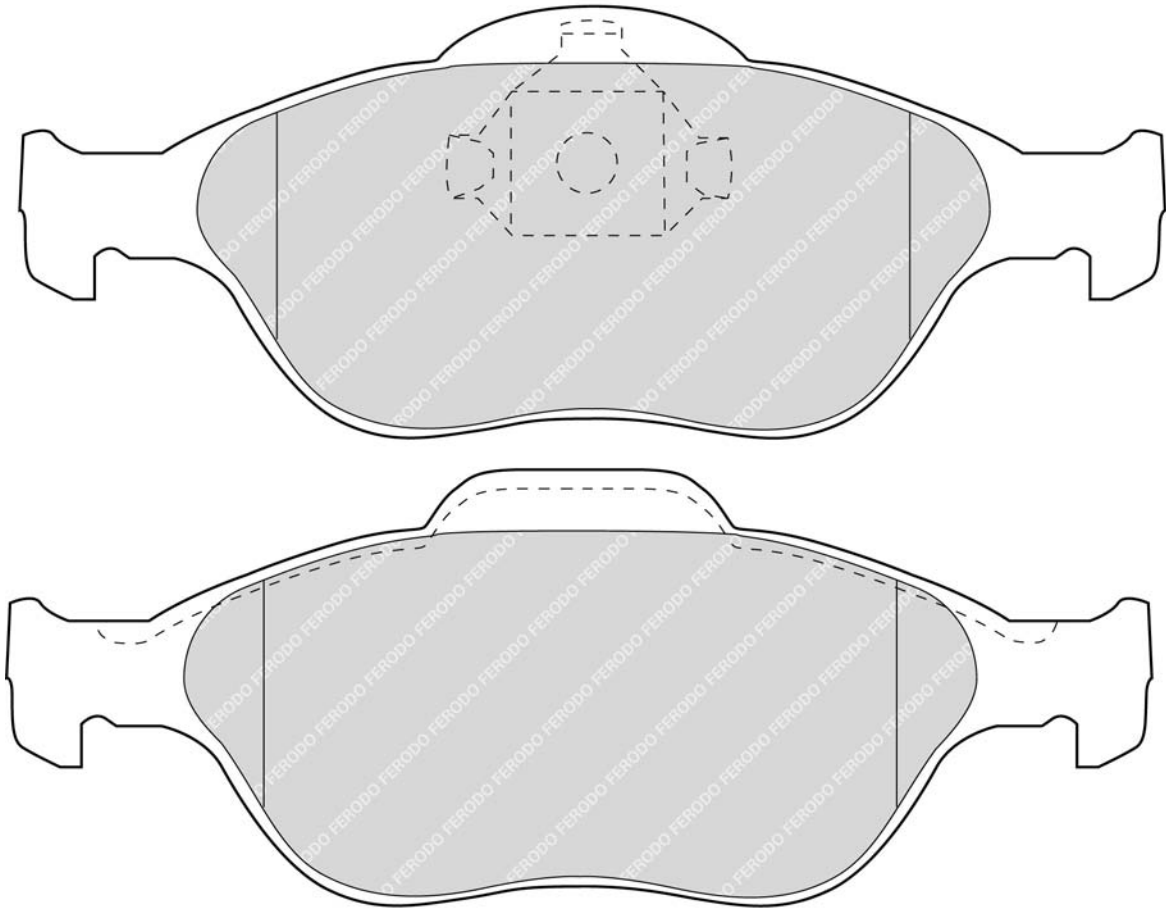
TOYOTA



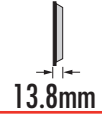
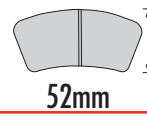
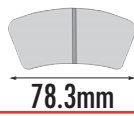
FDB1394



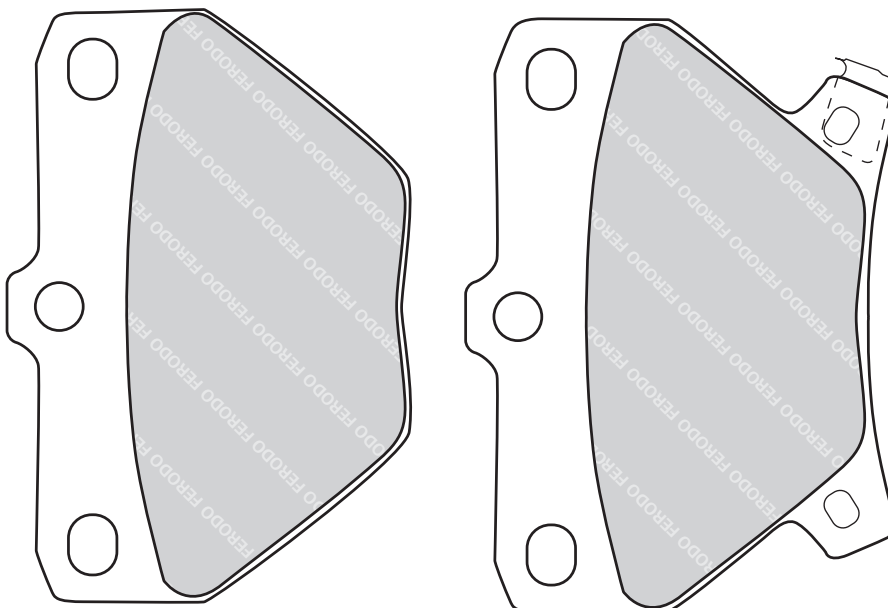
FORD



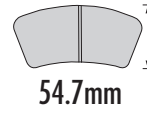
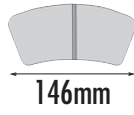
FDB1395



TOYOTA

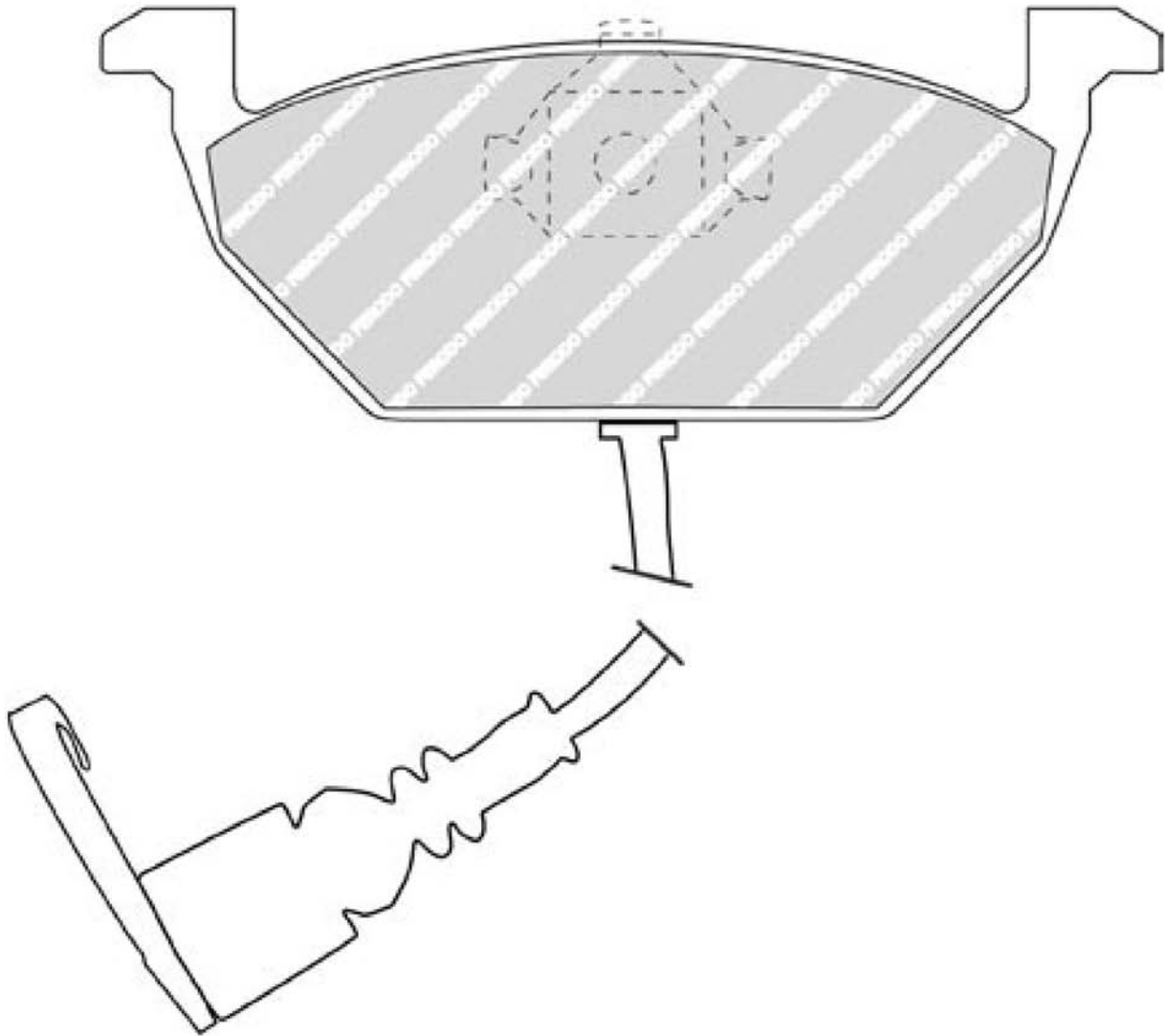


FDB 1398

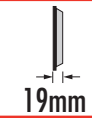
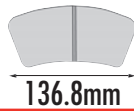


1 Wear Indicator Per Set

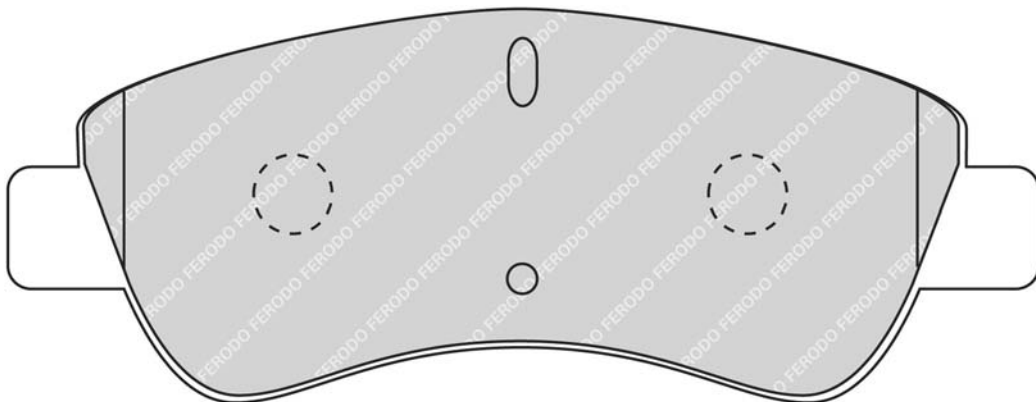
AUDI, VOLKSWAGEN



FDB 1399



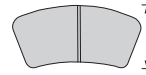
CITROEN, PEUGEOT



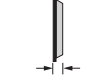
FDB1400



188mm

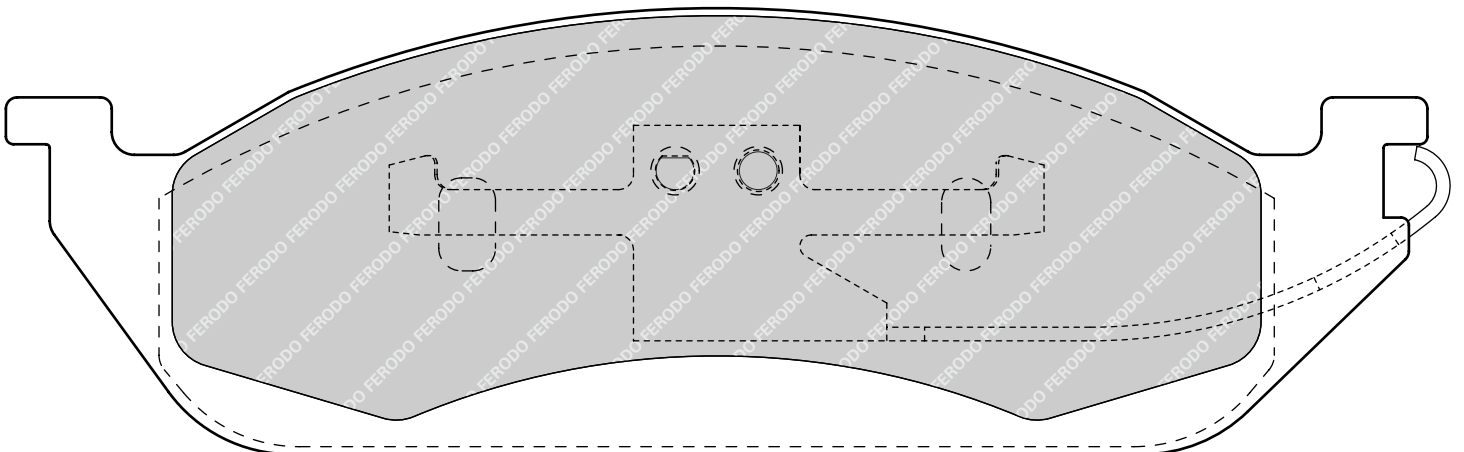
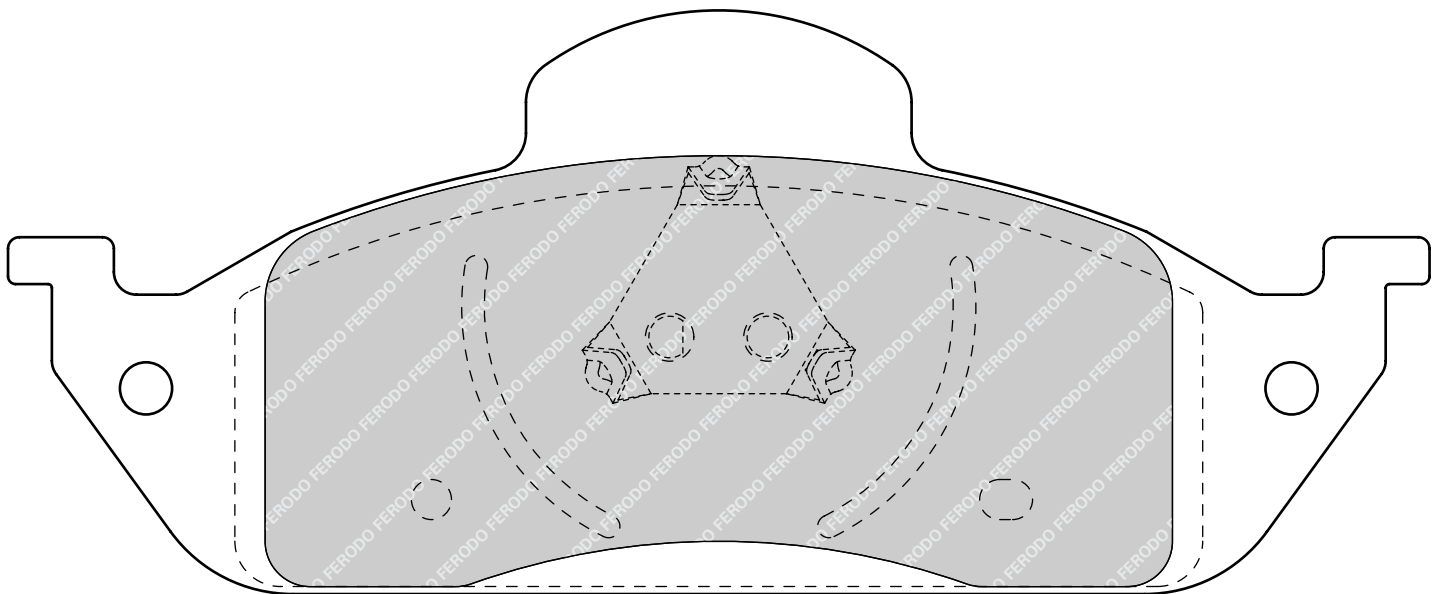
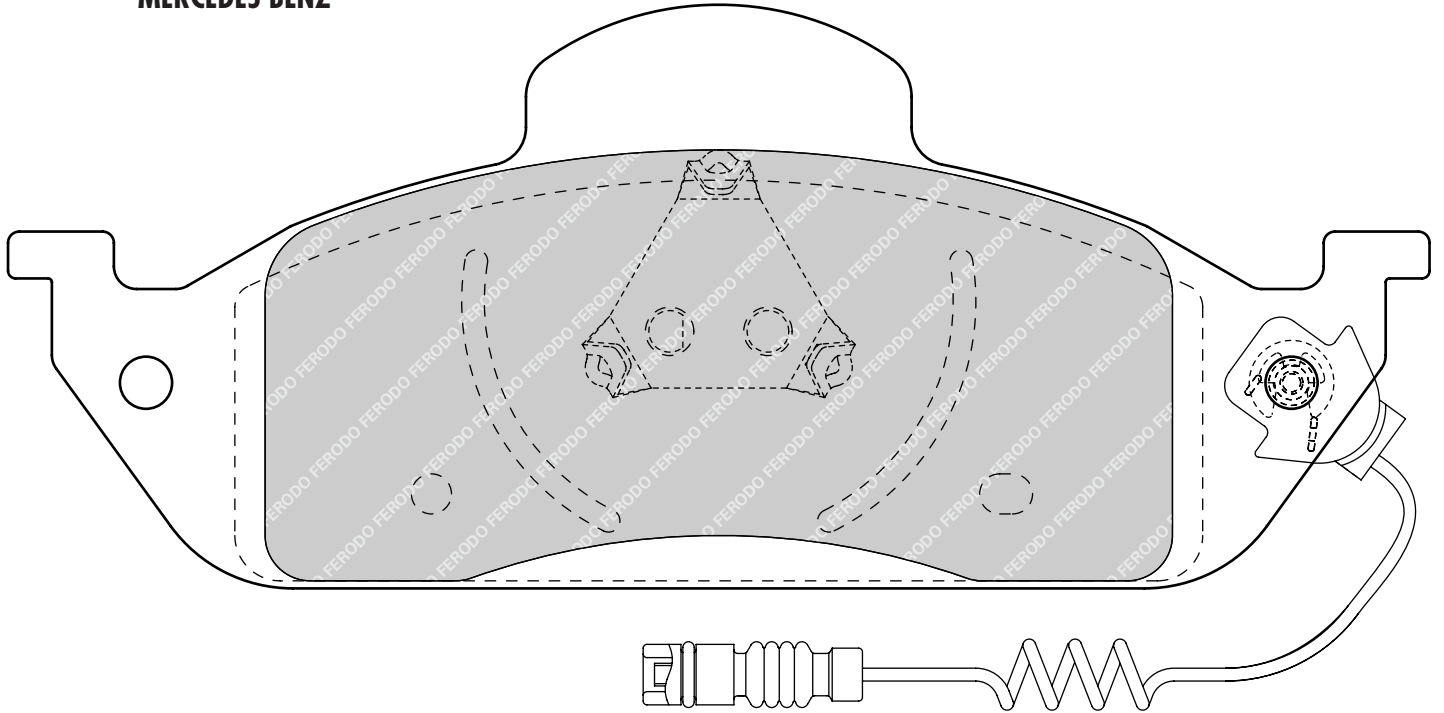


77mm

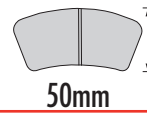
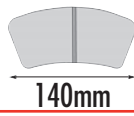


17.3mm

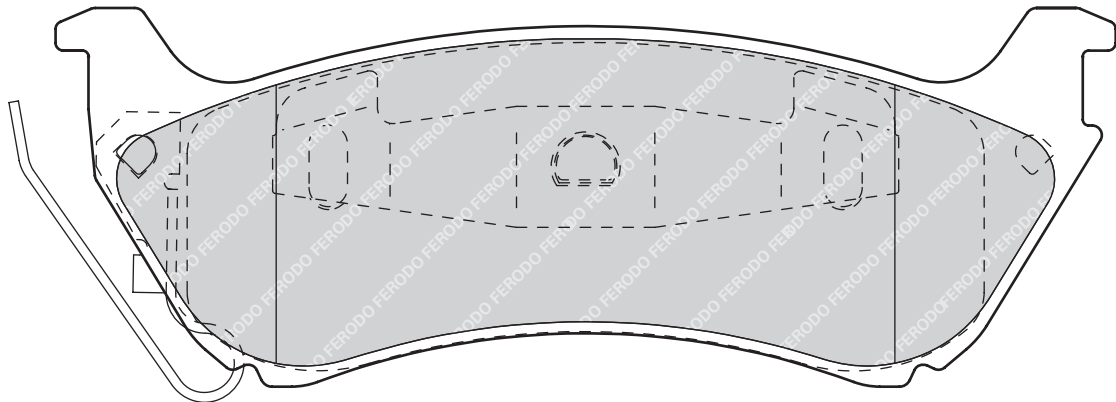
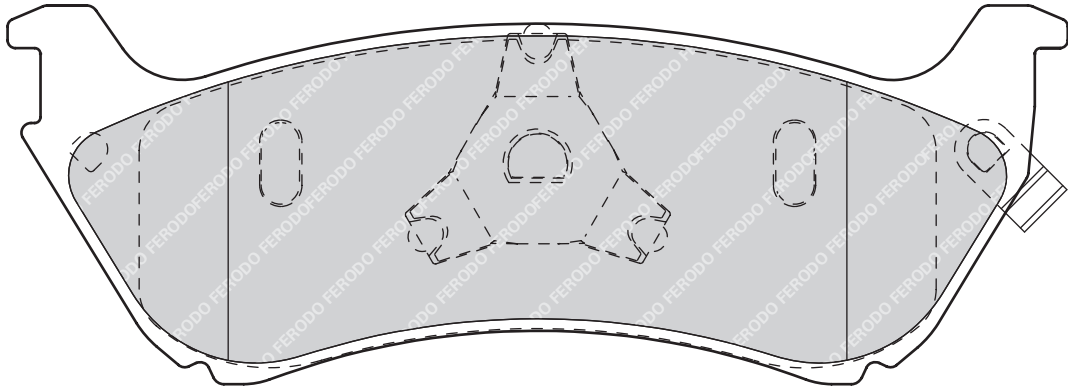
MERCEDES BENZ



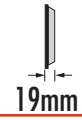
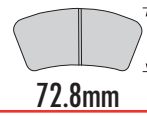
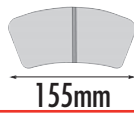
FDB1401



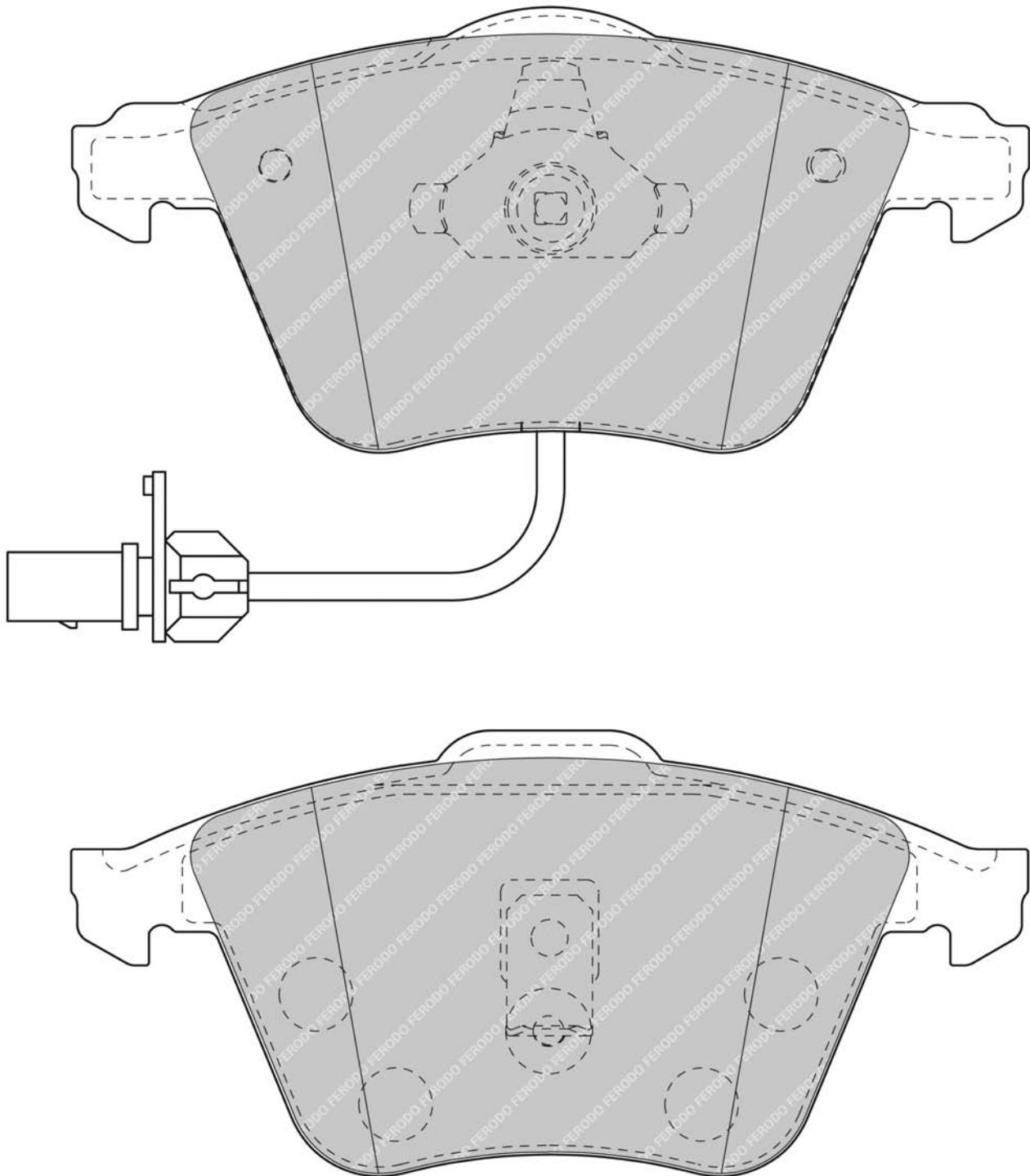
MERCEDES BENZ



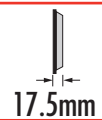
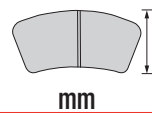
FDB1407



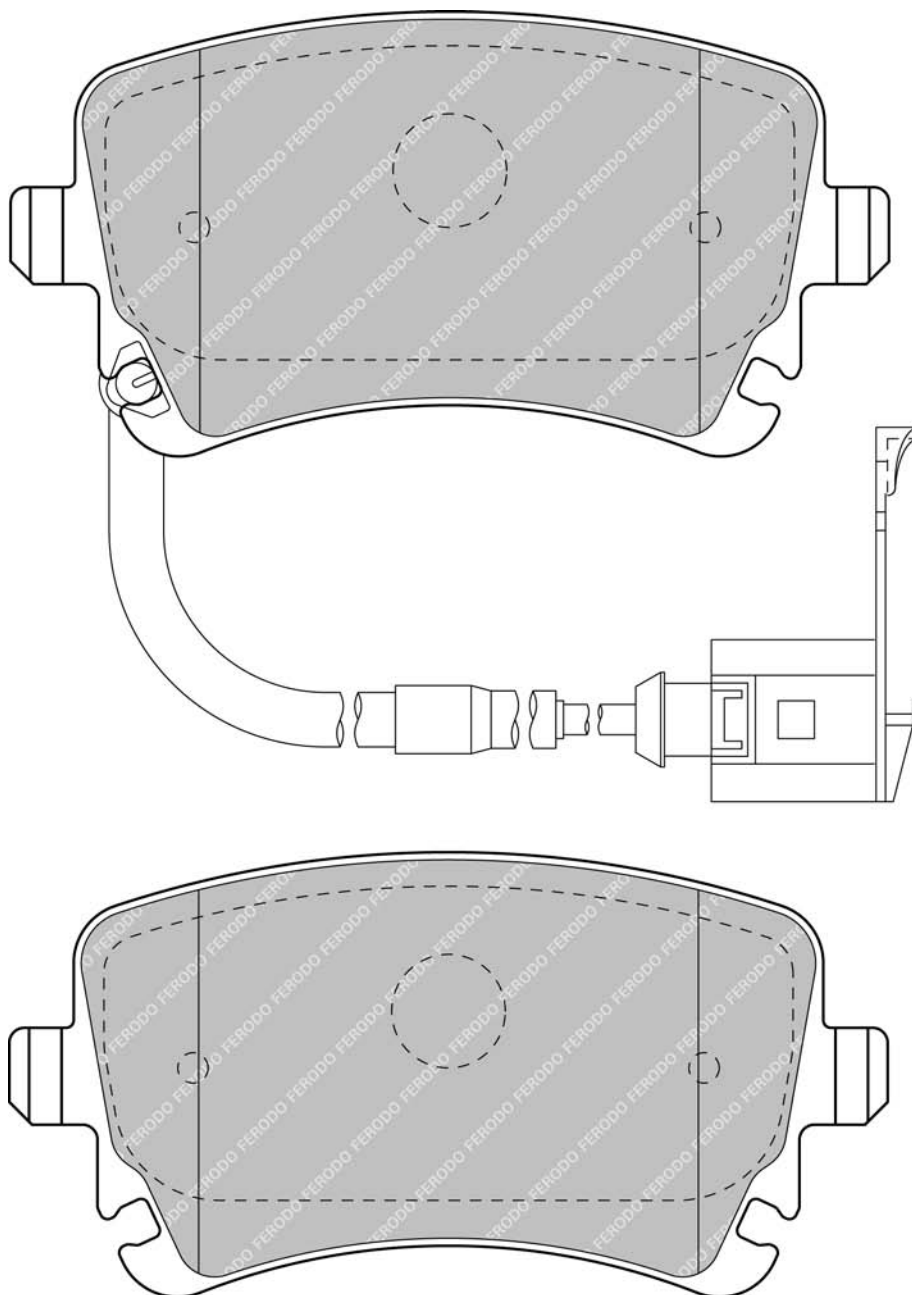
AUDI



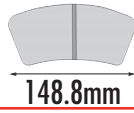
FDB1408



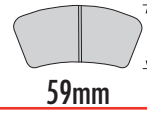
AUDI



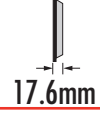
FDB1411



148.8mm

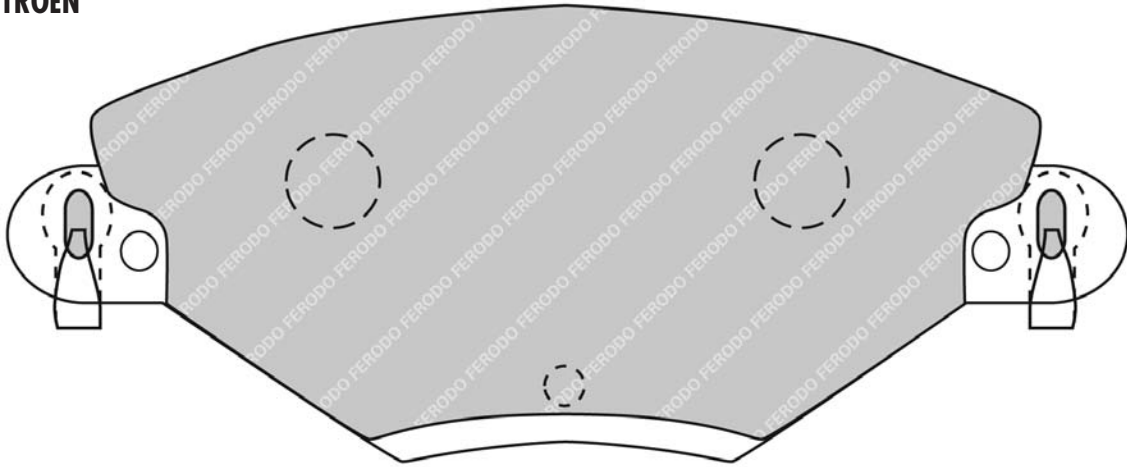


59mm

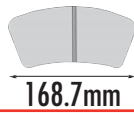


17.6mm

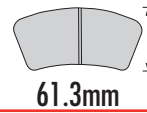
CITROEN



FDB1412



168.7mm

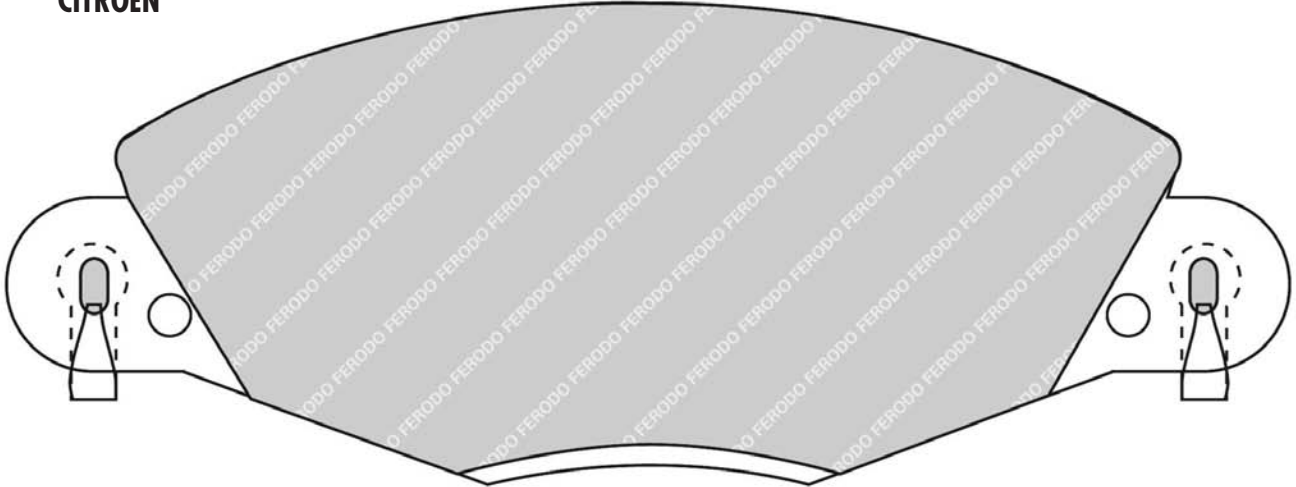


61.3mm

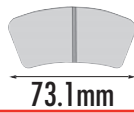


17.8mm

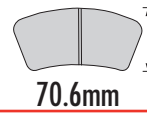
CITROEN



FDB1413



73.1mm

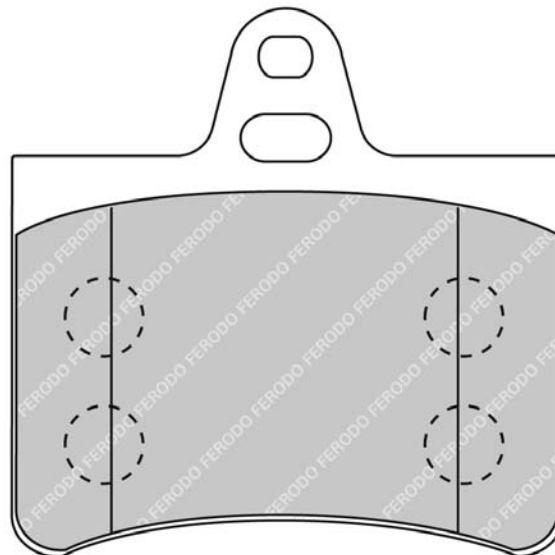


70.6mm

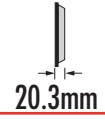
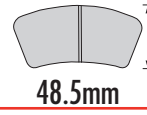
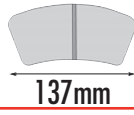


15.2mm

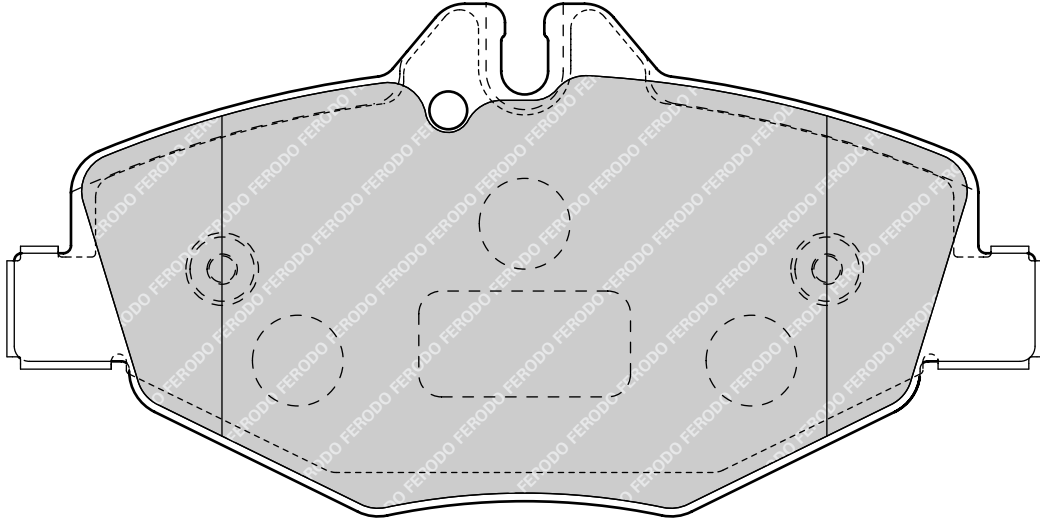
CITROEN



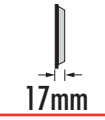
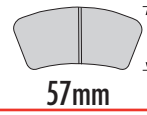
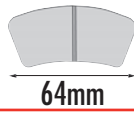
FDB1414



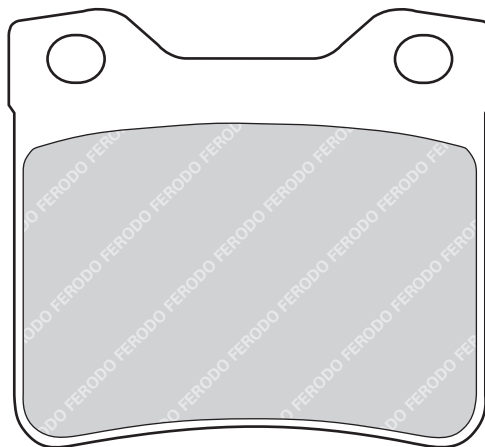
MERCEDES BENZ



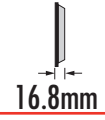
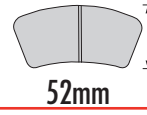
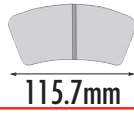
FDB1415



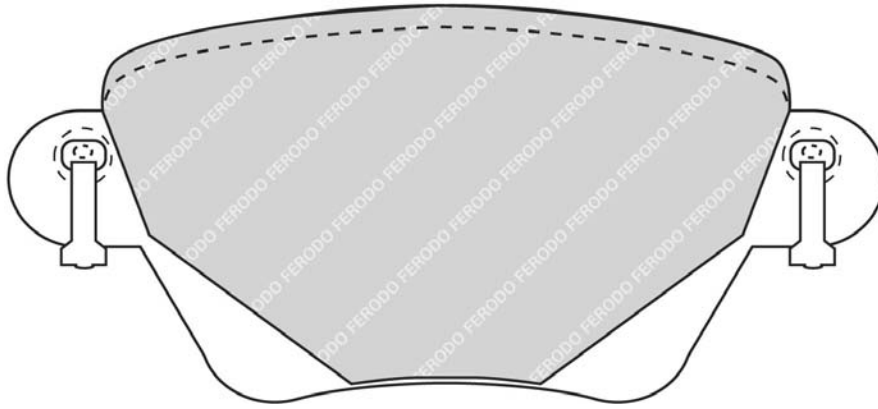
PEUGEOT



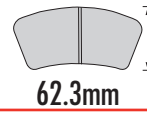
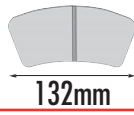
FDB1416



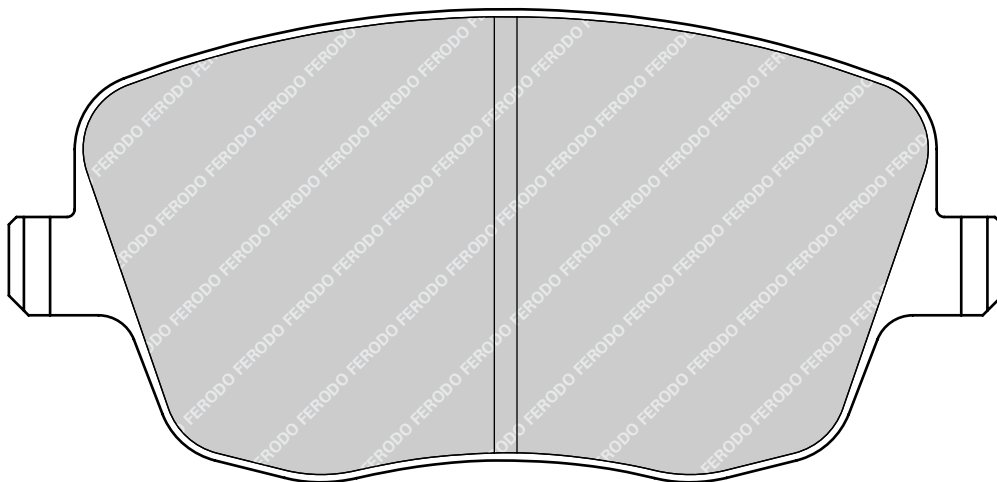
FORD, JAGUAR



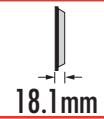
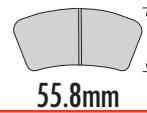
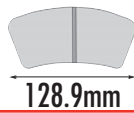
FDB1419



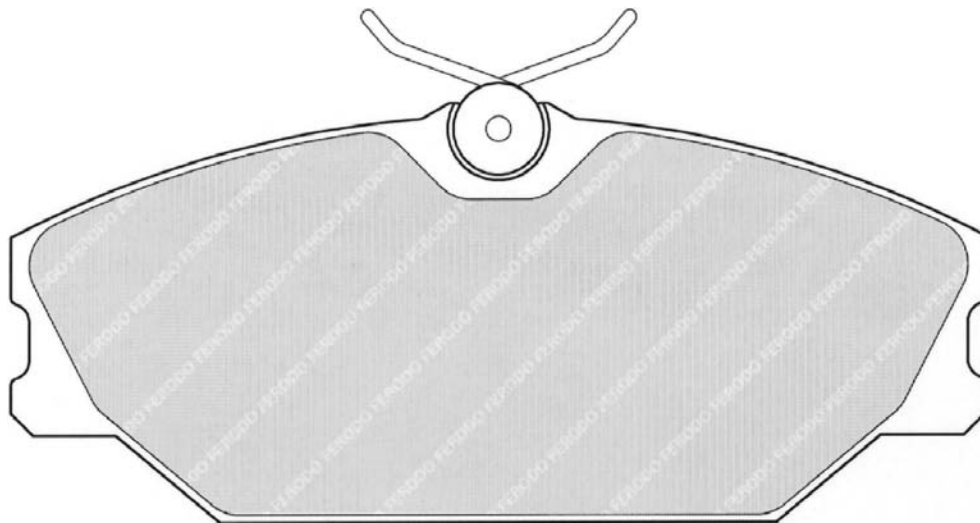
VOLKSWAGEN



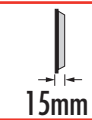
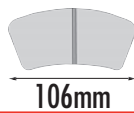
FDB1420



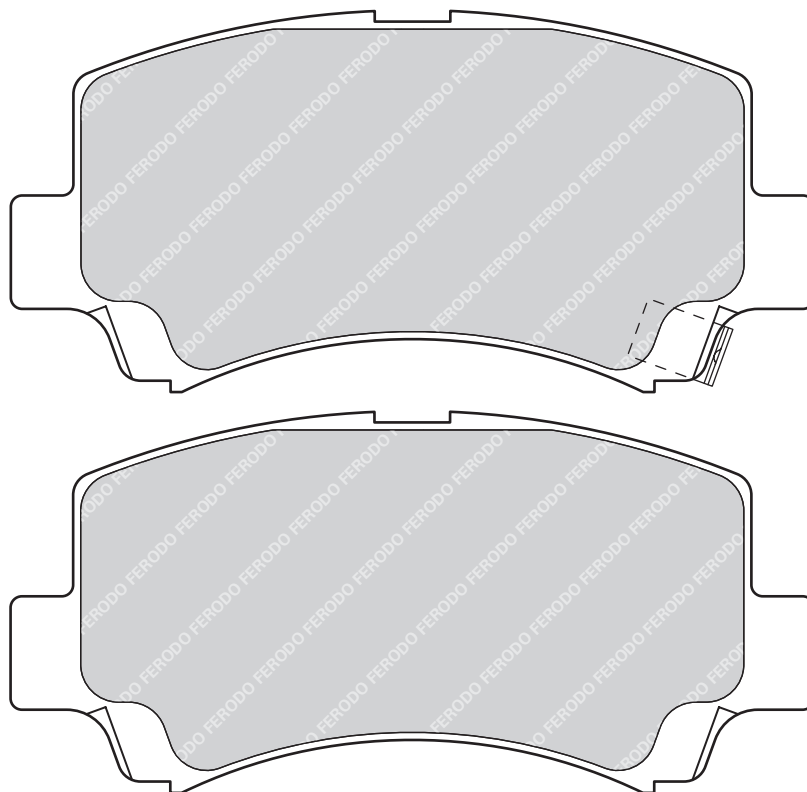
RENAULT



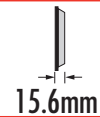
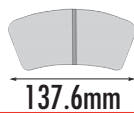
FDB1421



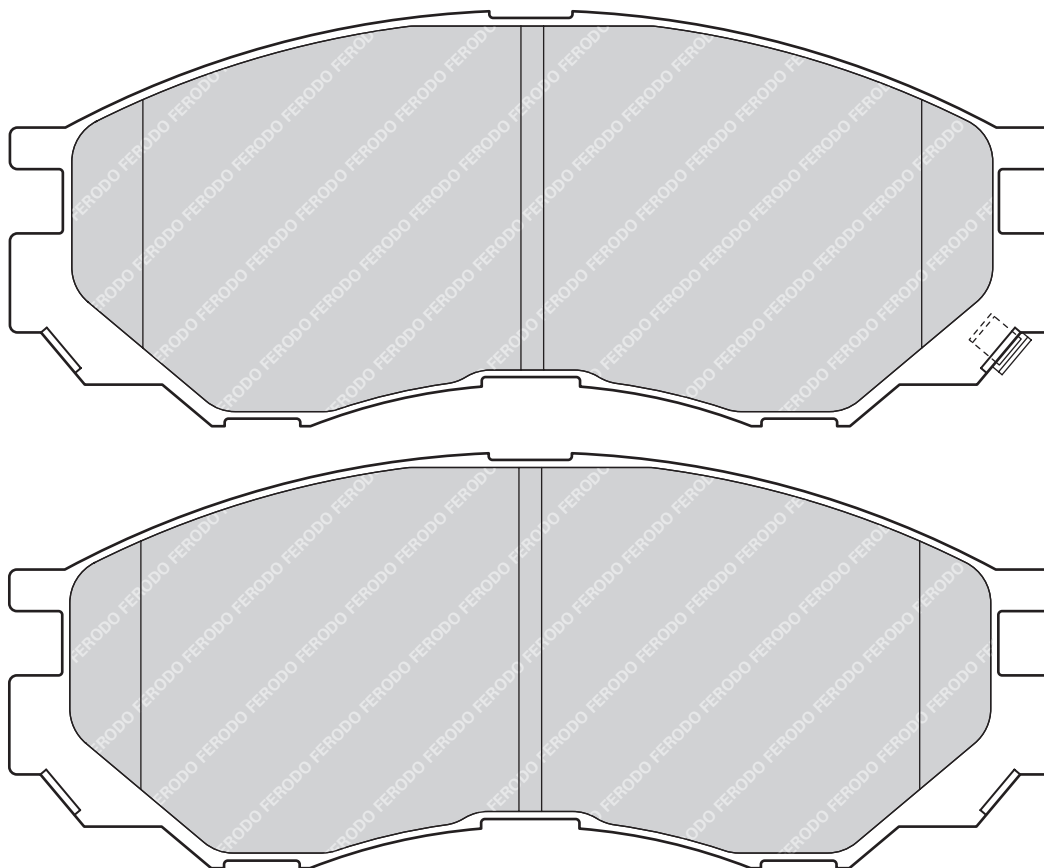
CHANA



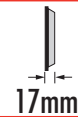
FDB1422



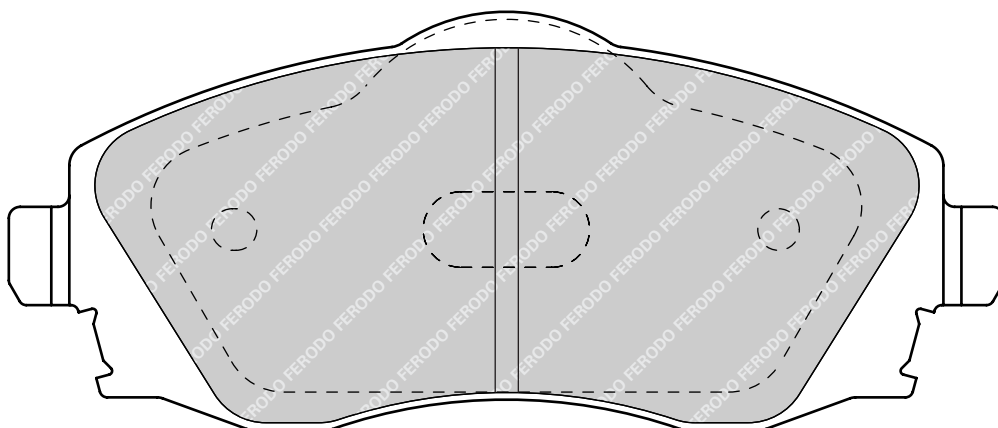
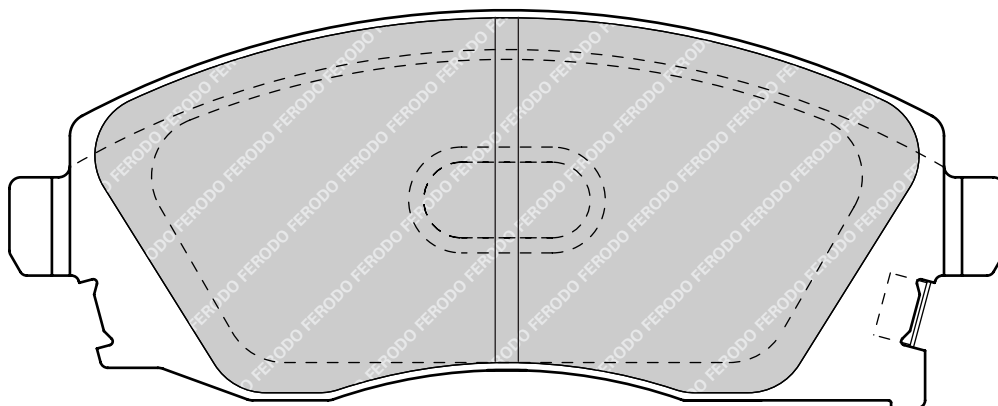
MITSUBISHI



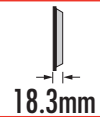
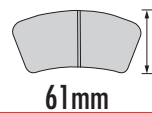
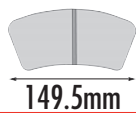
FDB1424



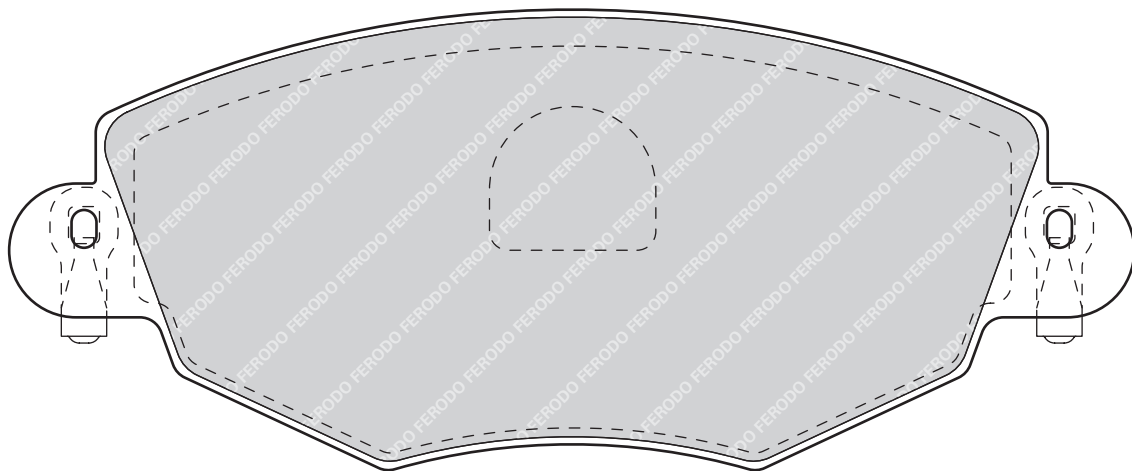
OPEL



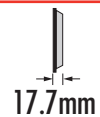
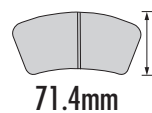
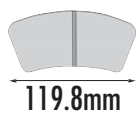
FDB1425



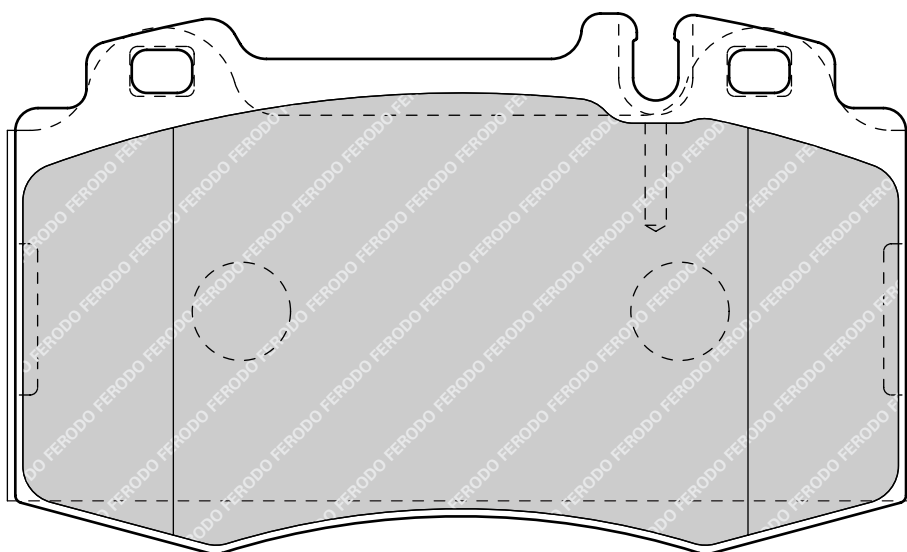
FORD, JAGUAR



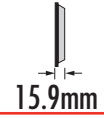
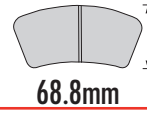
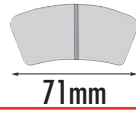
FDB1426



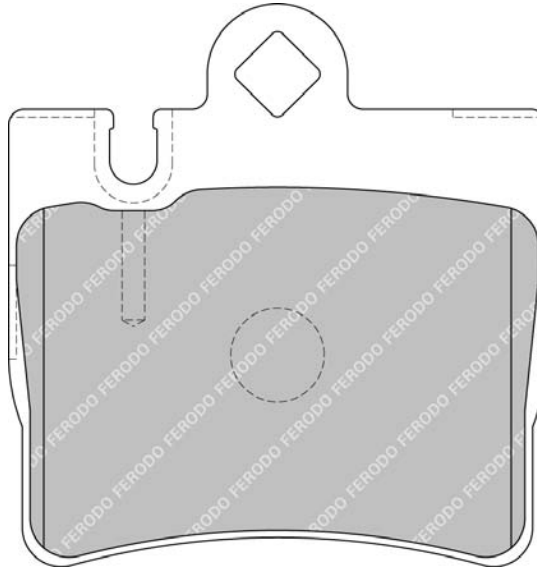
MERCEDES BENZ



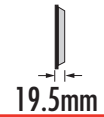
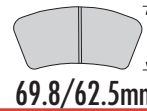
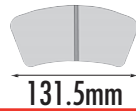
FDB1427



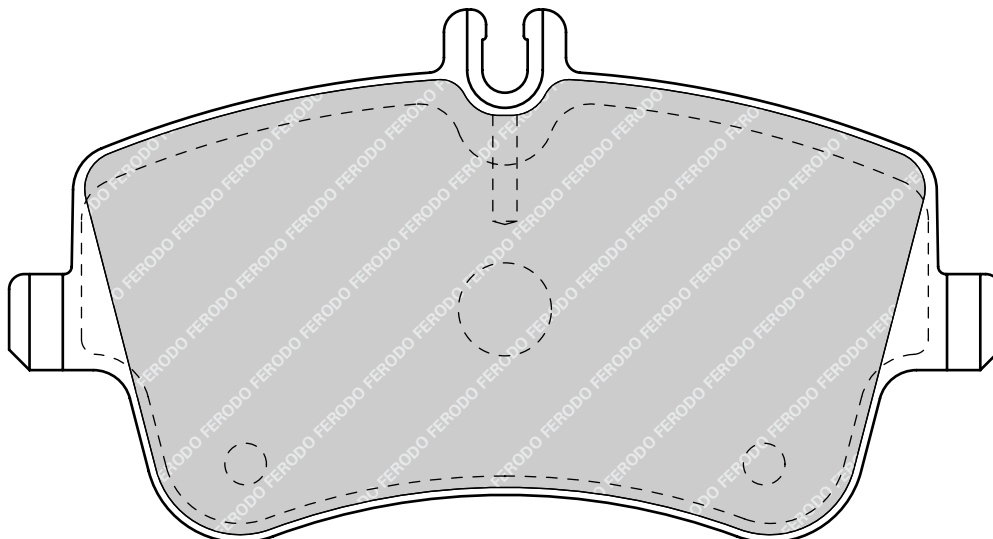
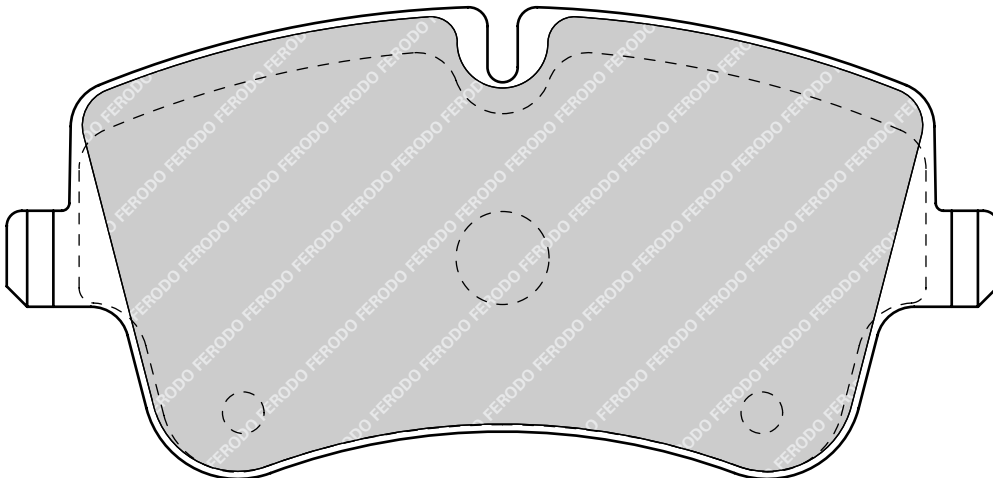
MERCEDES BENZ



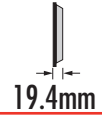
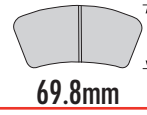
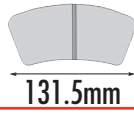
FDB1428



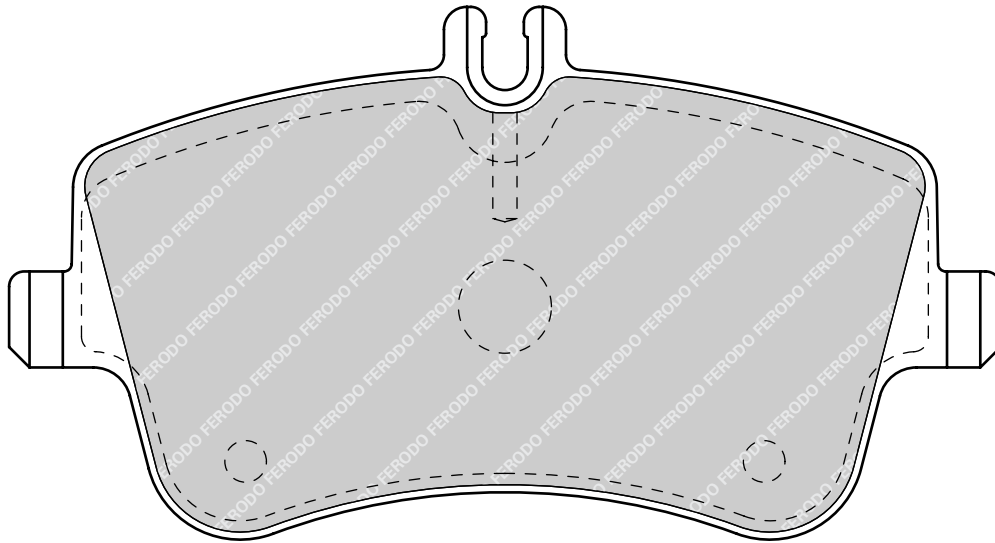
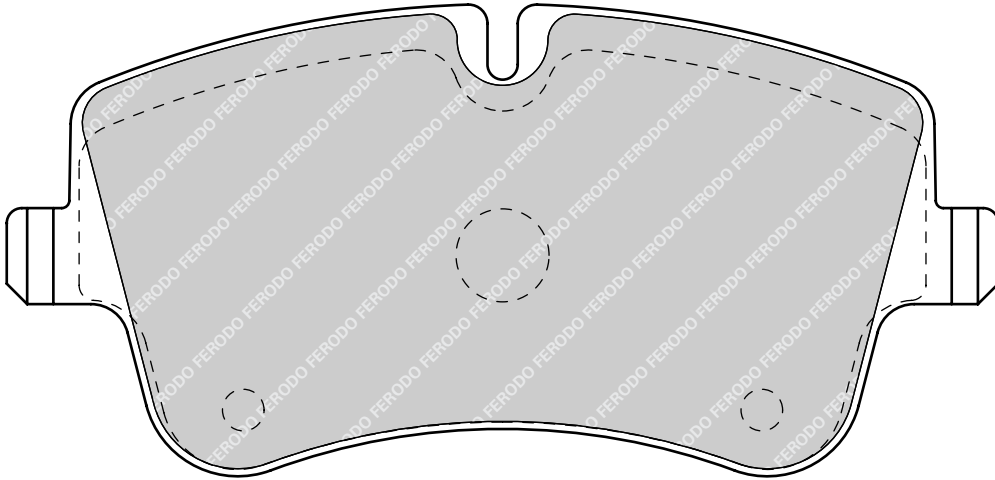
MERCEDES BENZ



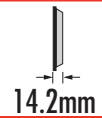
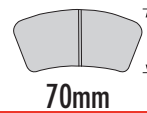
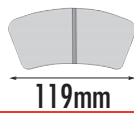
FDB1429



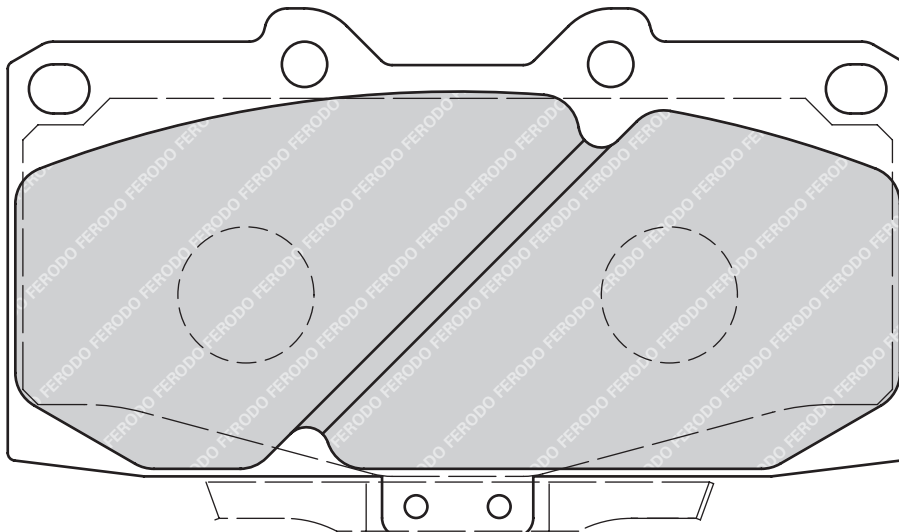
MERCEDES BENZ



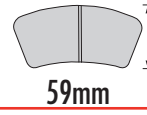
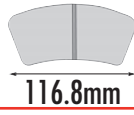
FDB1433



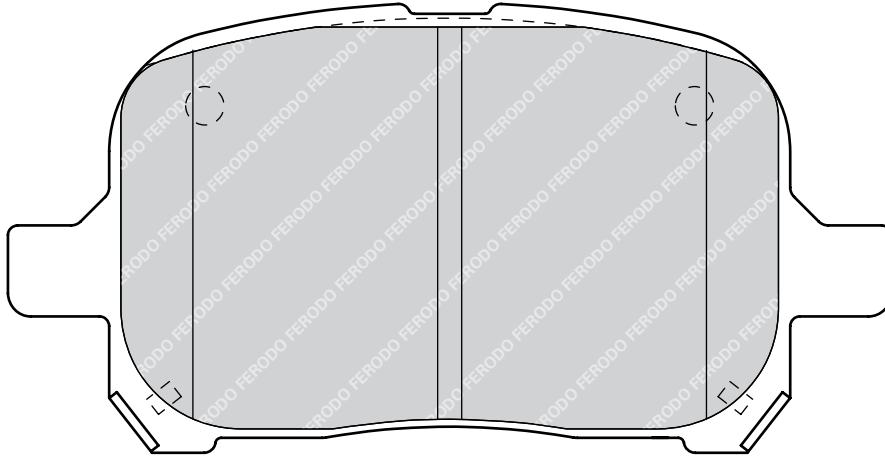
NISSAN



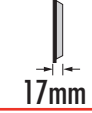
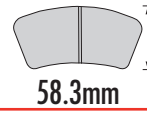
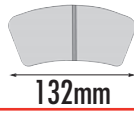
FDB1437



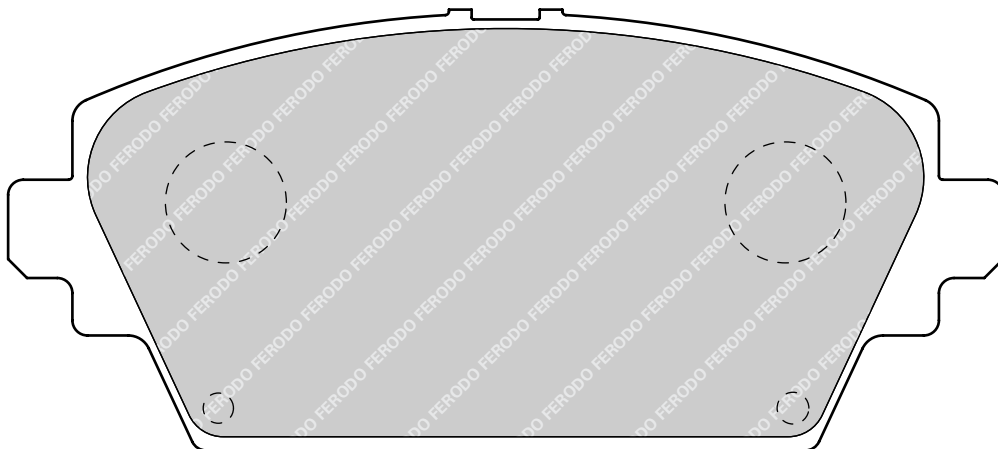
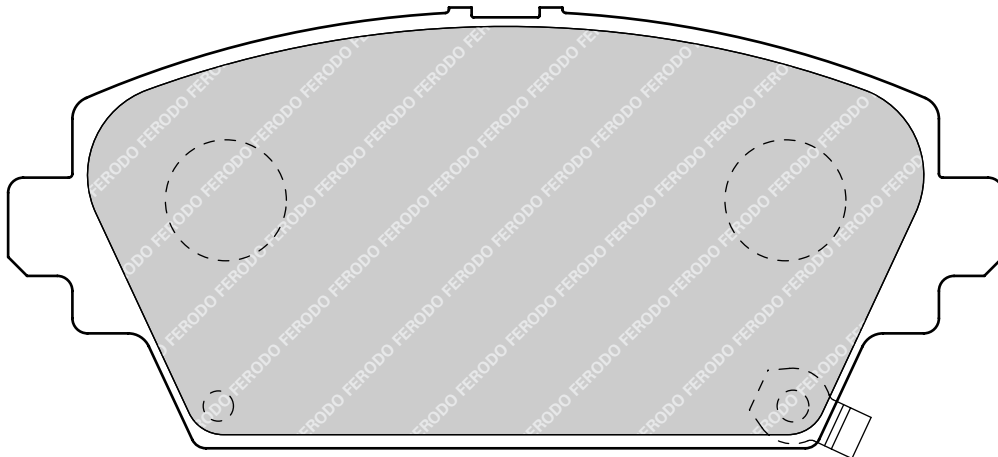
TOYOTA



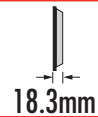
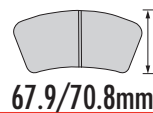
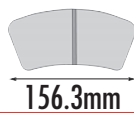
FDB1439



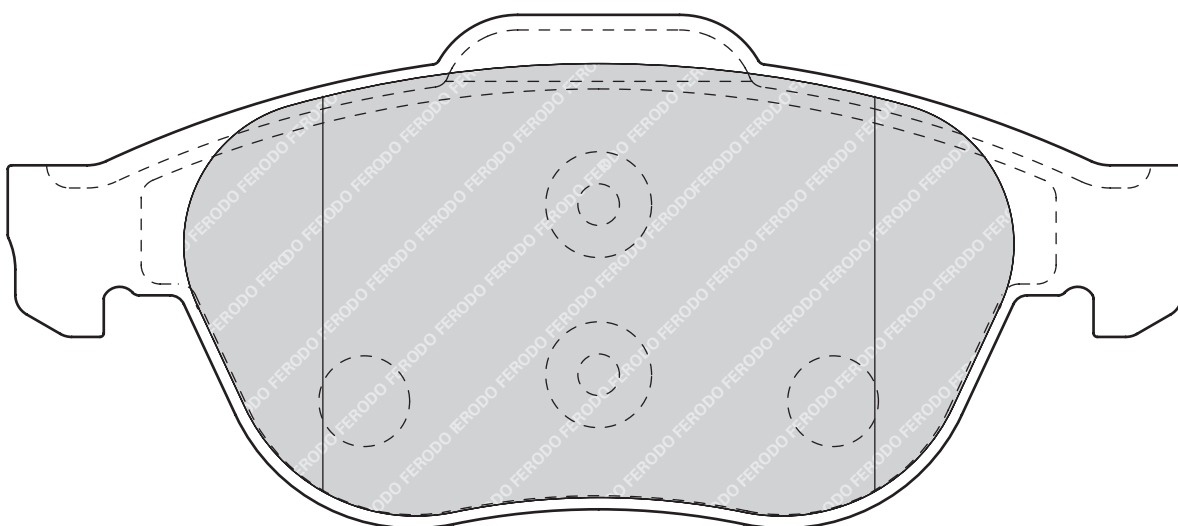
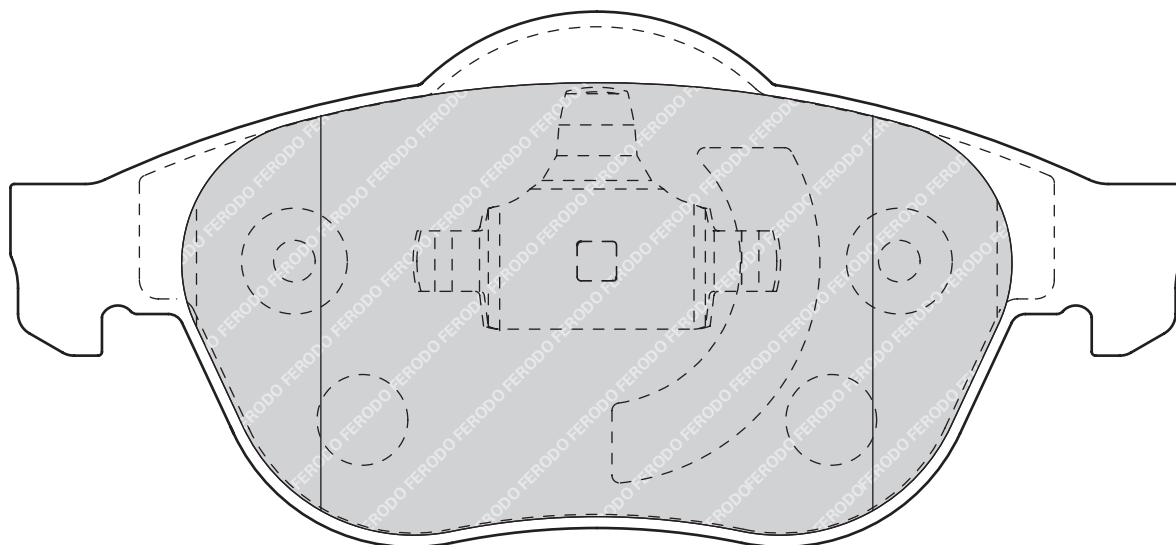
ROVER



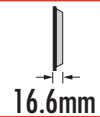
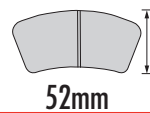
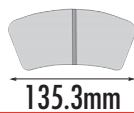
FDB1441



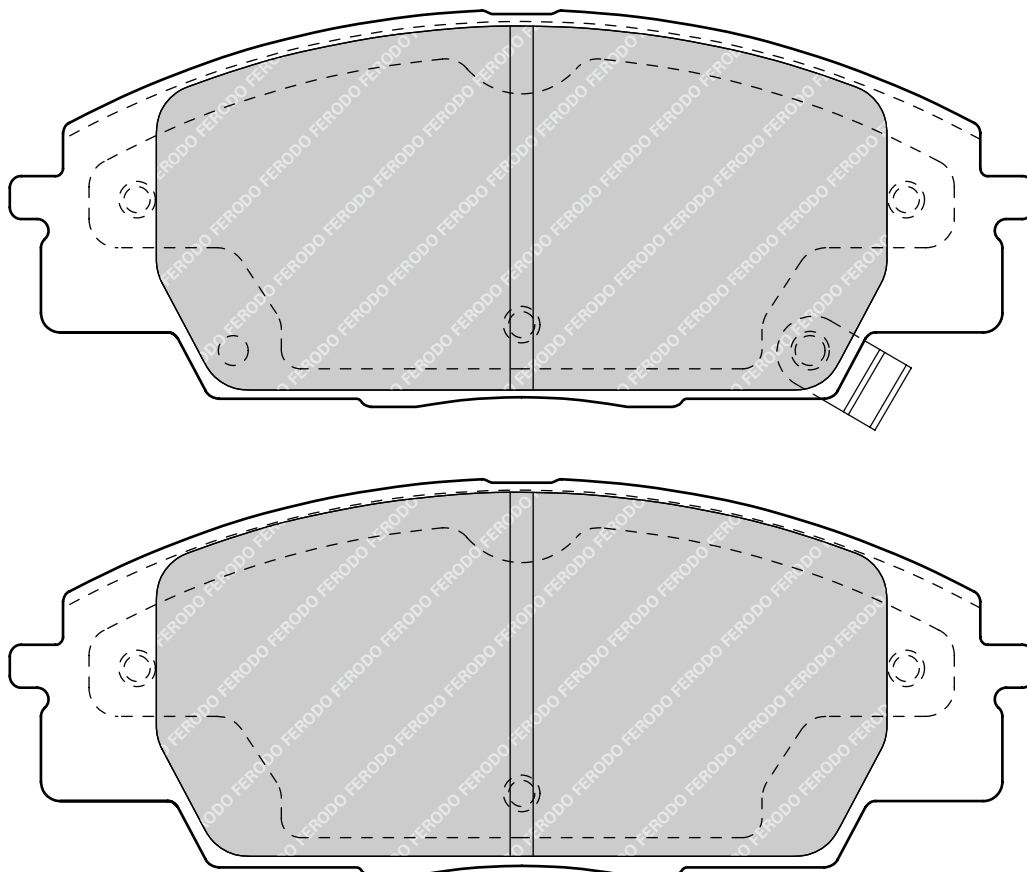
RENAULT



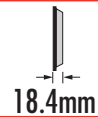
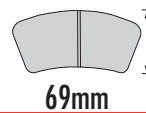
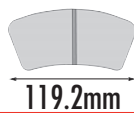
FDB1444



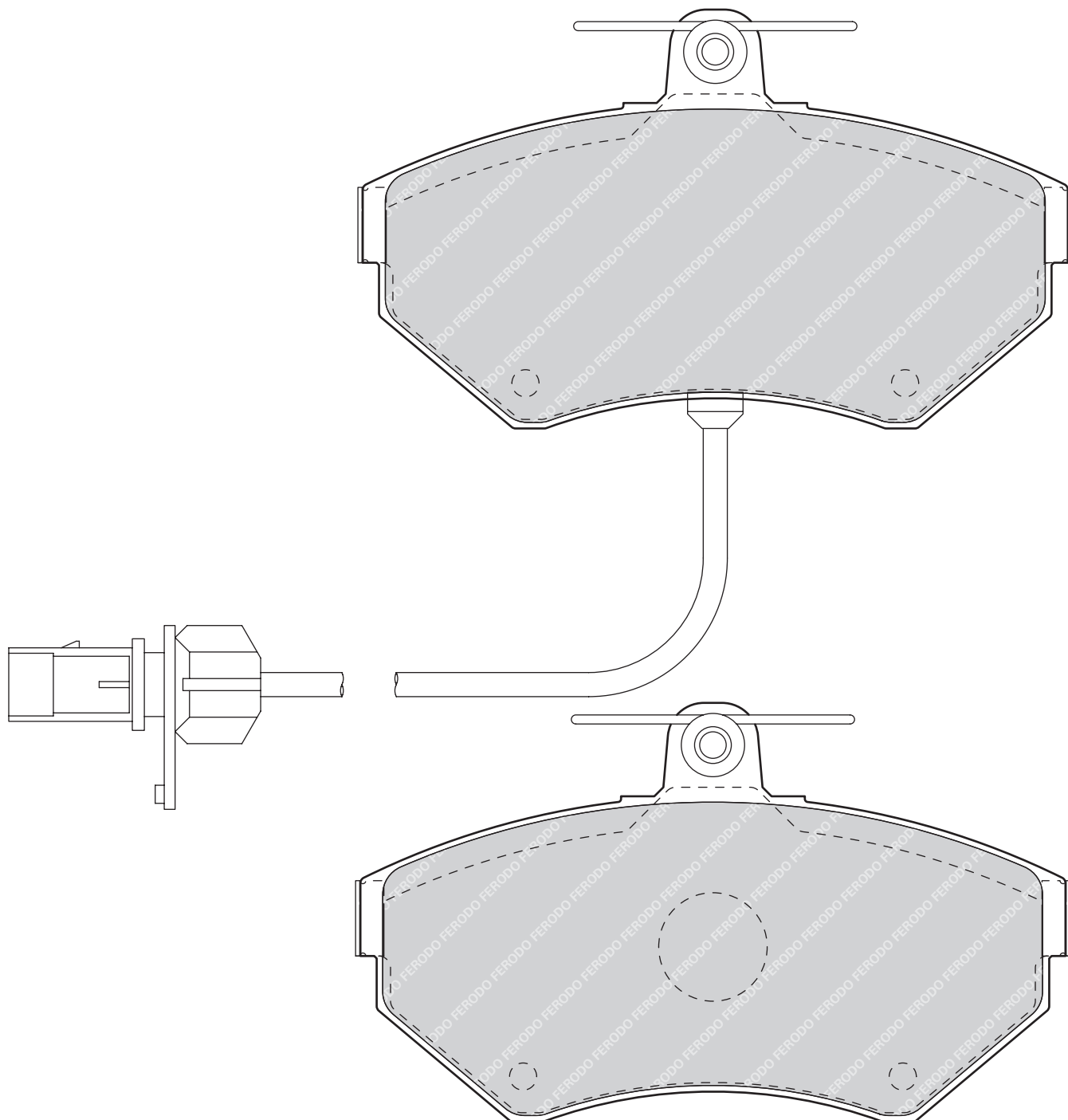
HONDA



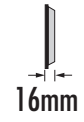
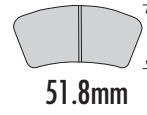
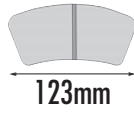
FDB1451



AUDI, VOLKSWAGEN

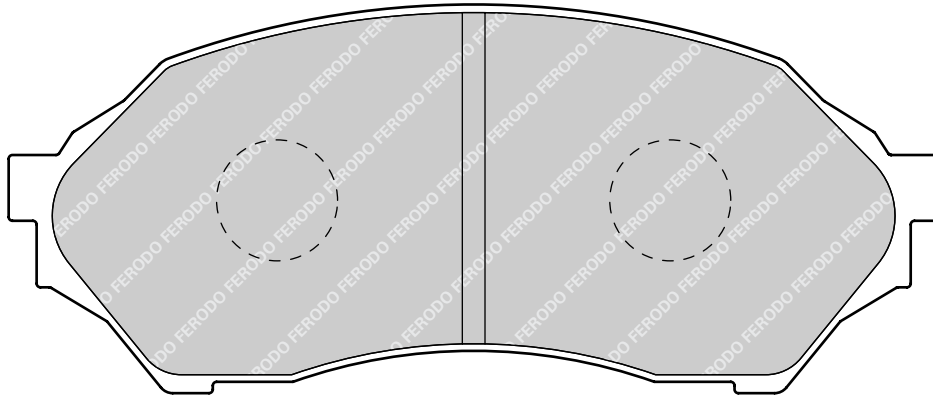


FDB1455

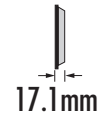
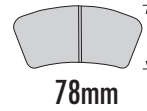
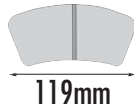


Thickness = 16mm with shim

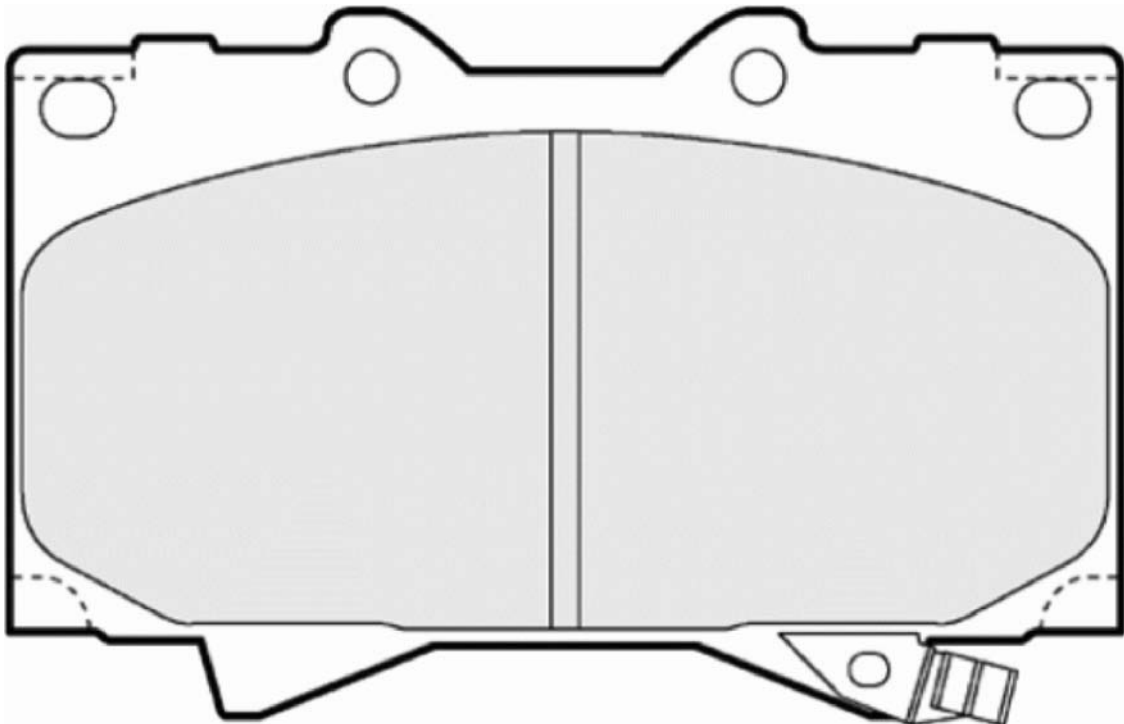
MAZDA



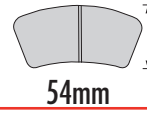
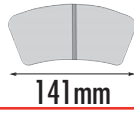
FDB1456



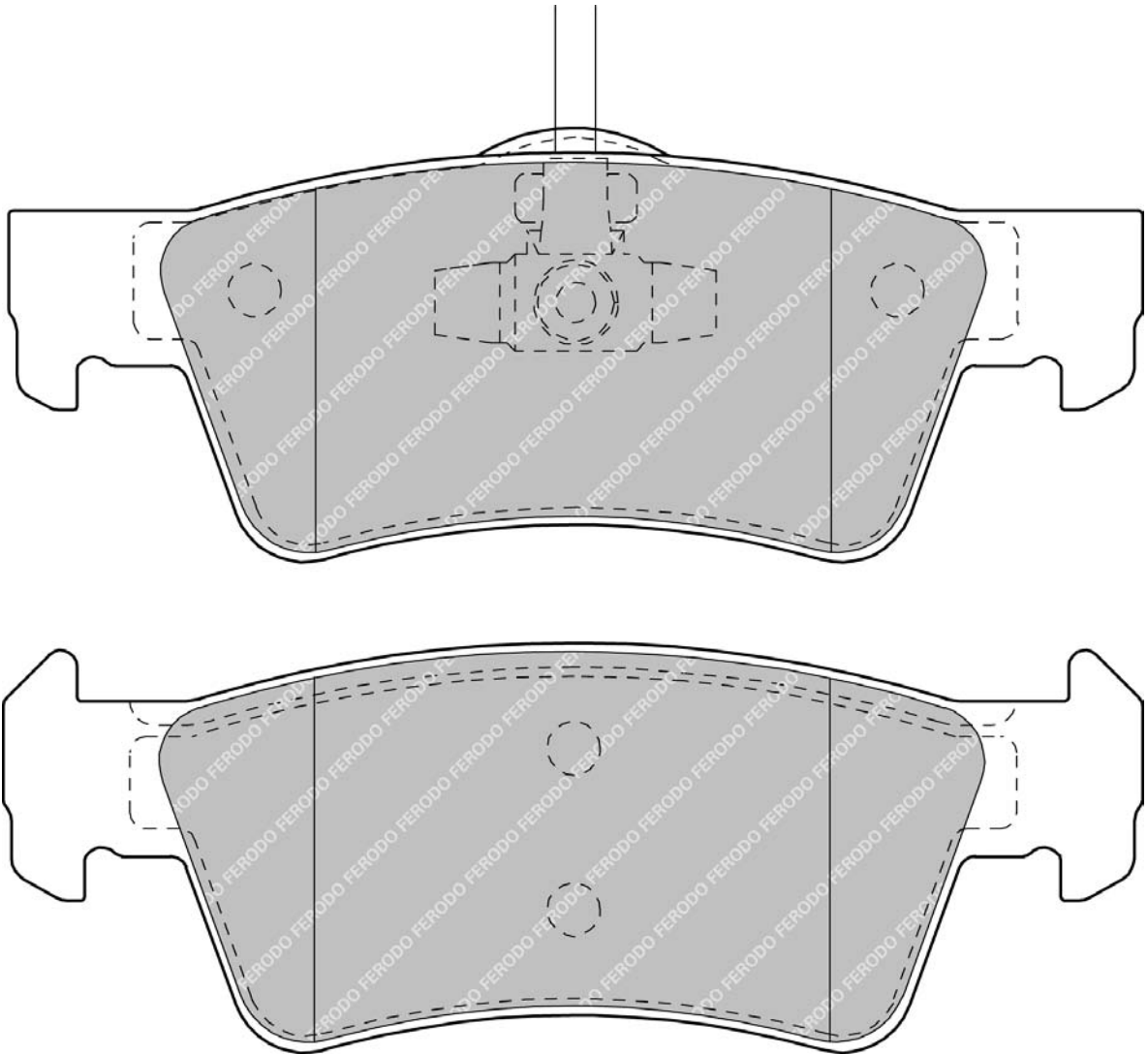
LANDCRUISER



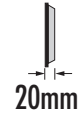
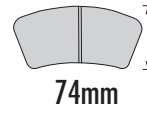
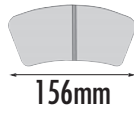
FDB1460



VOLKSWAGEN

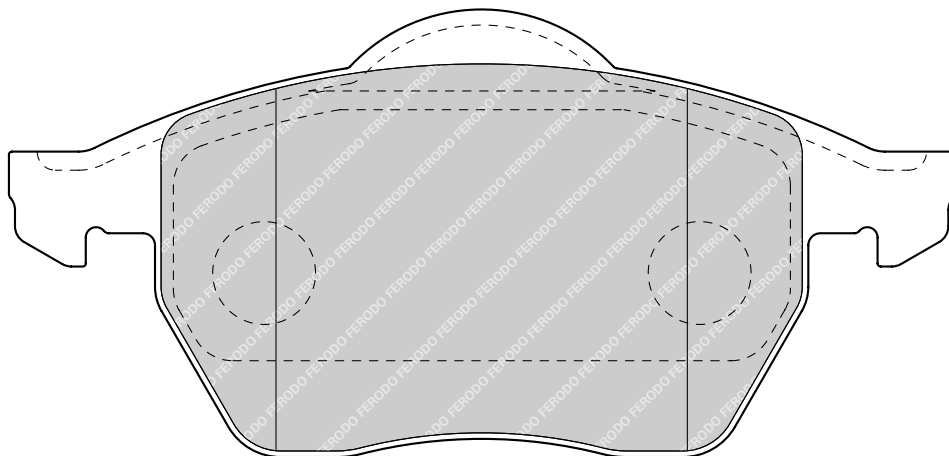
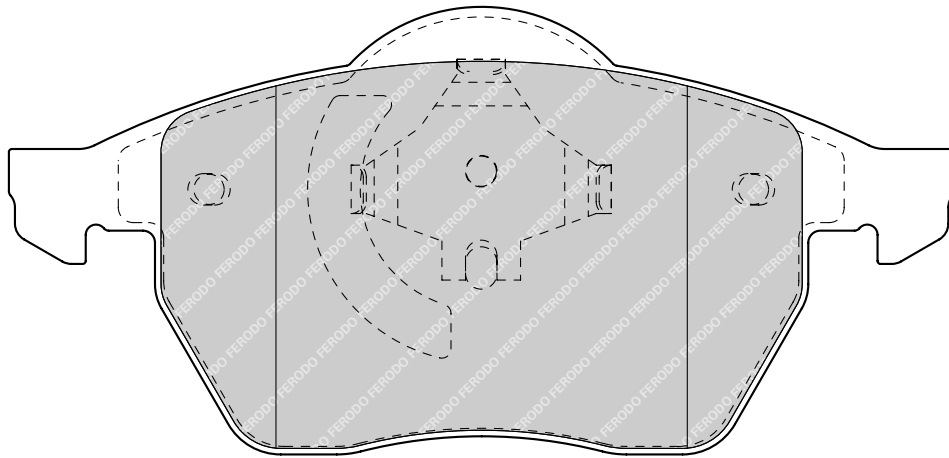
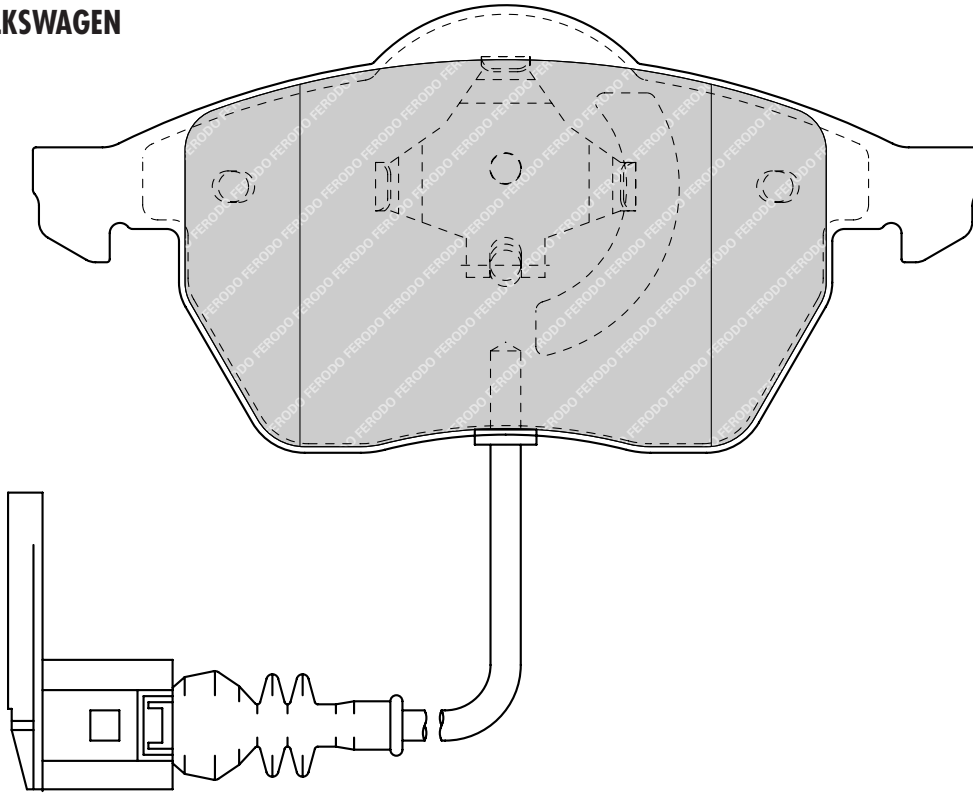


FDB1463

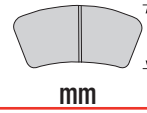
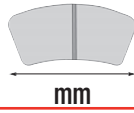


1 Wear Indicator Per Set

AUDI, VOLKSWAGEN



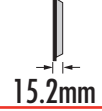
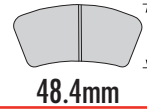
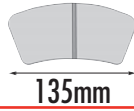
FDB1464



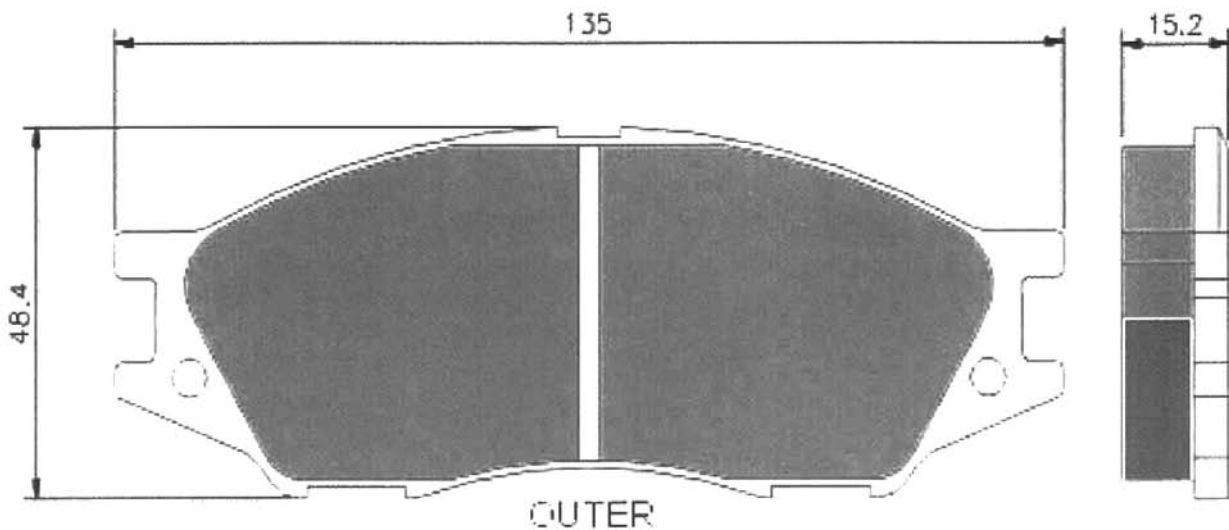
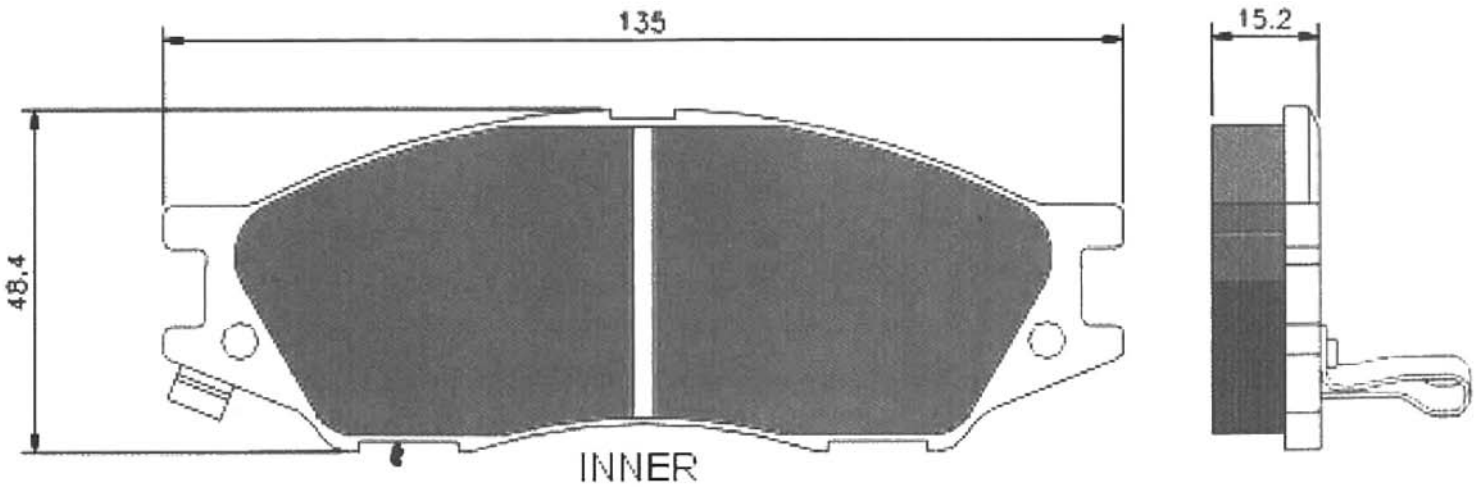
TOYOTA

USE FDB306

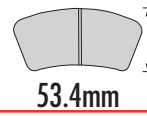
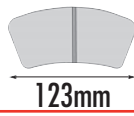
FDB1465



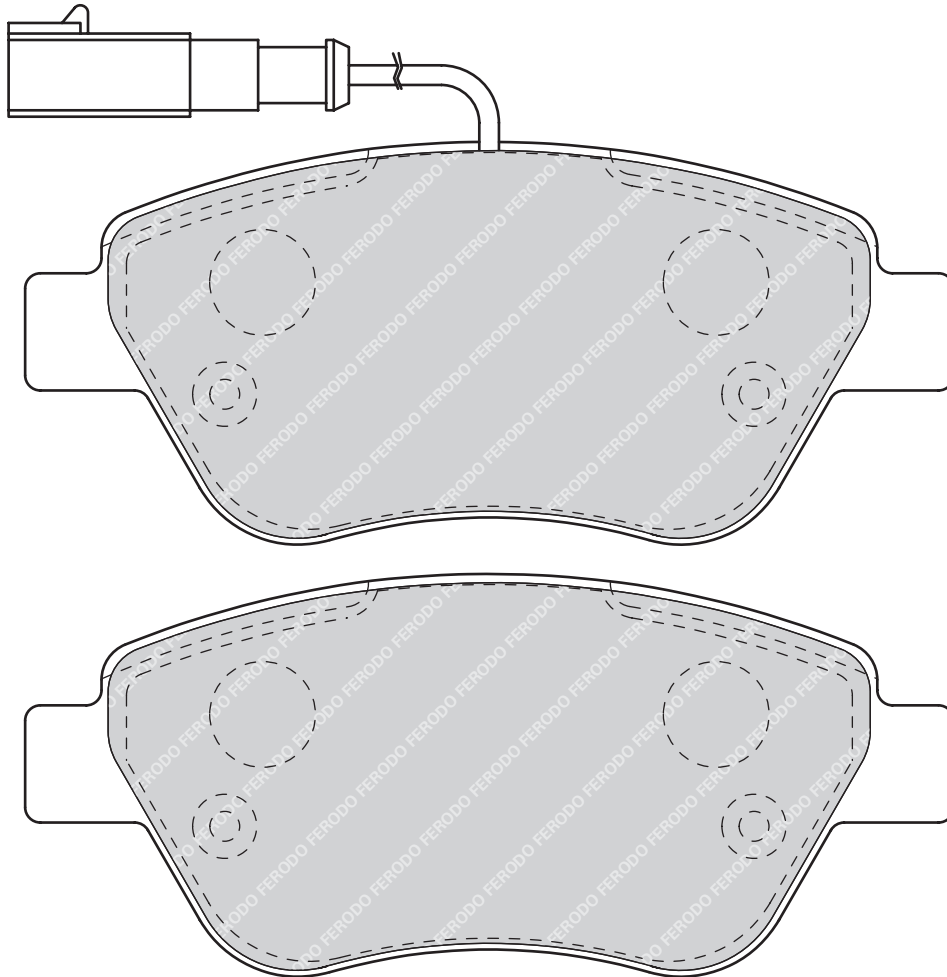
NISSAN



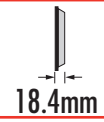
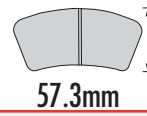
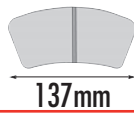
FDB1466



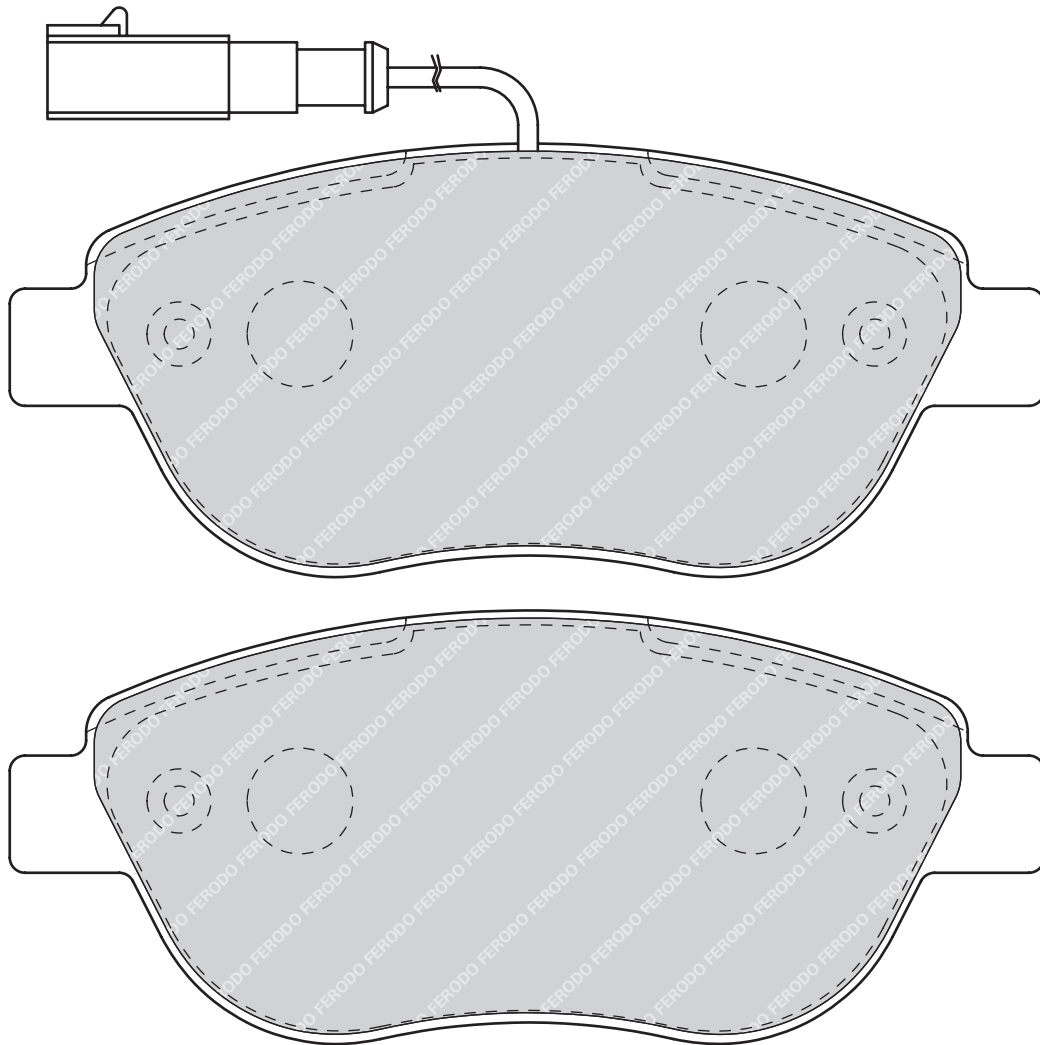
FIAT



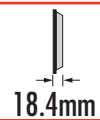
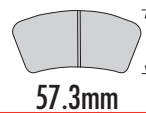
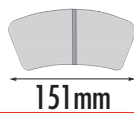
FDB1467



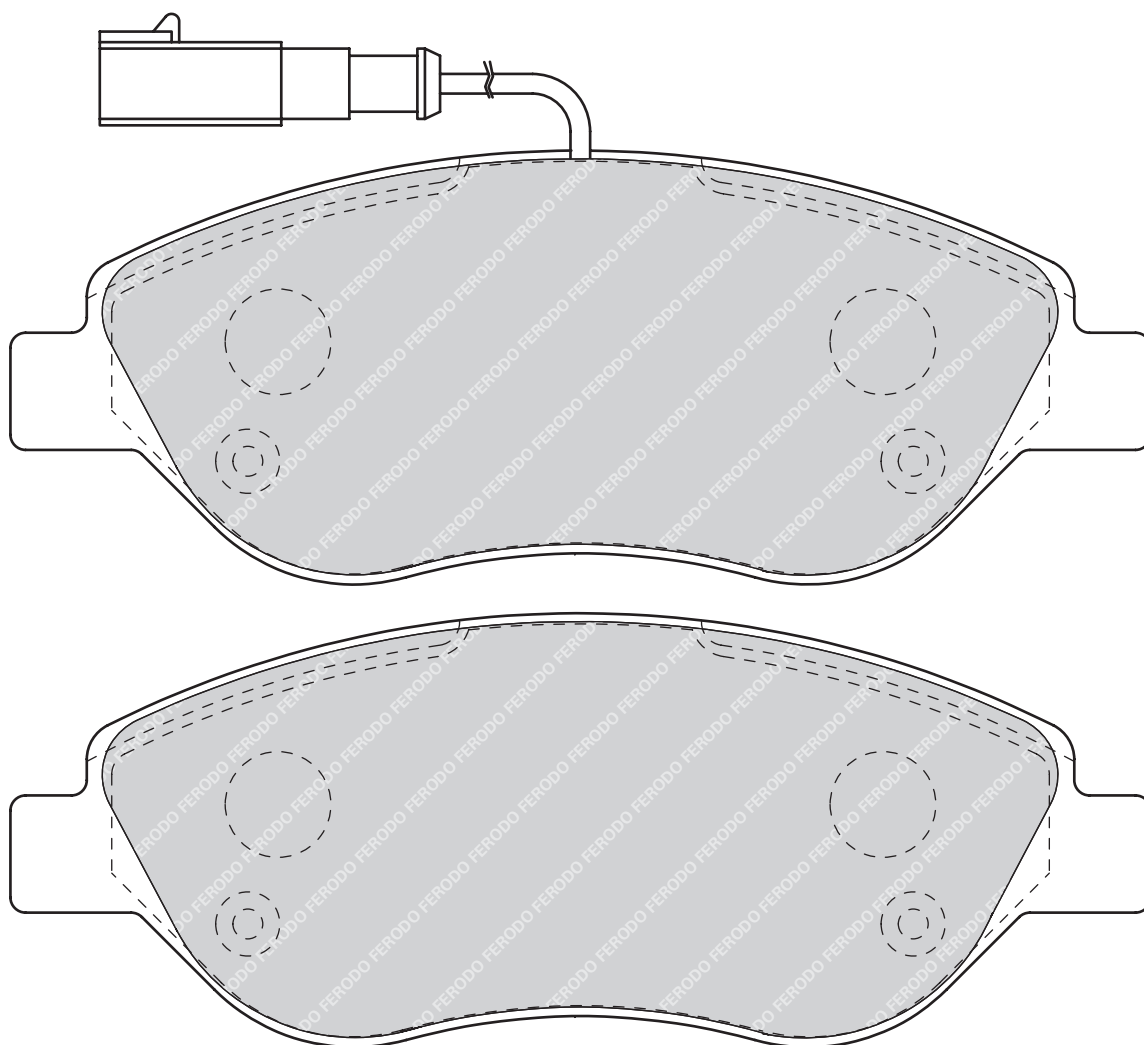
FIAT



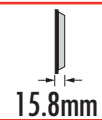
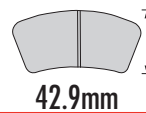
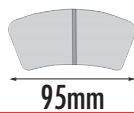
FDB1468



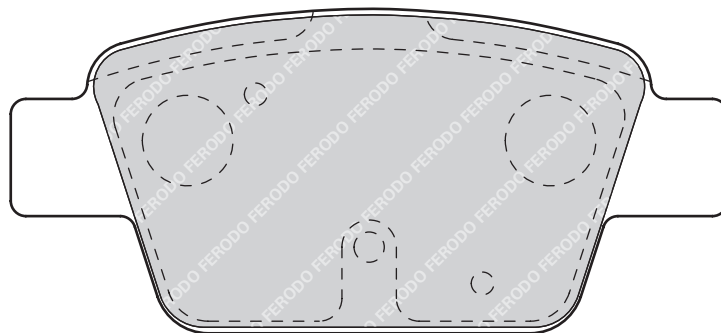
FIAT



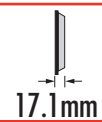
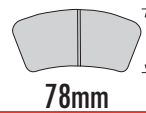
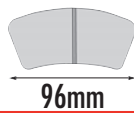
FDB1469



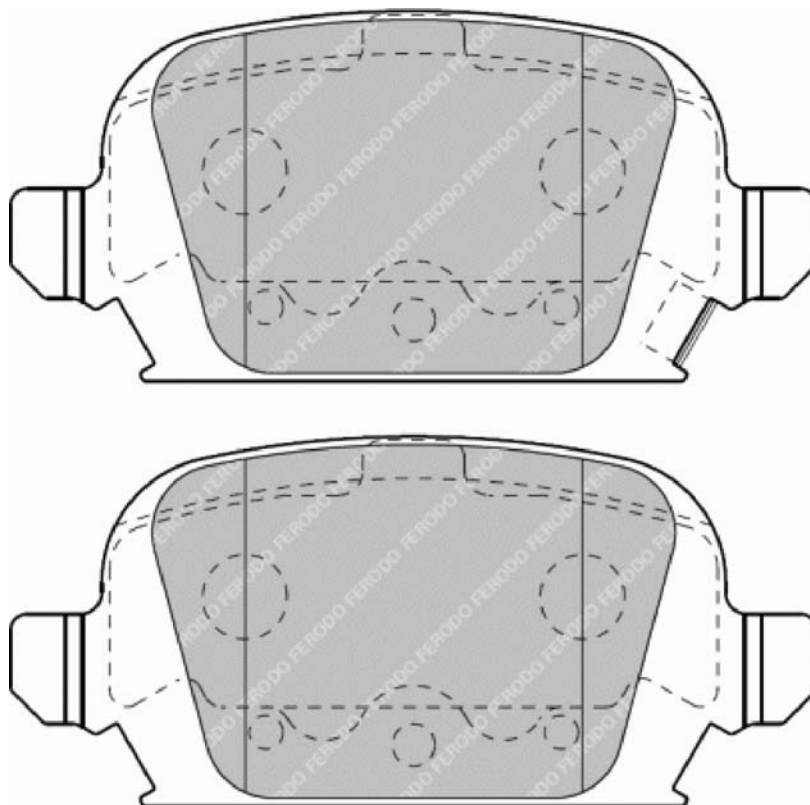
FIAT



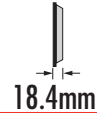
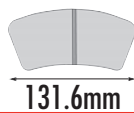
FDB1472



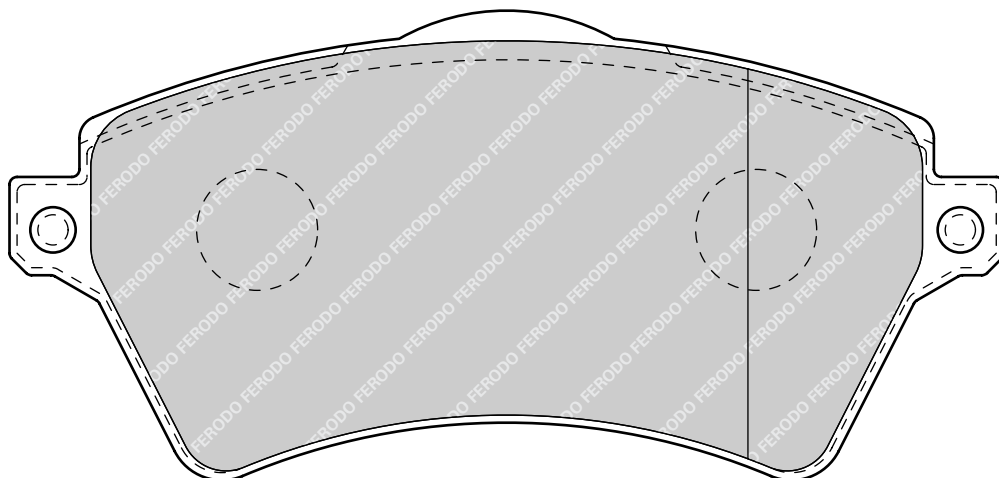
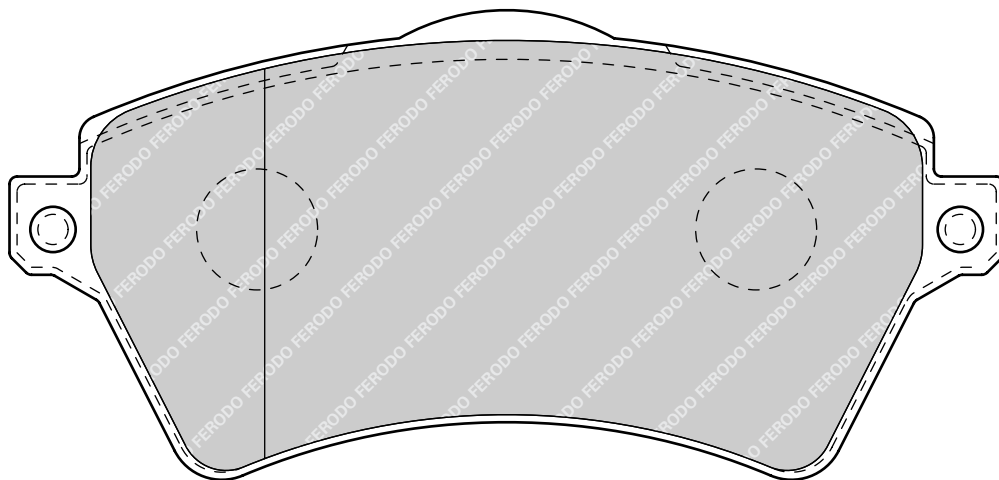
OPEL



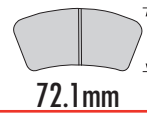
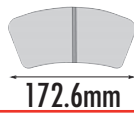
FDB1473



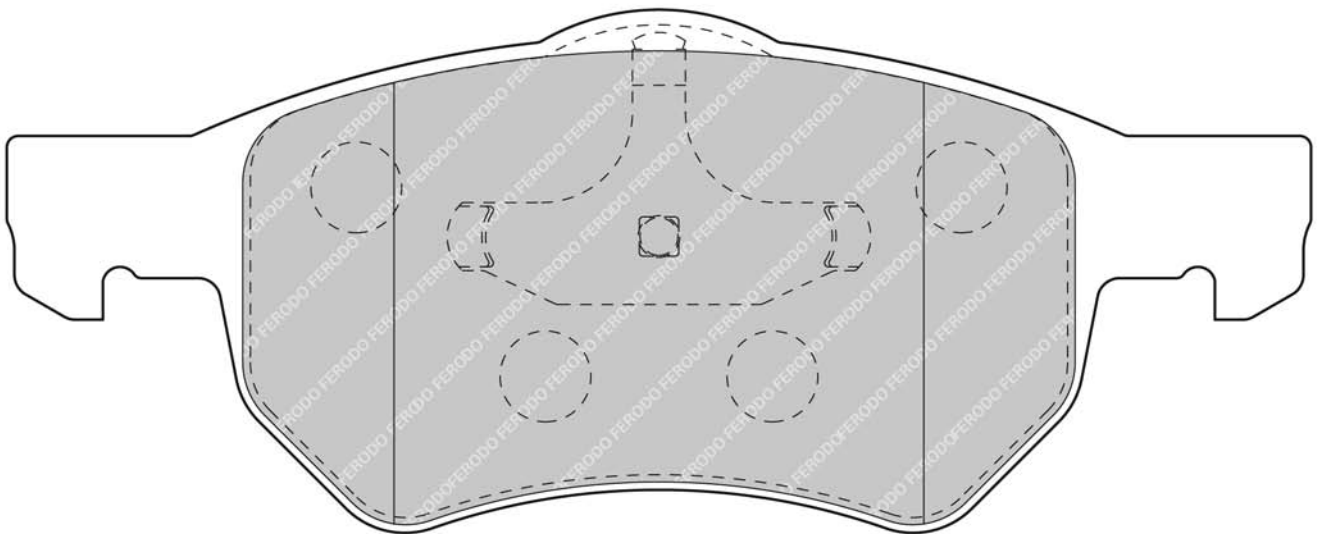
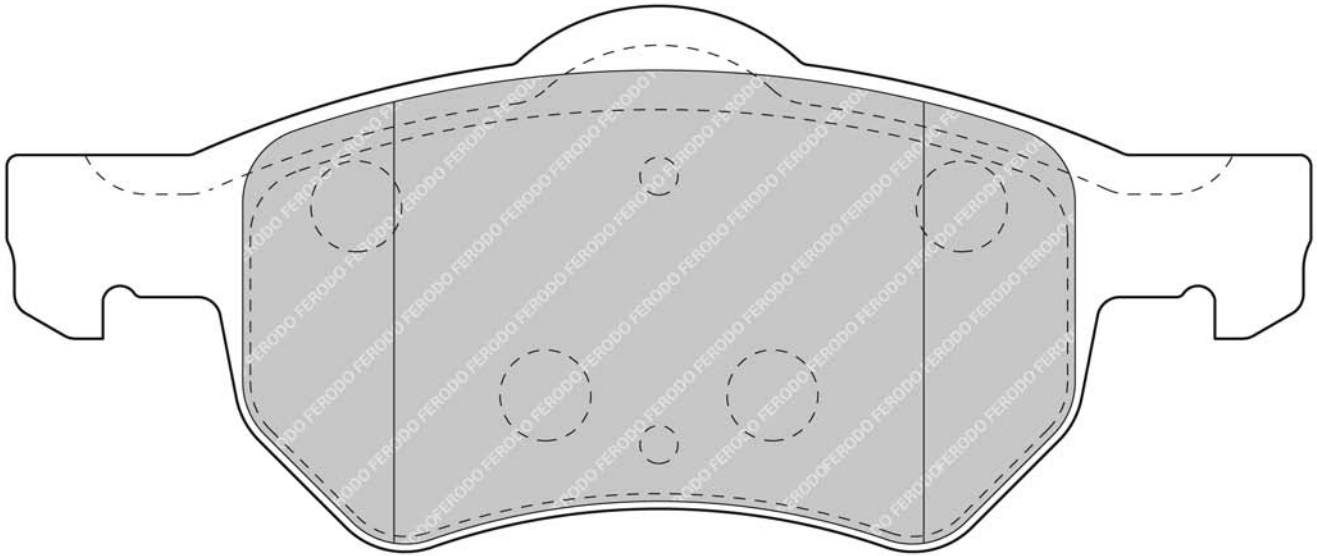
LANDROVER



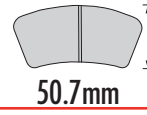
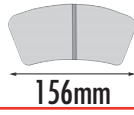
FDB1474



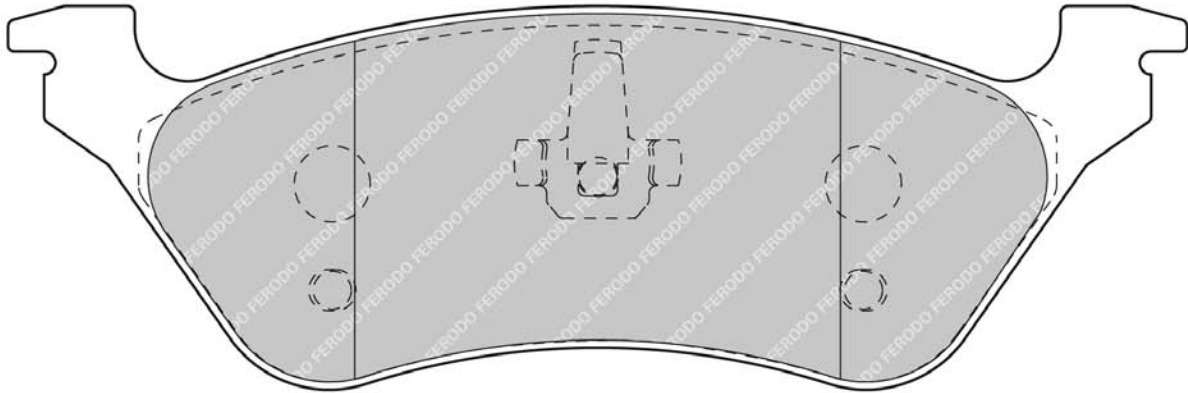
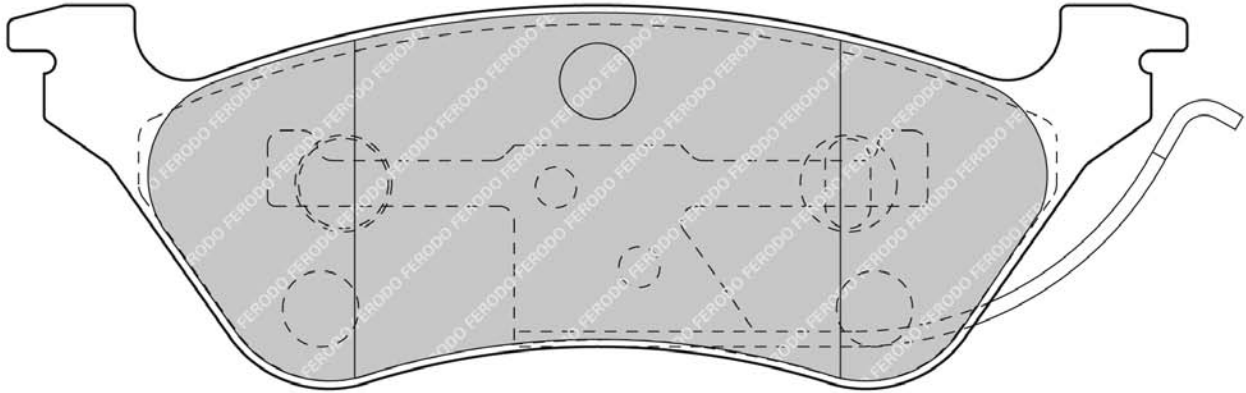
CHRYSLER



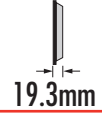
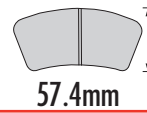
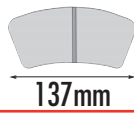
FDB1475



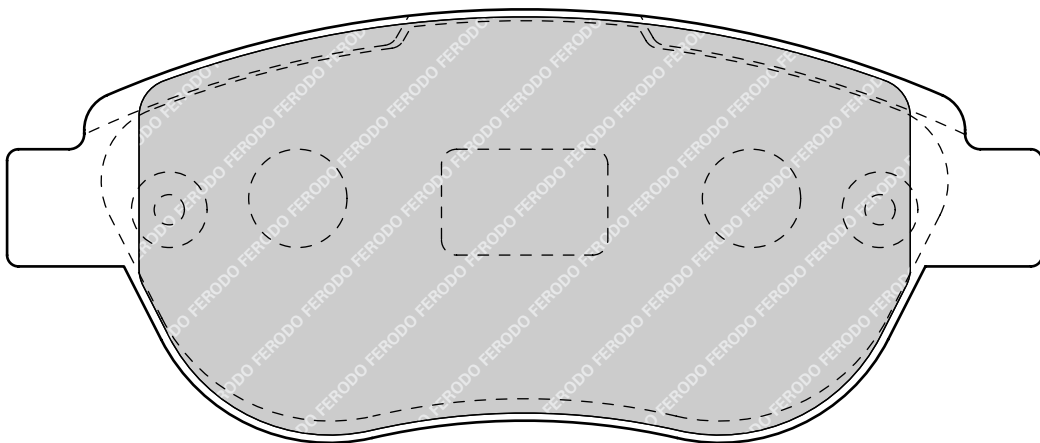
CHRYSLER



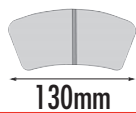
FDB1476



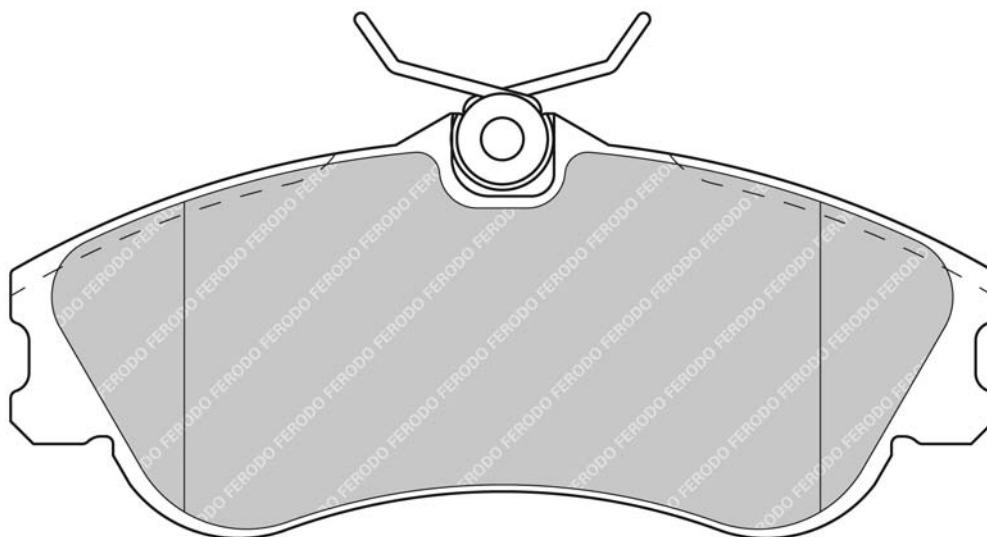
CITROEN, PEUGEOT



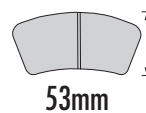
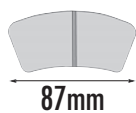
FDB1477



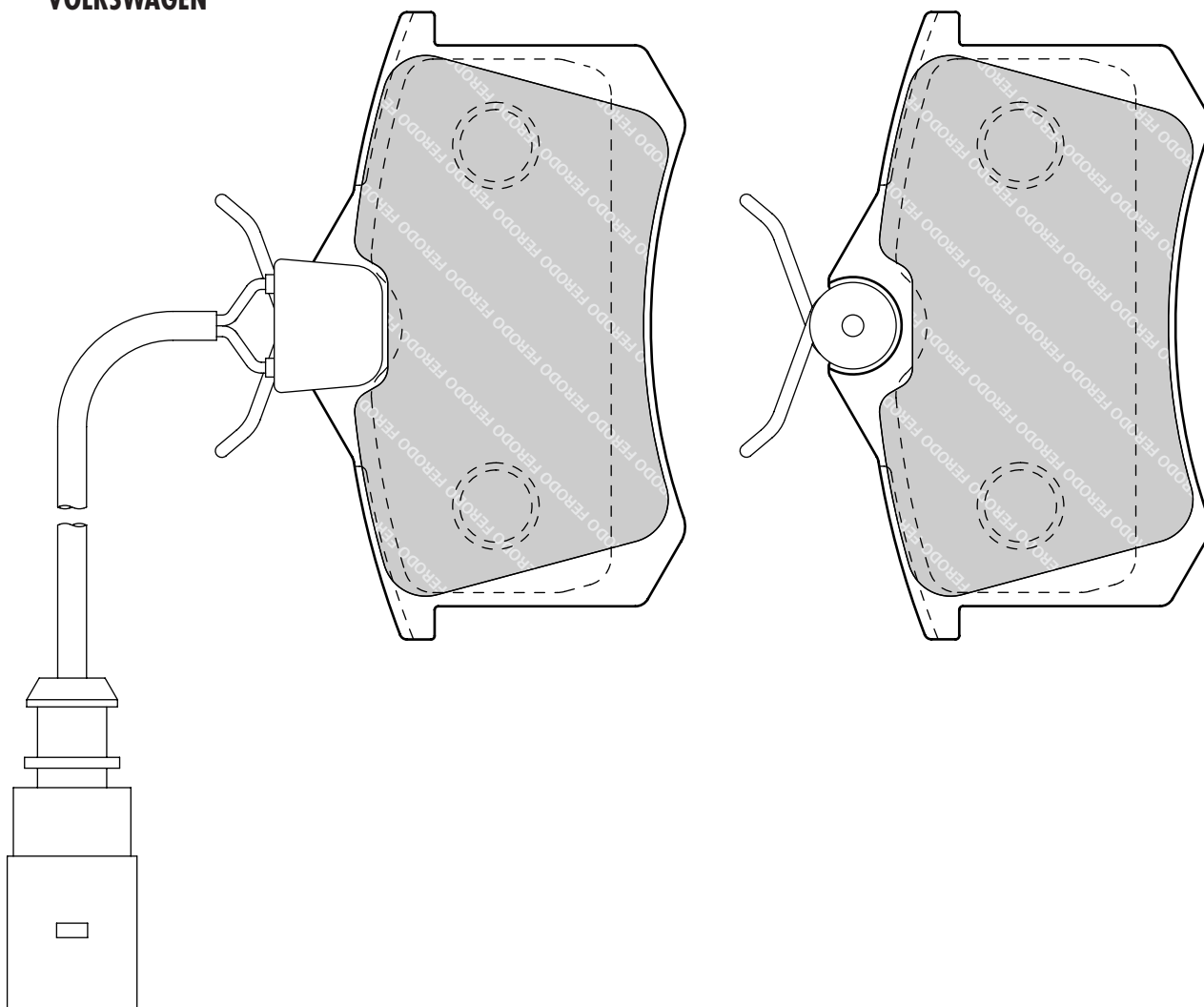
CITROEN



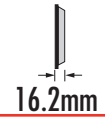
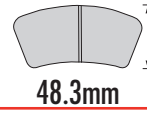
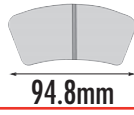
FDB1481



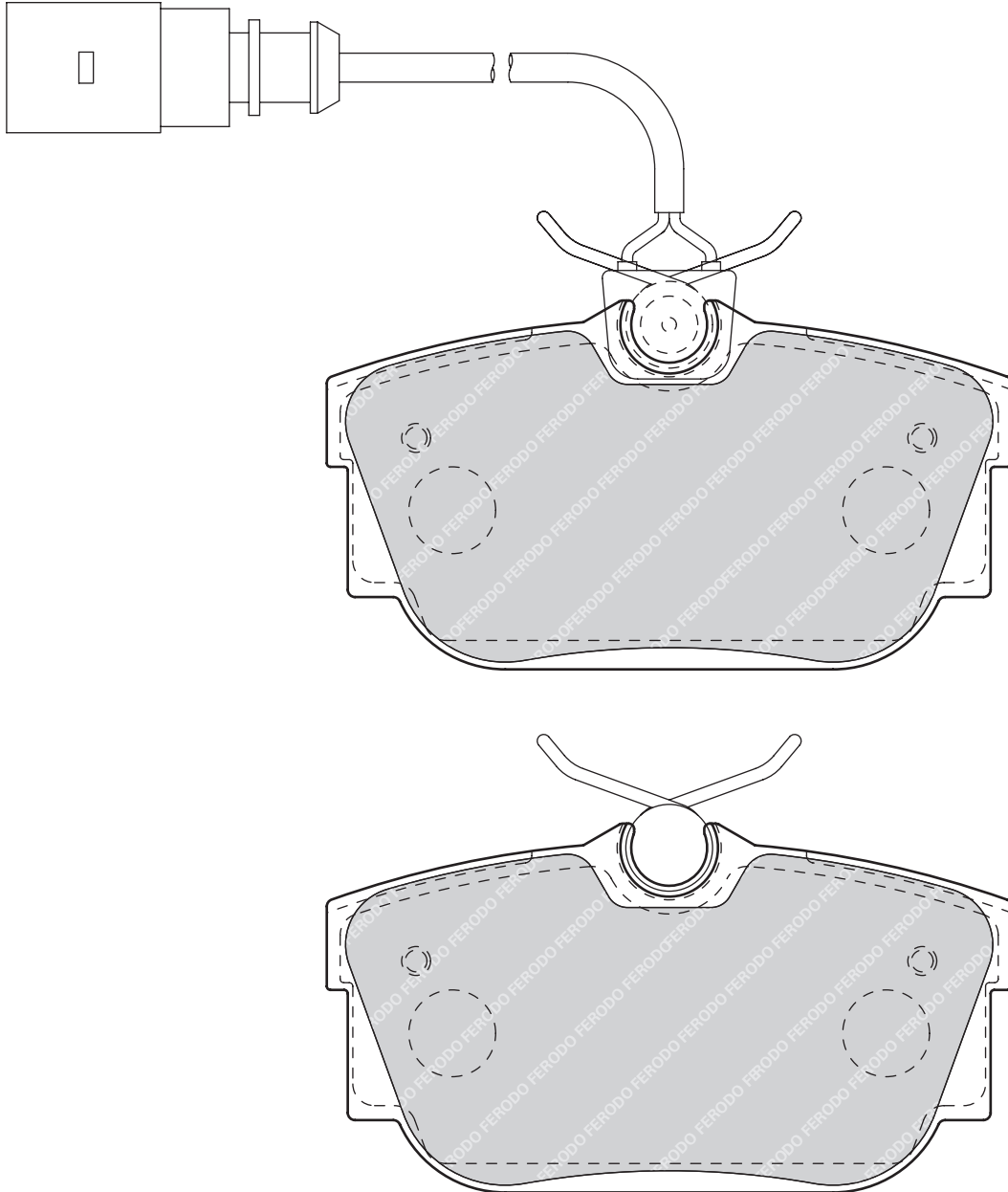
VOLKSWAGEN



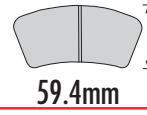
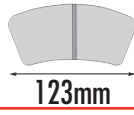
FDB1482



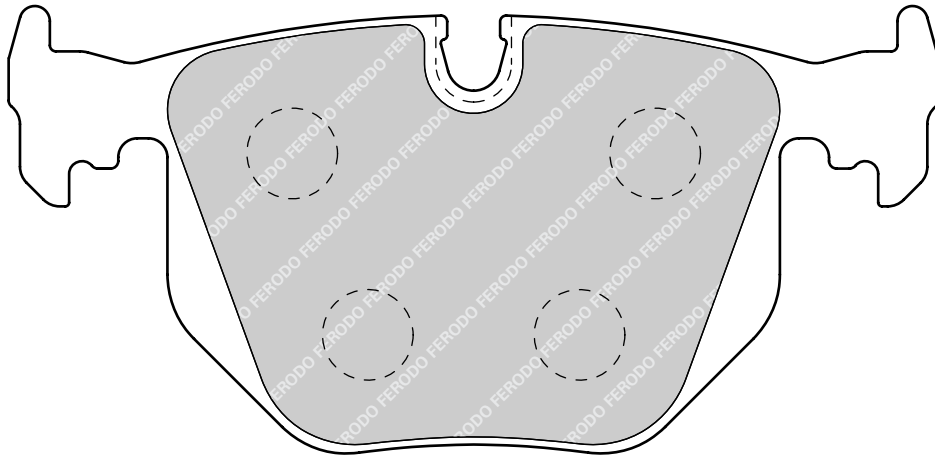
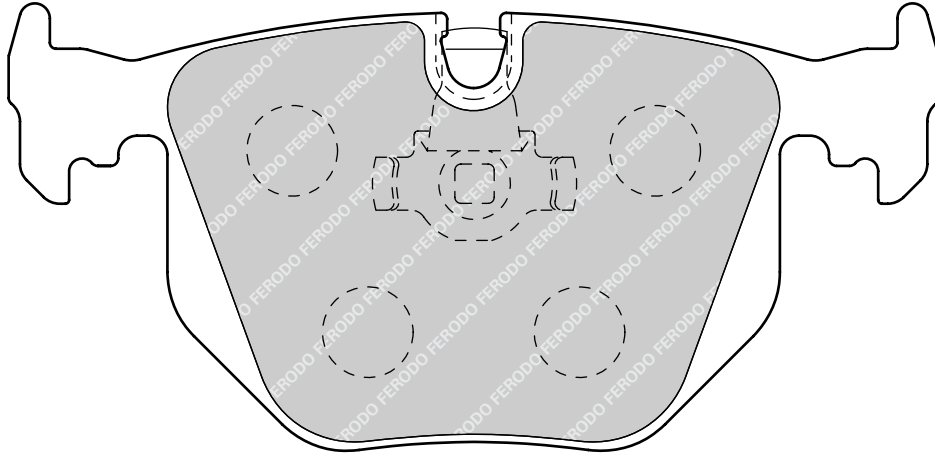
VOLKSWAGEN



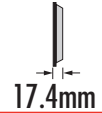
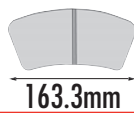
FDB1483



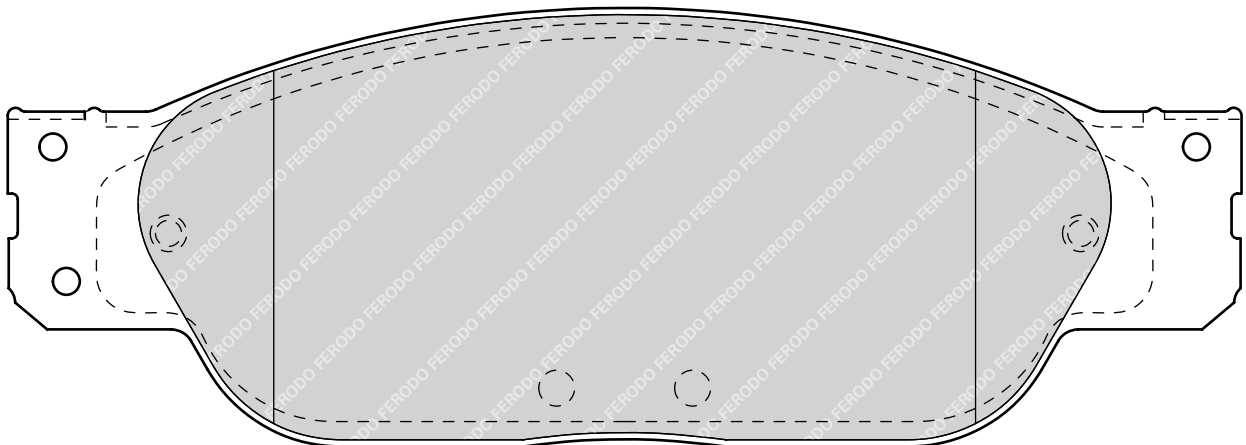
BMW



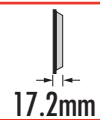
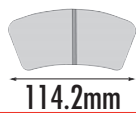
FDB1485



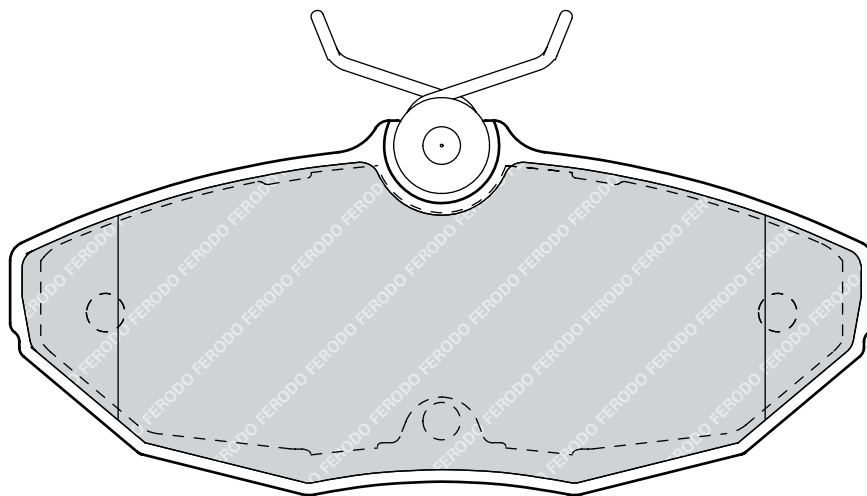
JAGUAR



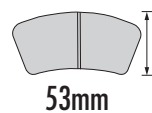
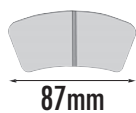
FDB1486



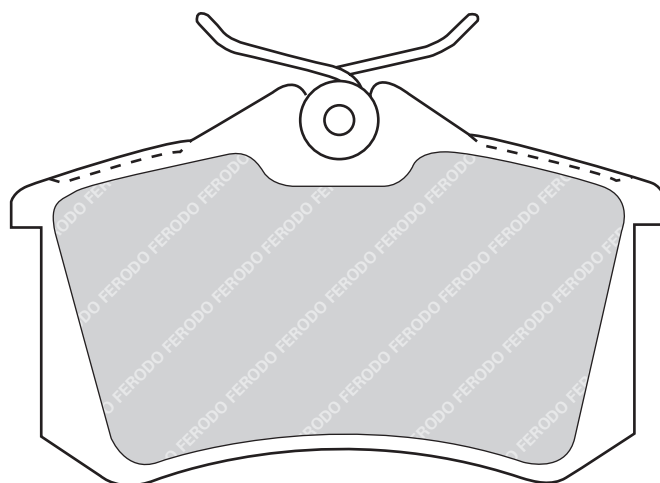
JAGUAR



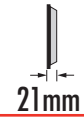
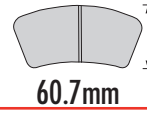
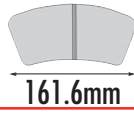
FDB1491



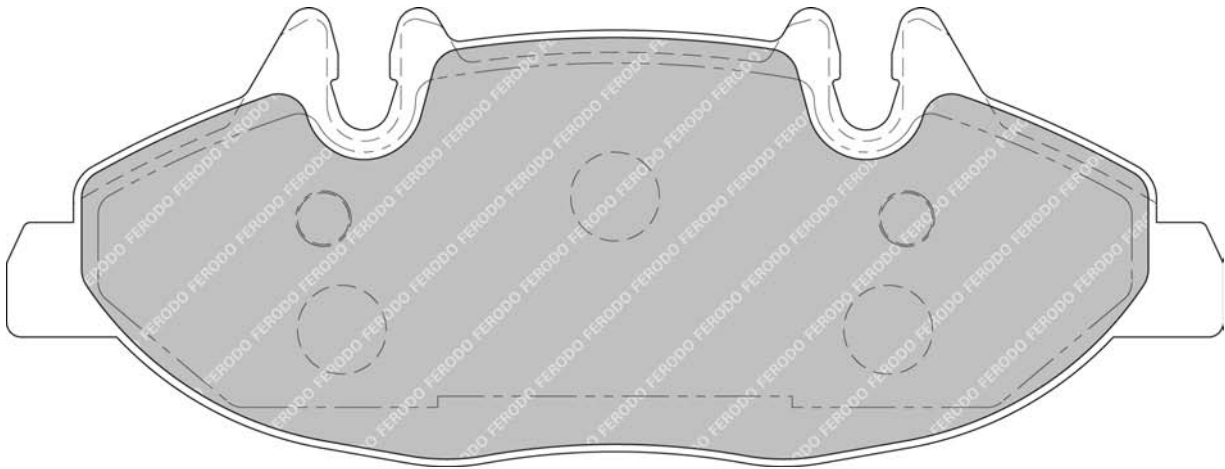
RENAULT



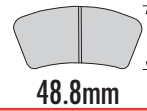
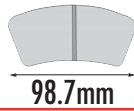
FDB1493/FVR1493



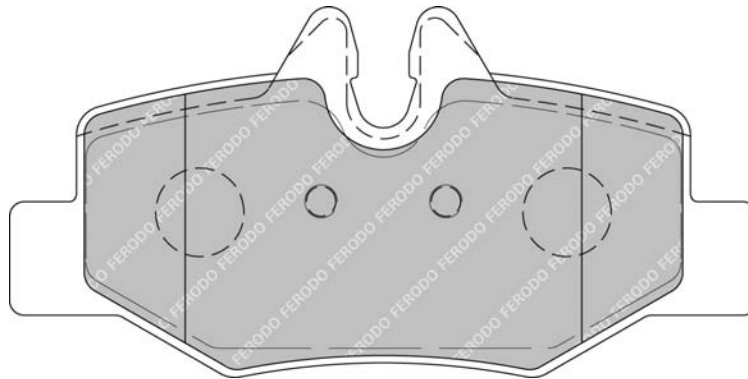
MERCEDES BENZ



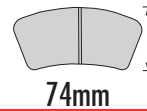
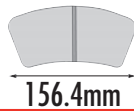
FDB1494/FVR1494



MERCEDES BENZ

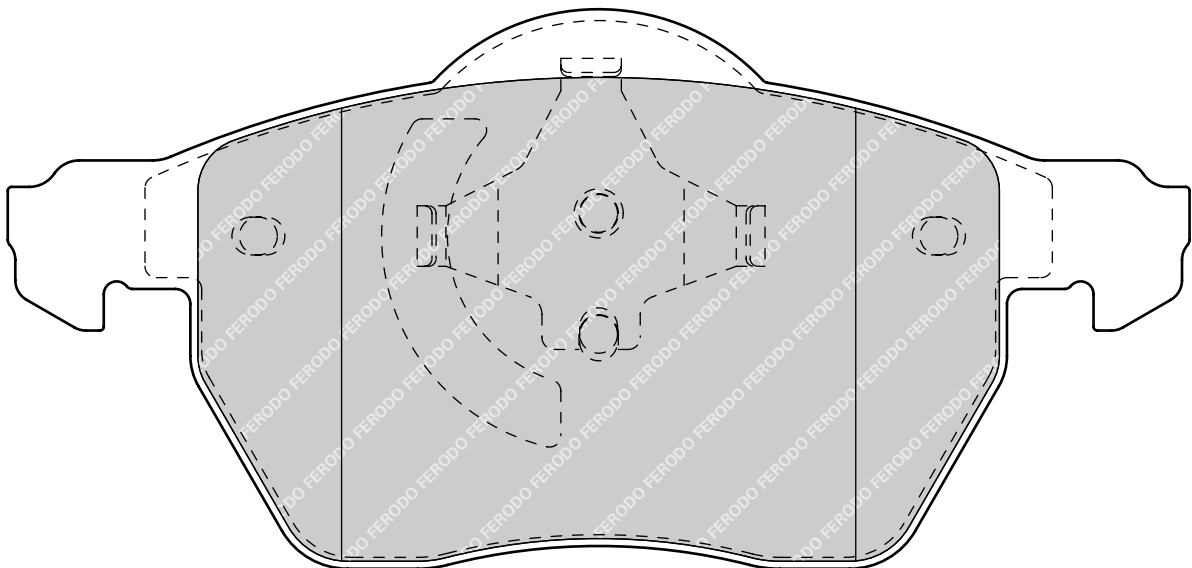
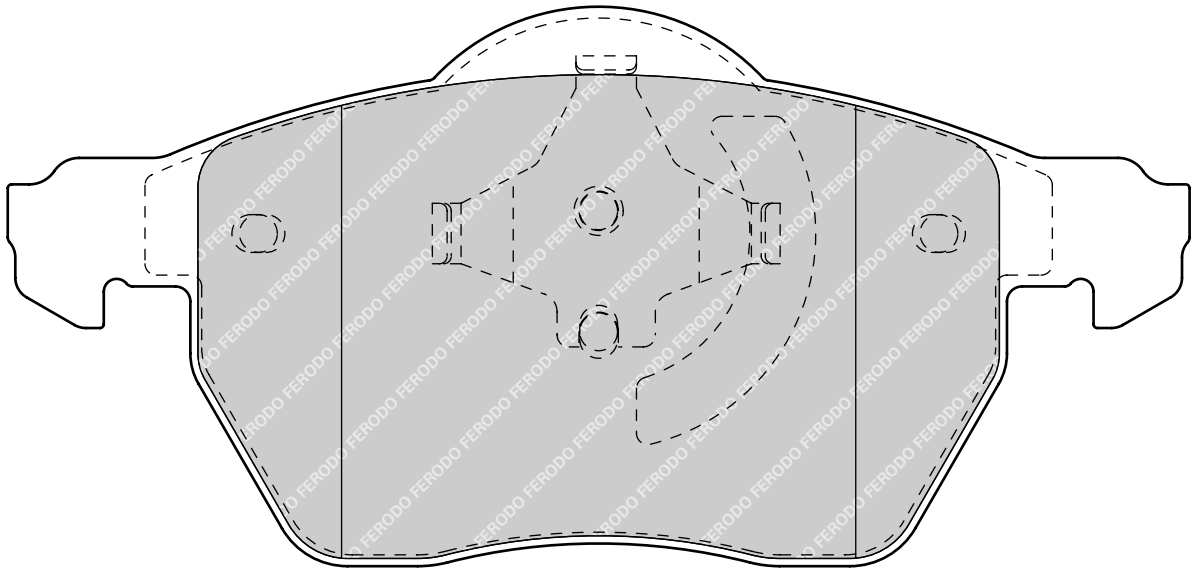
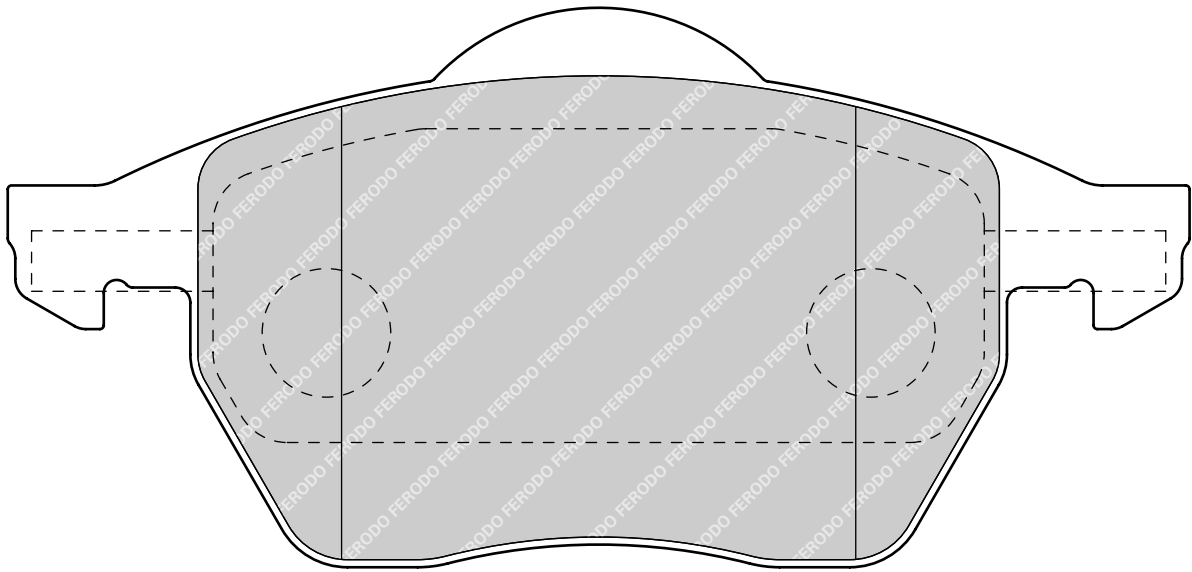


FDB1495

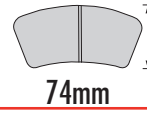
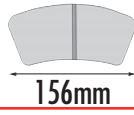


VOLKSWAGEN

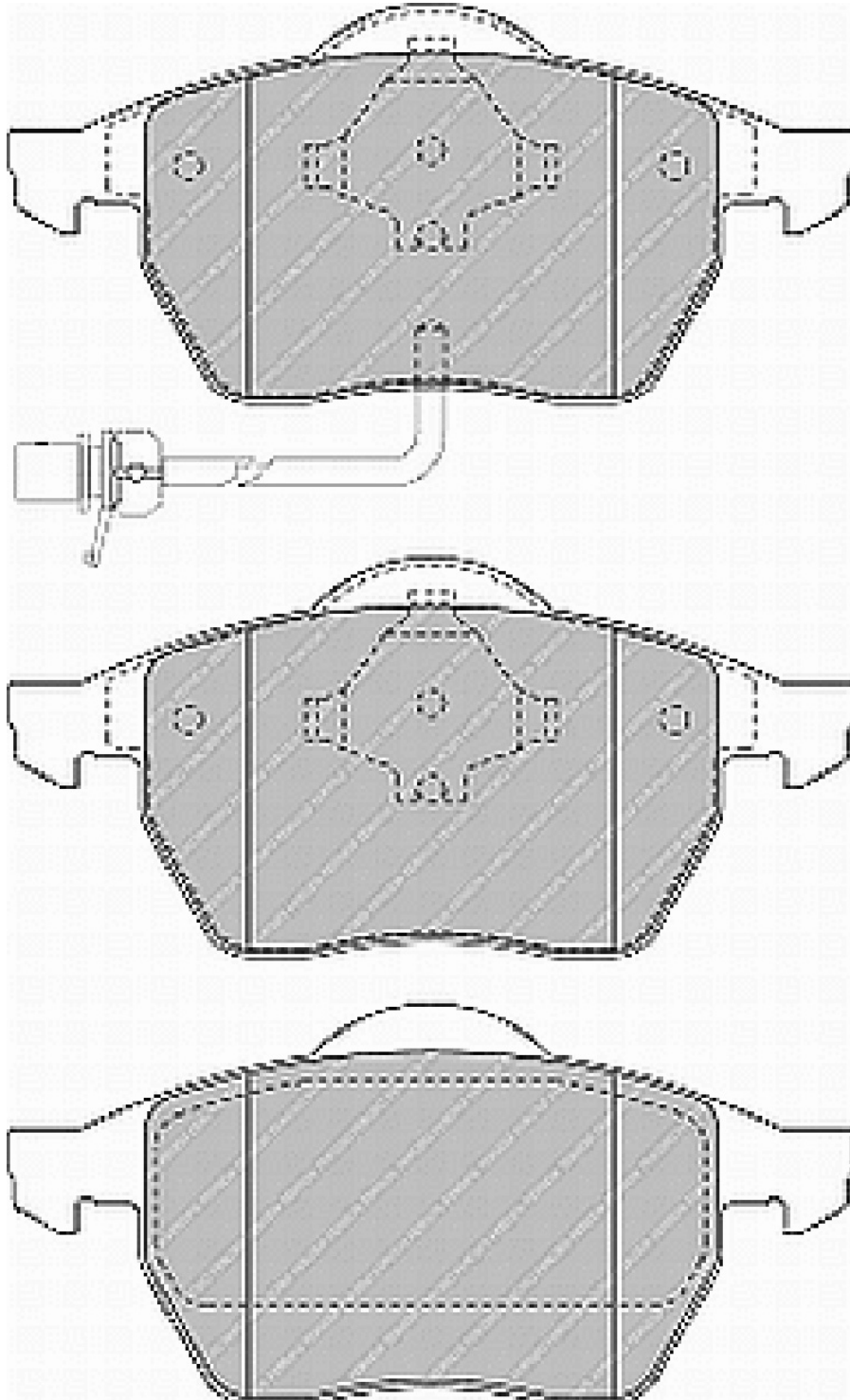
ILLUSTRATION ON NEXT PAGE



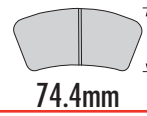
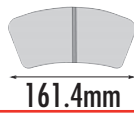
FDB1496



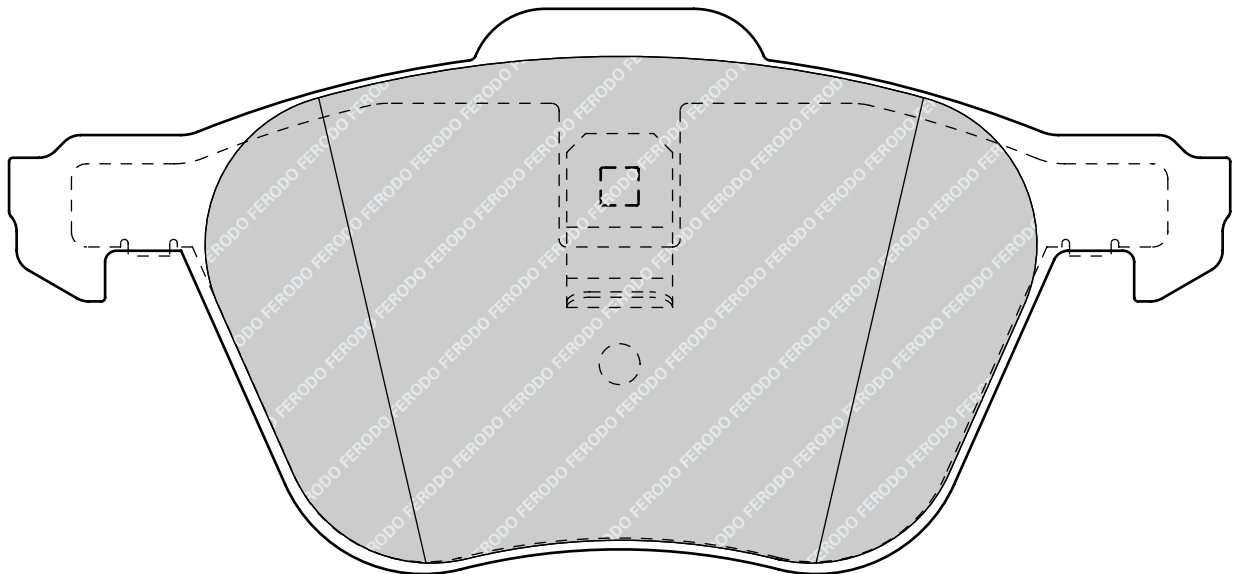
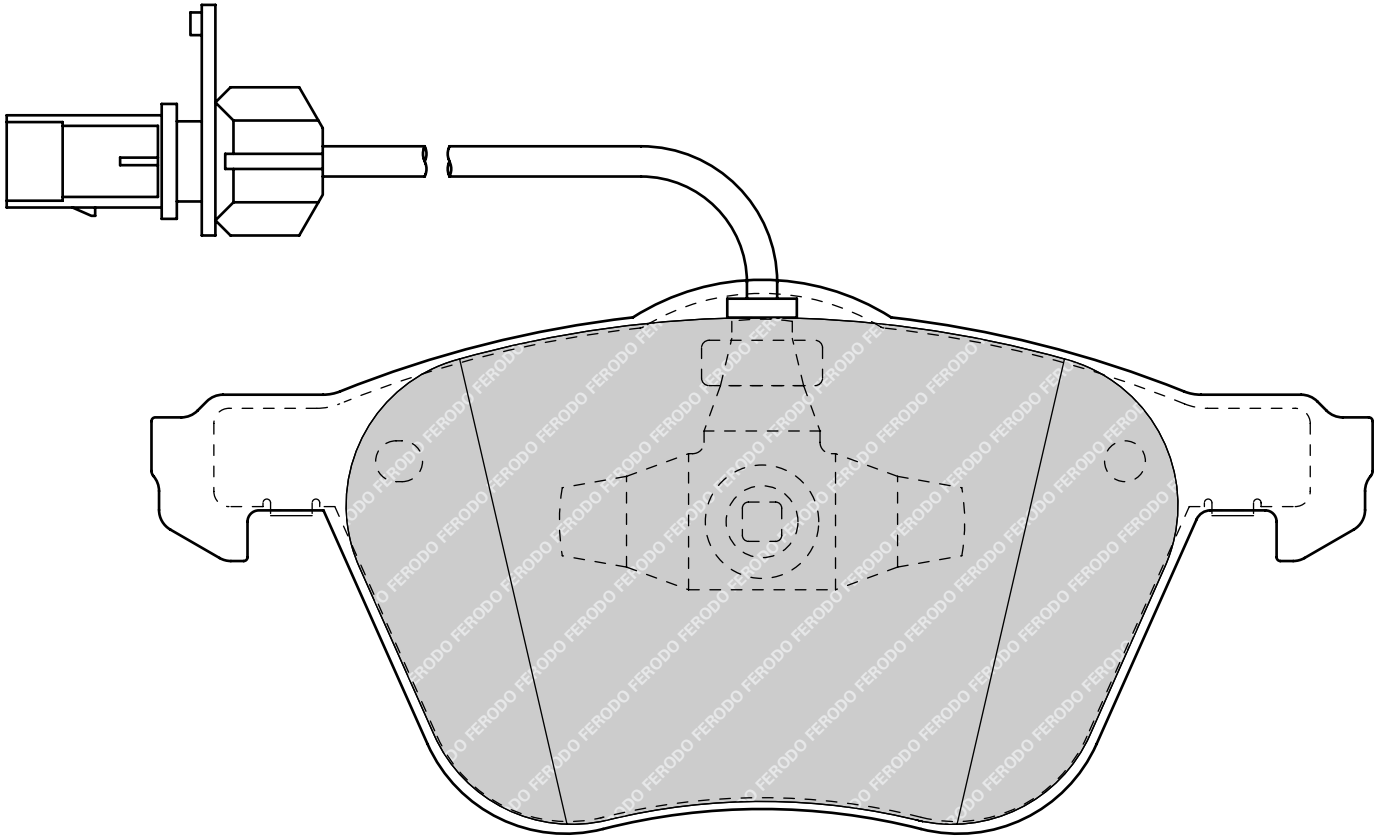
VOLKSWAGEN



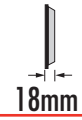
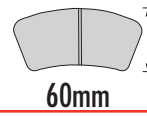
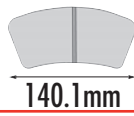
FDB1497



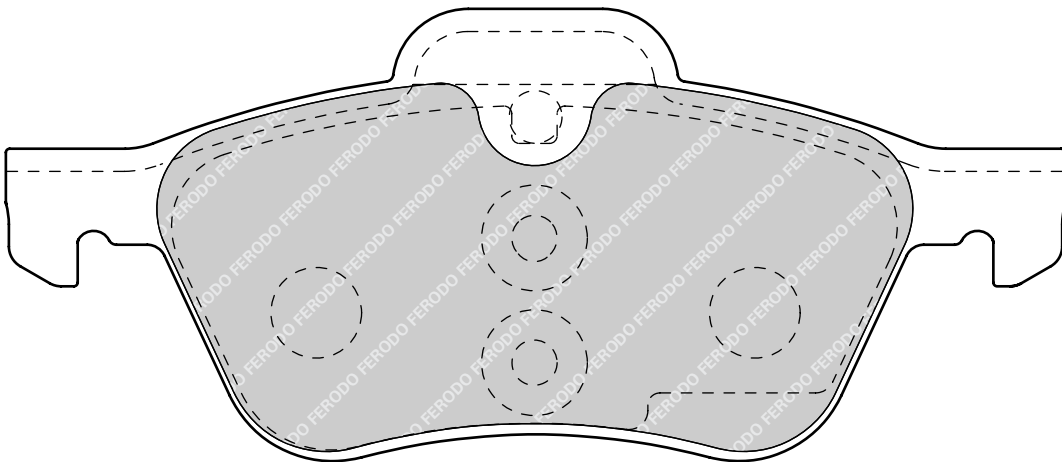
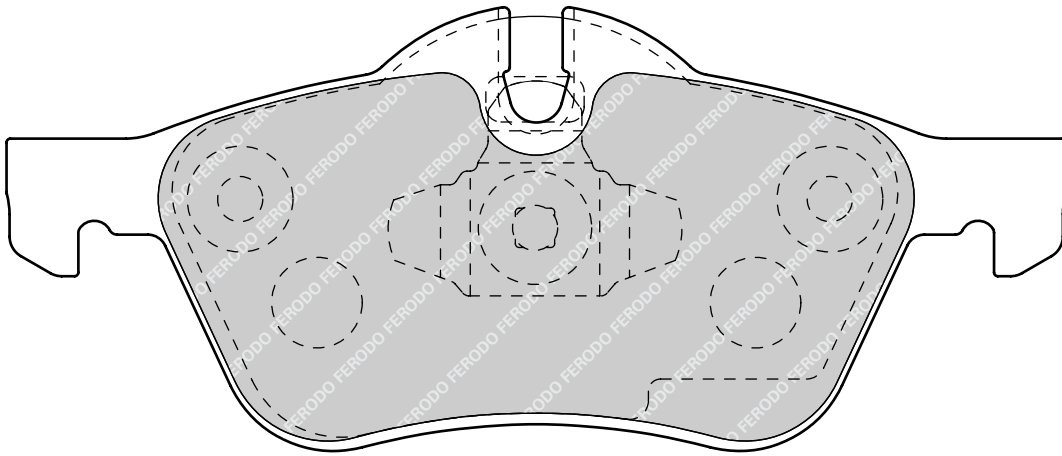
VOLKSWAGEN



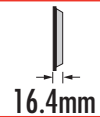
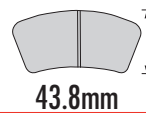
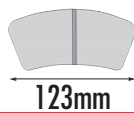
FDB1499



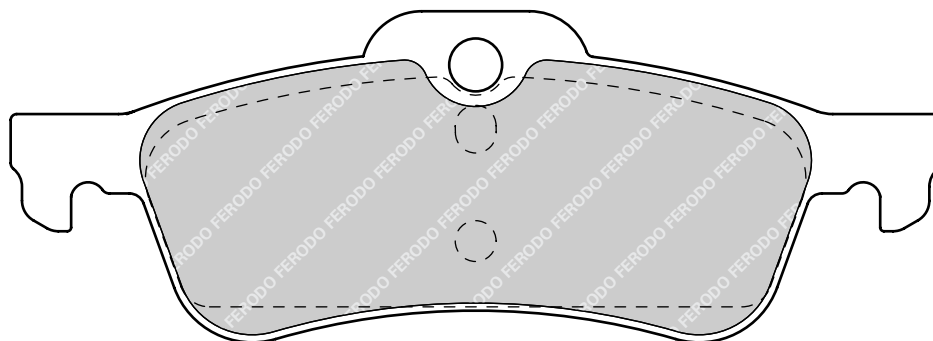
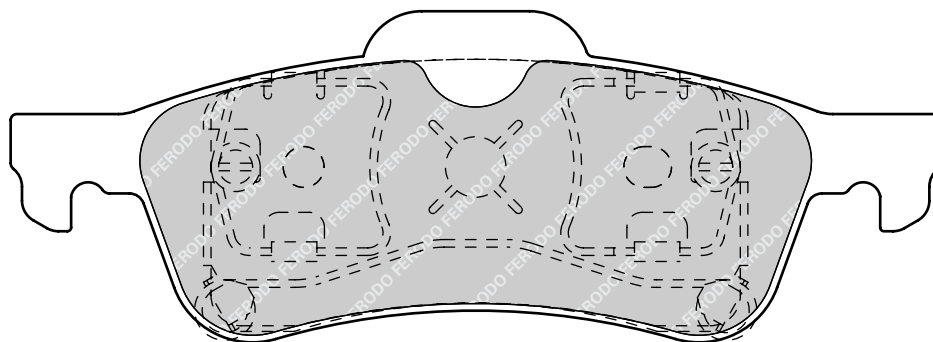
BMW



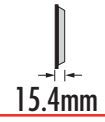
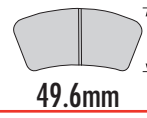
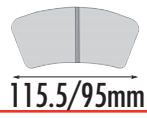
FDB1500



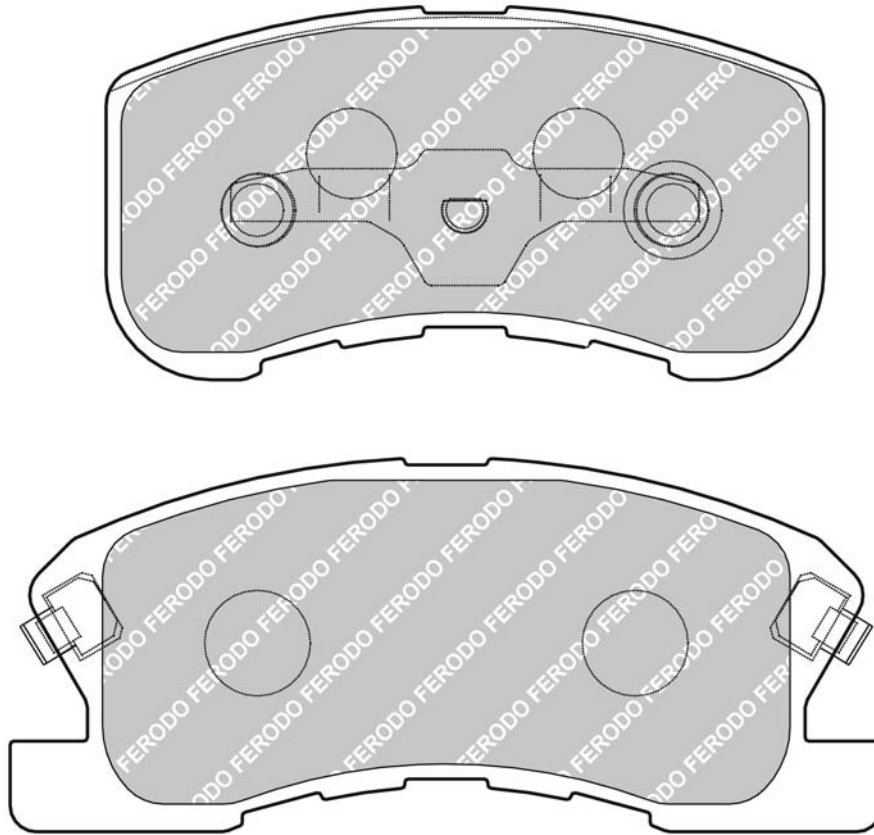
BMW



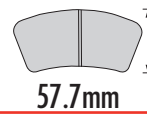
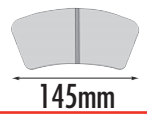
FDB1501



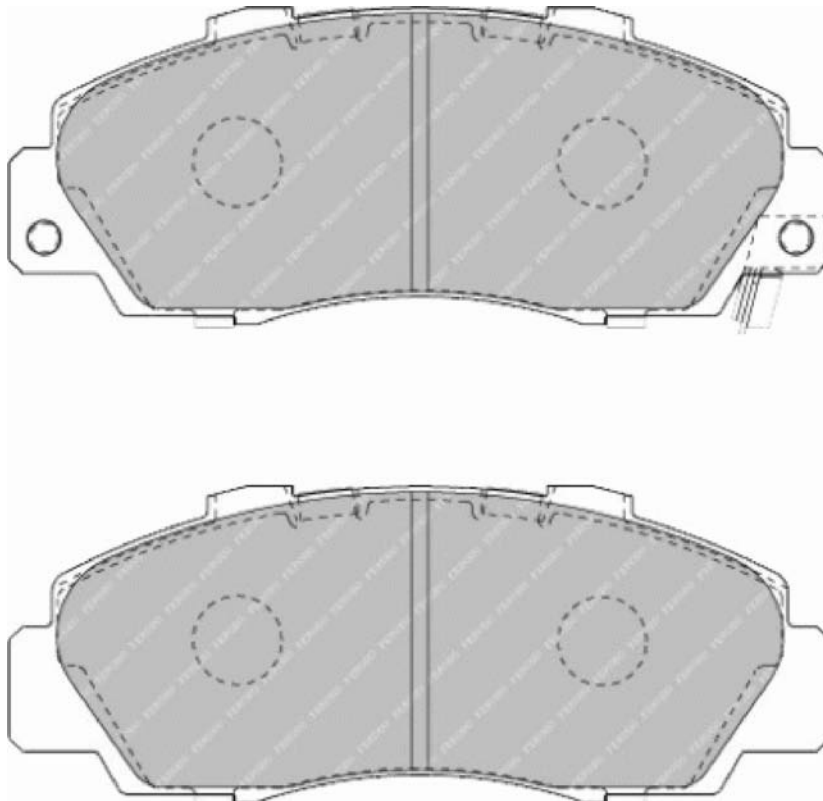
DAIHATSU



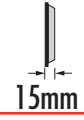
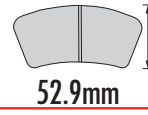
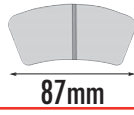
FDB1505



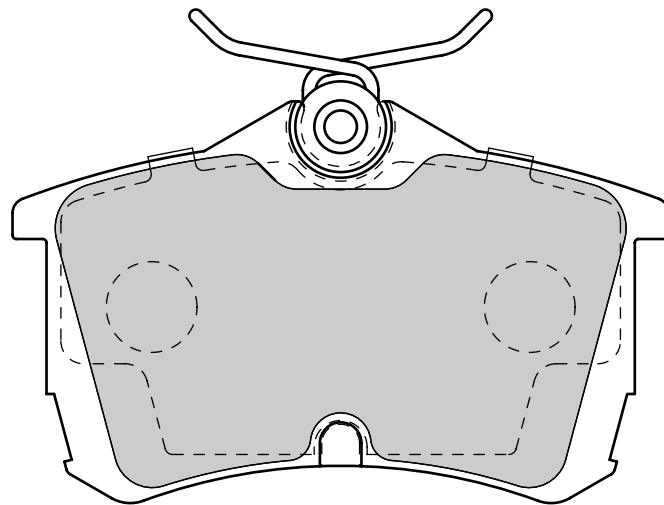
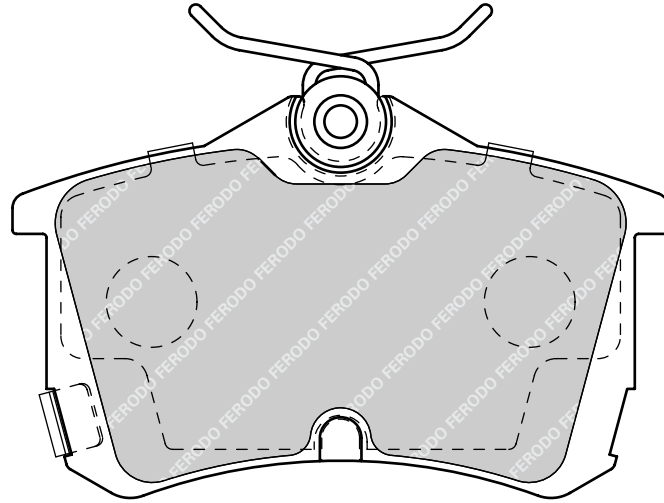
HONDA



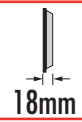
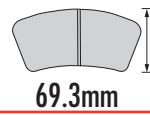
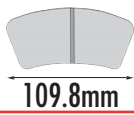
FDB1506



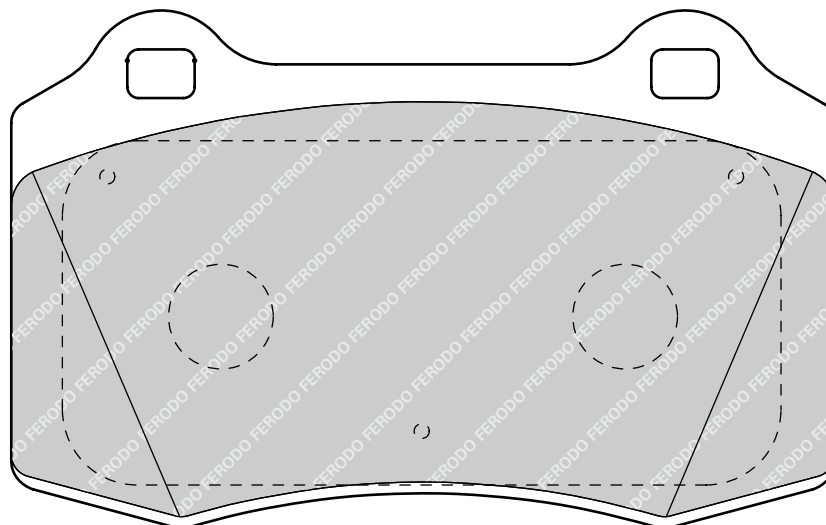
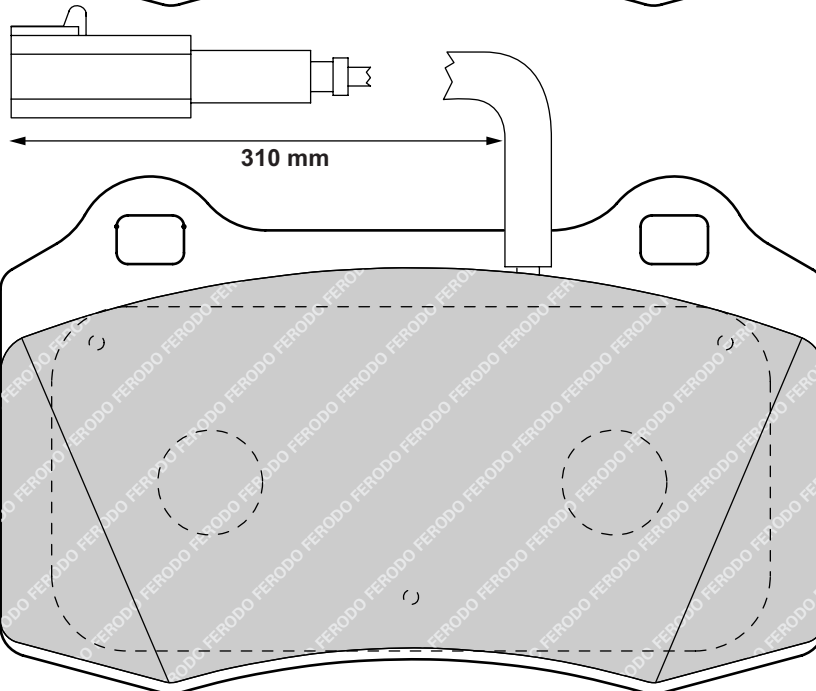
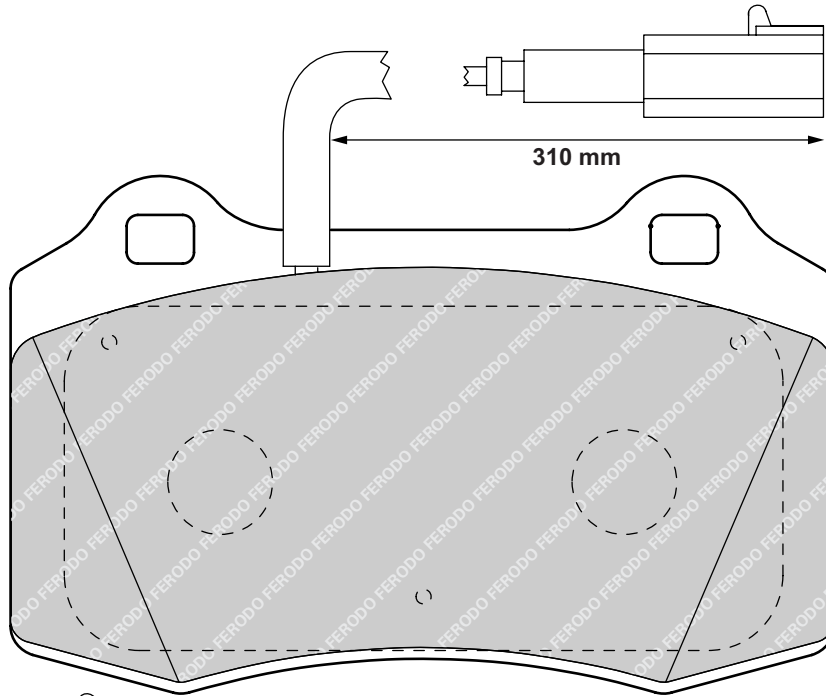
HONDA



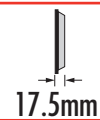
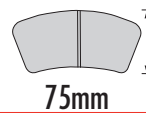
FDB1508



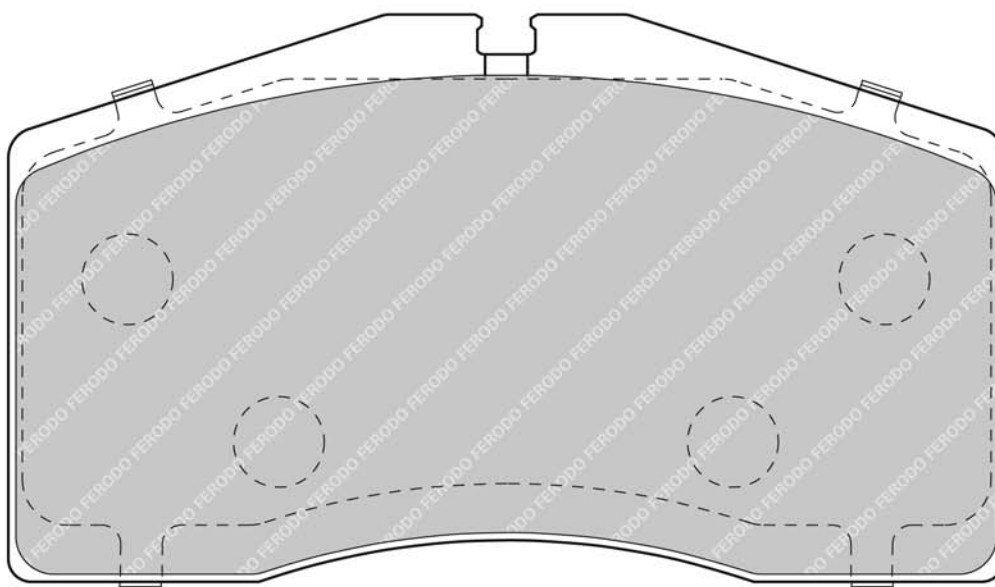
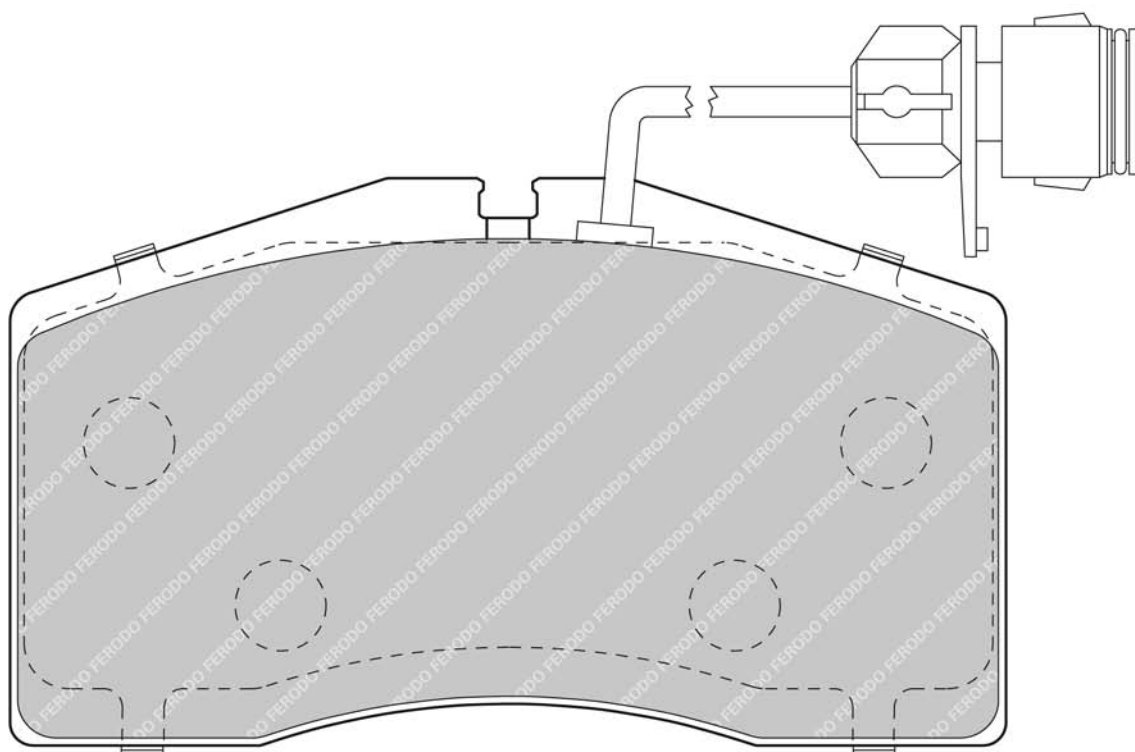
ALFA ROMEO



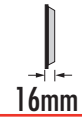
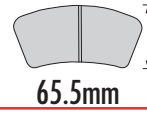
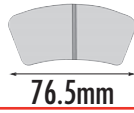
FDB1509



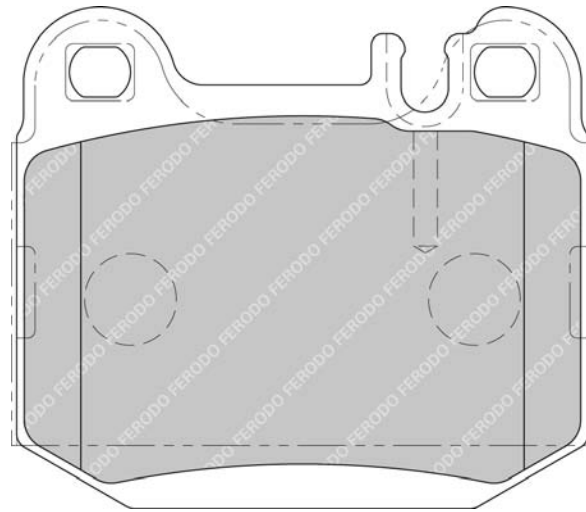
AUDI



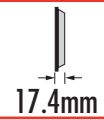
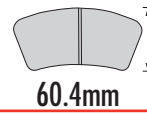
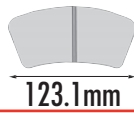
FDB1512



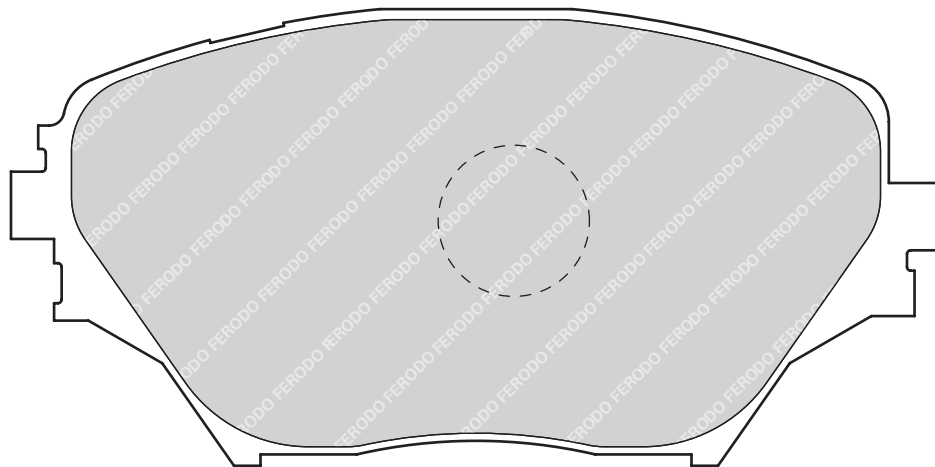
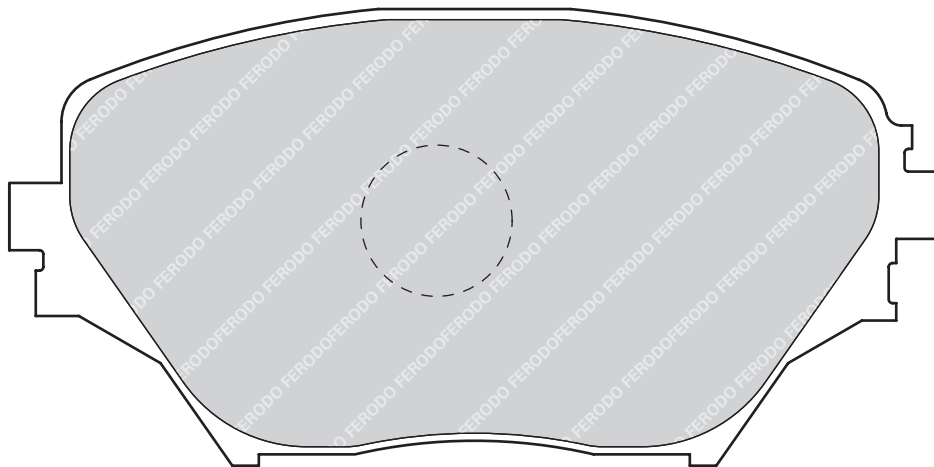
MERCEDES BENZ



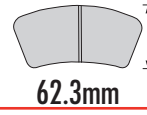
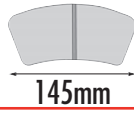
FDB1514



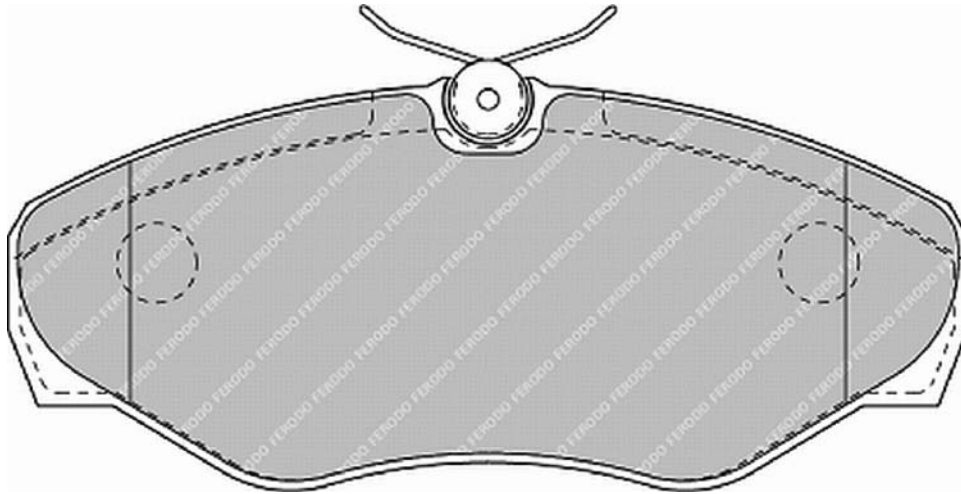
TOYOTA



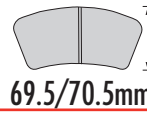
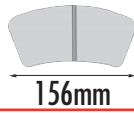
FDB1515



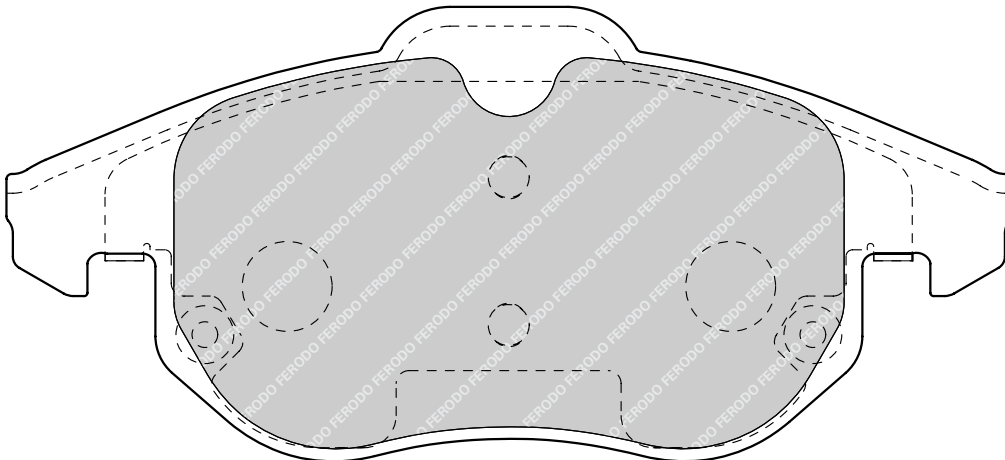
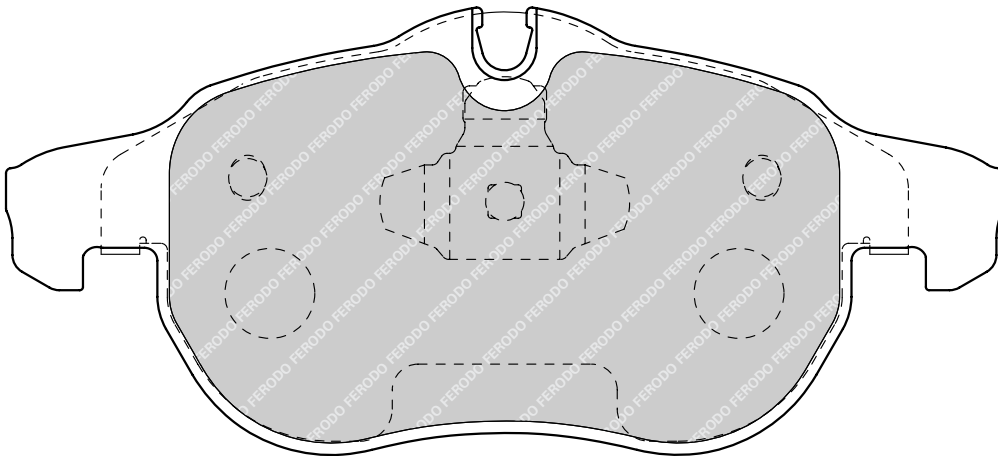
RENAULT



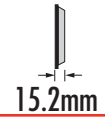
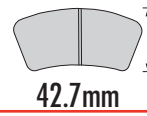
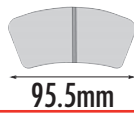
FDB1520



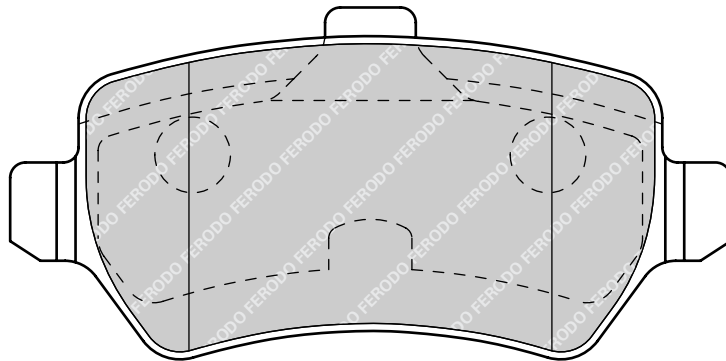
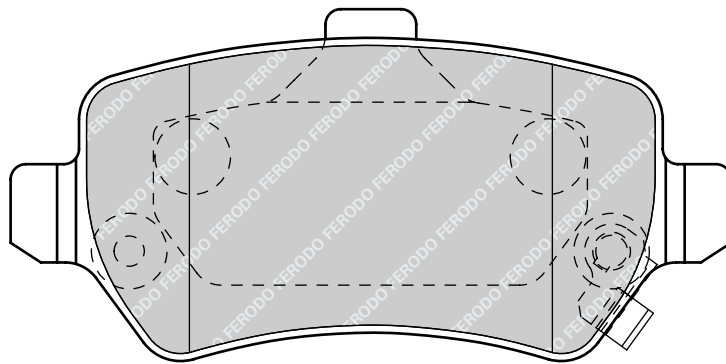
FIAT, OPEL, SAAB



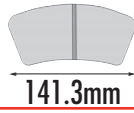
FDB1521



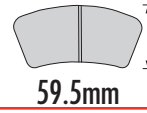
OPEL



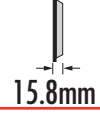
FDB1526



141.3mm

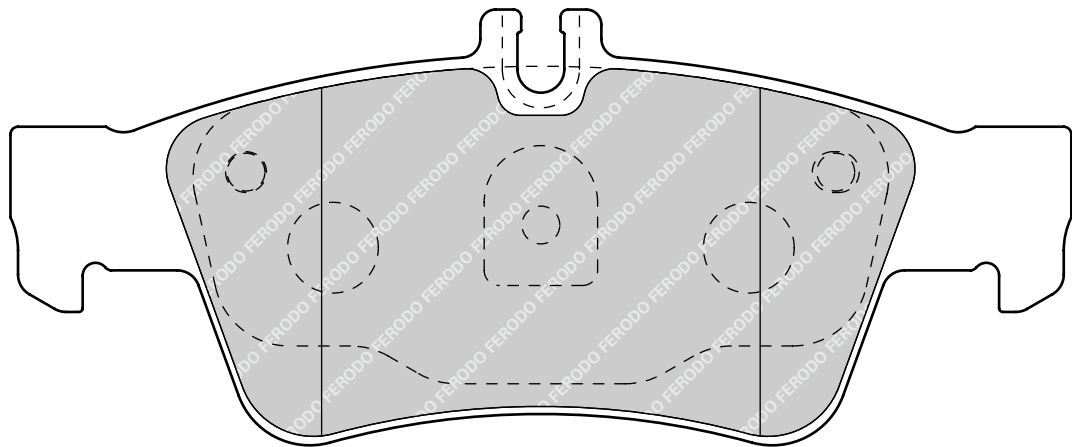
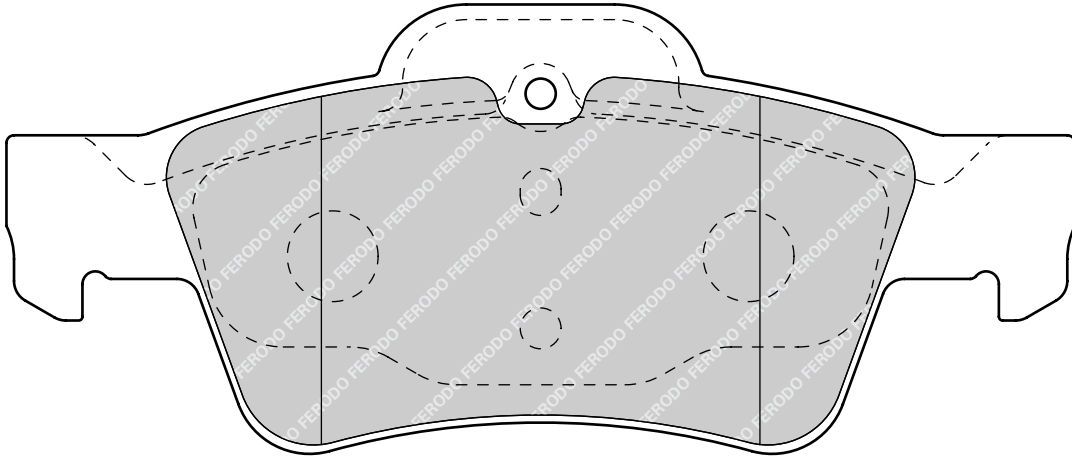


59.5mm

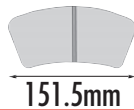


15.8mm

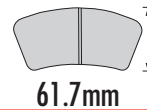
MERCEDES BENZ



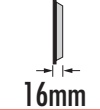
FDB1527



151.5mm

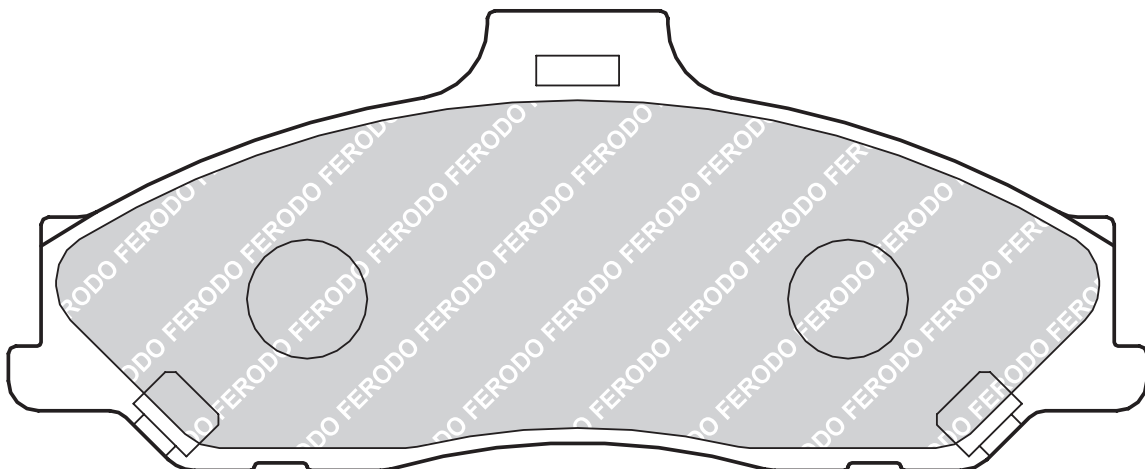


61.7mm

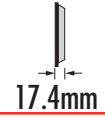
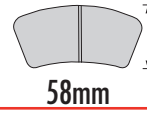
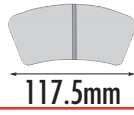


16mm

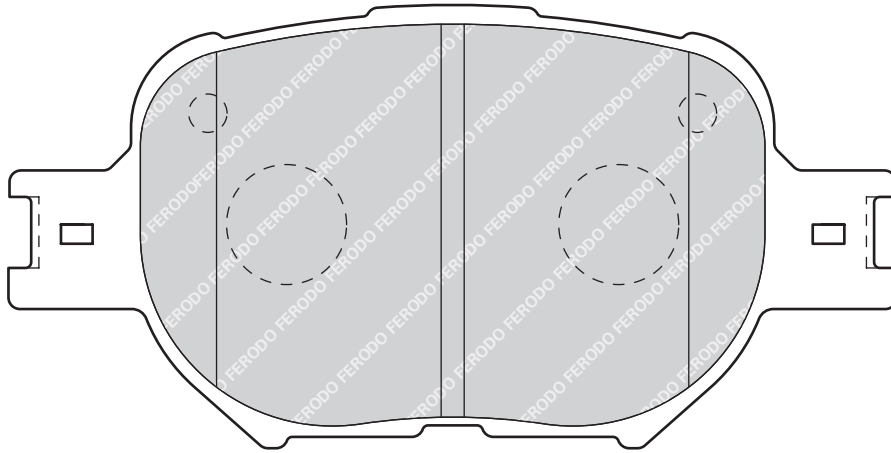
FORD, MAZDA



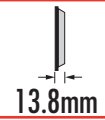
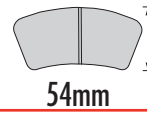
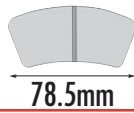
FDB1528



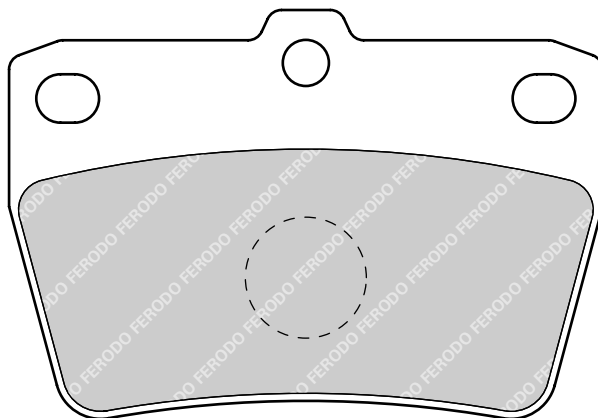
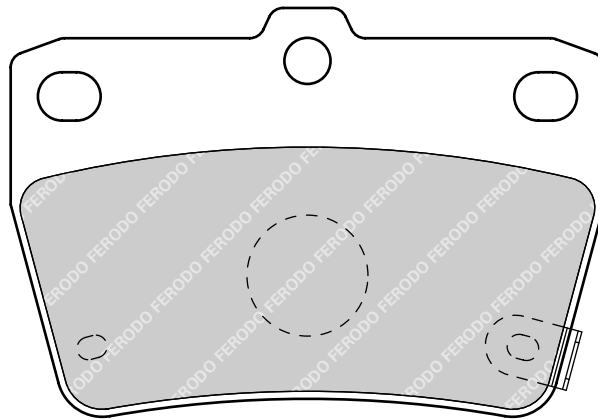
TOYOTA



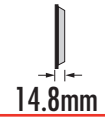
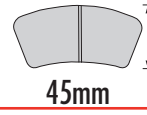
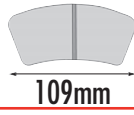
FDB1531



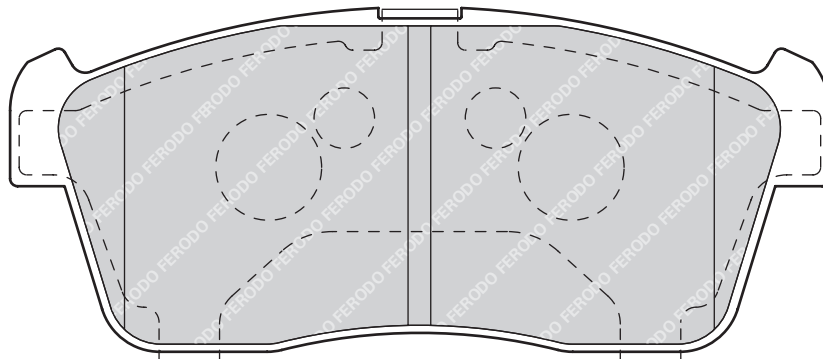
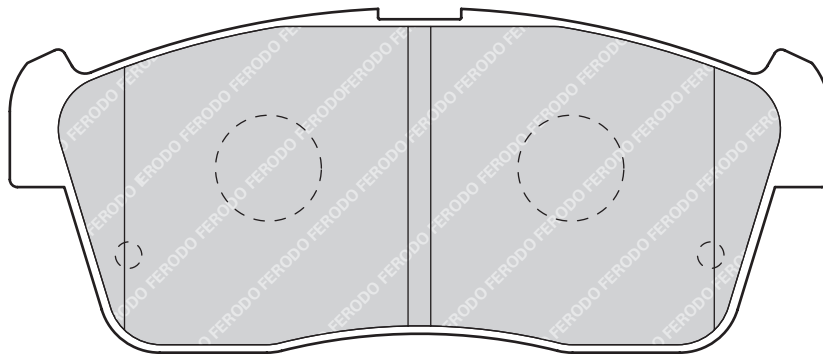
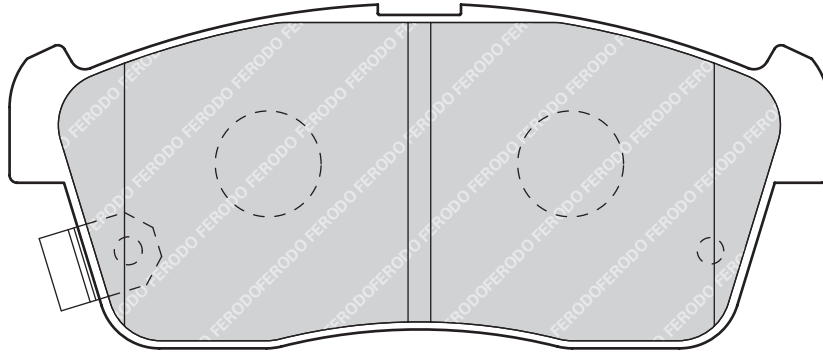
TOYOTA



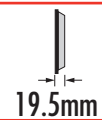
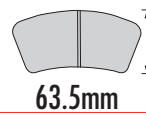
FDB1532



DAIHATSU



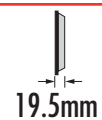
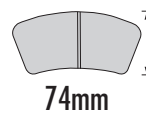
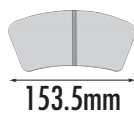
FDB1534



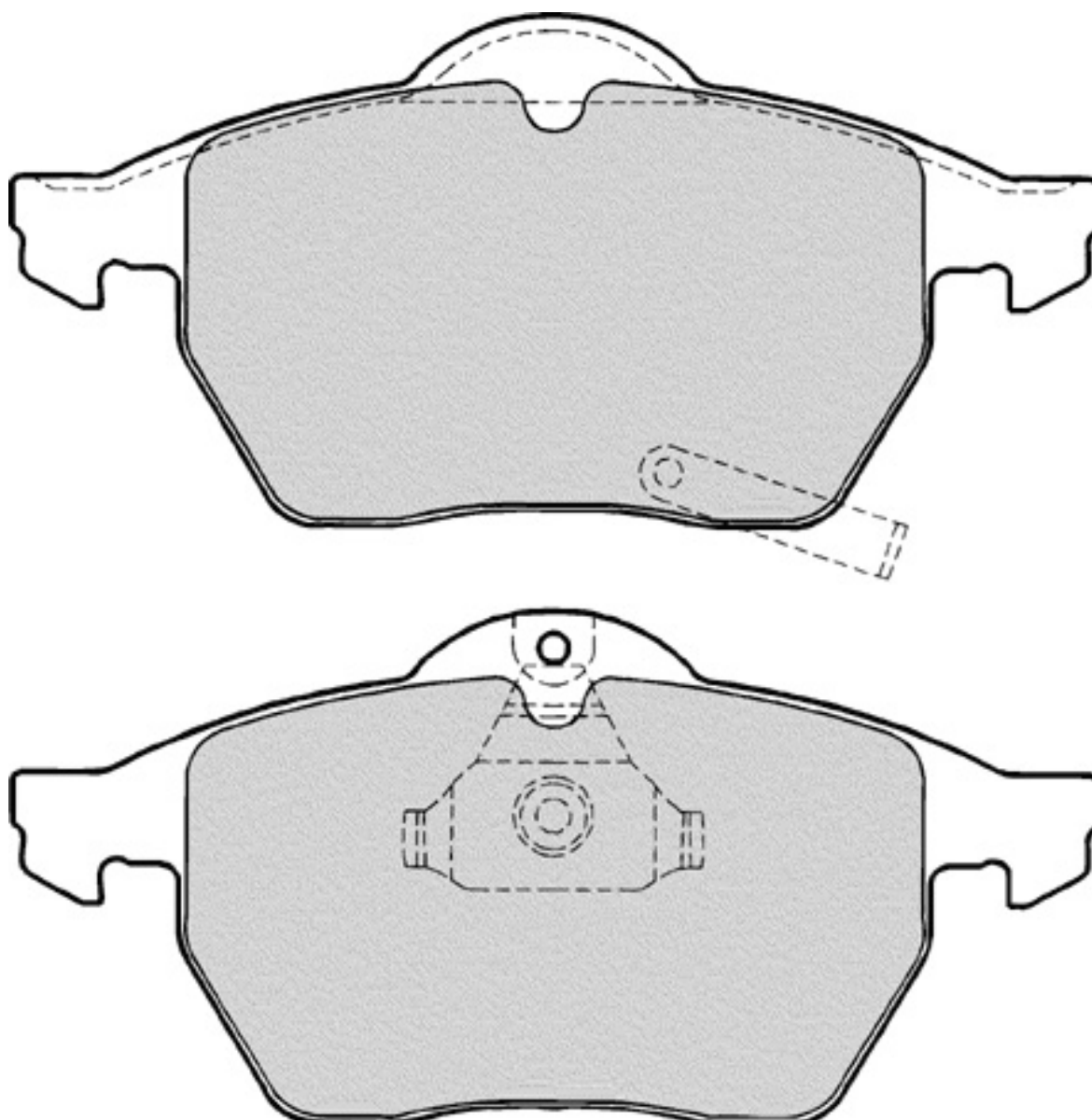
BMW

USE FDB1073

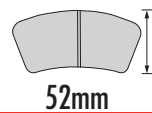
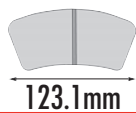
FDB1535



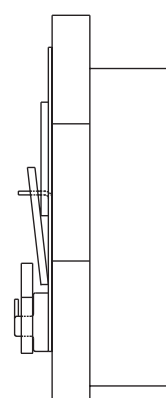
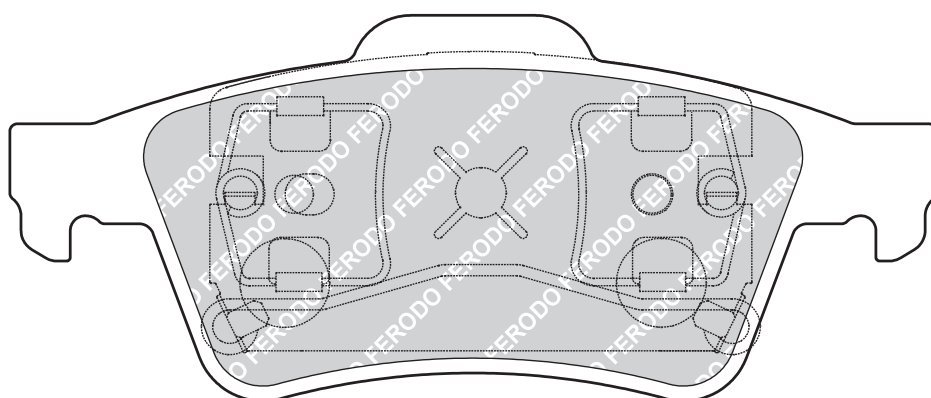
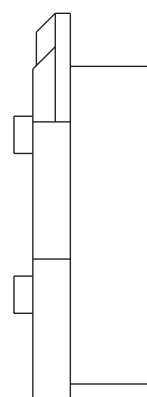
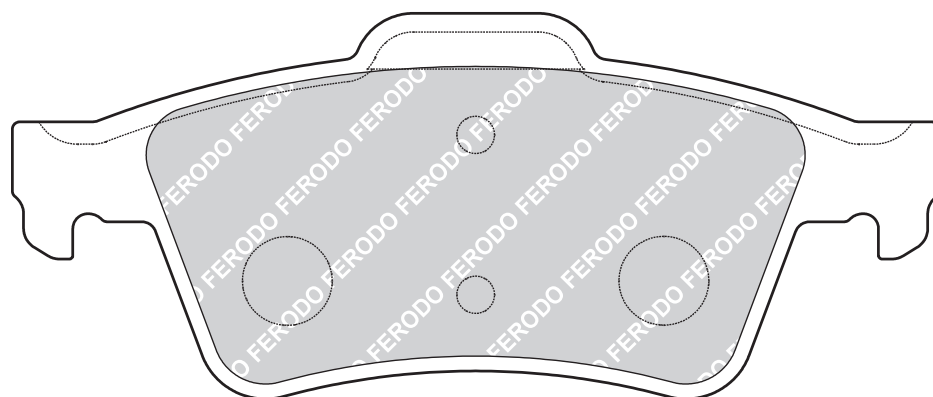
SAAB



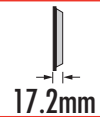
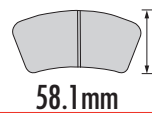
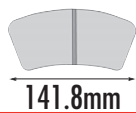
FDB1540



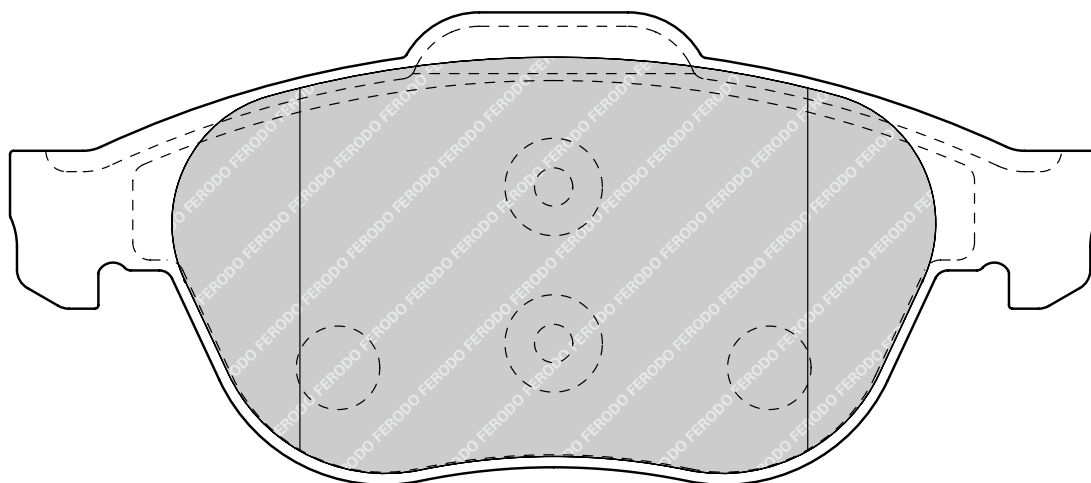
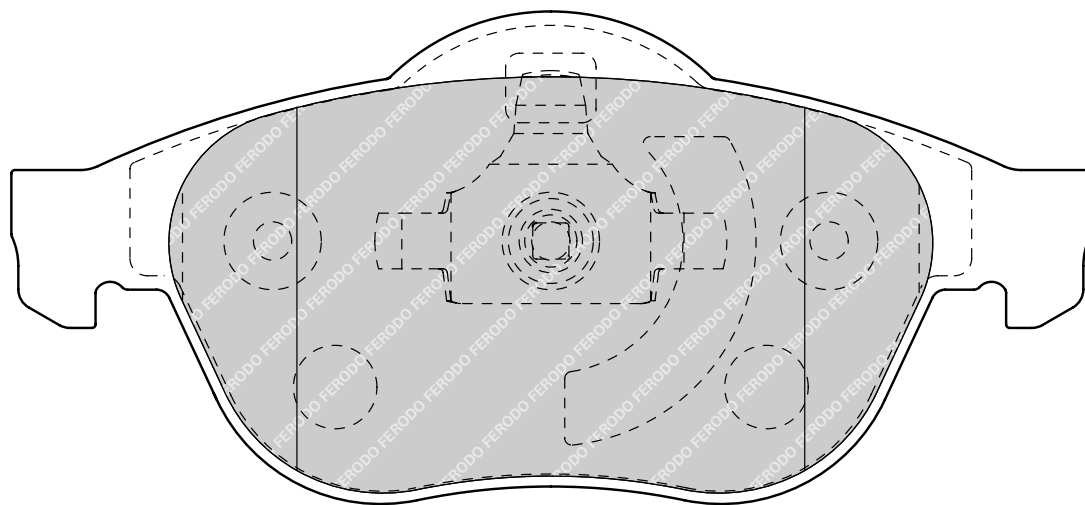
RENAULT



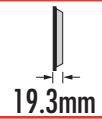
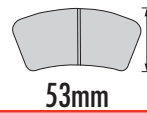
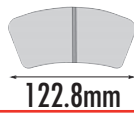
FDB1541



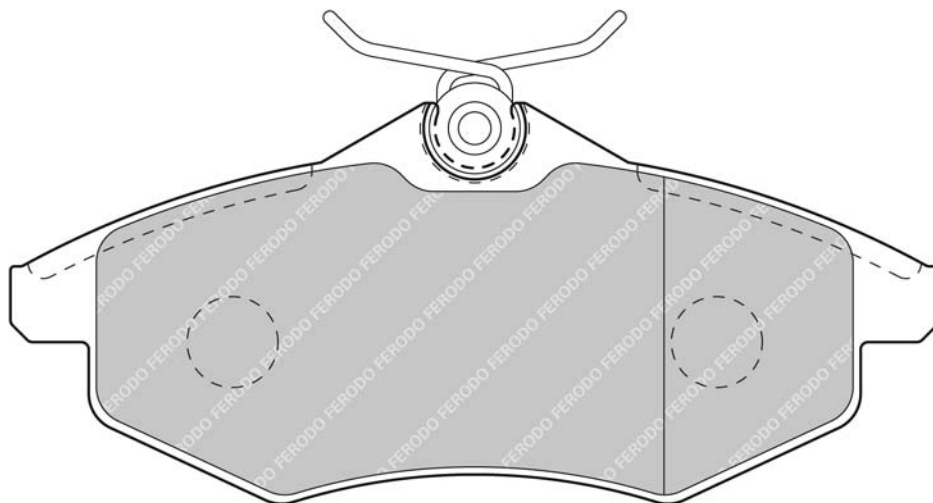
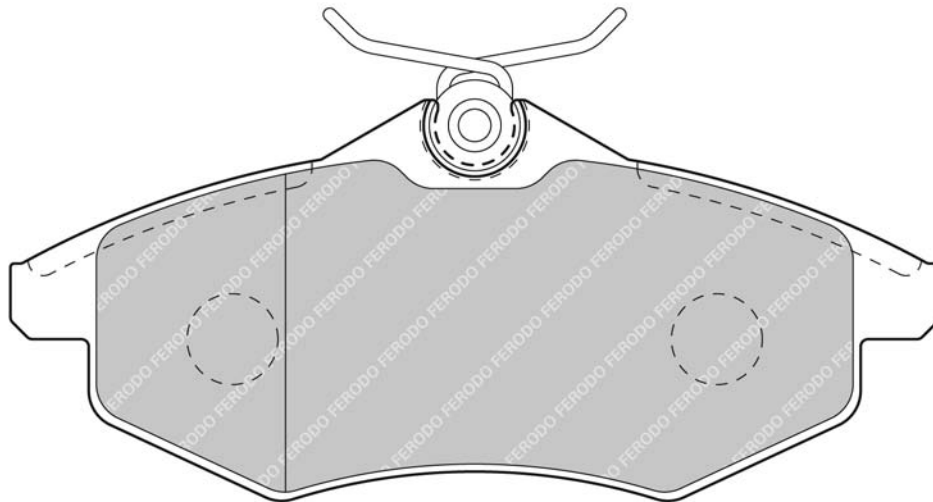
RENAULT



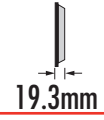
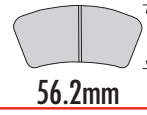
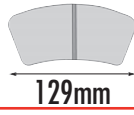
FDB1542



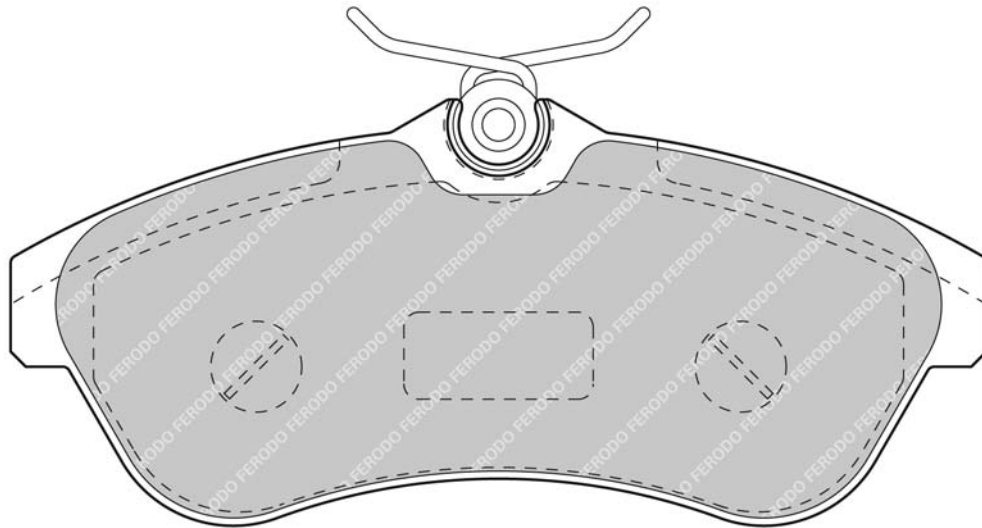
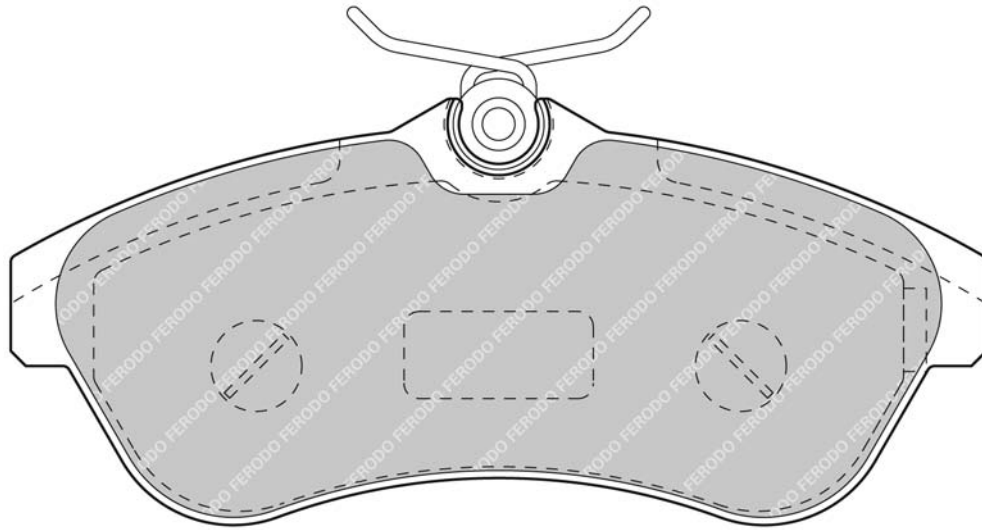
CITROEN



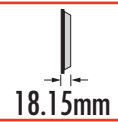
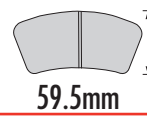
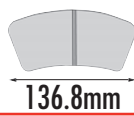
FDB1543



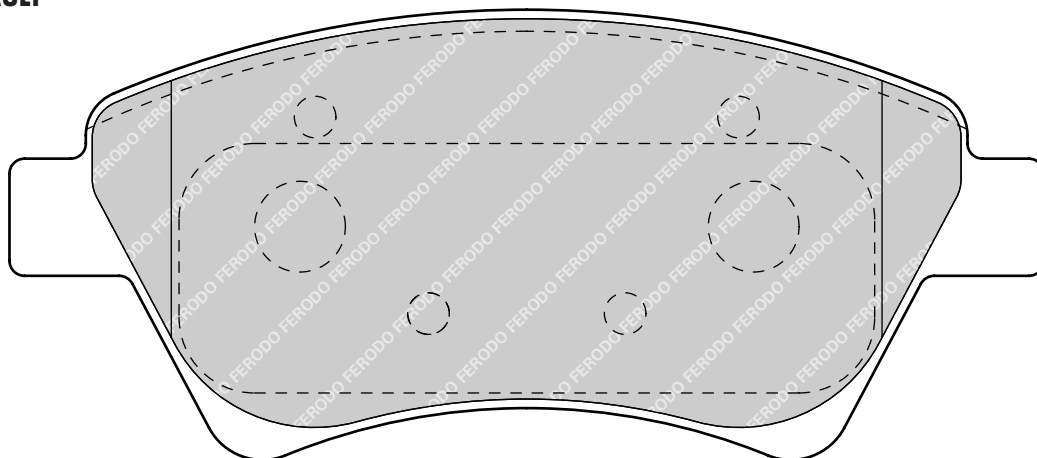
CITROEN



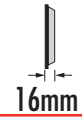
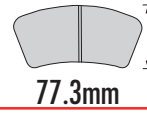
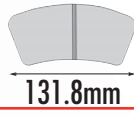
FDB1544



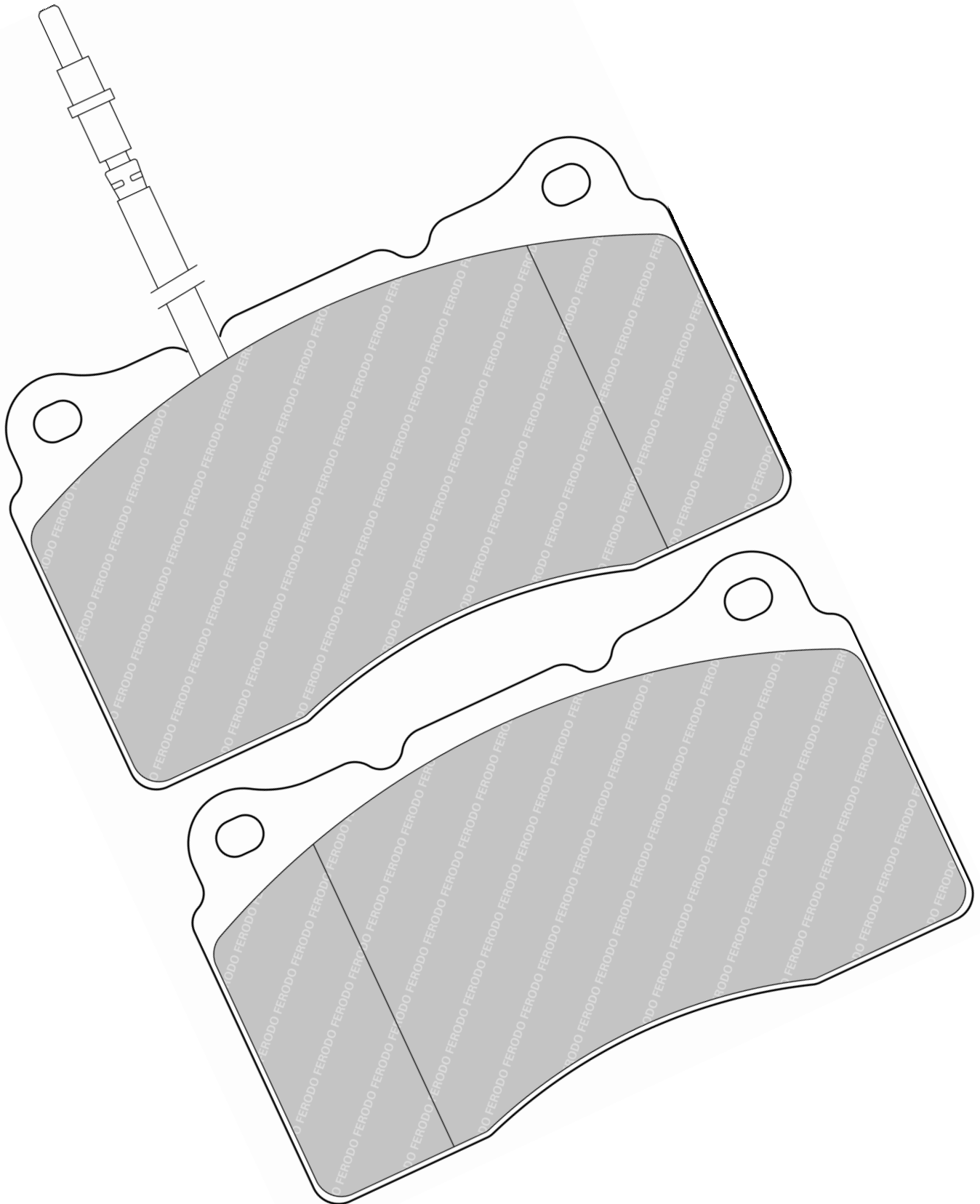
RENAULT



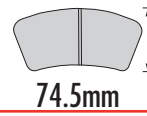
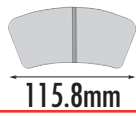
FDB1545



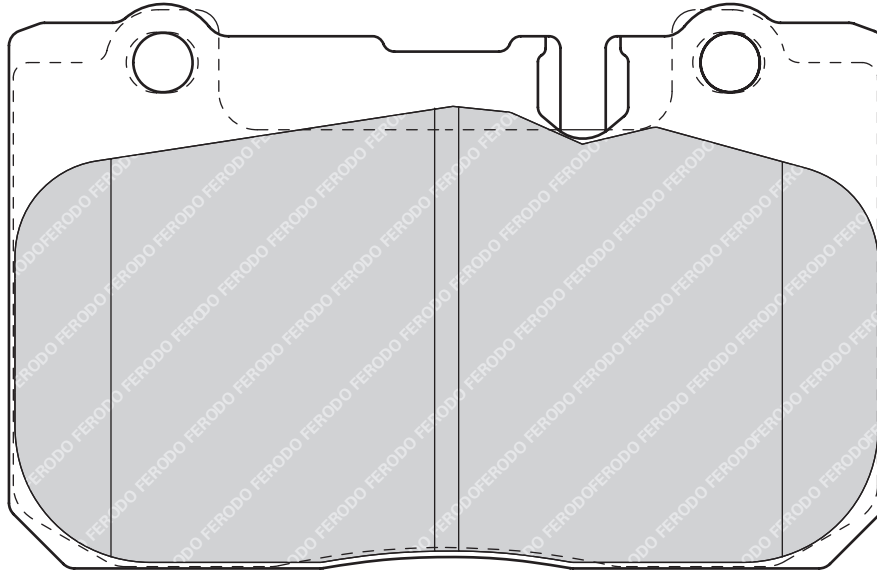
PEUGEOT



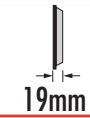
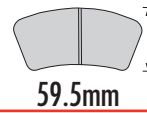
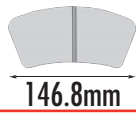
FDB1554



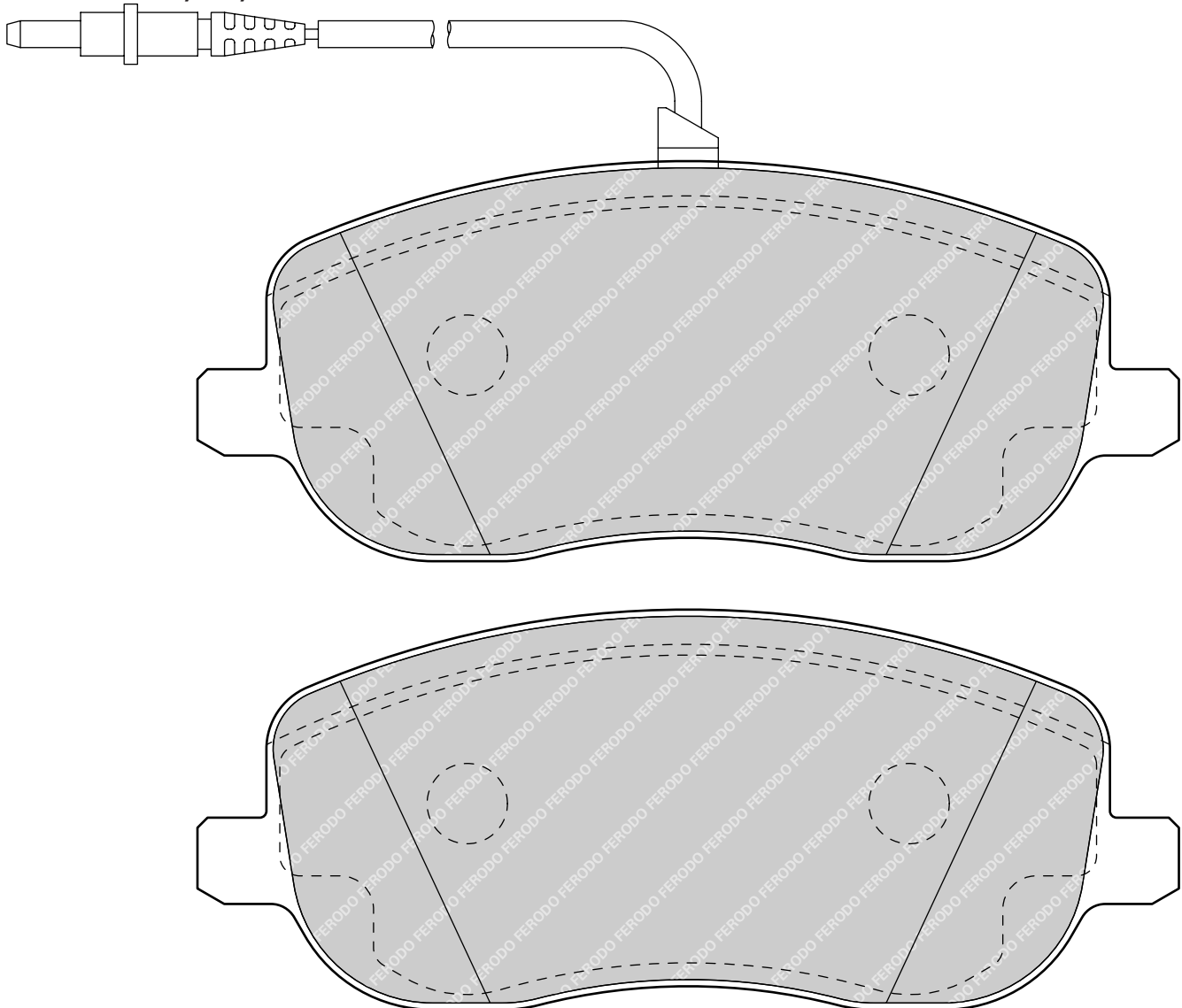
TOYOTA



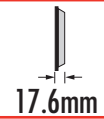
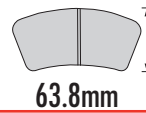
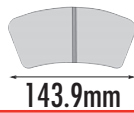
FDB1556



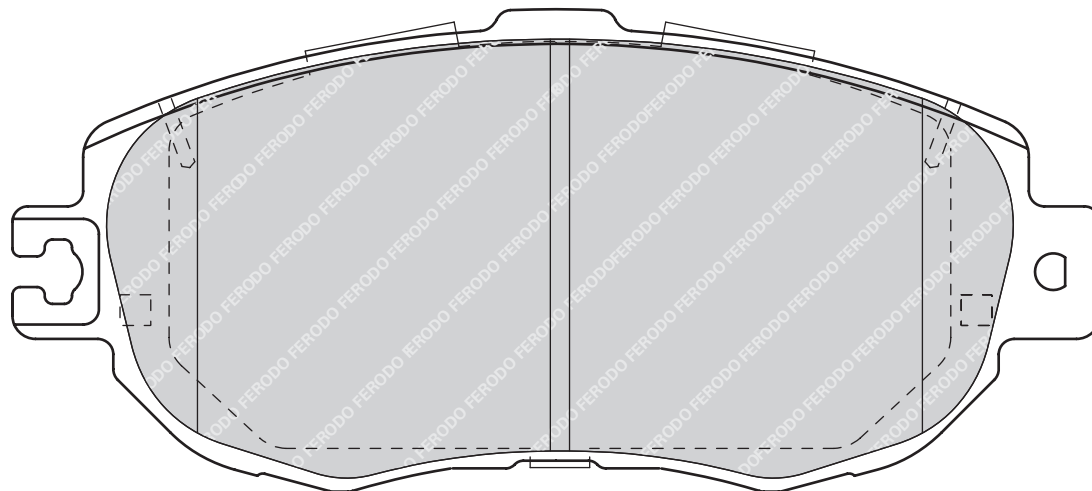
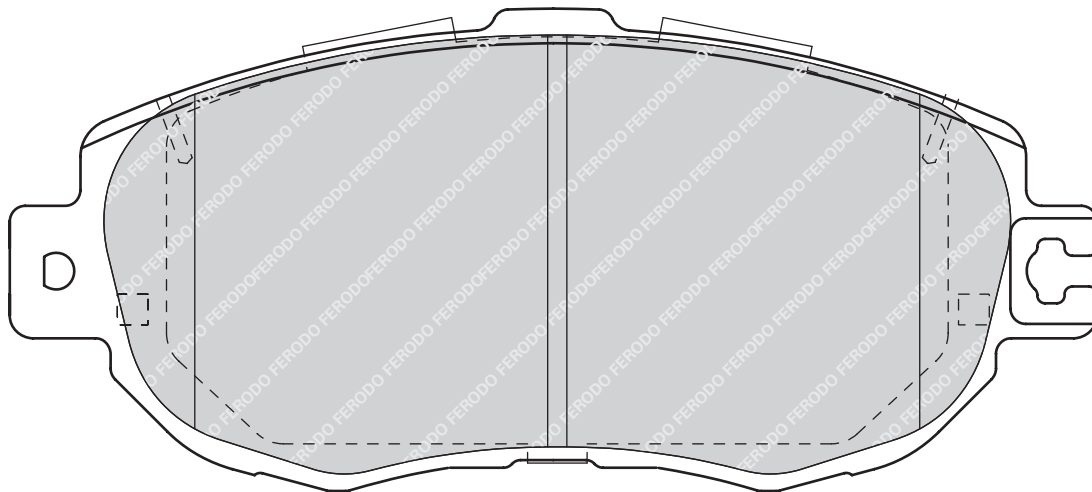
CITROEN, FIAT, PEUGEOT



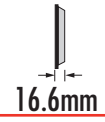
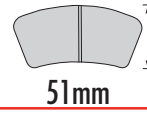
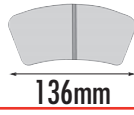
FDB1558



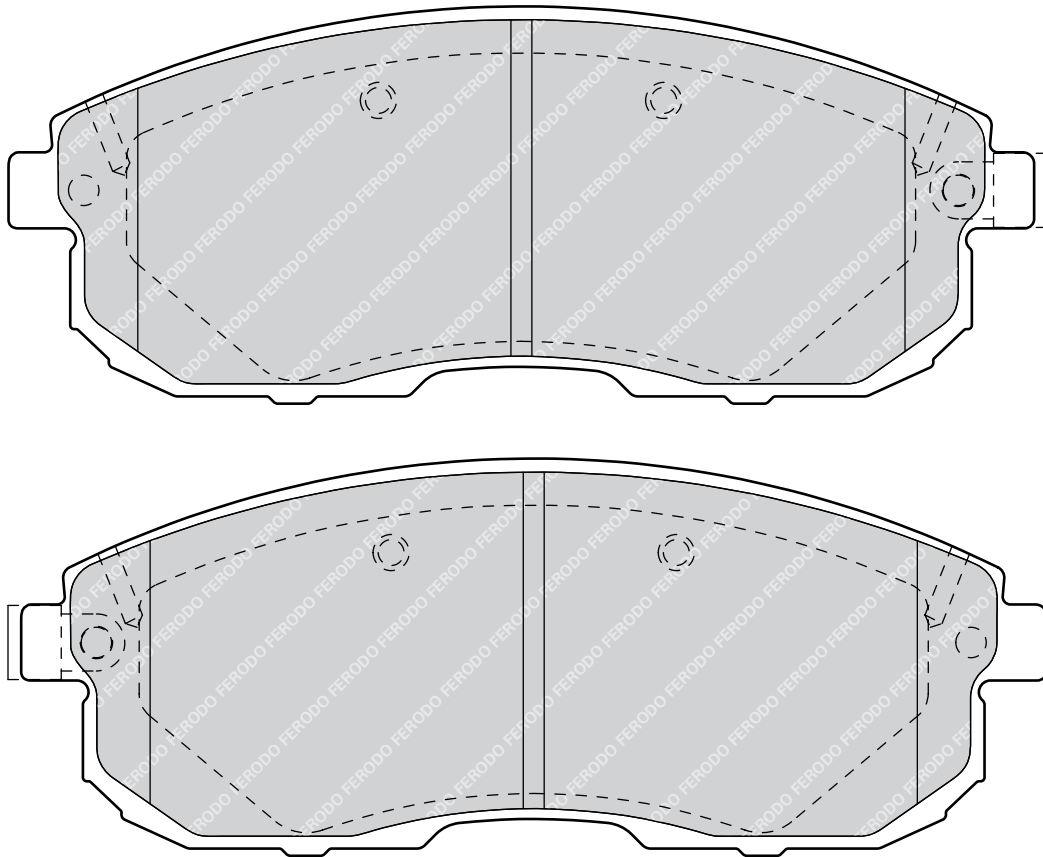
TOYOTA



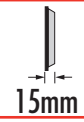
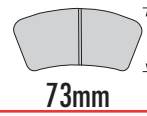
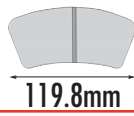
FDB1559



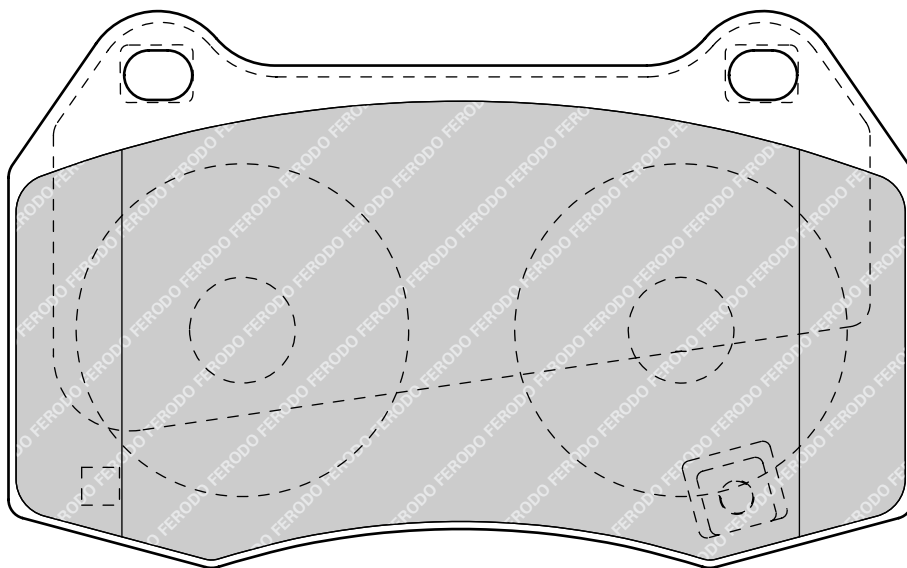
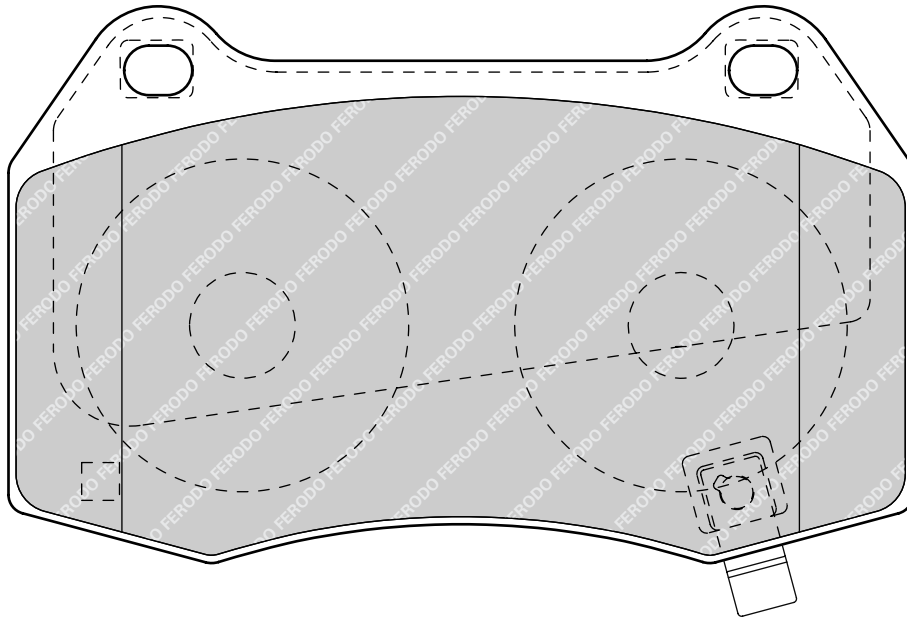
NISSAN



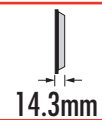
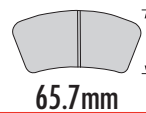
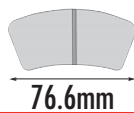
FDB1561



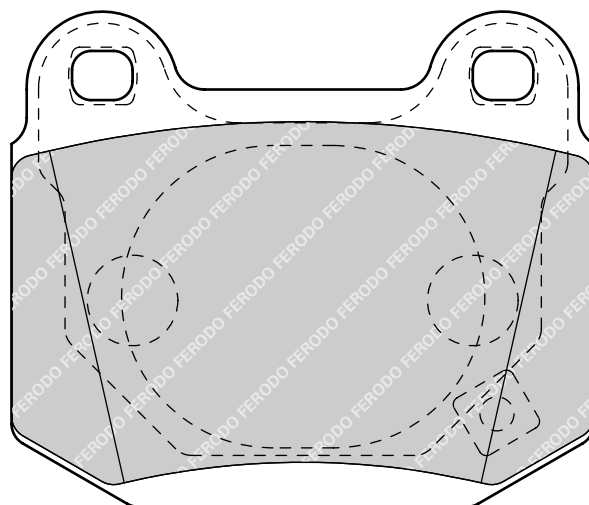
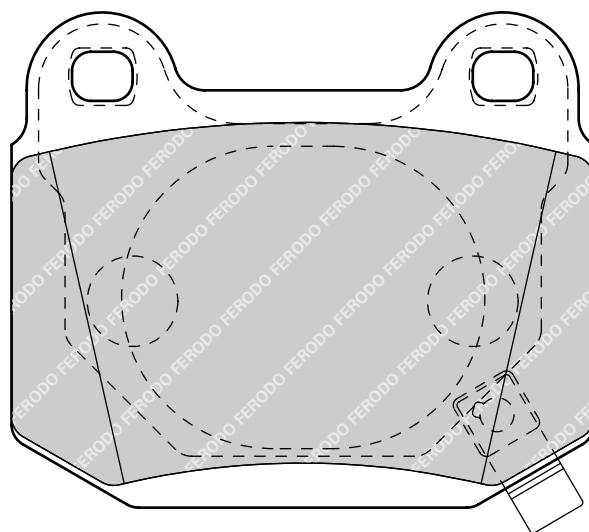
NISSAN



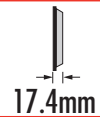
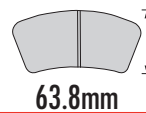
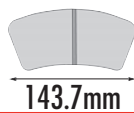
FDB1562



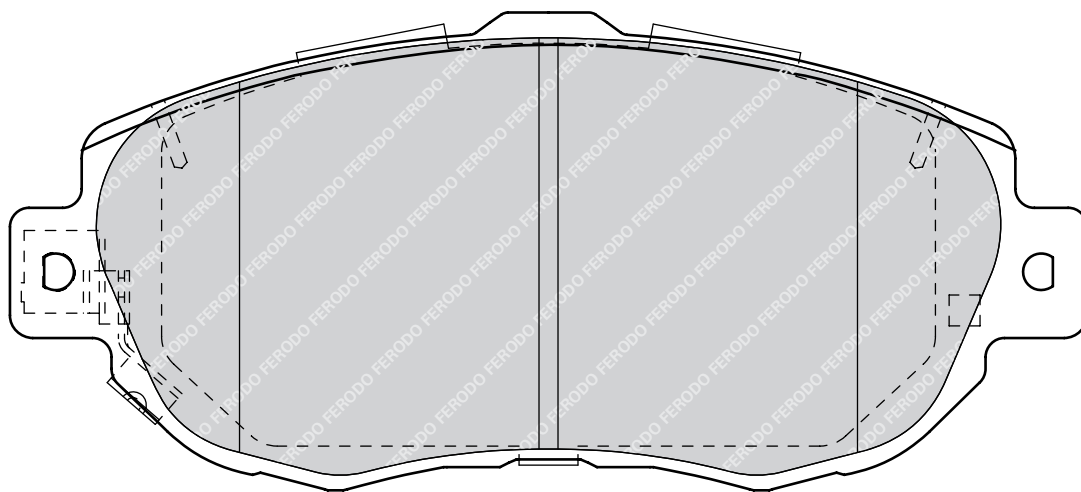
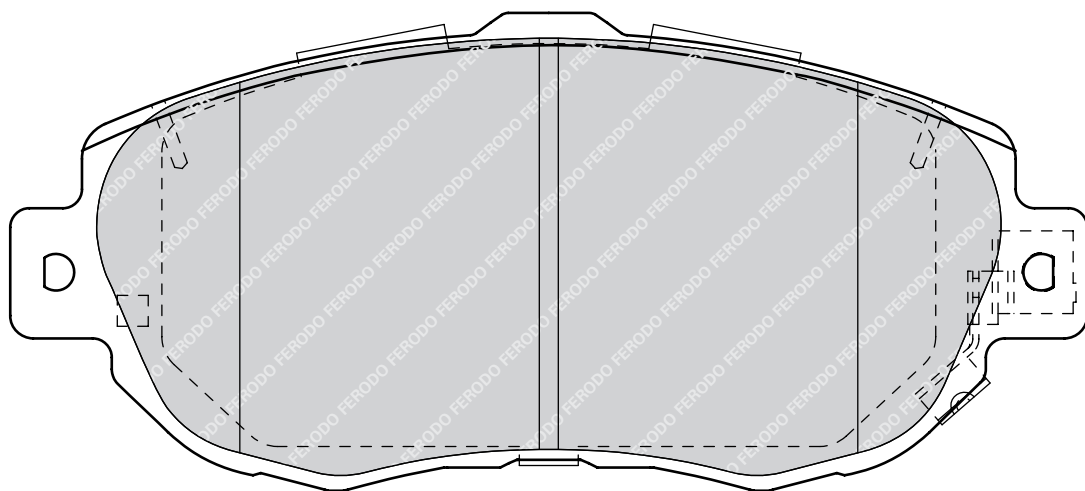
NISSAN



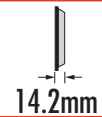
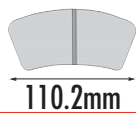
FDB1564



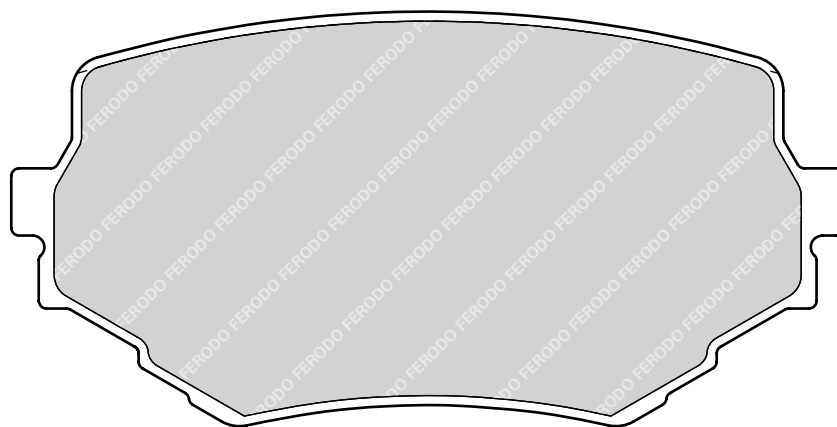
TOYOTA



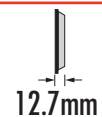
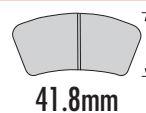
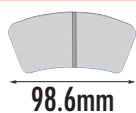
FDB1565



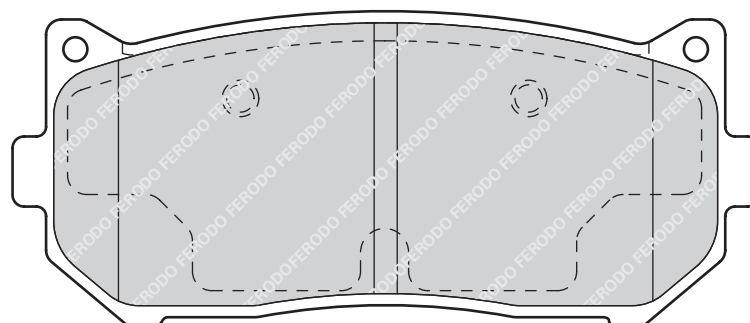
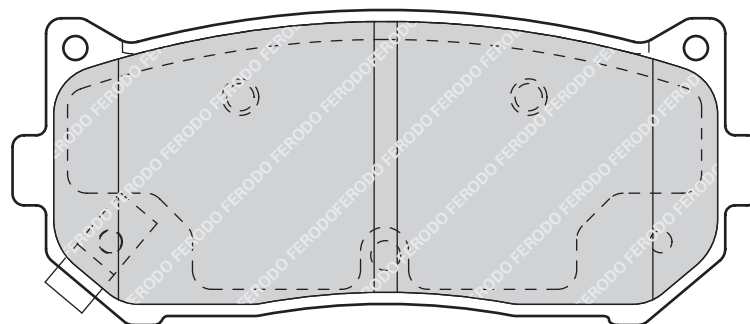
SUZUKI



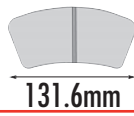
FDB1569



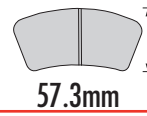
KIA



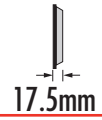
FDB1573



131.6mm

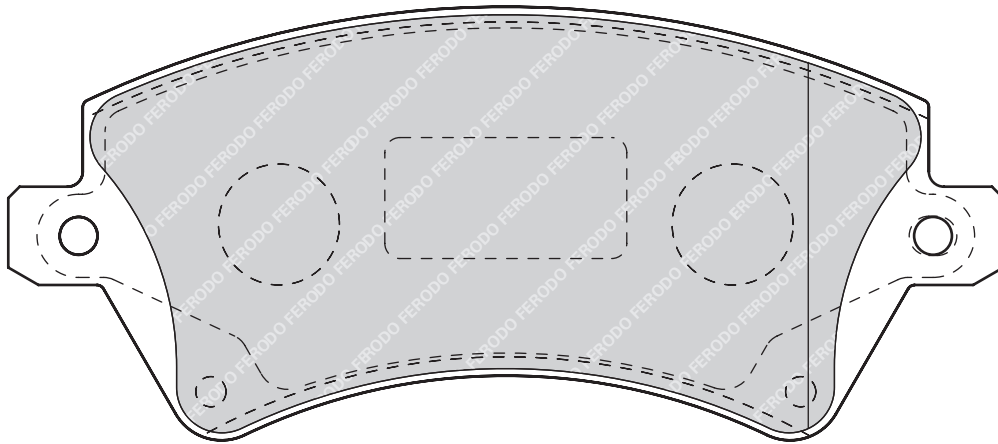
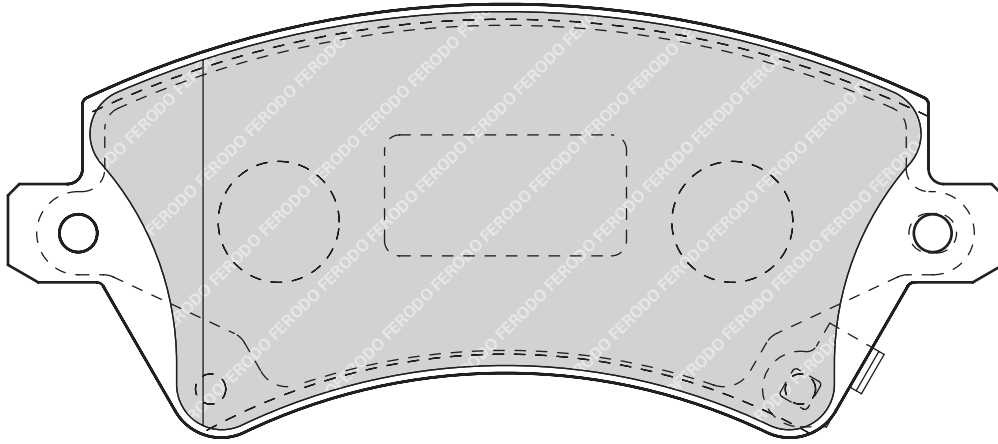


57.3mm

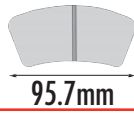


17.5mm

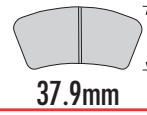
TOYOTA



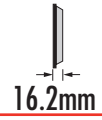
FDB1574



95.7mm

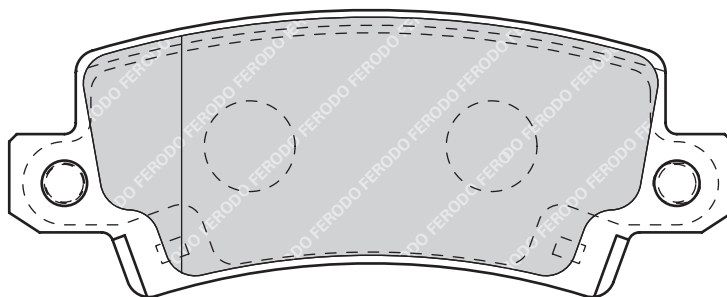
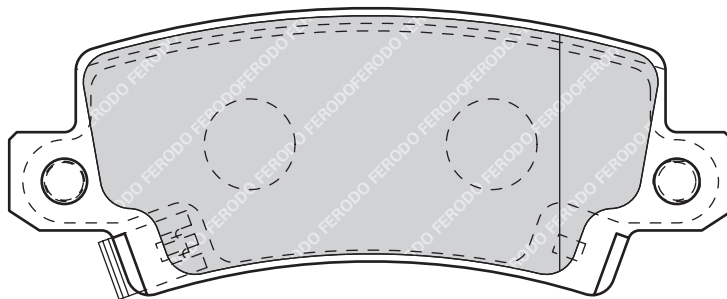


37.9mm

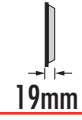
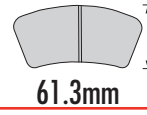
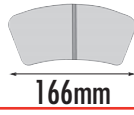


16.2mm

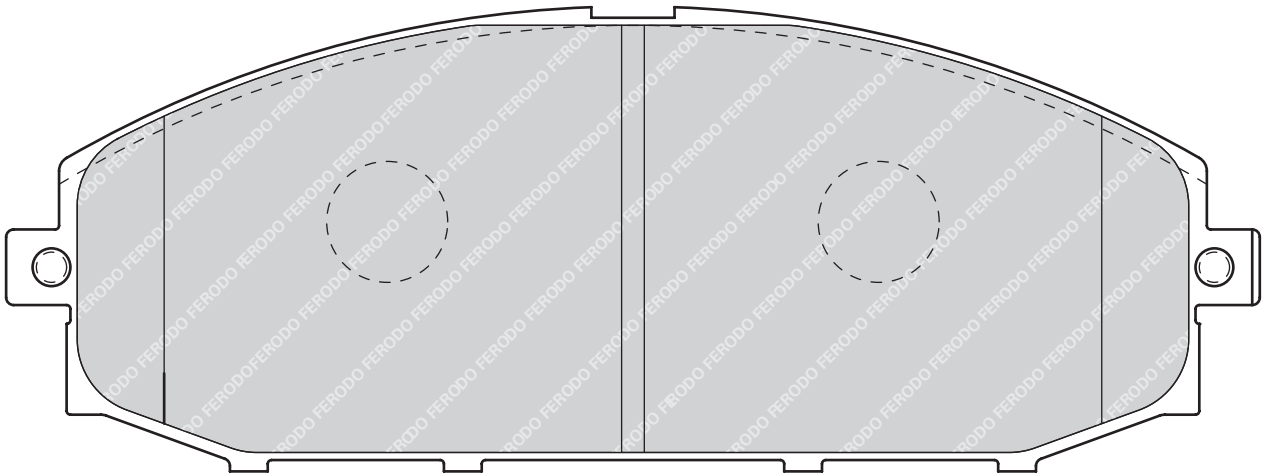
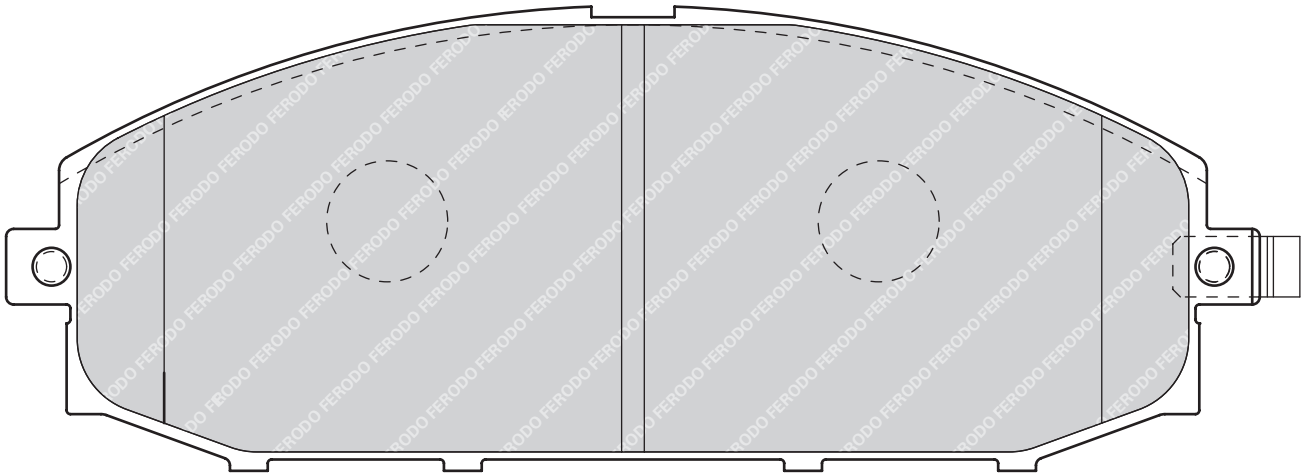
TOYOTA



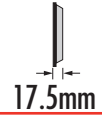
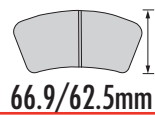
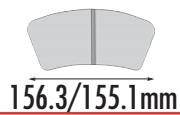
FDB1577



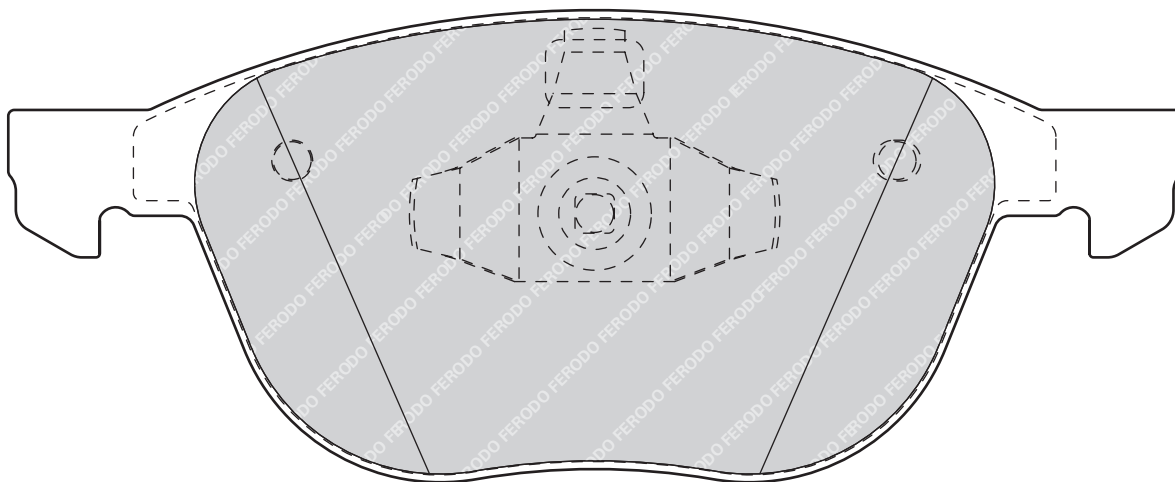
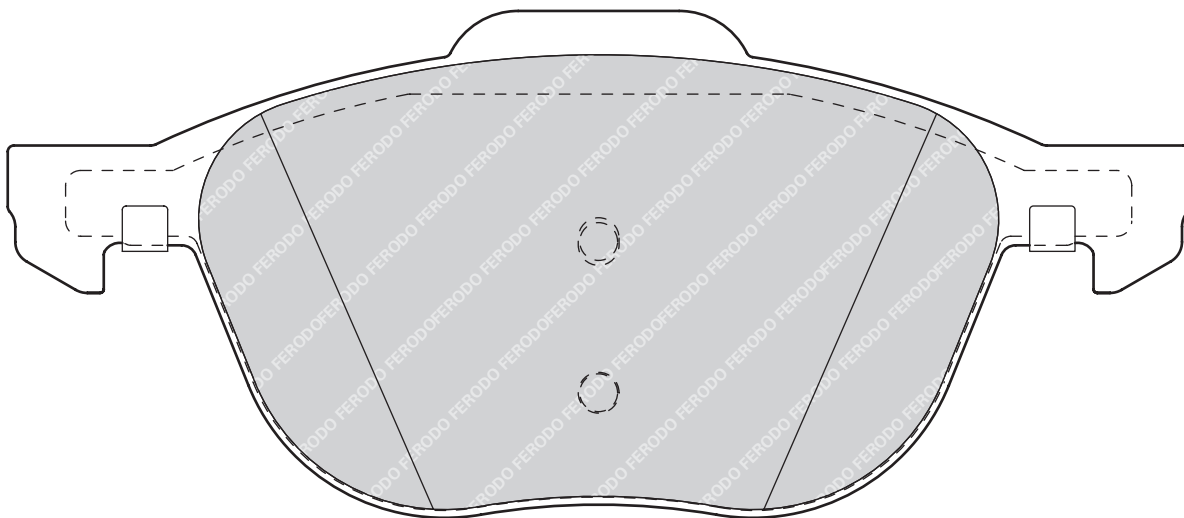
NISSAN



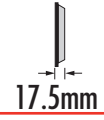
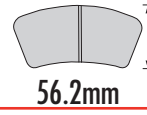
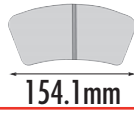
FDB1594



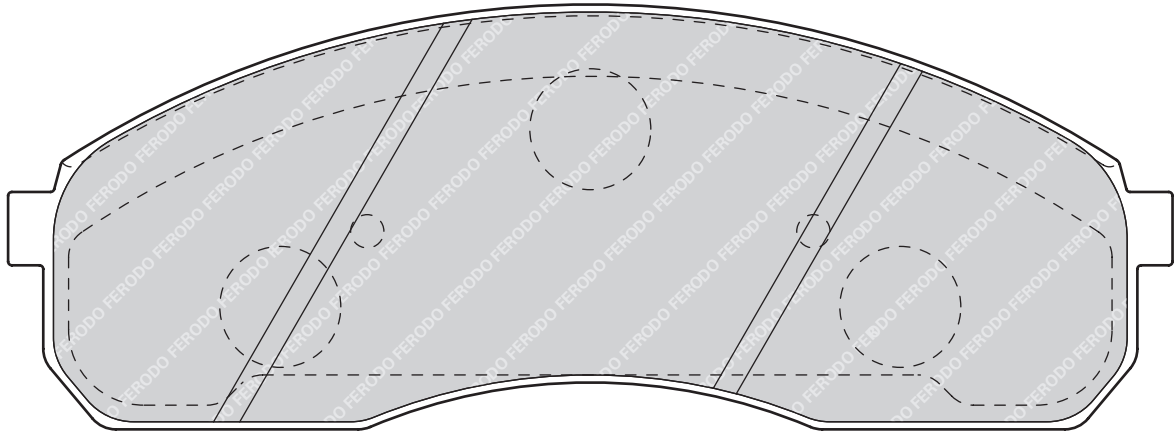
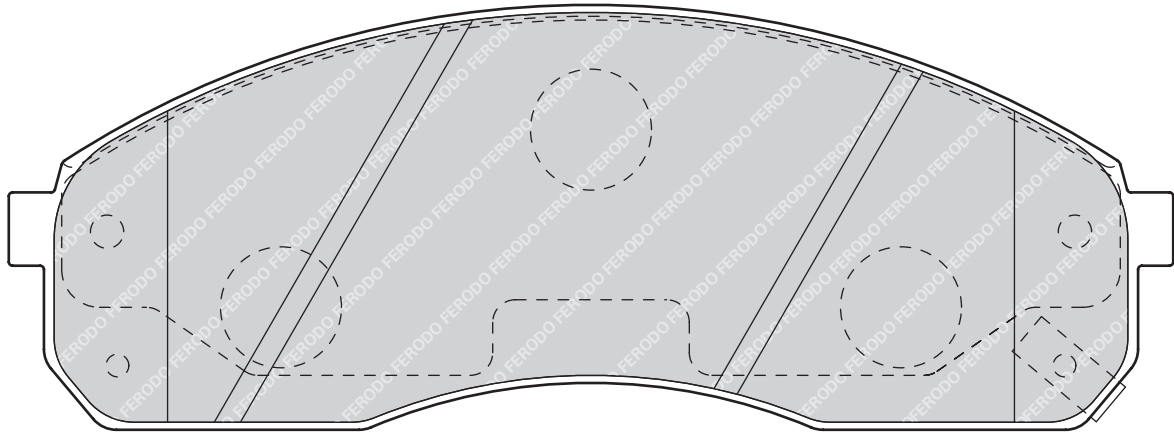
MAZDA, VOLVO



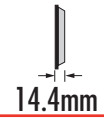
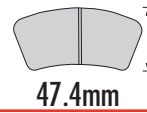
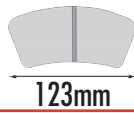
FDB1595



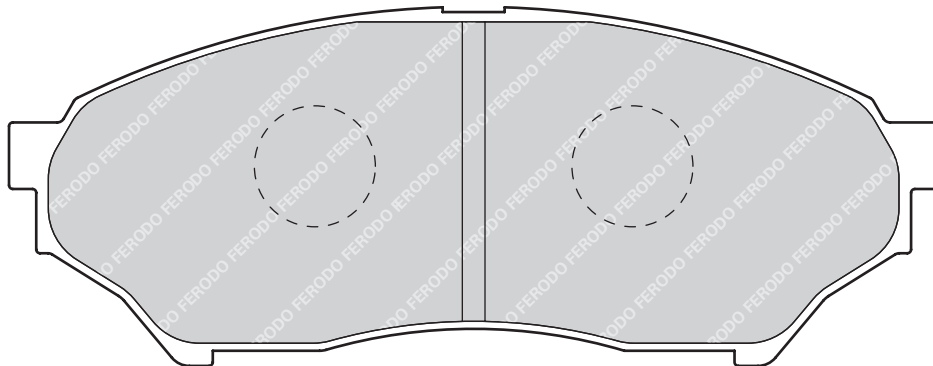
HYUNDAI, KIA



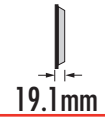
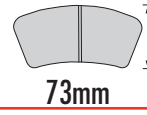
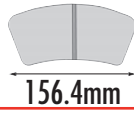
FDB1596



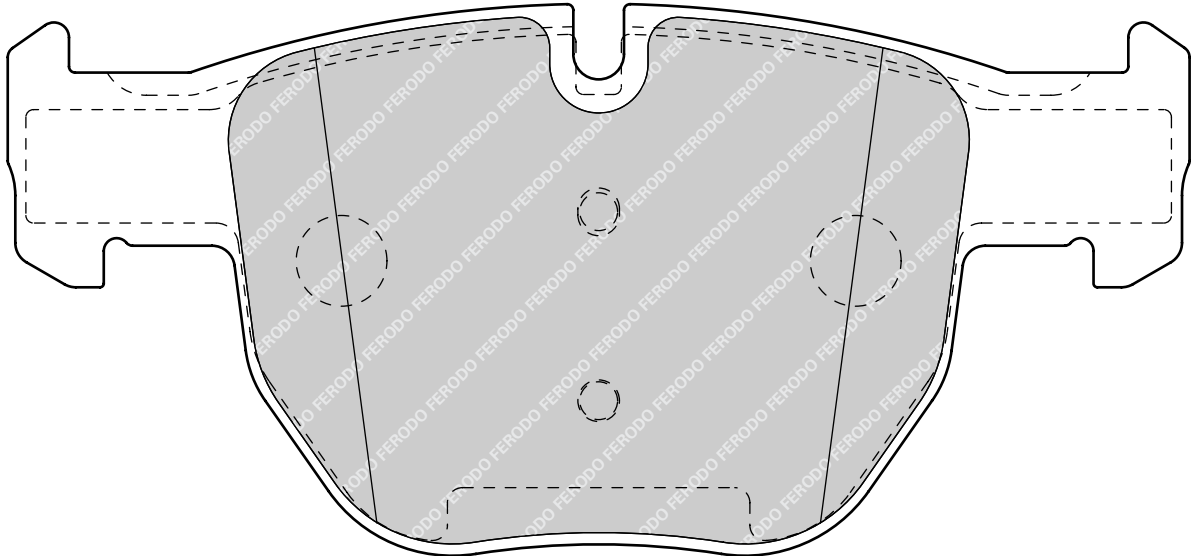
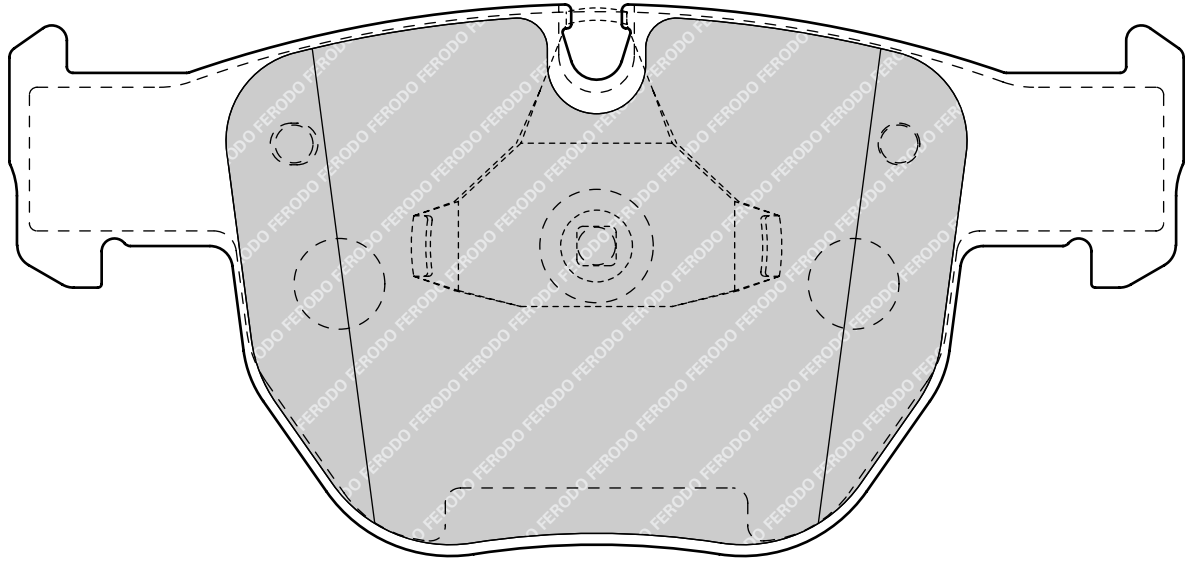
MITSUBISHI



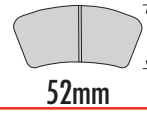
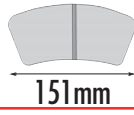
FDB1597



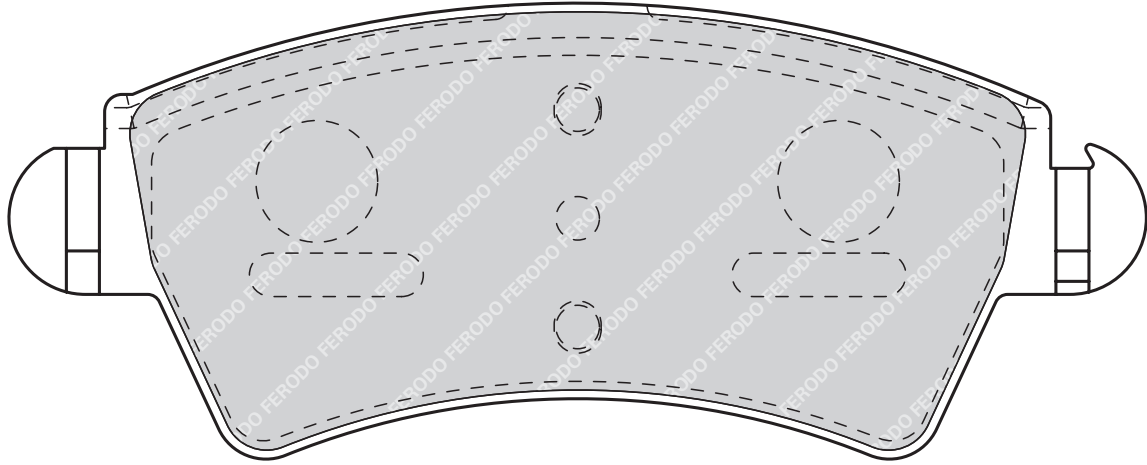
LANDROVER



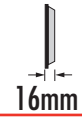
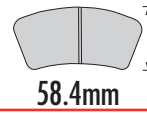
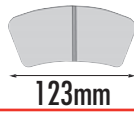
FDB1599



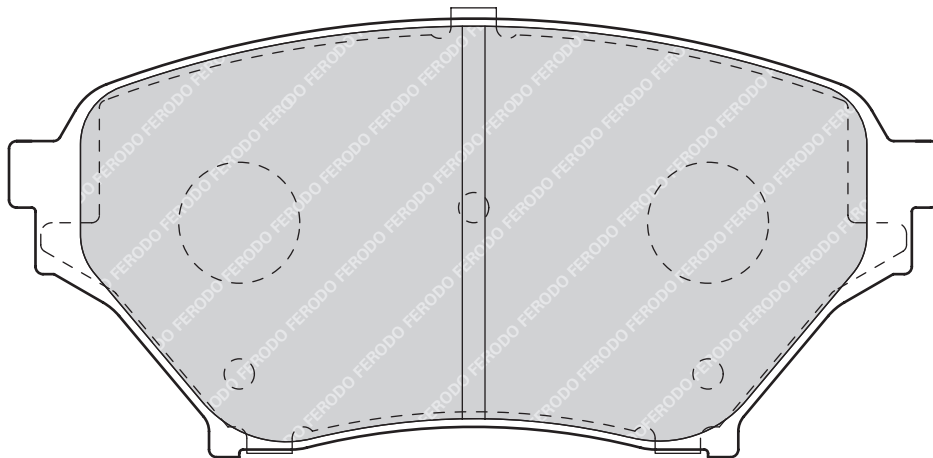
PEUGEOT



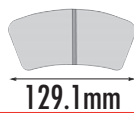
FDB1600



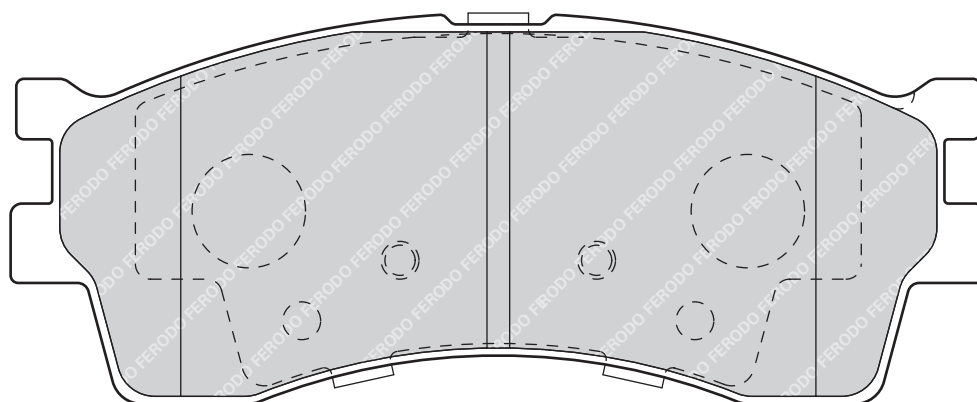
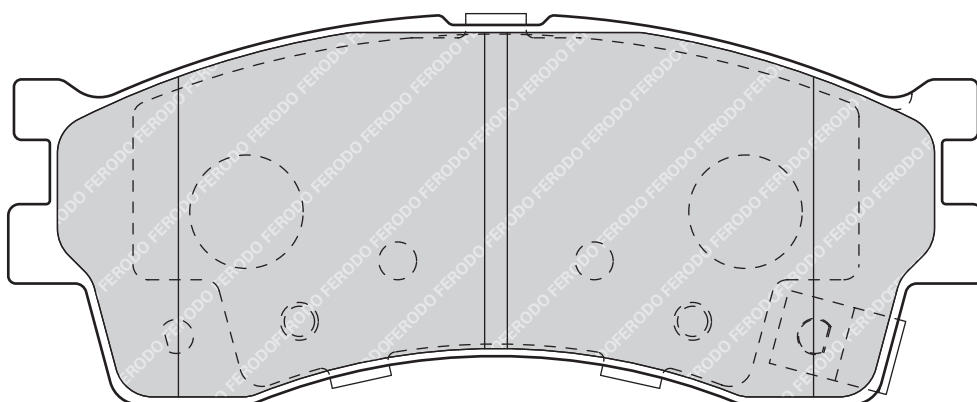
MAZDA



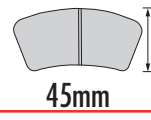
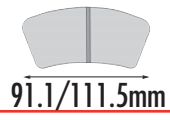
FDB1602



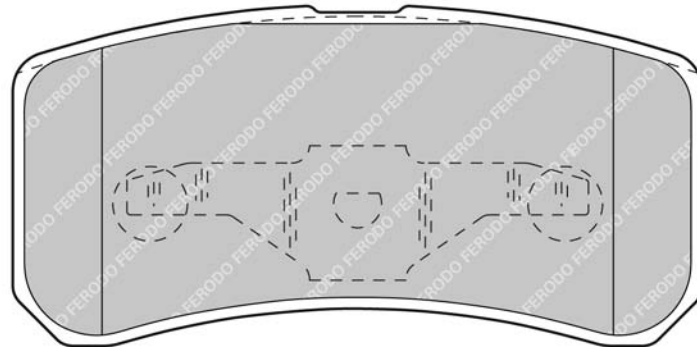
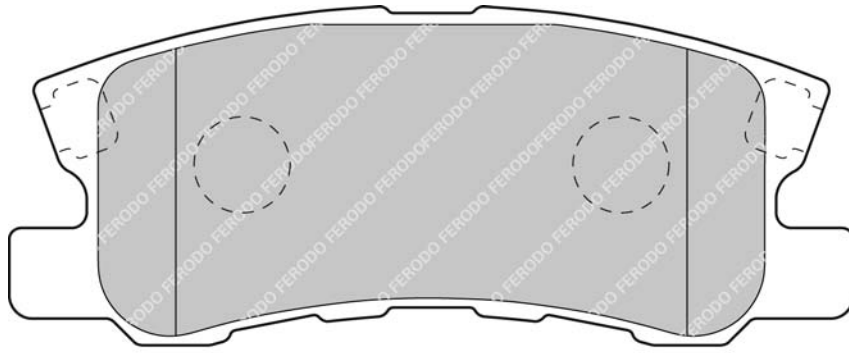
KIA



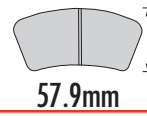
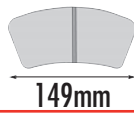
FDB1604



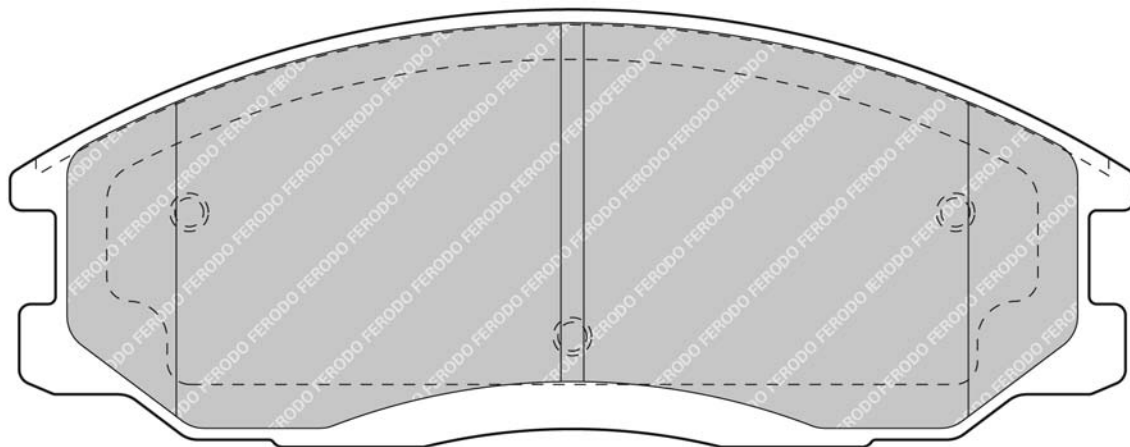
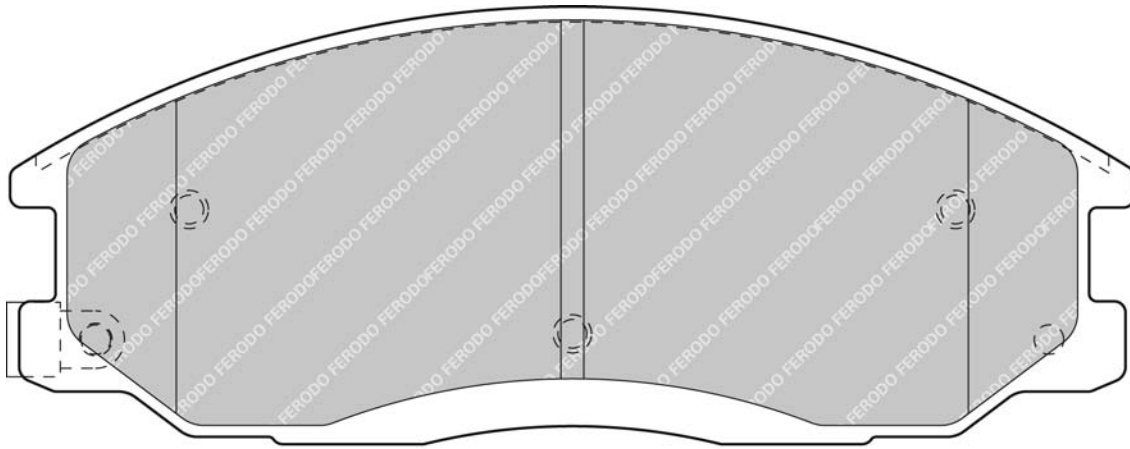
MITSUBISHI



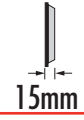
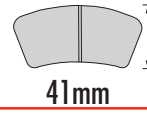
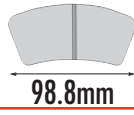
FDB1605



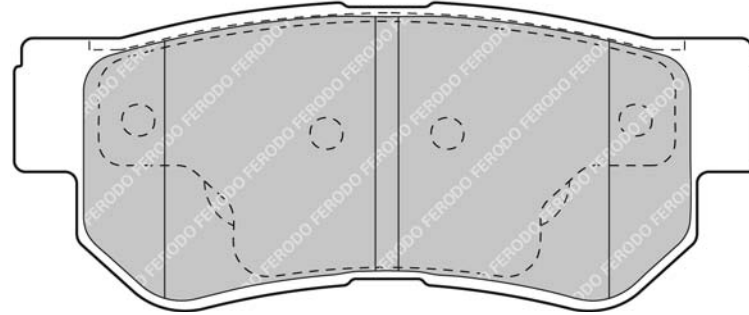
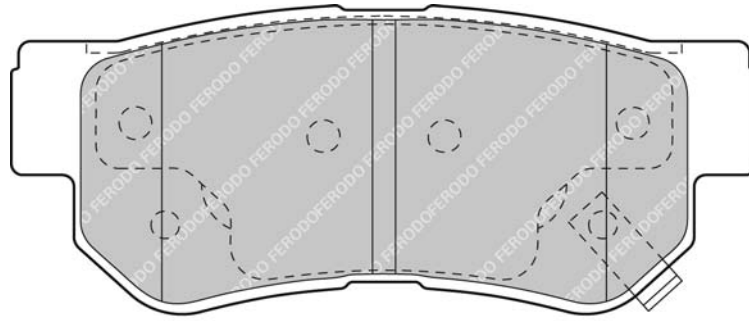
HYUNDAI



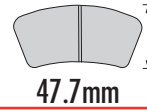
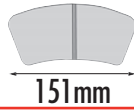
FDB1606



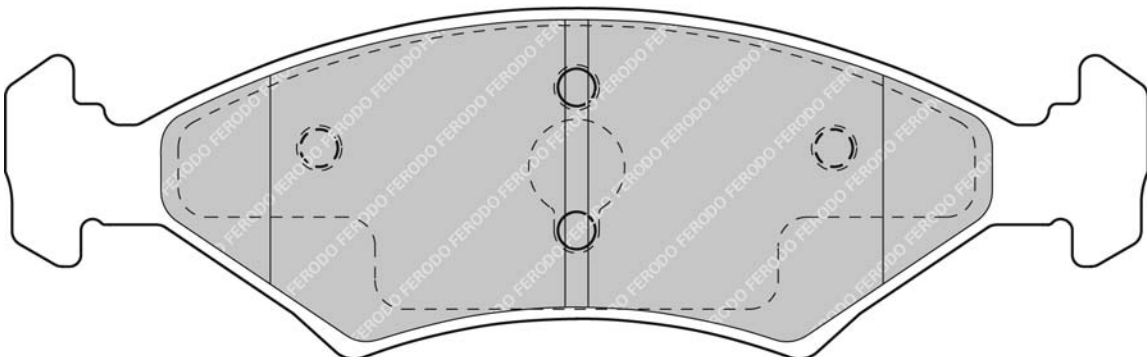
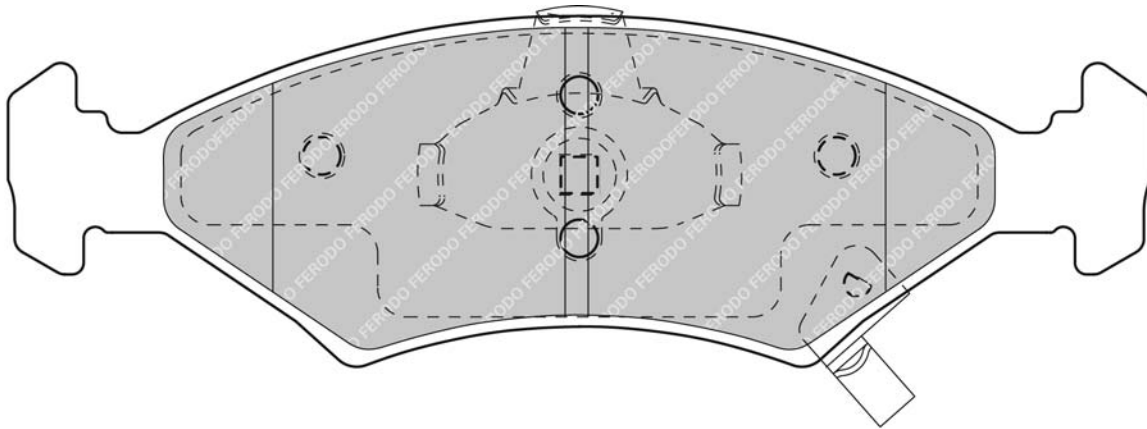
HYUNDAI



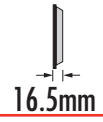
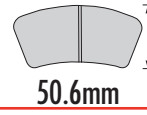
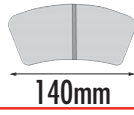
FDB1607



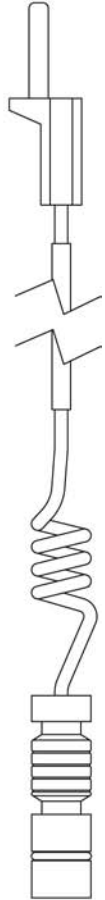
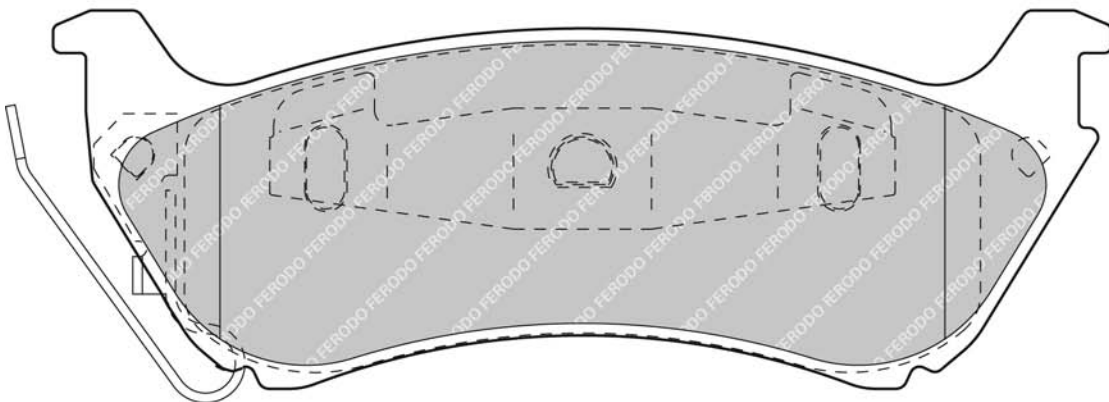
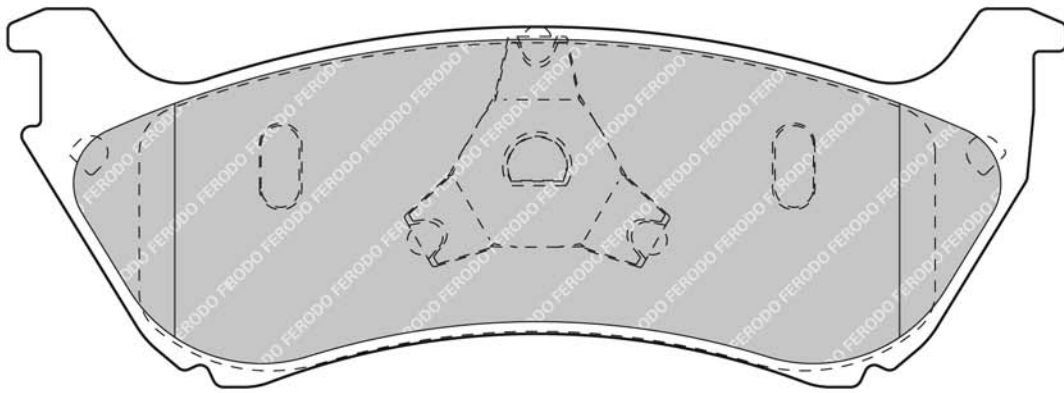
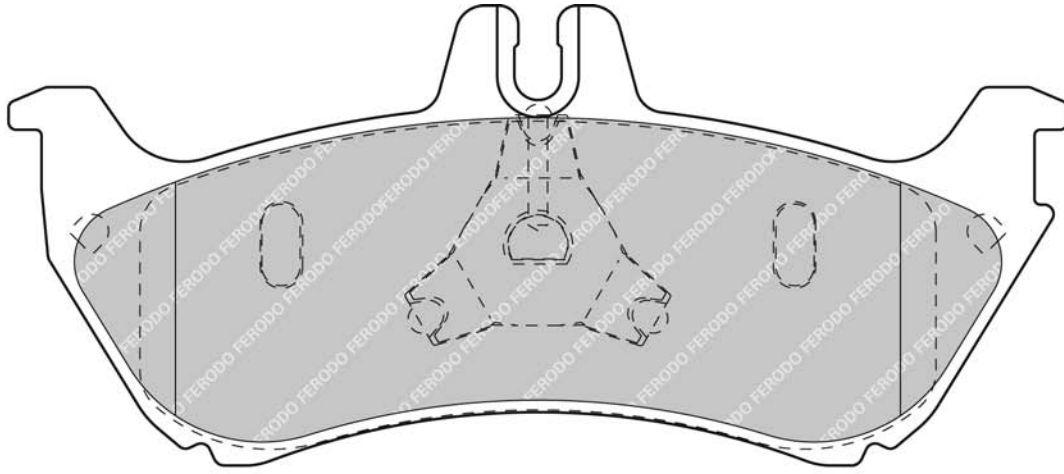
KIA



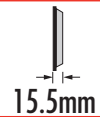
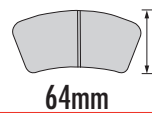
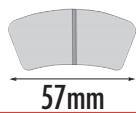
FDB1608



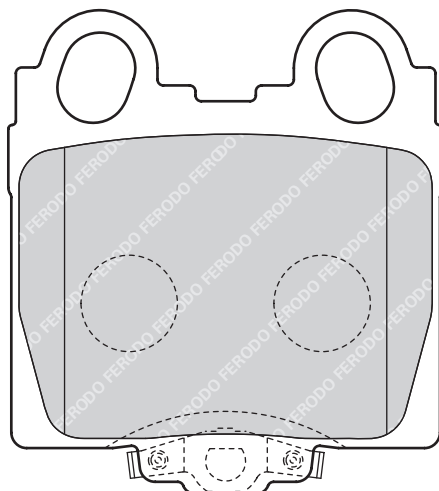
MERCEDES BENZ



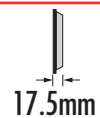
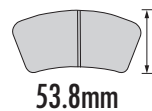
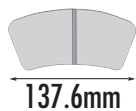
FDB1610



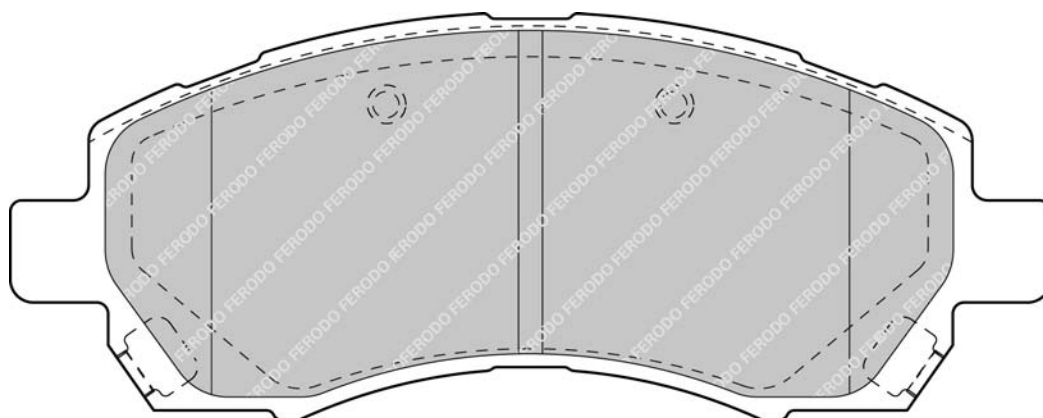
TOYOTA



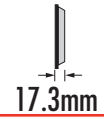
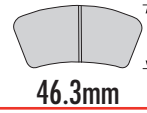
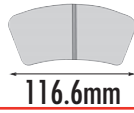
FDB1612



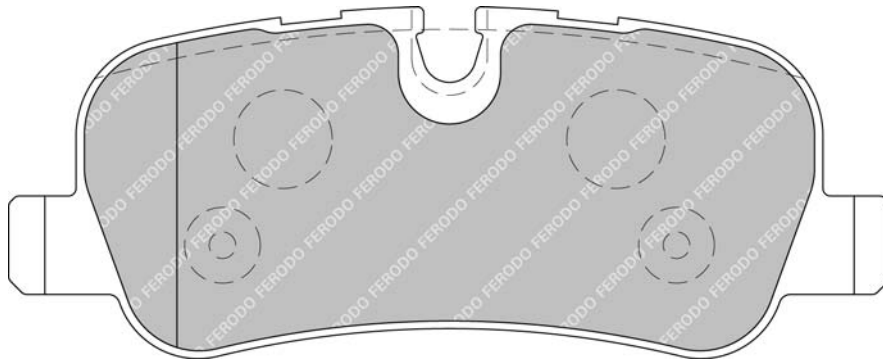
SUBARU



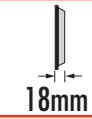
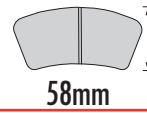
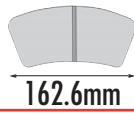
FDB1613



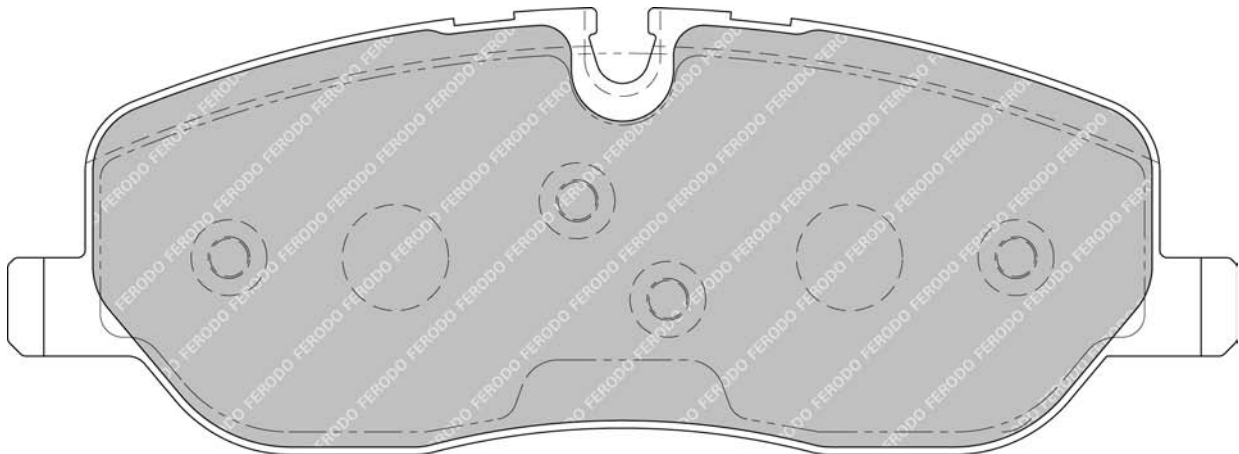
LANDROVER



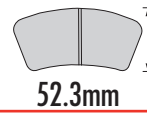
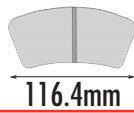
FDB1615



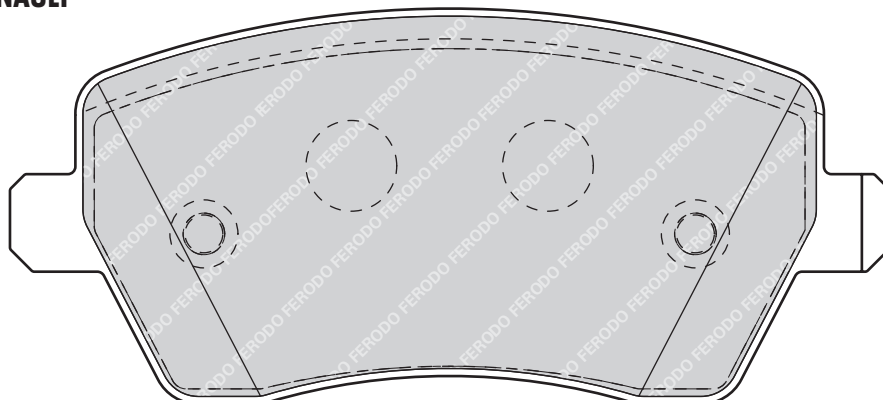
LANDROVER



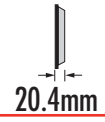
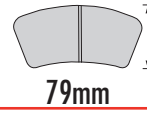
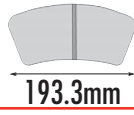
FDB1617



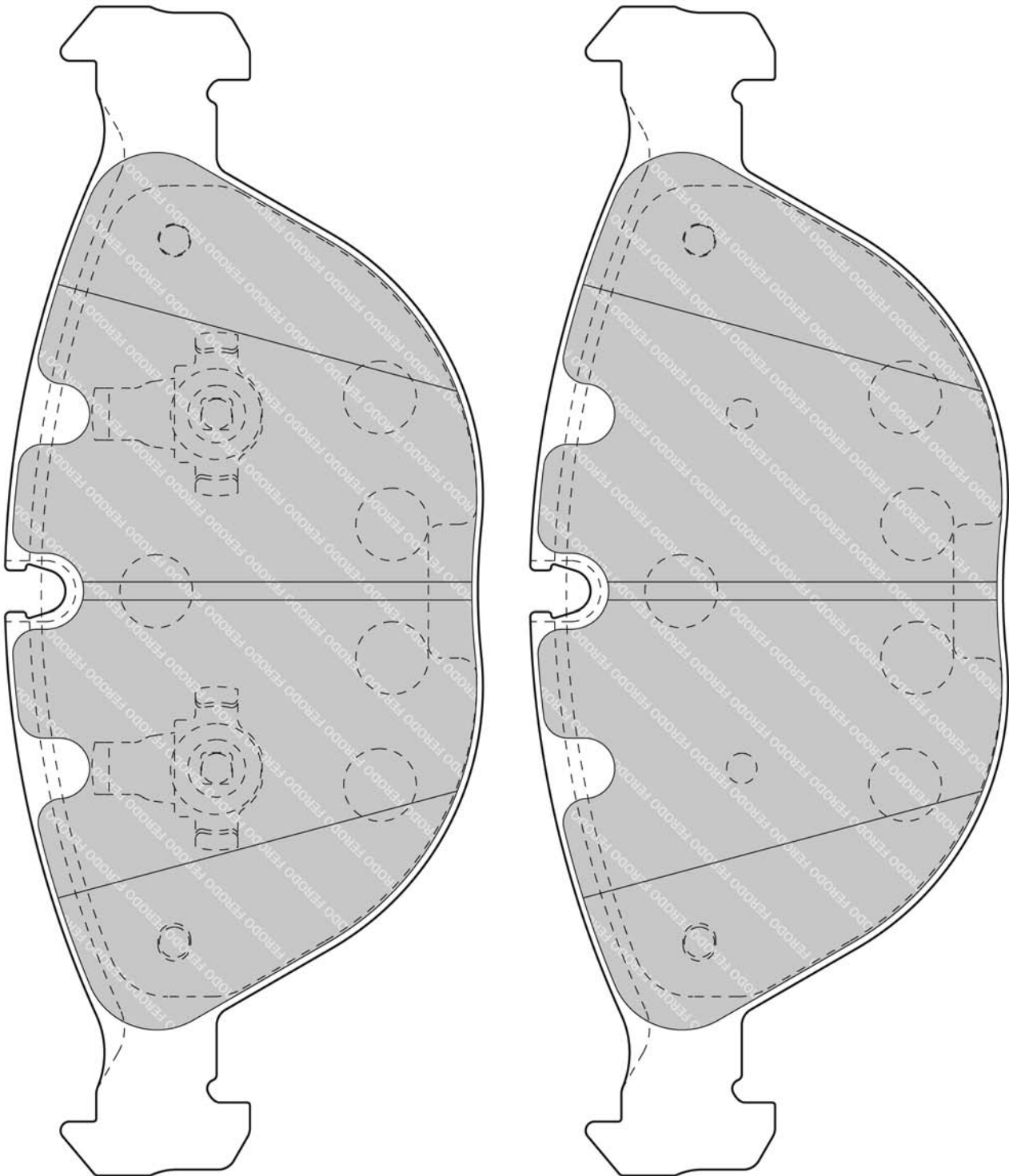
NISSAN, RENAULT



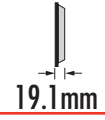
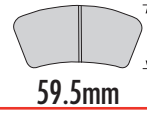
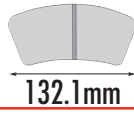
FDB1618



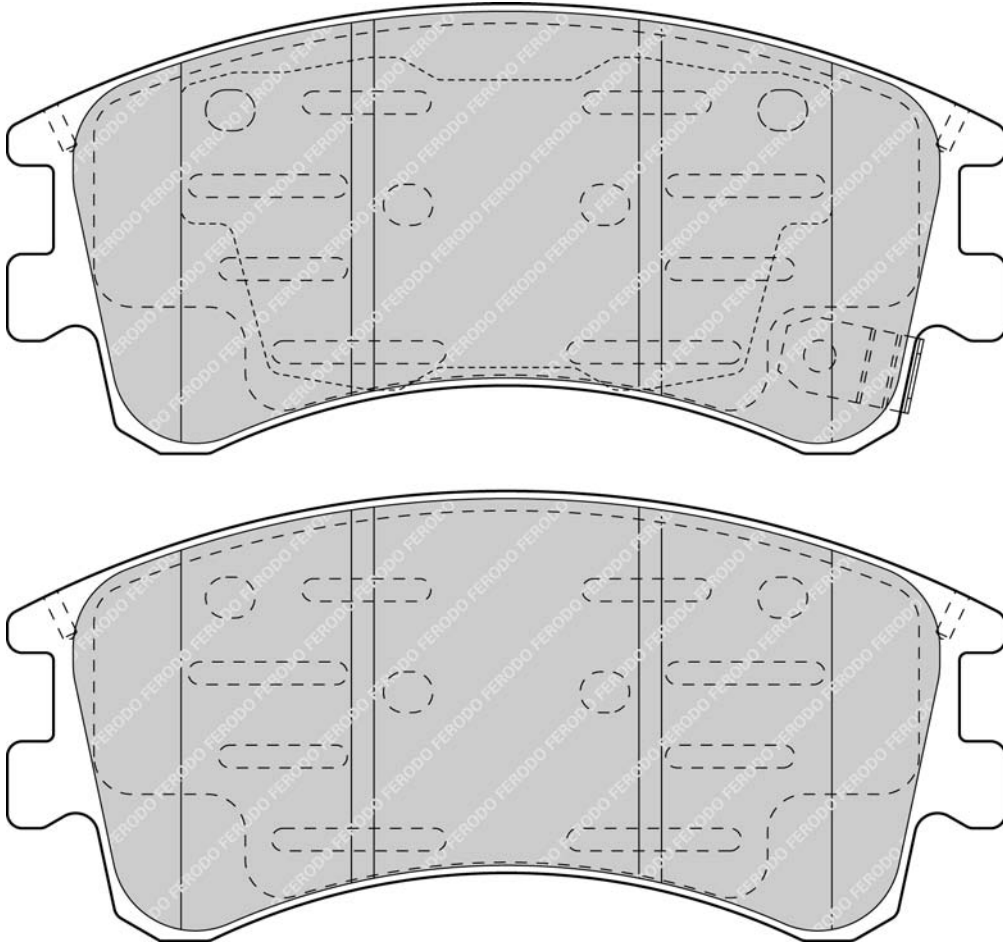
BMW



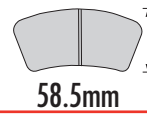
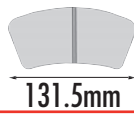
FDB1619



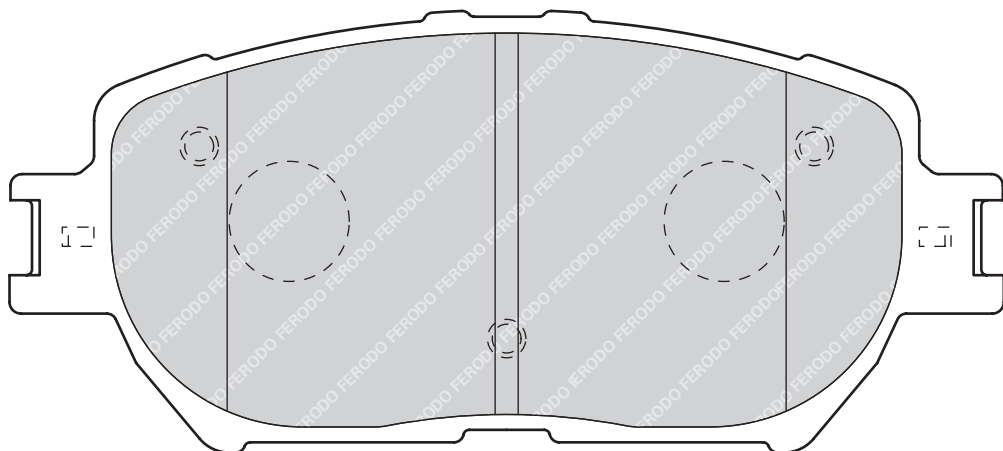
MAZDA



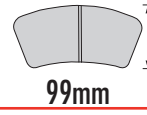
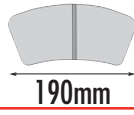
FDB1620



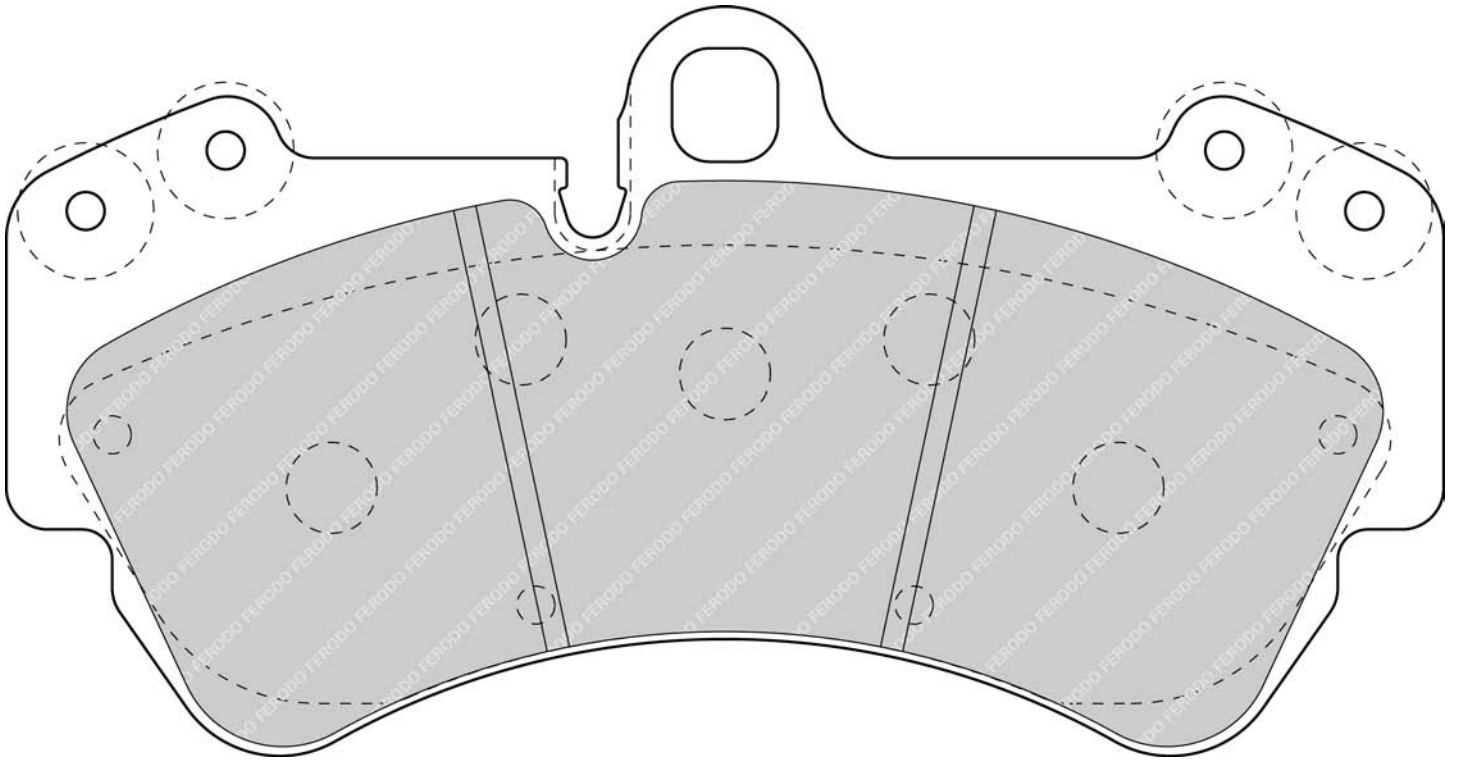
TOYOTA



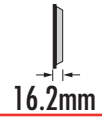
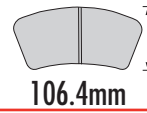
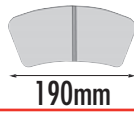
FDB1625



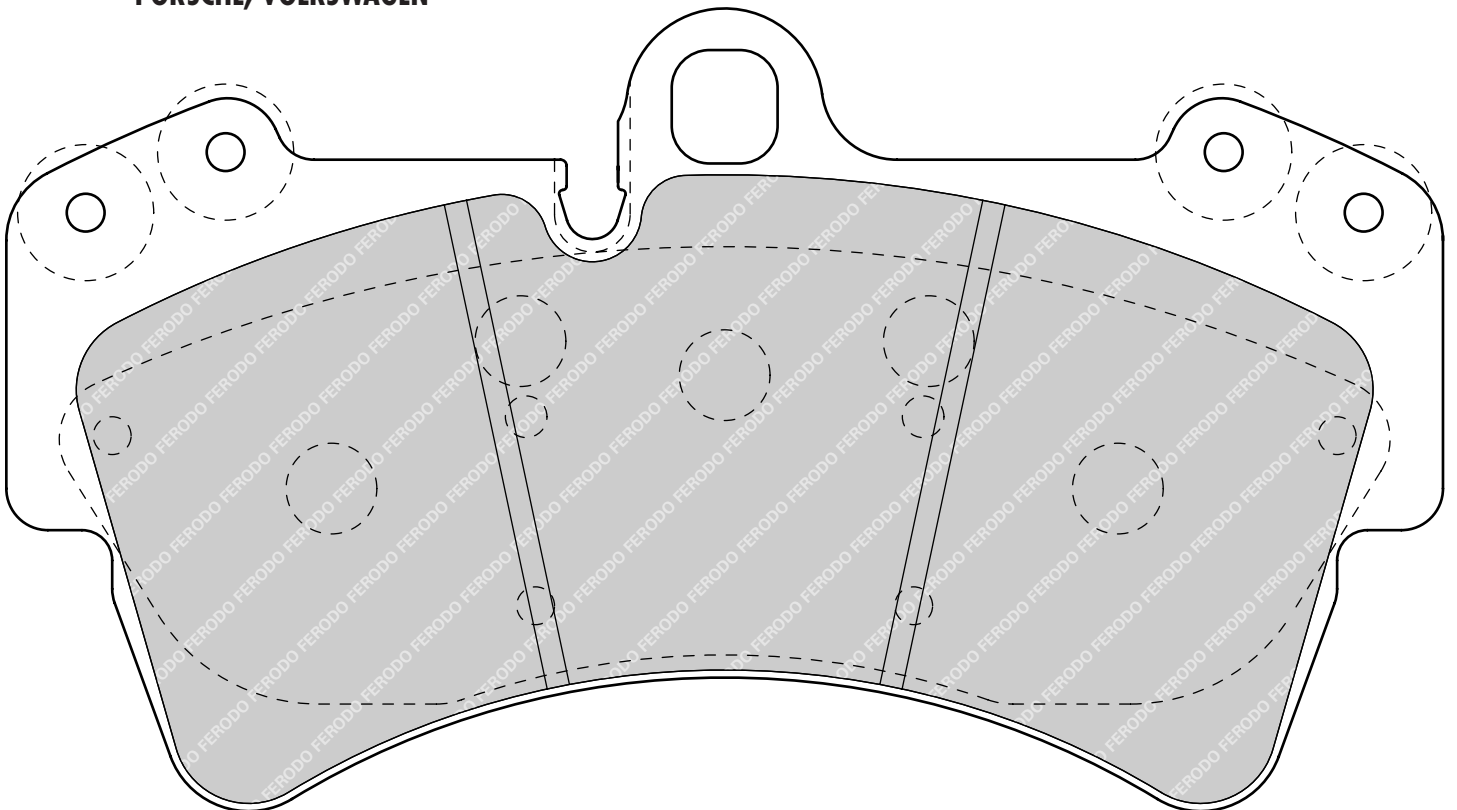
PORSCHE, VOLKSWAGEN



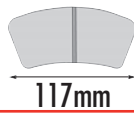
FDB1626



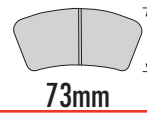
PORSCHE, VOLKSWAGEN



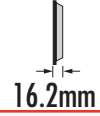
FDB1627



117mm

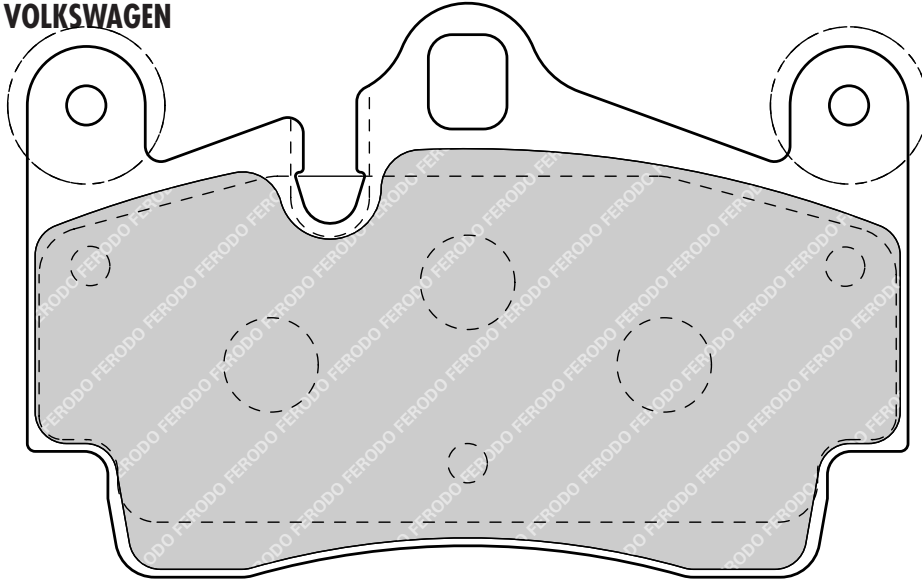


73mm

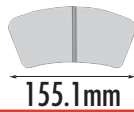


16.2mm

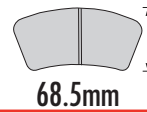
PORSCHE, VOLKSWAGEN



FDB1628



155.1mm

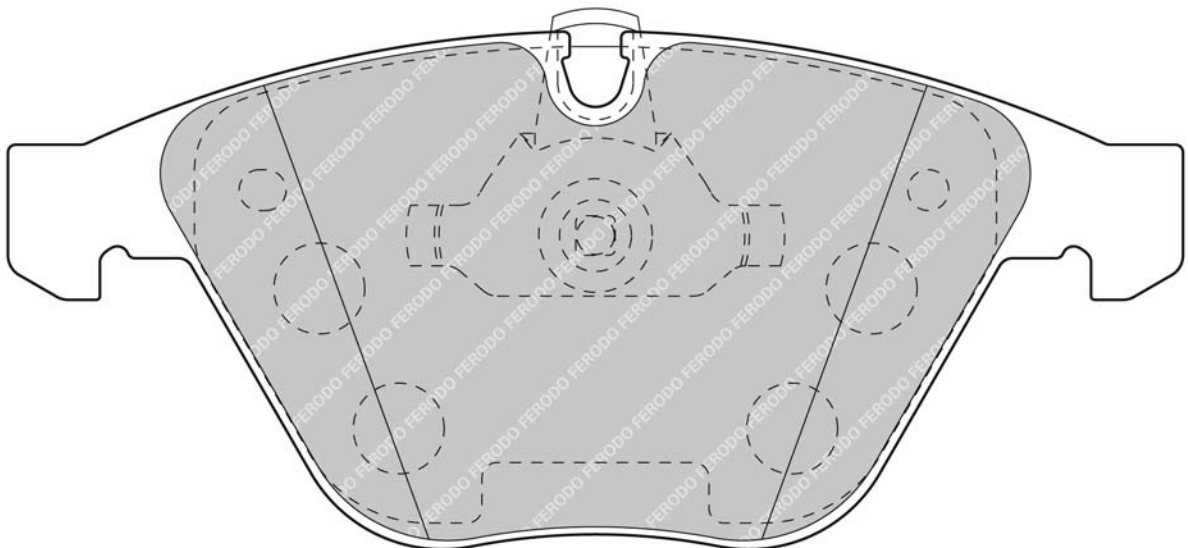
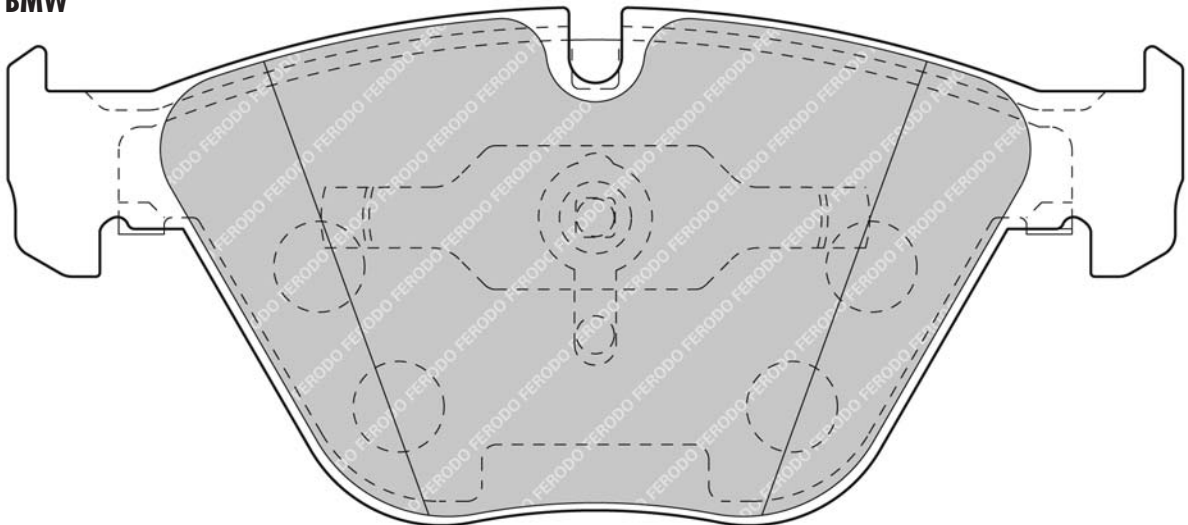


68.5mm



20.3mm

BMW



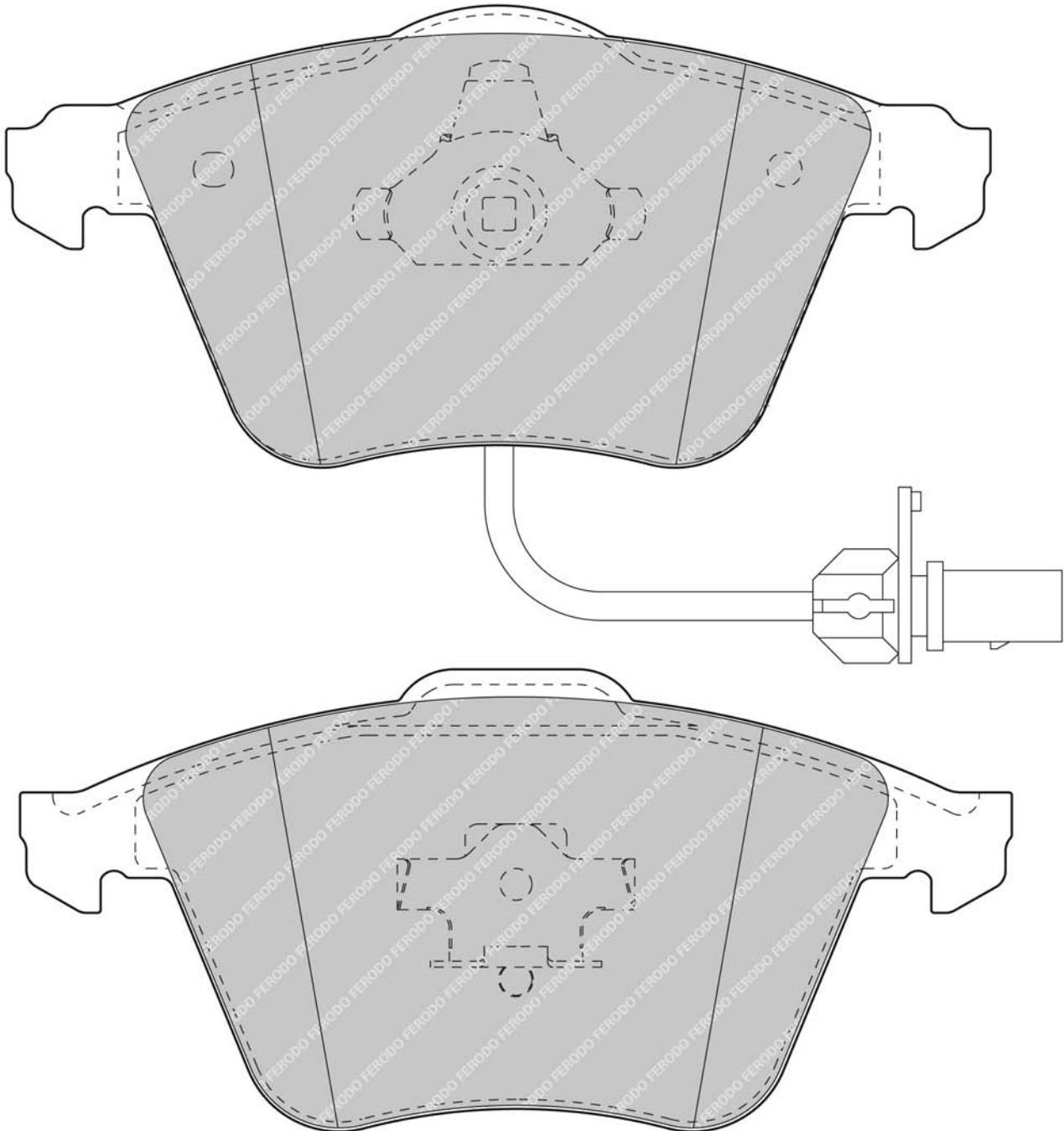
FDB1629

155.1/156.3mm

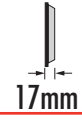
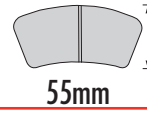
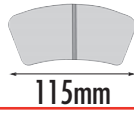
72.8mm

20.2mm

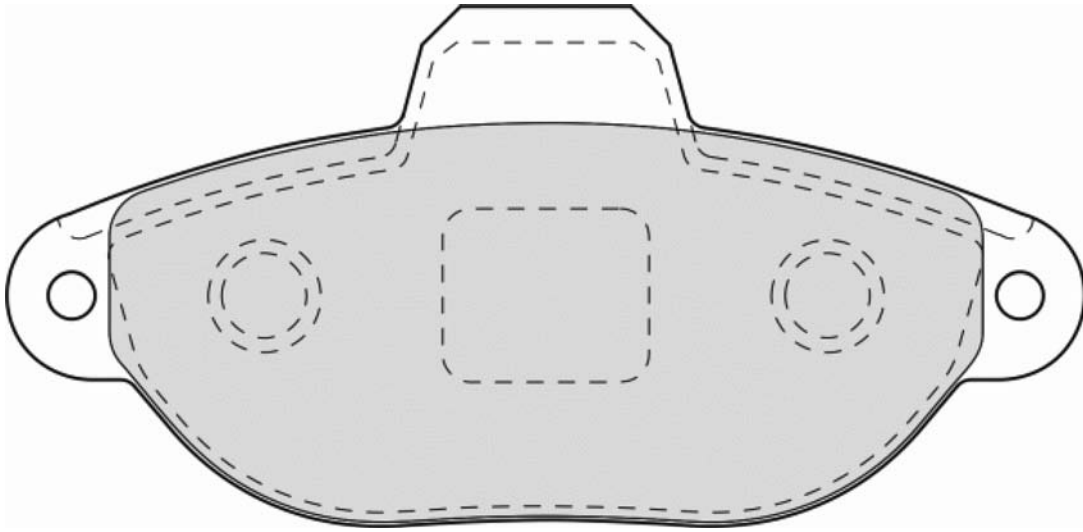
AUDI



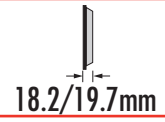
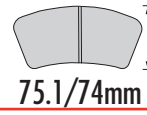
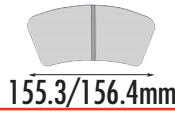
FDB1630



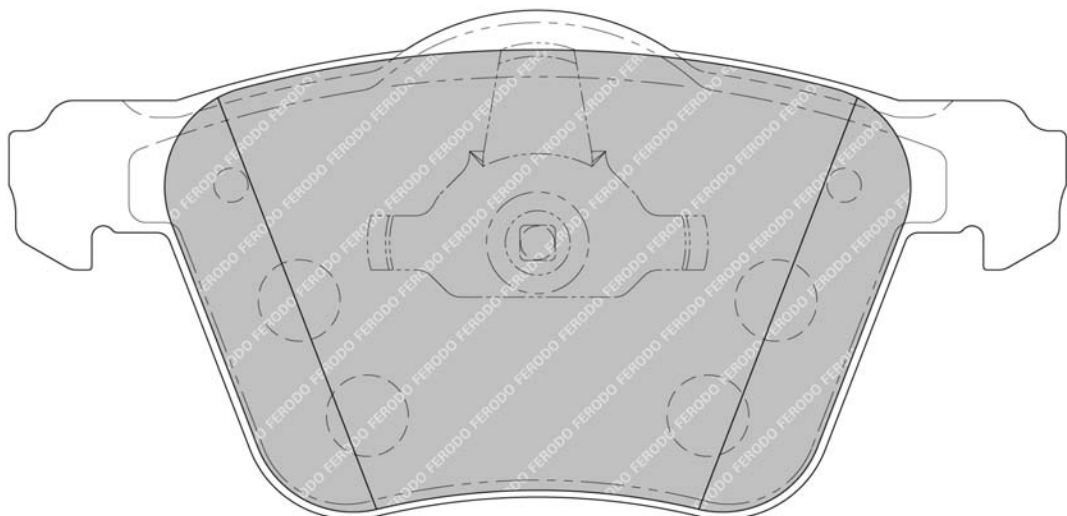
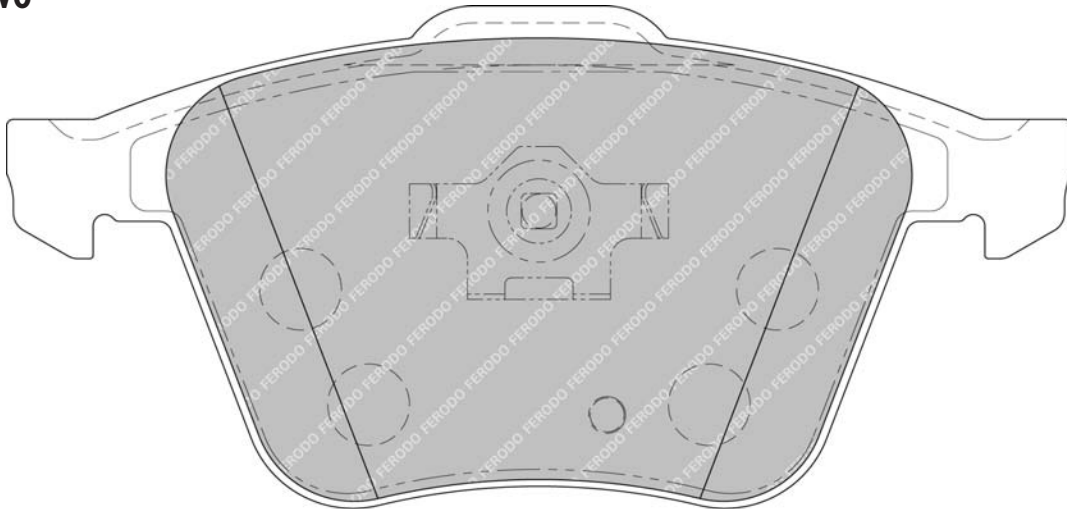
FIAT



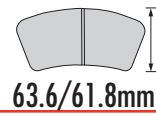
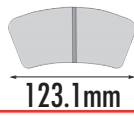
FDB1631



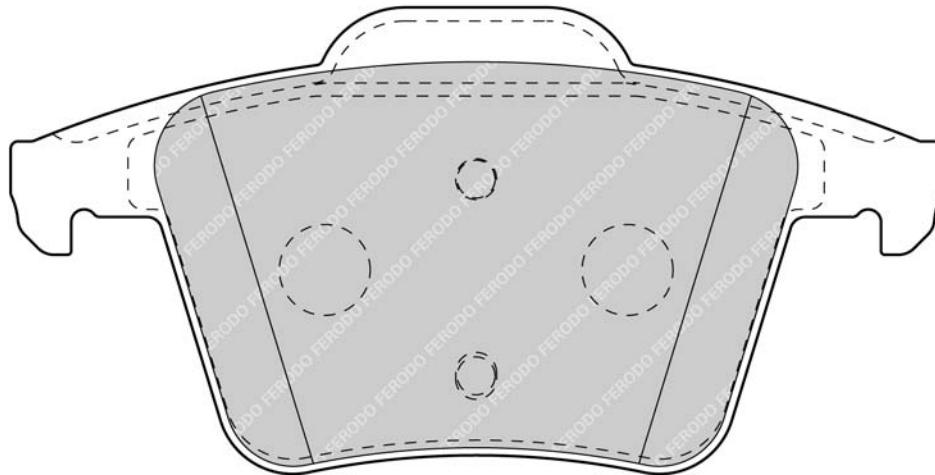
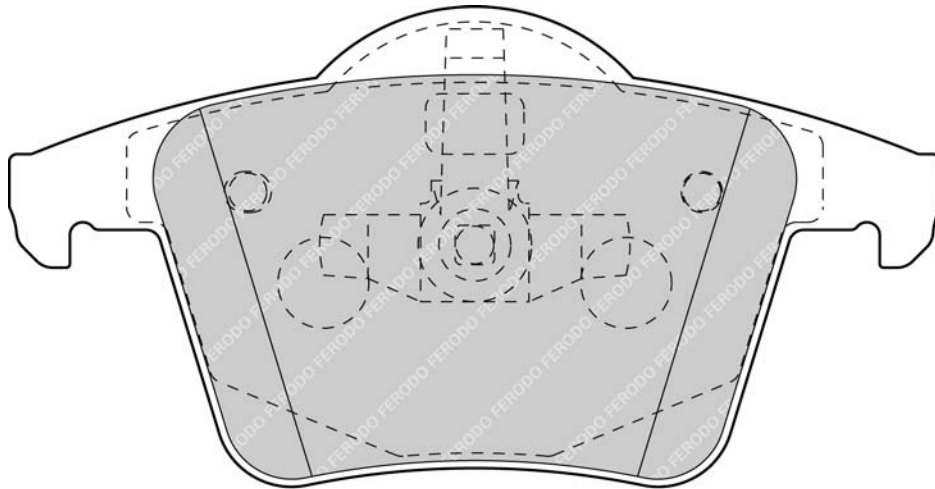
VOLVO



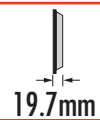
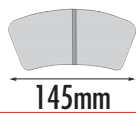
FDB1632



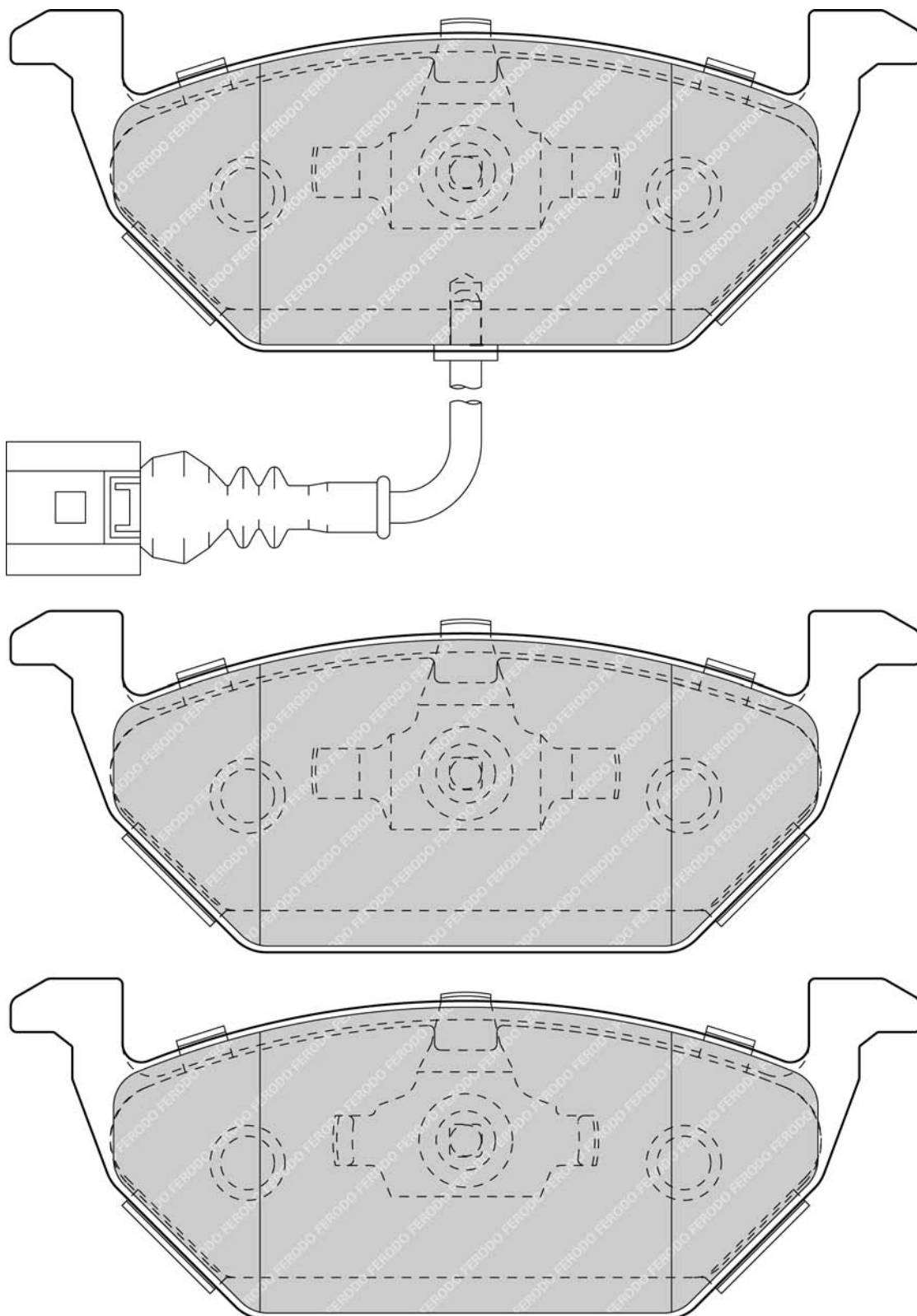
VOLVO



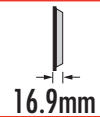
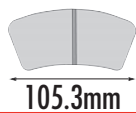
FDB1635



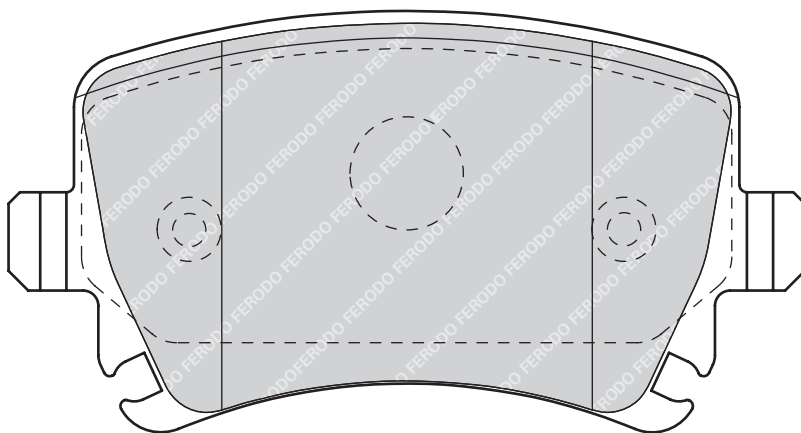
AUDI, VOLKSWAGEN



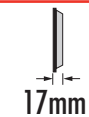
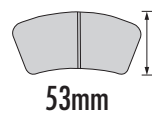
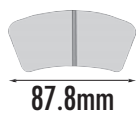
FDB1636



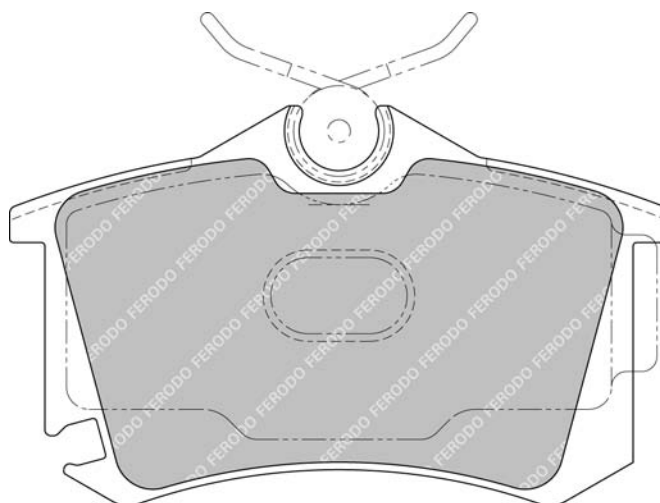
AUDI, VOLKSWAGEN



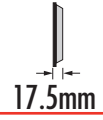
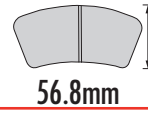
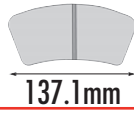
FDB1637



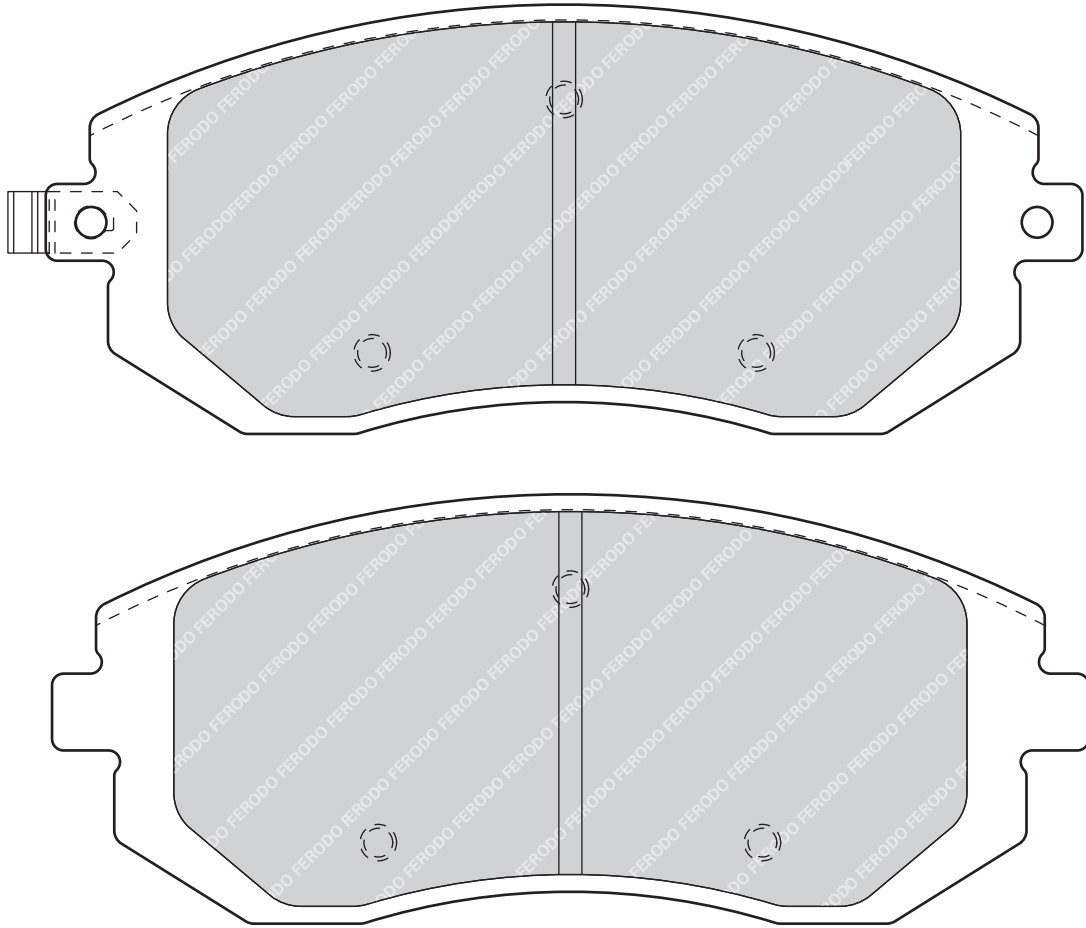
AUDI, VOLKSWAGEN



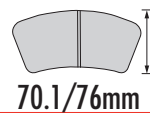
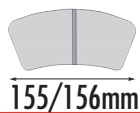
FDB1639



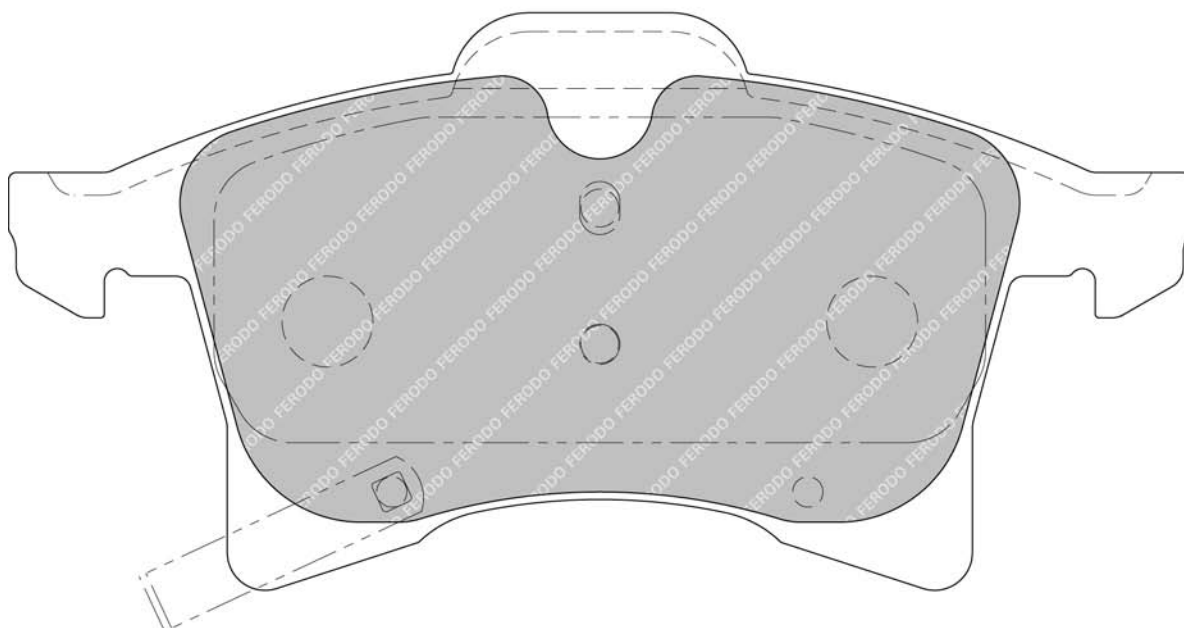
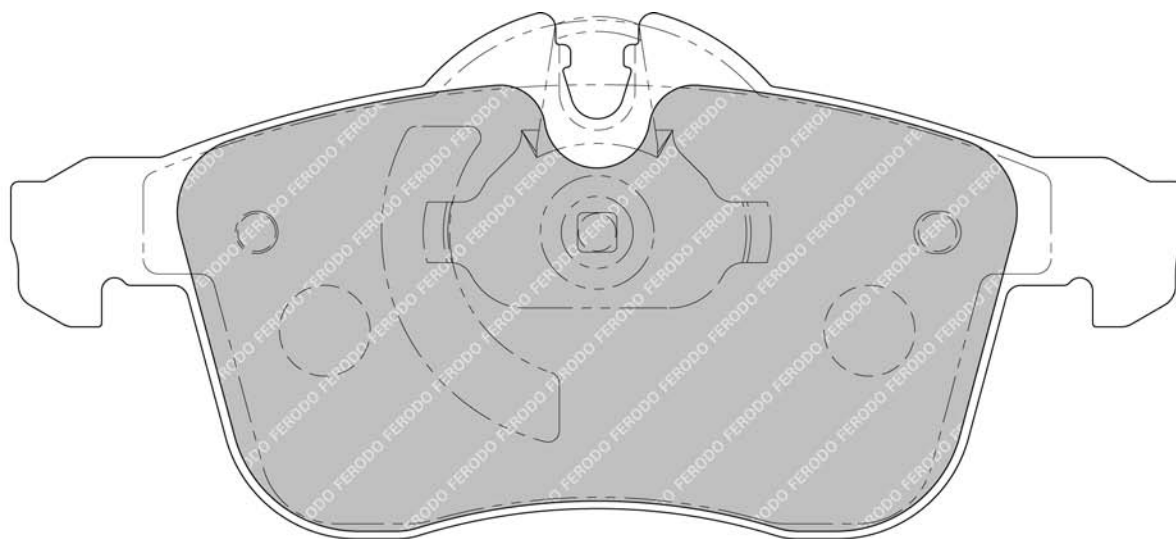
SUBARU



FDB1640



OPEL



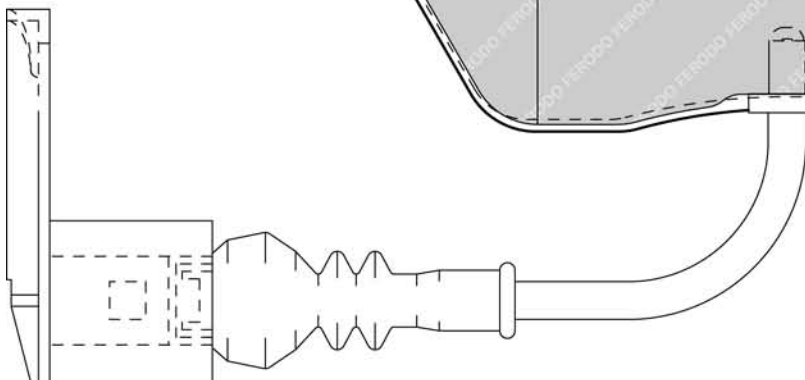
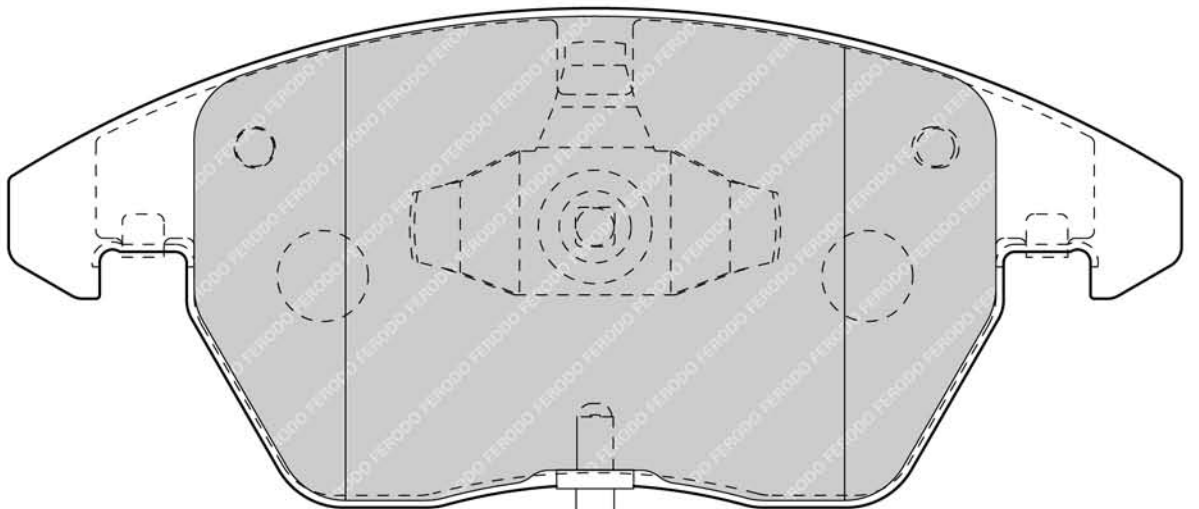
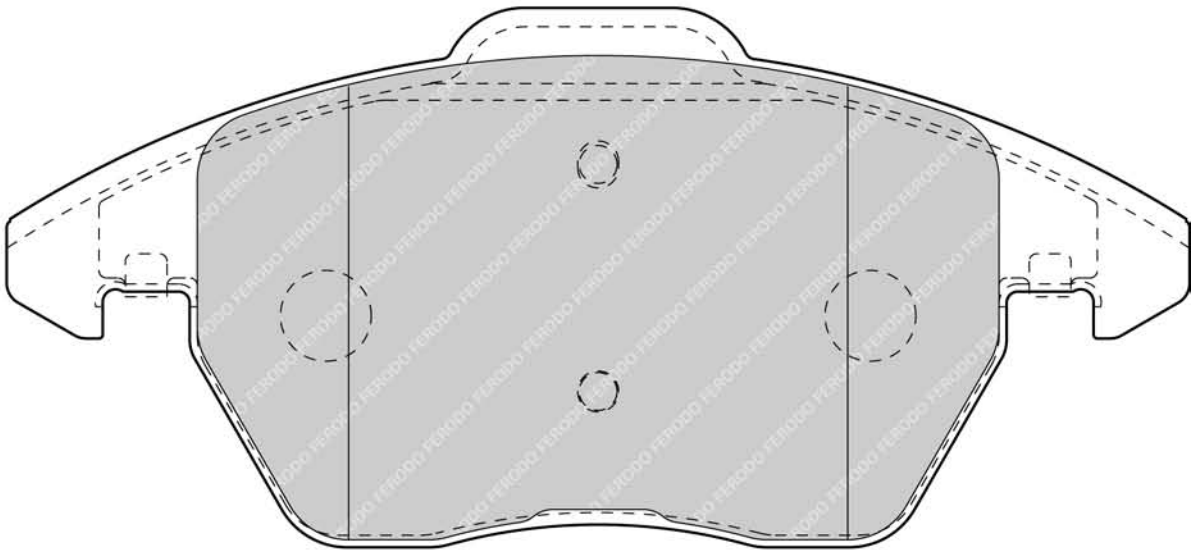
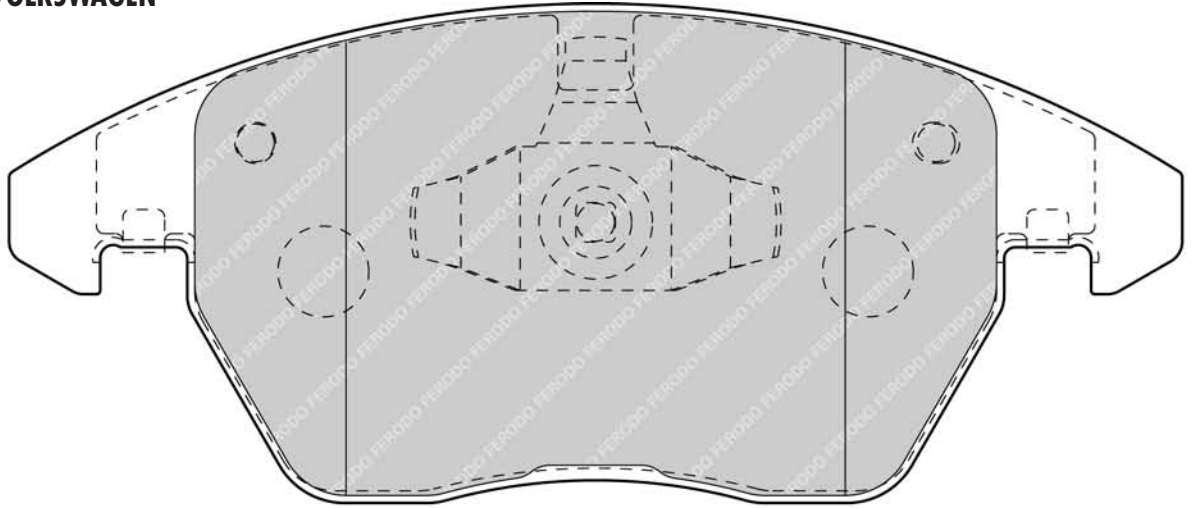
FDB1641

155.1/156.4mm

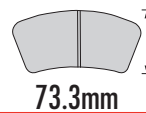
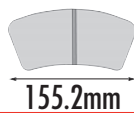
71.4/66mm

20.3mm

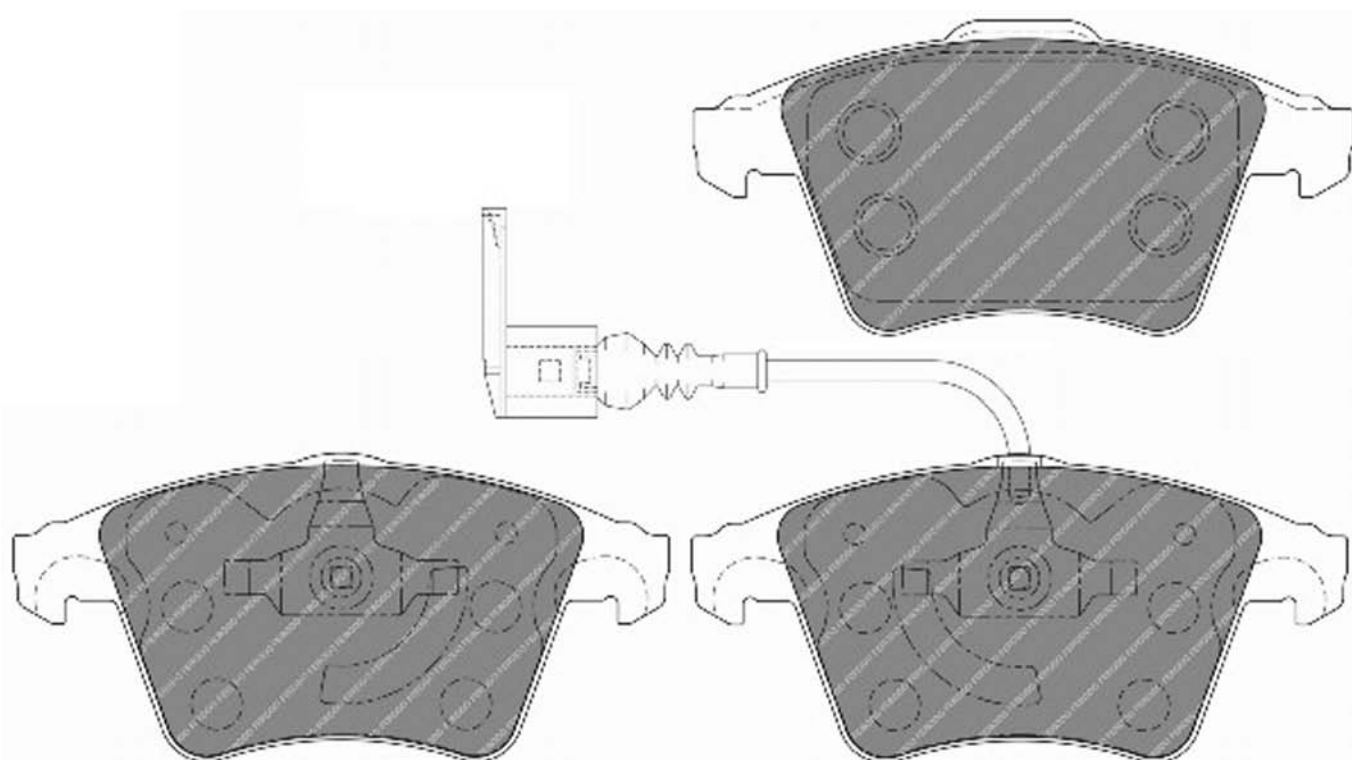
AUDI, VOLKSWAGEN



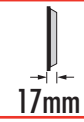
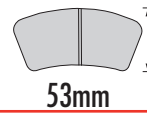
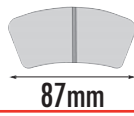
FDB1642



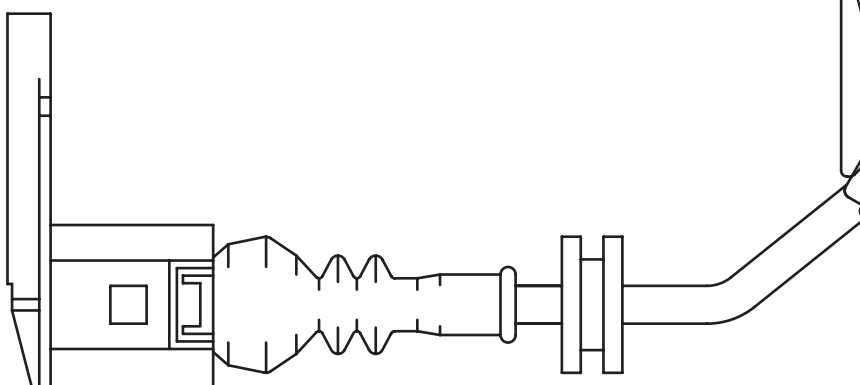
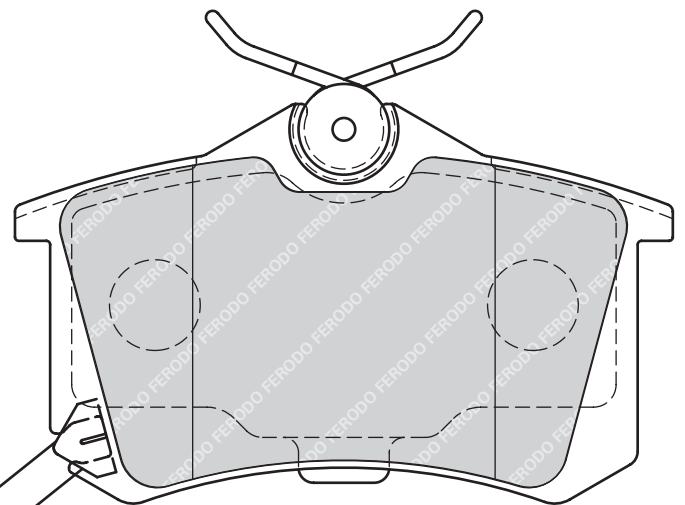
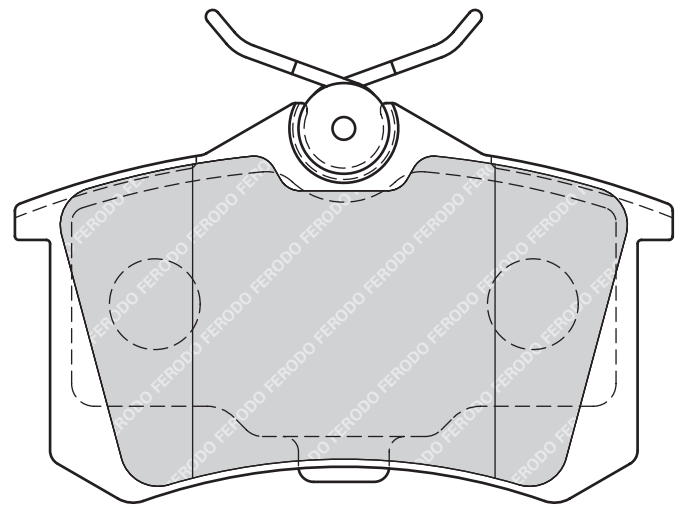
VOLKSWAGEN



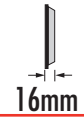
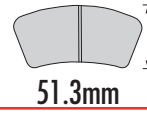
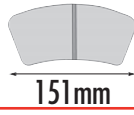
FDB1645



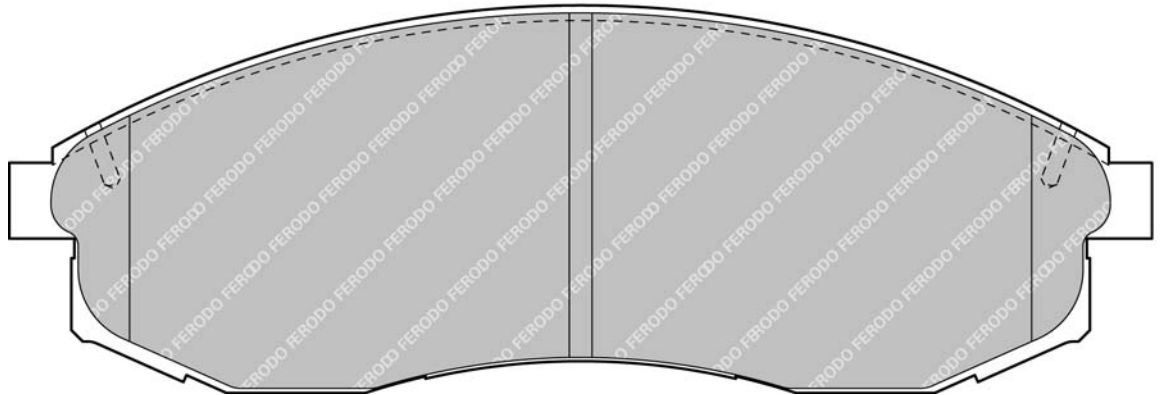
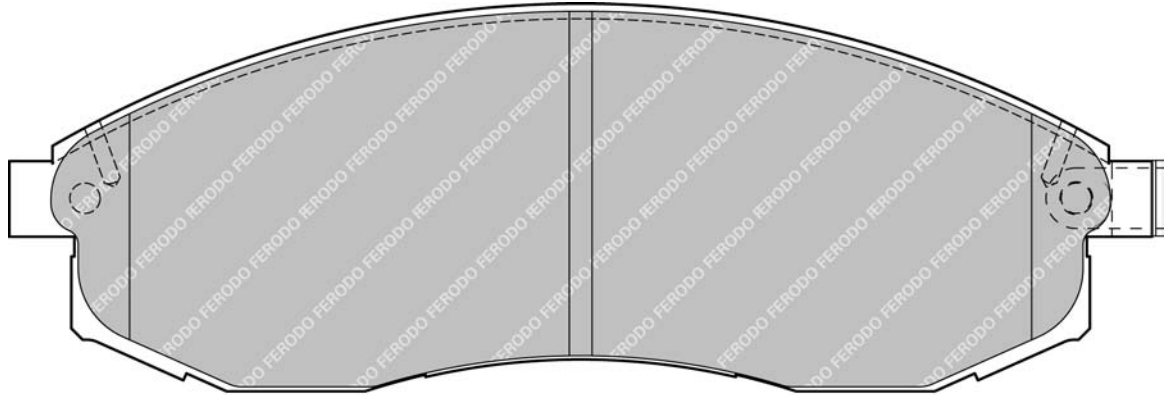
VOLKSWAGEN



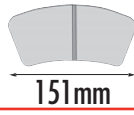
FDB1646



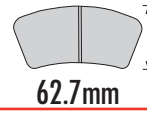
NISSAN



FDB1648



151mm

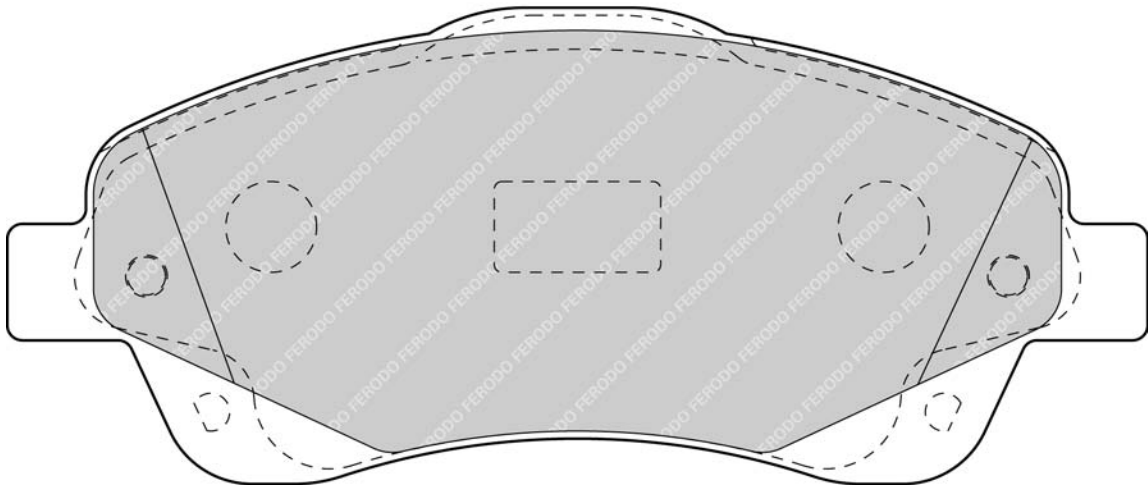
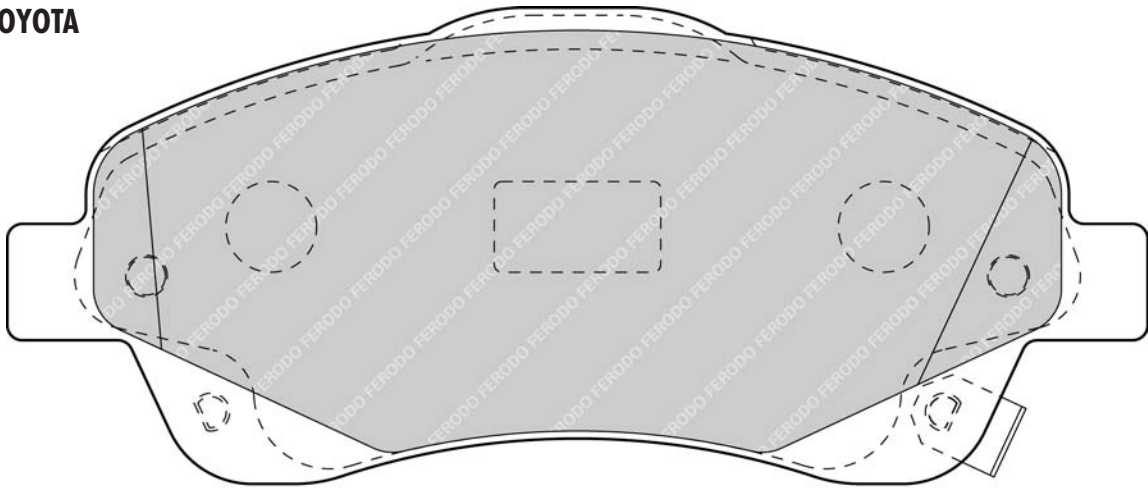


62.7mm

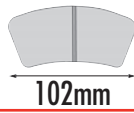


18.6mm

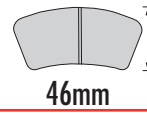
TOYOTA



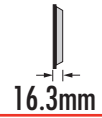
FDB1649



102mm

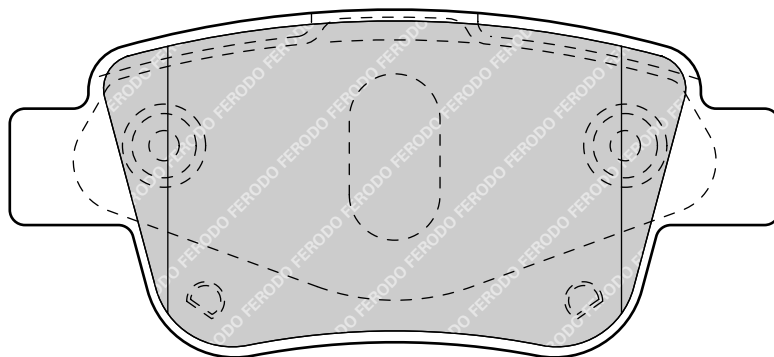
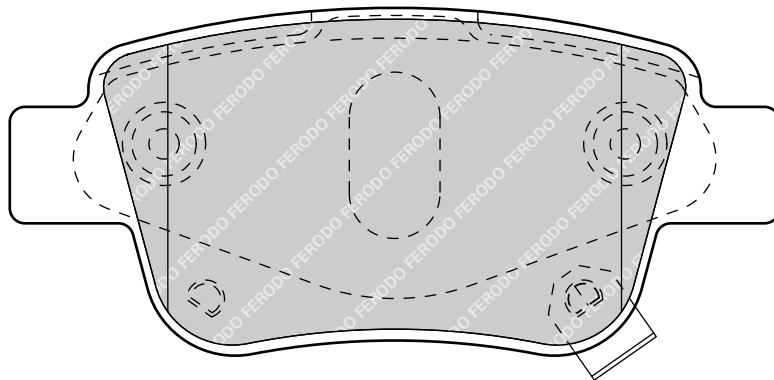


46mm

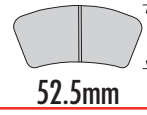
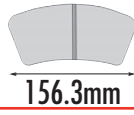


16.3mm

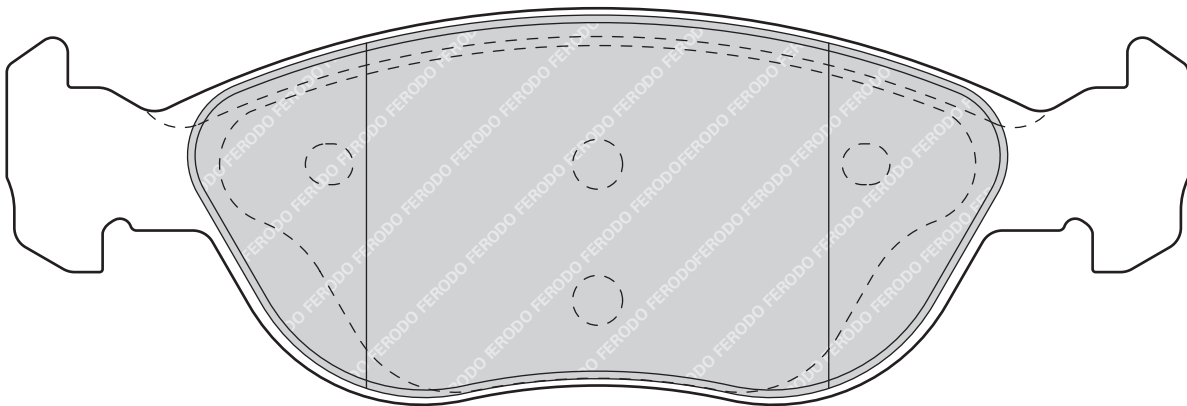
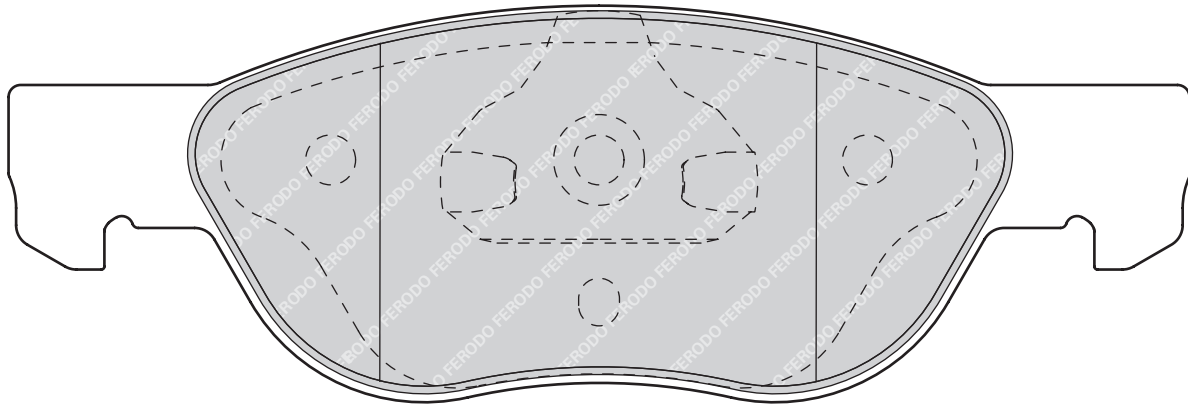
TOYOTA



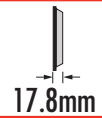
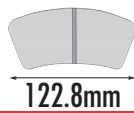
FDB1651



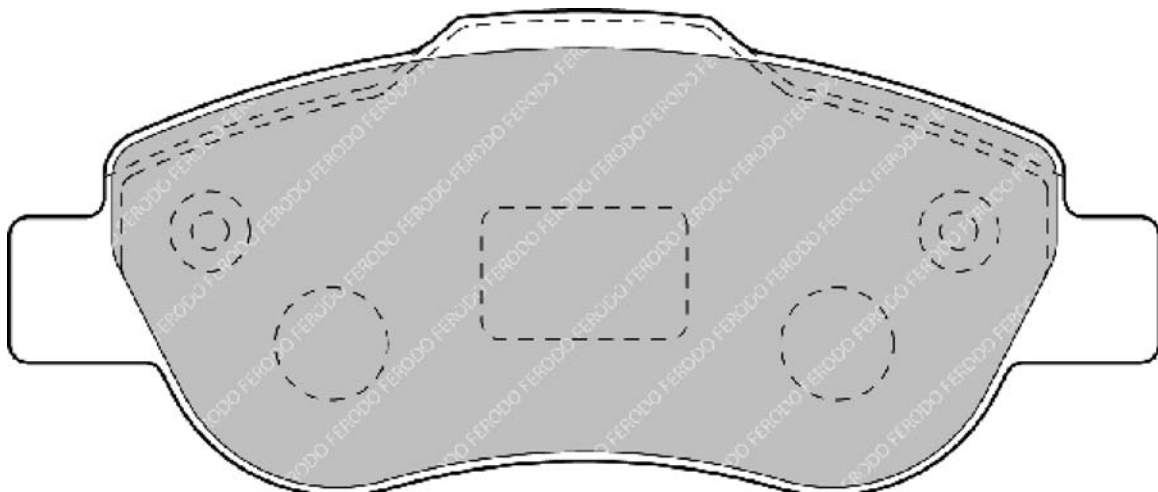
FIAT



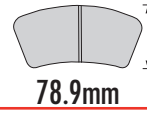
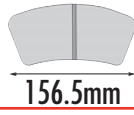
FDB1652



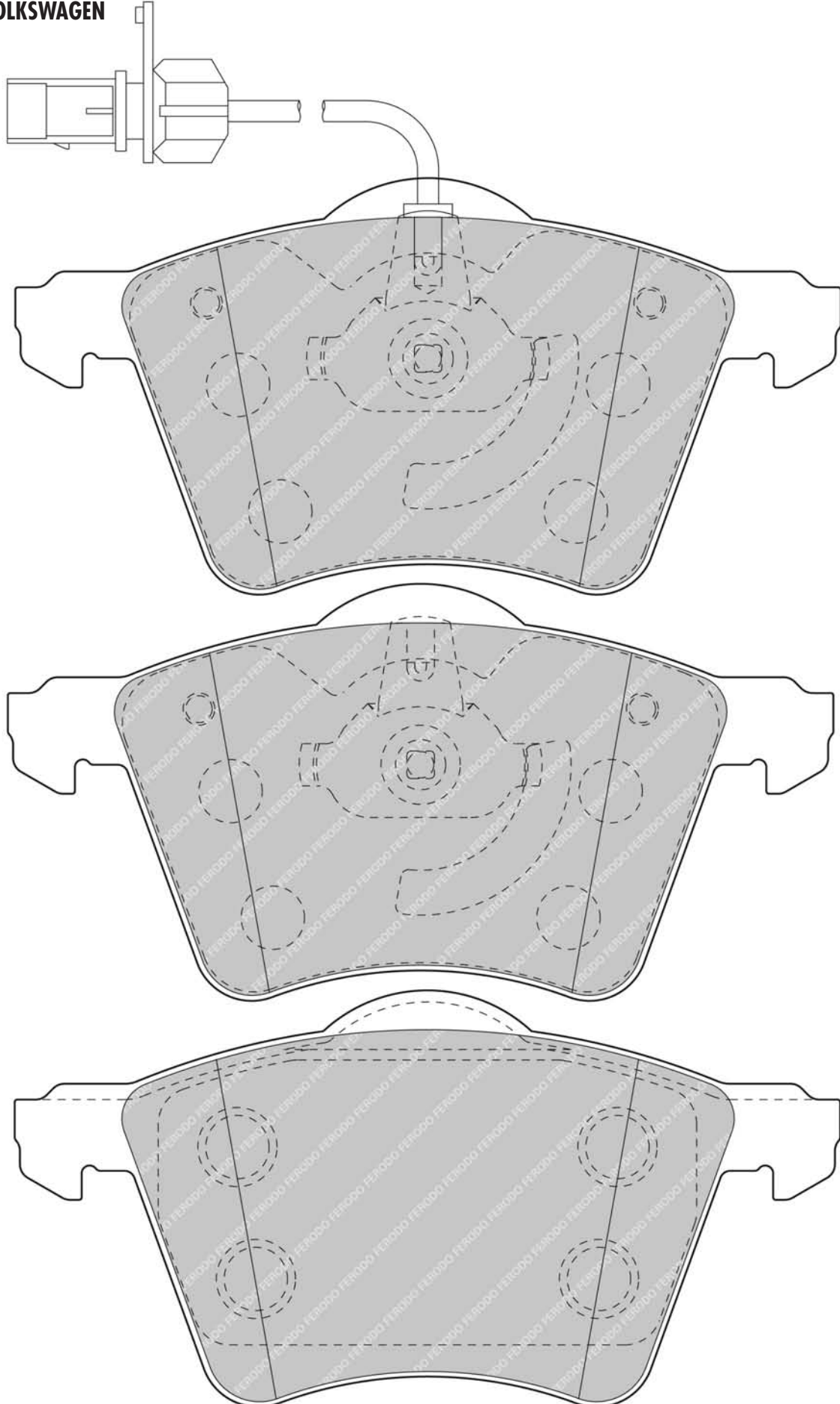
FIAT



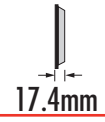
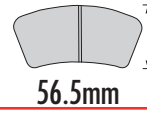
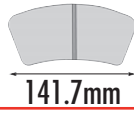
FDB1654



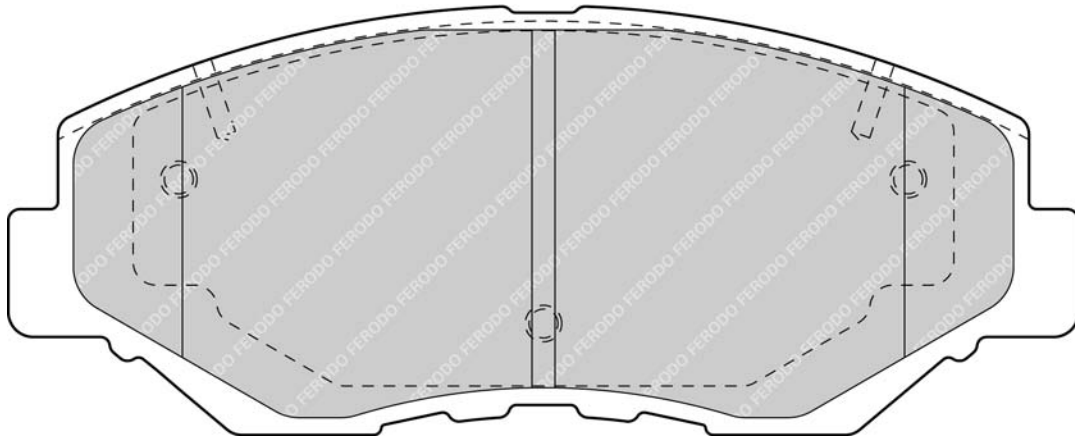
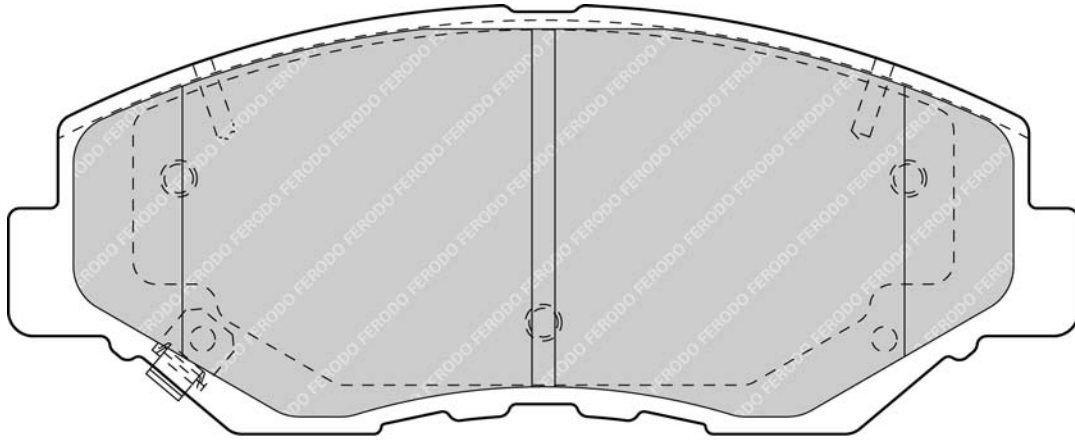
VOLKSWAGEN



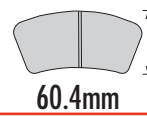
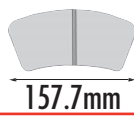
FDB1658



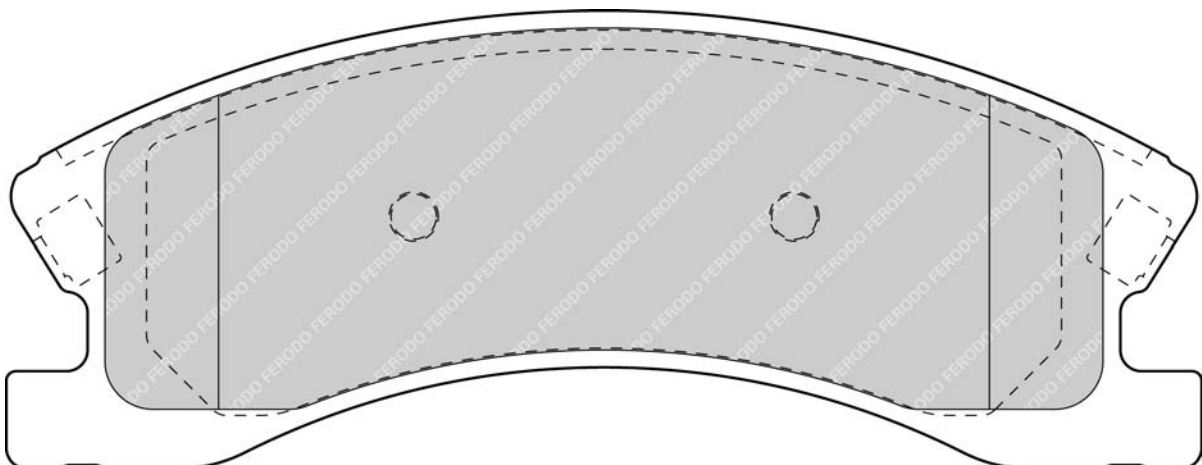
HONDA



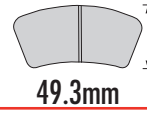
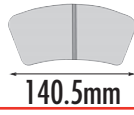
FDB1659



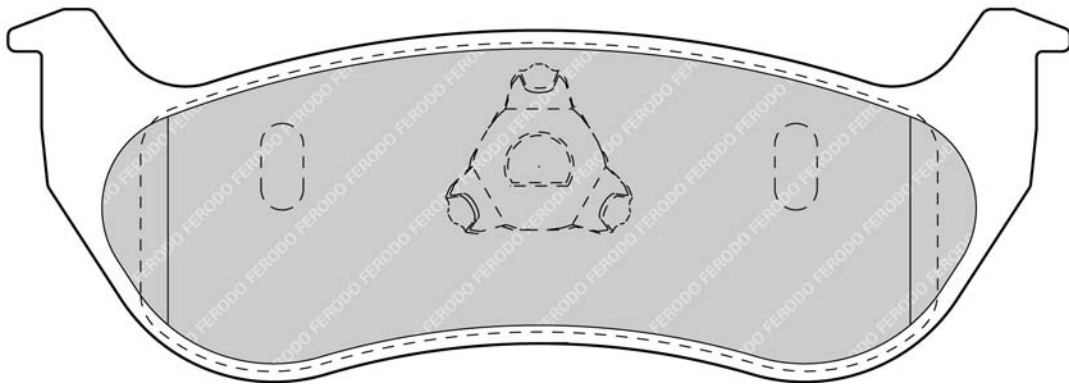
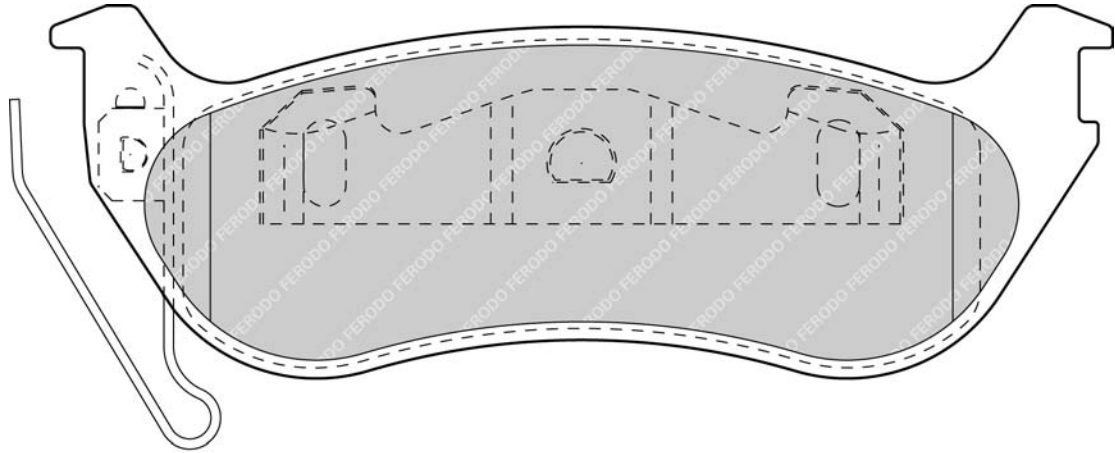
CHRYSLER



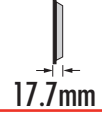
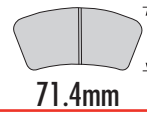
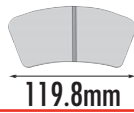
FDB1660



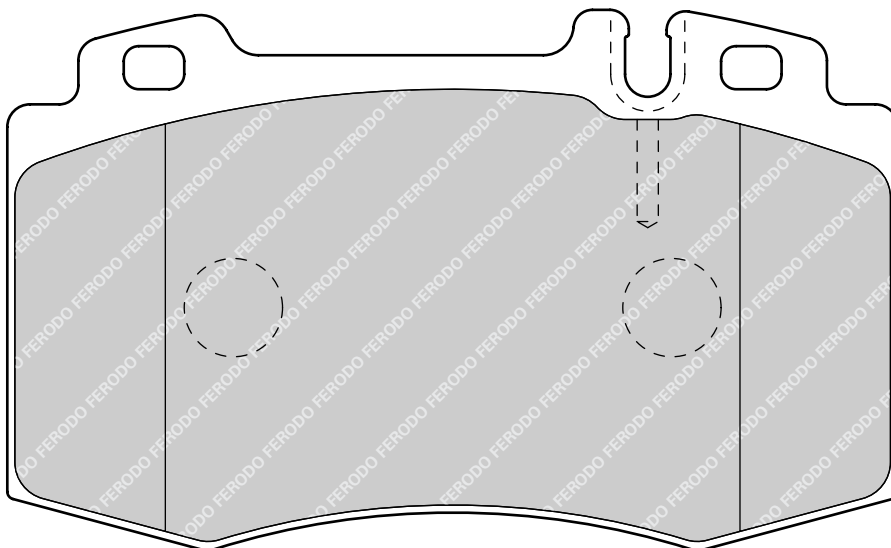
CHRYSLER



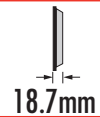
FDB1661



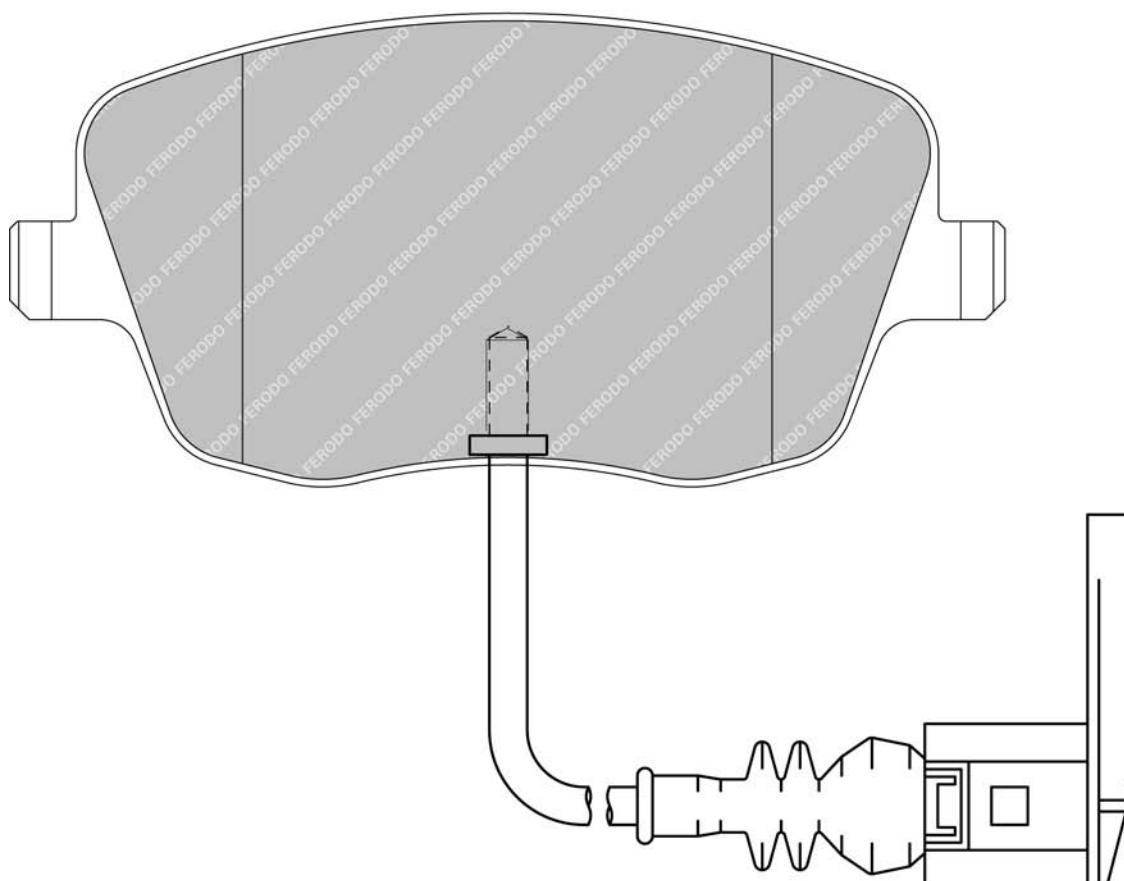
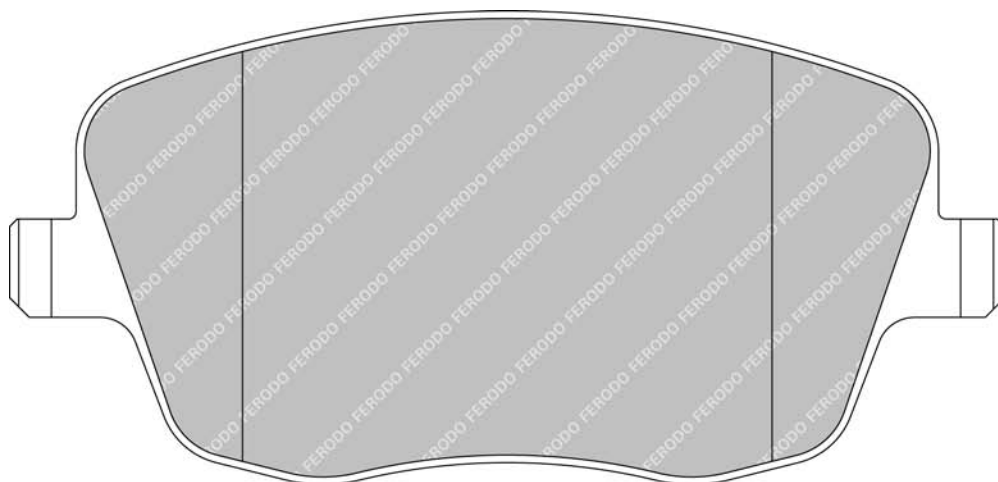
MERCEDES BENZ



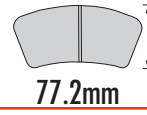
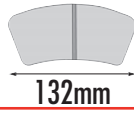
FDB1662



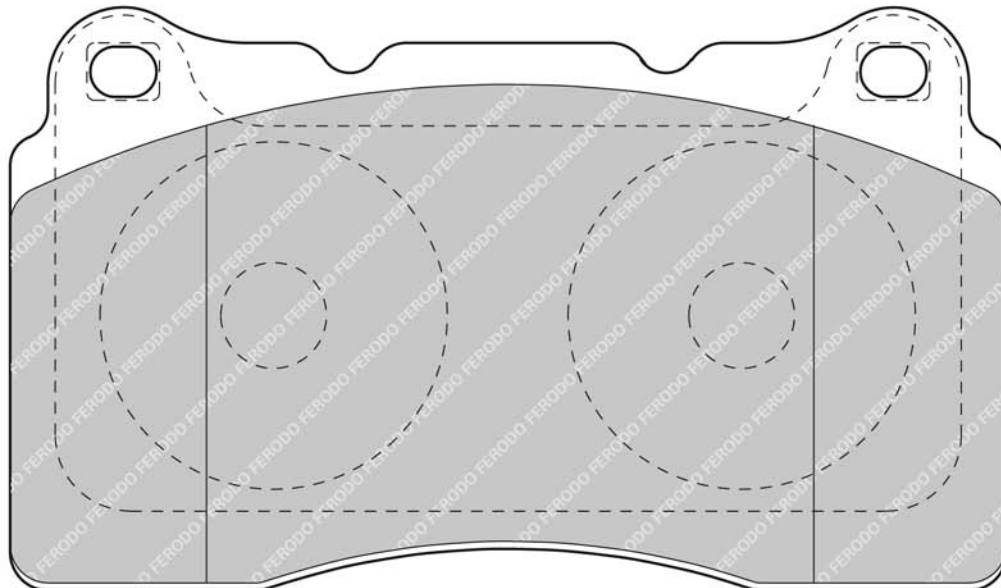
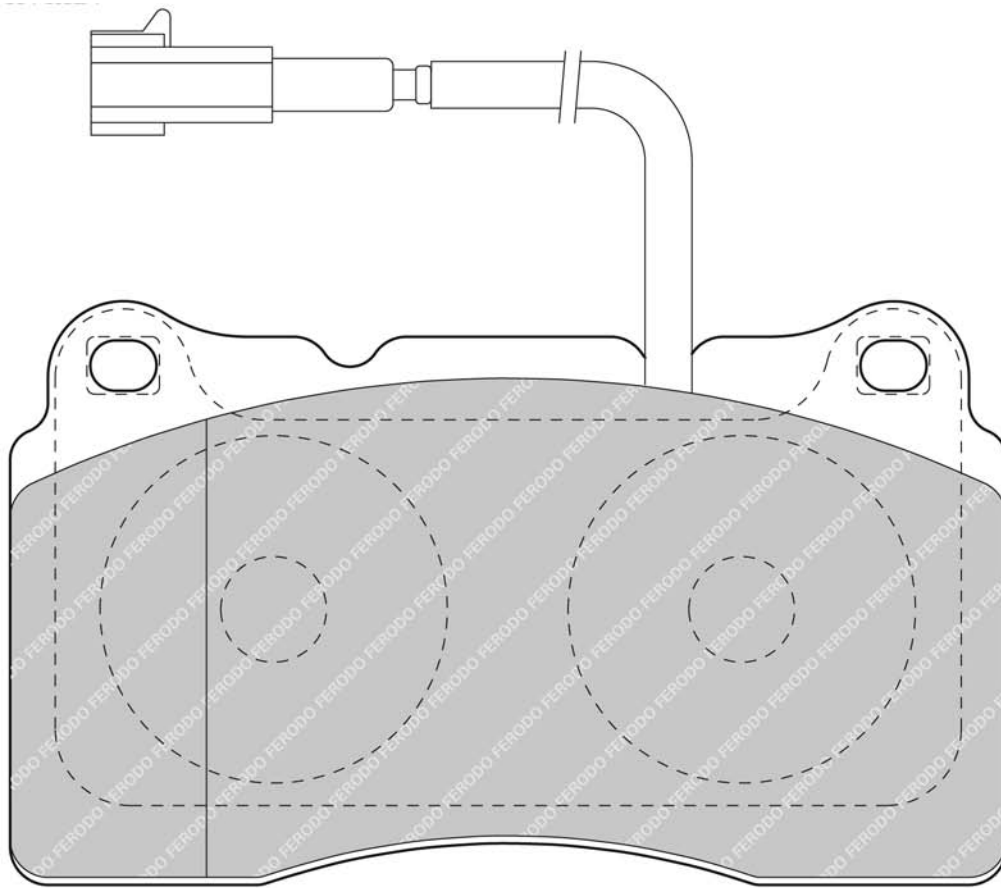
VOLKSWAGEN



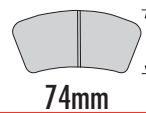
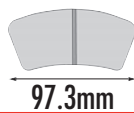
FDB1663



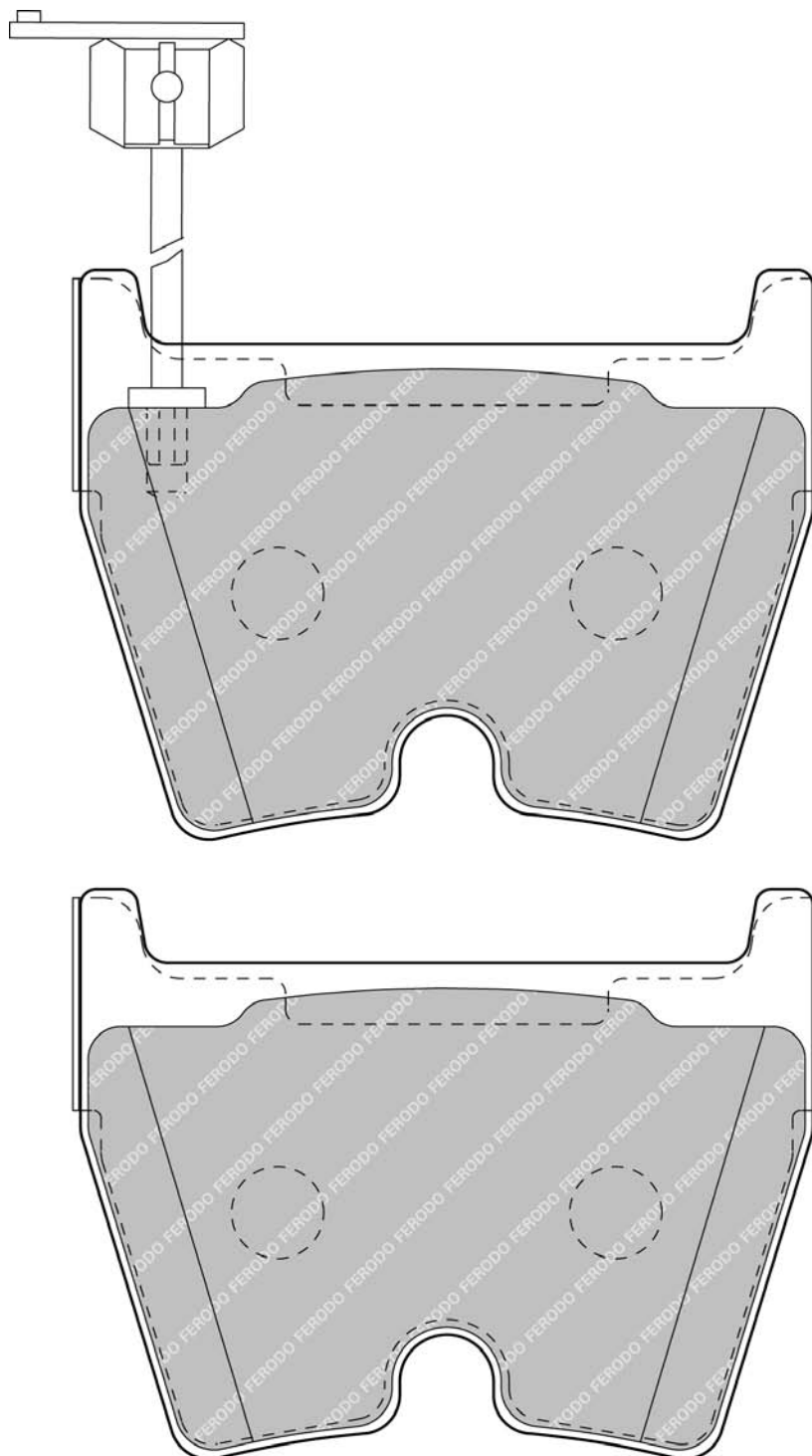
ALFA ROMEO



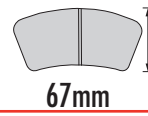
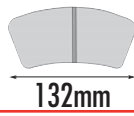
FDB1664



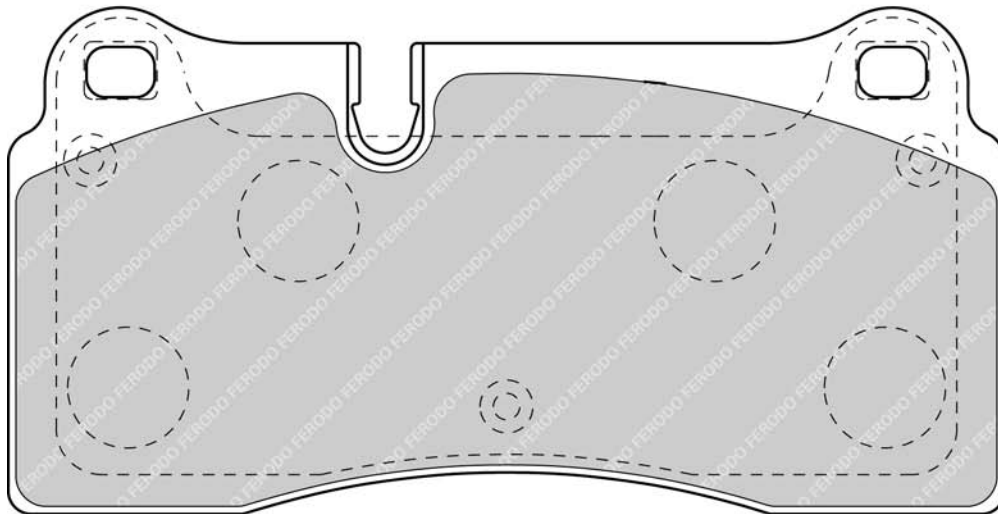
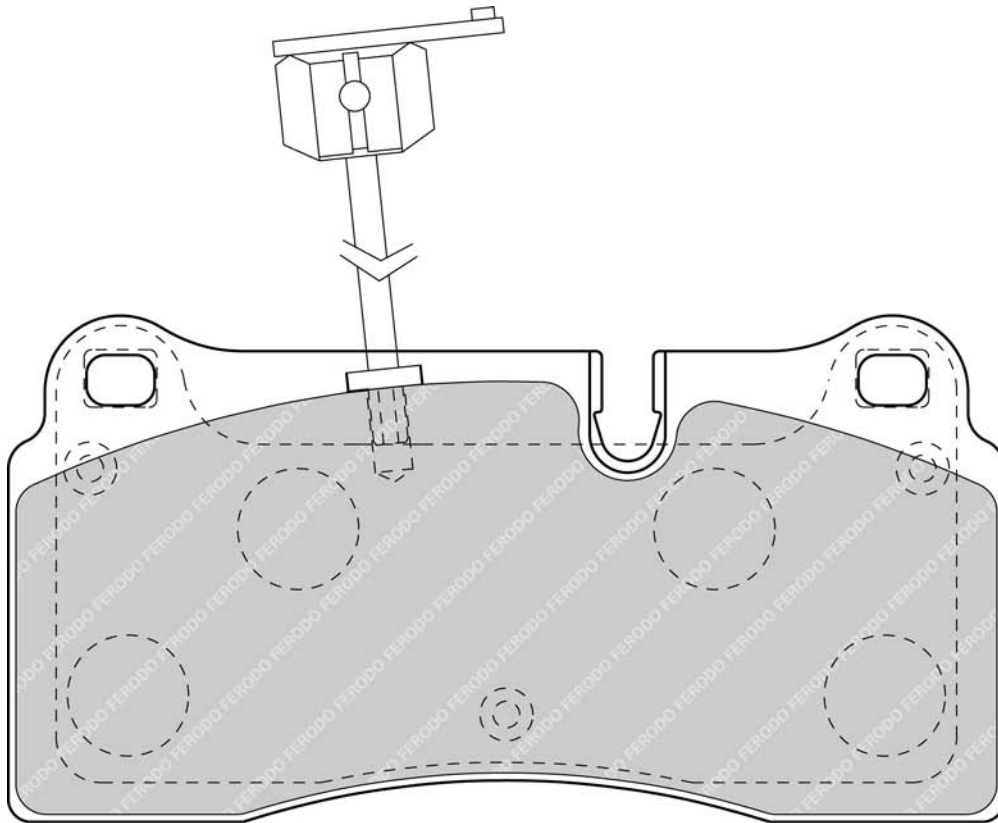
LAMBORGHINI



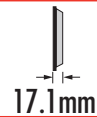
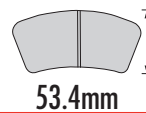
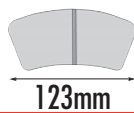
FDB1665



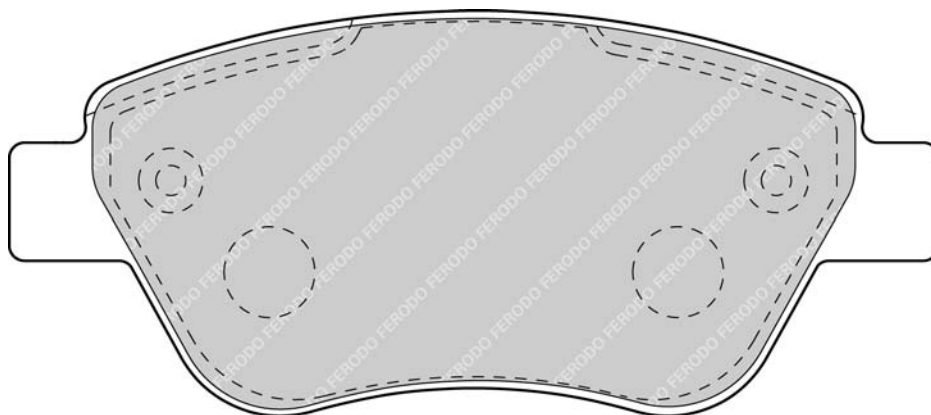
LAMBORGHINI



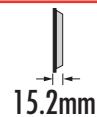
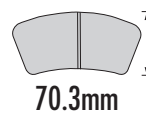
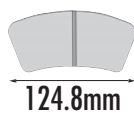
FDB1666



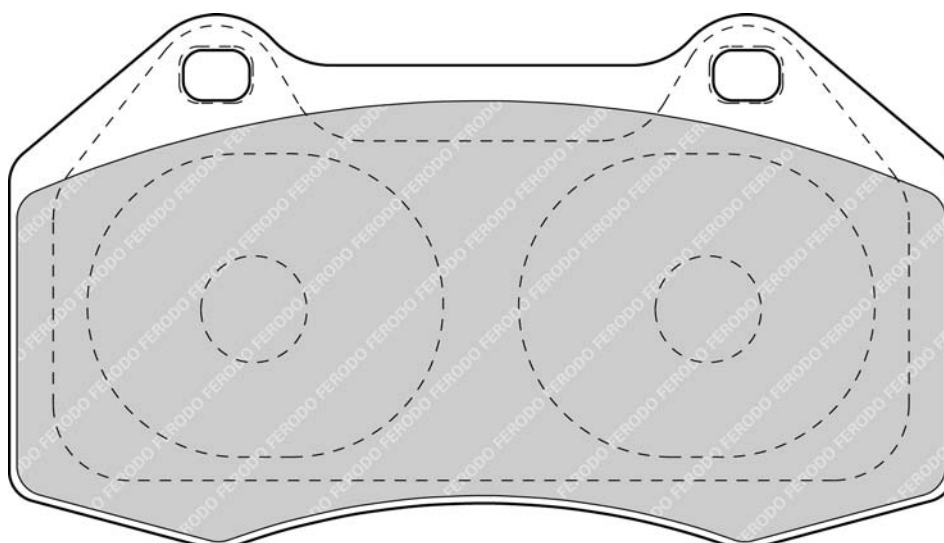
PROTON



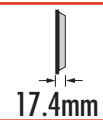
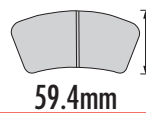
FDB1667



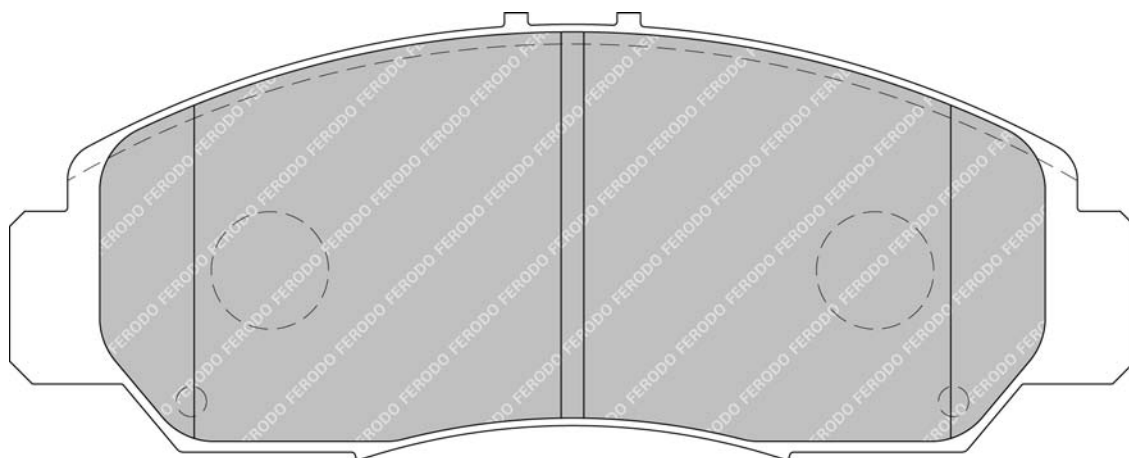
RENAULT



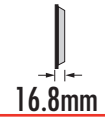
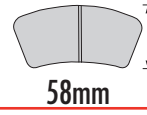
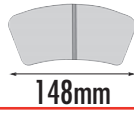
FDB1669



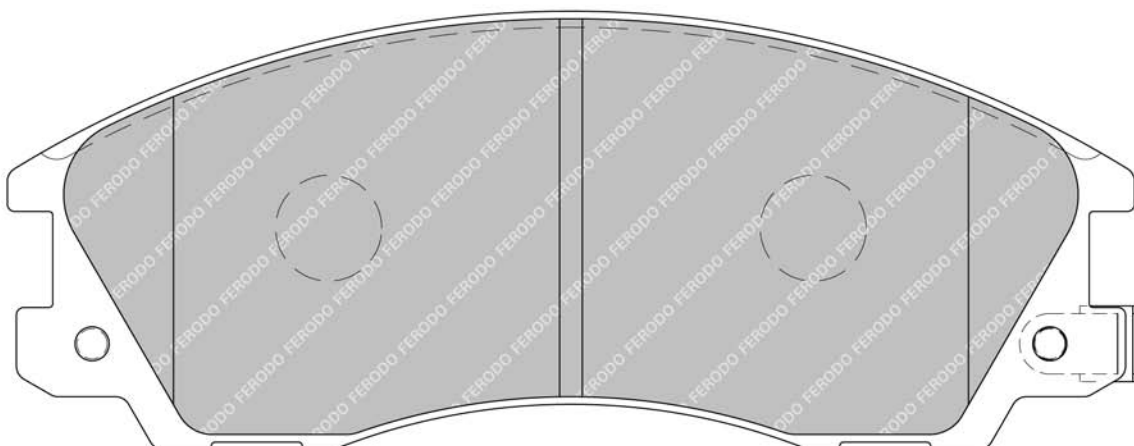
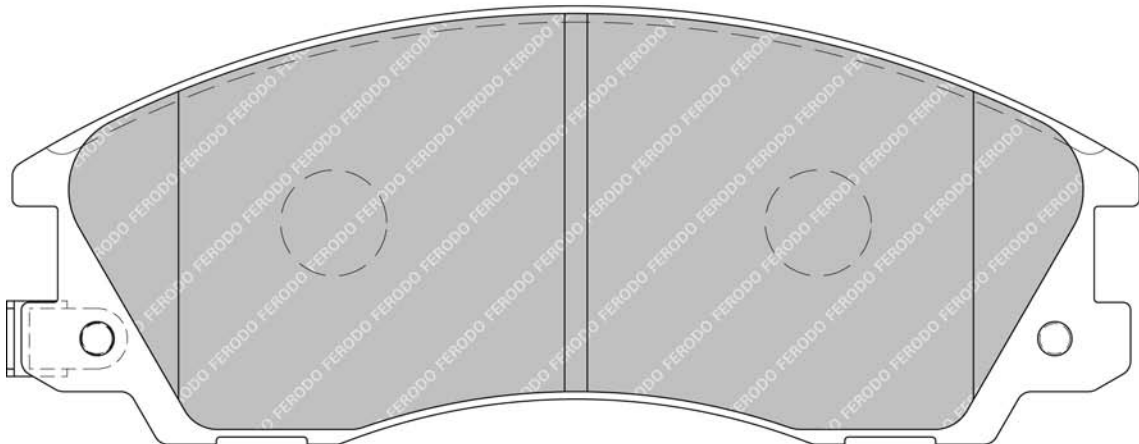
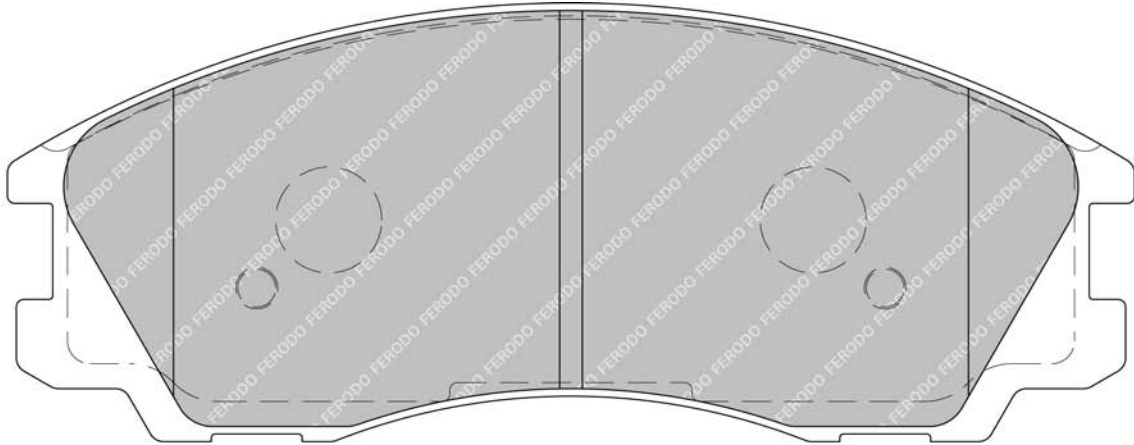
HONDA



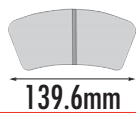
FDB1670



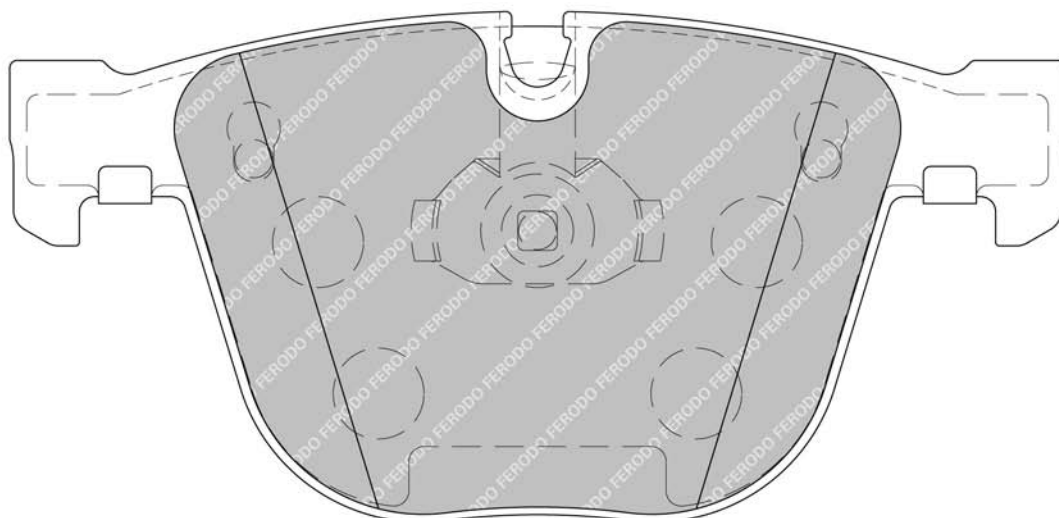
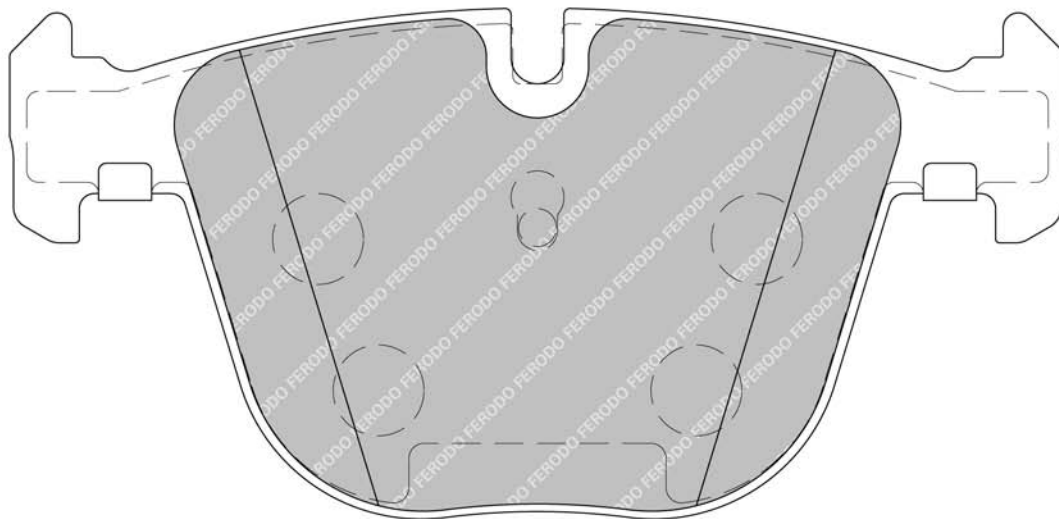
HYUNDAI



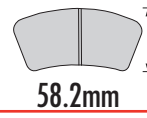
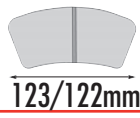
FDB1672



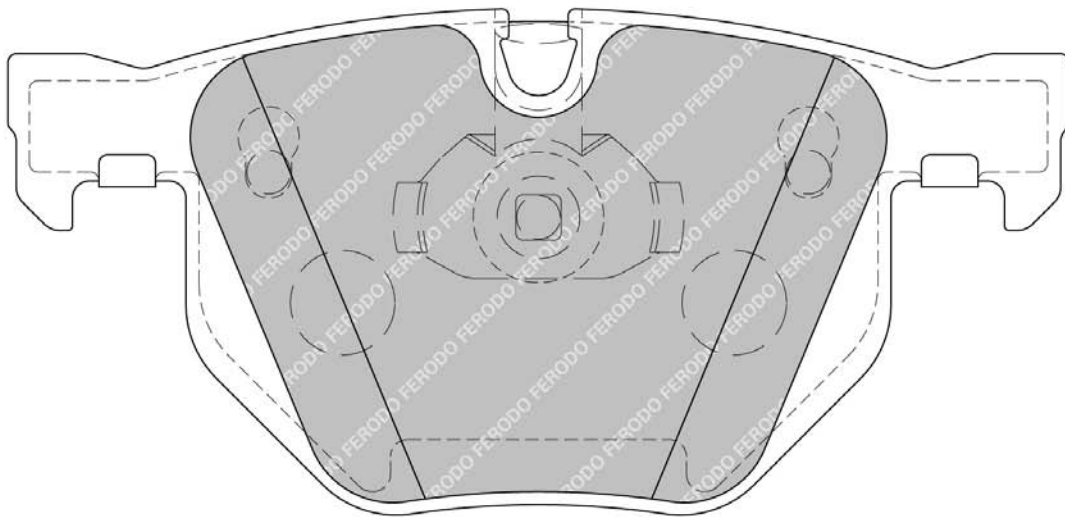
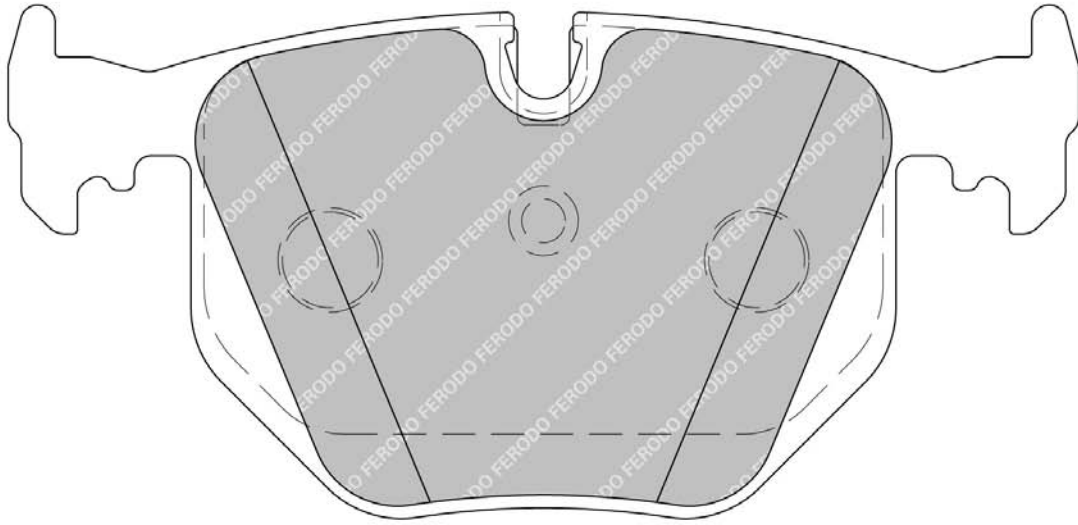
BMW



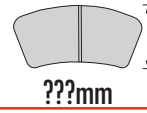
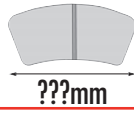
FDB1673



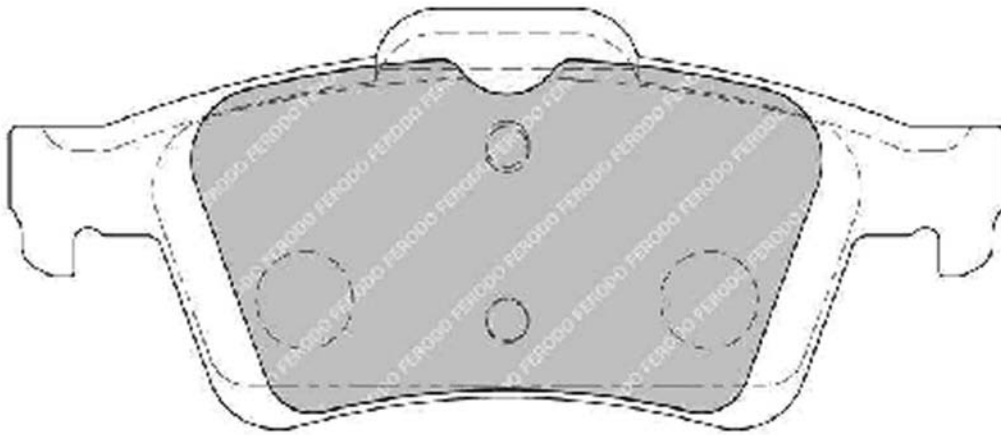
BMW



FDB1675



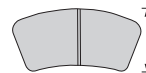
MAZDA



FDB1676



123mm

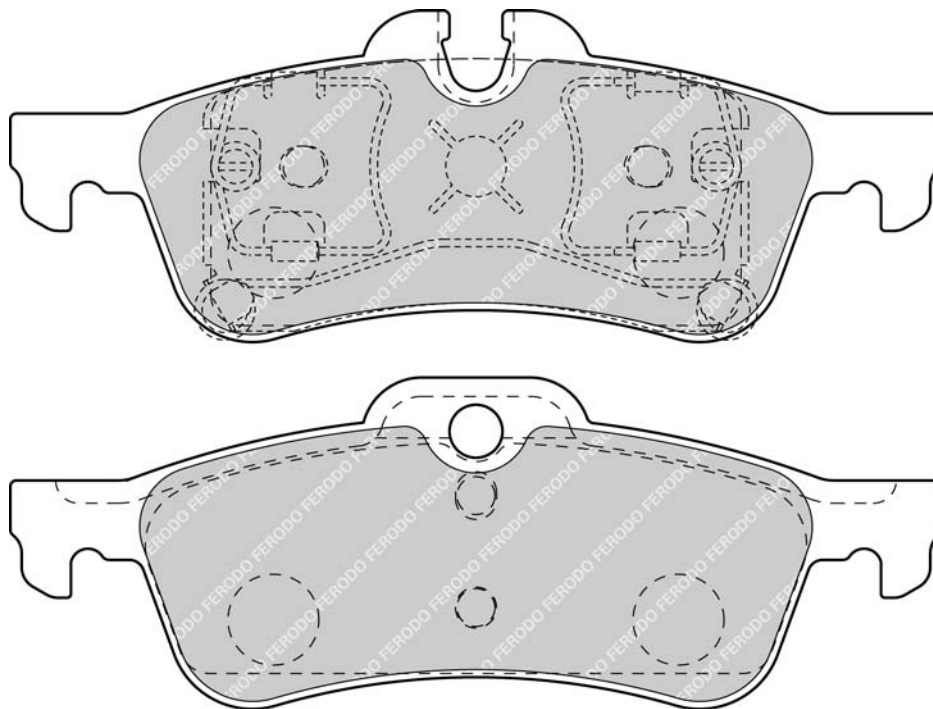


43.8mm



16.4mm

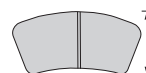
BMW



FDB1679



88.6mm



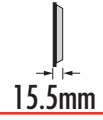
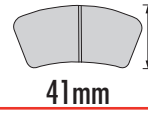
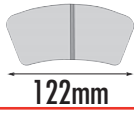
47.5mm



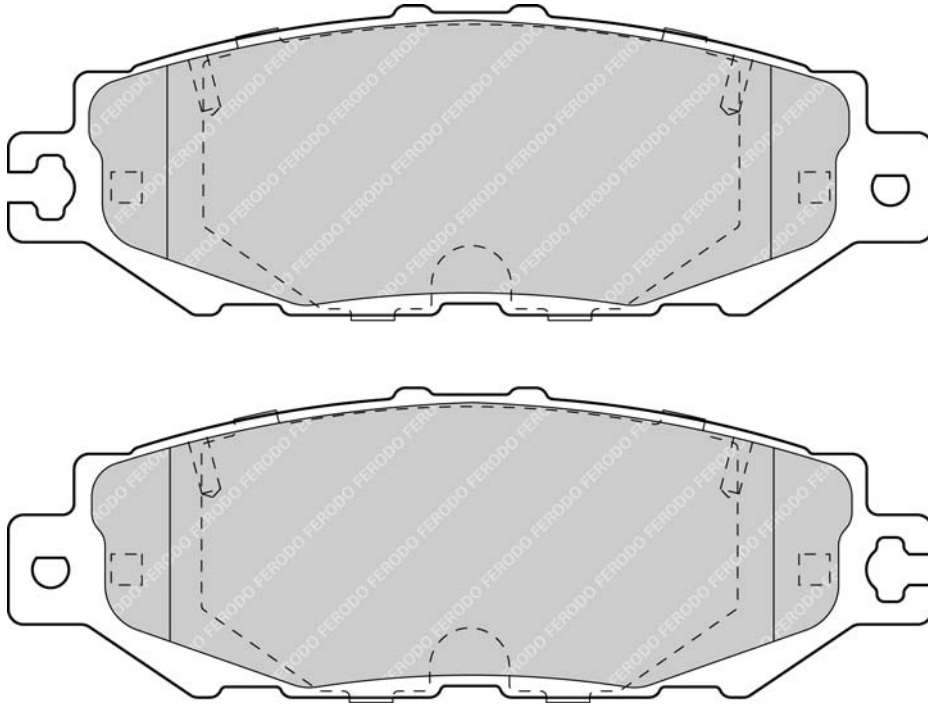
15.2mm

NO ILLUSTRATION AVAILABLE

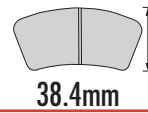
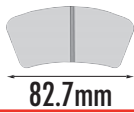
FDB1684



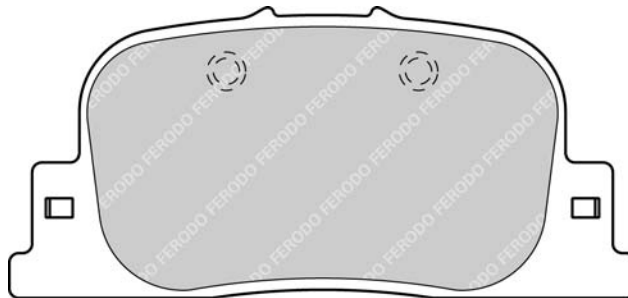
TOYOTA



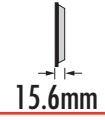
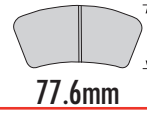
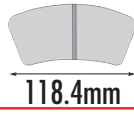
FDB1686



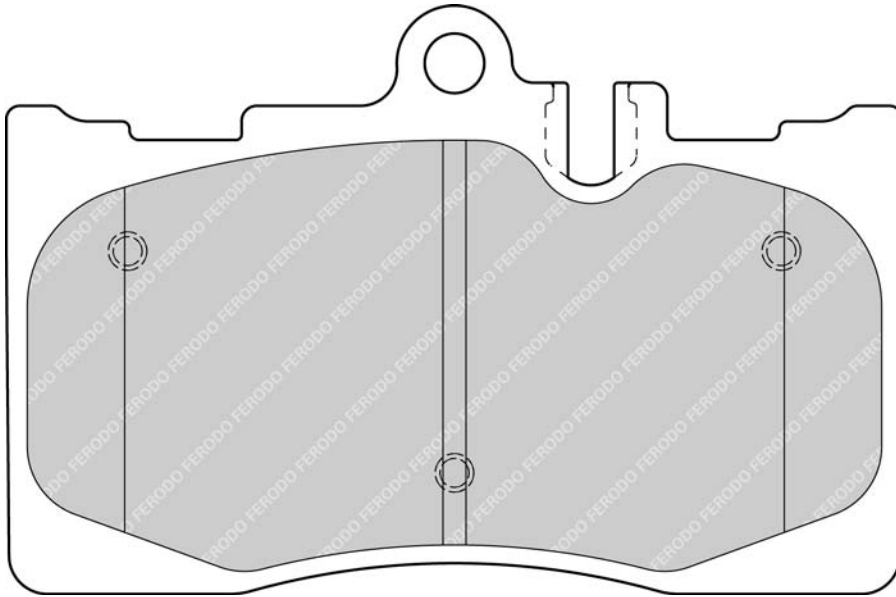
TOYOTA



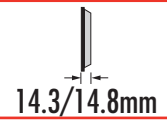
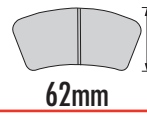
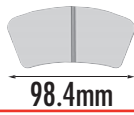
FDB1688



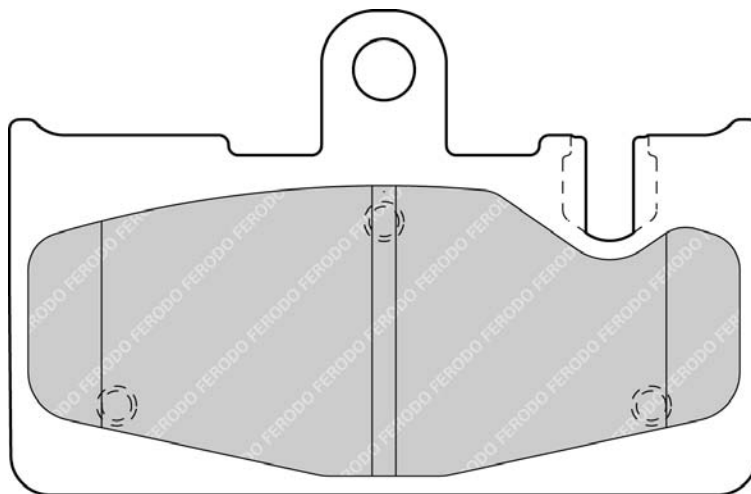
TOYOTA



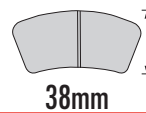
FDB1689



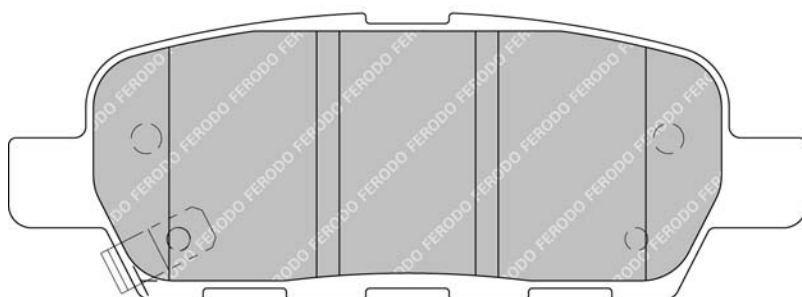
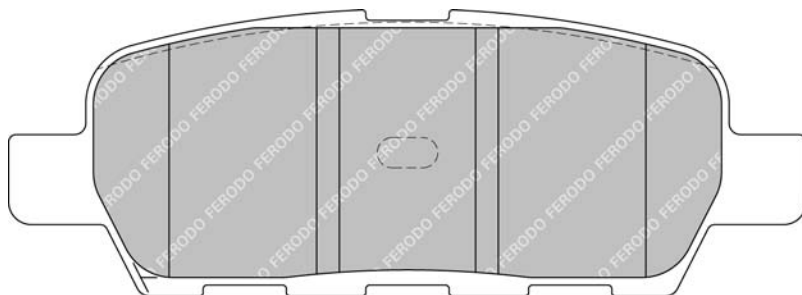
TOYOTA



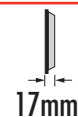
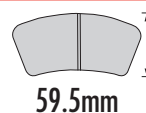
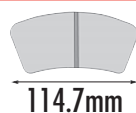
FDB1693



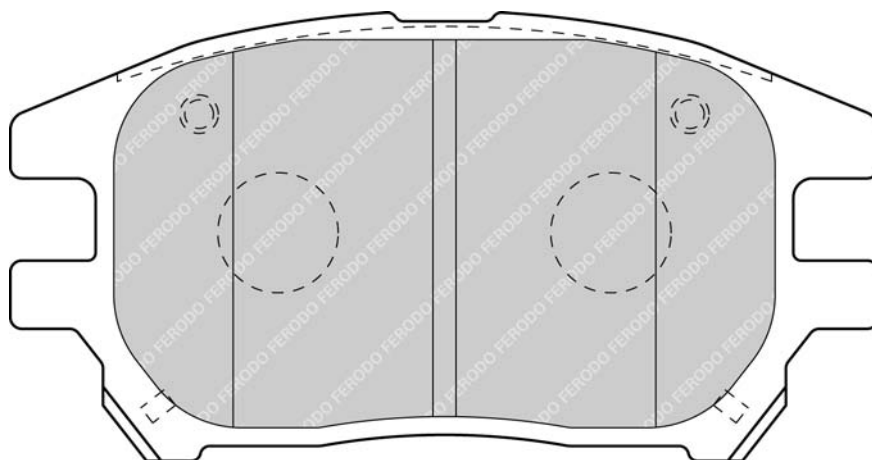
NISSAN



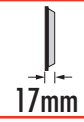
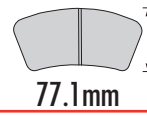
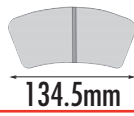
FDB1697



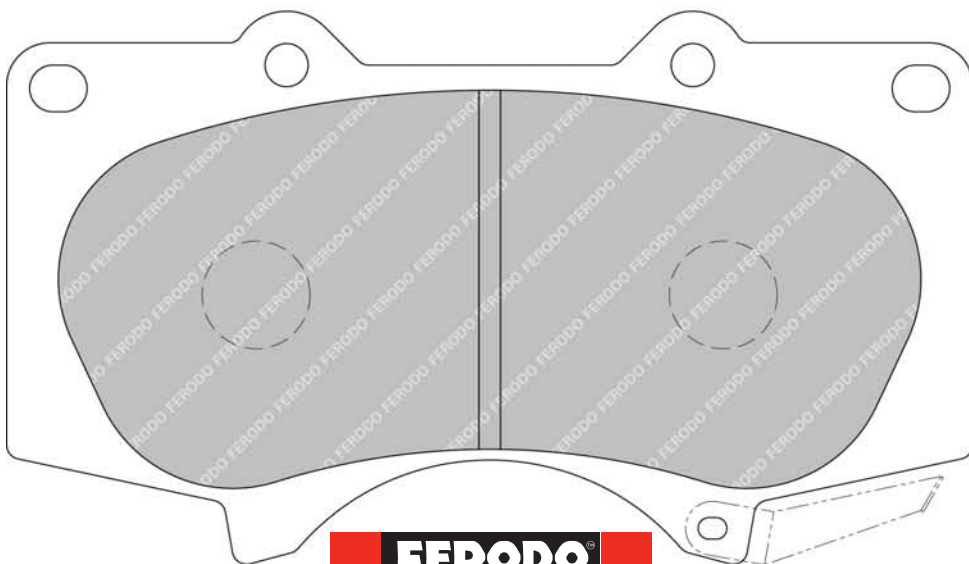
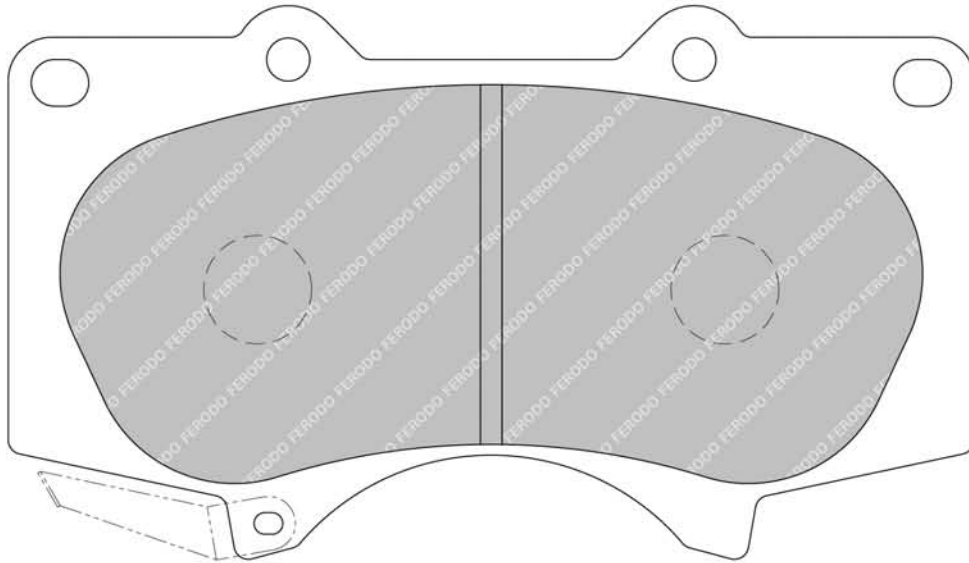
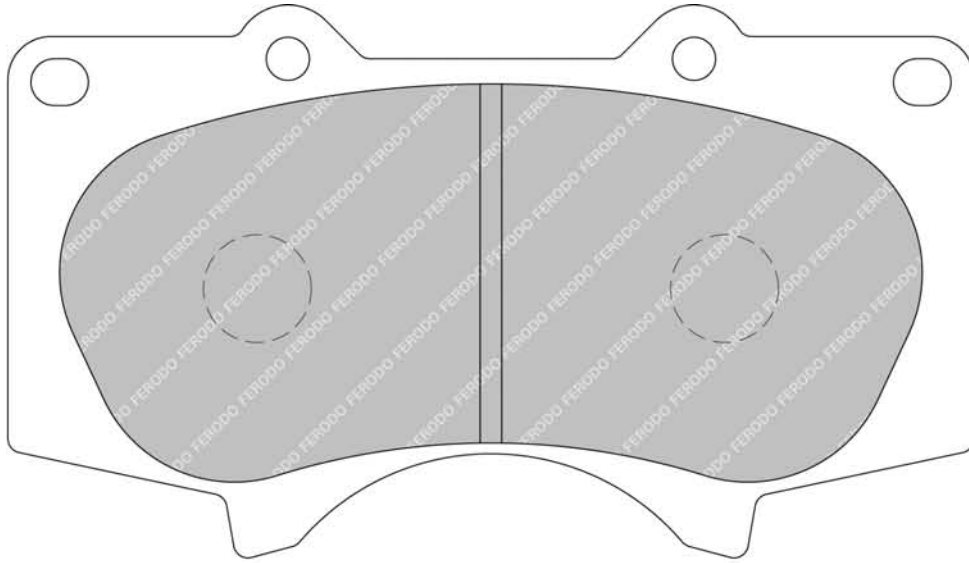
TOYOTA



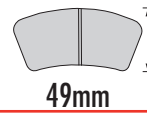
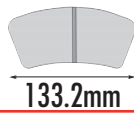
FDB1698



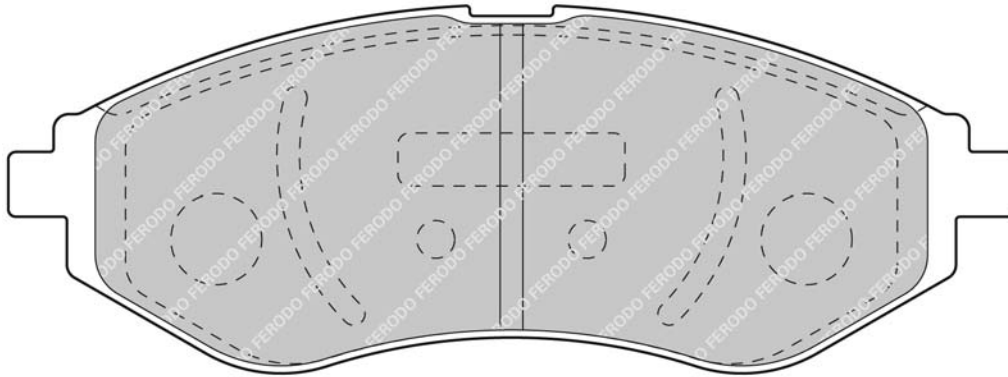
TOYOTA



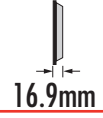
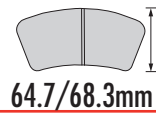
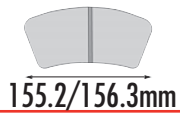
FDB1699



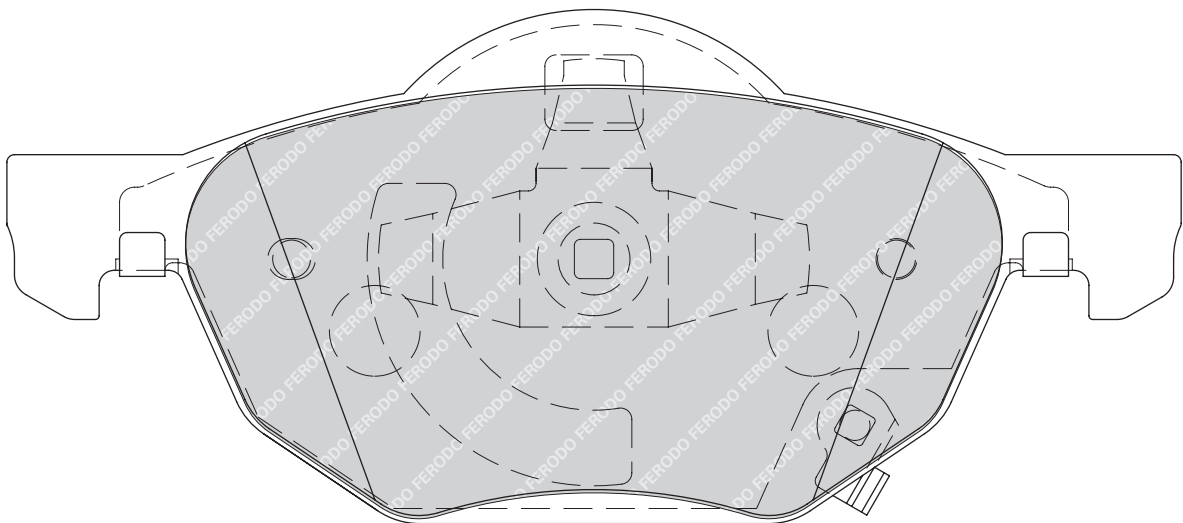
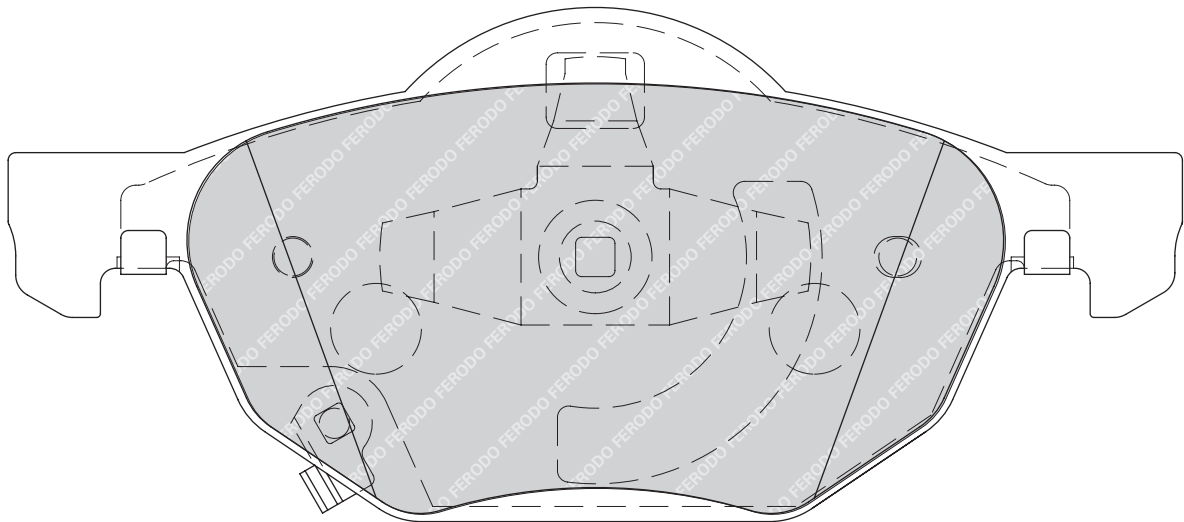
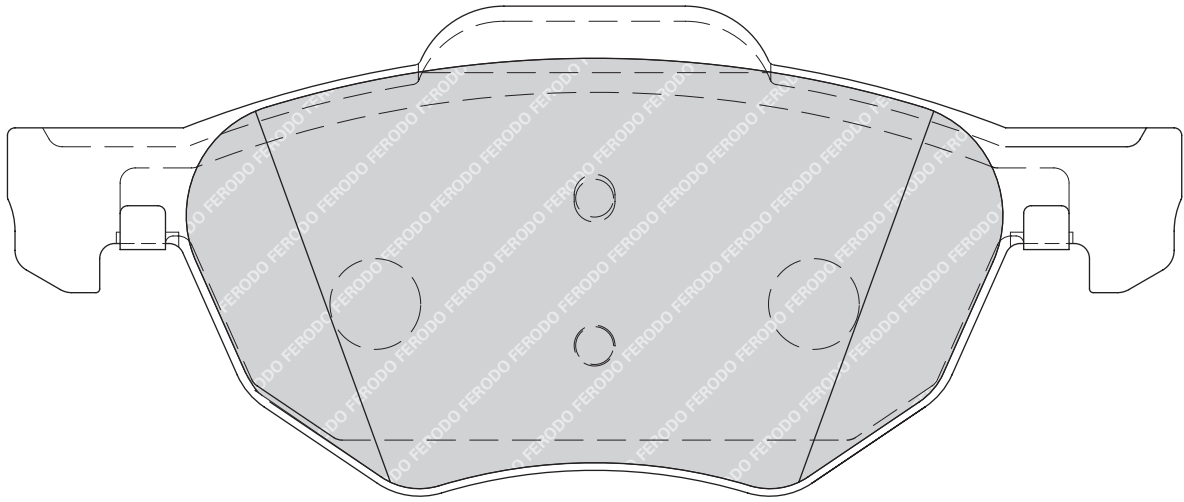
PROTON



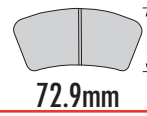
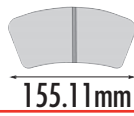
FDB1704



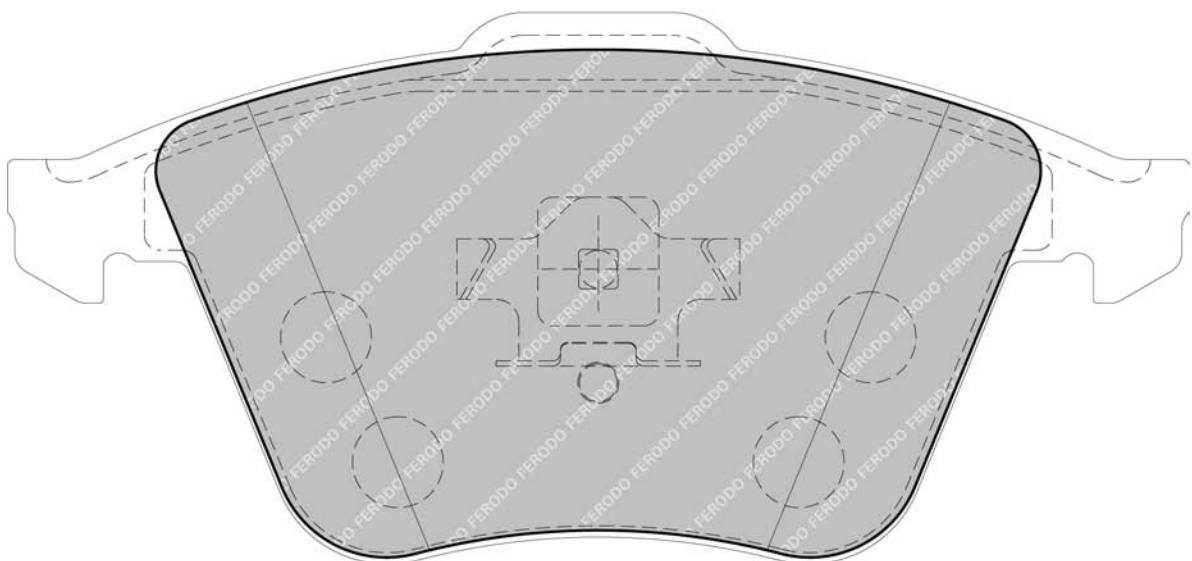
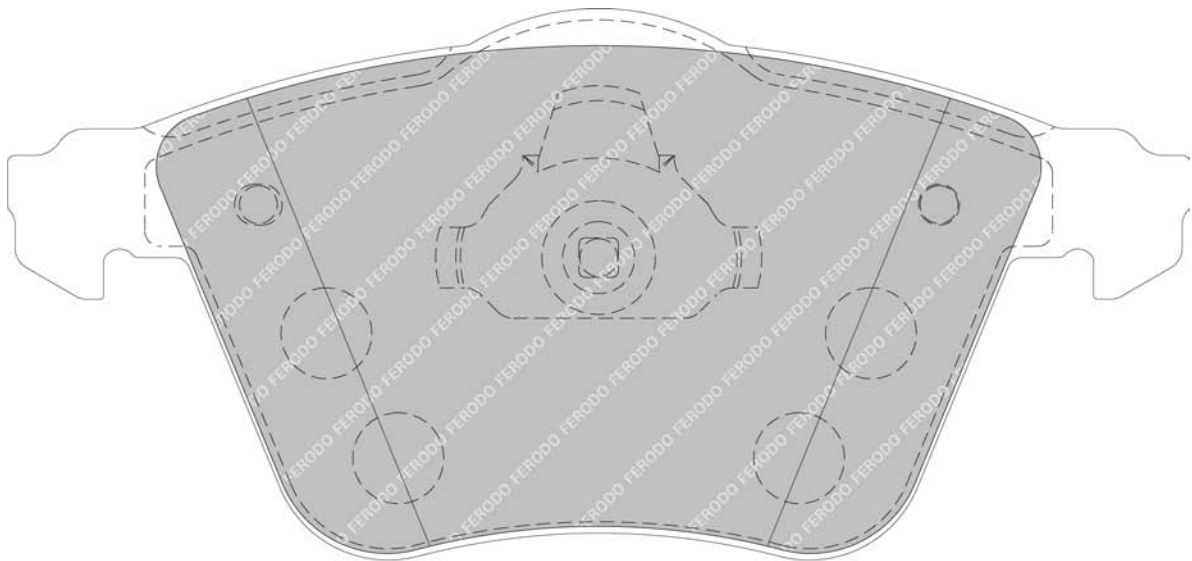
HONDA



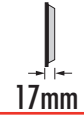
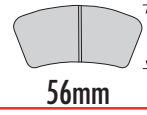
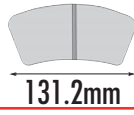
FDB1706



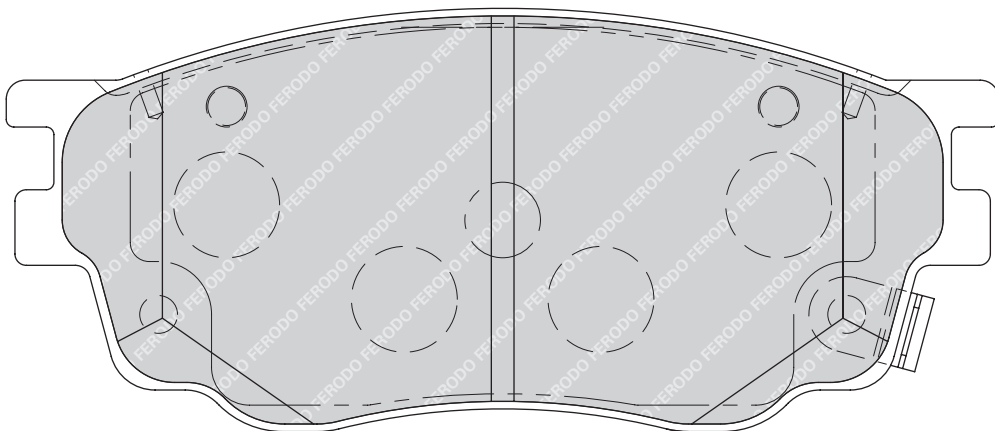
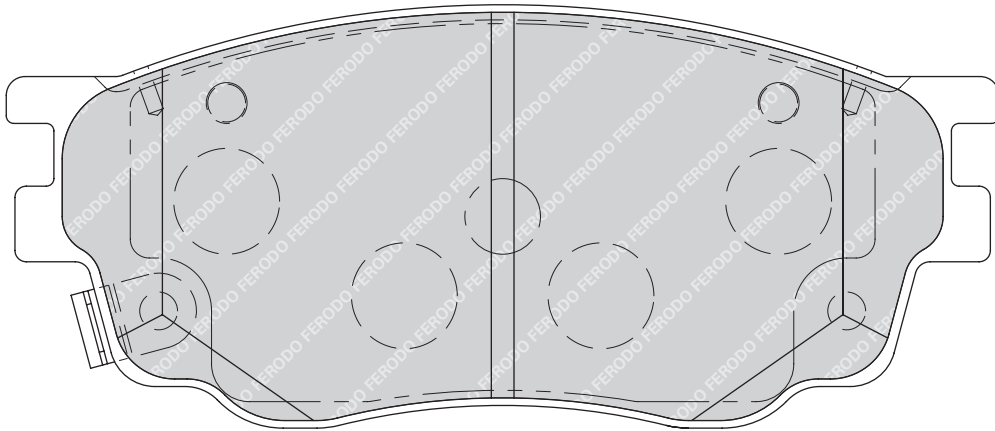
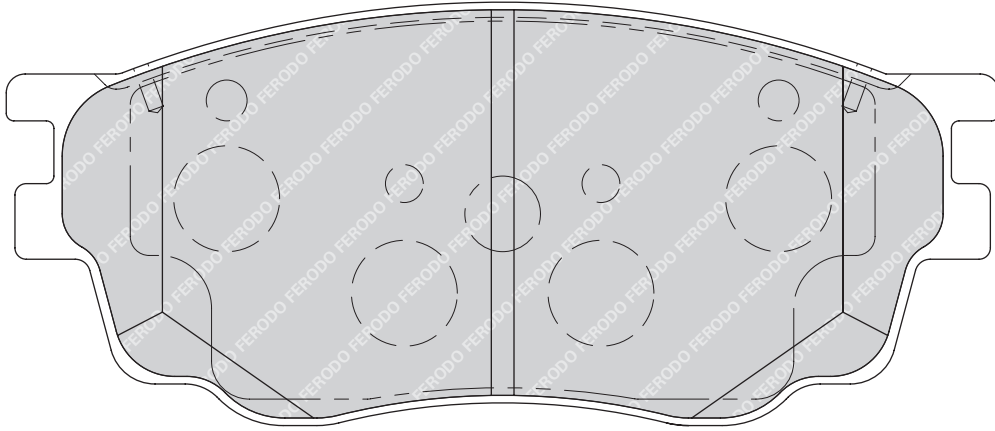
FORD, MAZDA, VOLVO



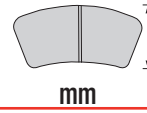
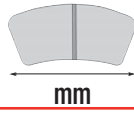
FDB1707



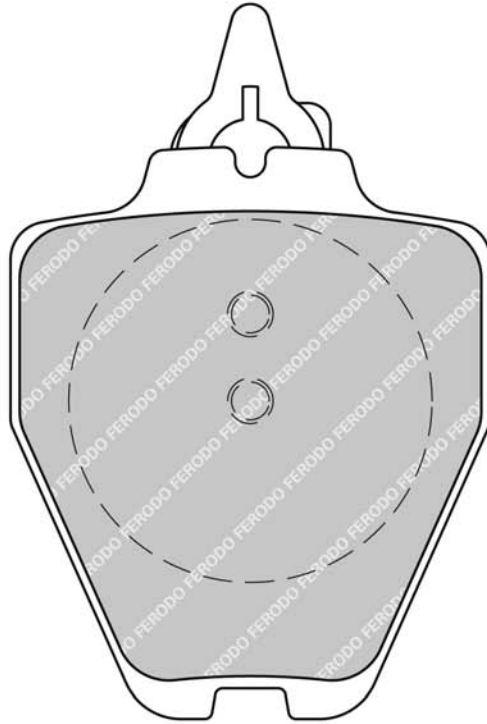
MAZDA



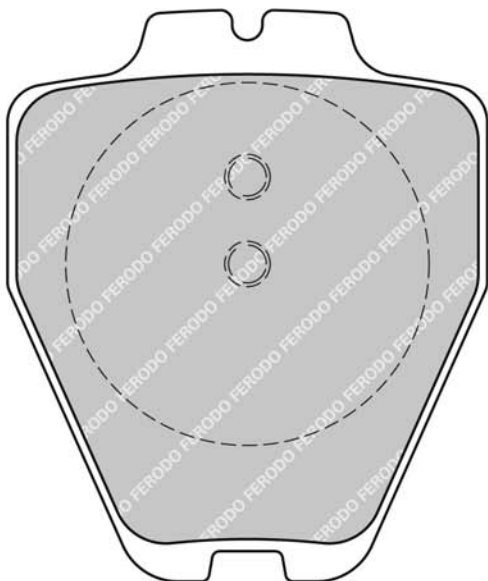
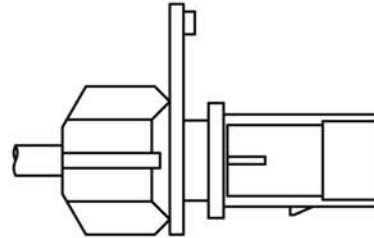
FDB1709



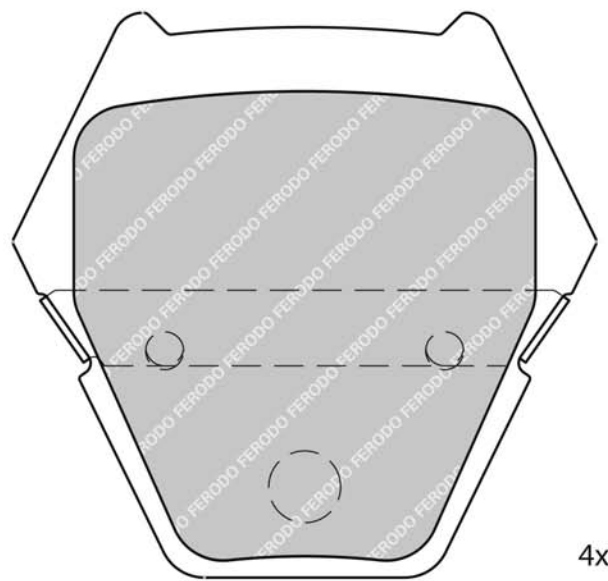
AUDI



2x

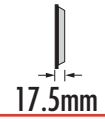
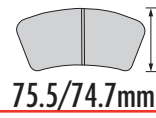


2x

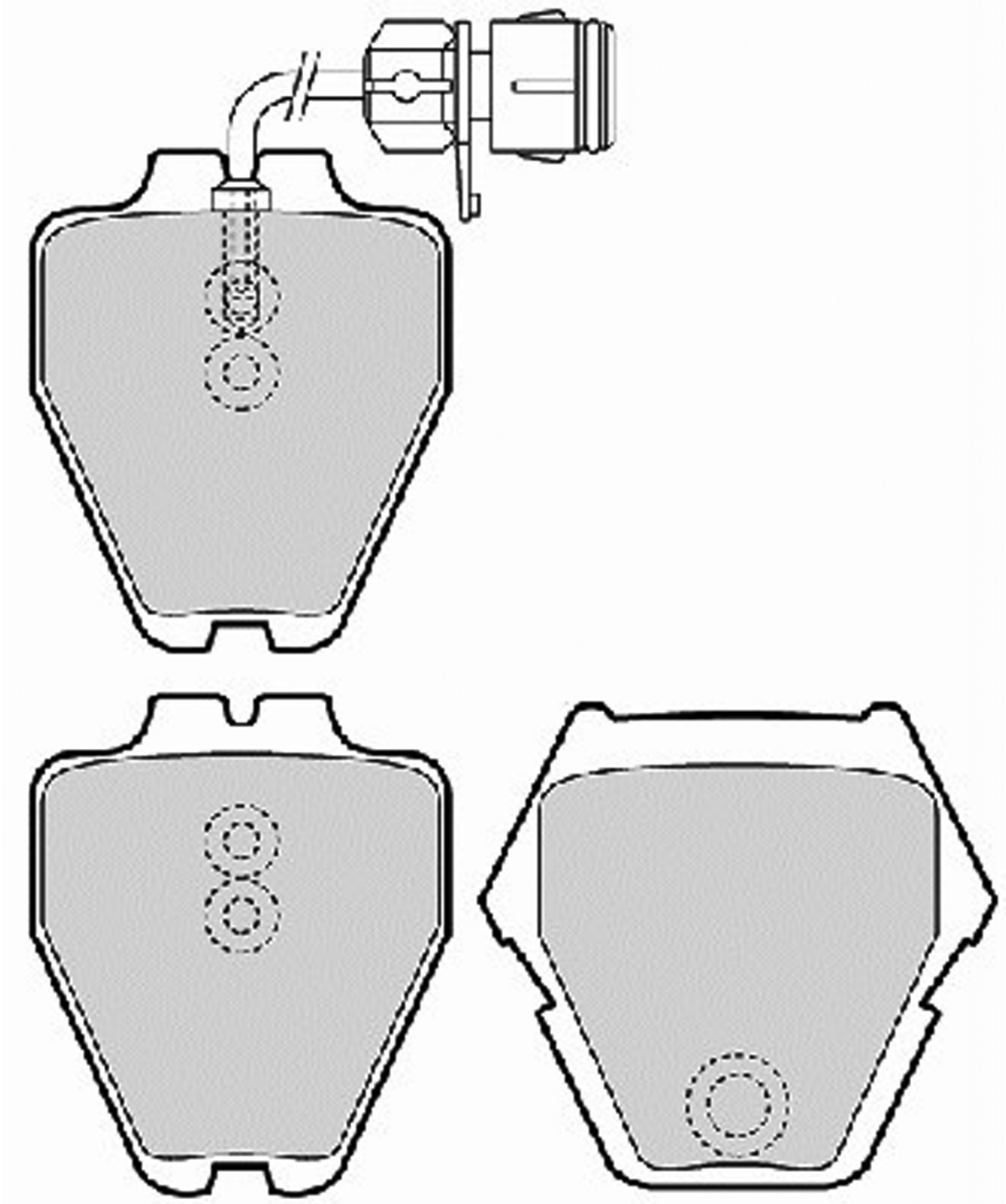


4x

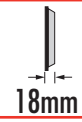
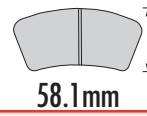
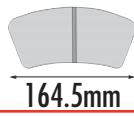
FDB1710



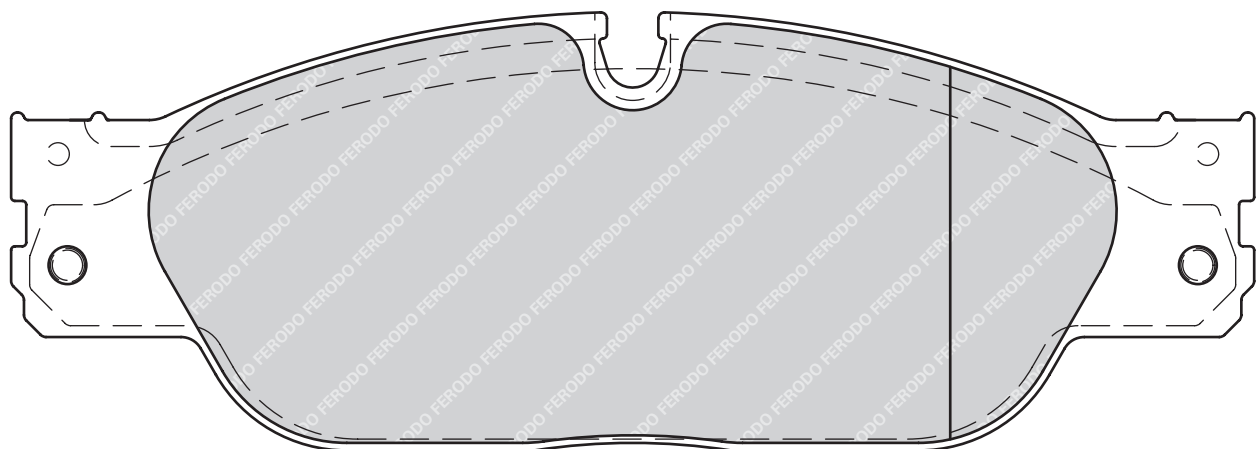
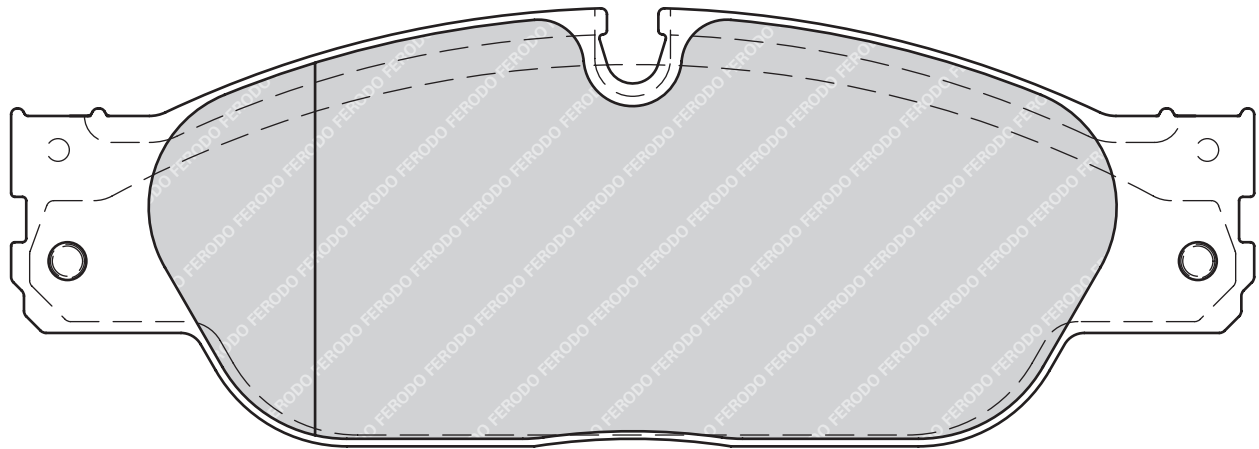
AUDI



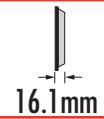
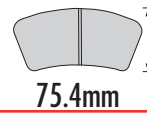
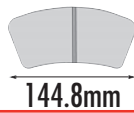
FDB1711



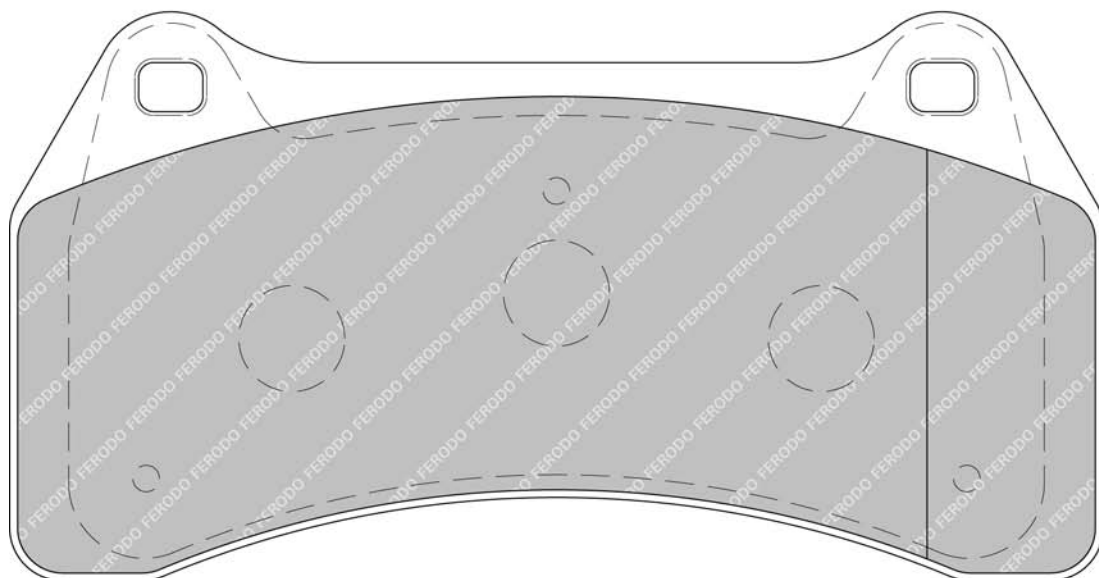
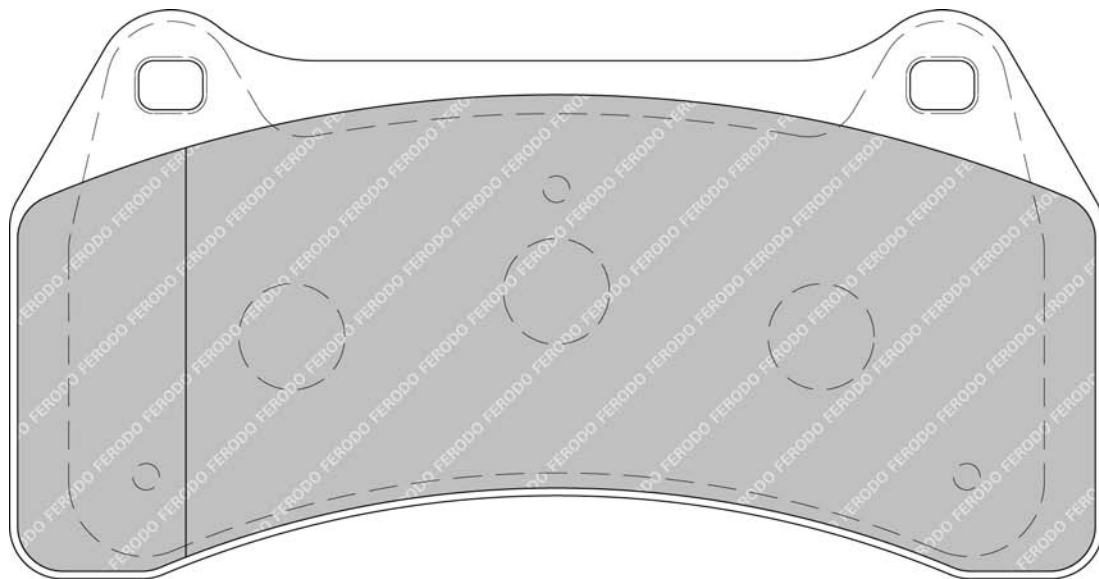
JAGUAR



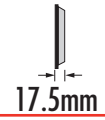
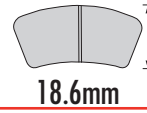
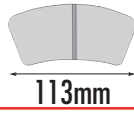
FDB1712



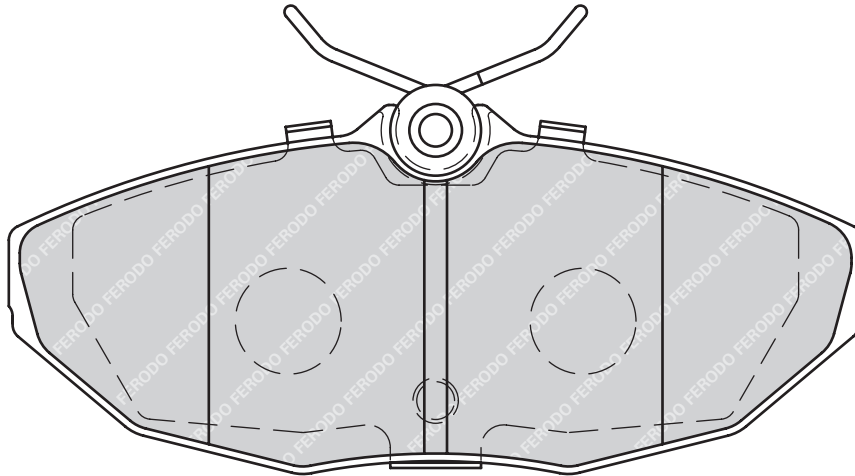
JAGUAR



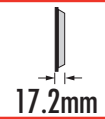
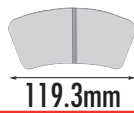
FDB1713



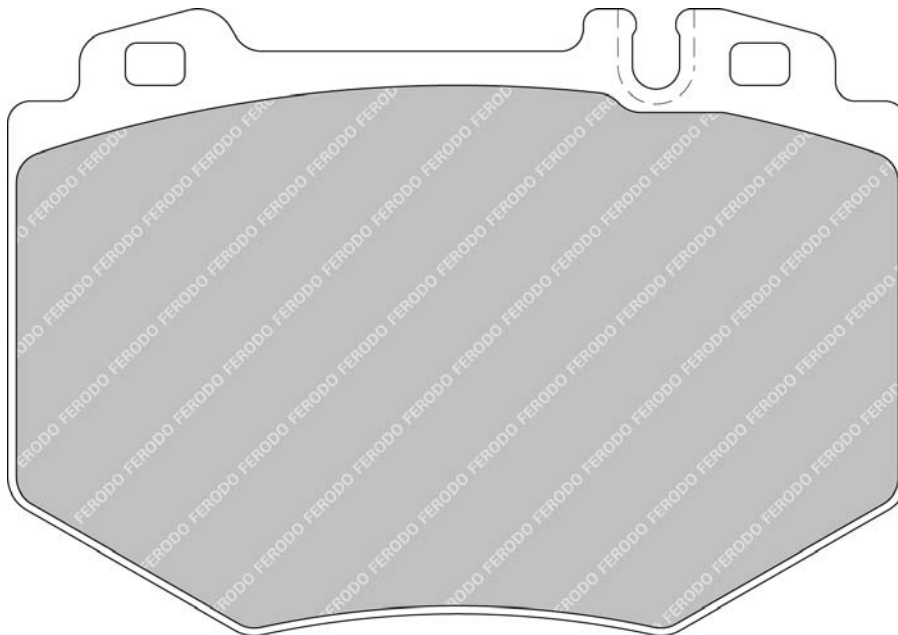
JAGUAR



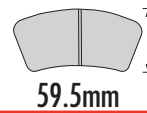
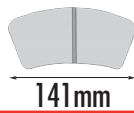
FDB1714



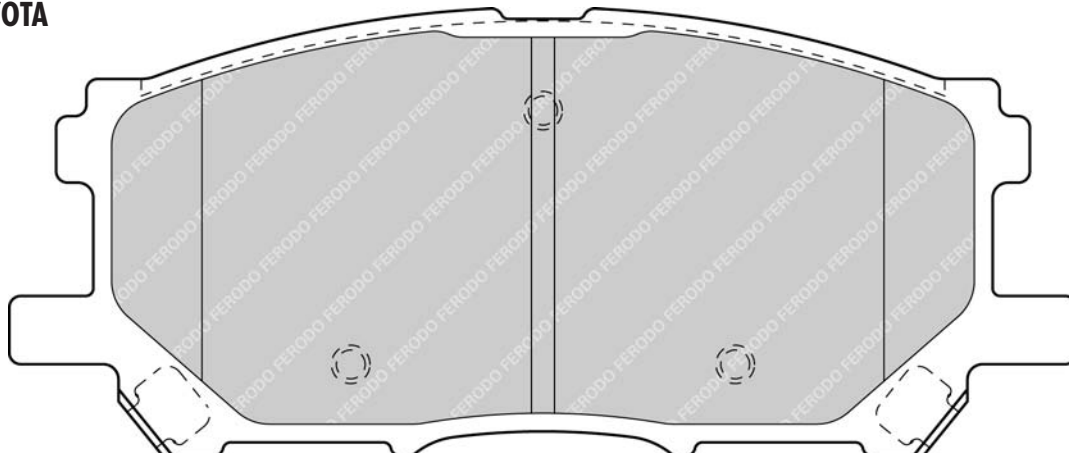
MERCEDES



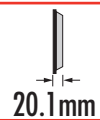
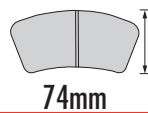
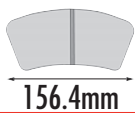
FDB1715



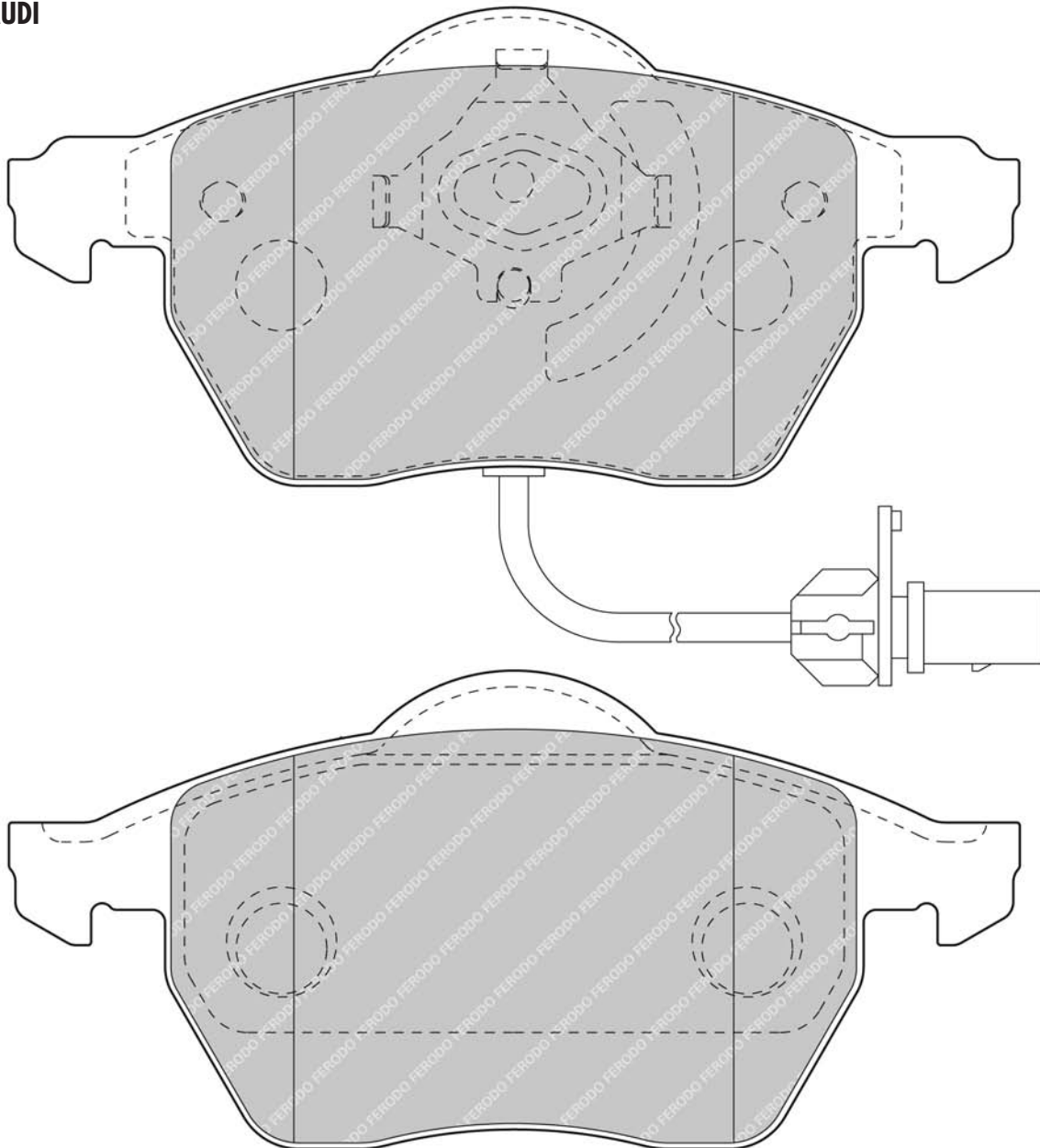
TOYOTA



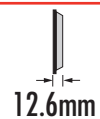
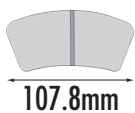
FDB1717



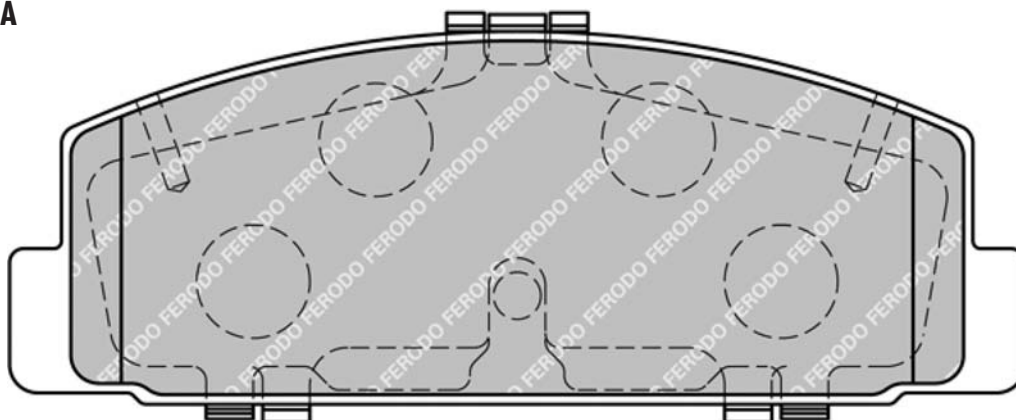
AUDI



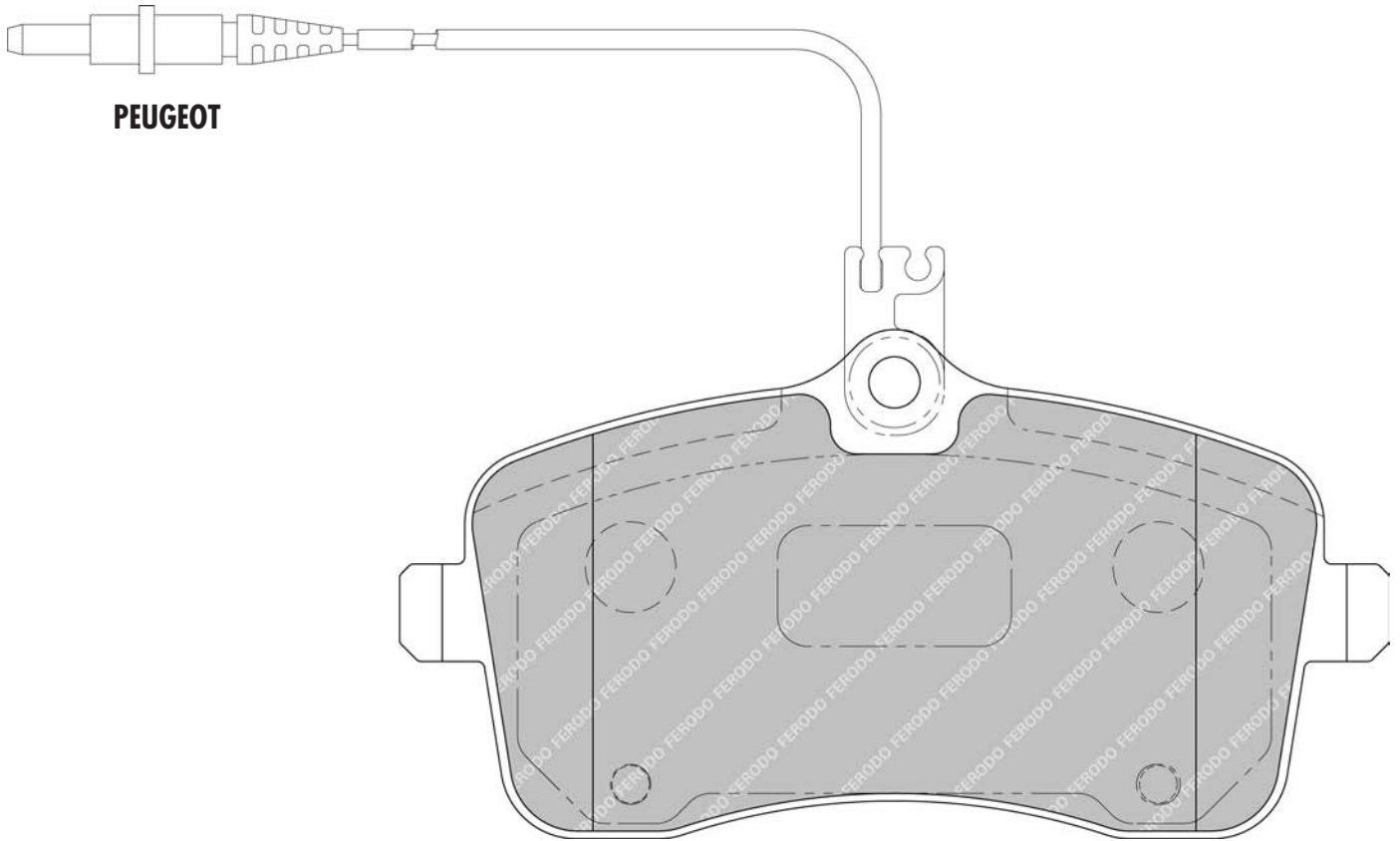
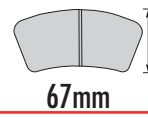
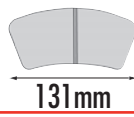
FDB1721



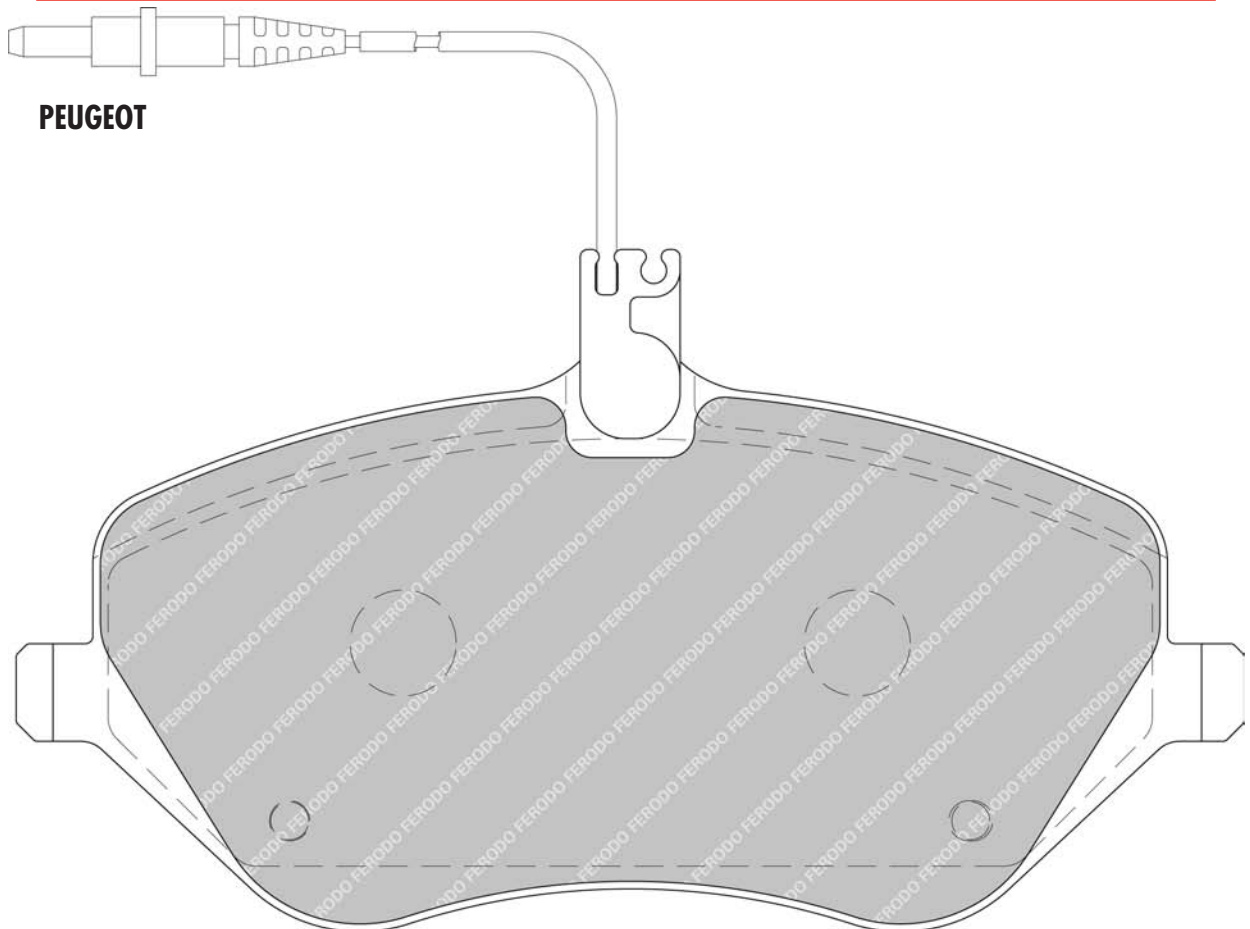
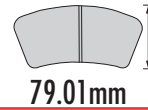
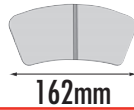
MAZDA



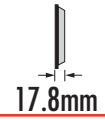
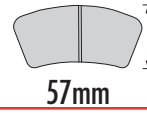
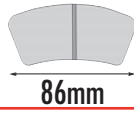
FDB1725



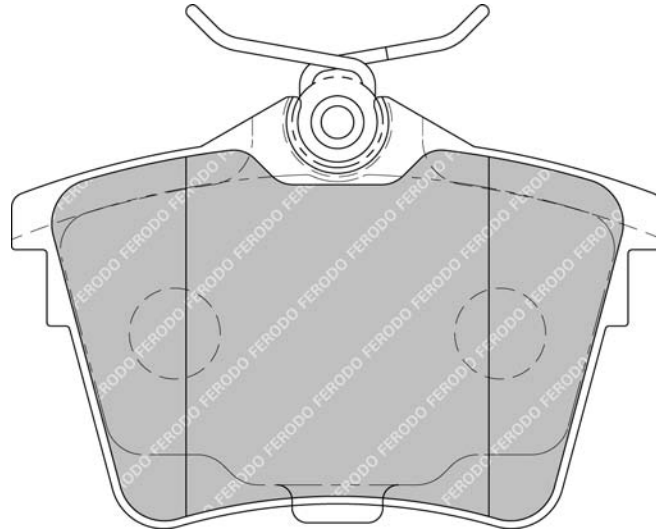
FDB1726



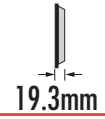
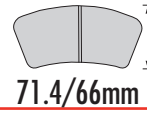
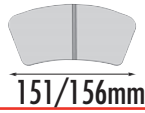
FDB1727



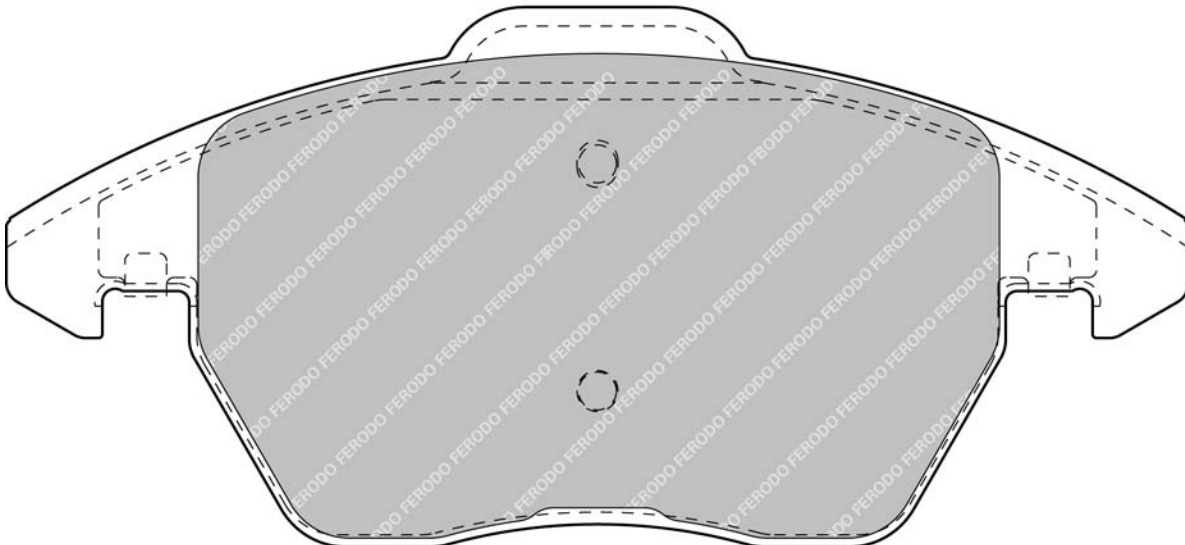
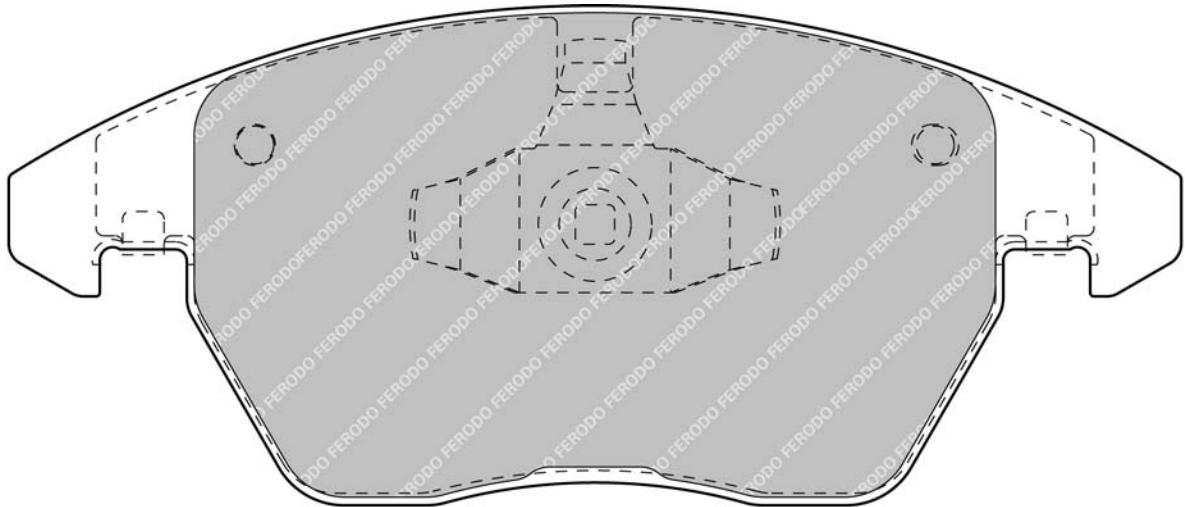
PEUGEOT



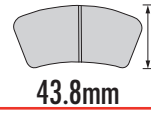
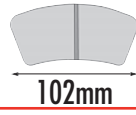
FDB1728



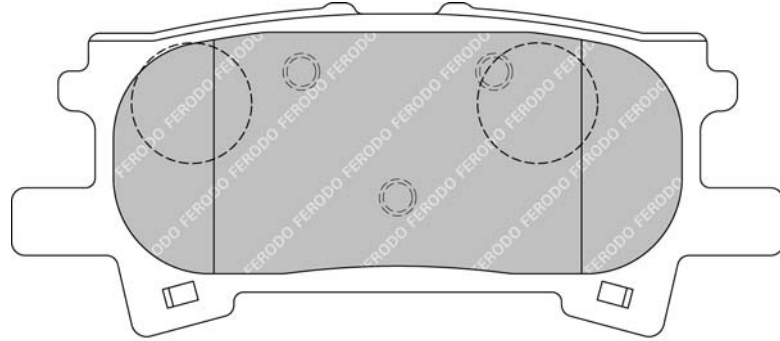
CITROEN, PEUGEOT



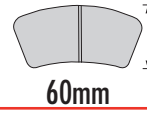
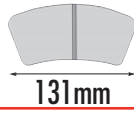
FDB1731



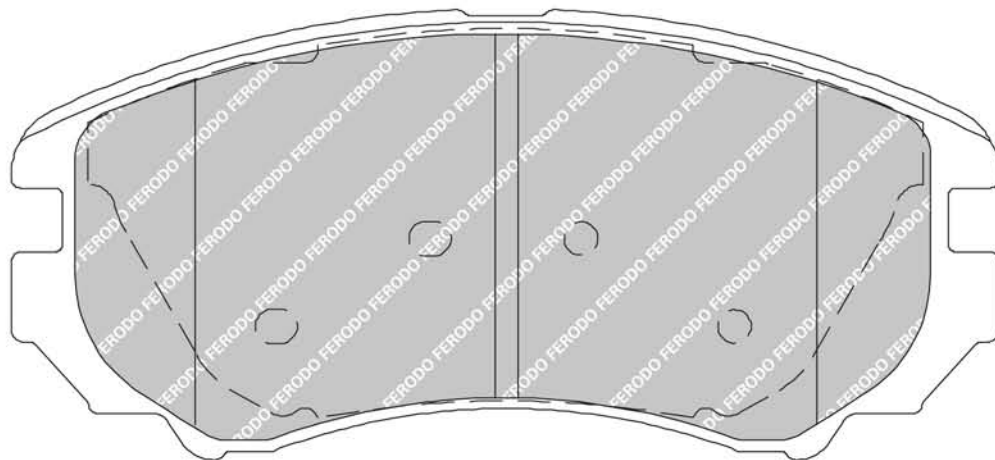
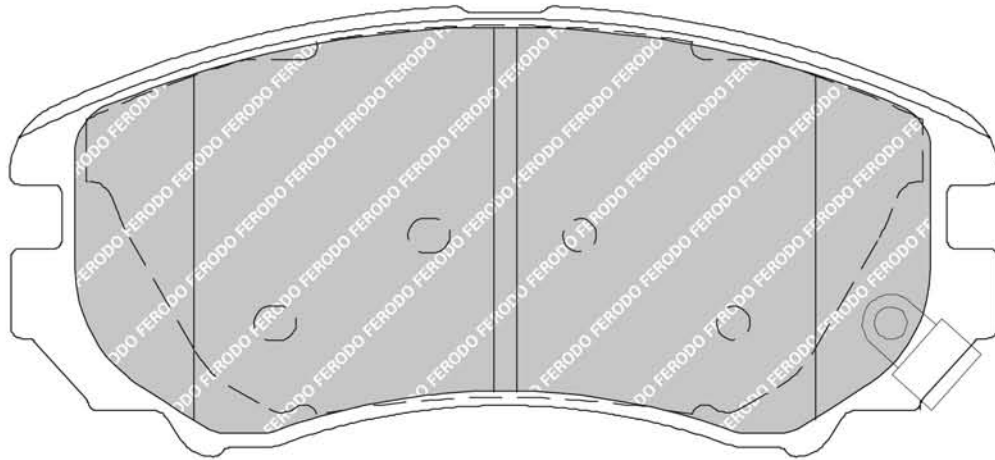
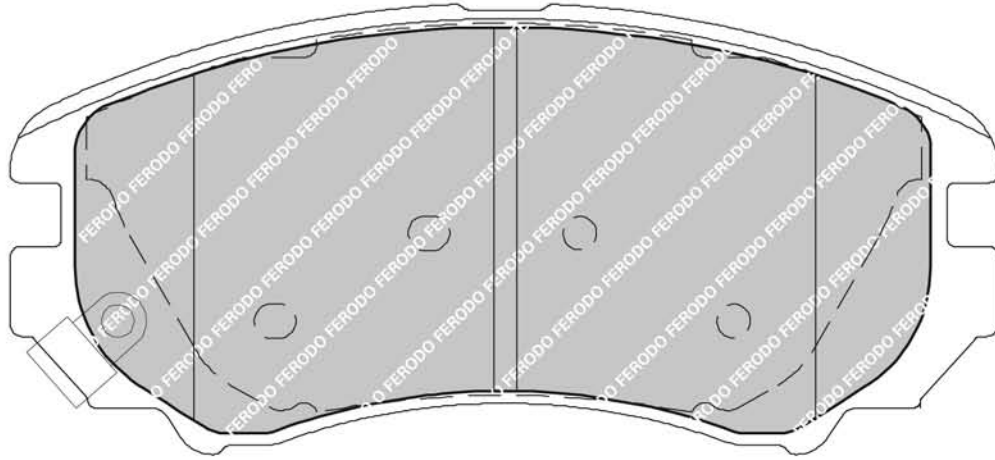
TOYOTA



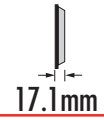
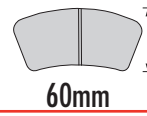
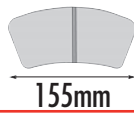
FDB1733



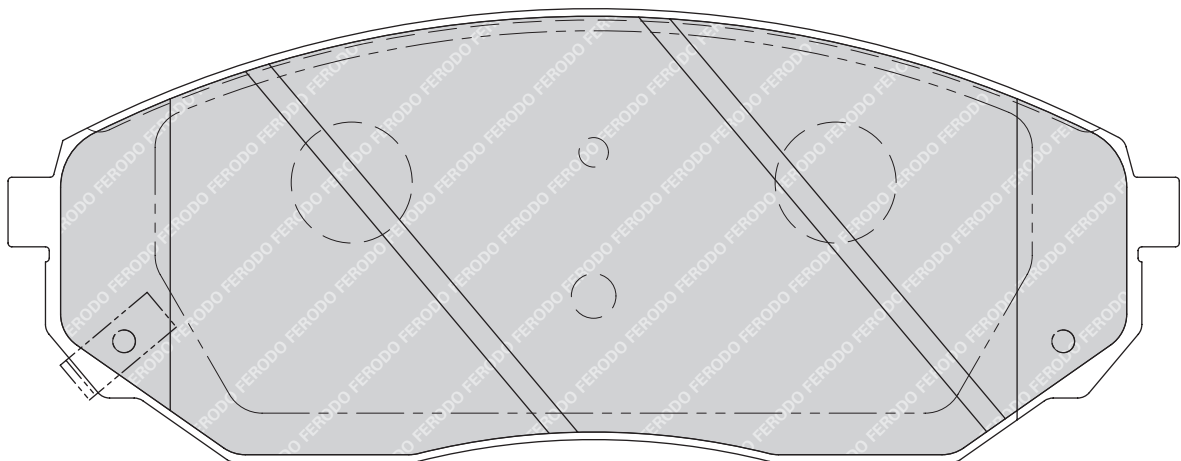
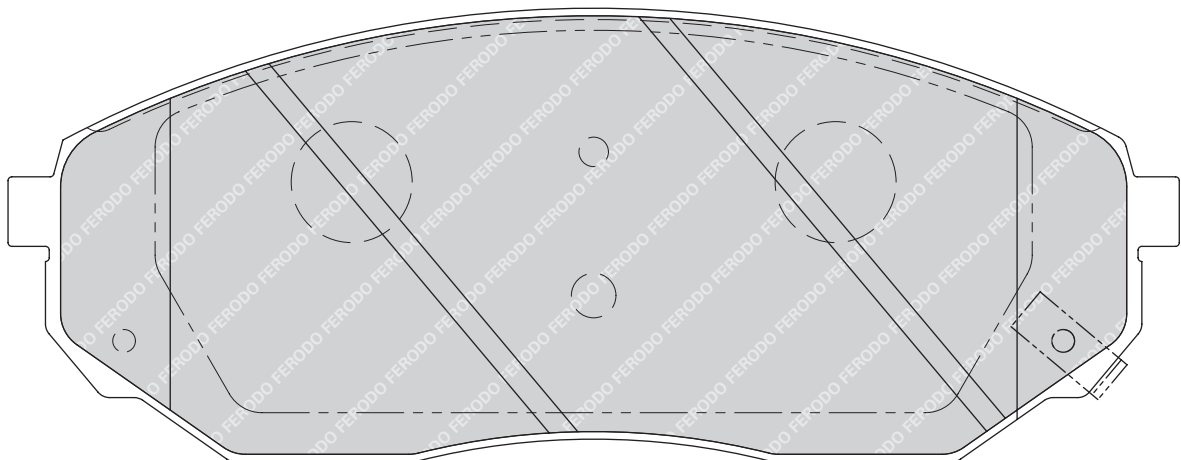
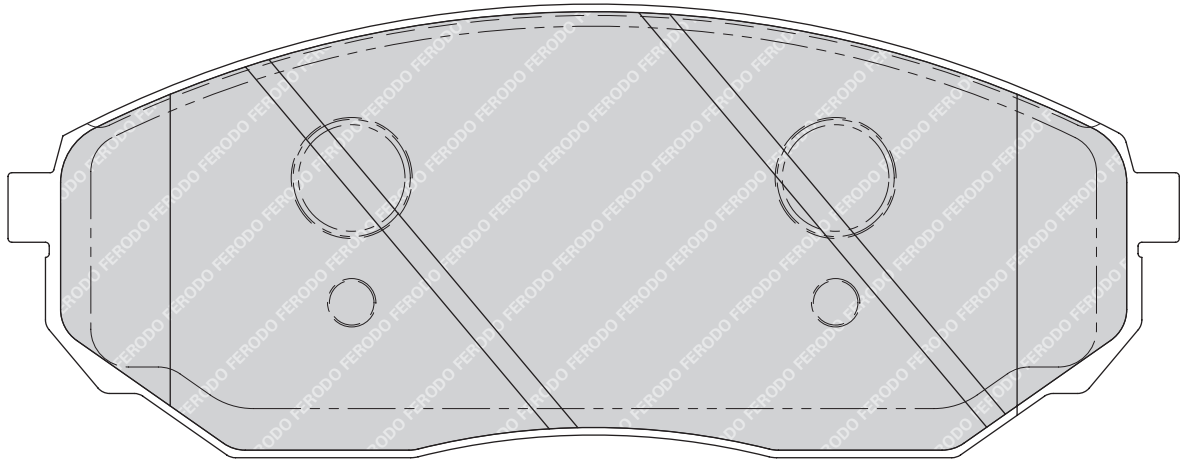
KIA, HYUNDAI



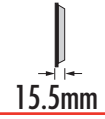
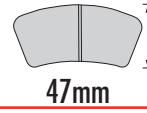
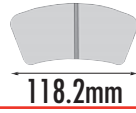
FDB1735



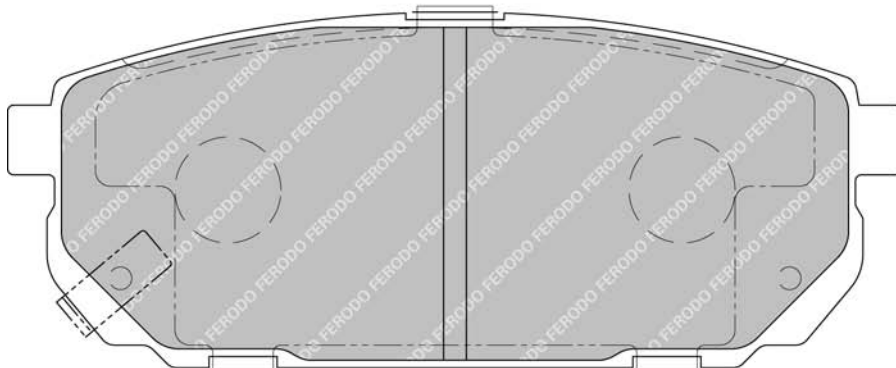
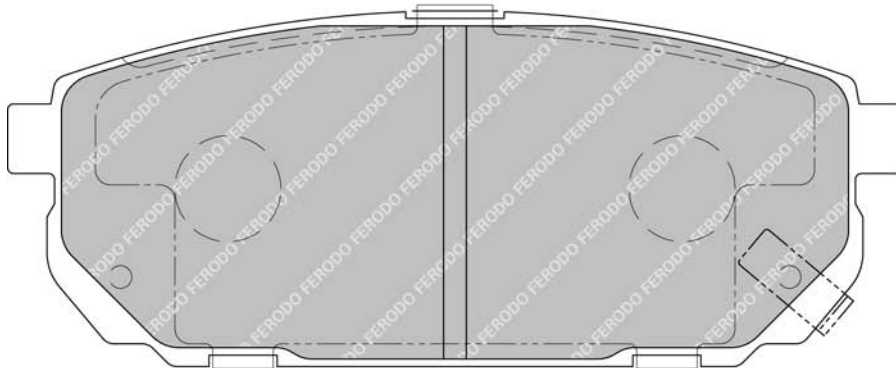
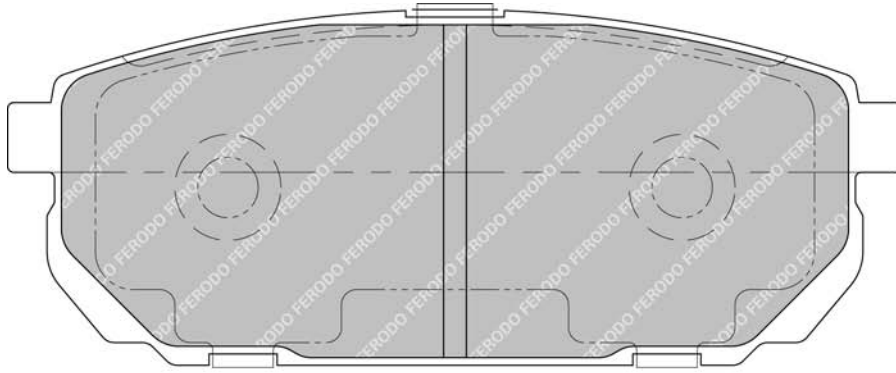
KIA



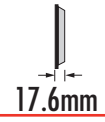
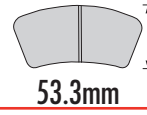
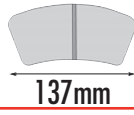
FDB1736



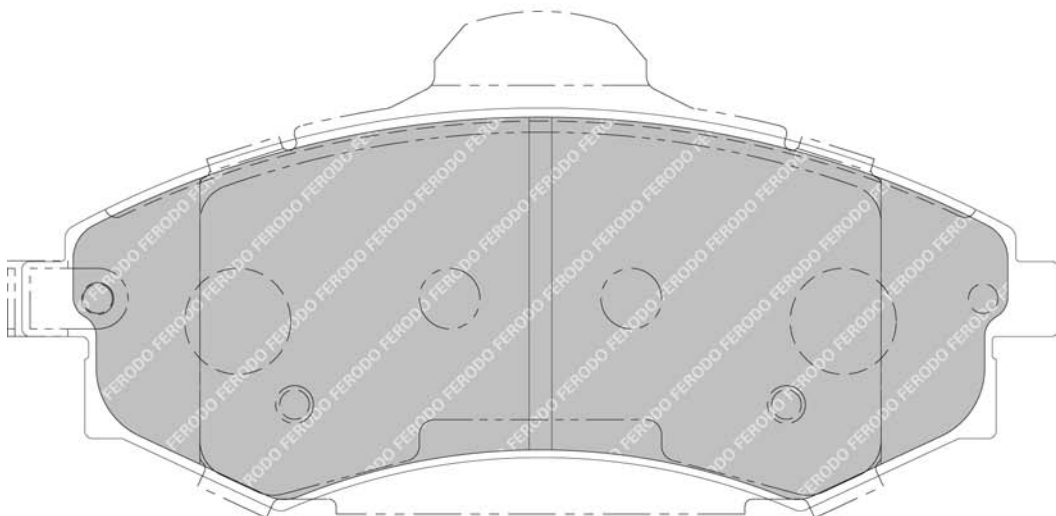
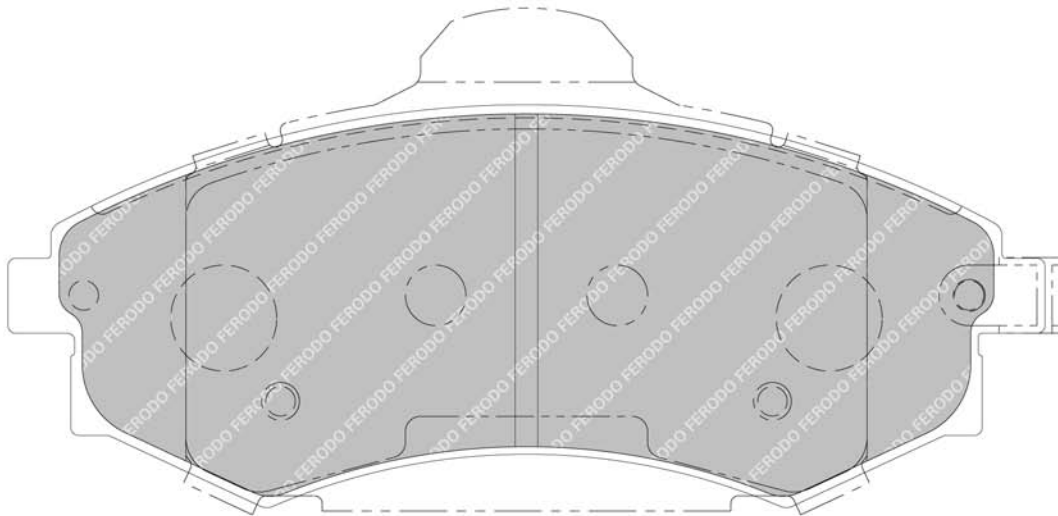
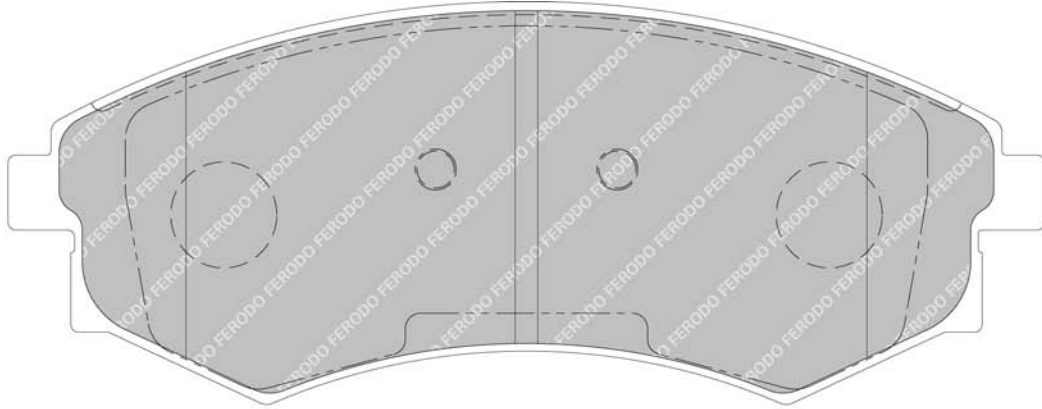
KIA



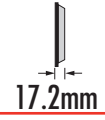
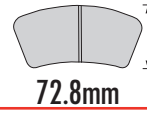
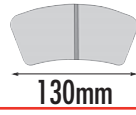
FDB1737



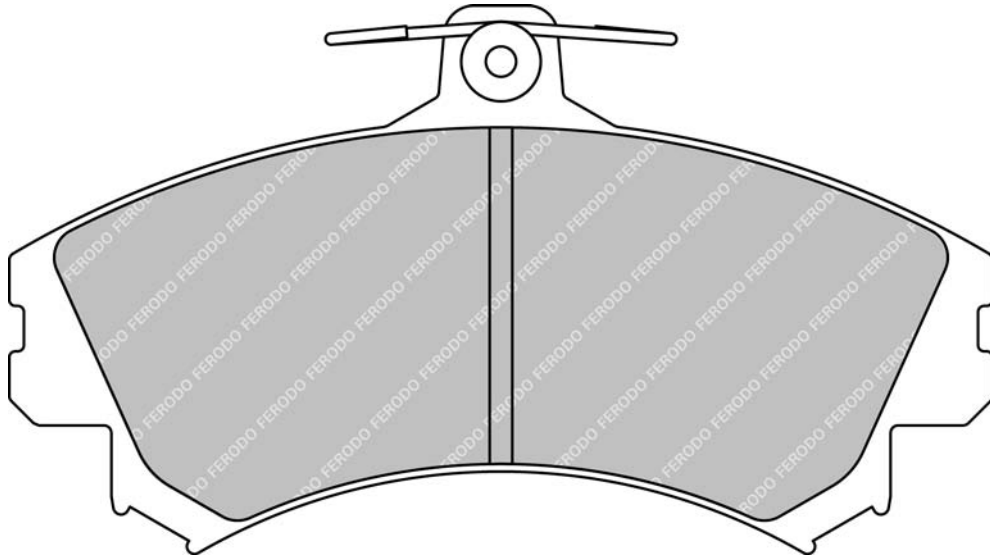
HYUNDAI



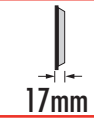
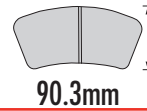
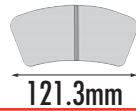
FDB1738



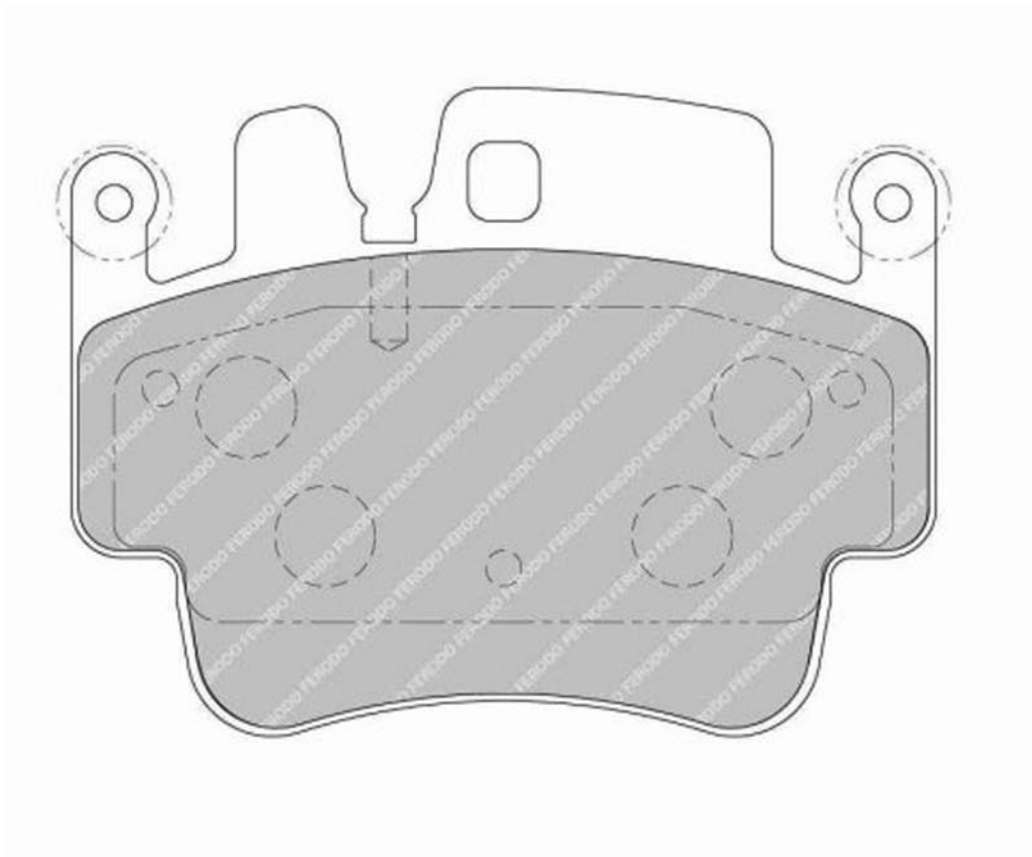
SMART



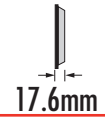
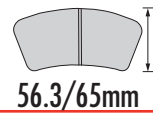
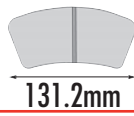
FDB1742



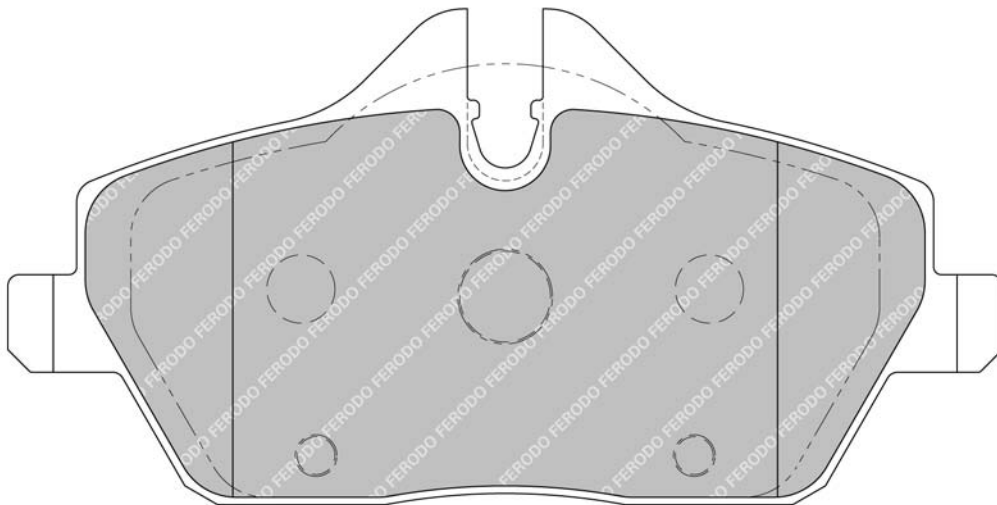
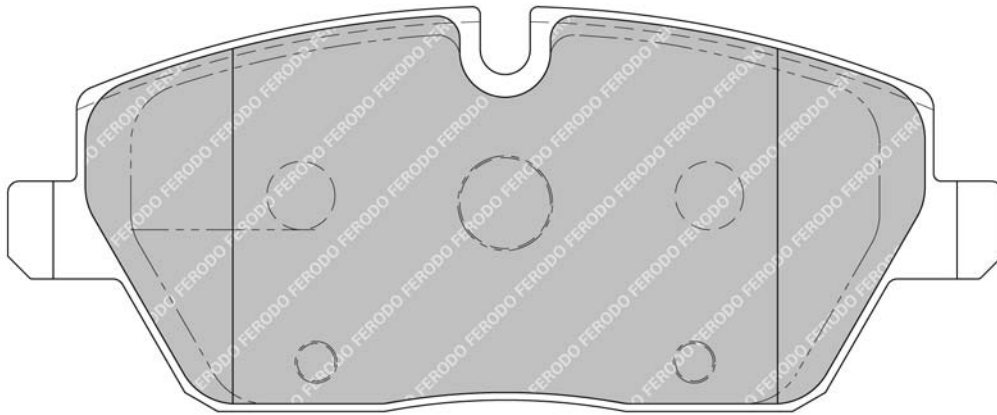
PORSCHE



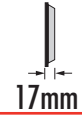
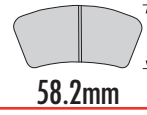
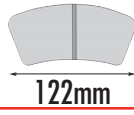
FDB1747



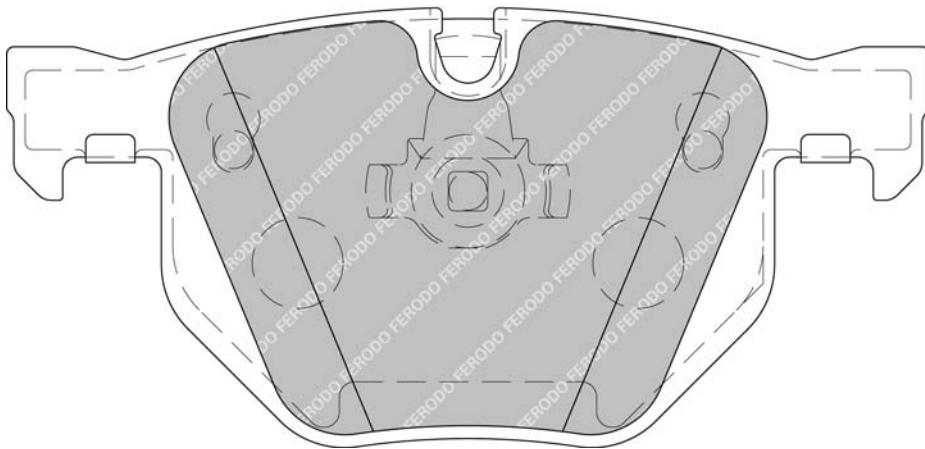
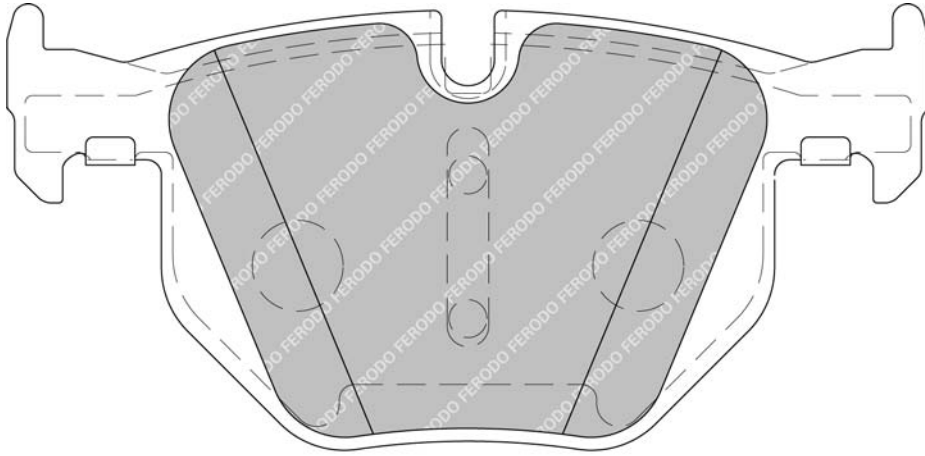
BMW



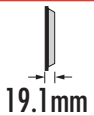
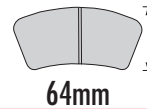
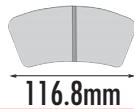
FDB1748



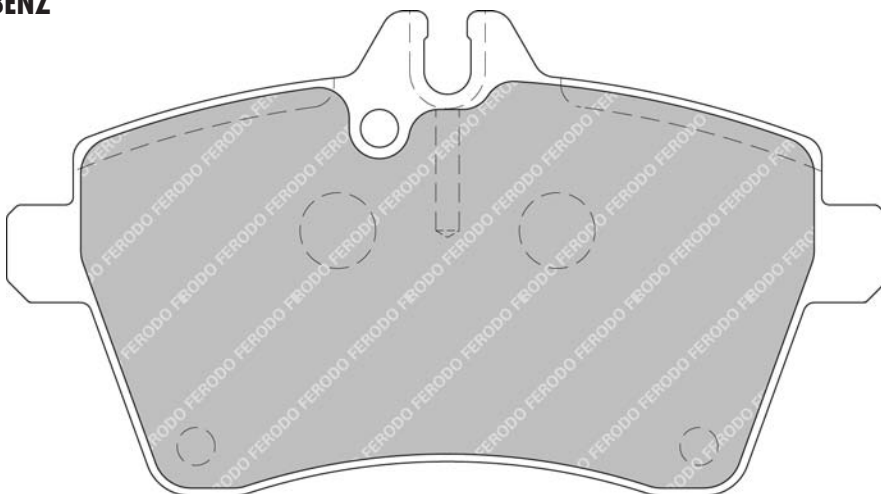
BMW



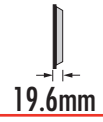
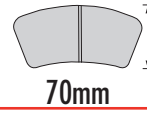
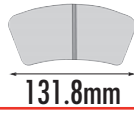
FDB1749



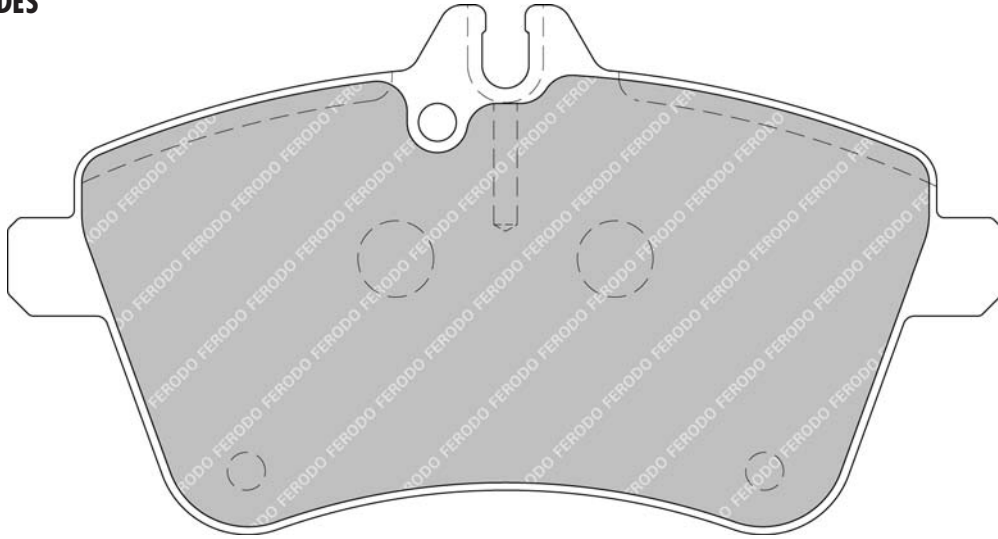
MERCEDES BENZ



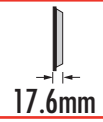
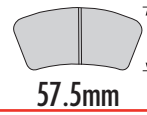
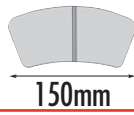
FDB1750



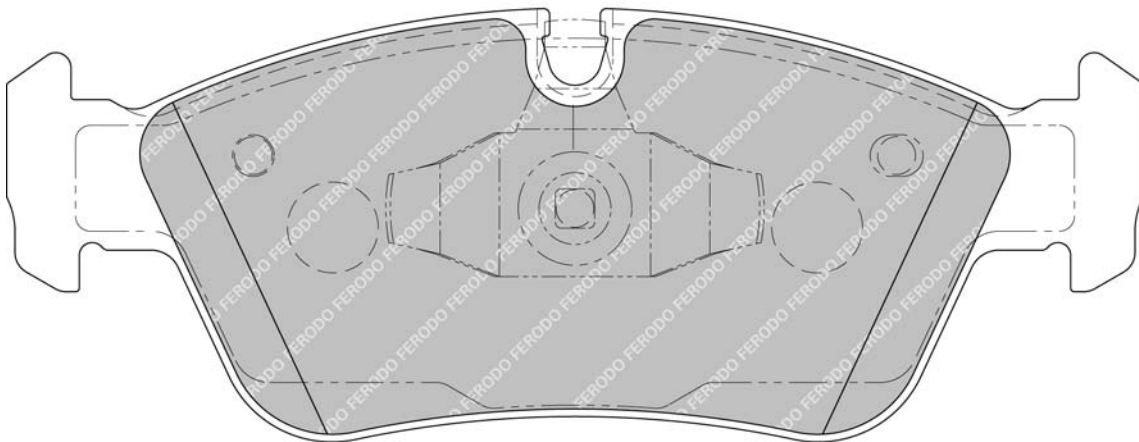
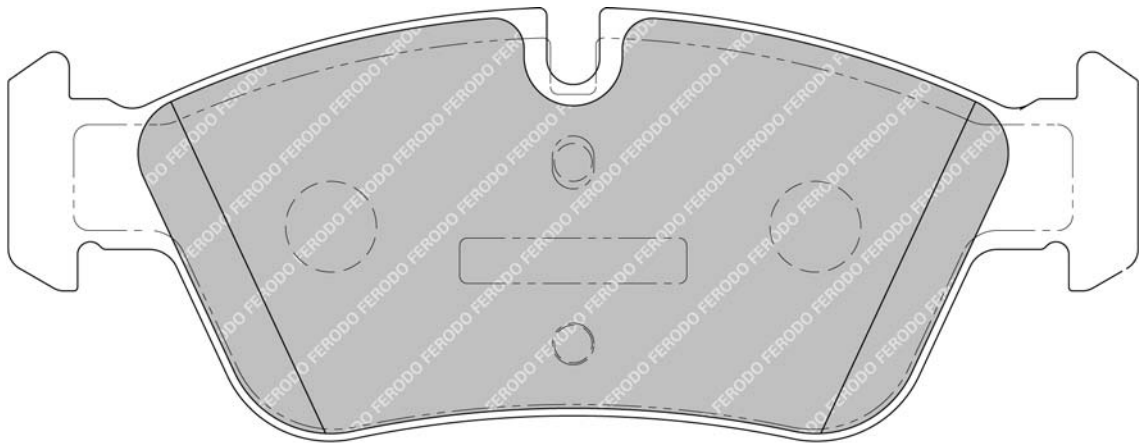
MERCEDES



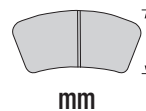
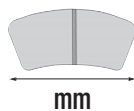
FDB1751



BMW

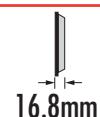
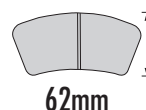
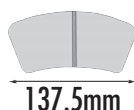


FDB1756

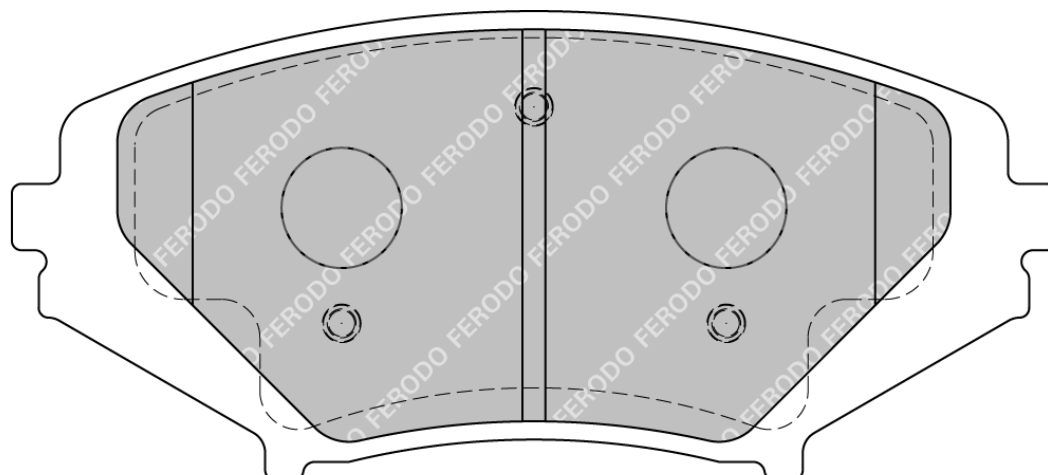


NO ILLUSTRATION AVAILABLE

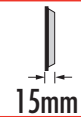
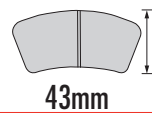
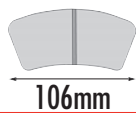
FDB1758



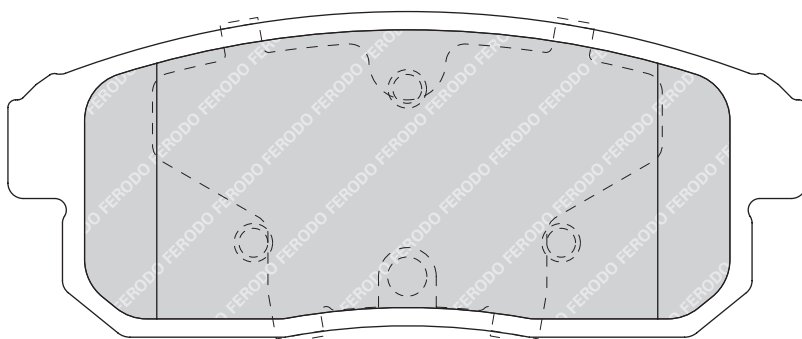
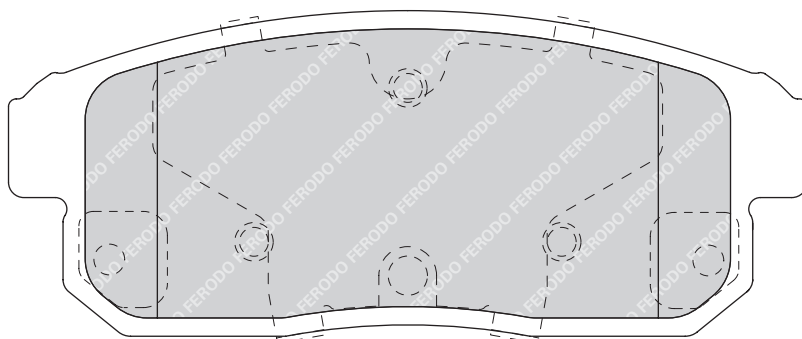
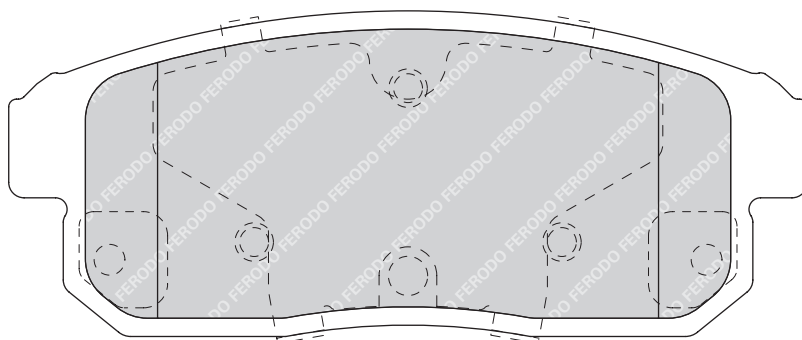
MAZDA



FDB1759



MAZDA



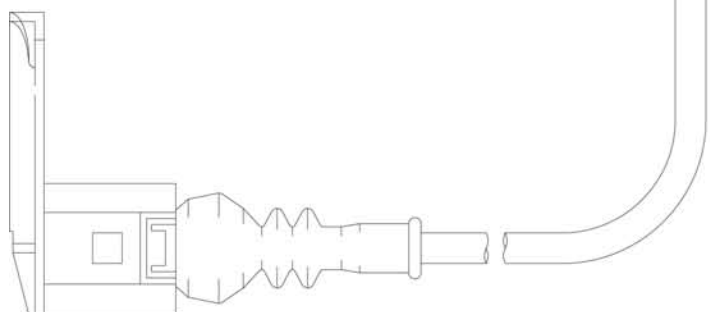
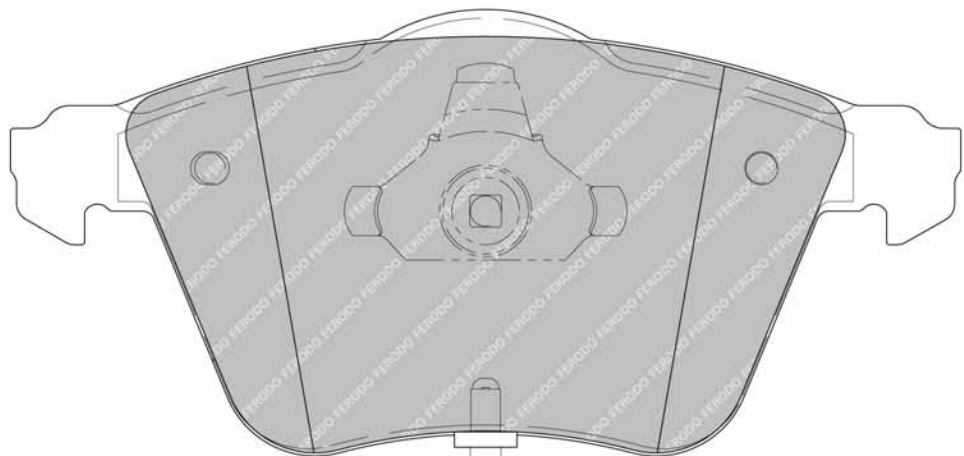
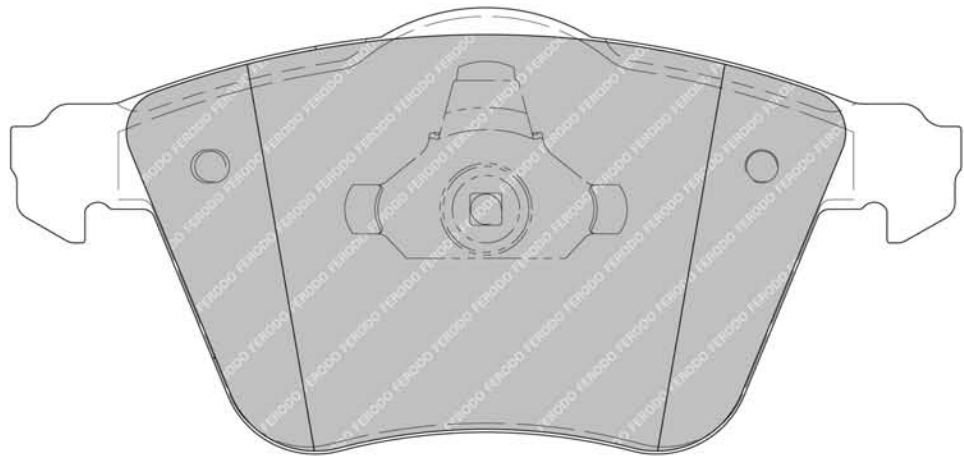
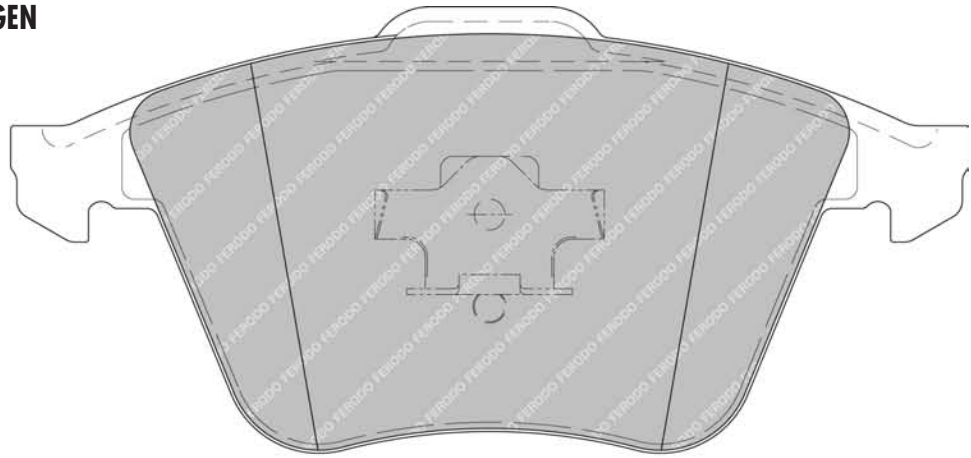
FDB1765

155.1/156.3mm

72.9mm

20.4mm

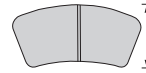
AUDI, VOLKSWAGEN



FDB1766



123.2mm

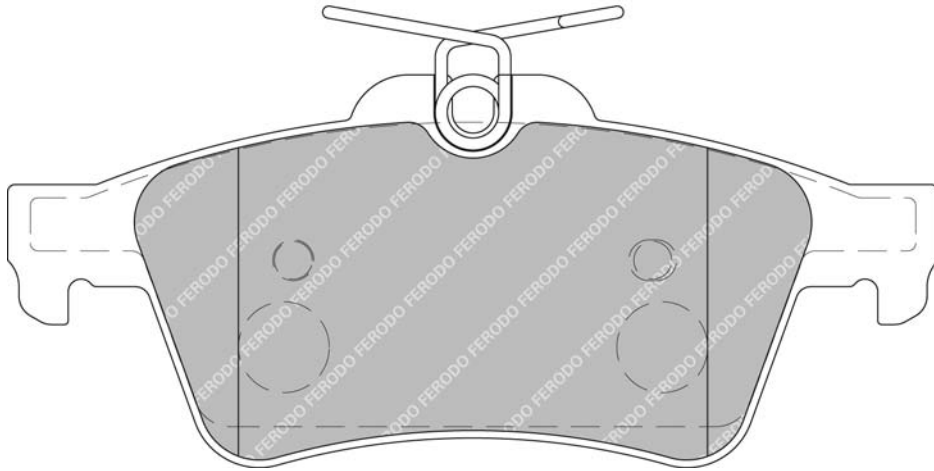
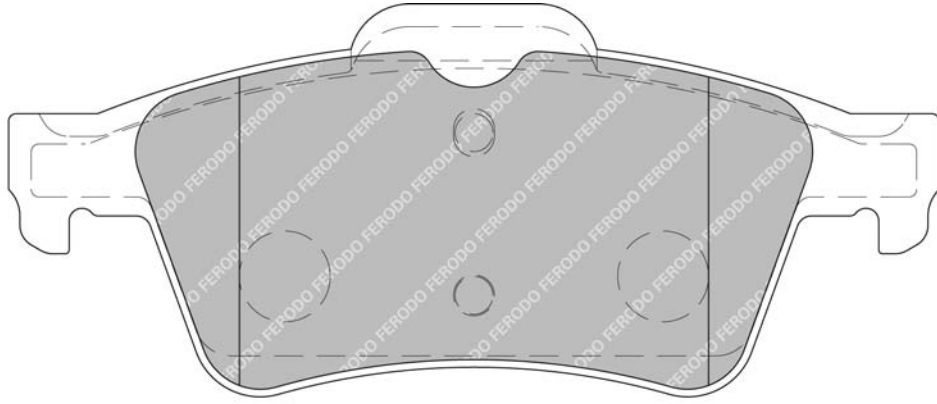


52mm

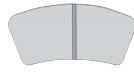


16.3mm

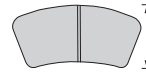
SAAB



FDB1770



87mm

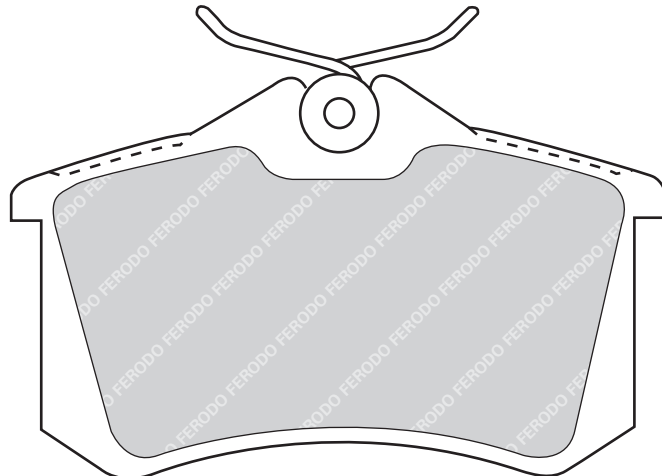


53mm



16.1mm

RENAULT



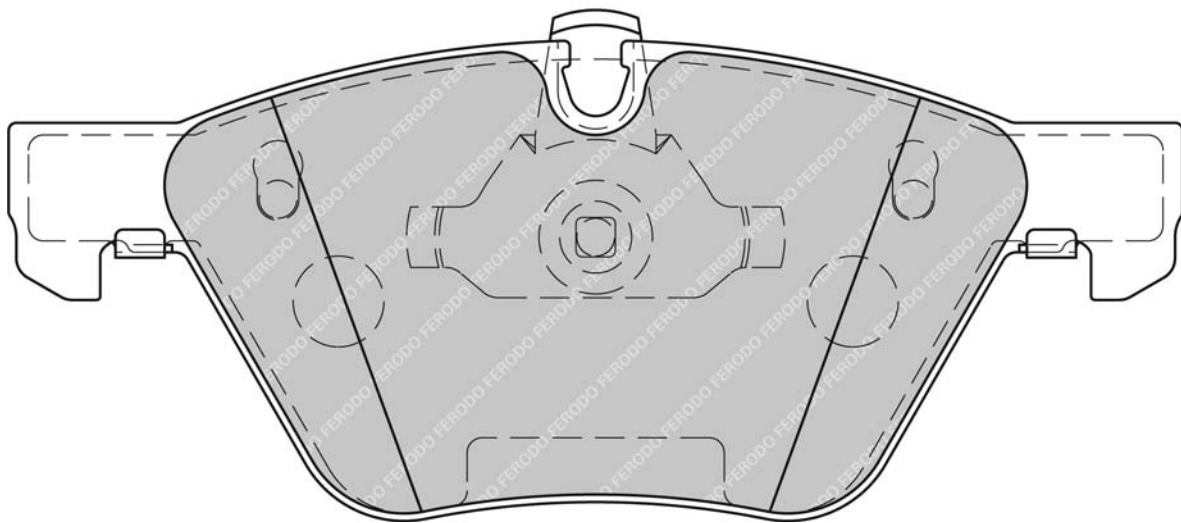
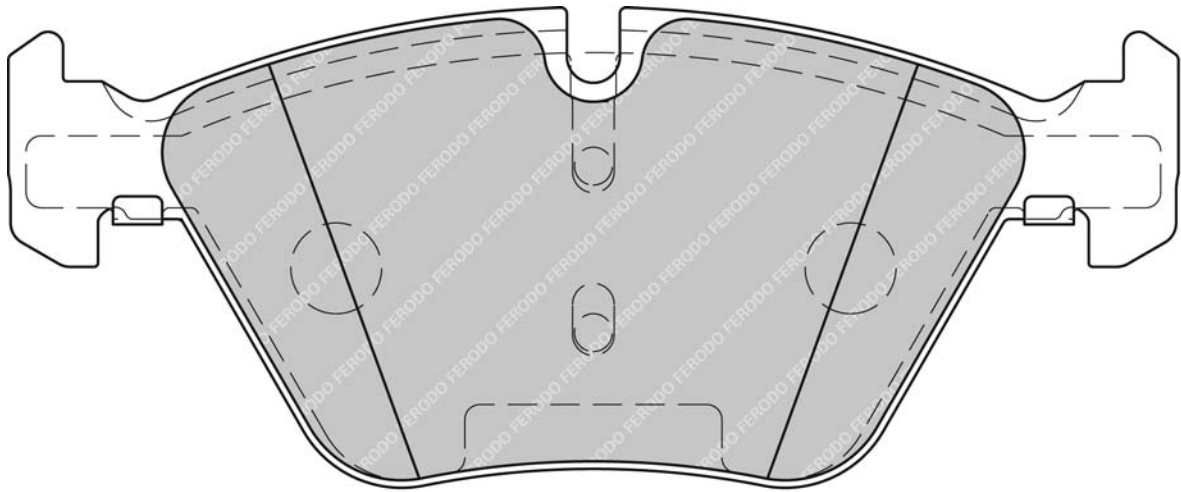
FDB1773

154.7/155.2mm

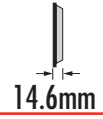
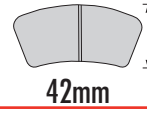
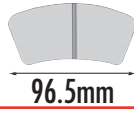
63.5mm

19.8mm

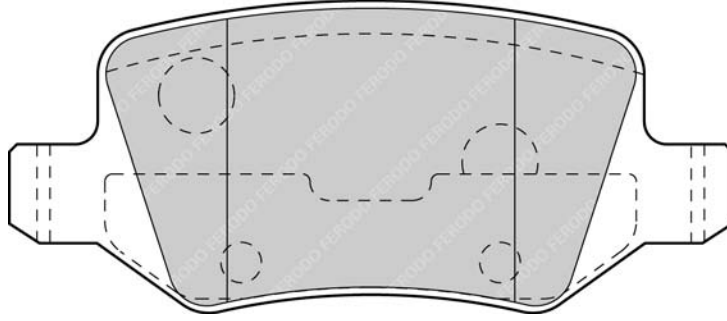
BMW



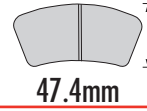
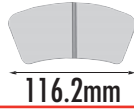
FDB1782



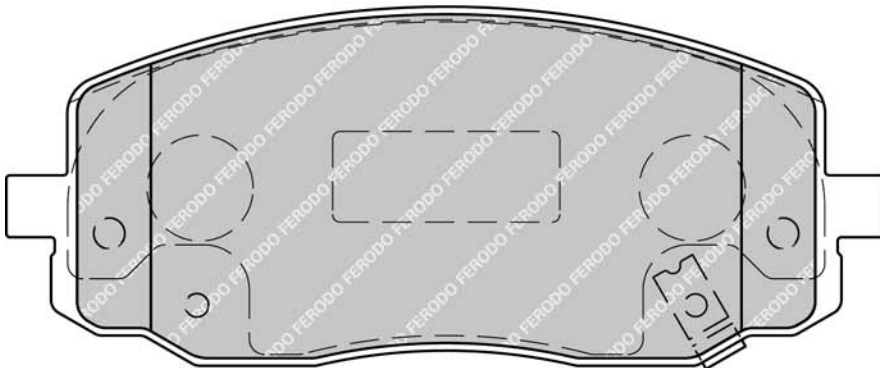
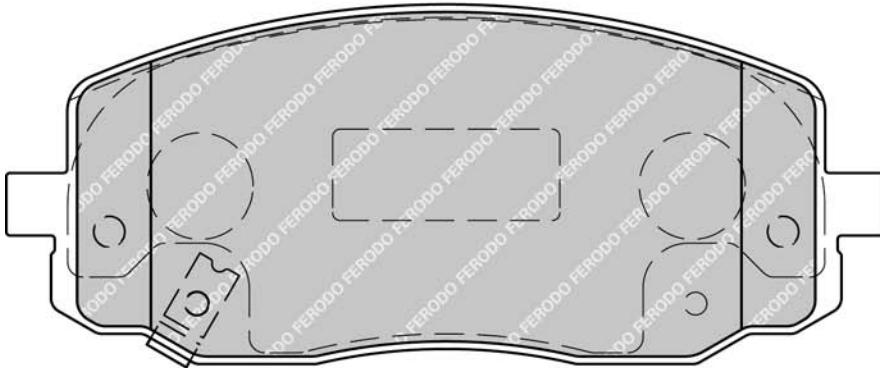
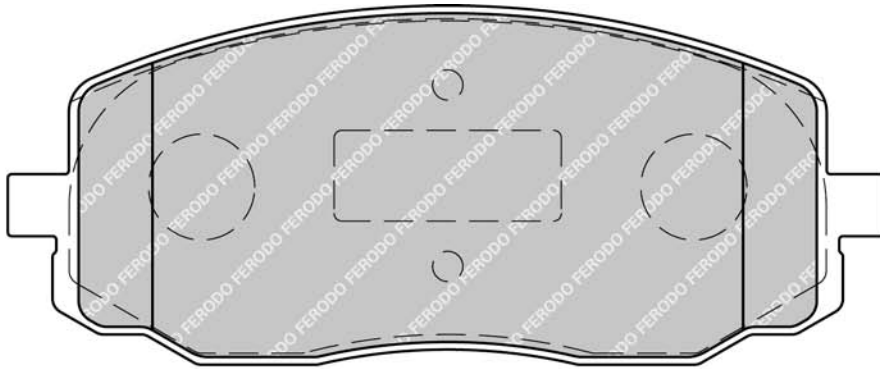
MERCEDES BENZ



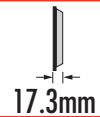
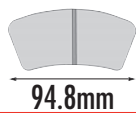
FDB1783



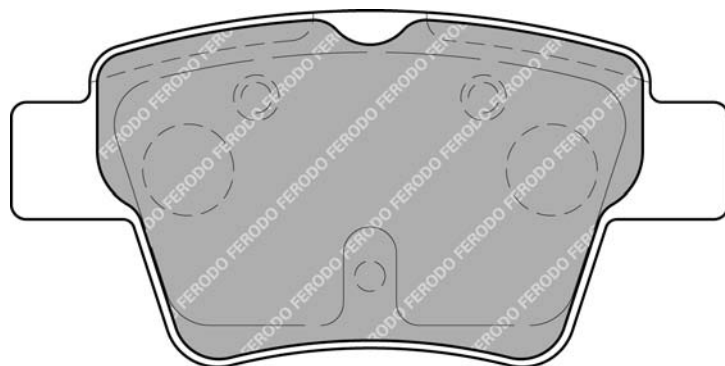
KIA



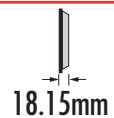
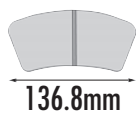
FDB1784



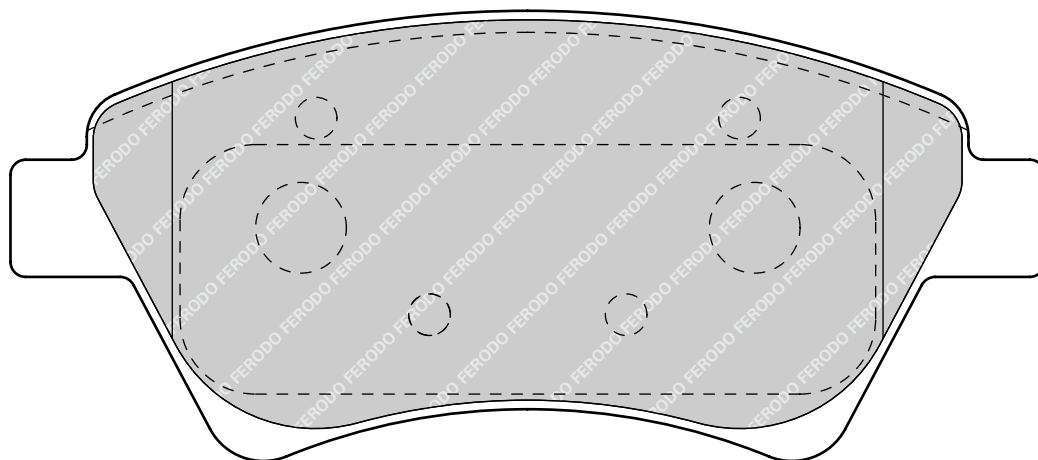
CITROEN, PEUGEOT



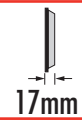
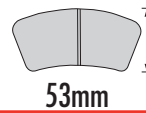
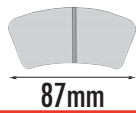
FDB1785



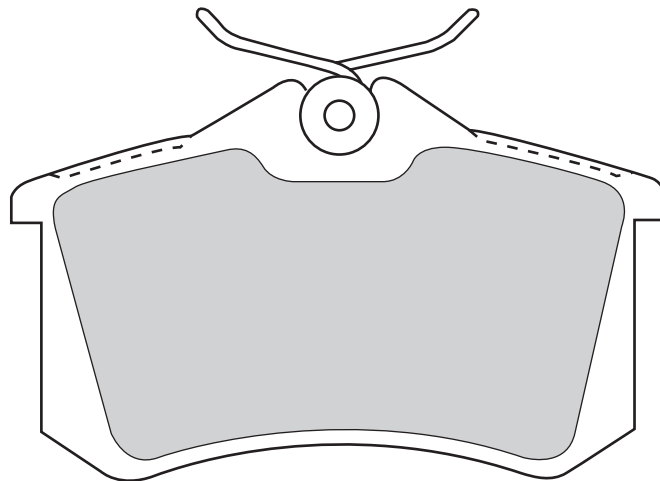
RENAULT



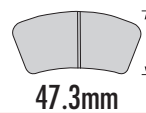
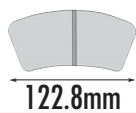
FDB1788



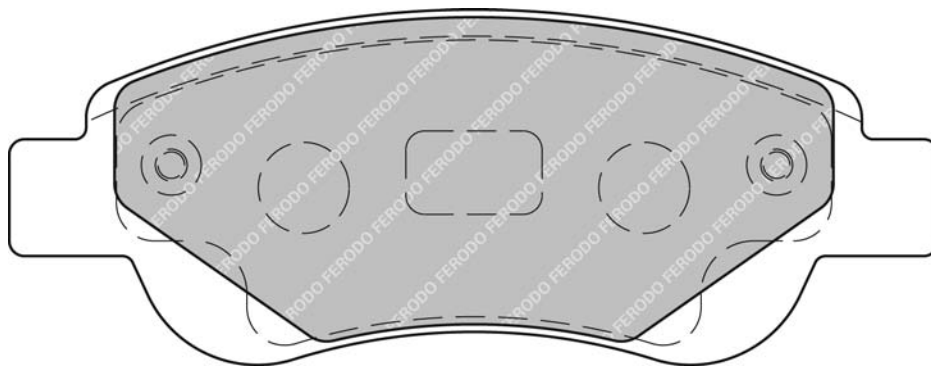
AUDI, CITROEN, PEUGEOT, VOLKSWAGEN



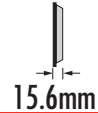
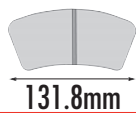
FDB1790



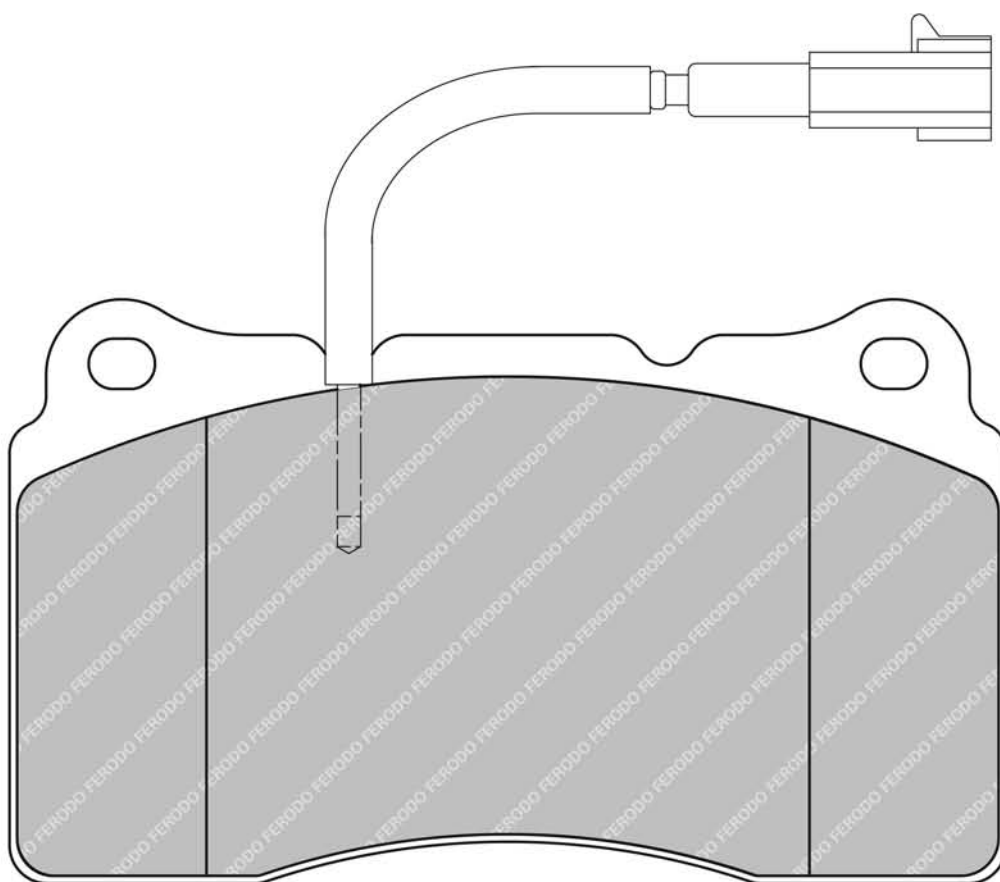
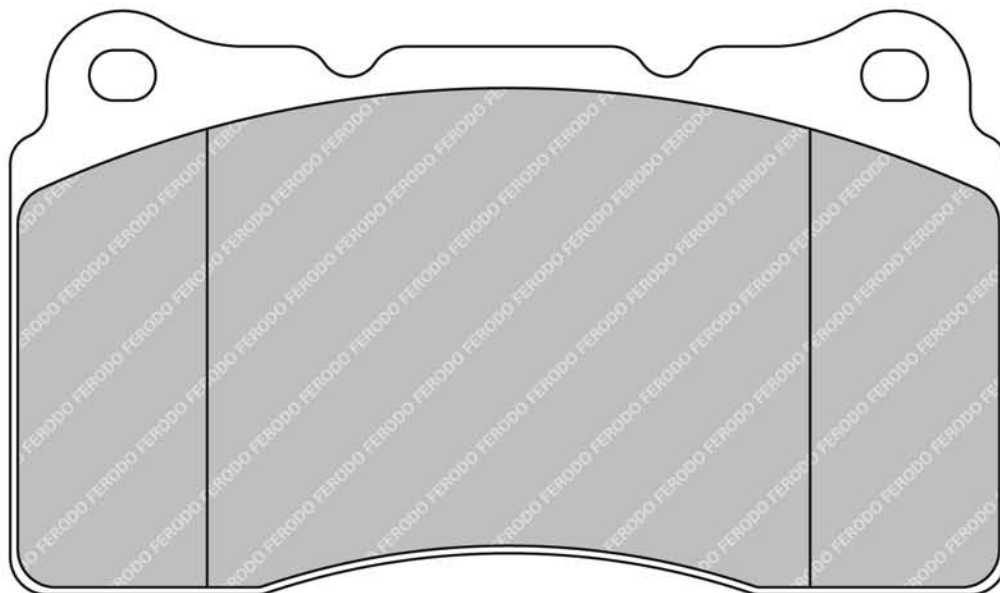
CITROEN, PEUGEOT



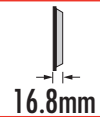
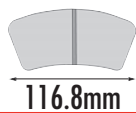
FDB1794



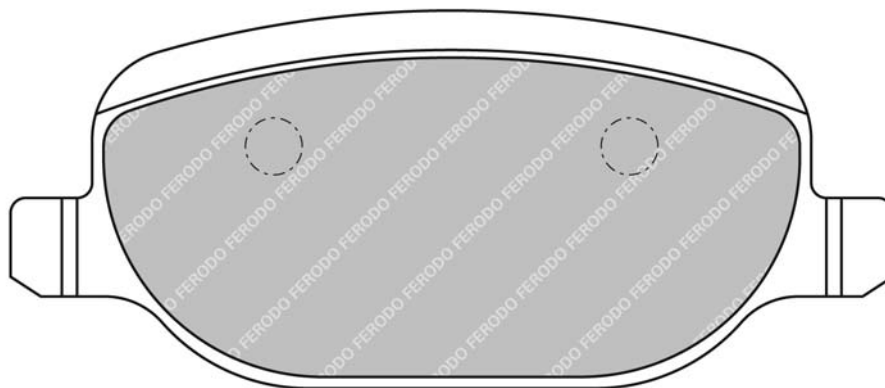
ALFA ROMEO



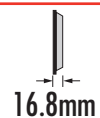
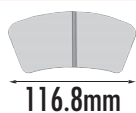
FDB1795



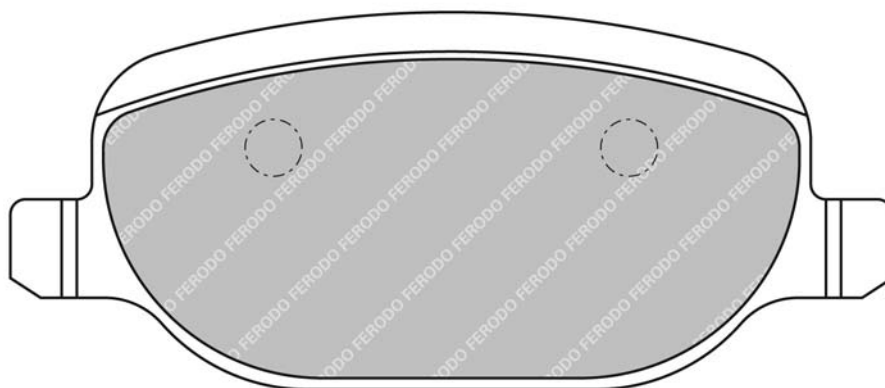
ALFA ROMEO



FDB1796



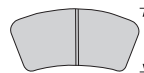
ALFA ROMEO



FDB1797



105.8mm

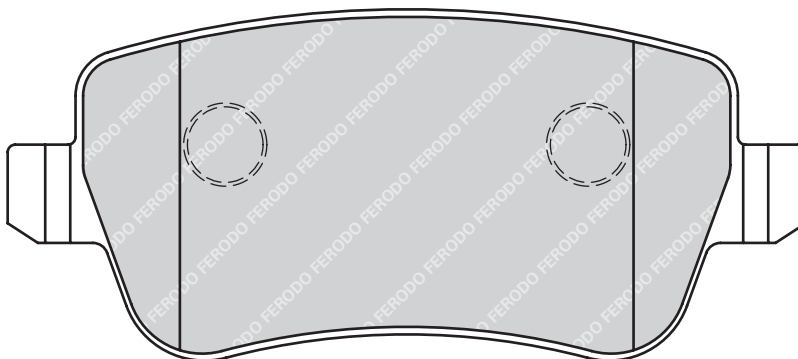


46.6mm



16.8mm

FIAT



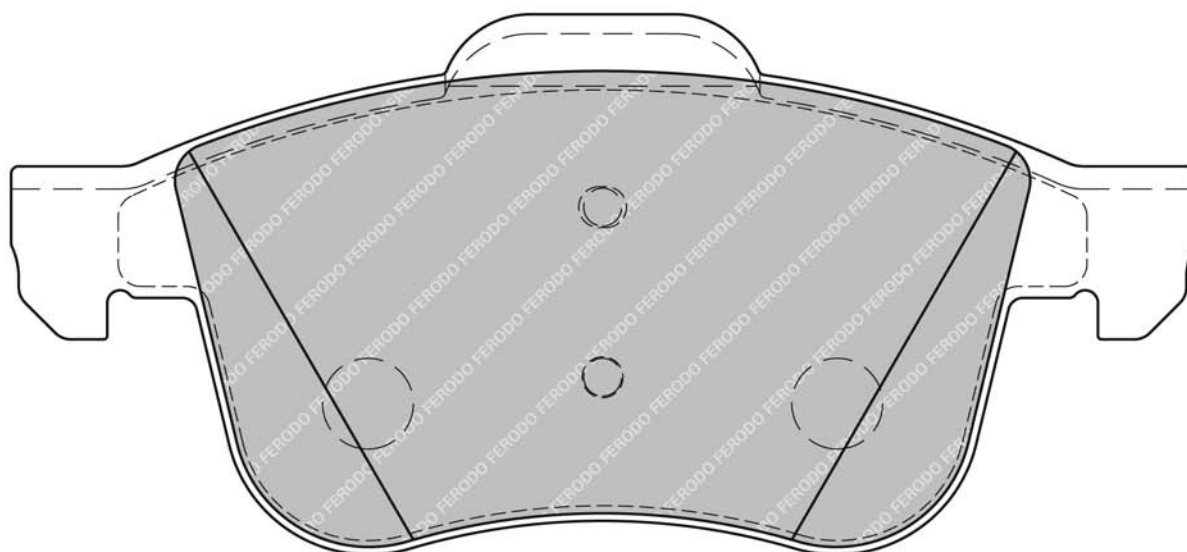
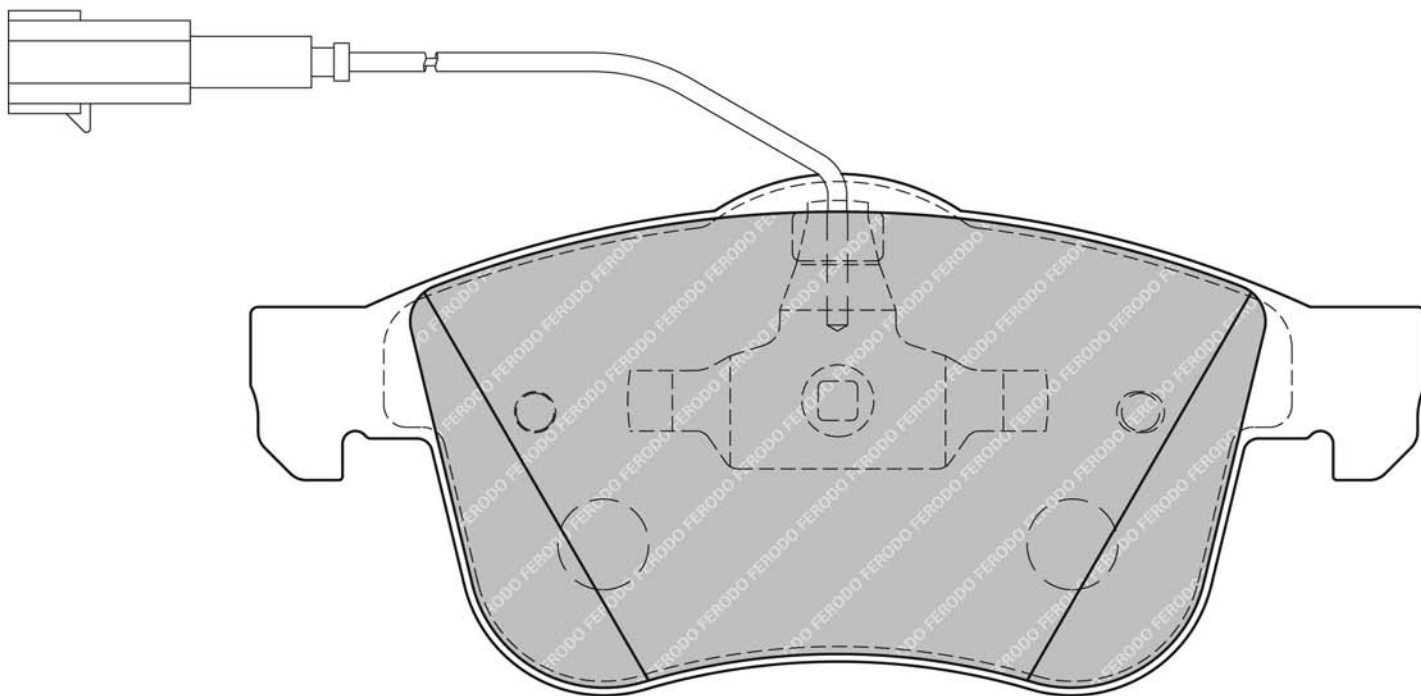
FDB1805

155.2/156.5mm

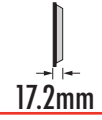
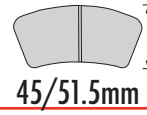
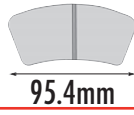
69.2/71.6mm

19.9/20.2mm

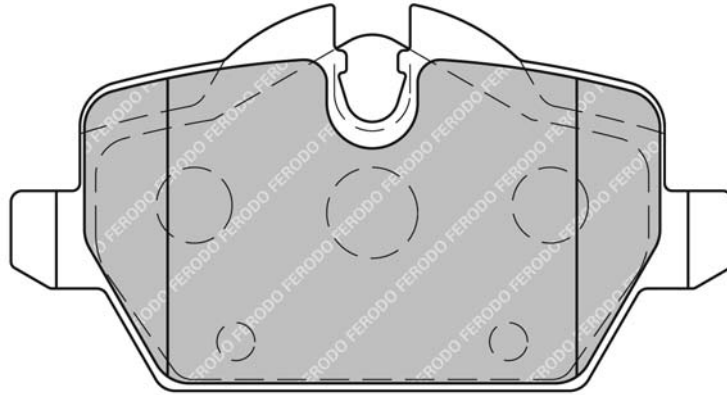
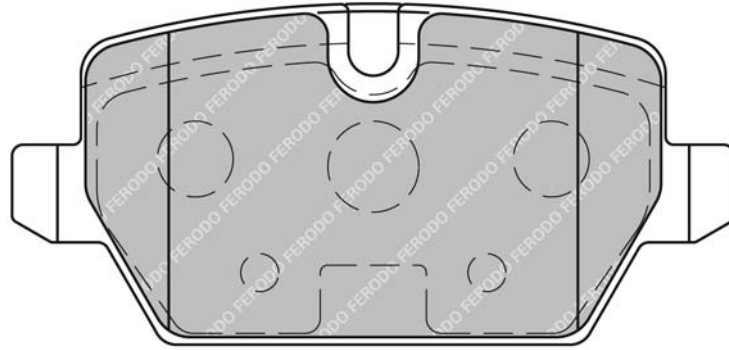
ALFA ROMEO



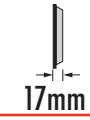
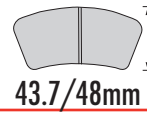
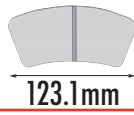
FDB1806



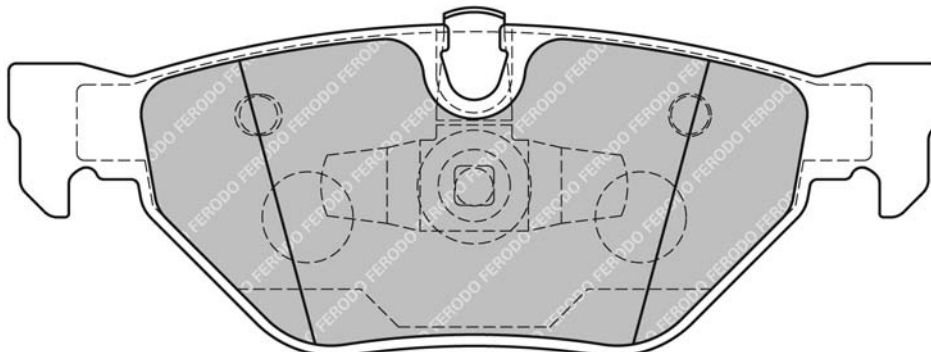
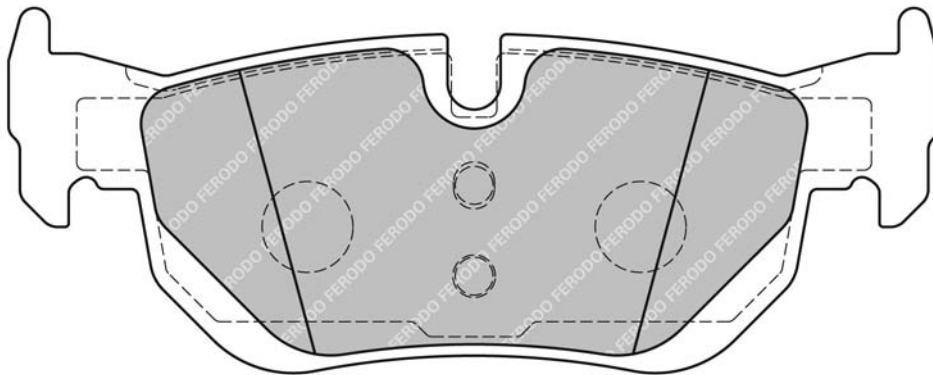
BMW



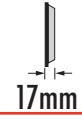
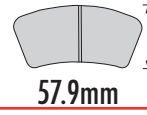
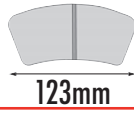
FDB1807



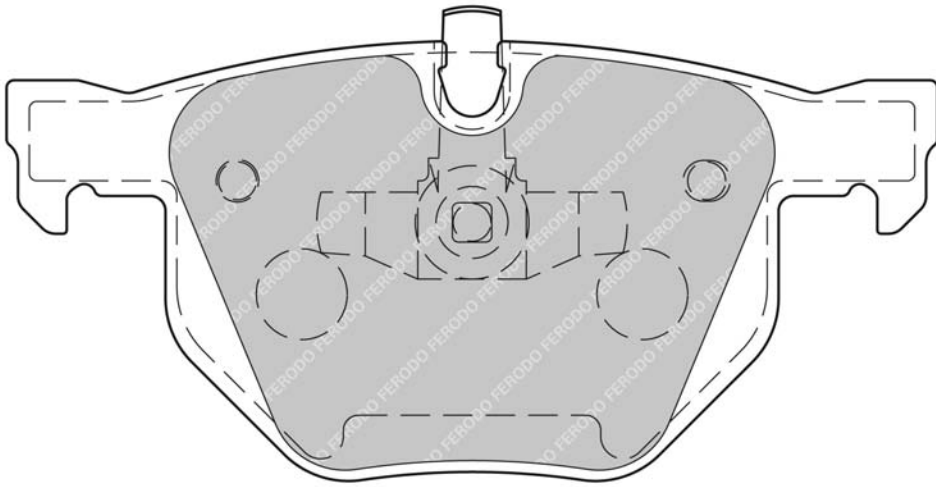
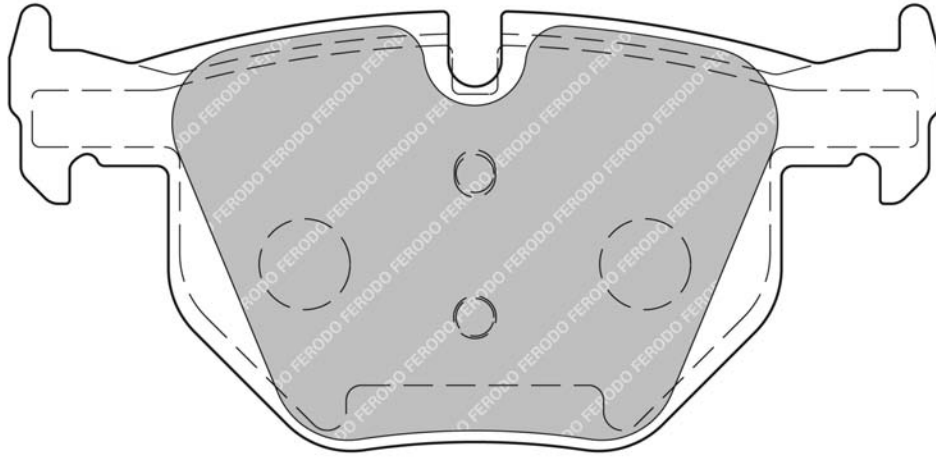
BMW



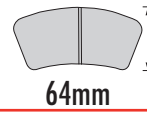
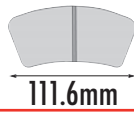
FDB1808



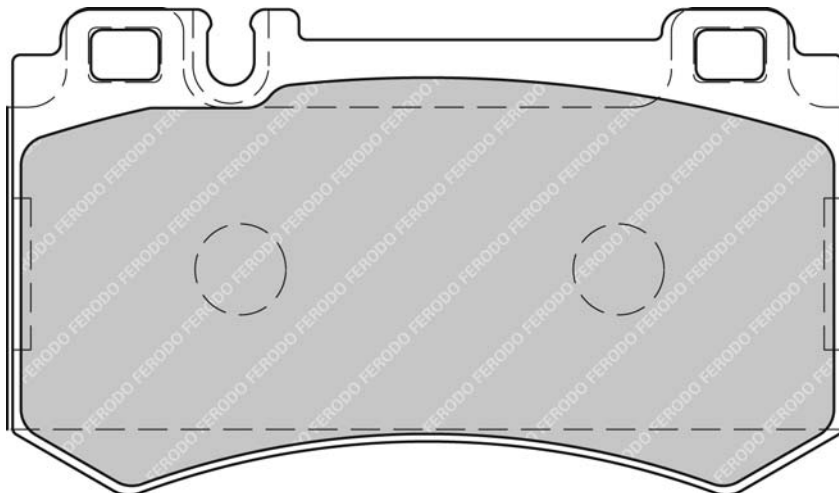
BMW



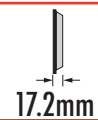
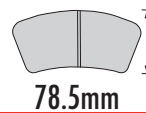
FDB1809



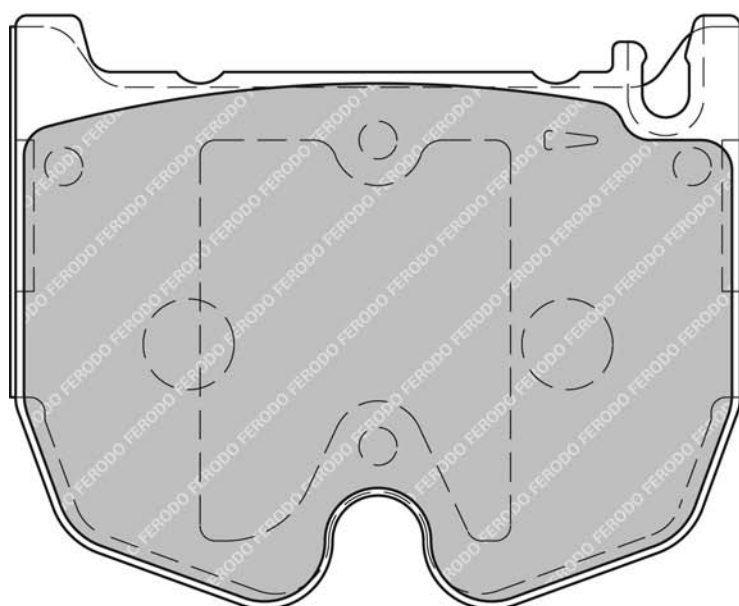
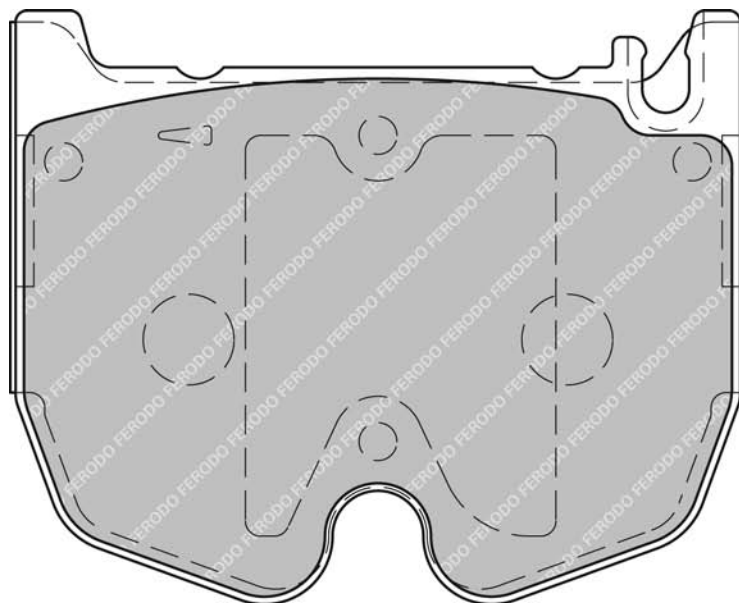
MERCEDES BENZ



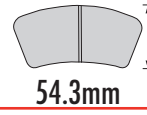
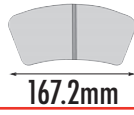
FDB1810



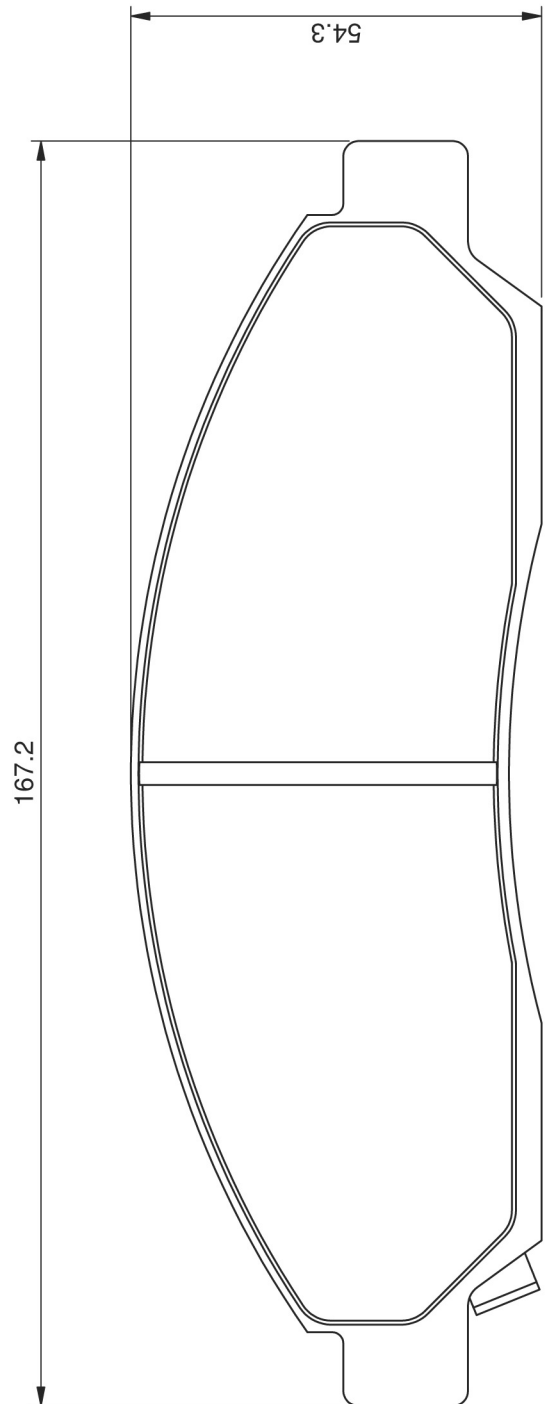
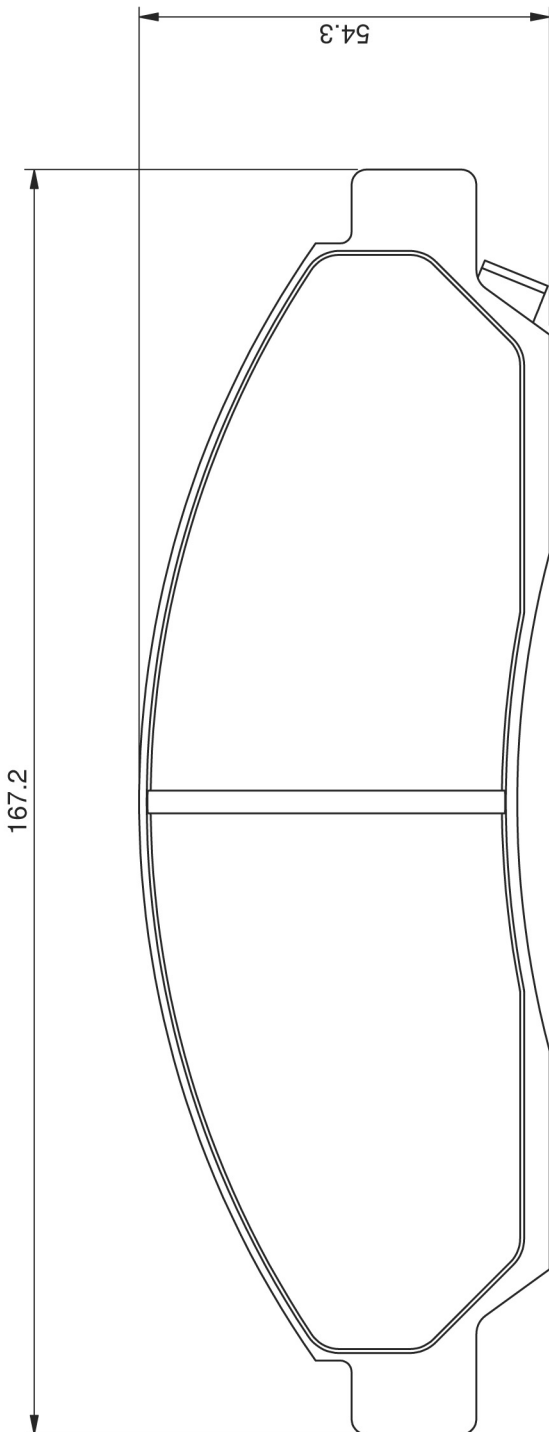
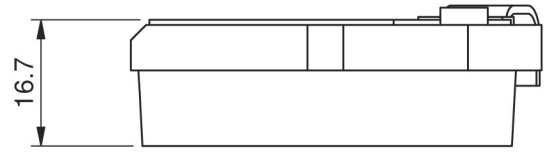
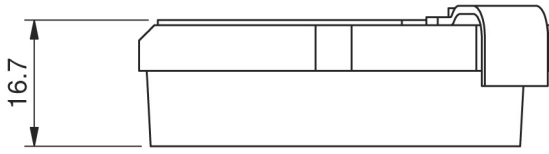
MERCEDES BENZ



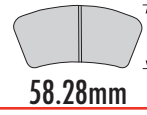
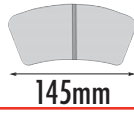
FDB1816



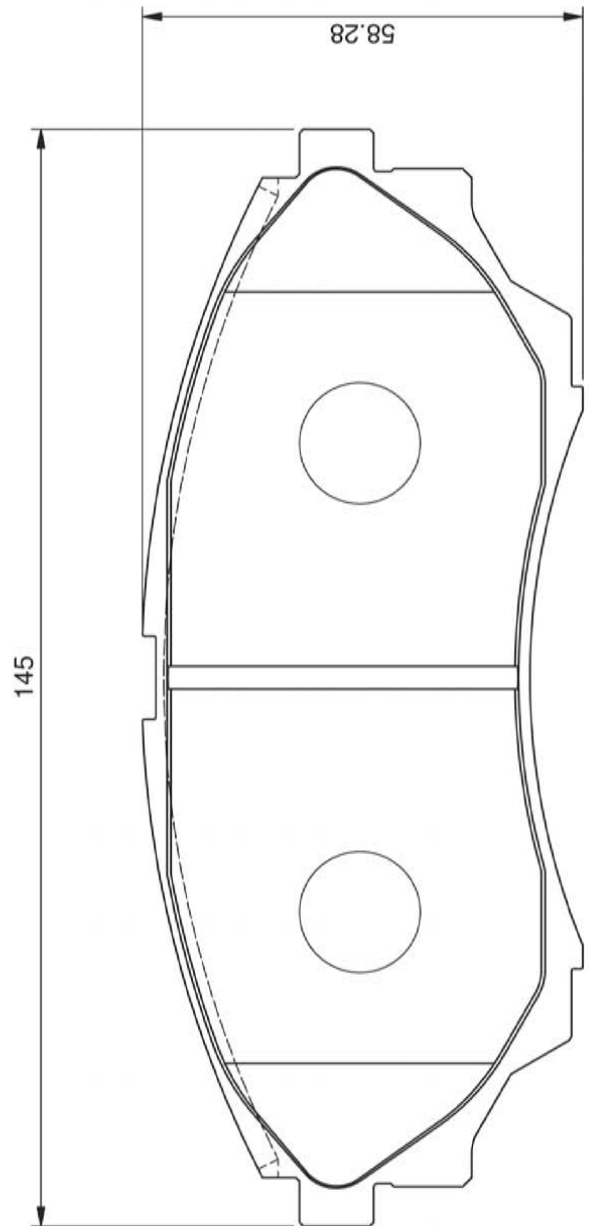
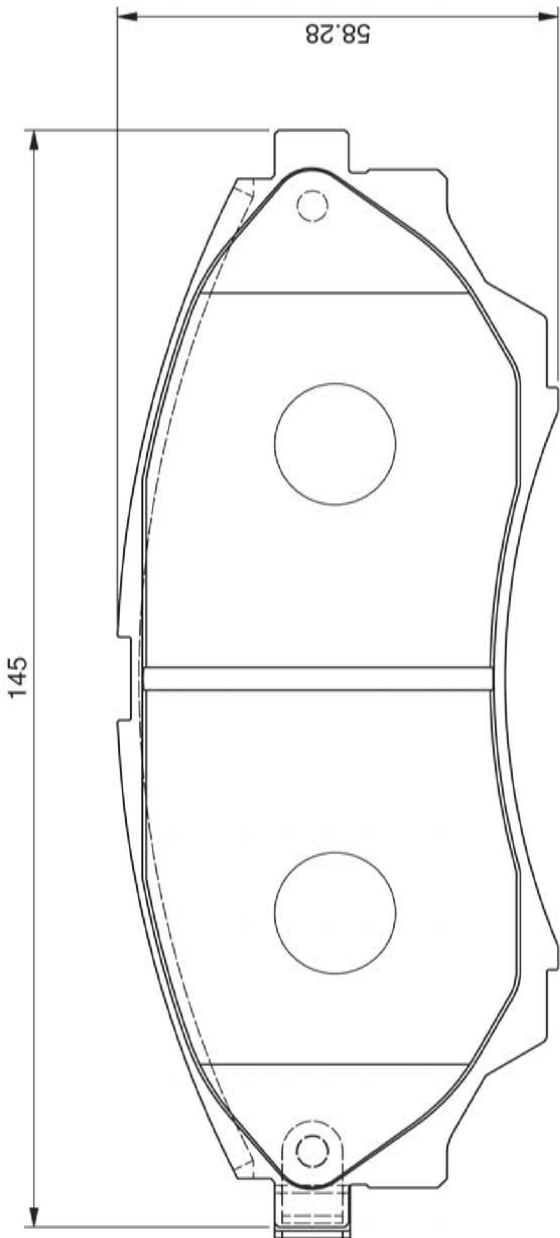
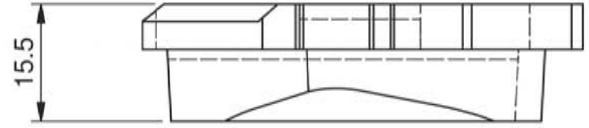
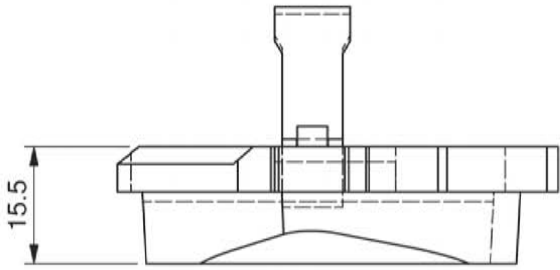
ISUZU



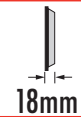
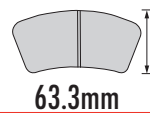
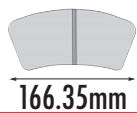
FDB1817



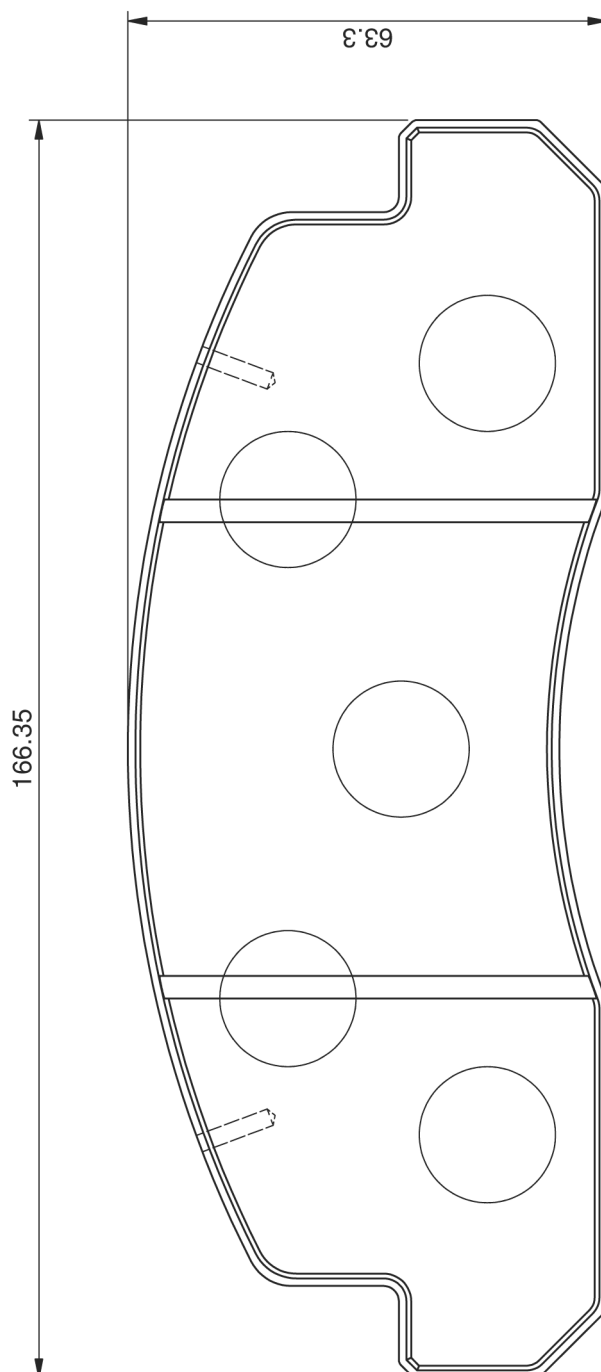
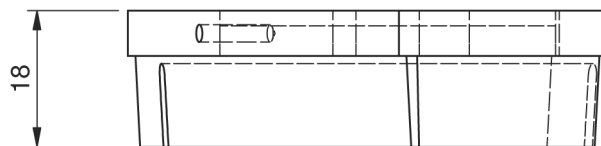
FORD, MAZDA



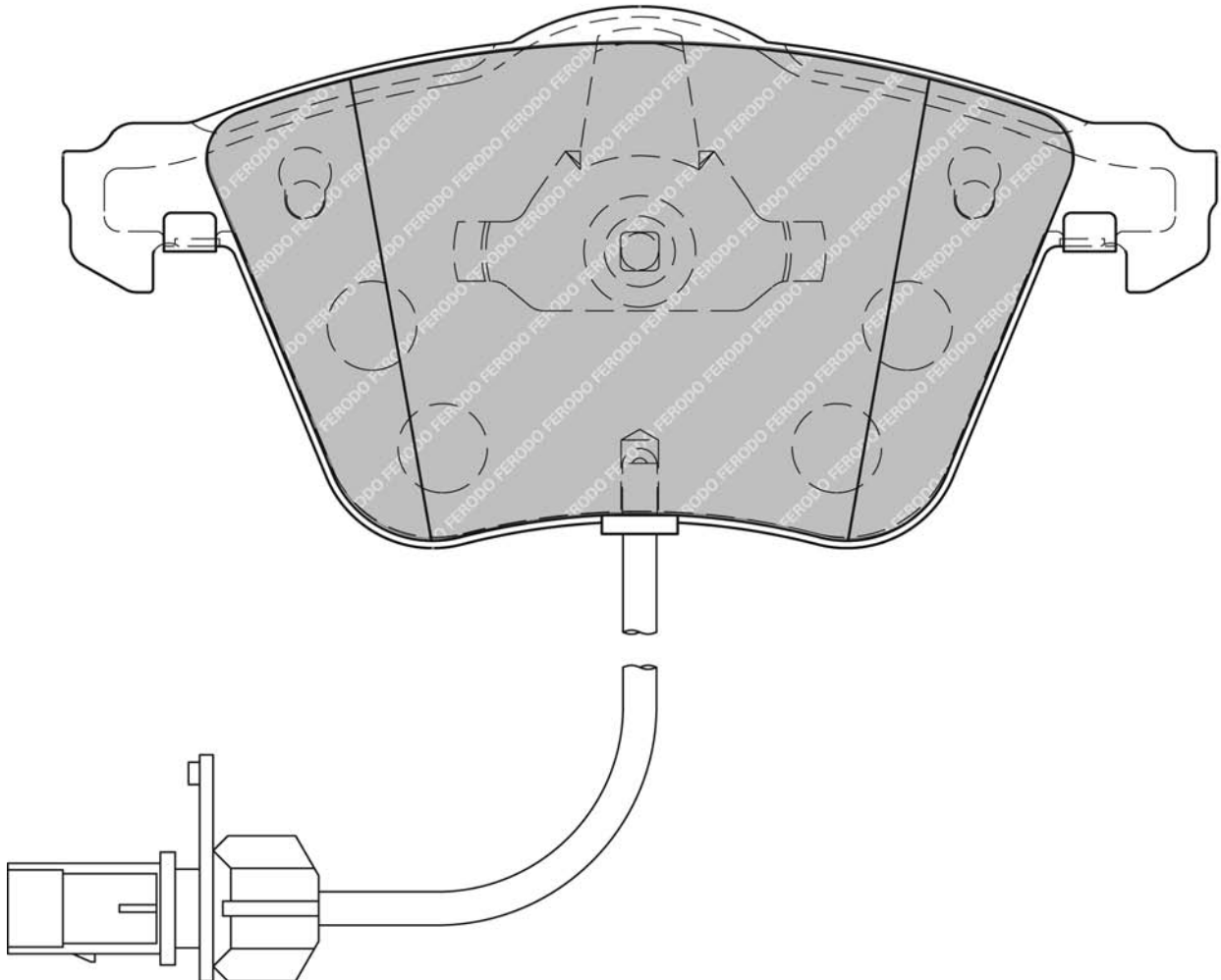
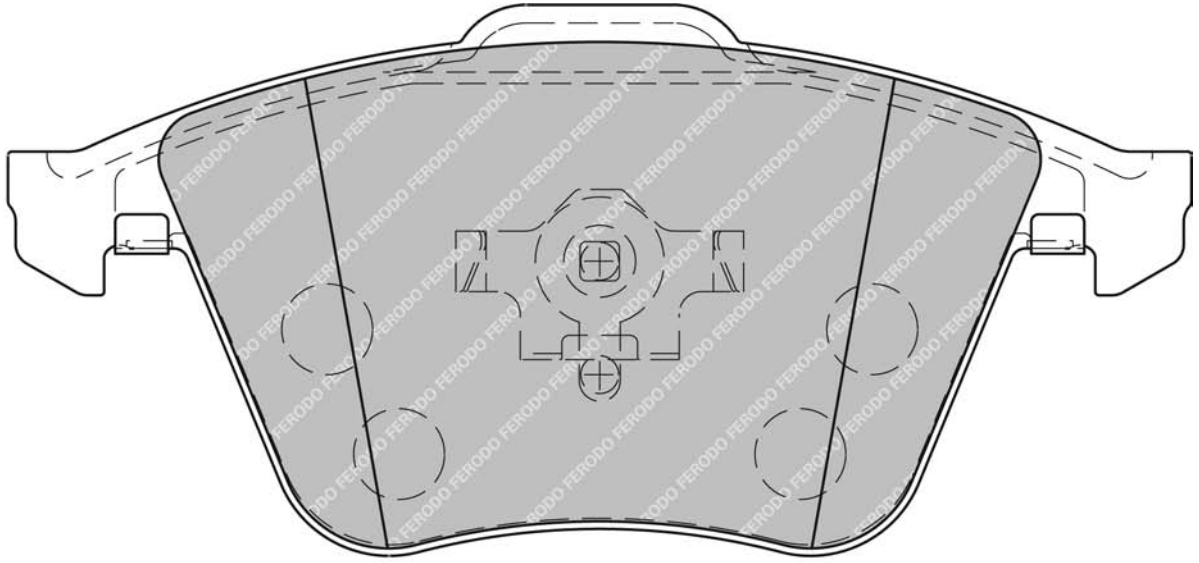
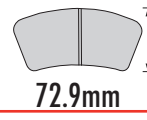
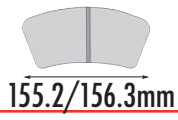
FDB1818



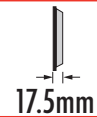
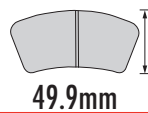
TOYOTA



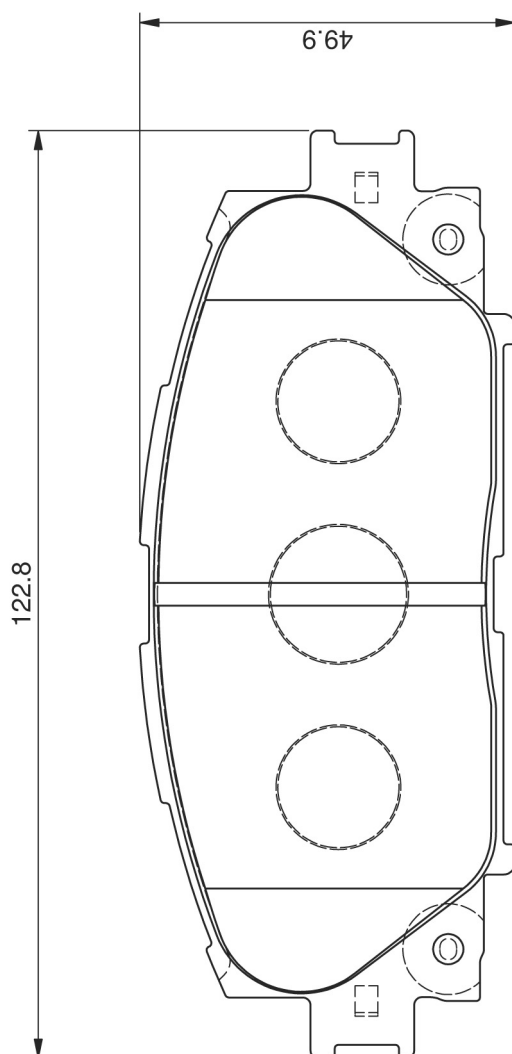
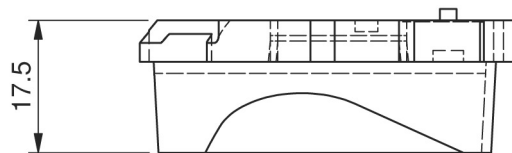
FDB1827



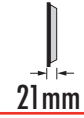
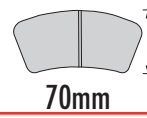
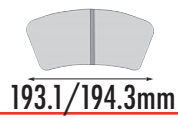
FDB1829



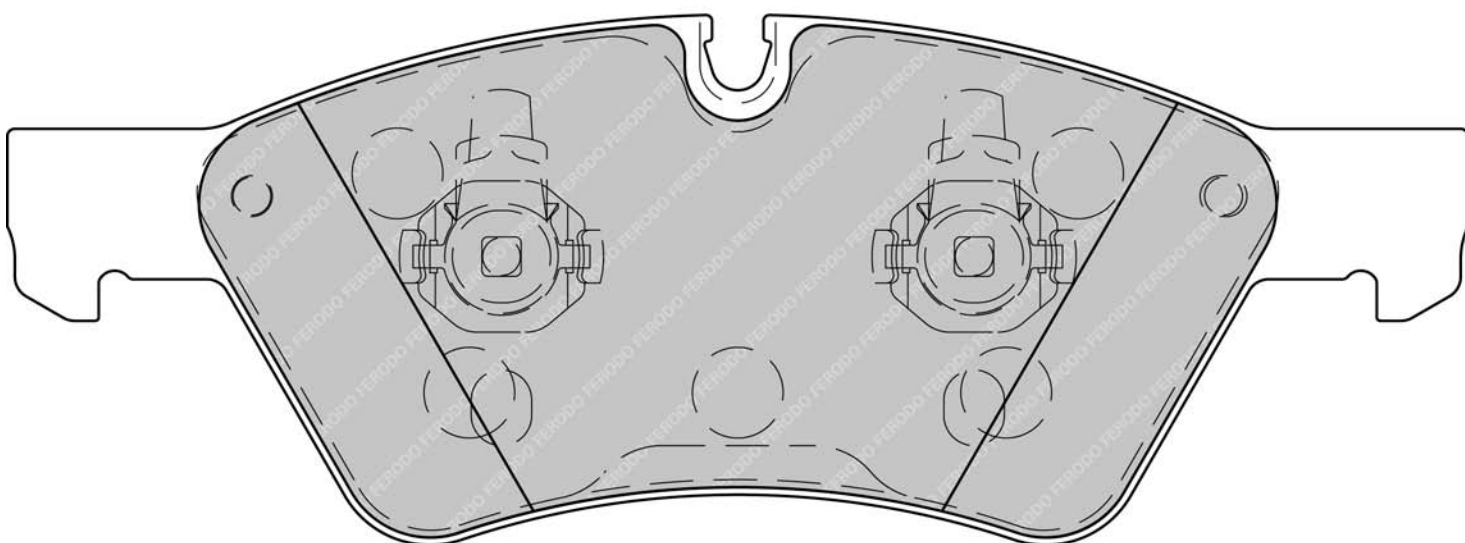
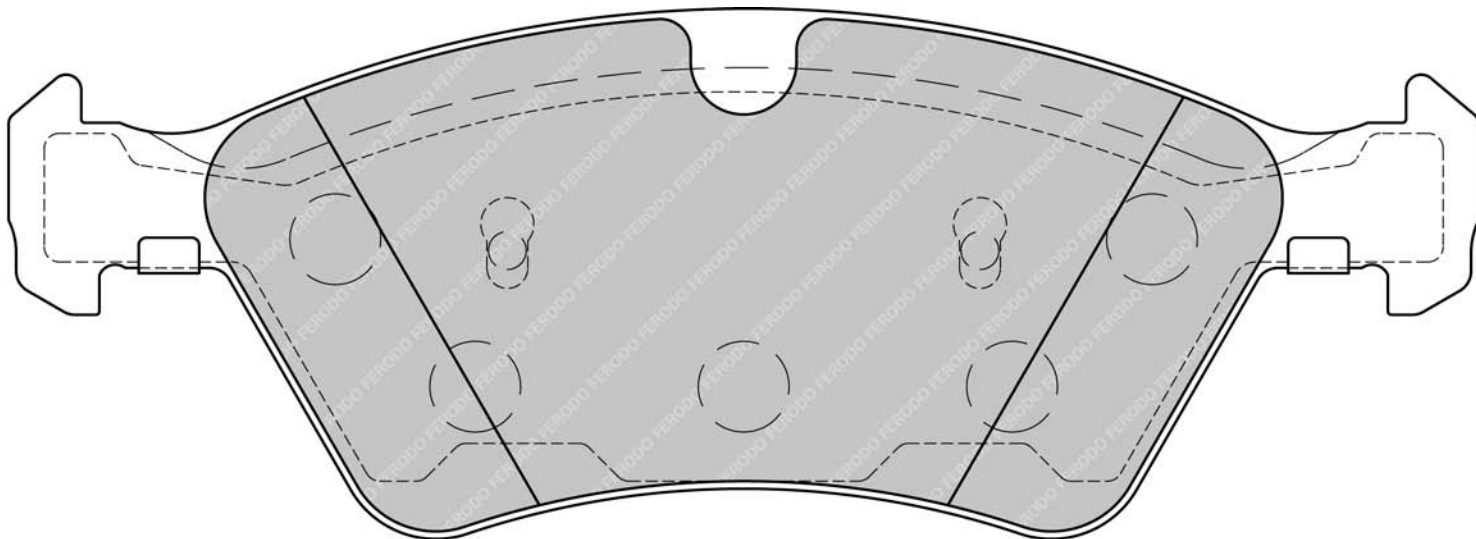
TOYOTA



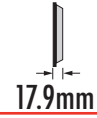
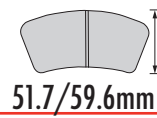
FDB1830



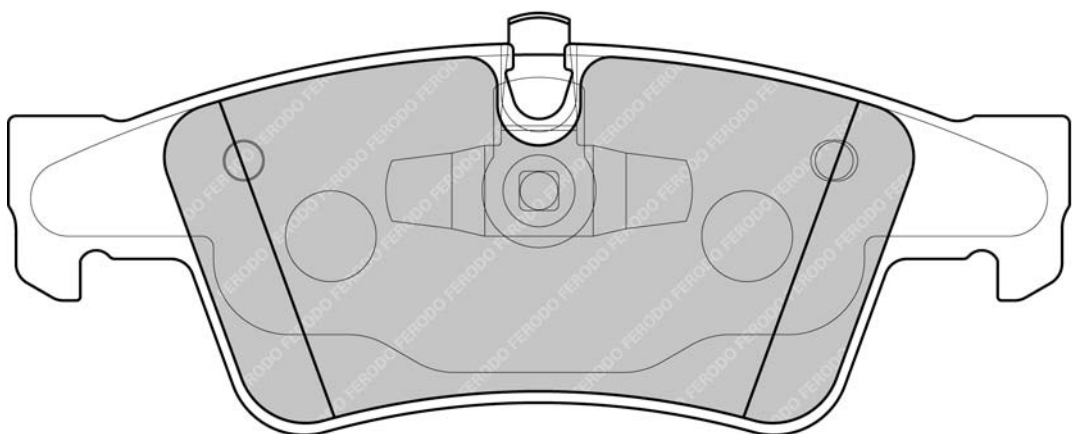
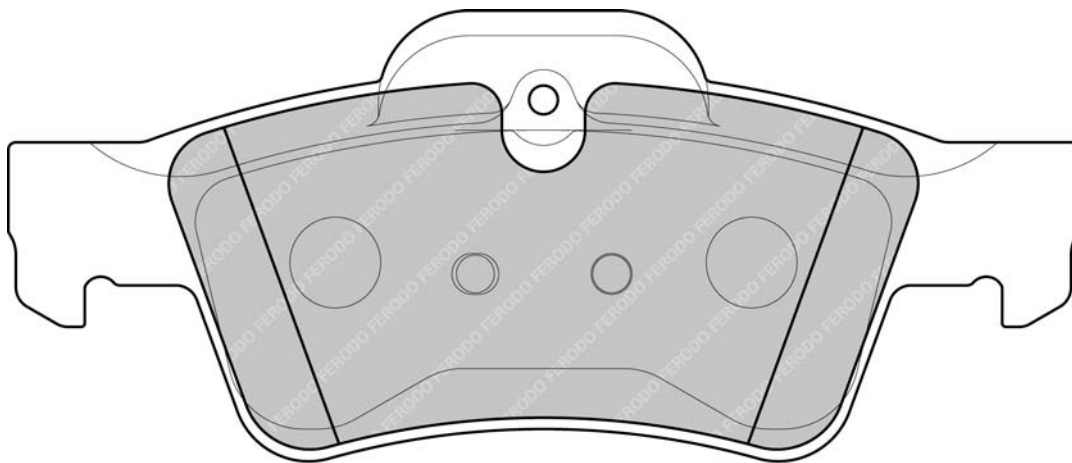
MERCEDES BENZ



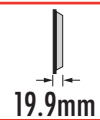
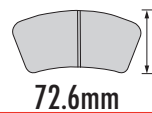
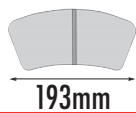
FDB1831



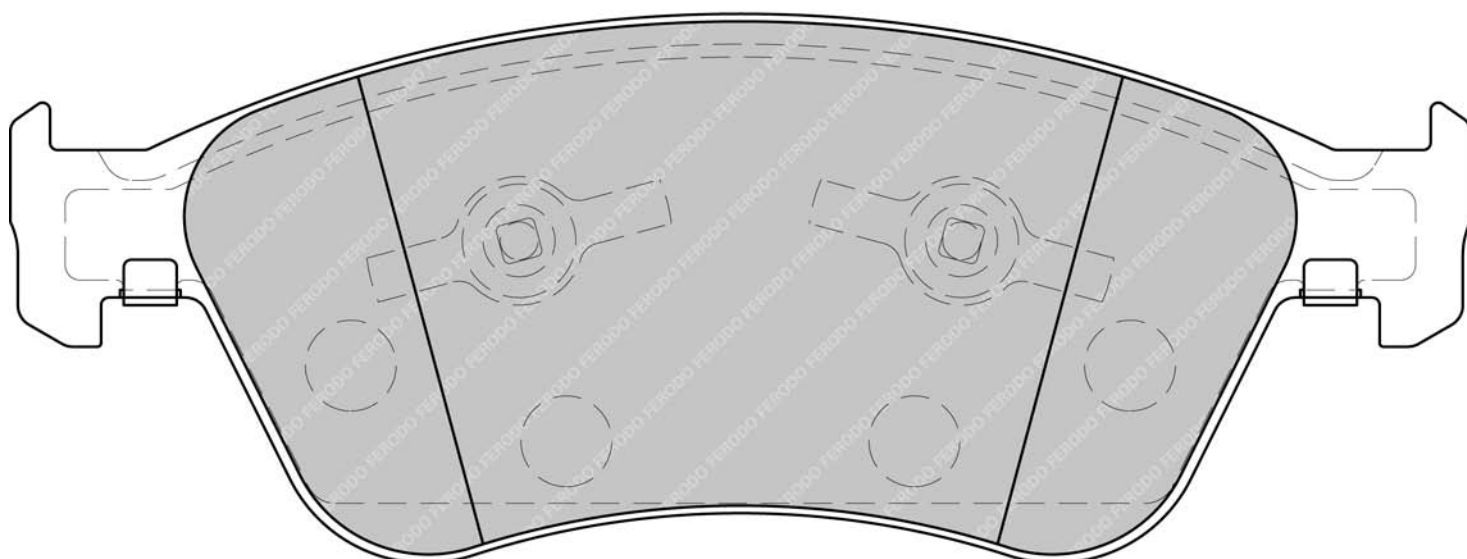
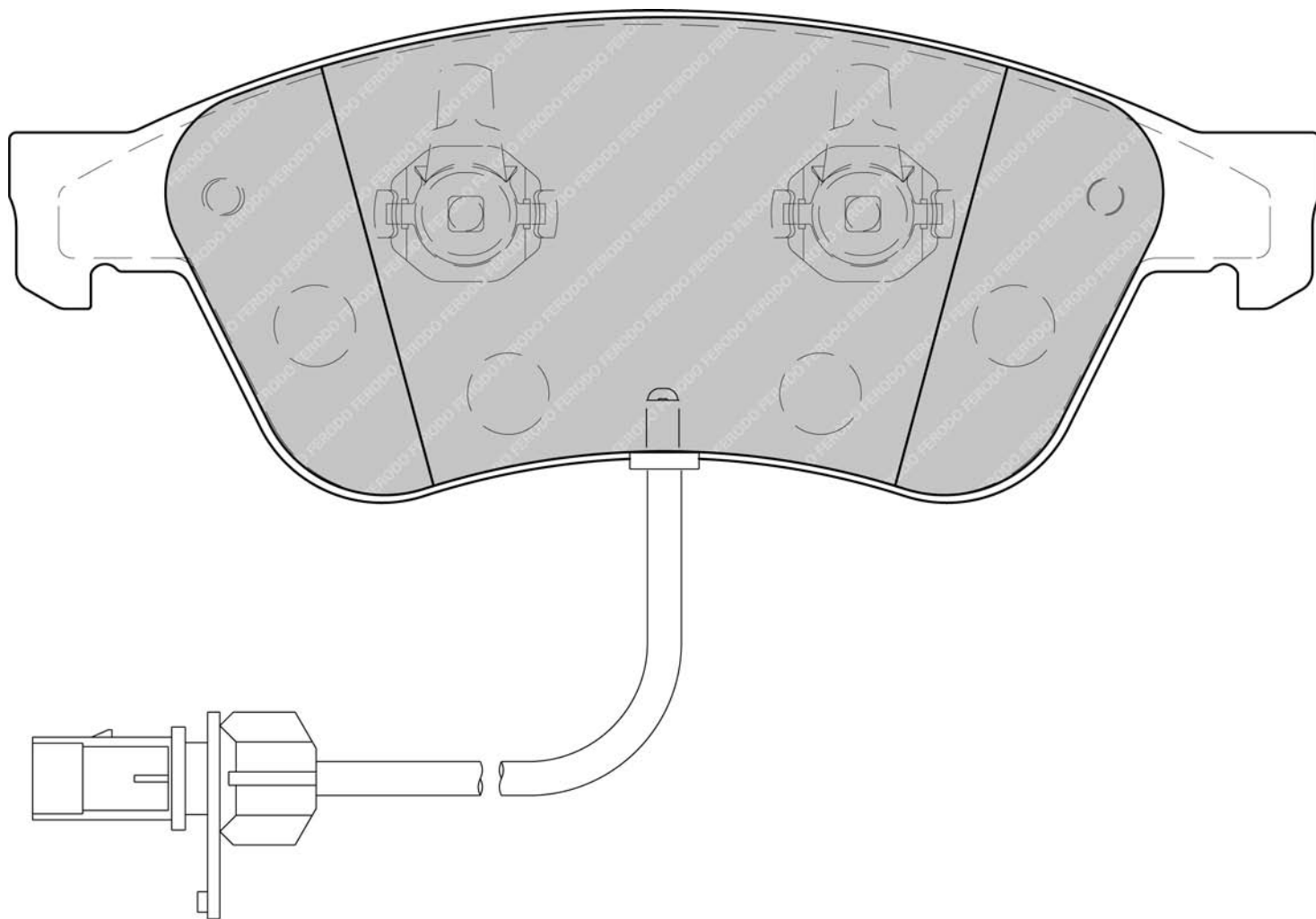
MERCEDES BENZ



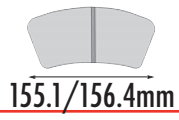
FDB1832



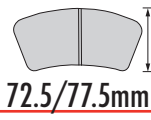
AUDI



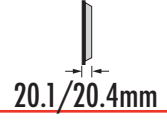
FDB1833



155.1/156.4mm

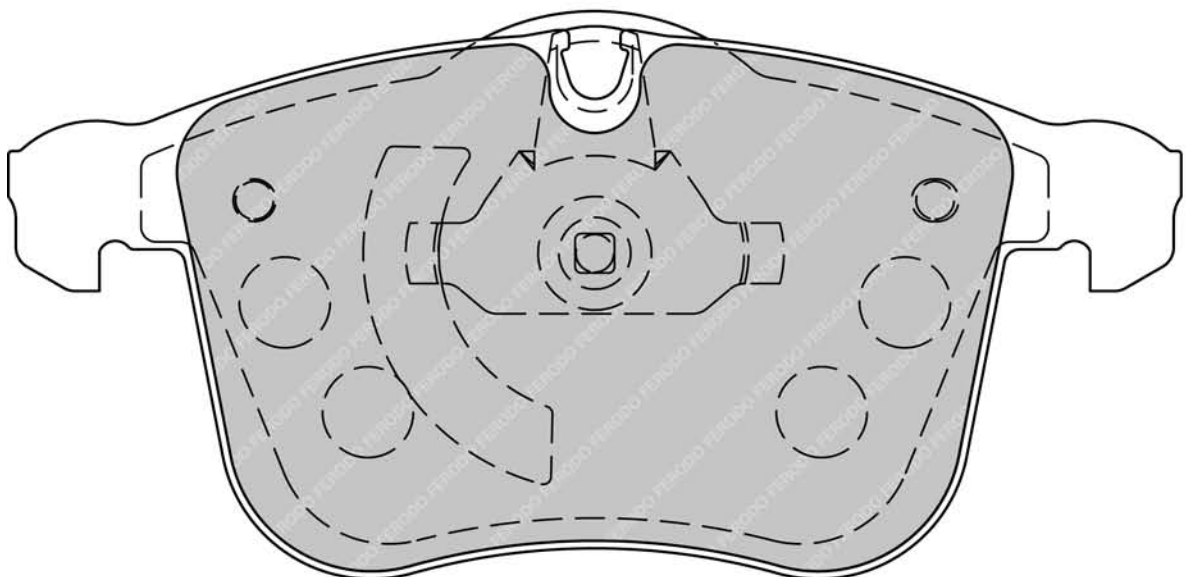
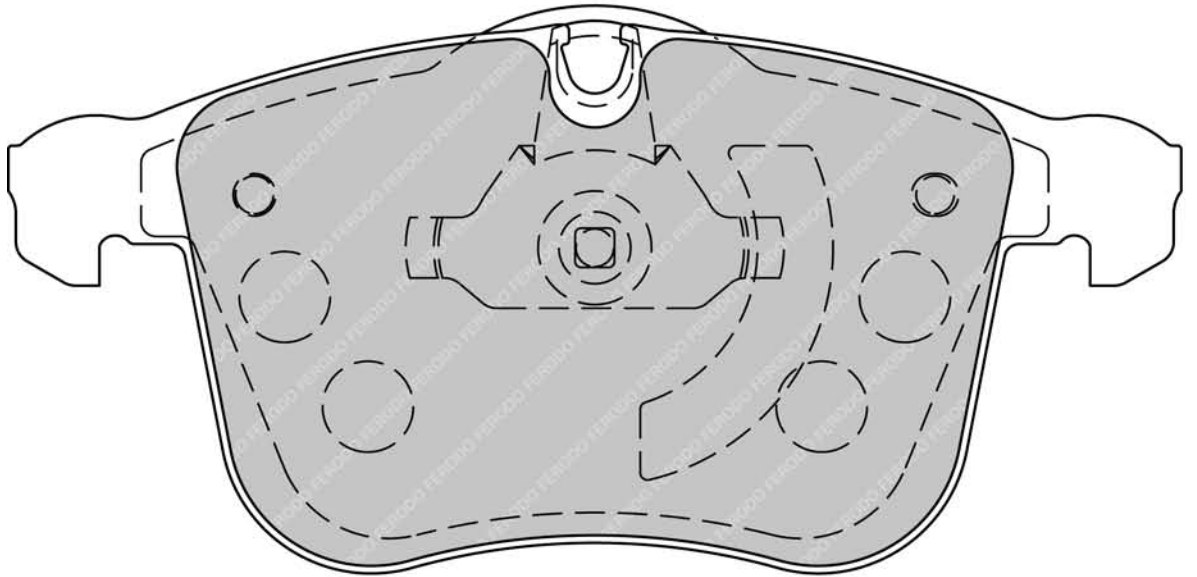
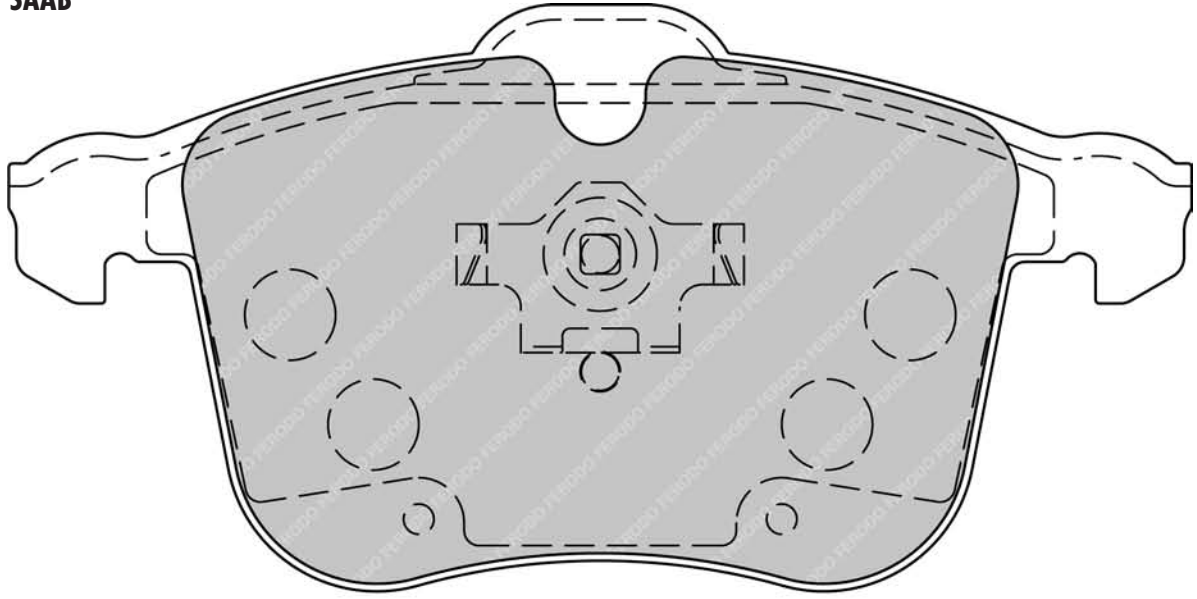


72.5/77.5mm

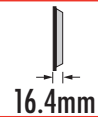
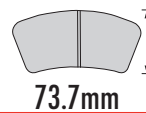


20.1/20.4mm

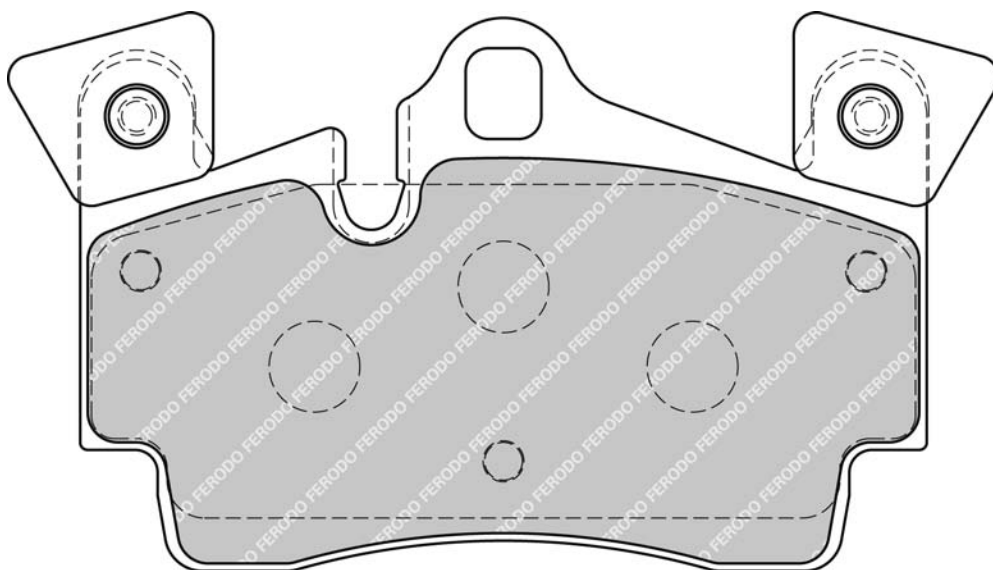
SAAB



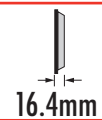
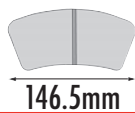
FDB1835



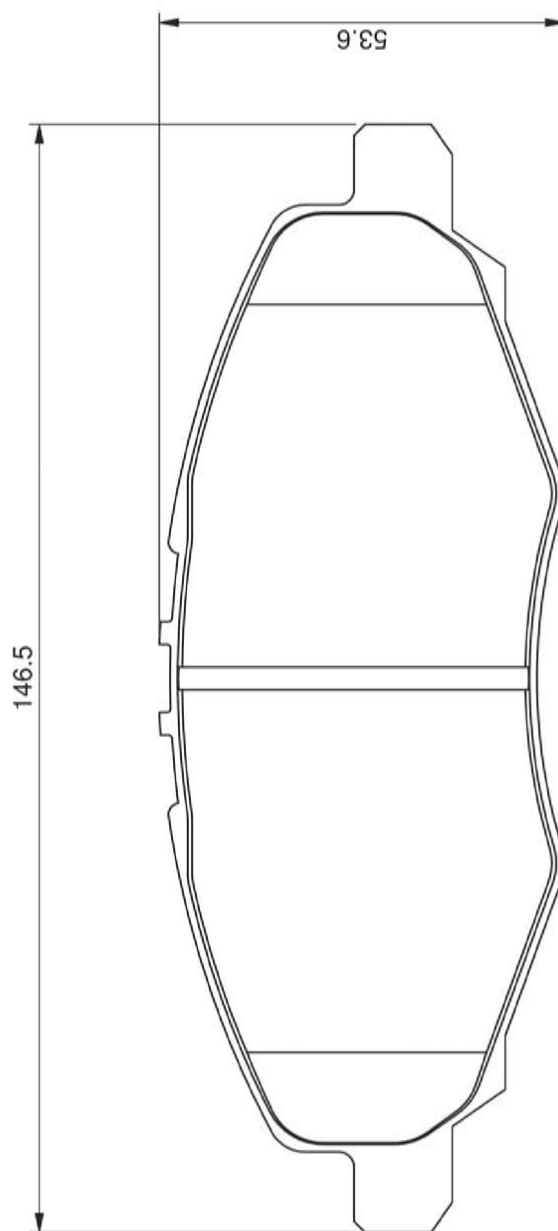
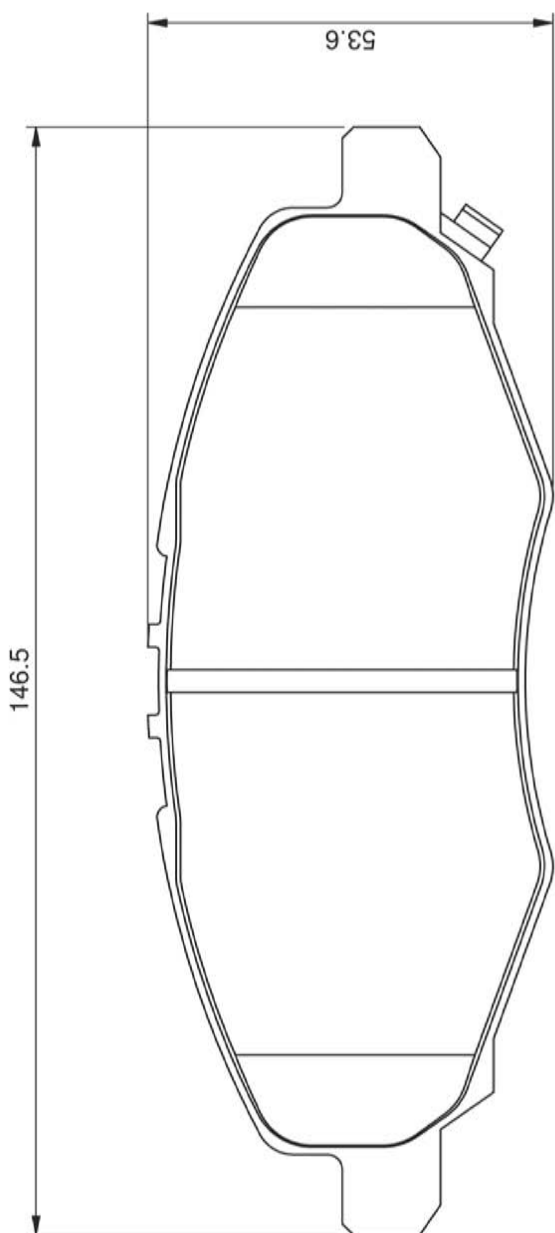
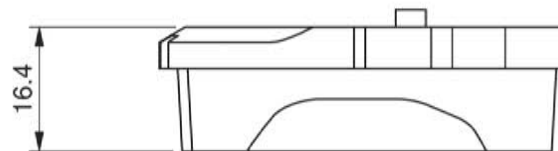
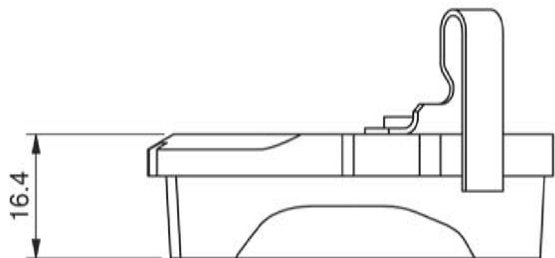
AUDI, PORSCHE



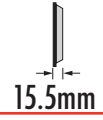
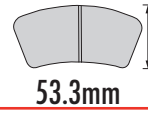
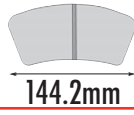
FDB1836



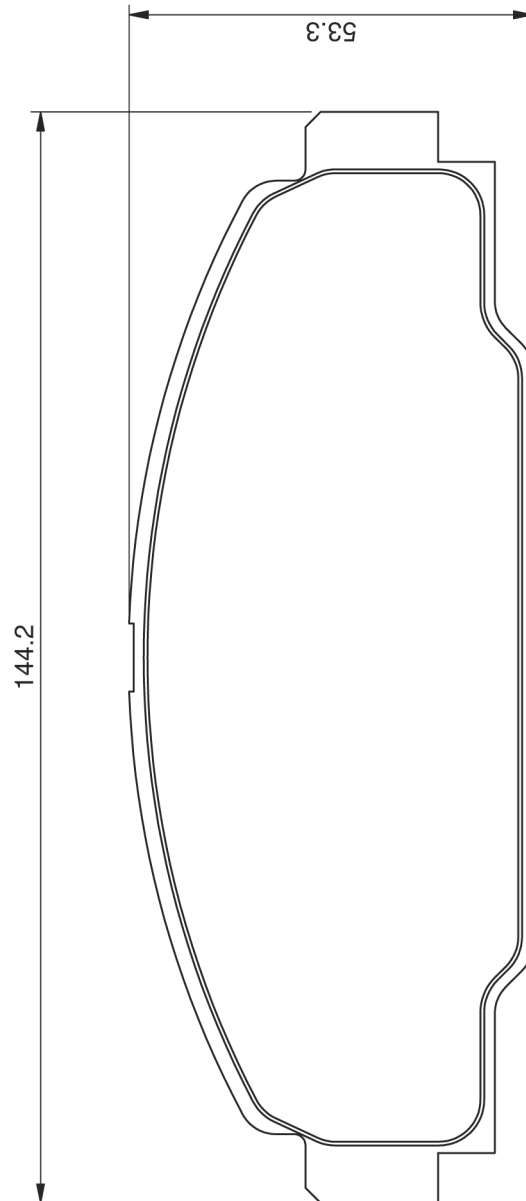
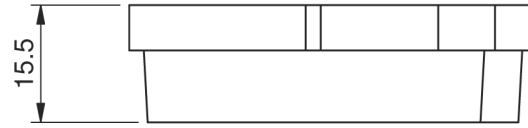
TOYOTA



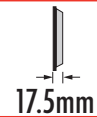
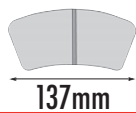
FDB1837



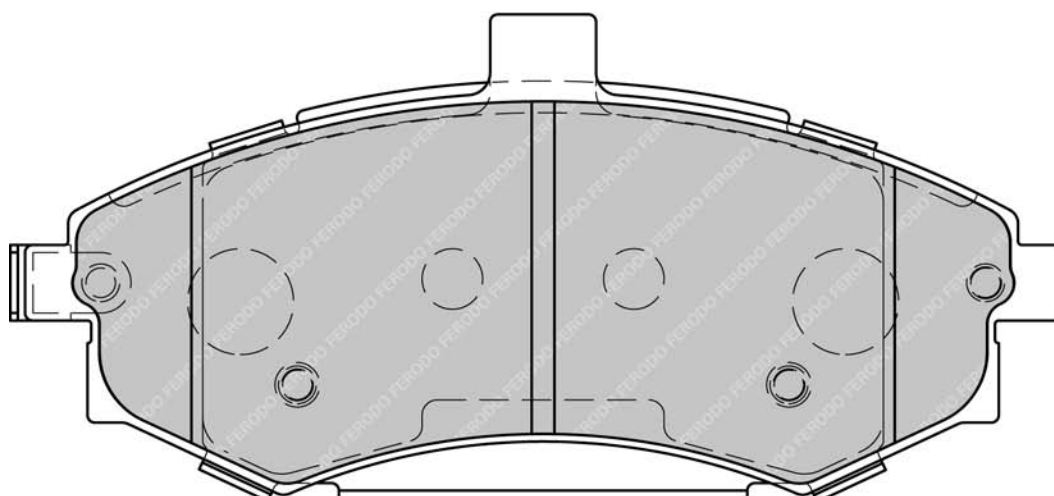
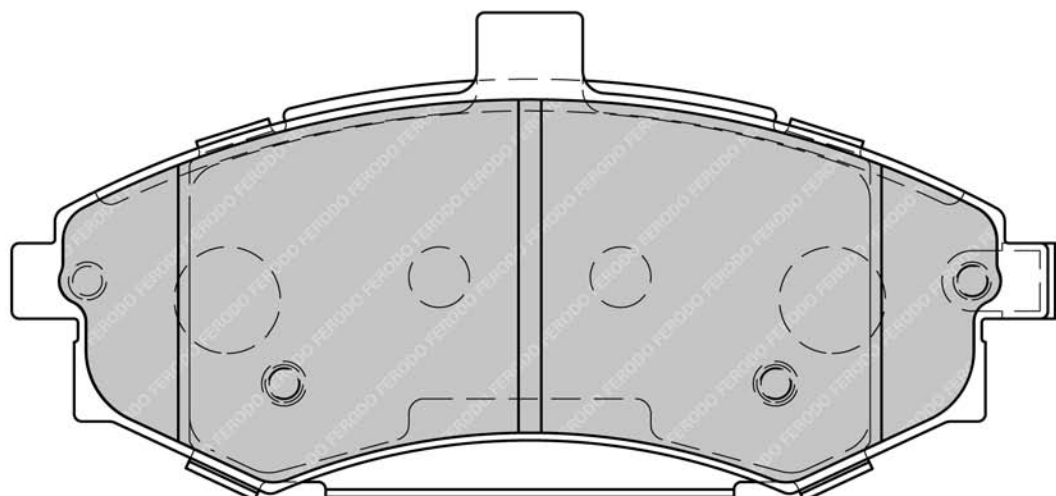
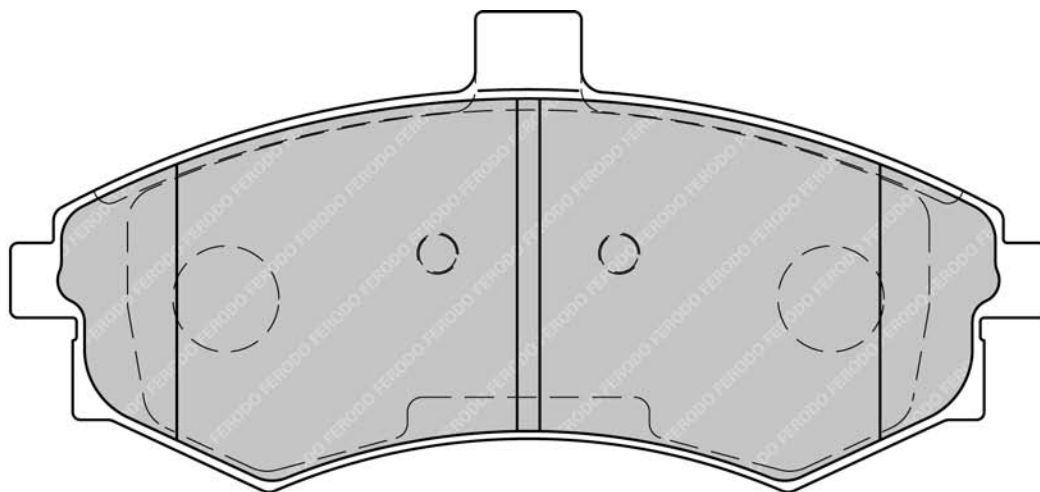
TOYOTA



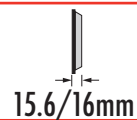
FDB1840



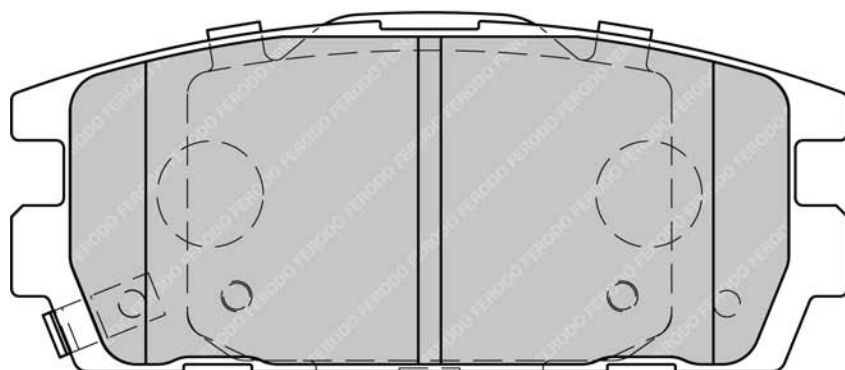
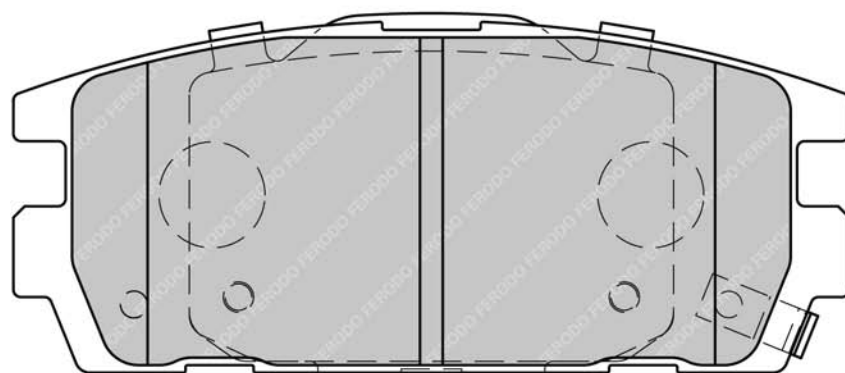
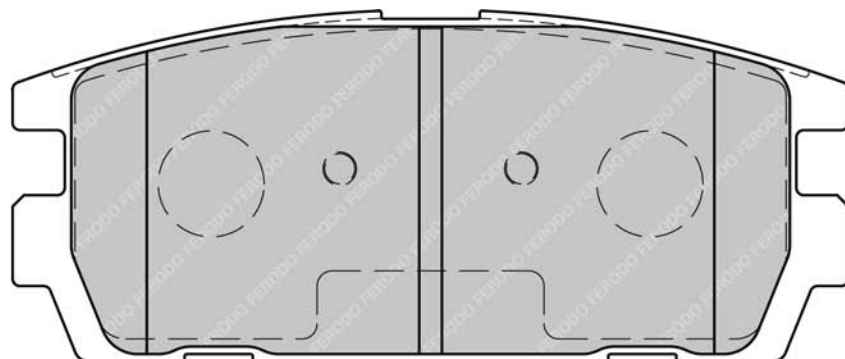
HYUNDAI



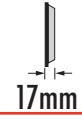
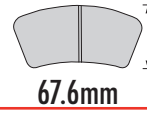
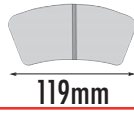
FDB1841



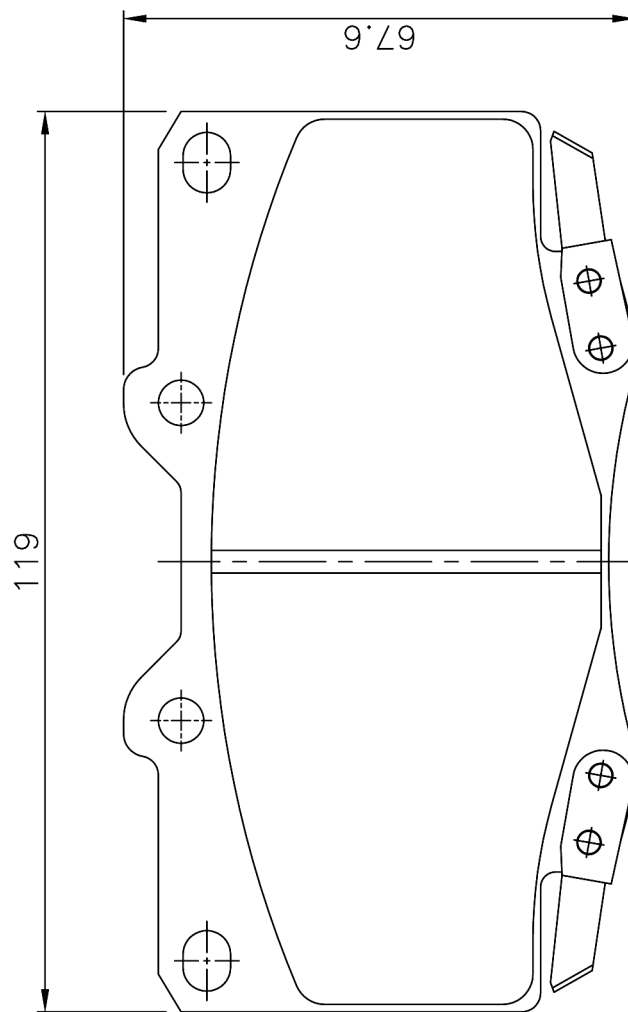
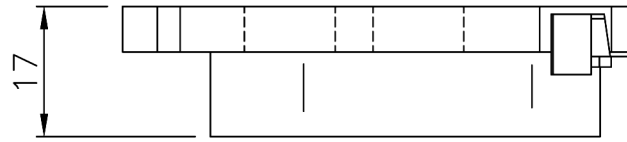
HYUNDAI



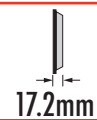
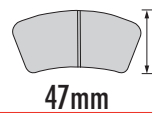
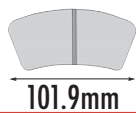
FDB1852



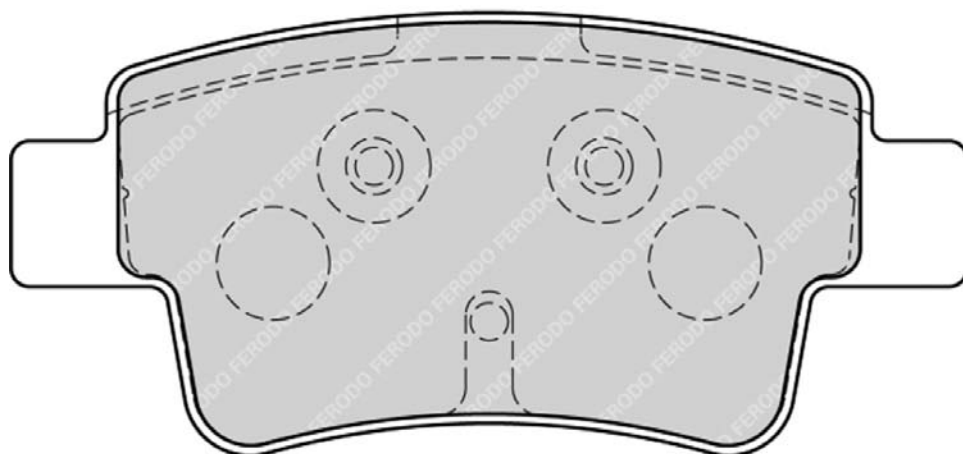
TOYOTA



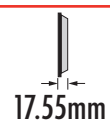
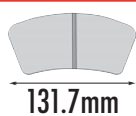
FDB1858



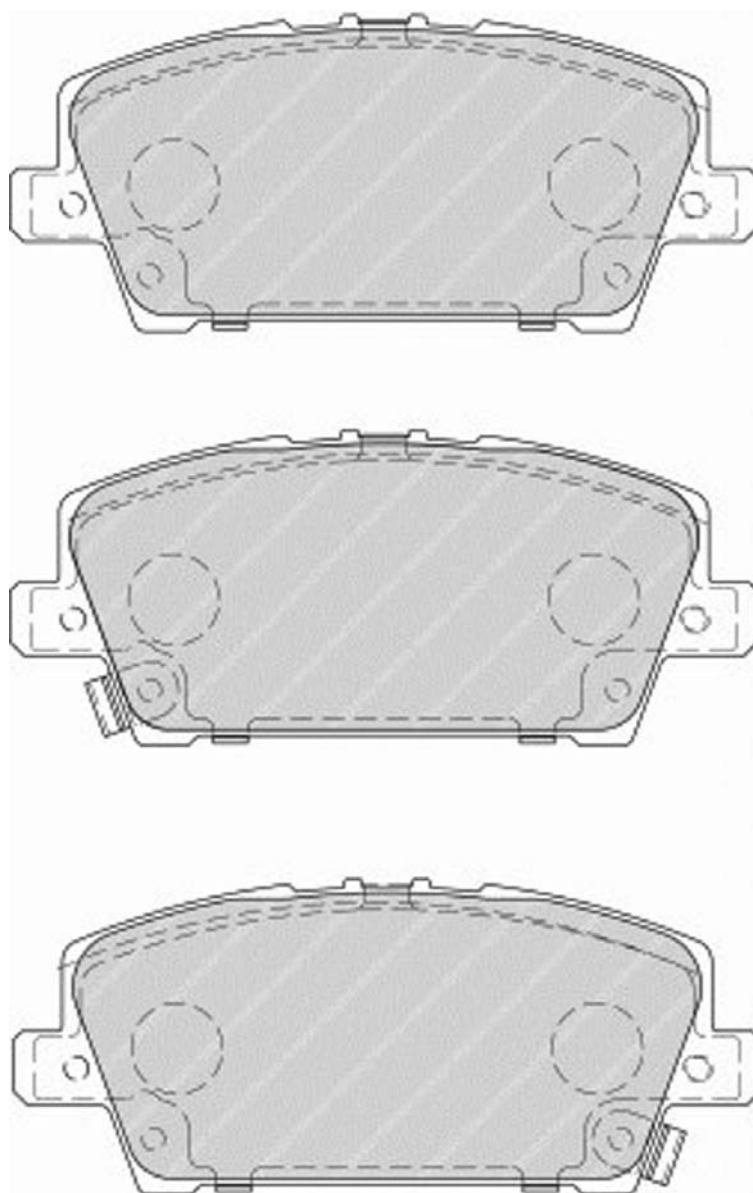
FIAT



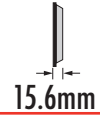
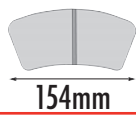
FDB1859



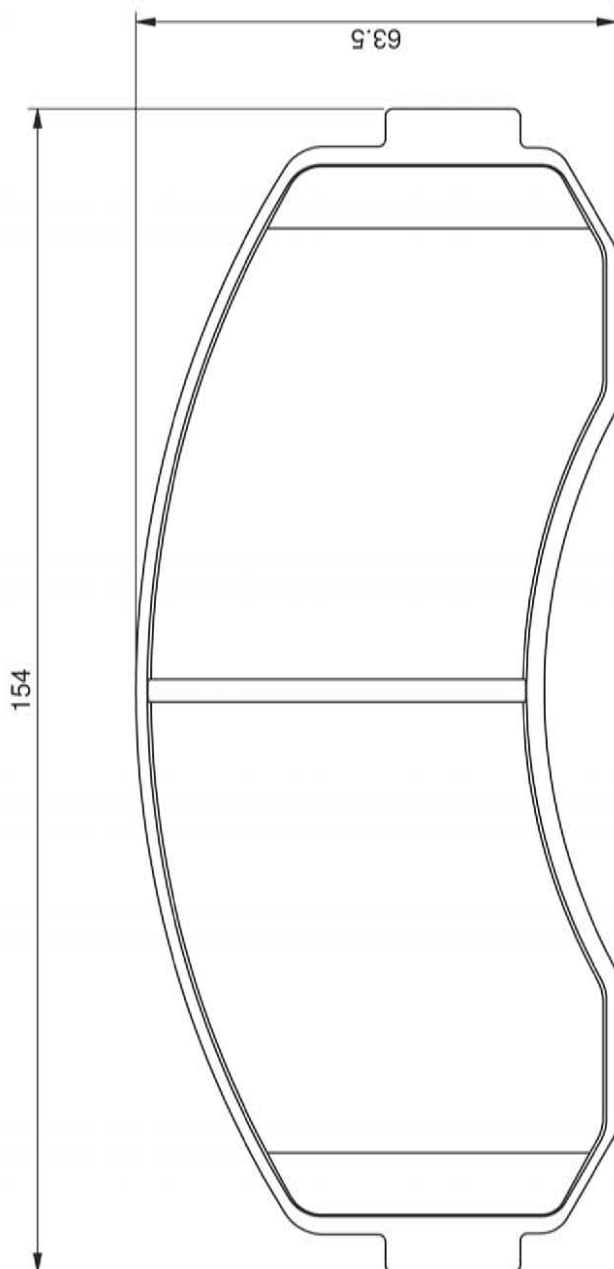
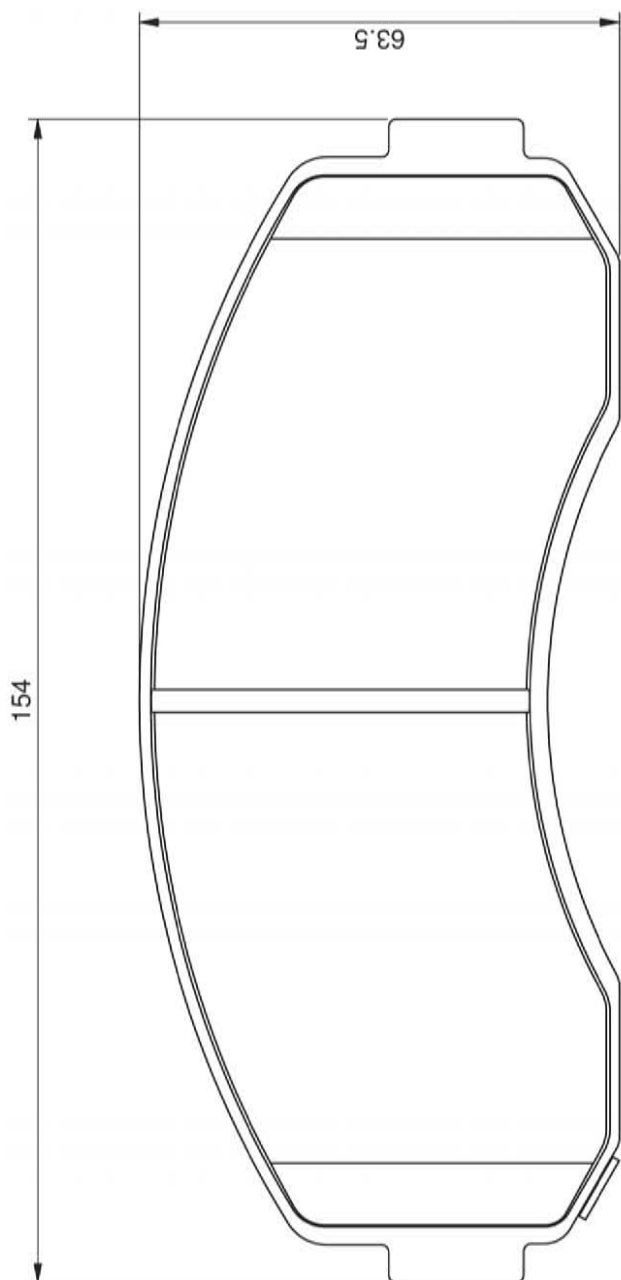
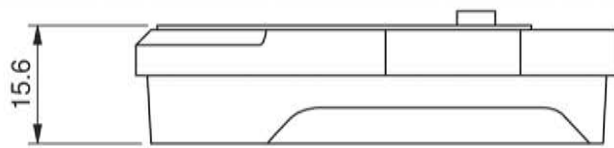
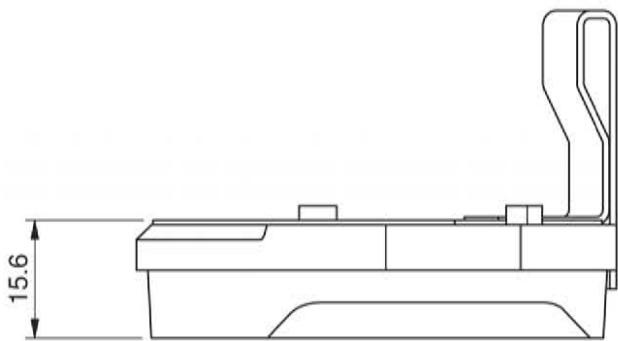
HONDA



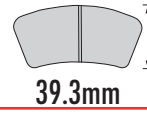
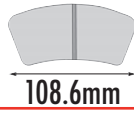
FDB1860



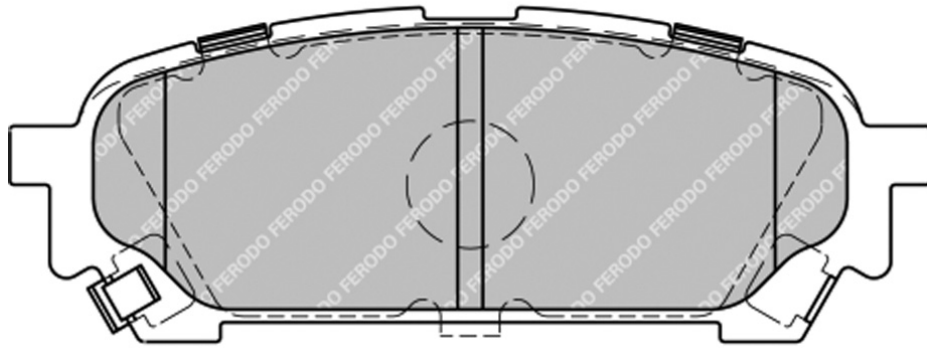
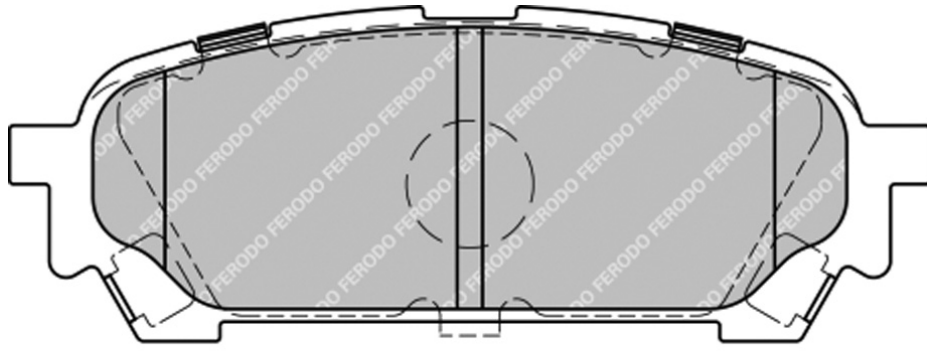
KIA



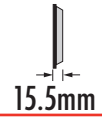
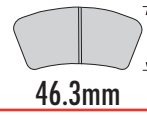
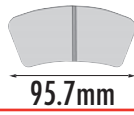
FDB1861



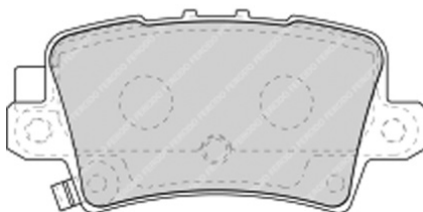
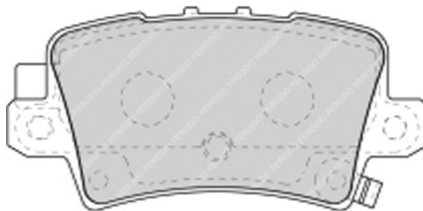
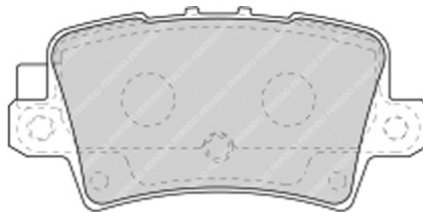
SUBARU



FDB1862



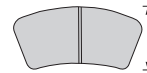
HONDA



FDB1865



156mm

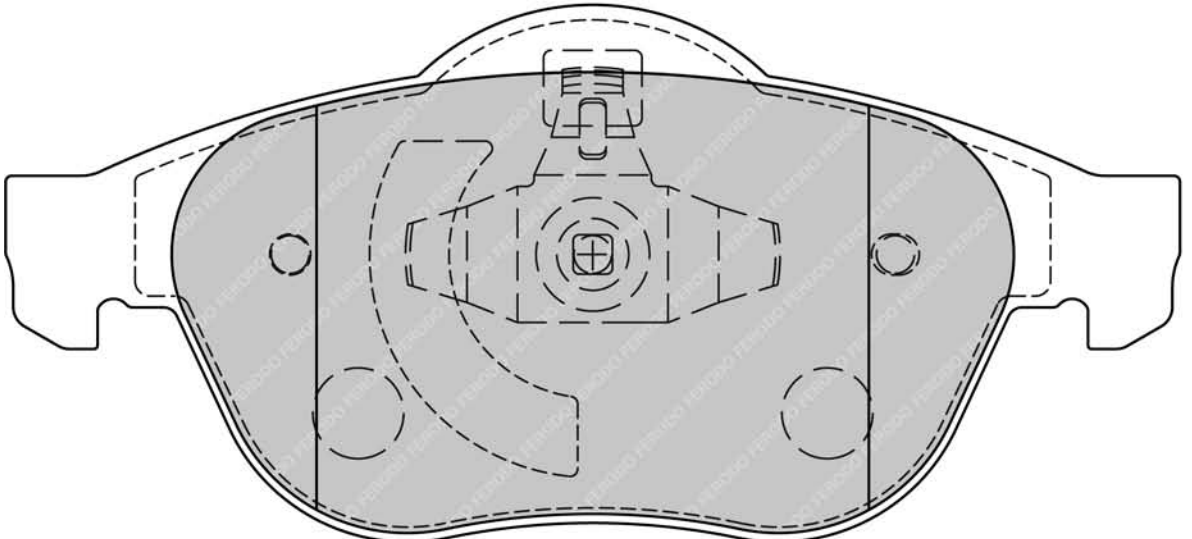
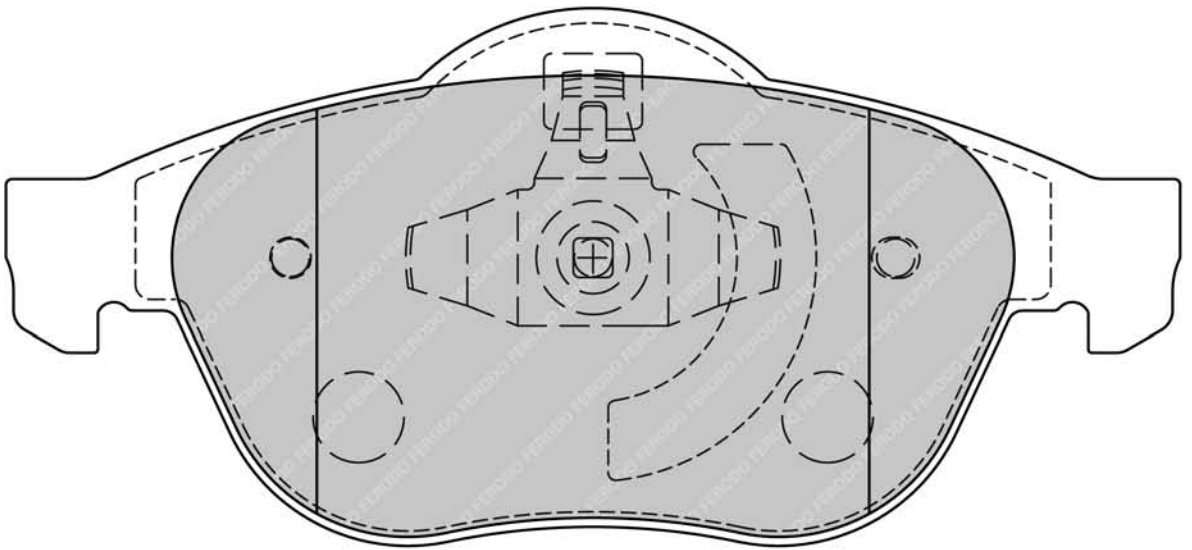
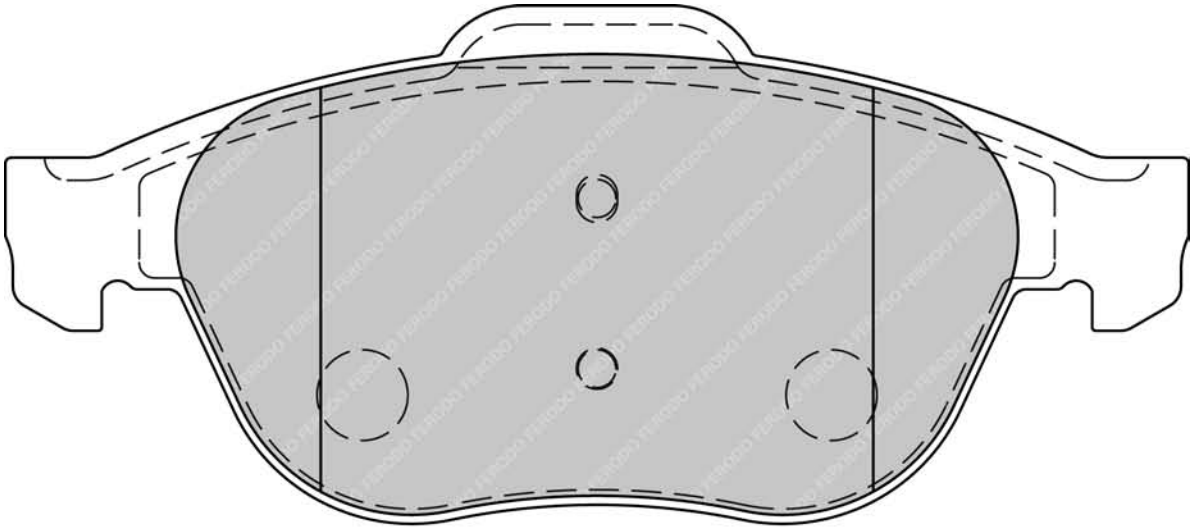


67.9/70.8mm

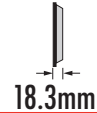
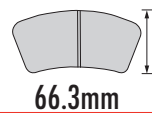


18.3mm

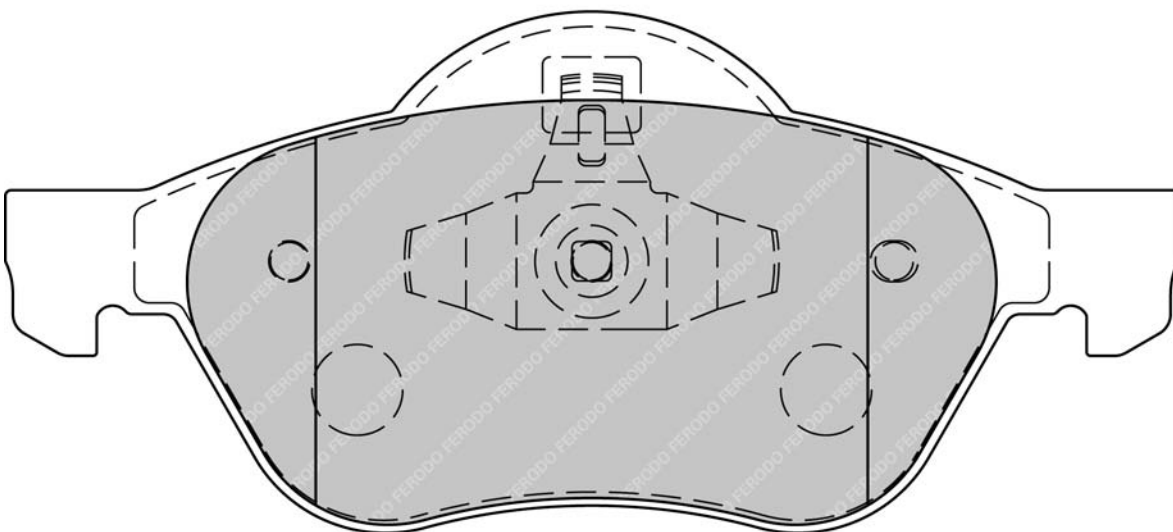
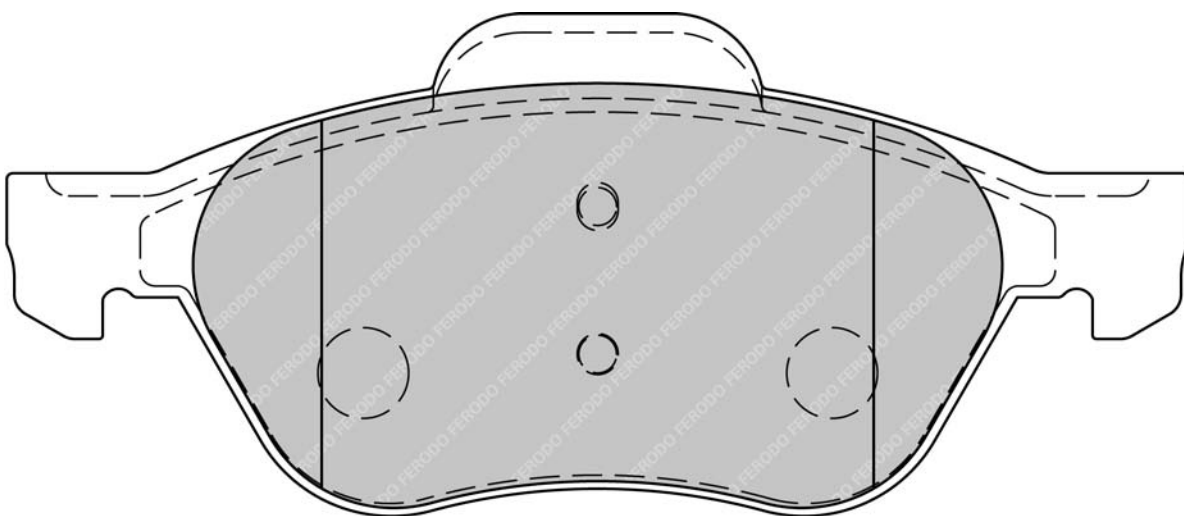
RENAULT



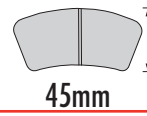
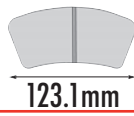
FDB1866



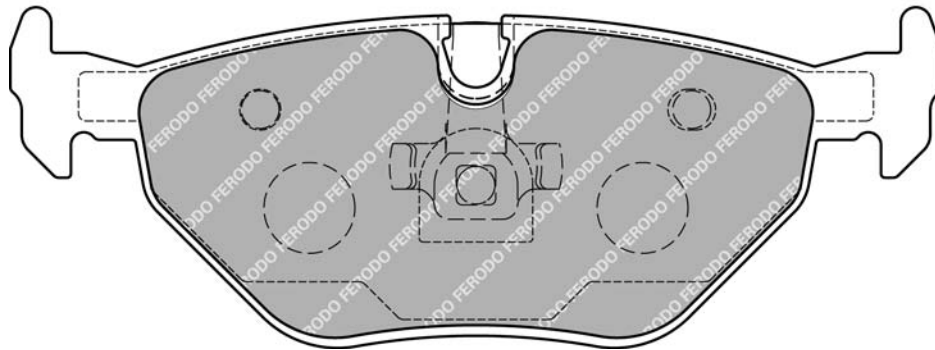
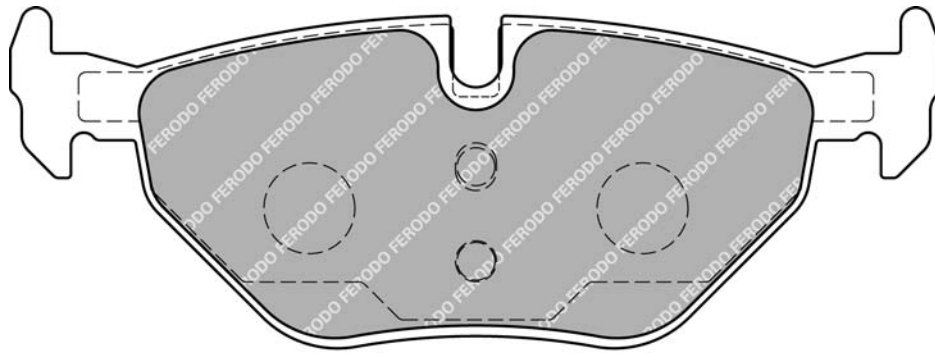
RENAULT



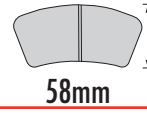
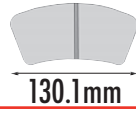
FDB1867



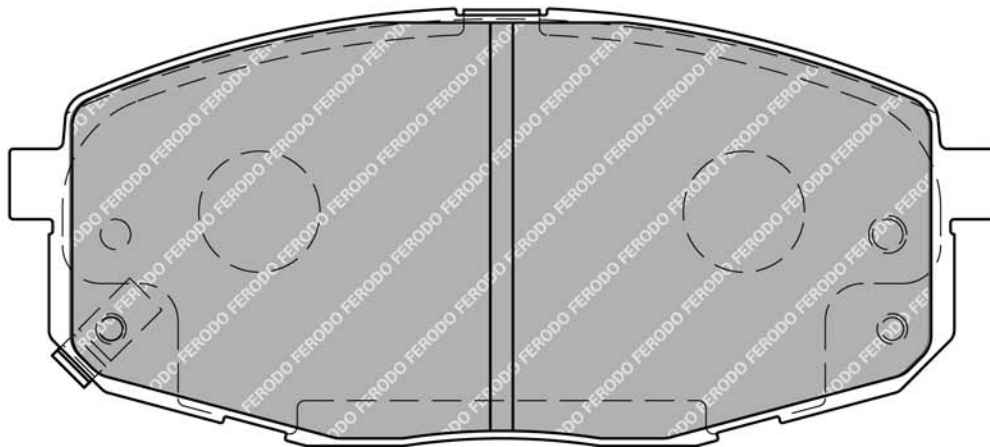
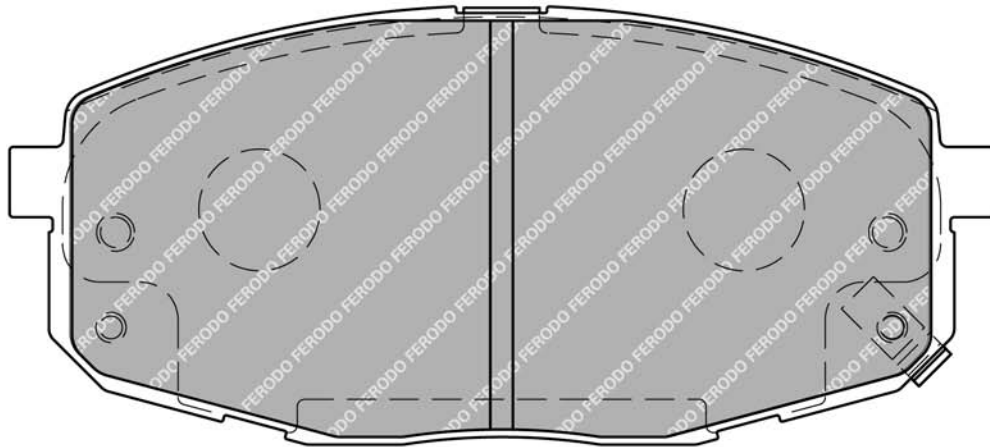
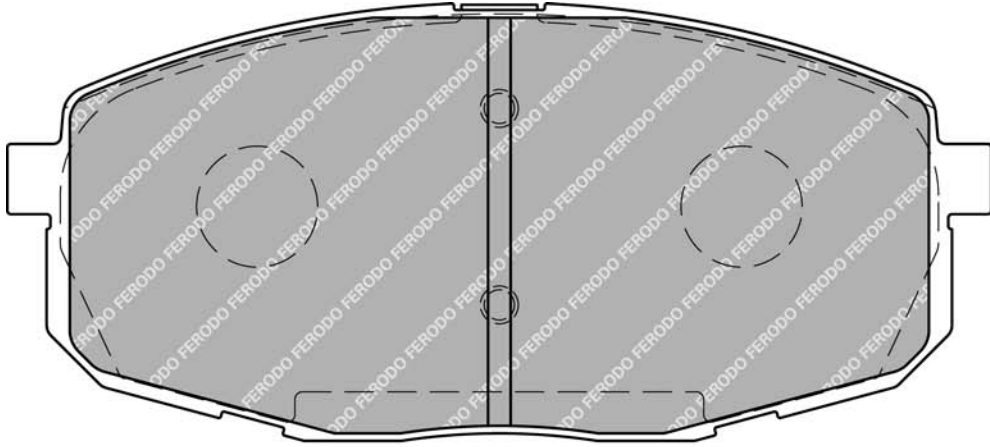
SAAB



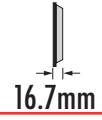
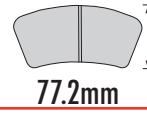
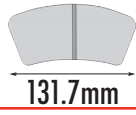
FDB1869



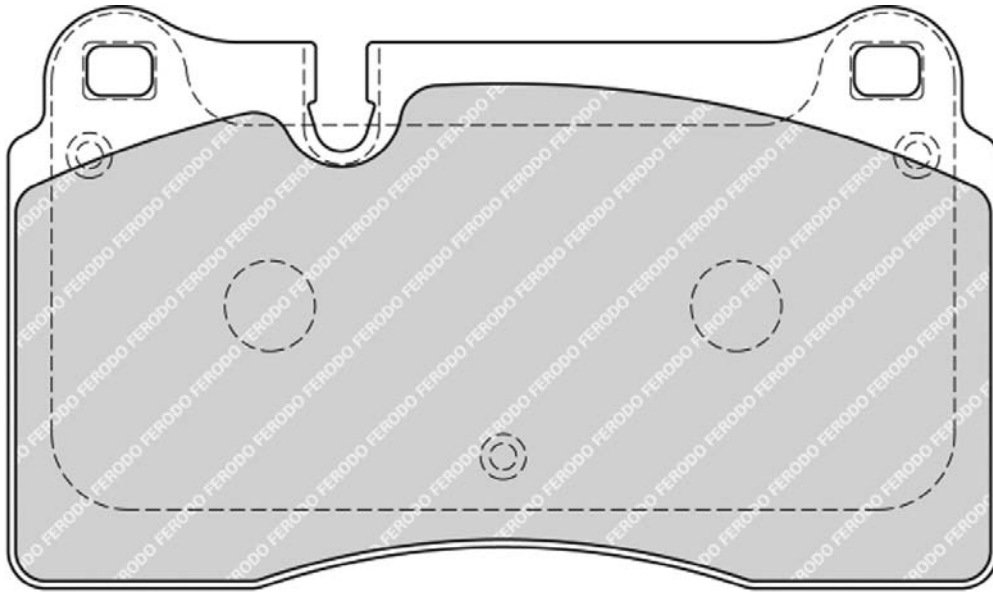
KIA



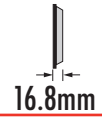
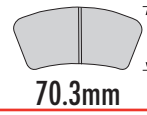
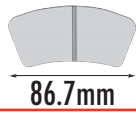
FDB1877



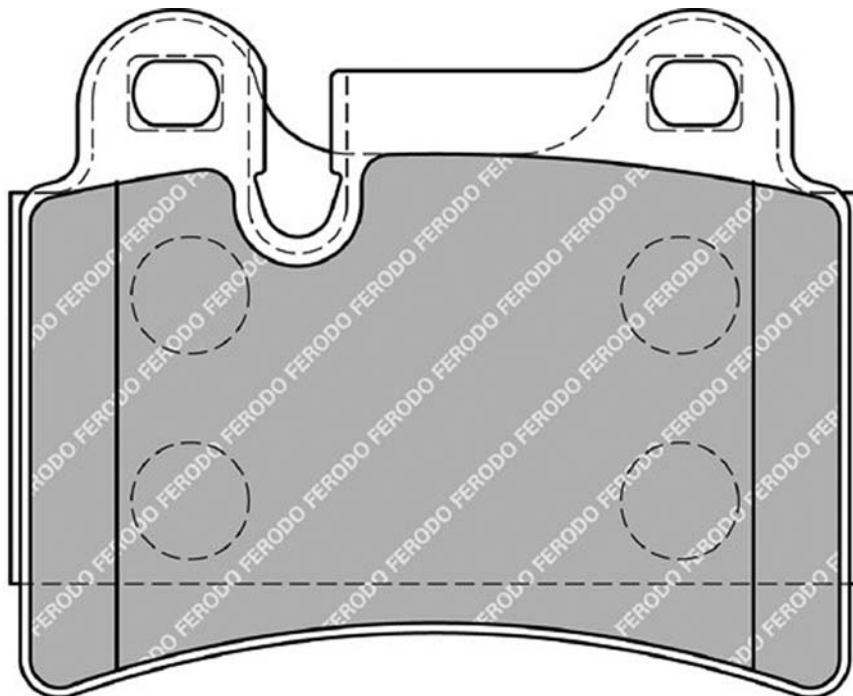
VOLKSWAGEN



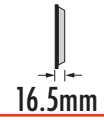
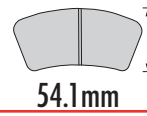
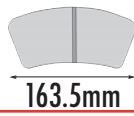
FDB1878



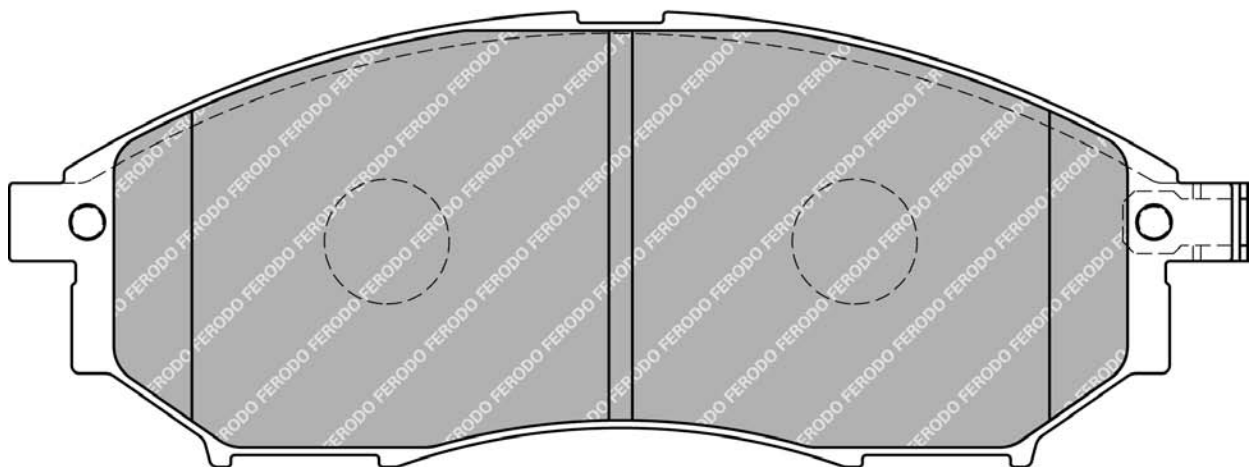
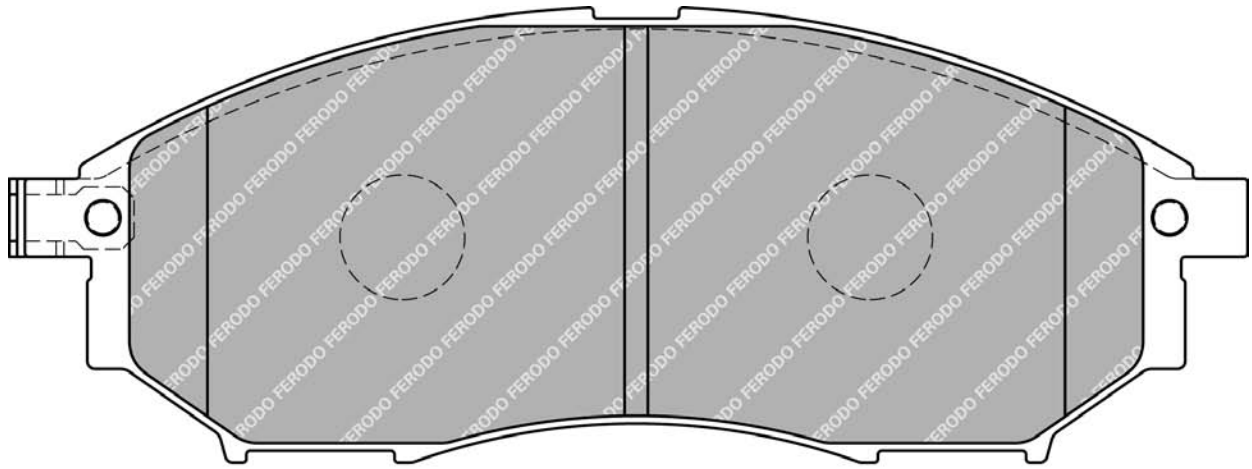
VOLKSWAGEN



FDB1881



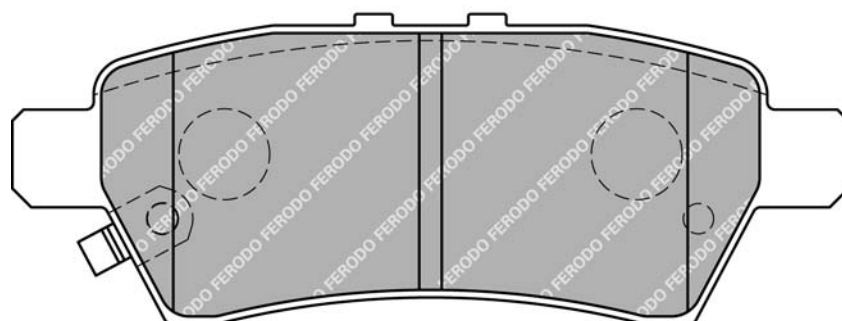
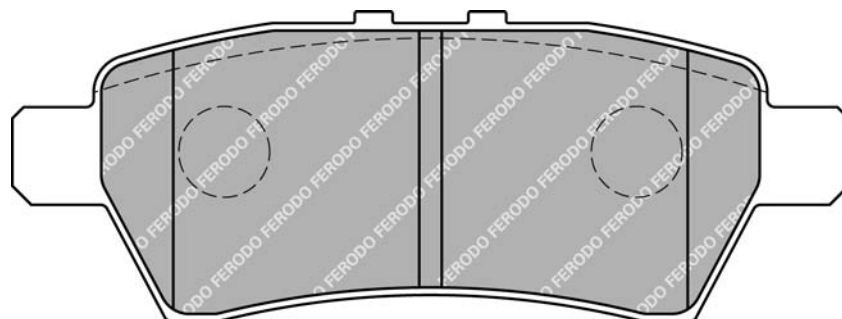
NISSAN



FDB1882



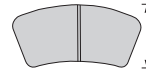
NISSAN



FDB1883



193.2mm

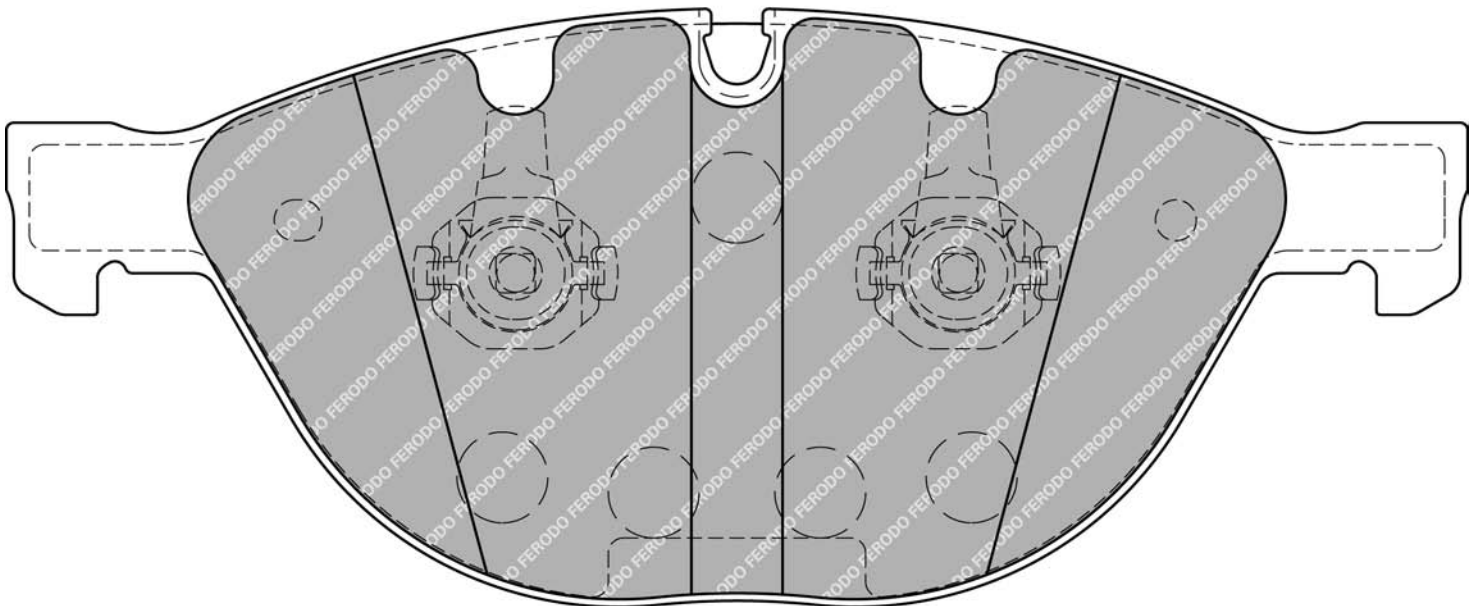
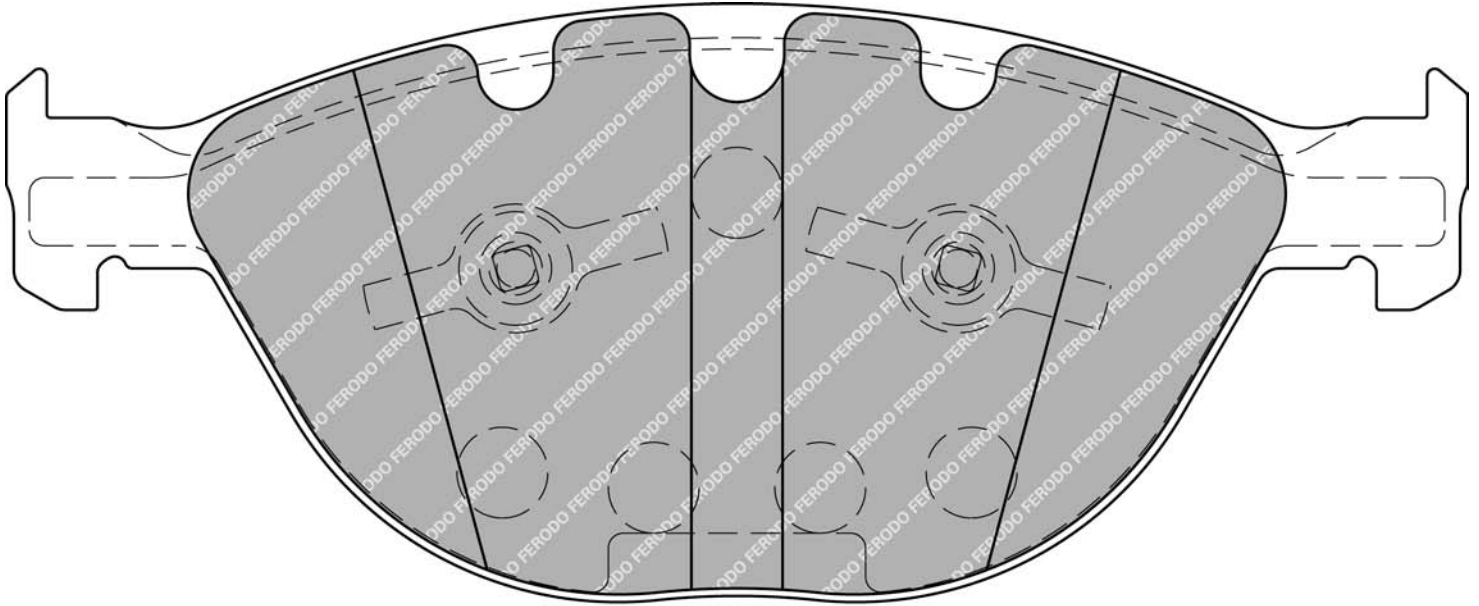


79.2mm

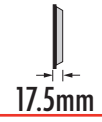
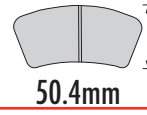
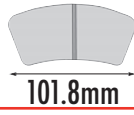


20.4mm

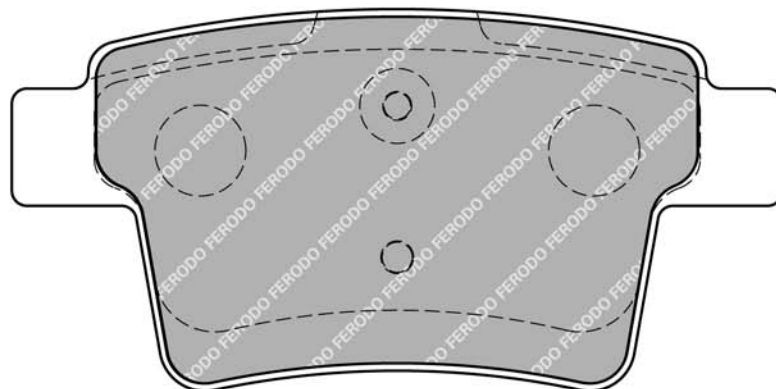
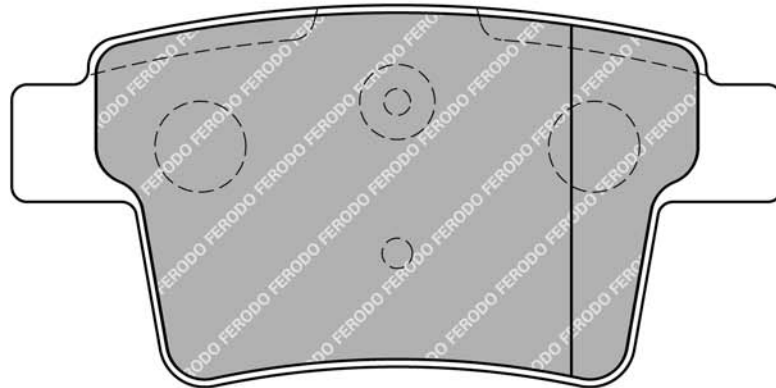
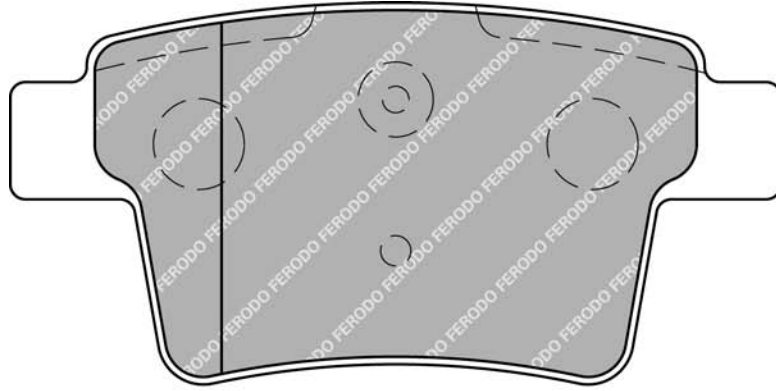
BMW



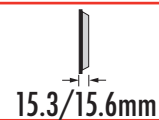
FDB1885



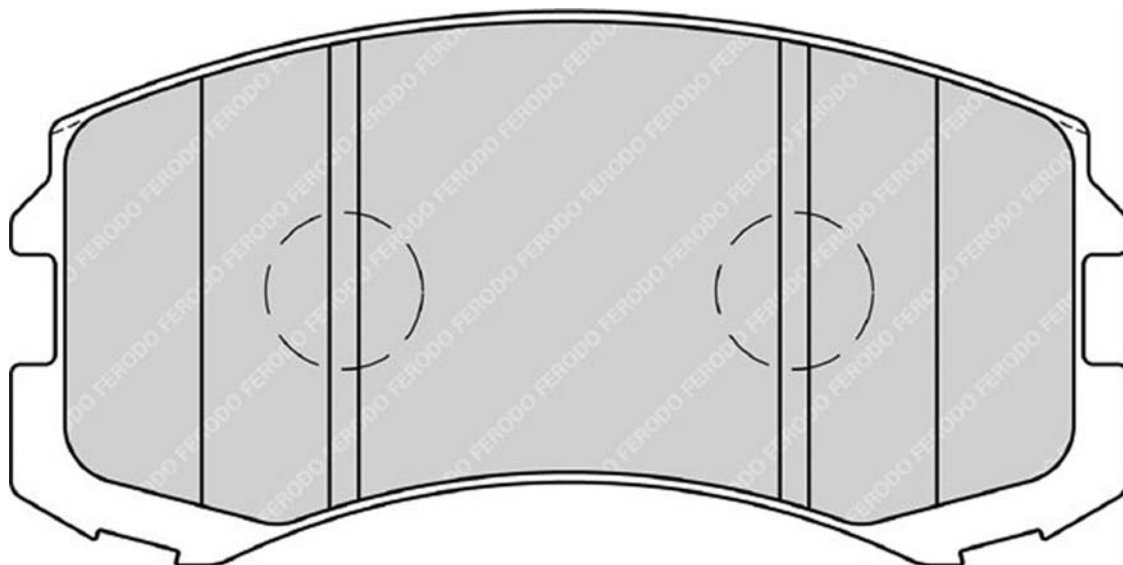
FORD, PROTON



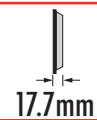
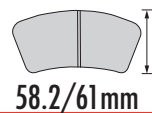
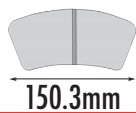
FDB1886



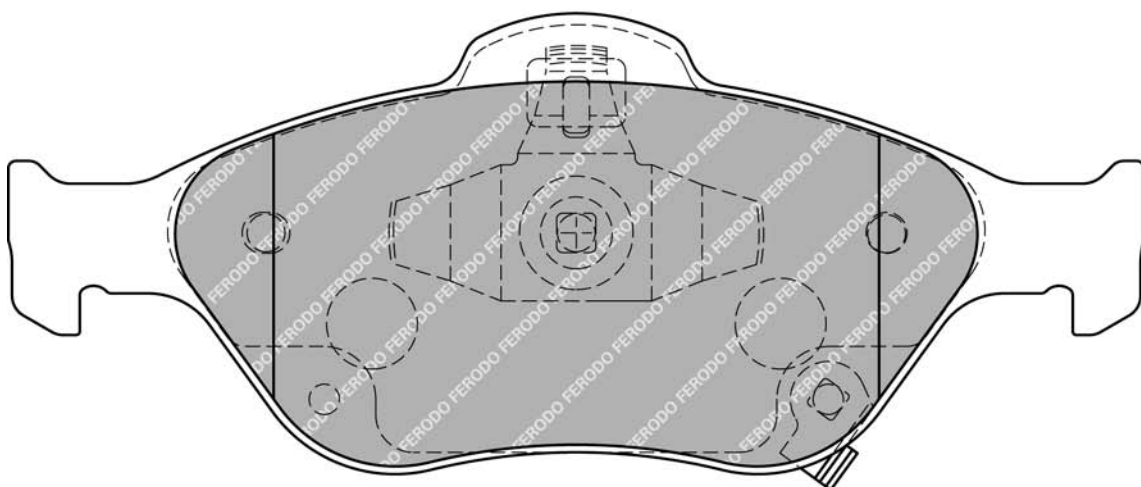
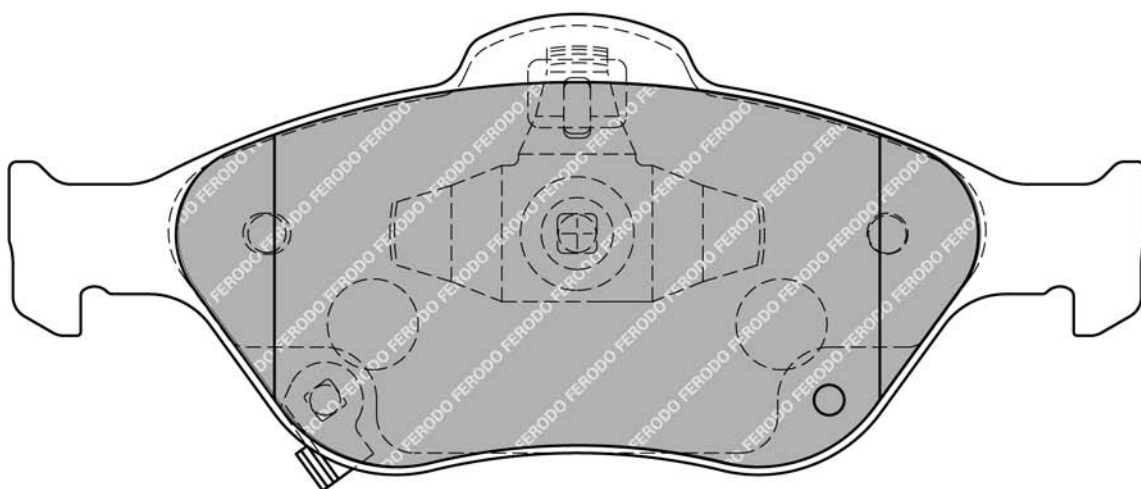
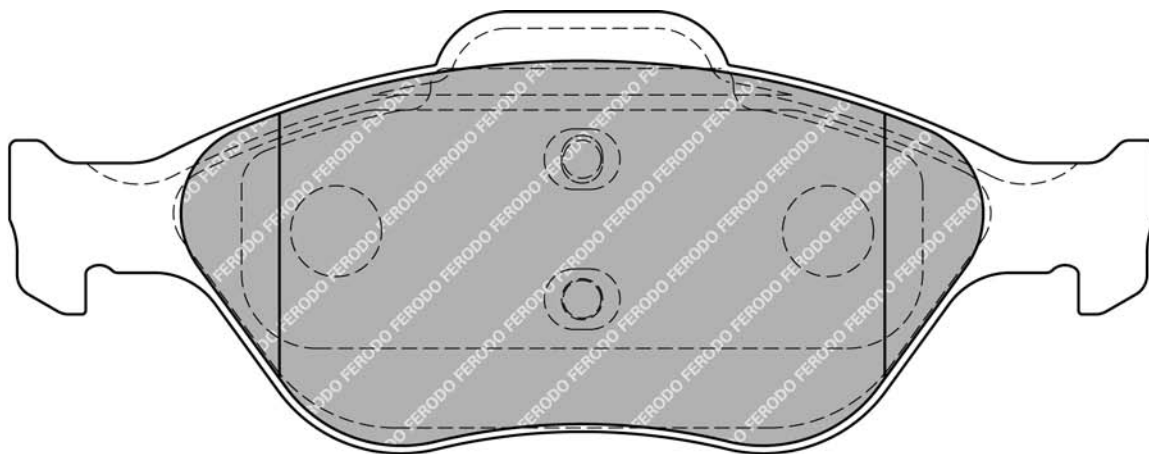
MITSUBISHI



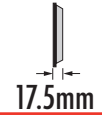
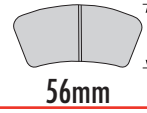
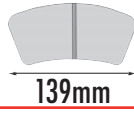
FDB1890



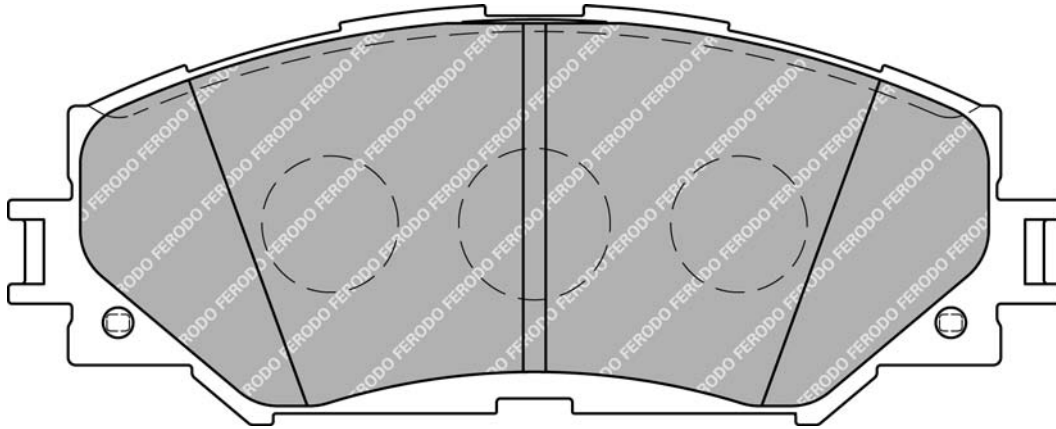
TOYOTA



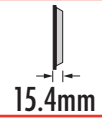
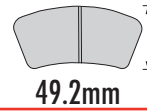
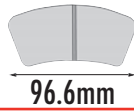
FDB1891



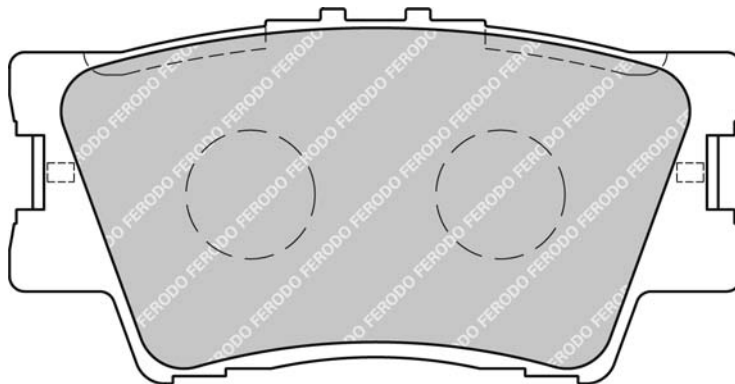
TOYOTA



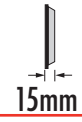
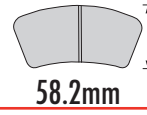
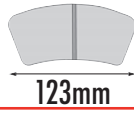
FDB1892



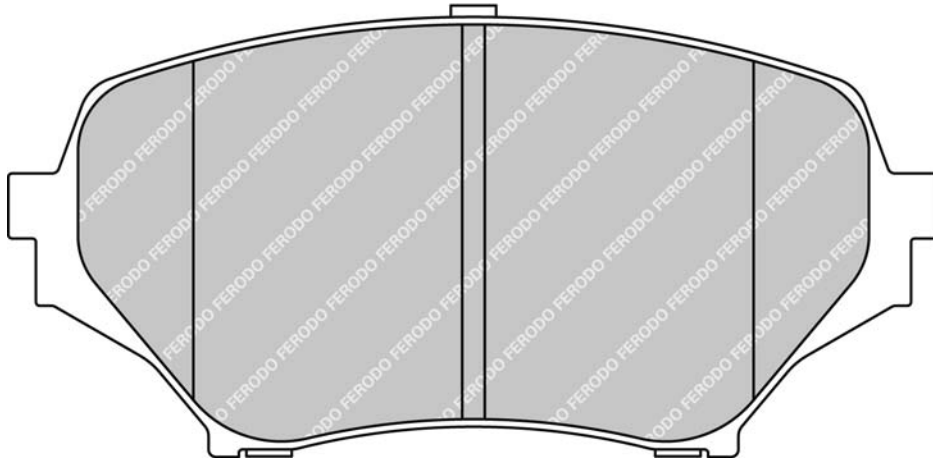
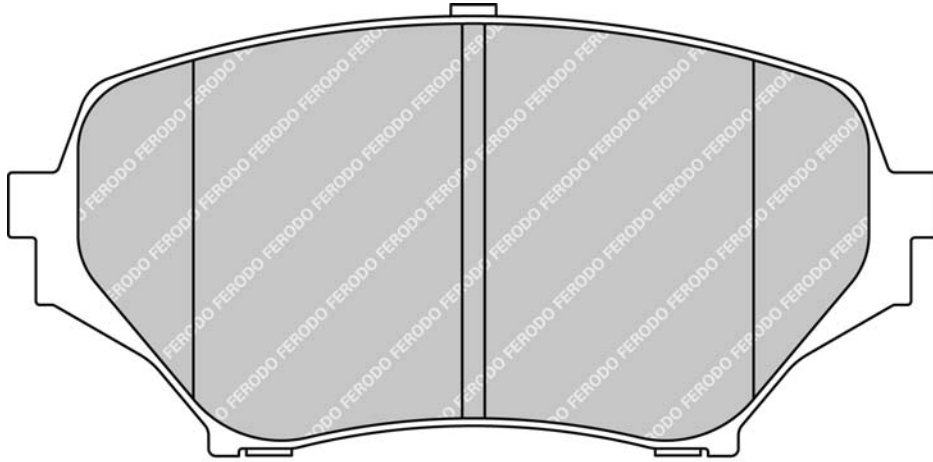
TOYOTA



FDB1893



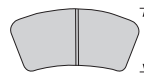
MAZDA



FDB1894



99.2mm

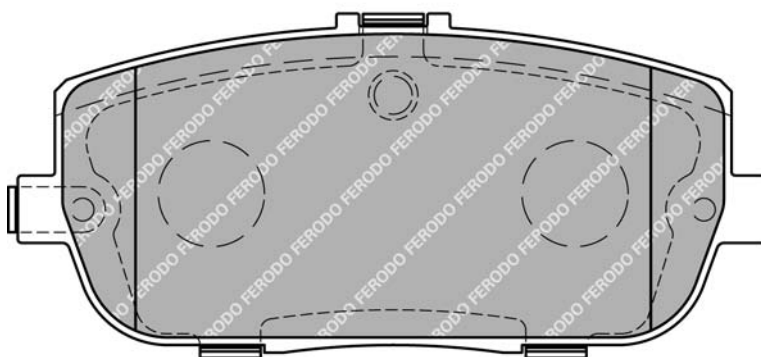
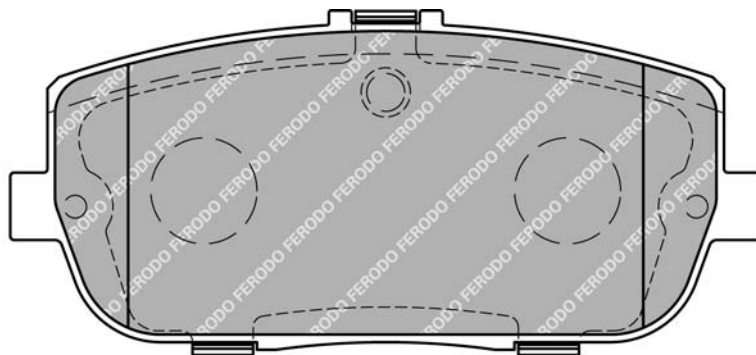


44.8mm

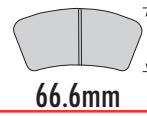
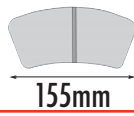


14.5mm

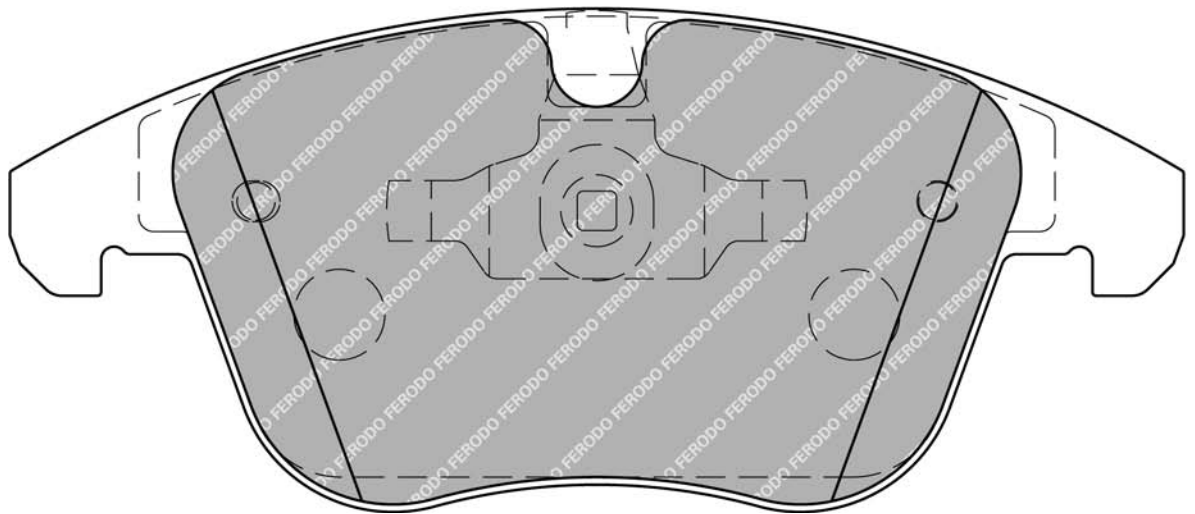
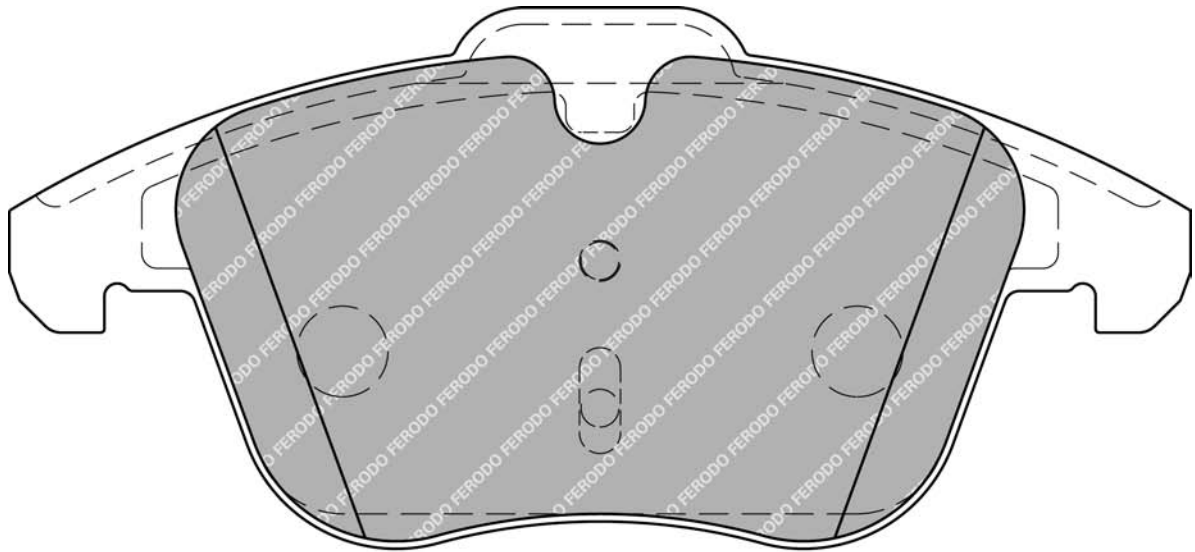
MAZDA



FDB1897



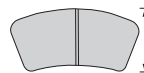
LANDROVER



FDB1900



121.4mm

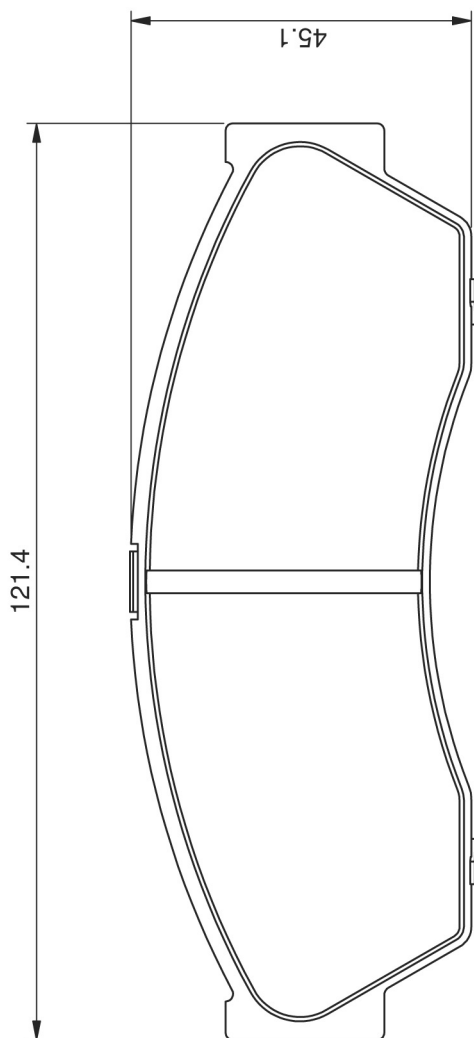
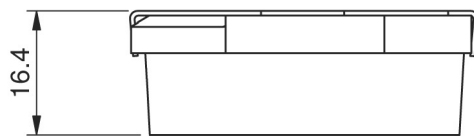


45.1mm

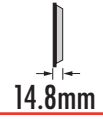
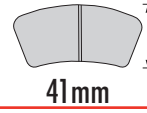
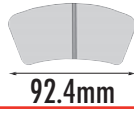


16.4mm

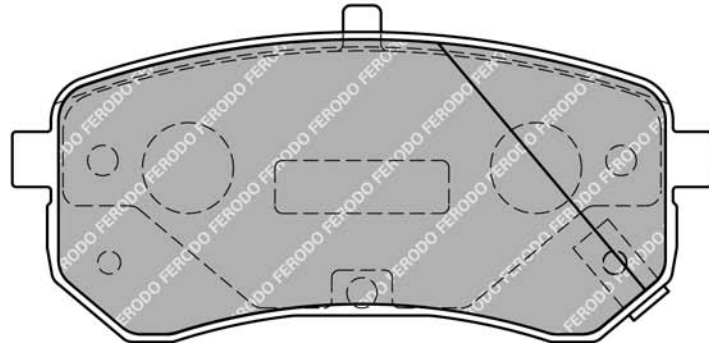
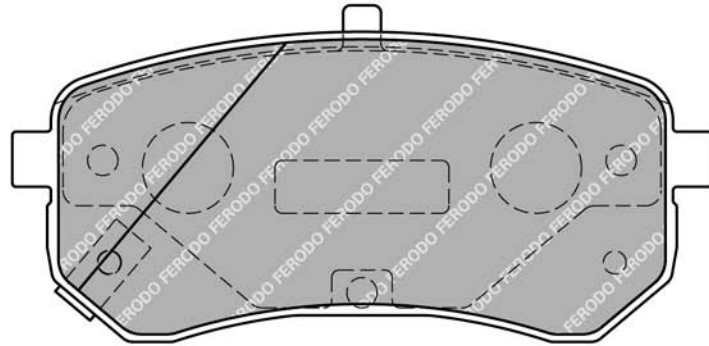
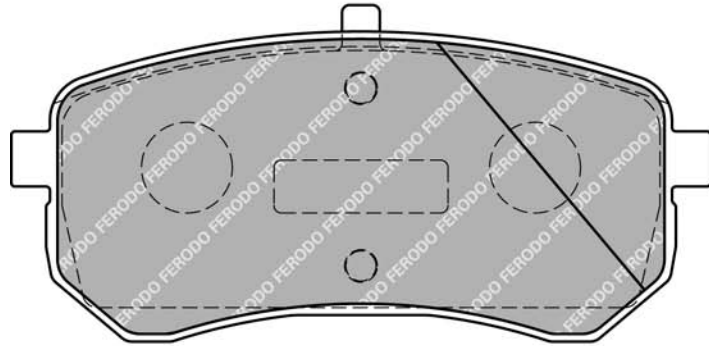
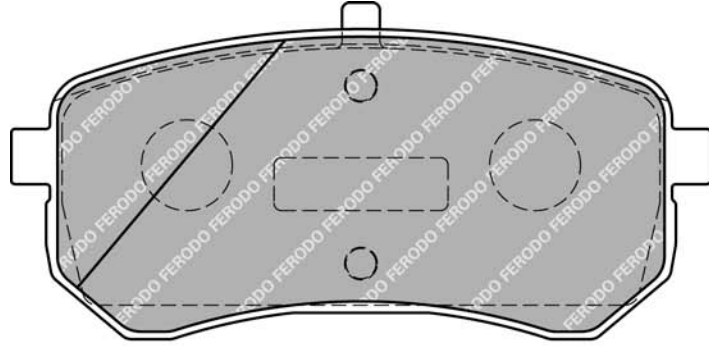
TATA



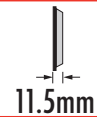
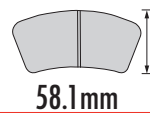
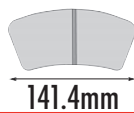
FDB1902



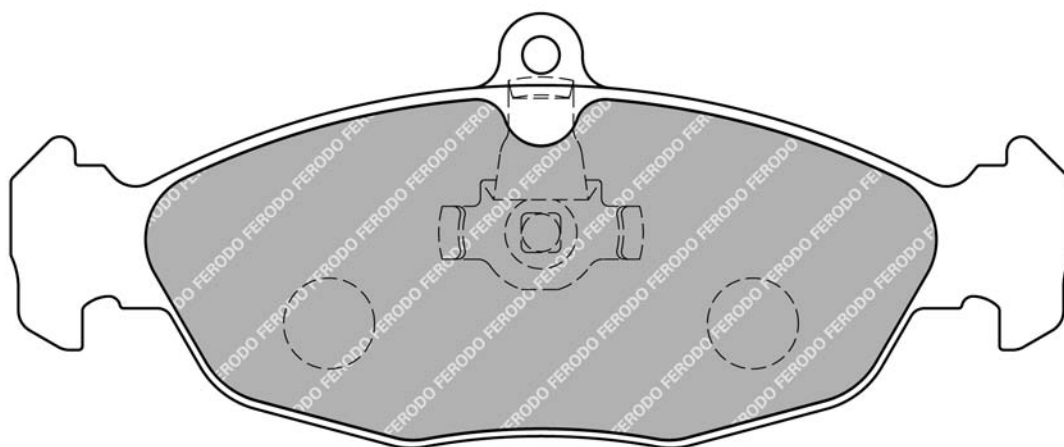
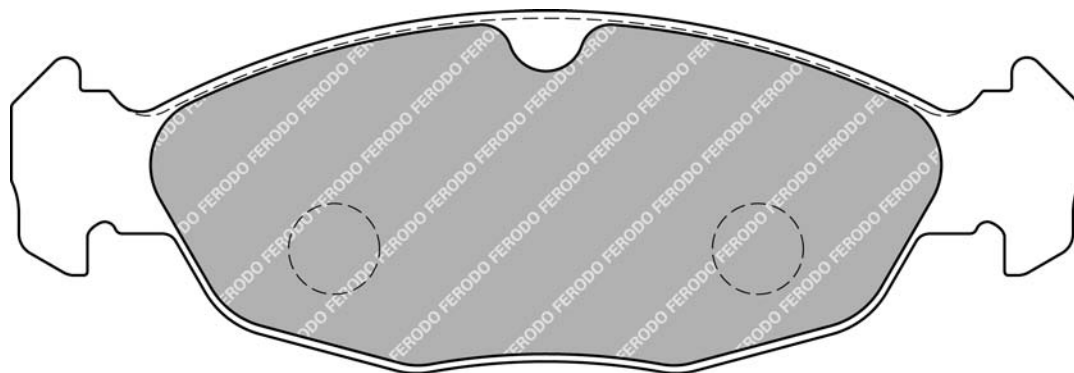
KIA



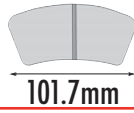
FDB1903



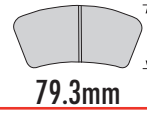
JAGUAR



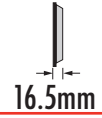
FDB1907



101.7mm

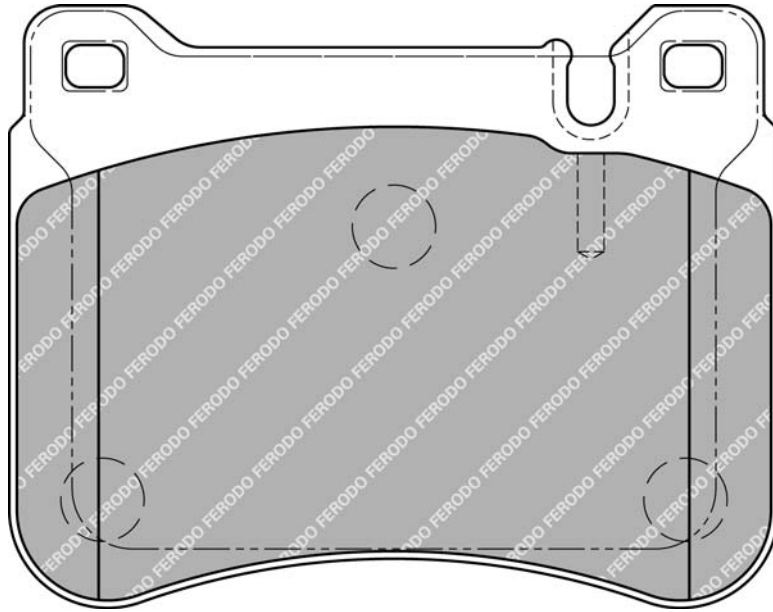


79.3mm

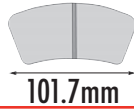


16.5mm

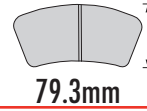
MERCEDES BENZ



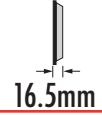
FDB1910



101.7mm

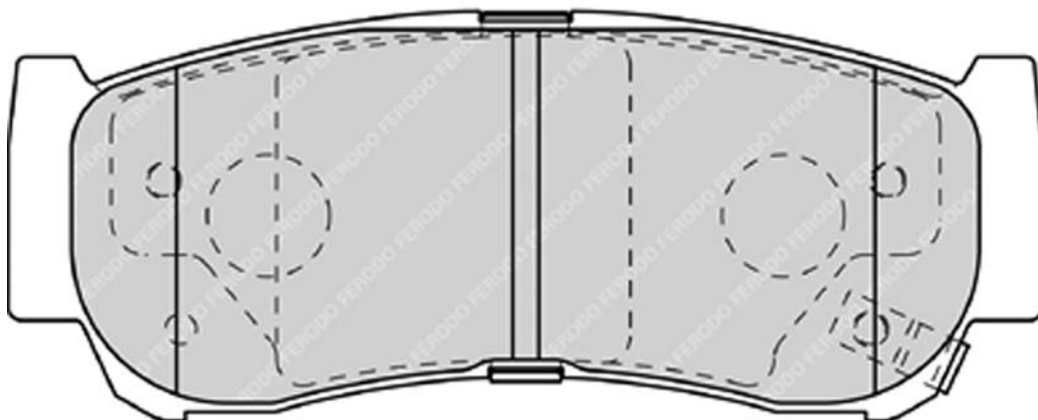
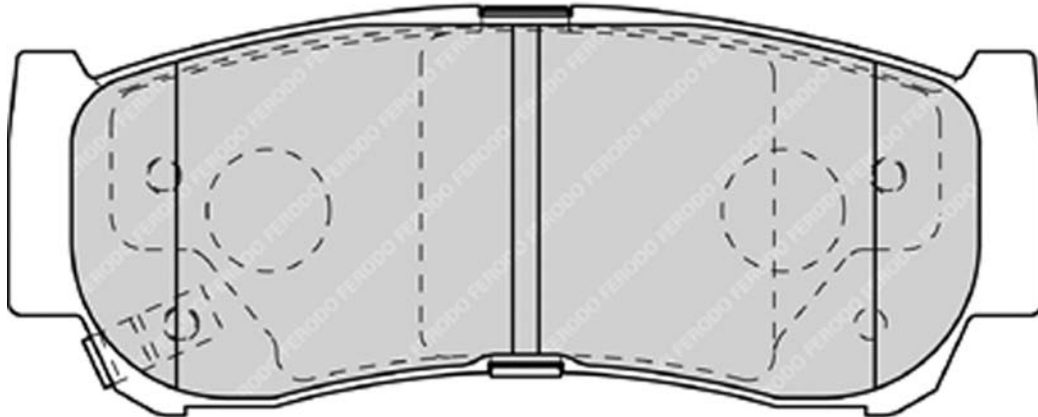


79.3mm

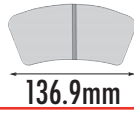


16.5mm

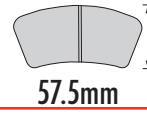
HYUNDAI



FDB1919



136.9mm

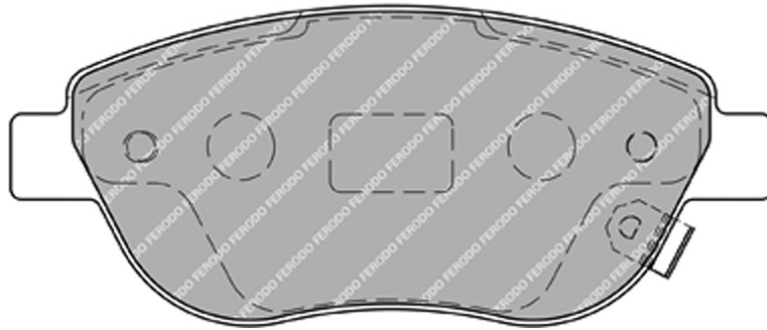
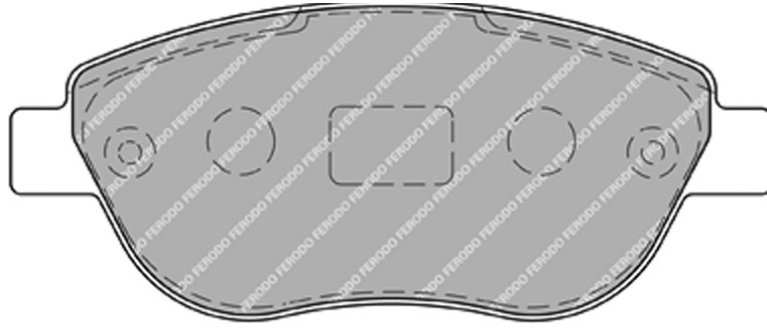


57.5mm

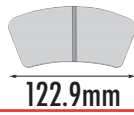


19.1mm

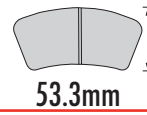
CORSA



FDB1920



122.9mm

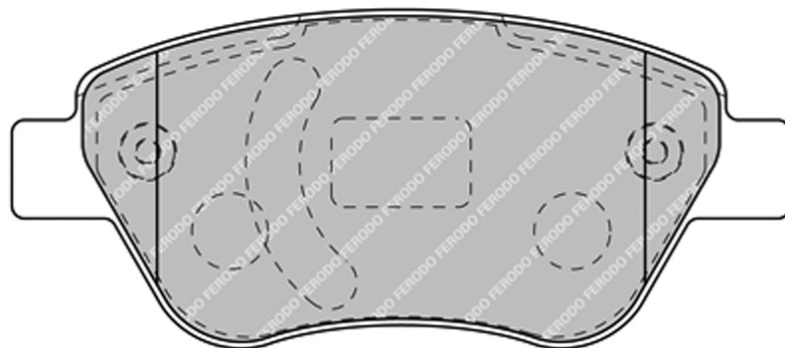
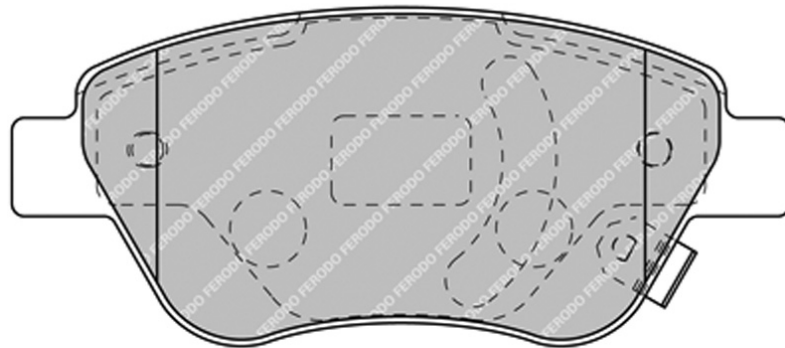


53.3mm

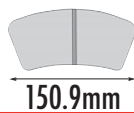


17.7/17.9mm

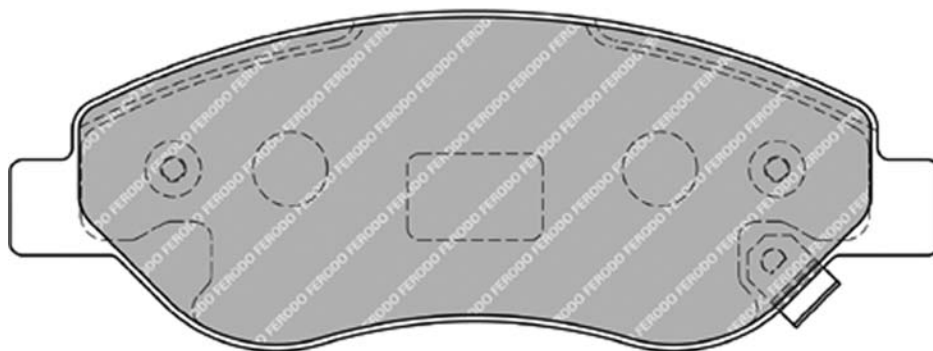
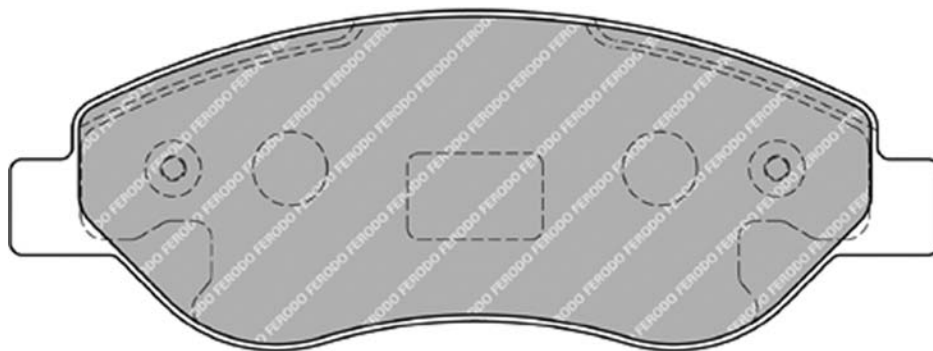
CORSA



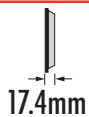
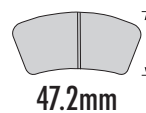
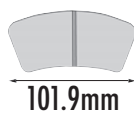
FDB1921



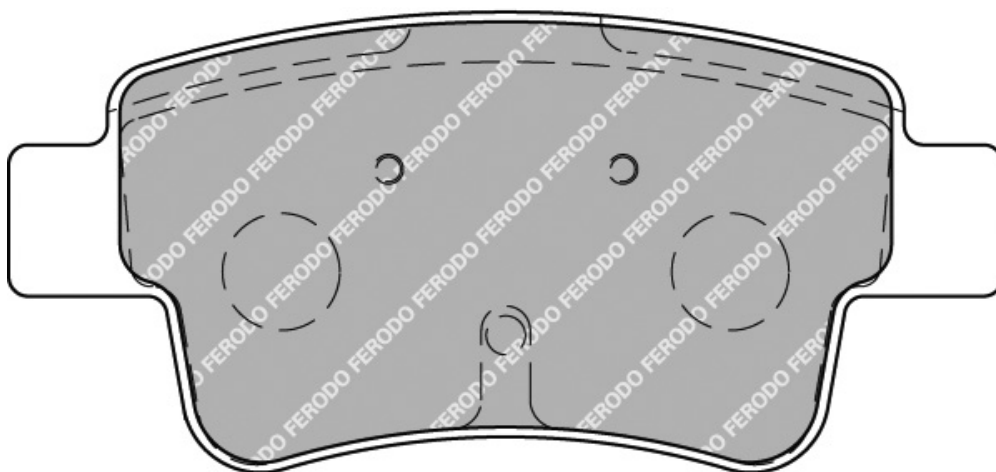
RENAULT



FDB1922



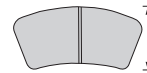
RENAULT



FDB1931



123mm

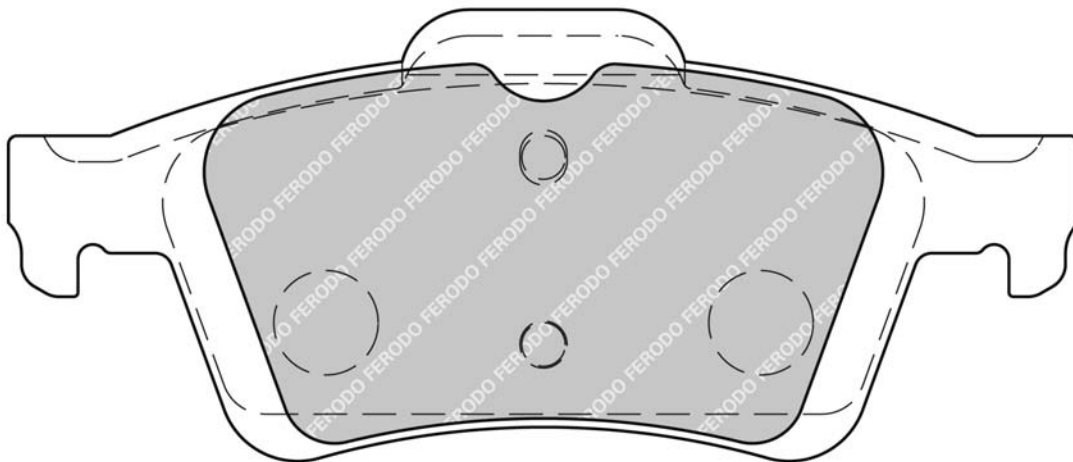


52mm

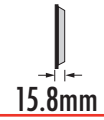
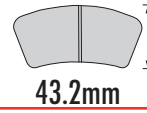
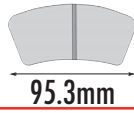


16.4mm

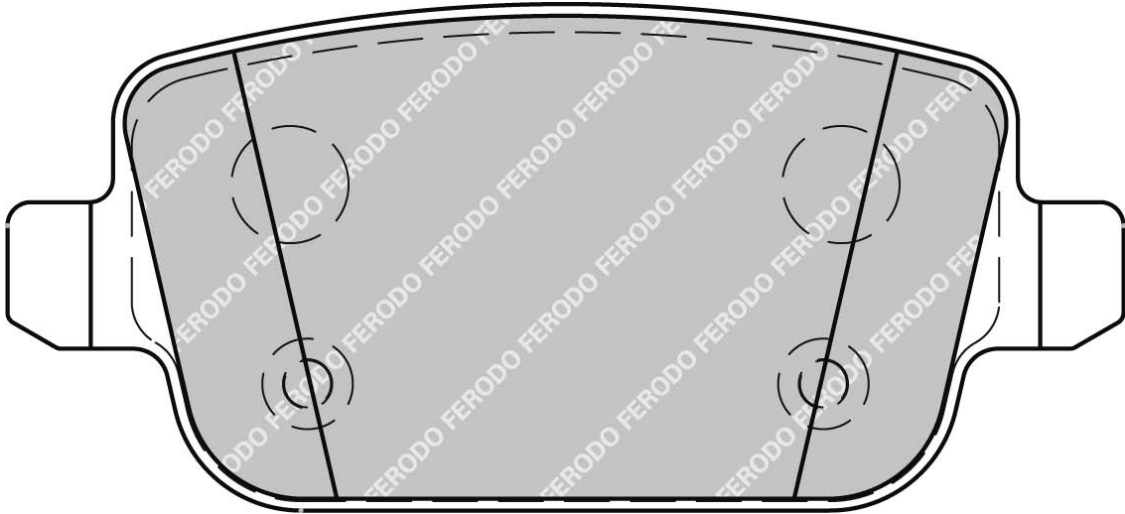
FORD, MAZDA, VOLVO



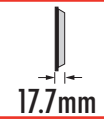
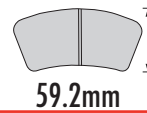
FDB1932



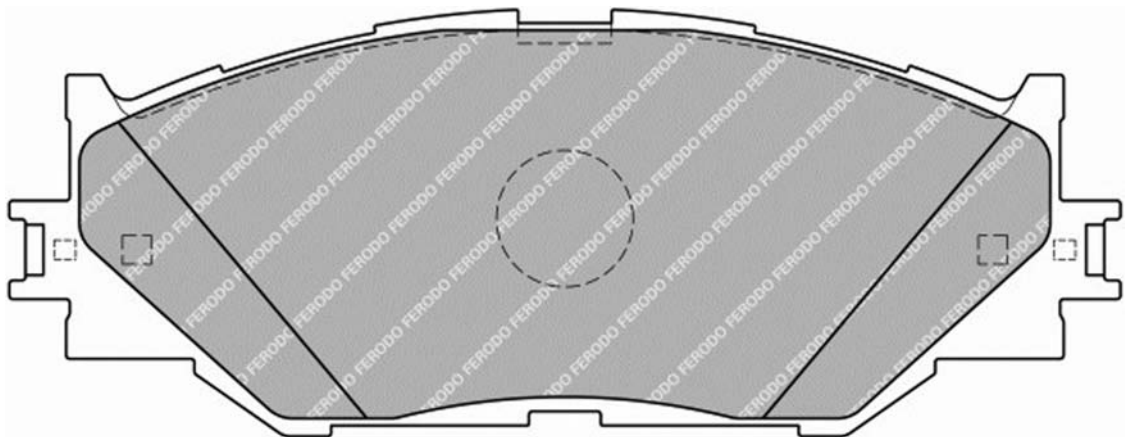
LANDROVER



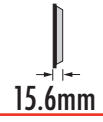
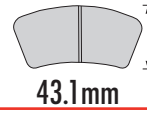
FDB1936



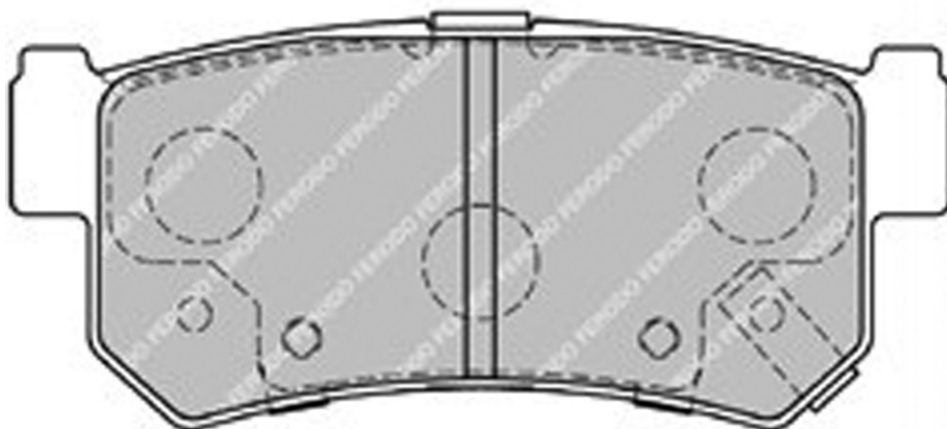
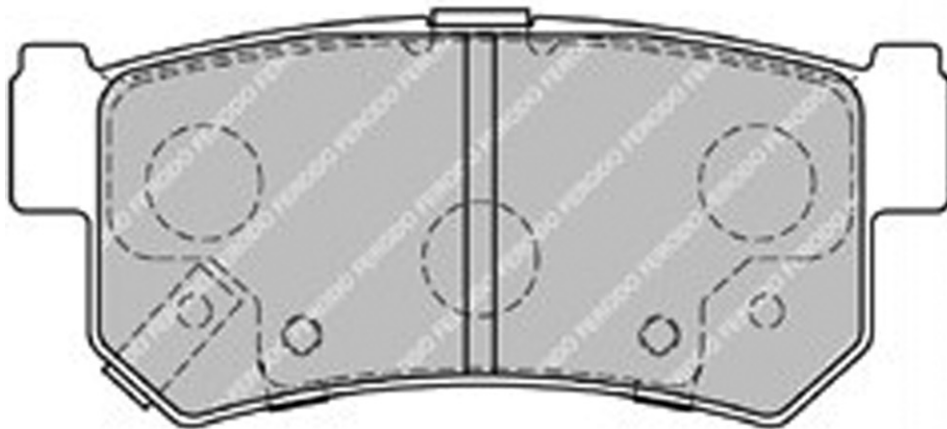
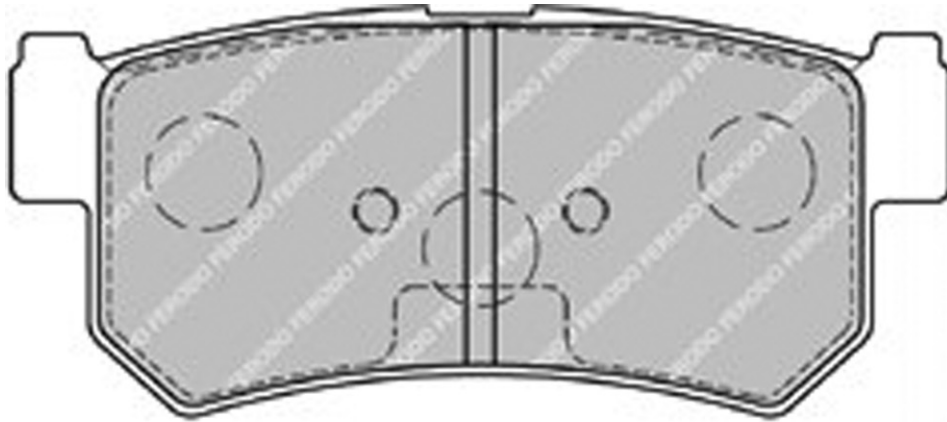
LEXUS



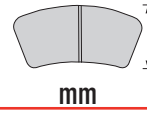
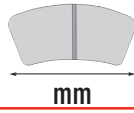
FDB1937



SSANGYONG



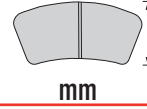
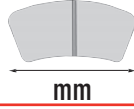
FDB1942



FORD

NO ILLUSTRATION AVAILABLE

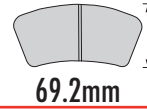
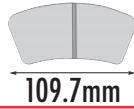
FDB1943



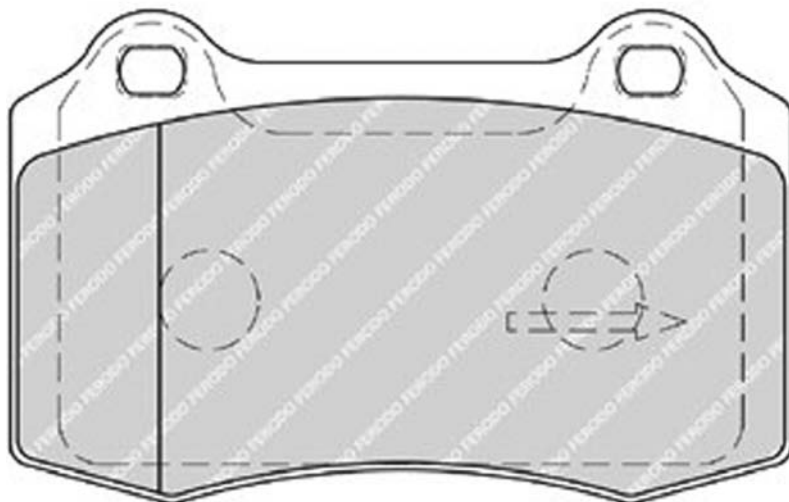
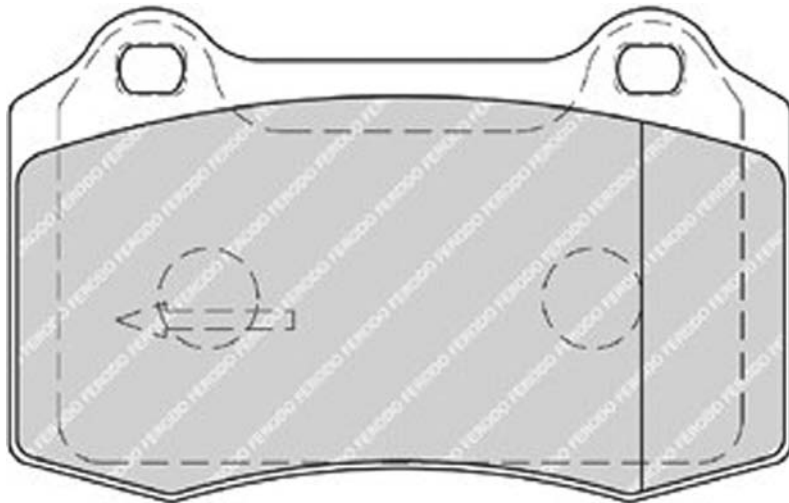
FORD

NO ILLUSTRATION AVAILABLE

FDB1949



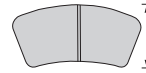
JAGUAR



FDB1950



104.6mm

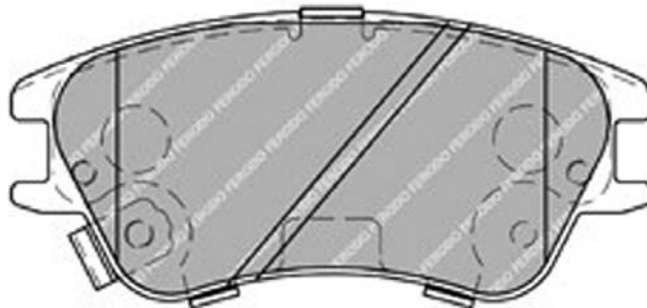
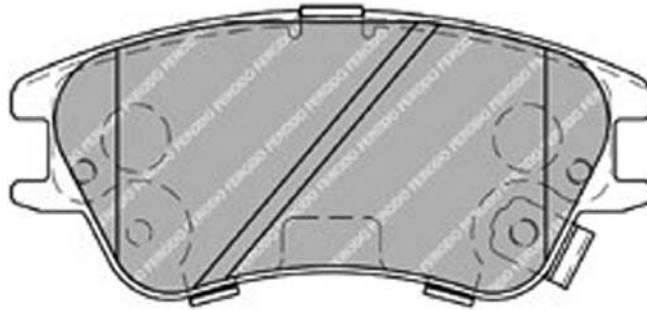
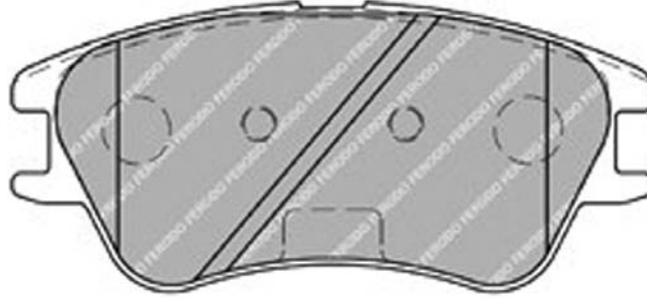


47.4mm



16.4mm

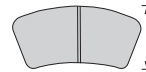
HYUNDAI



FDB1951



131.8mm

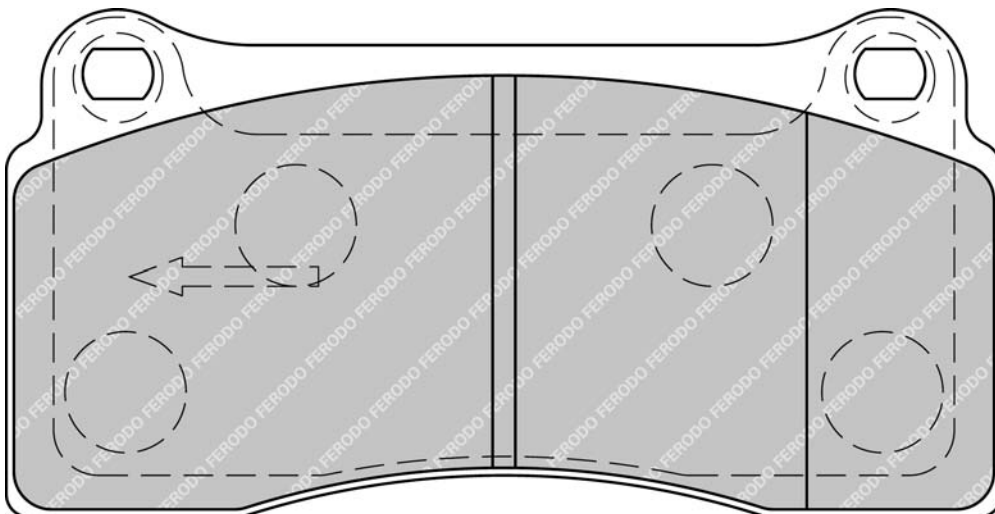


67mm

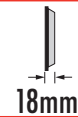
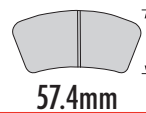
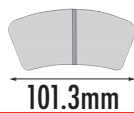


18mm

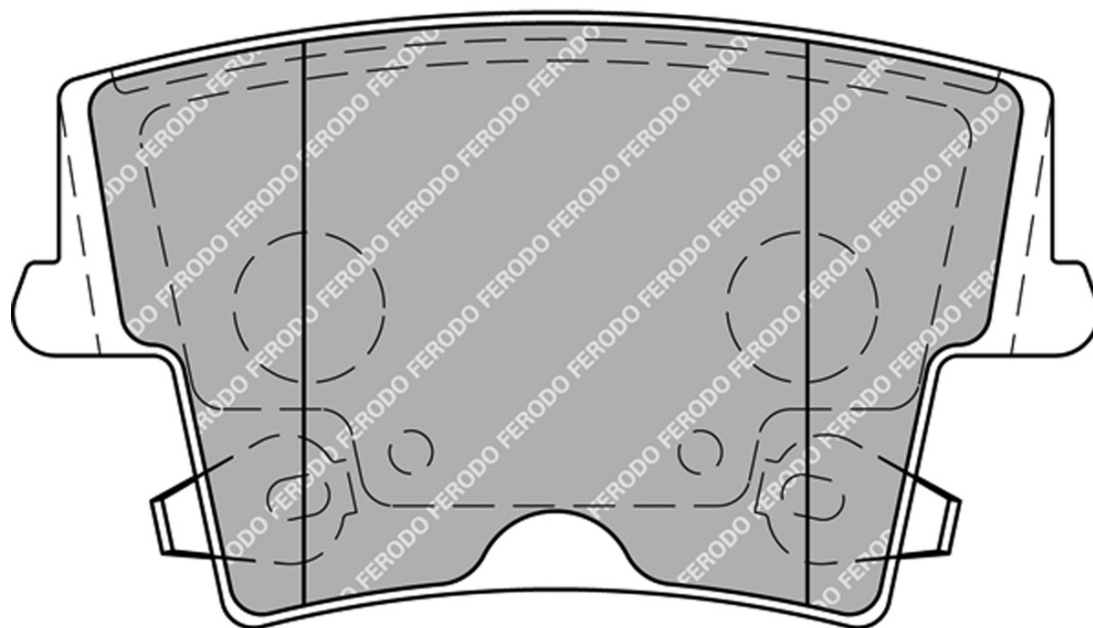
JAGUAR



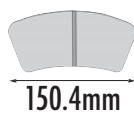
FDB1953



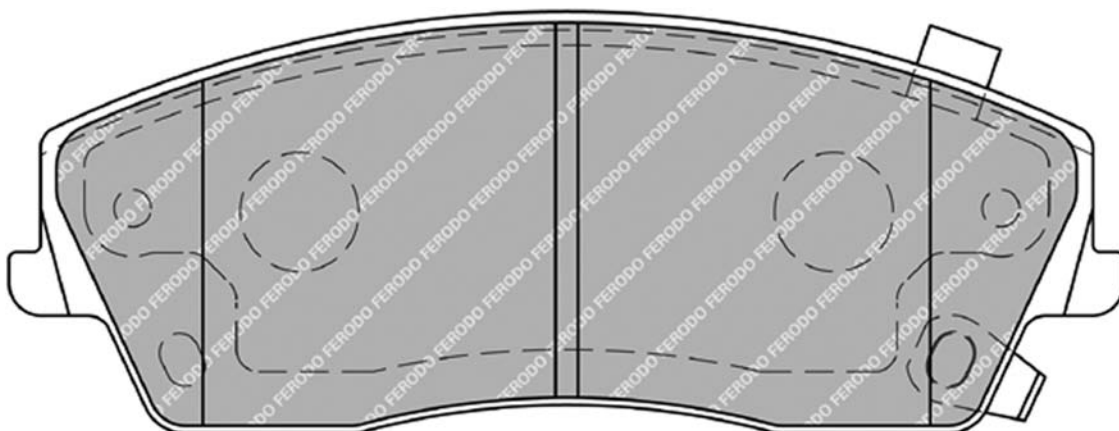
CHRYSLER



FDB1954



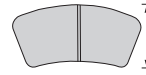
CHRYSLER



FDB1955



129.8mm

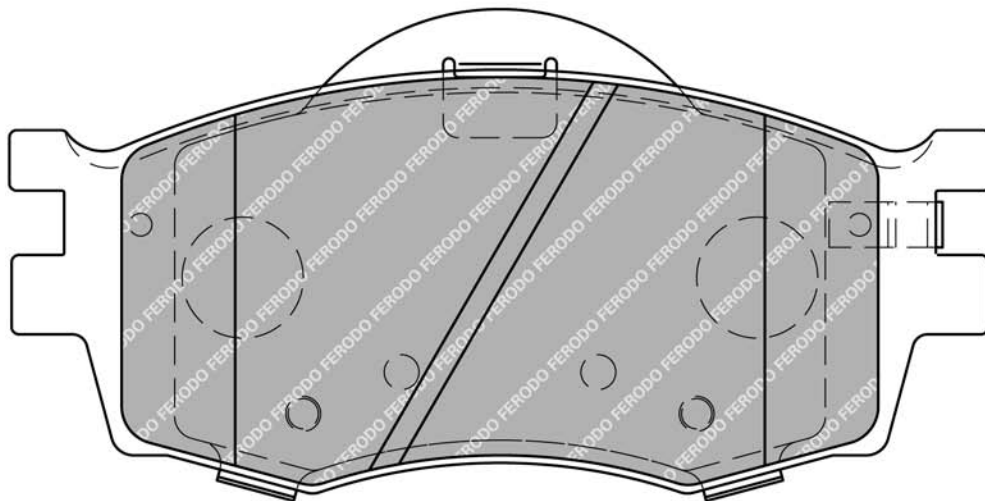
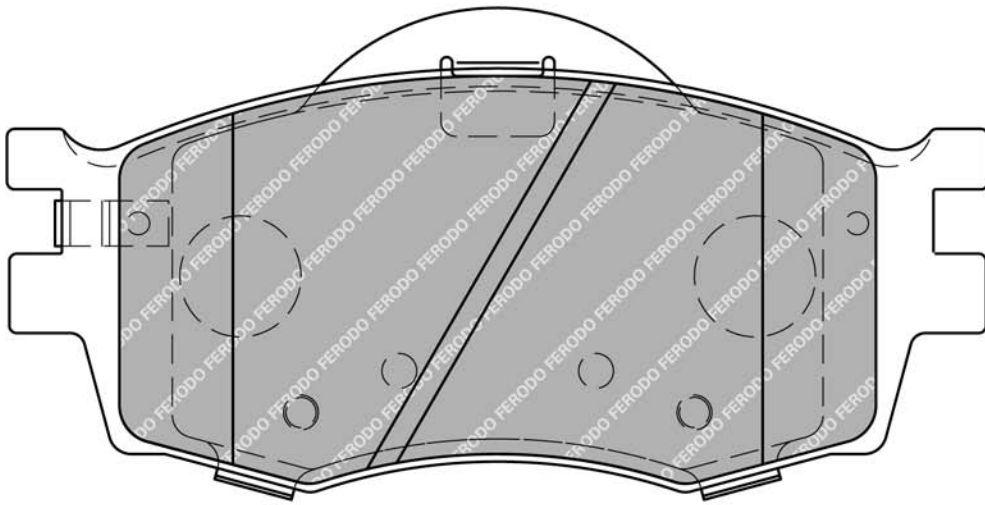
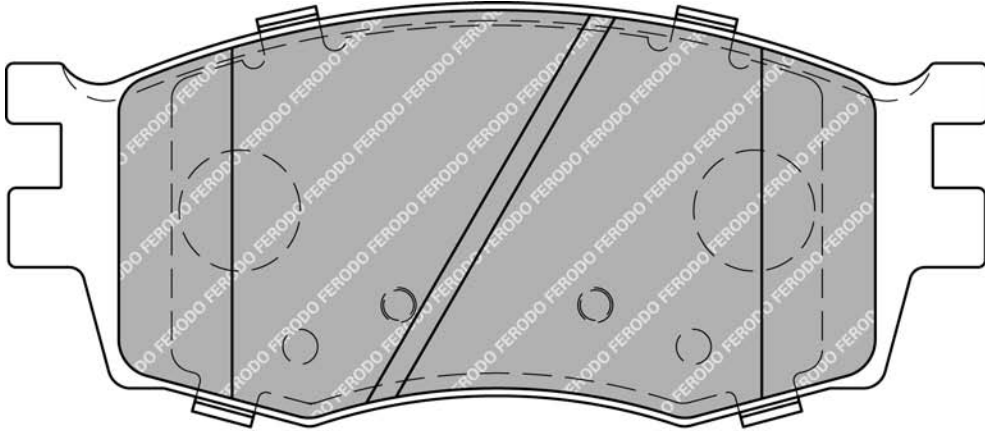


56mm

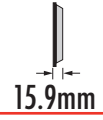
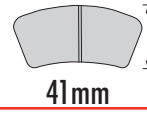
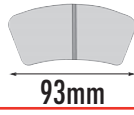


17.5mm

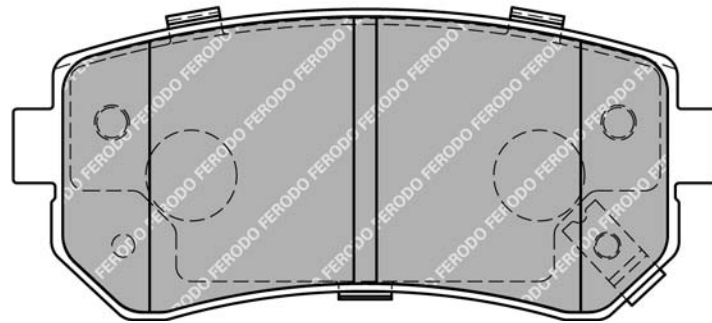
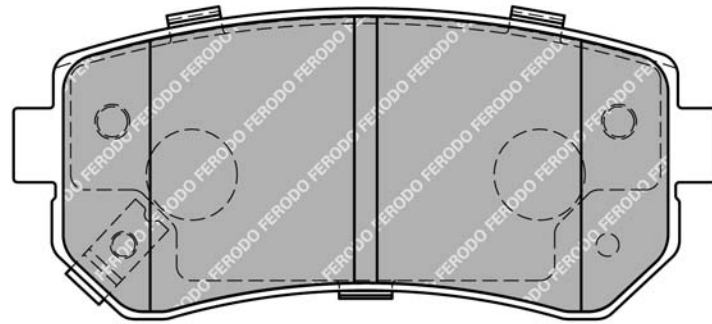
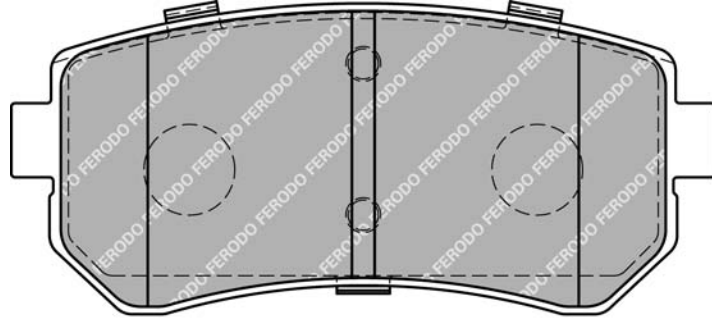
HYUNDAI, KIA



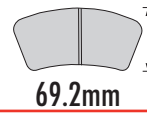
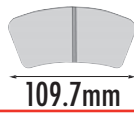
FDB1956



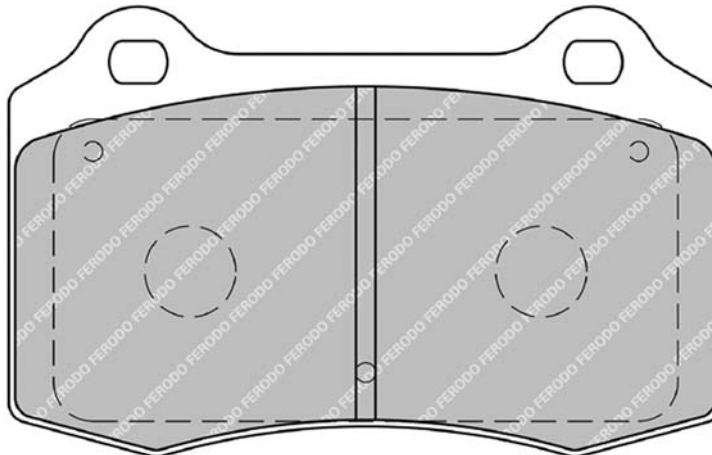
HYUNDAI, KIA



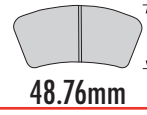
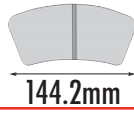
FDB1957



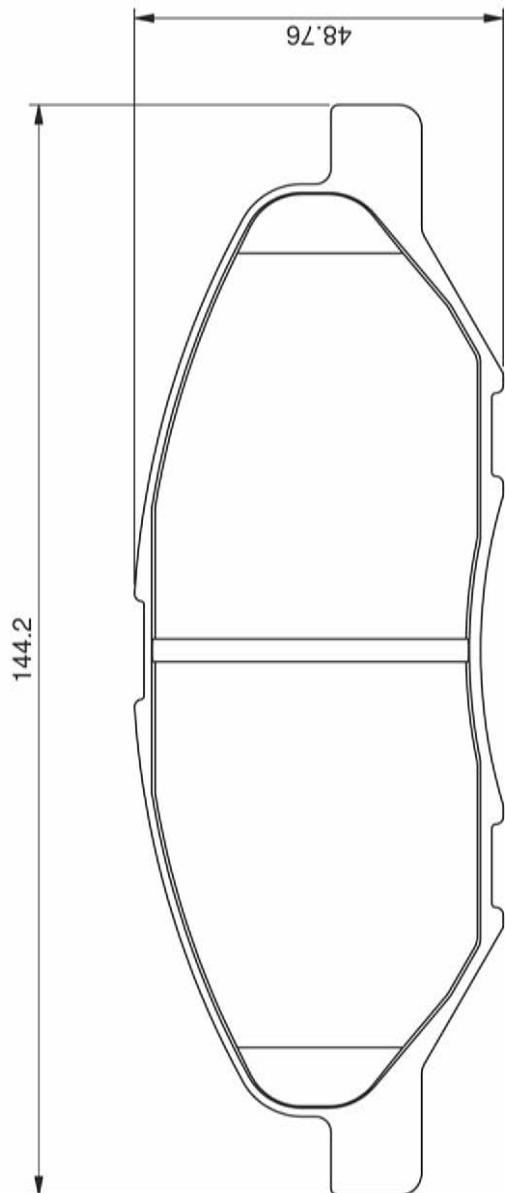
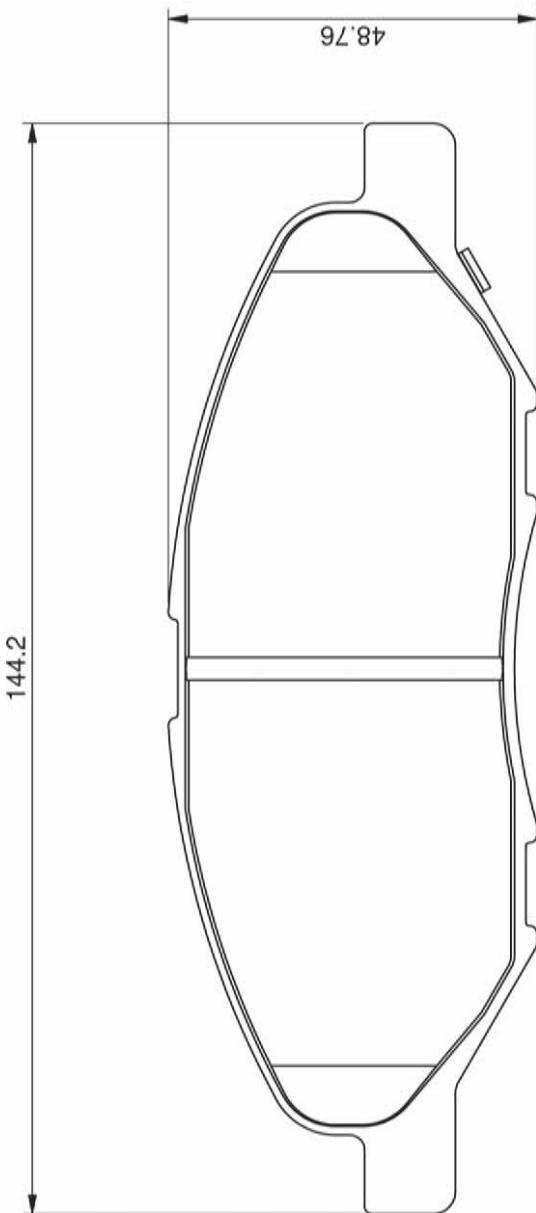
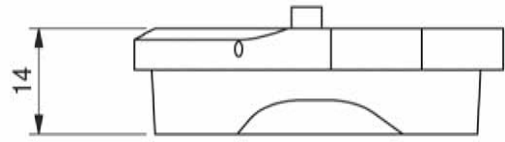
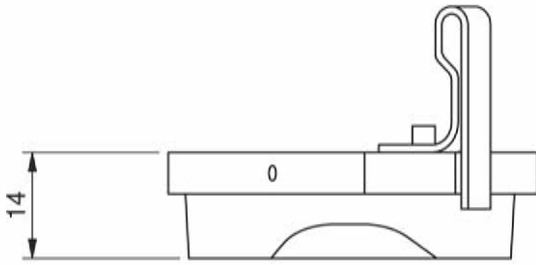
SEAT



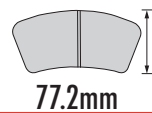
FDB1965



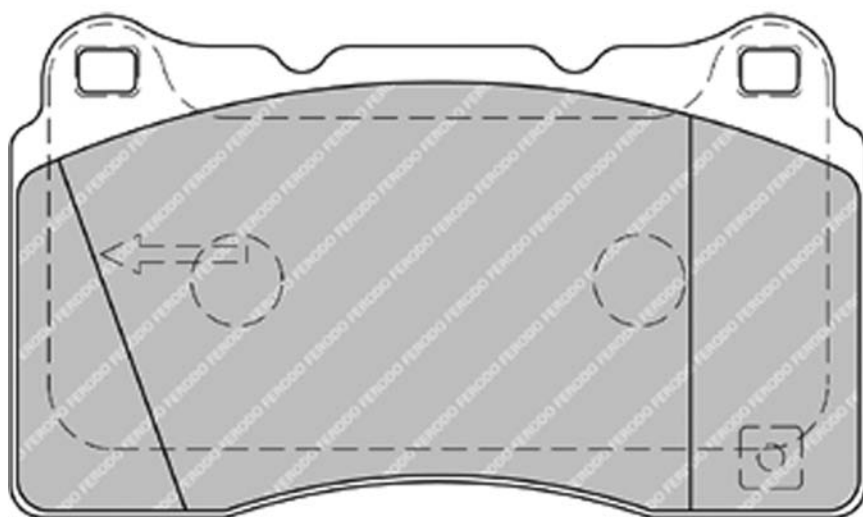
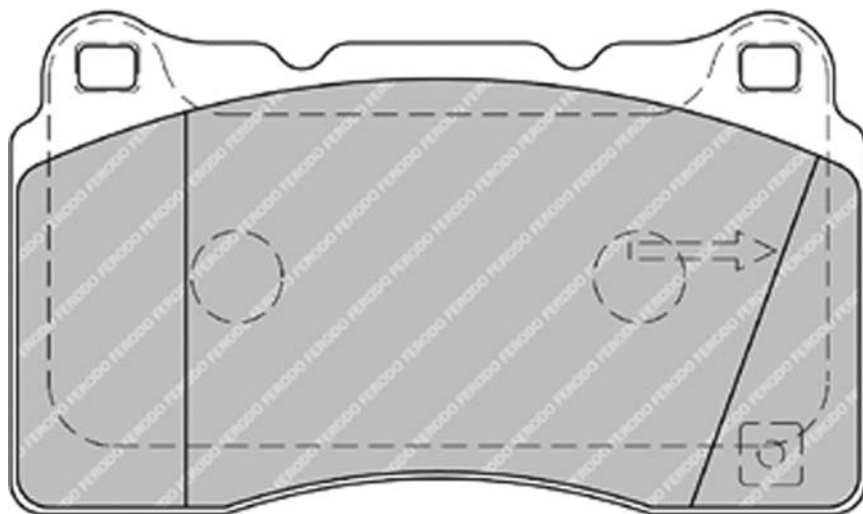
NISSAN



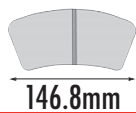
FDB1968



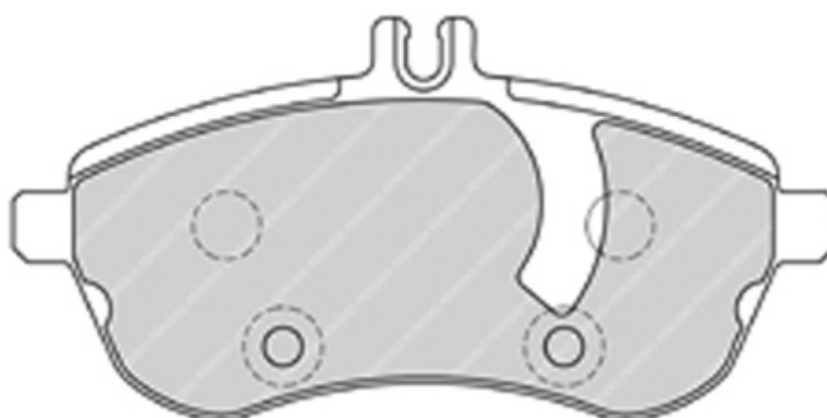
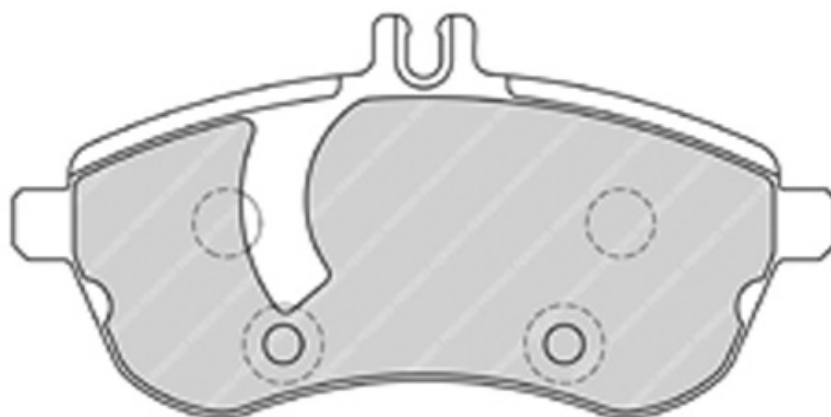
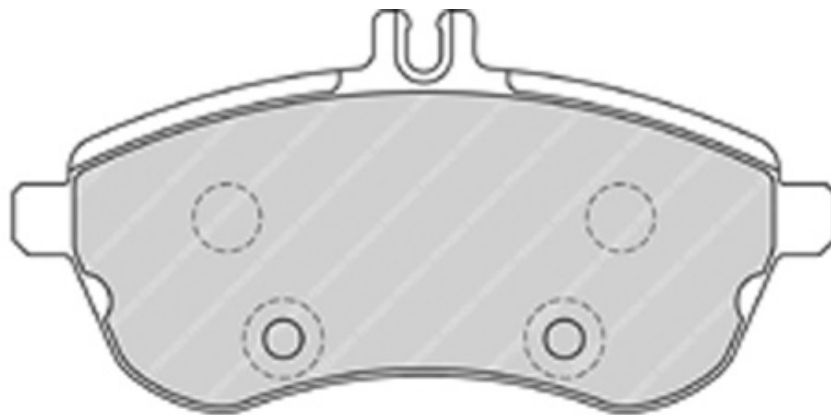
MITSUBISHI



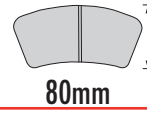
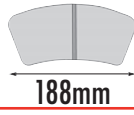
FDB1978



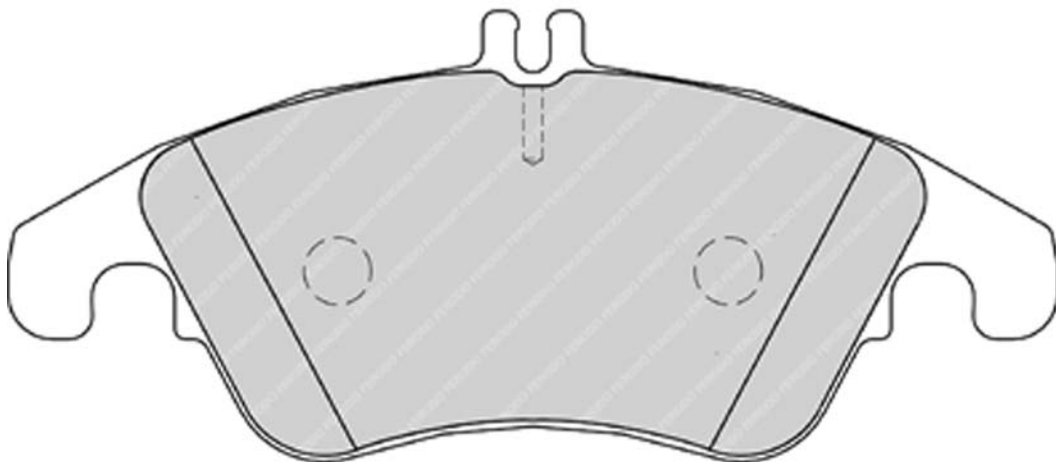
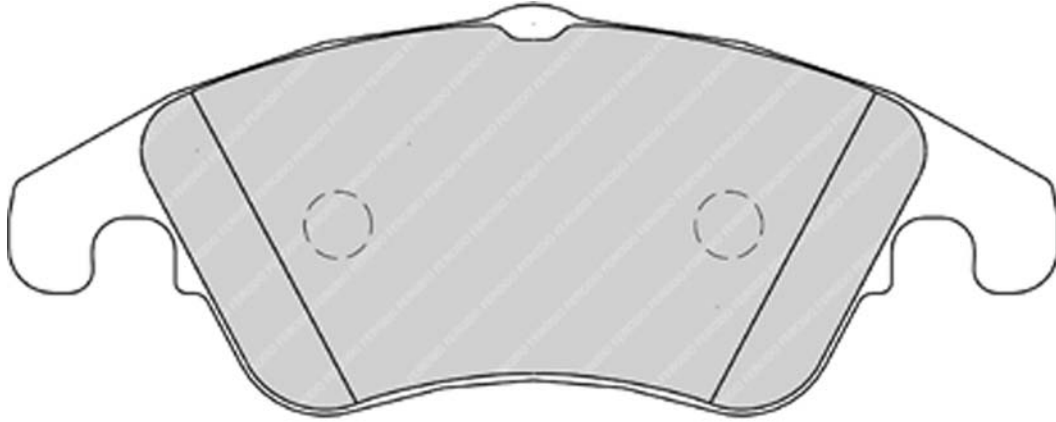
MERCEDES BENZ



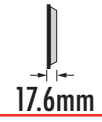
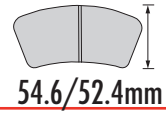
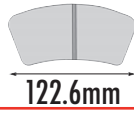
FDB1979



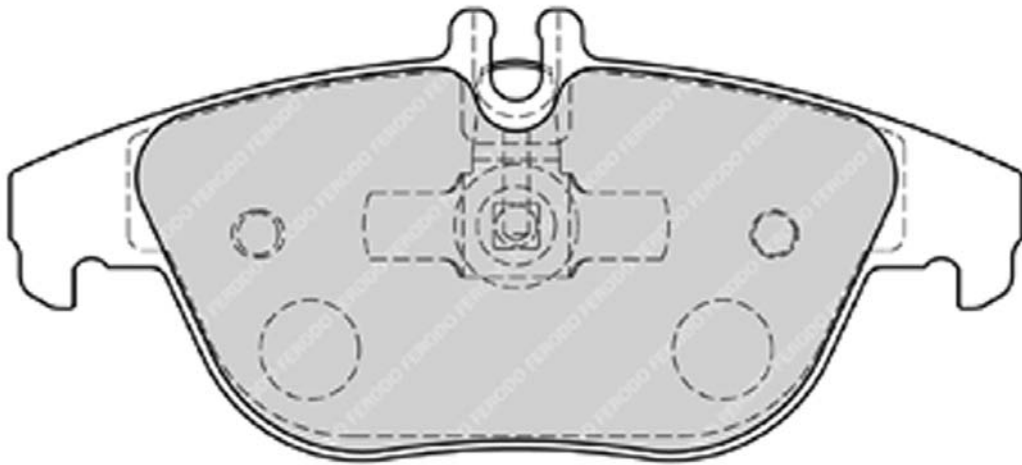
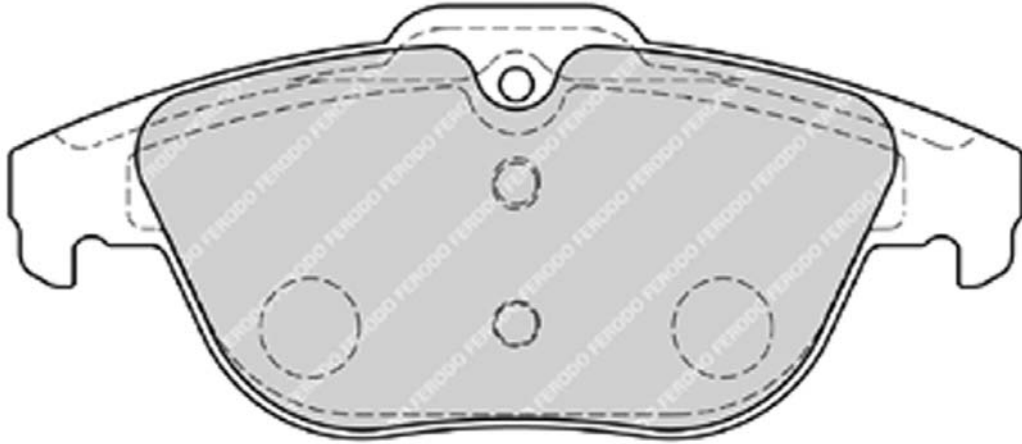
MERCEDES BENZ



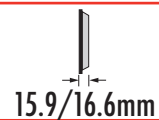
FDB1980



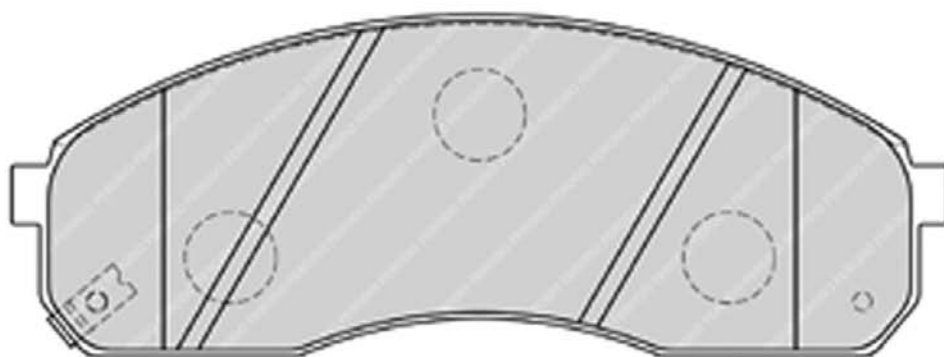
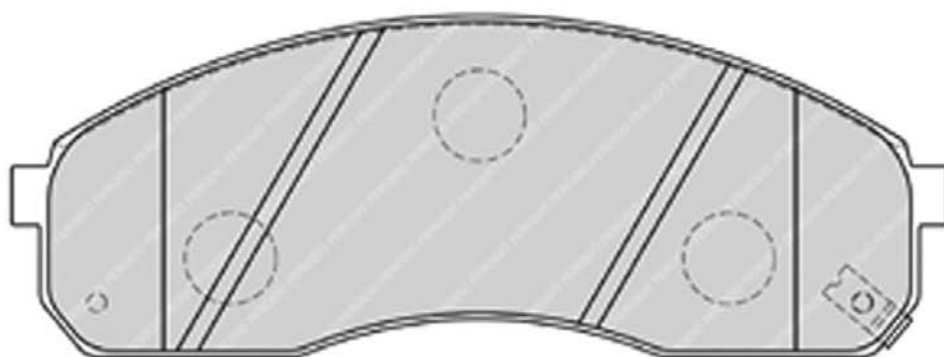
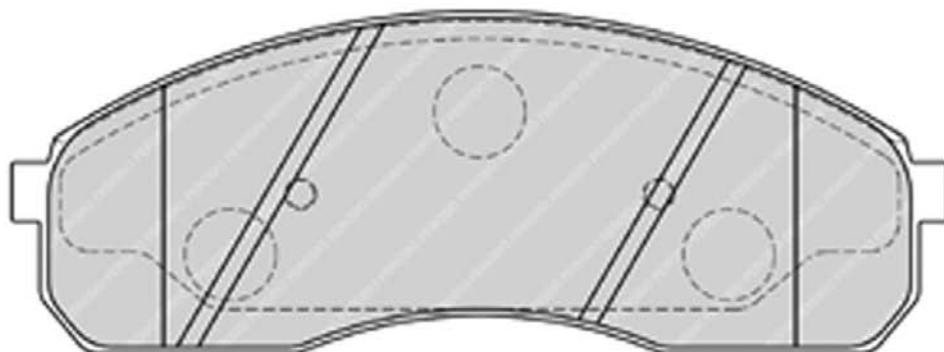
MERCEDES BENZ



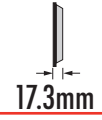
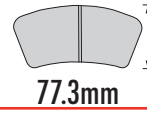
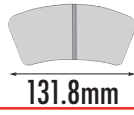
FDB1990



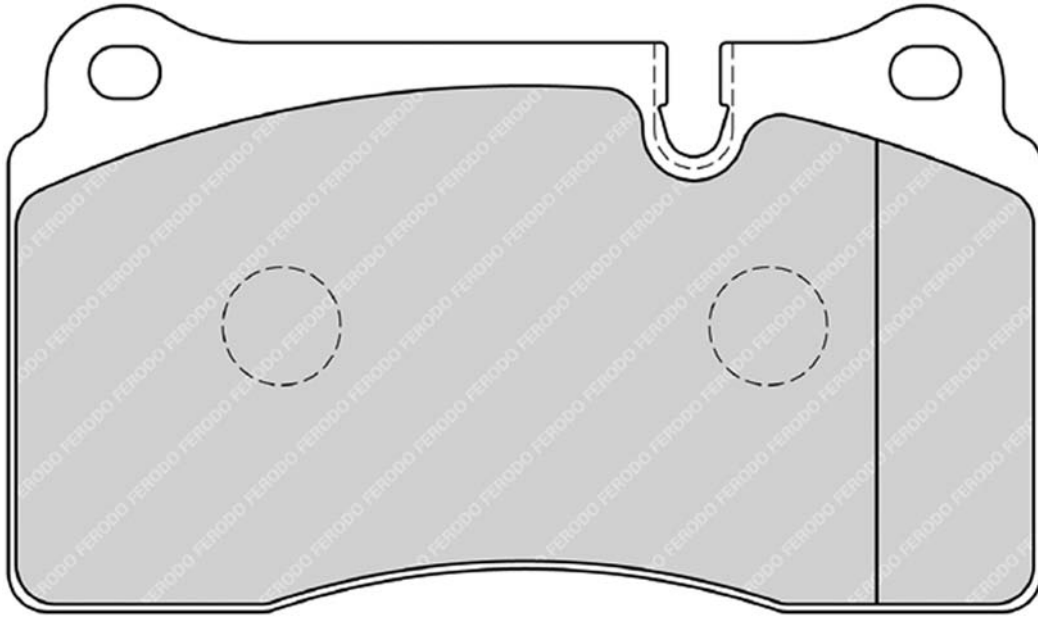
KIA



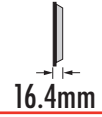
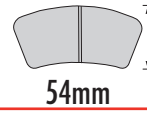
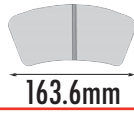
FDB1996



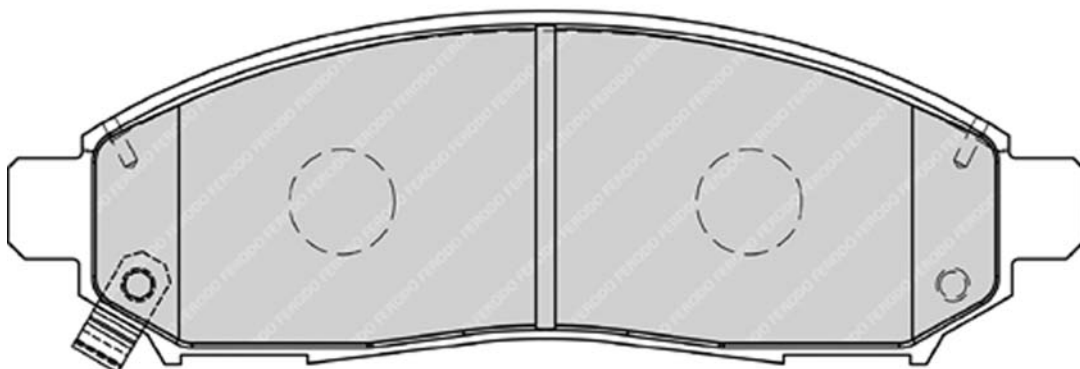
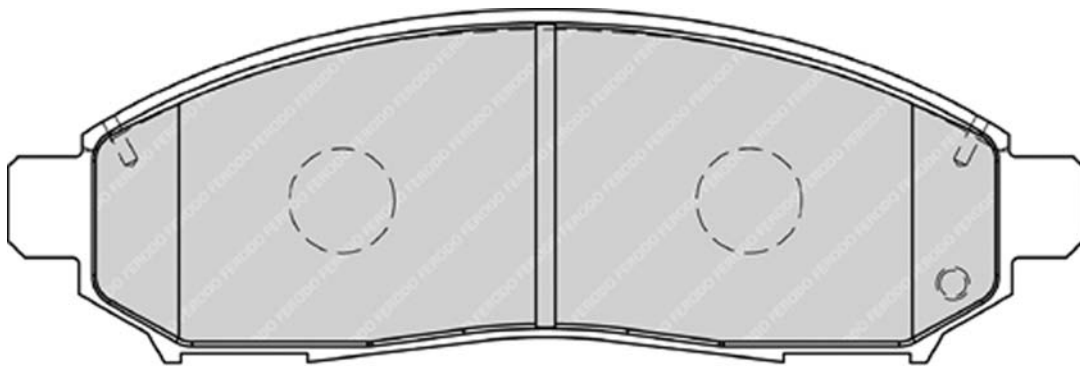
RANGE ROVER SPORT



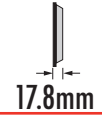
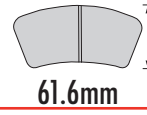
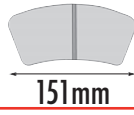
FDB1997



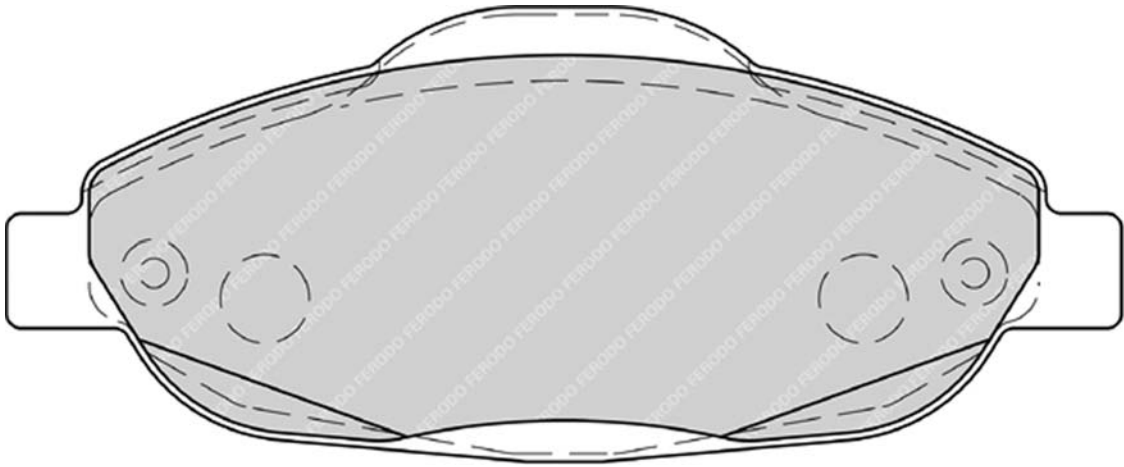
NISSAN



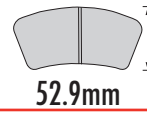
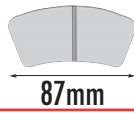
FDB4003



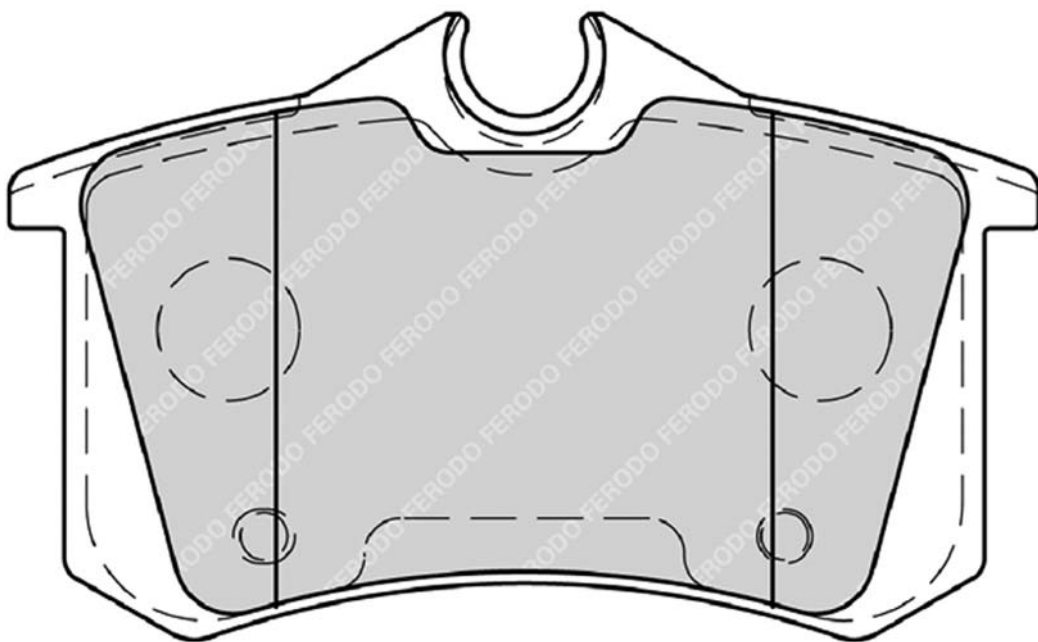
PEUGEOT



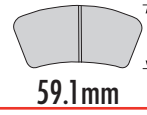
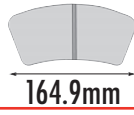
FDB4004



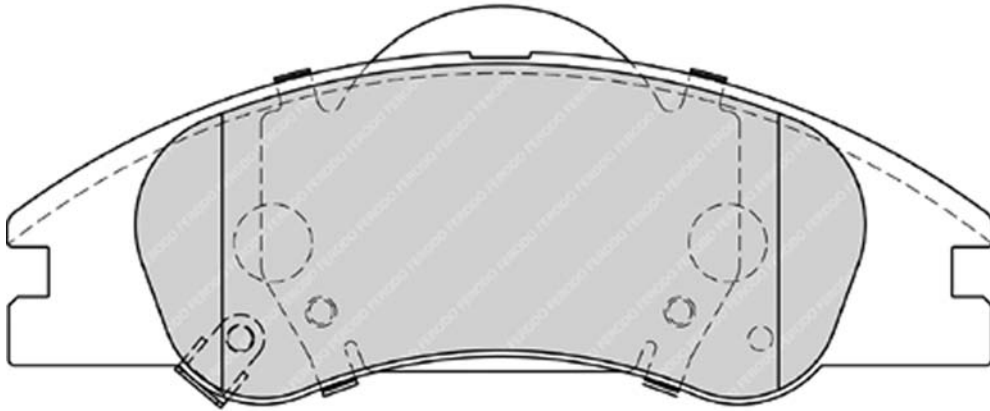
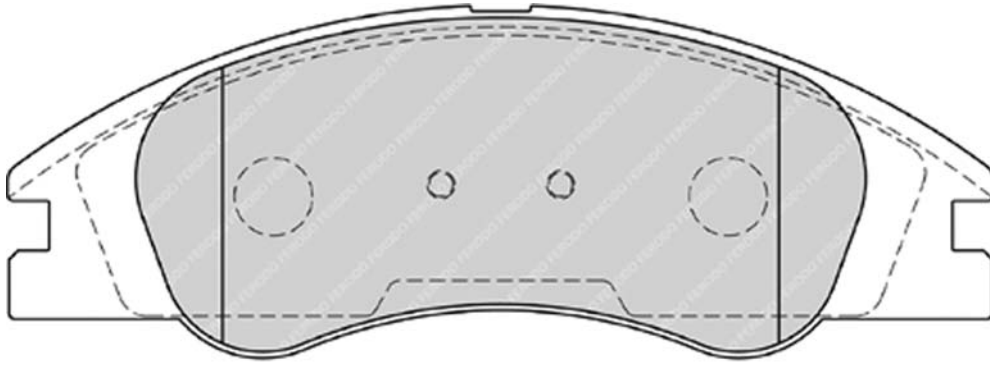
PEUGEOT



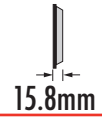
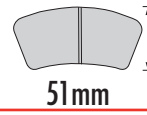
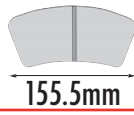
FDB4014



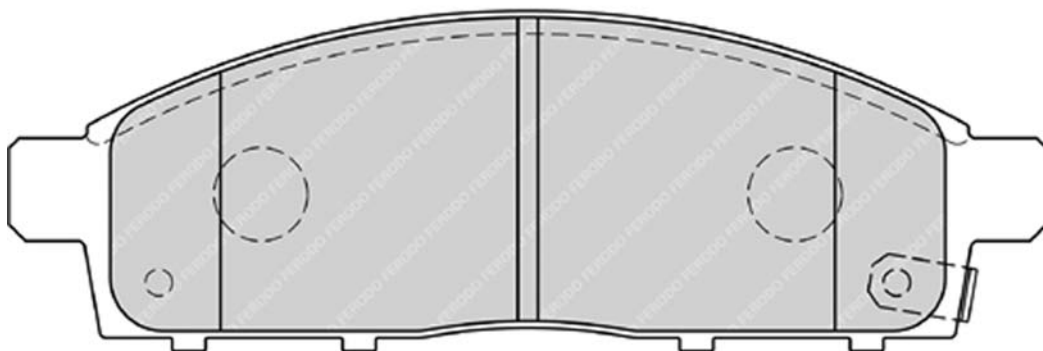
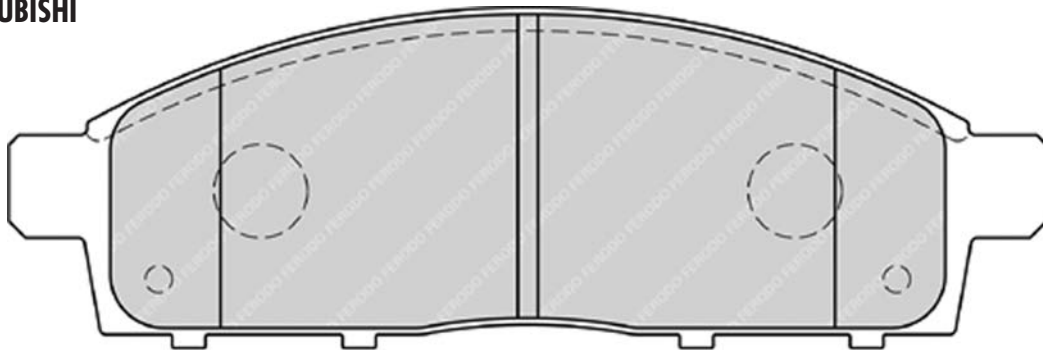
KIA



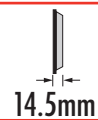
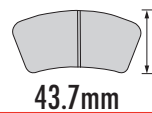
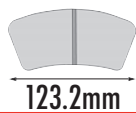
FDB4023



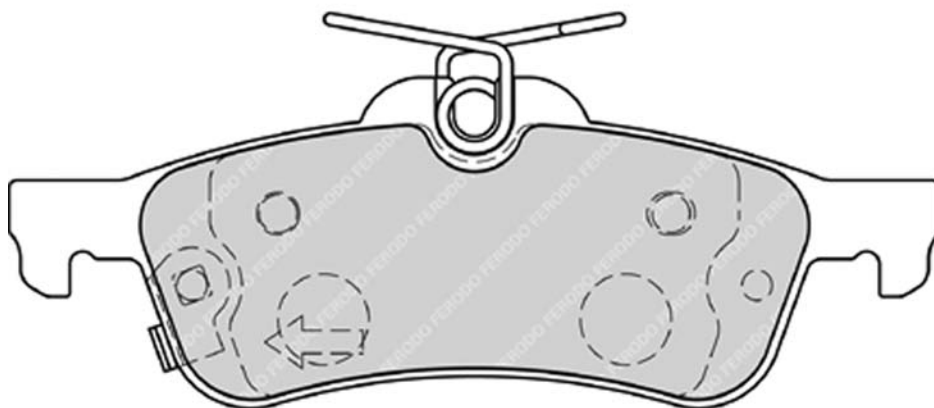
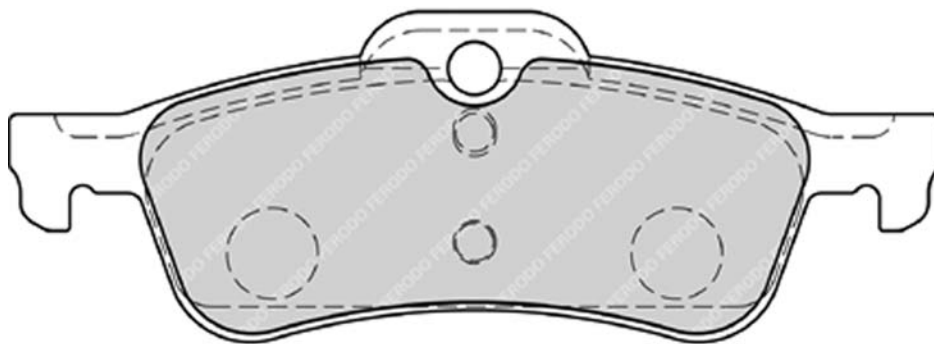
MITSUBISHI



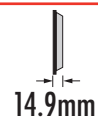
FDB4041



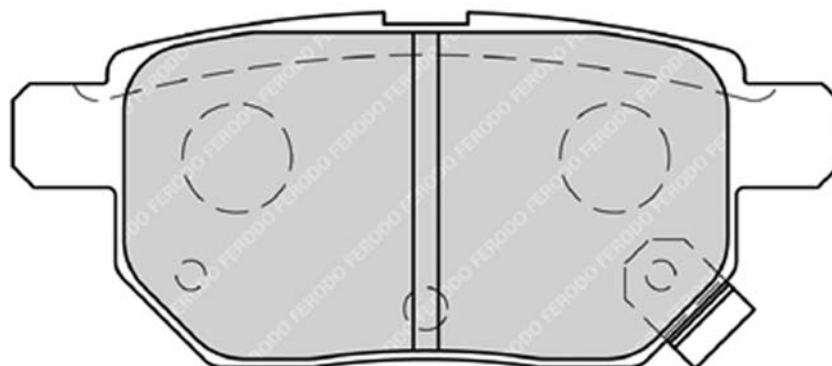
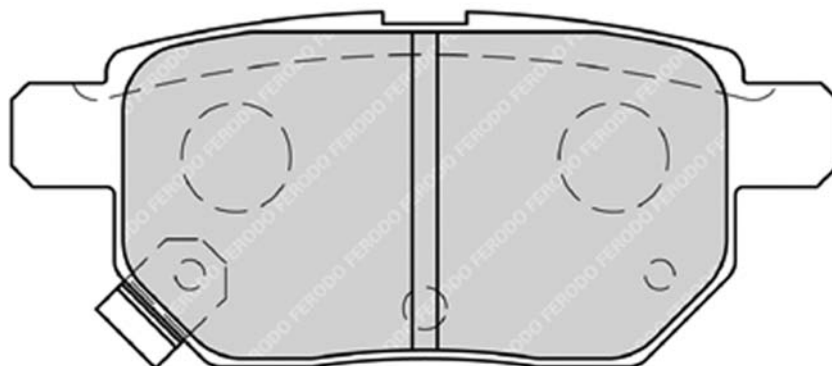
TOYOTA



FDB4042



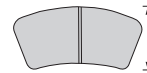
TOYOTA



FDB4047



150.9mm

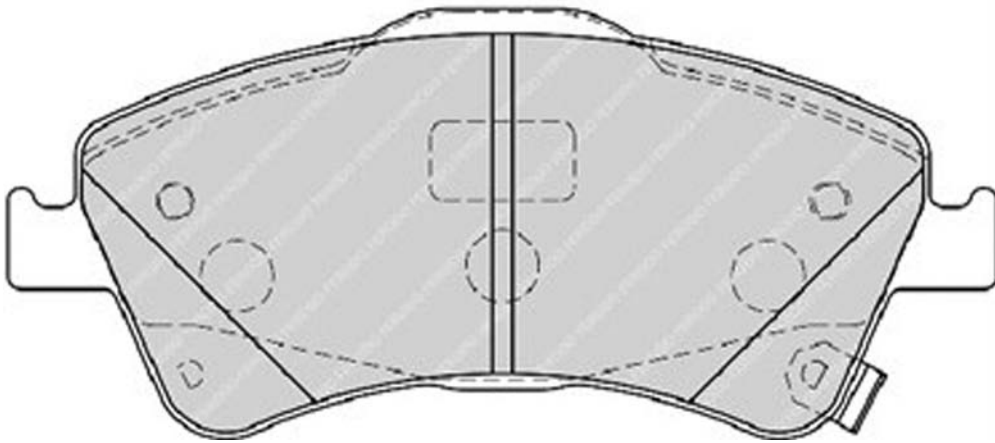
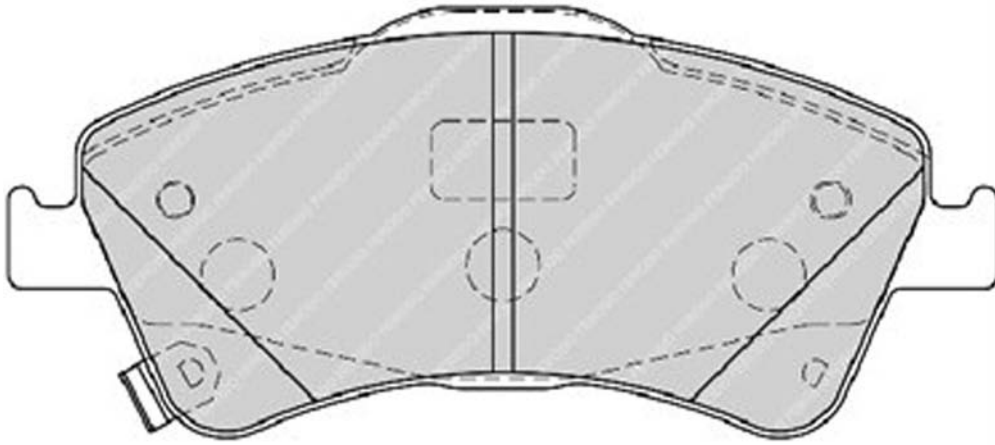


62.8/65.6mm

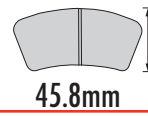
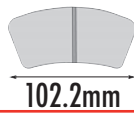


19.1mm

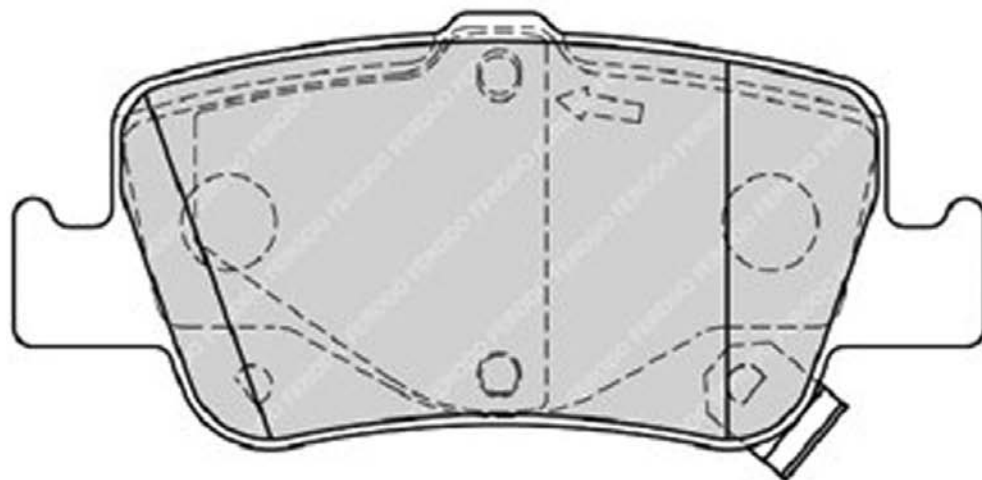
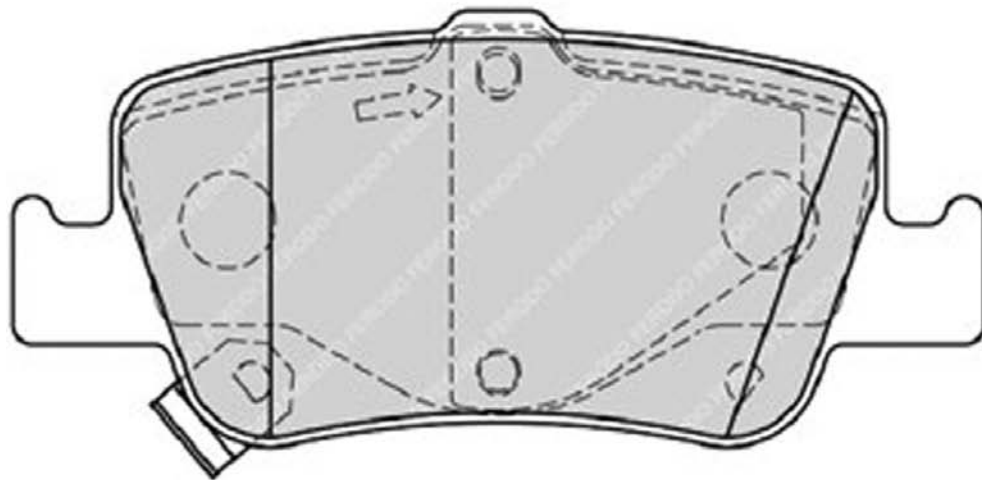
TOYOTA



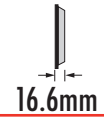
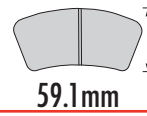
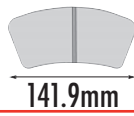
FDB4048



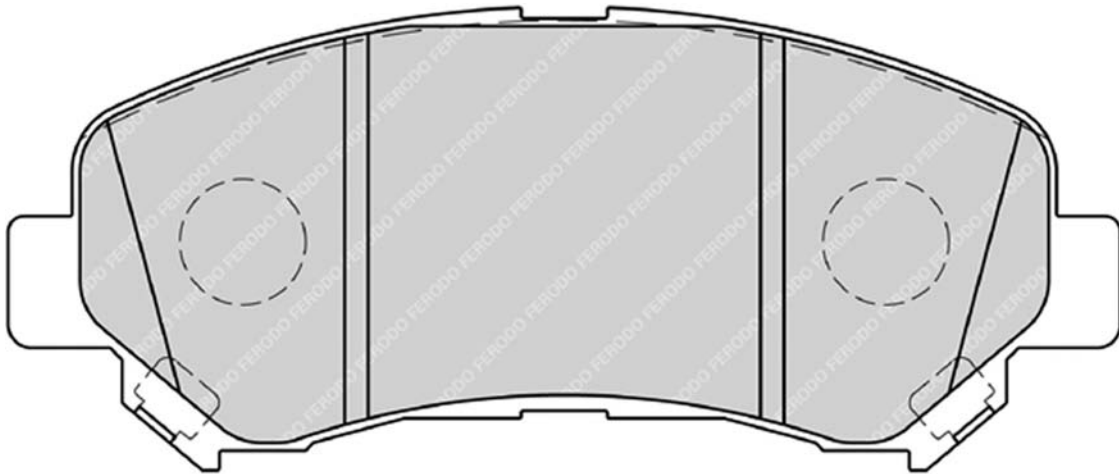
TOYOTA



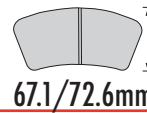
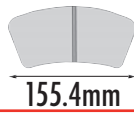
FDB4051



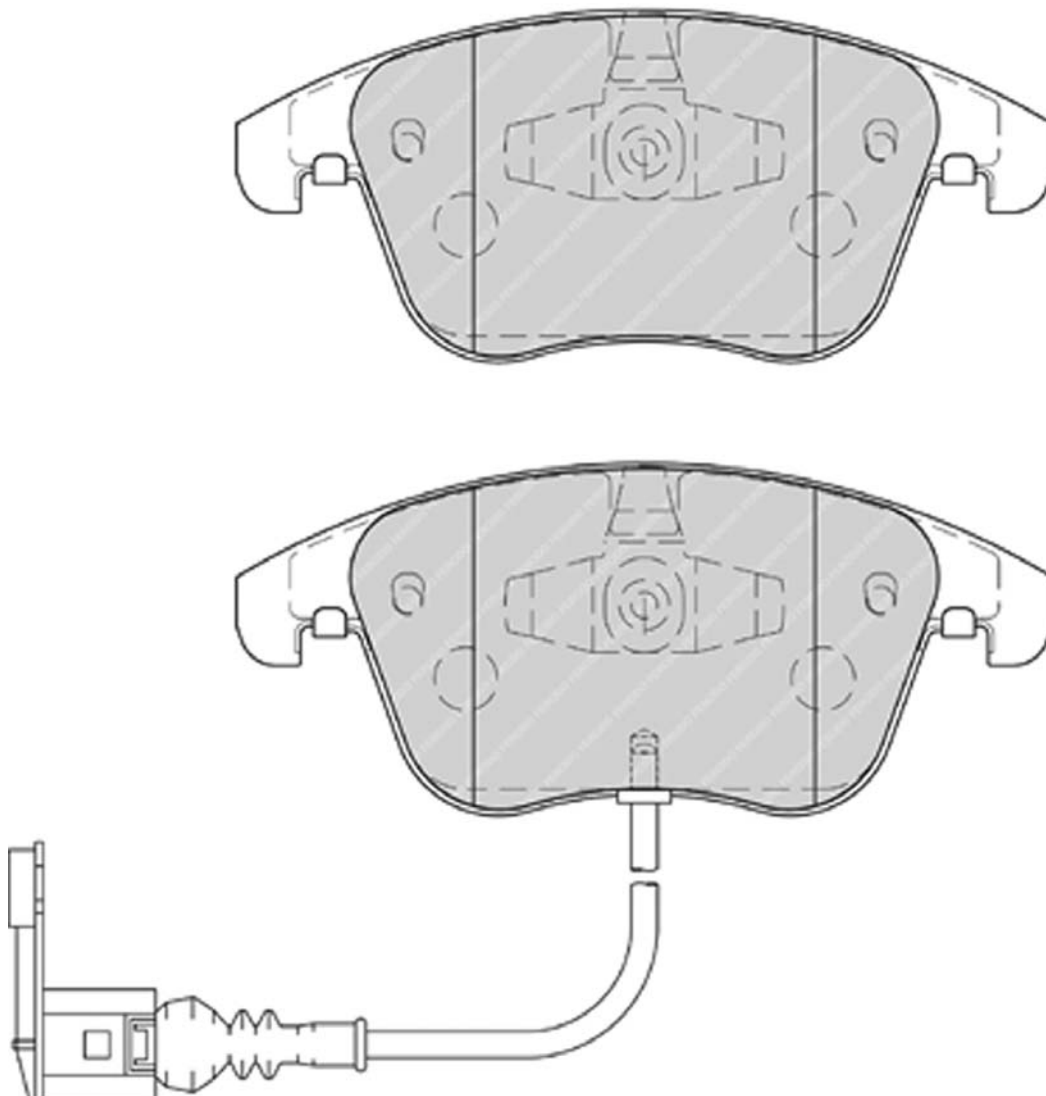
NISSAN



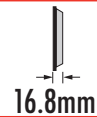
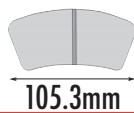
FDB4057



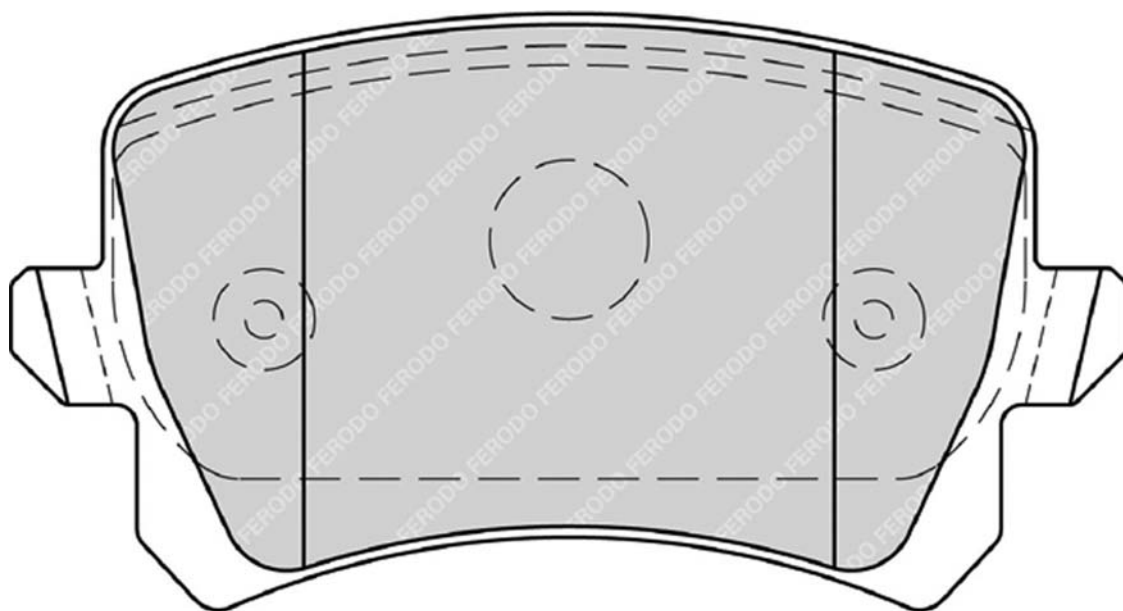
VOLKSWAGEN



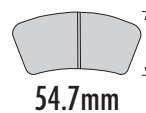
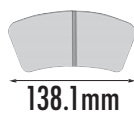
FDB4058



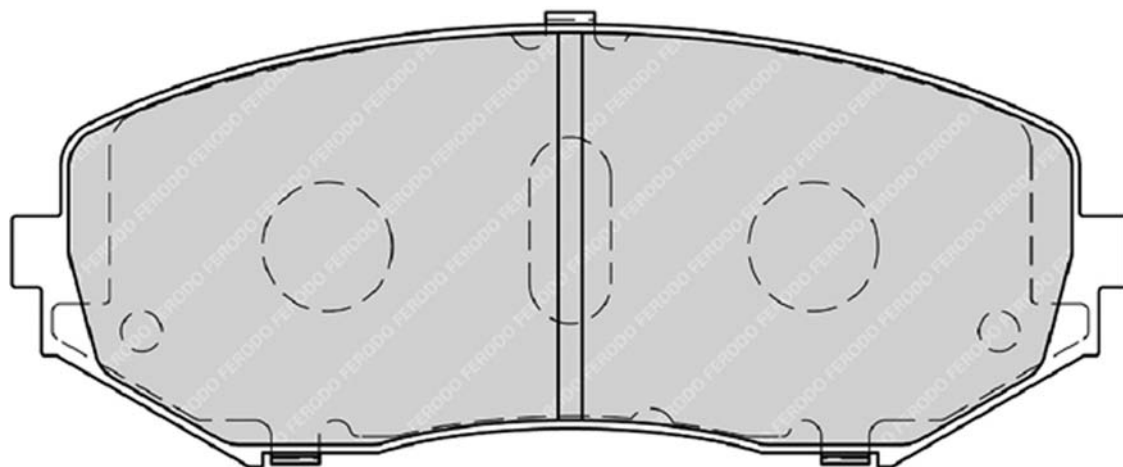
VOLKSWAGEN



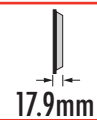
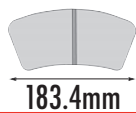
FDB4060



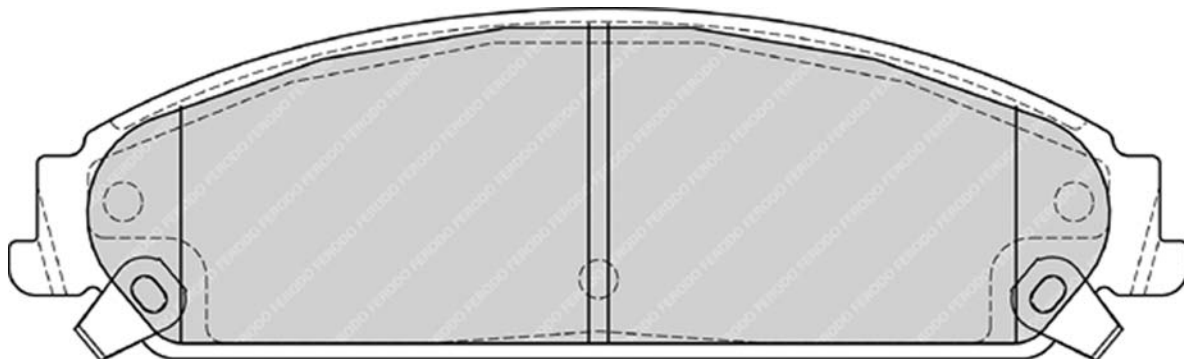
SUZUKI



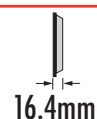
FDB4078



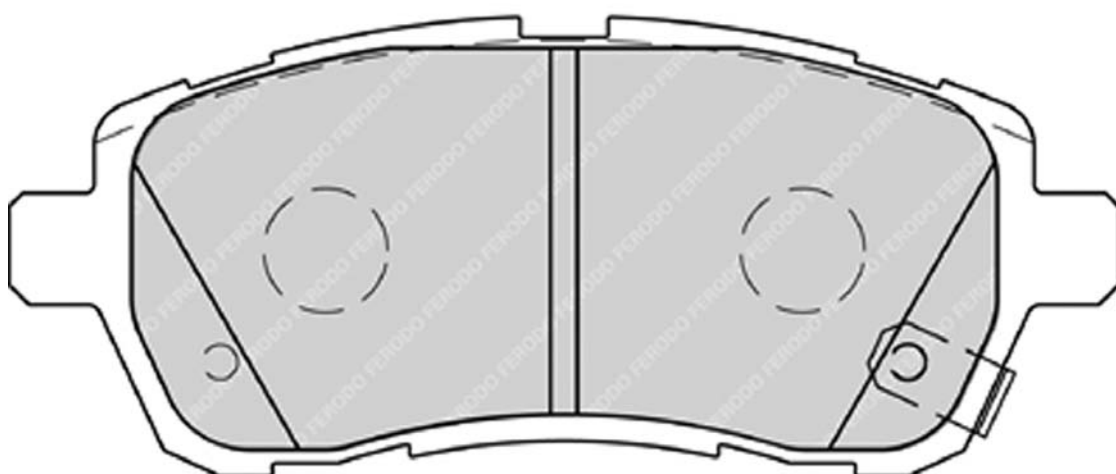
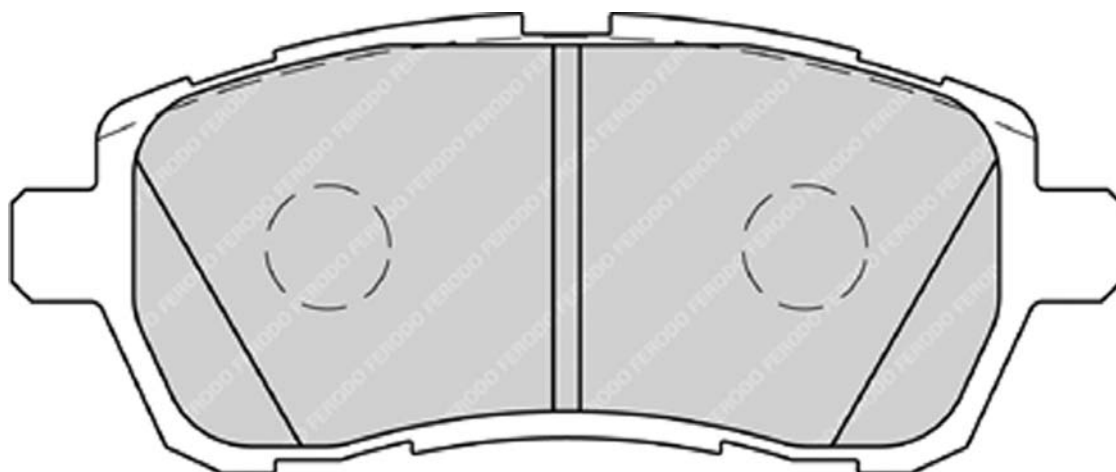
CHRYSLER



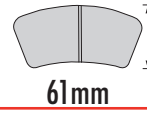
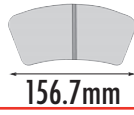
FDB4110



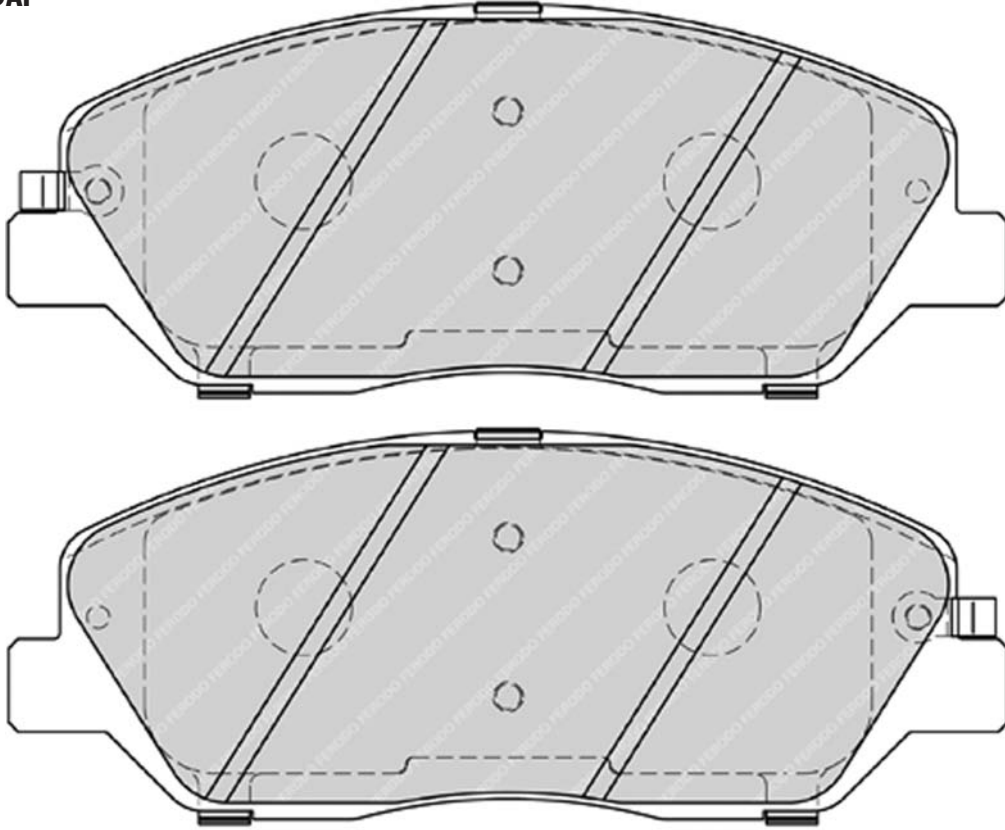
MAZDA



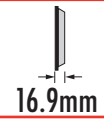
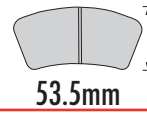
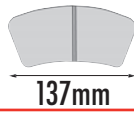
FDB4111



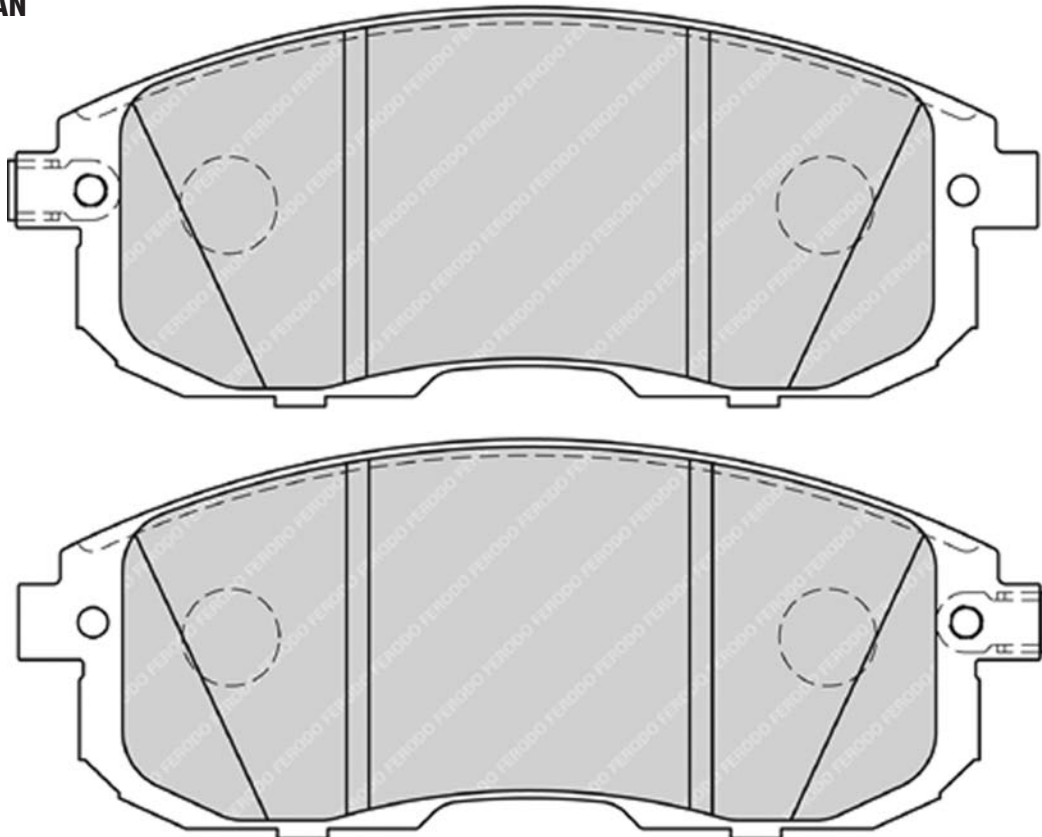
HYUNDAI



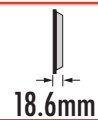
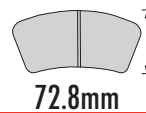
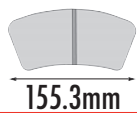
FDB4148



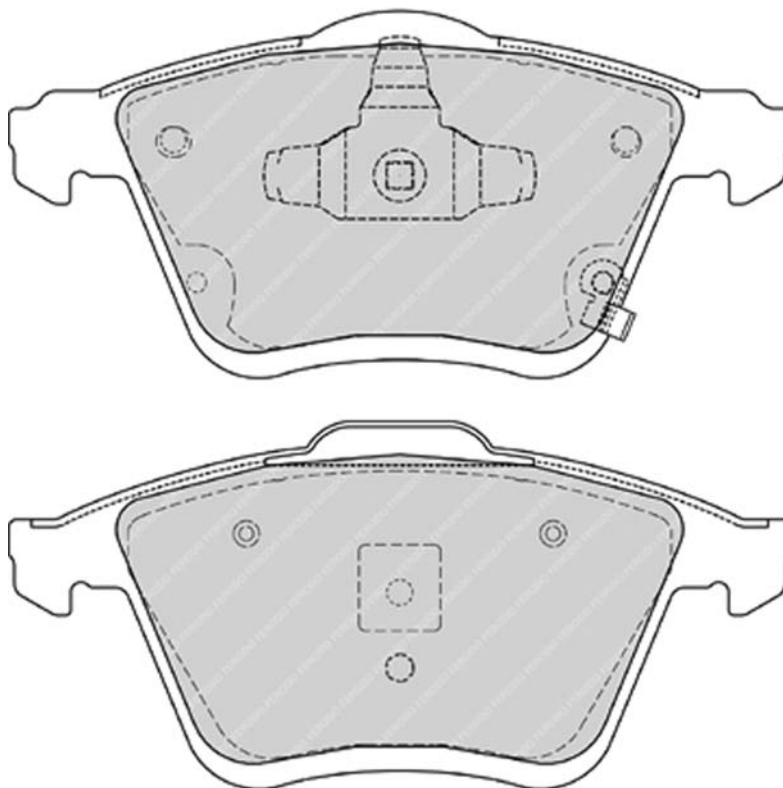
NISSAN



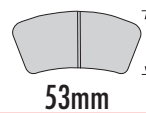
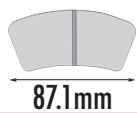
FDB4171



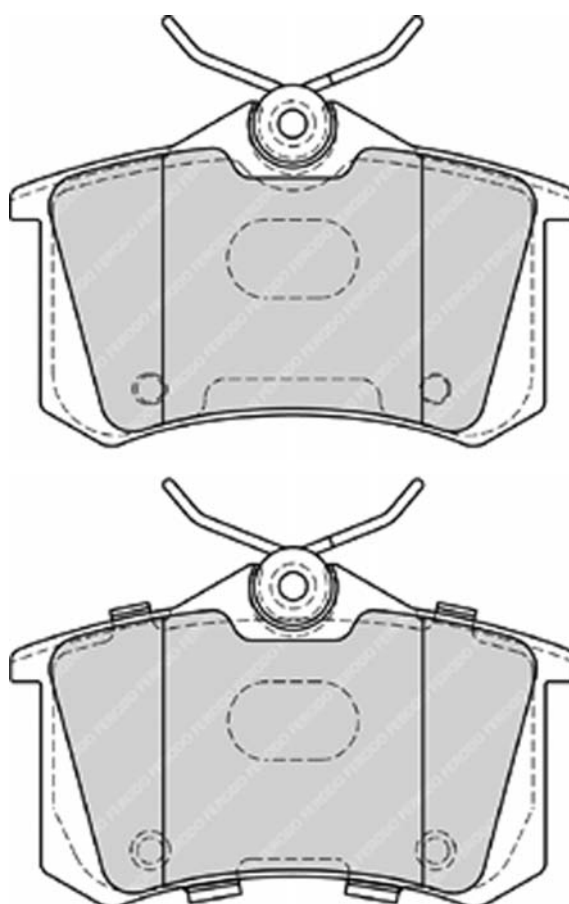
MAZDA



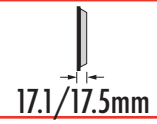
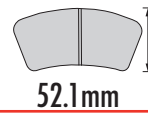
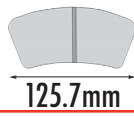
FDB4178



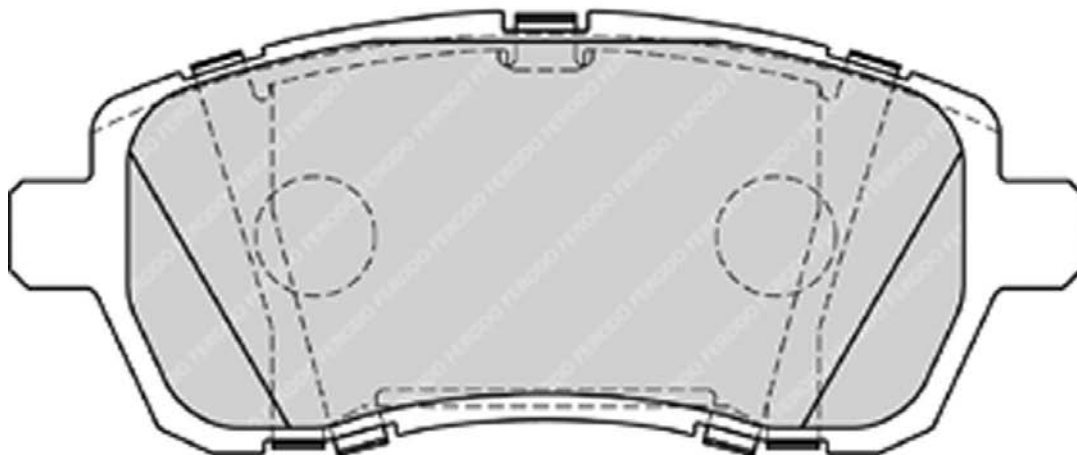
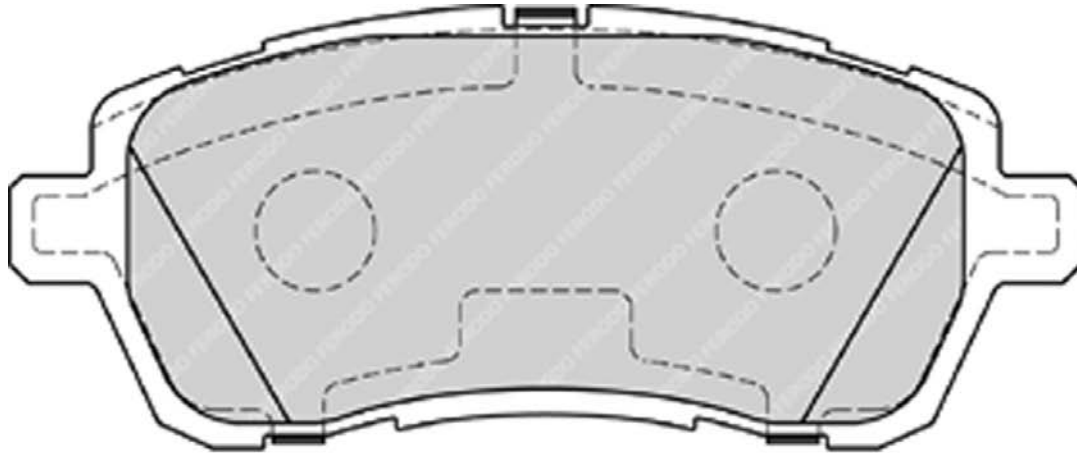
SEAT



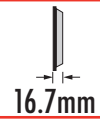
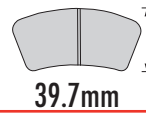
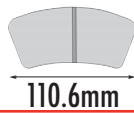
FDB4179



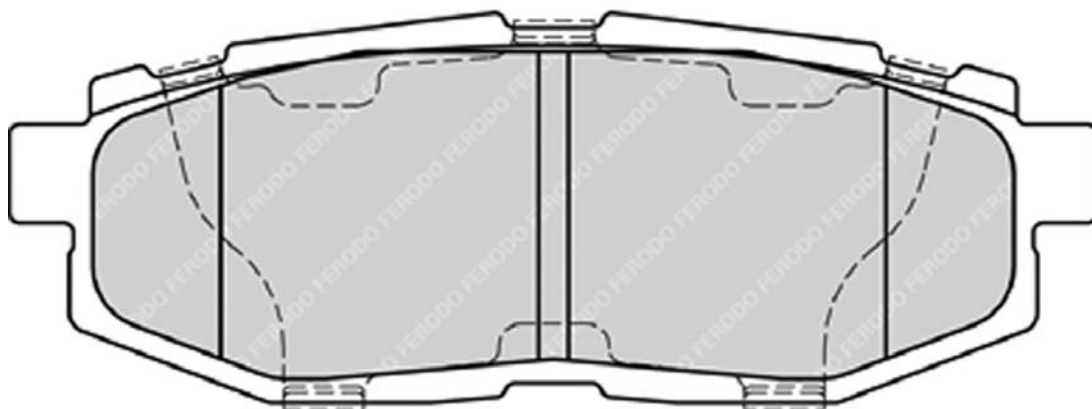
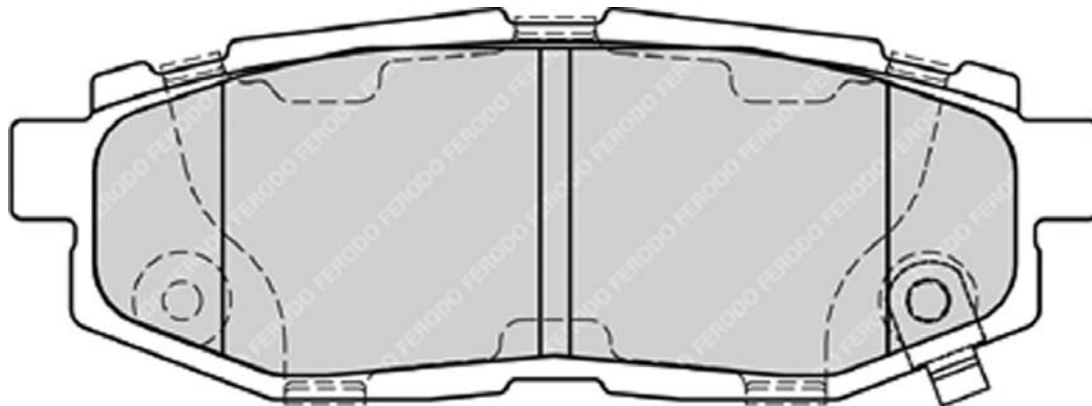
FORD



FDB4187



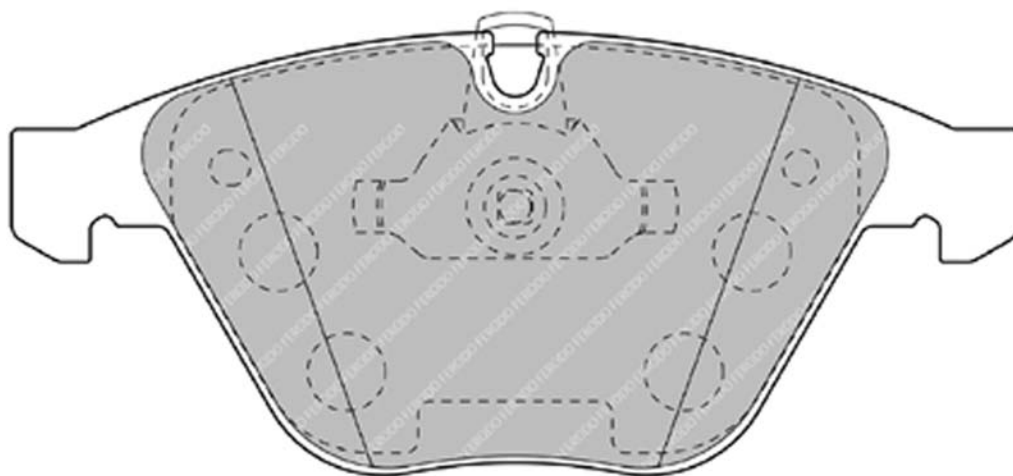
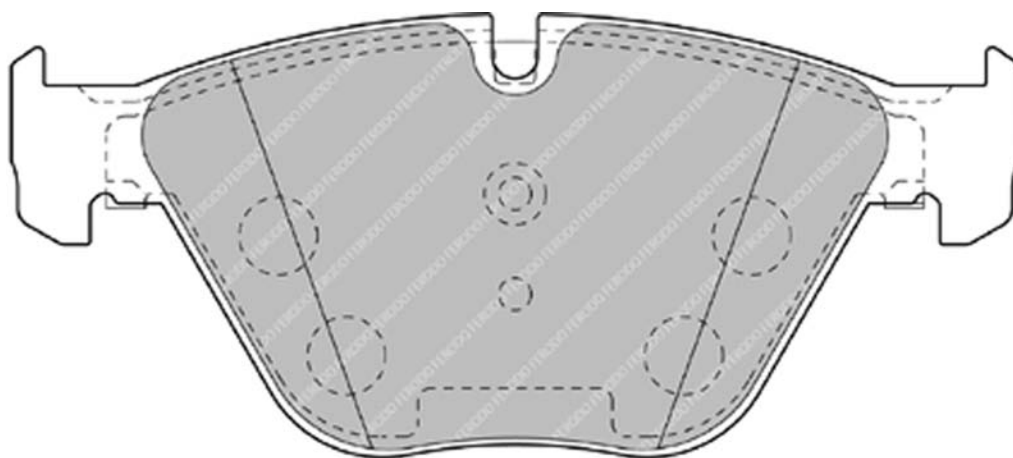
SUBARU



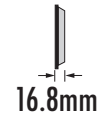
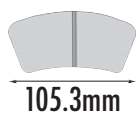
FDB4191



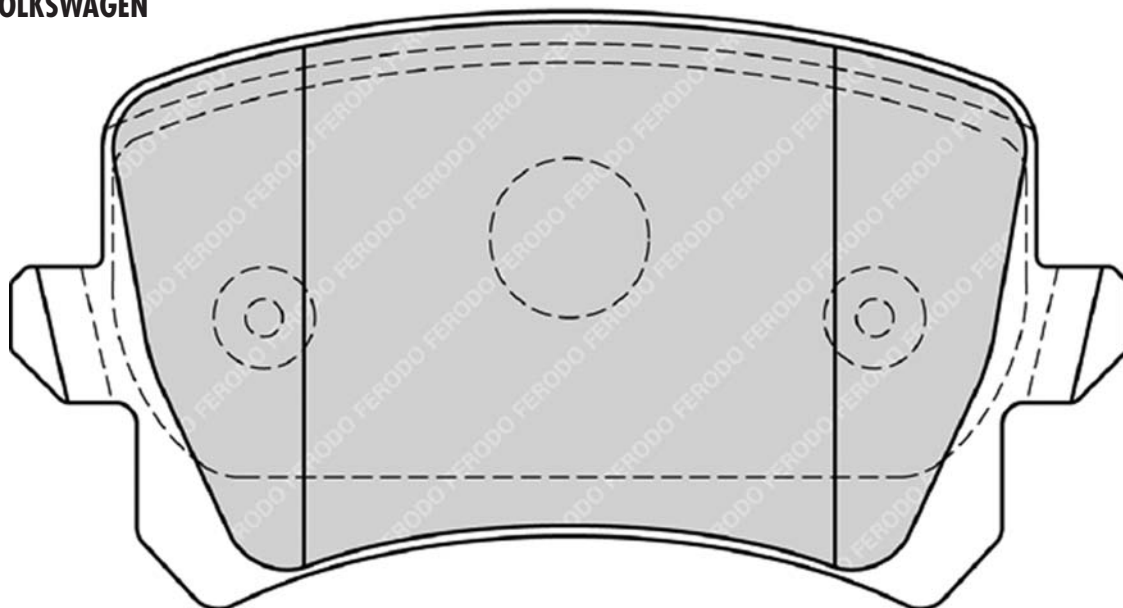
BMW



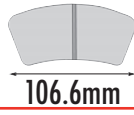
FDB4192



VOLKSWAGEN



FDB4193



106.6mm

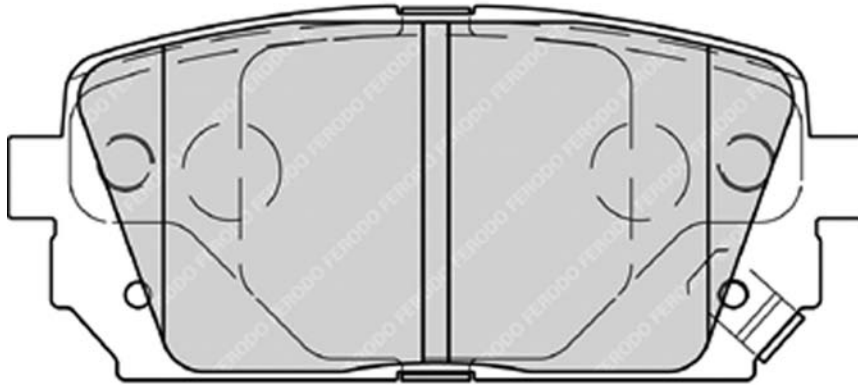
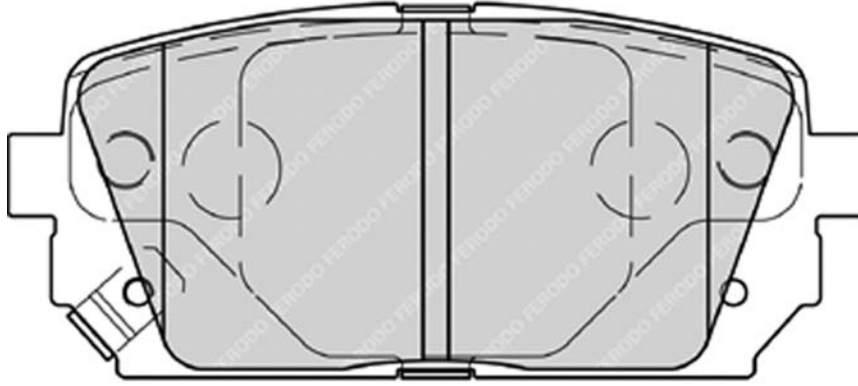


44.1mm

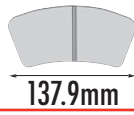


15.6/16.0mm

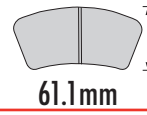
KIA



FDB4194



137.9mm

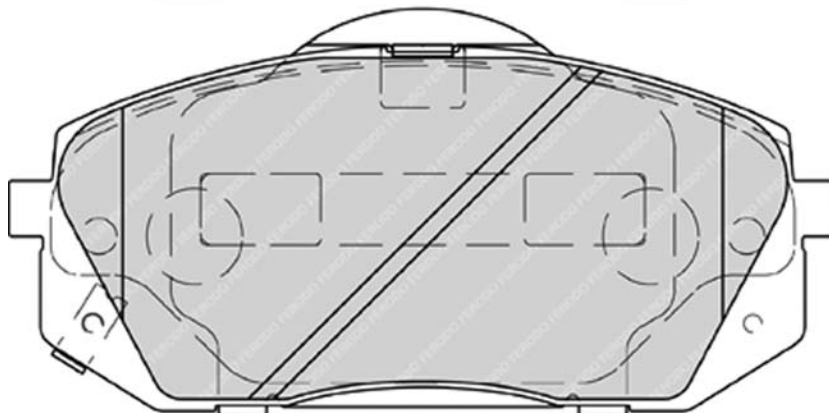
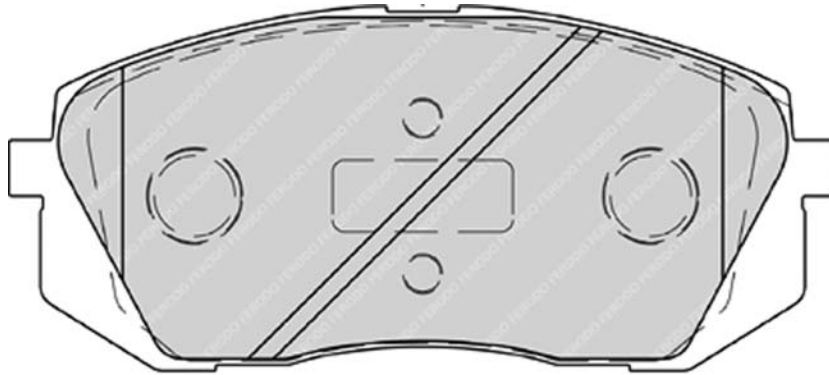


61.1mm

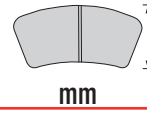
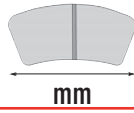


16.4/16.9mm

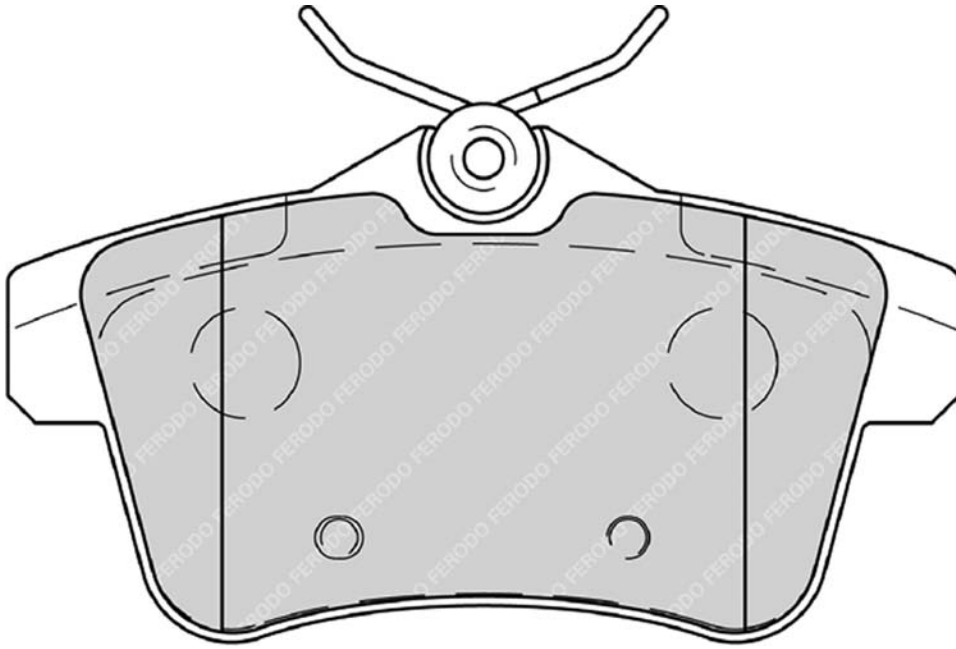
KIA



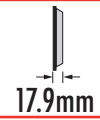
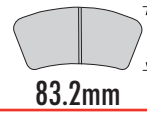
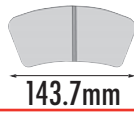
FDB4224



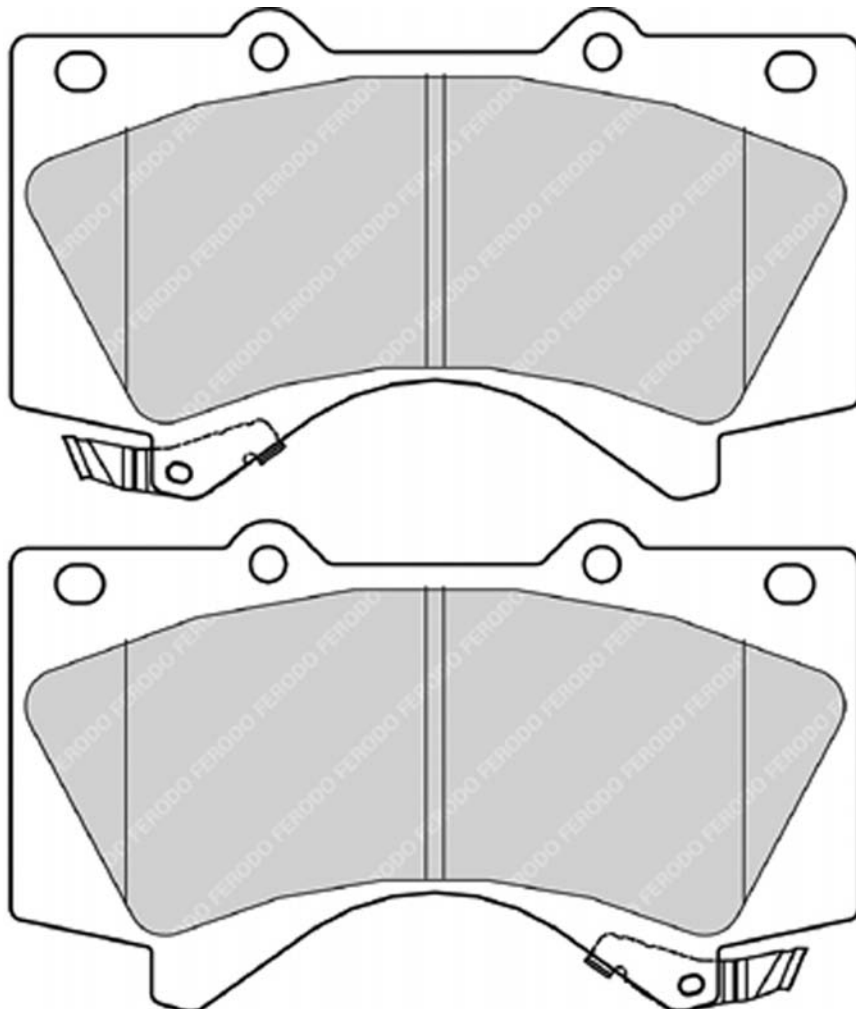
PEUGEOT



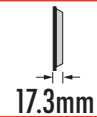
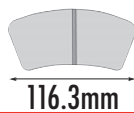
FDB4229



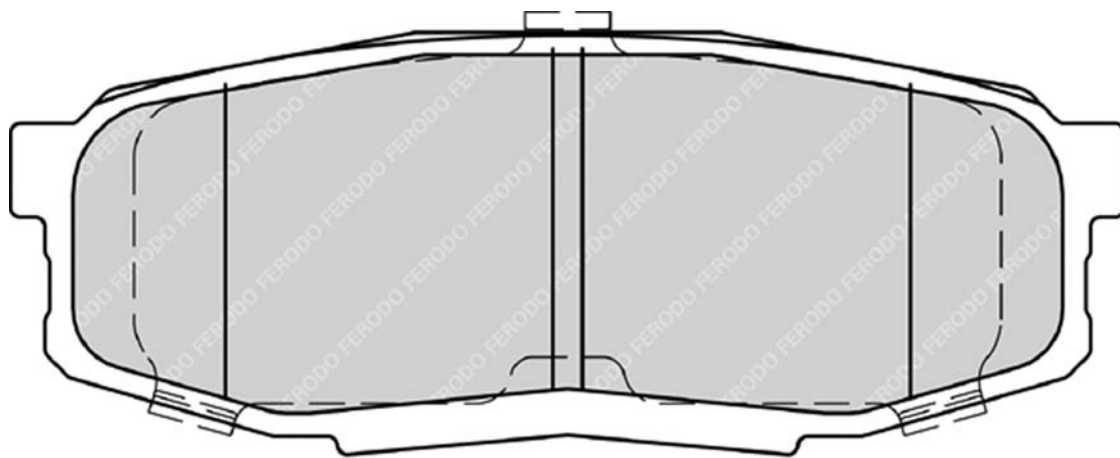
TOYOTA



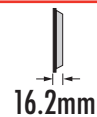
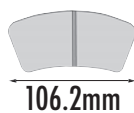
FDB4230



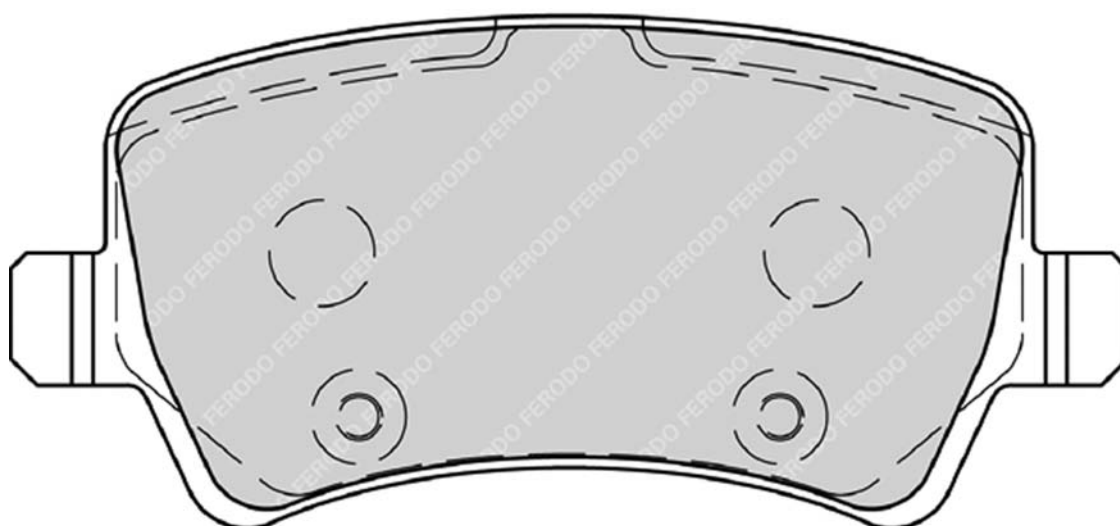
TOYOTA



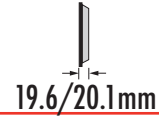
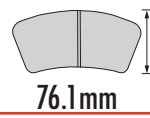
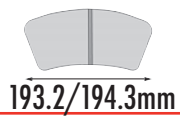
FDB4237



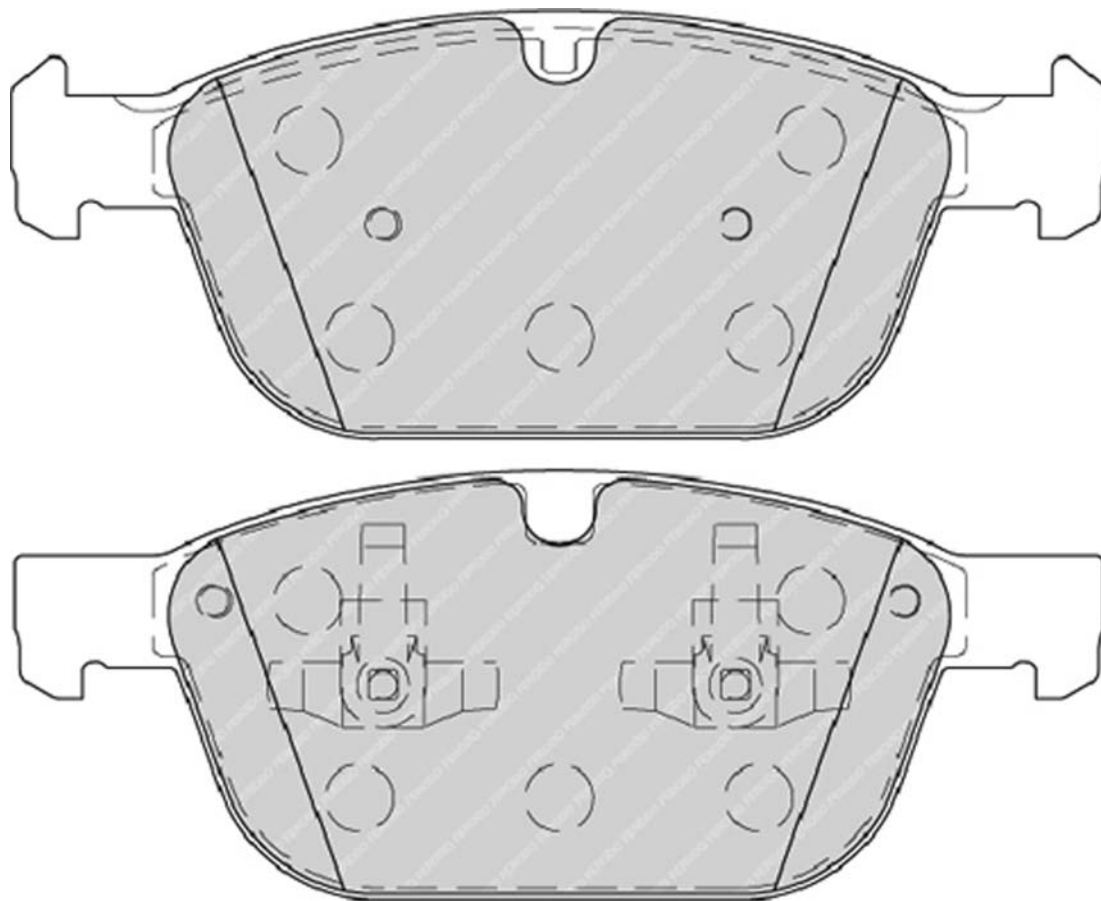
VOLVO



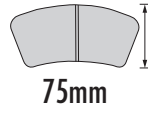
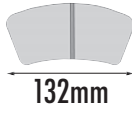
FDB4238



VOLVO

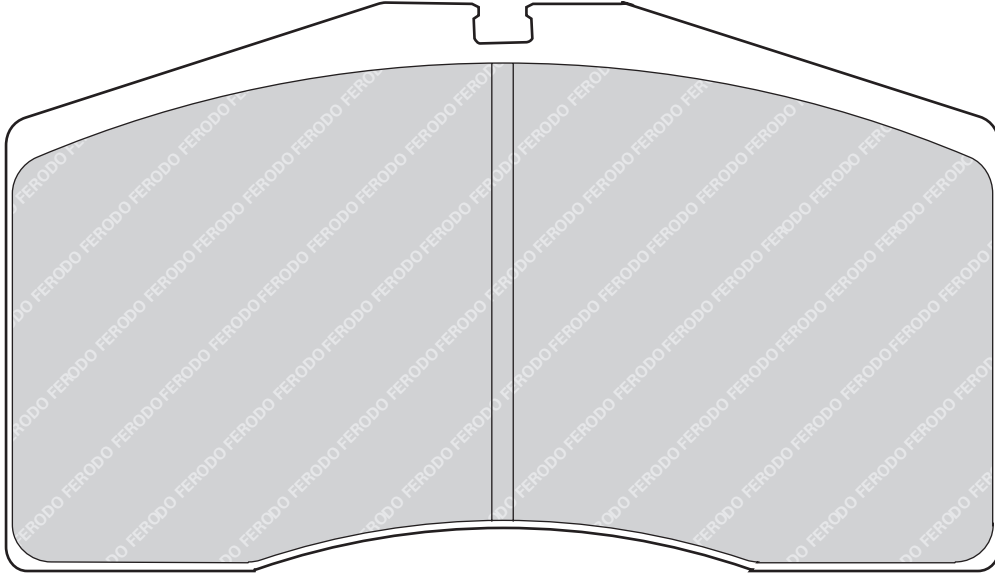


FDS891

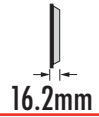
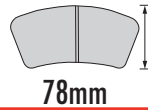
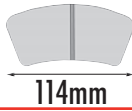


2 Wear Indicator pads per set (Supplied Loose)

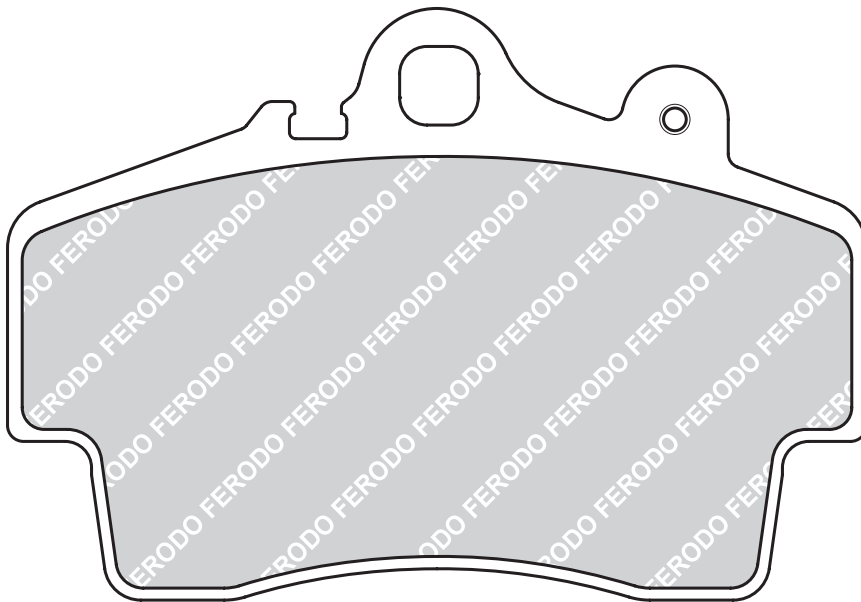
PORSCHE



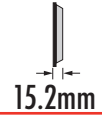
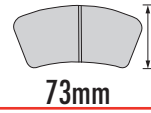
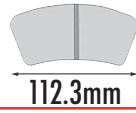
FDS1307



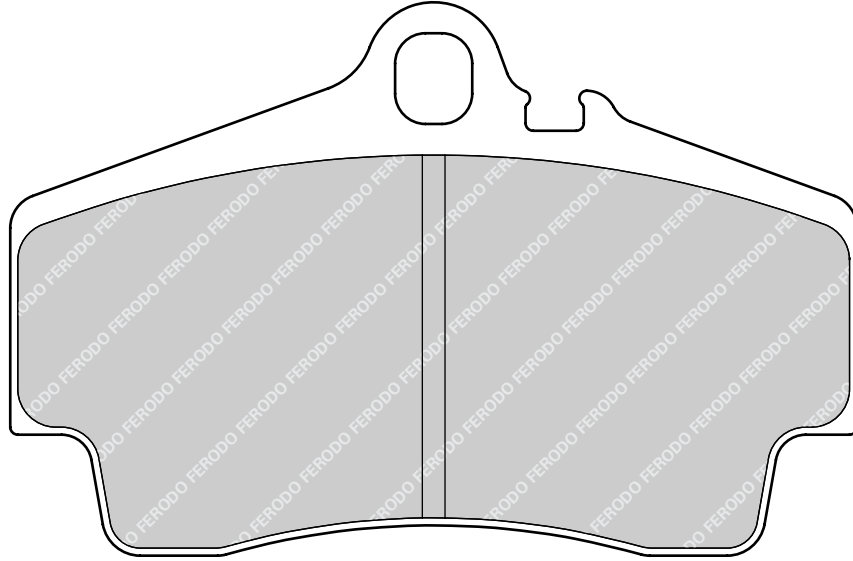
PORSCHE



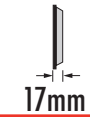
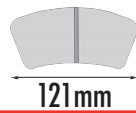
FDS1308



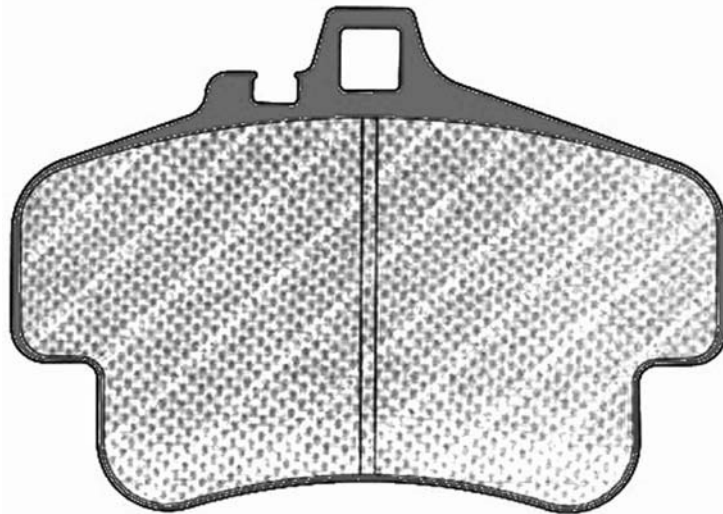
PORSCHE



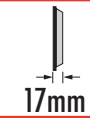
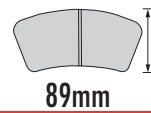
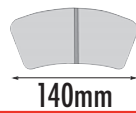
FDS1435



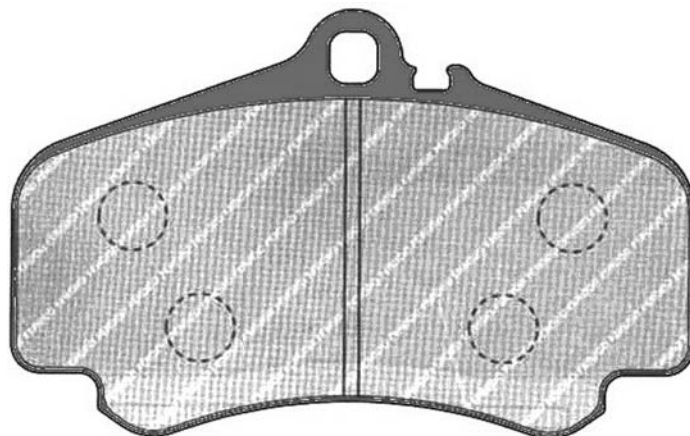
PORSCHE



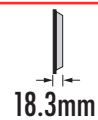
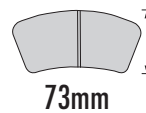
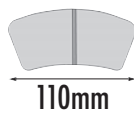
FDS1438



PORSCHE

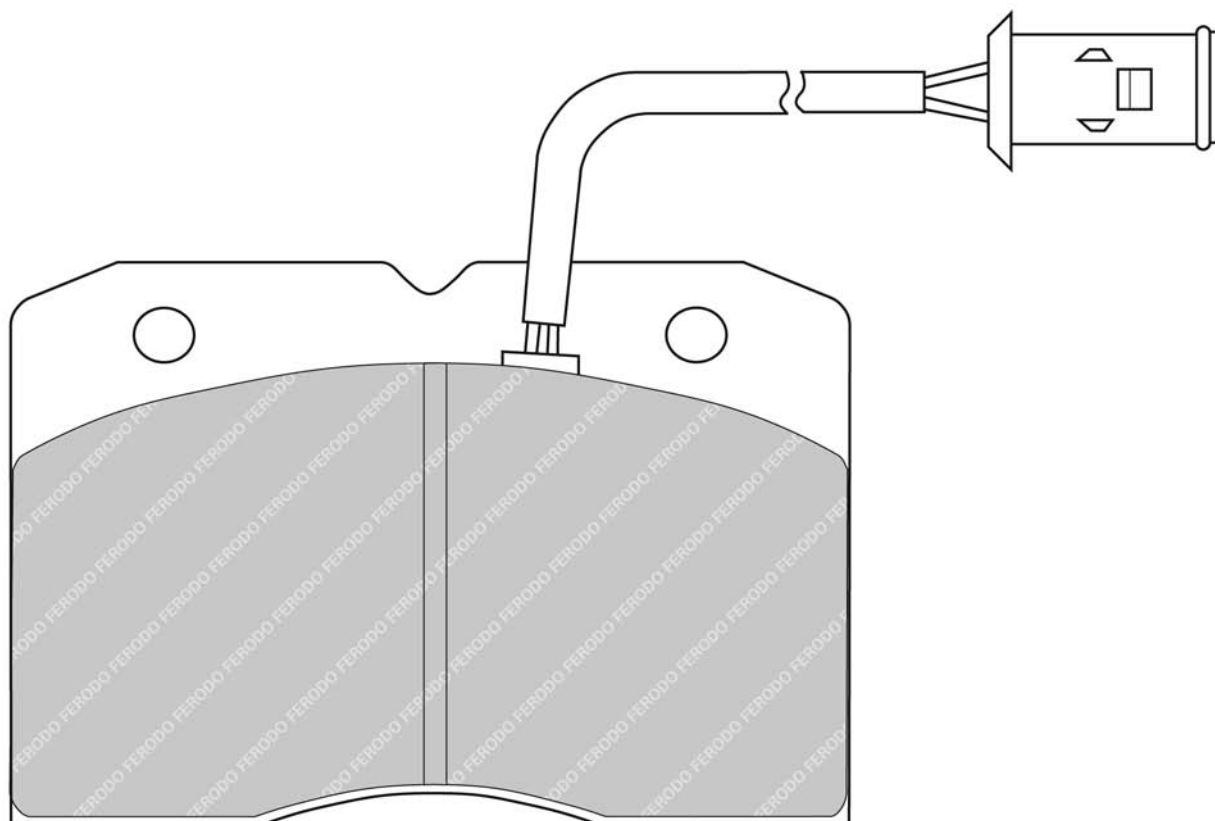


FVR655

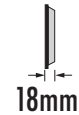
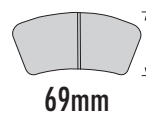
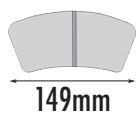


2 Wear Indicator pads per set

IVECO

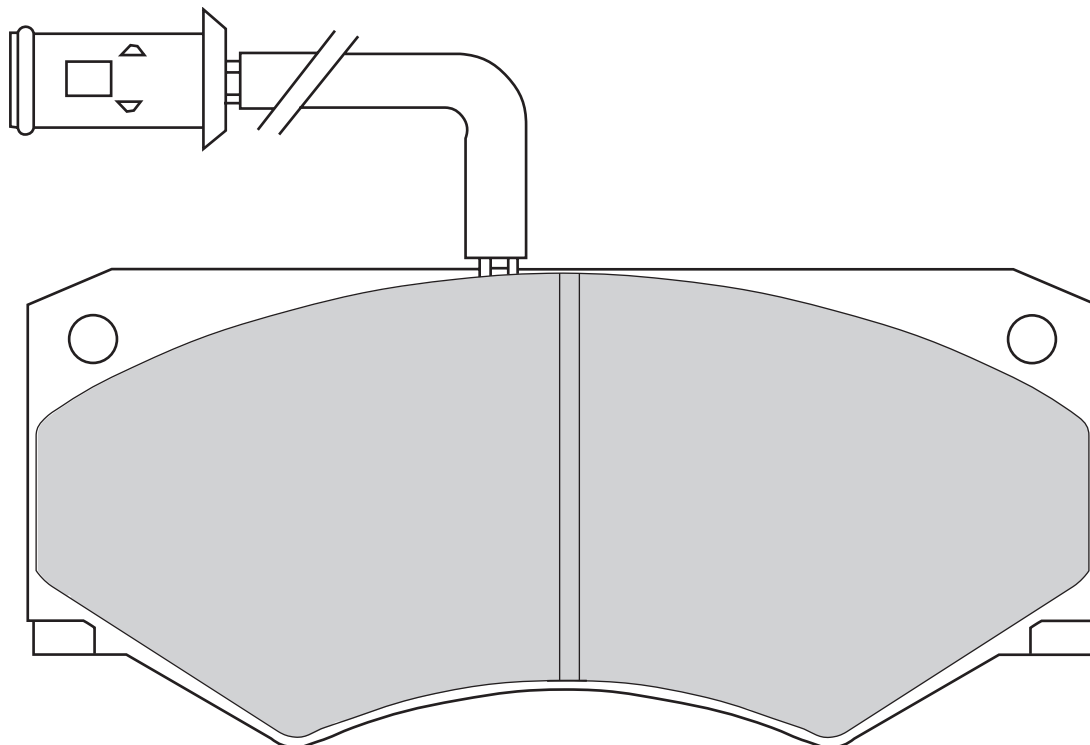


FVR709

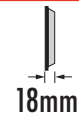
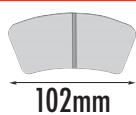


2 Wear Indicator pads per set

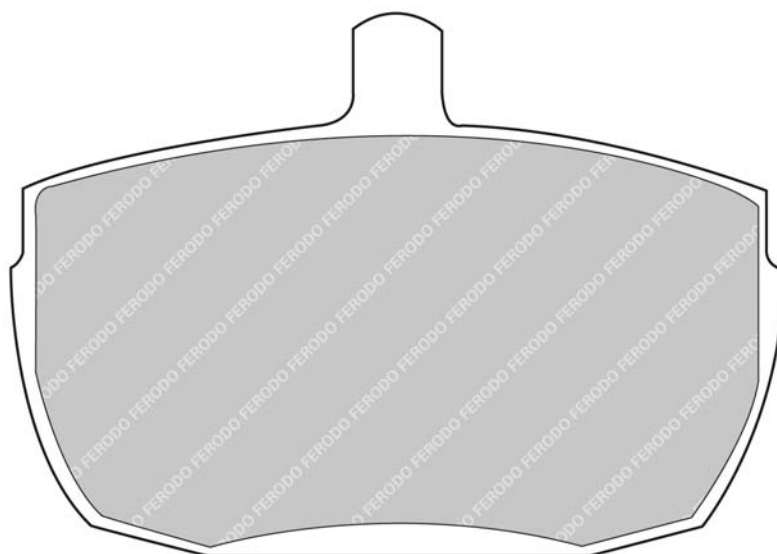
IVECO



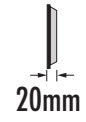
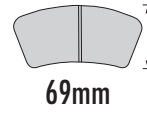
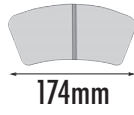
FVR829



LANDROVER

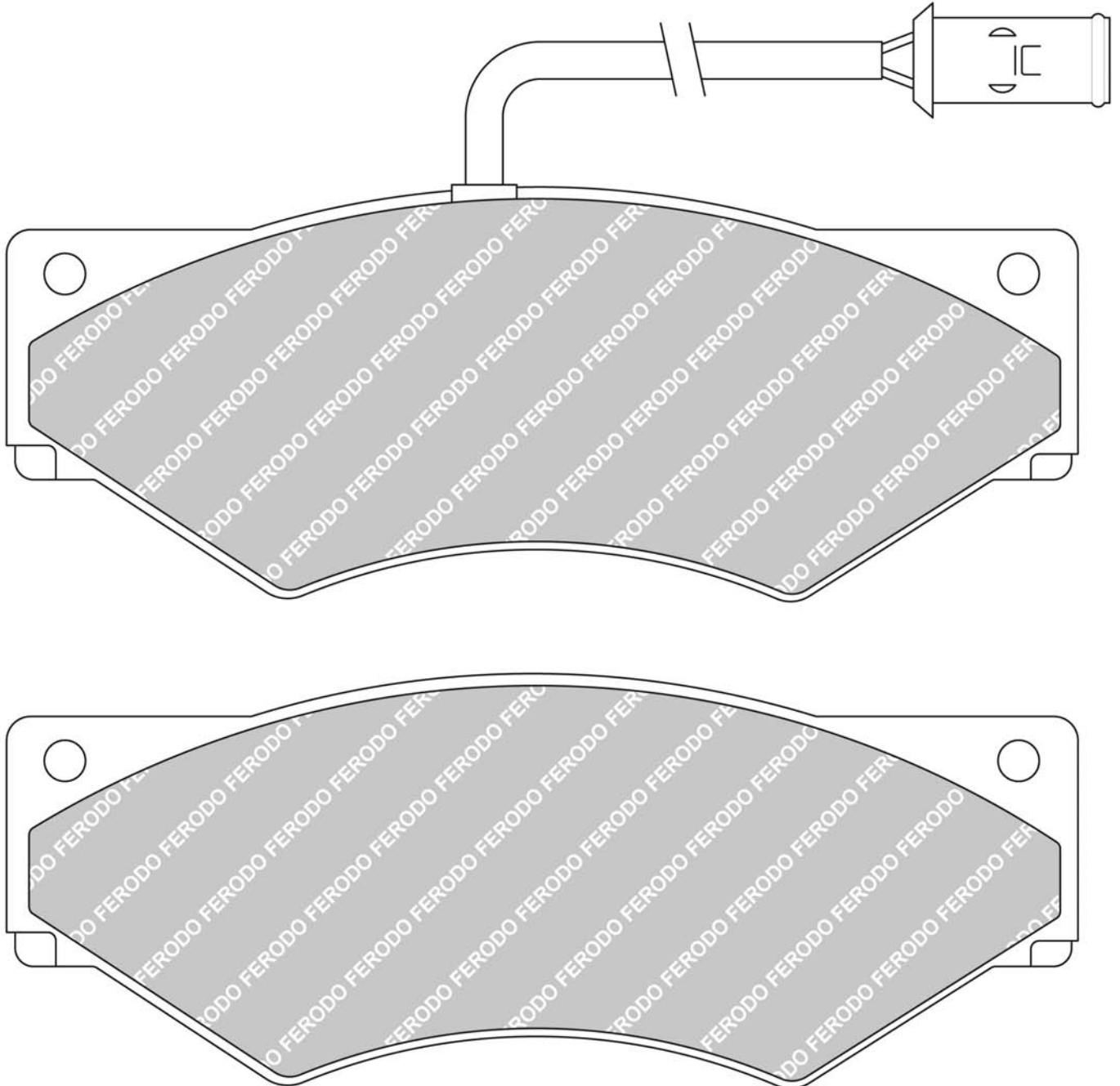


FVR852

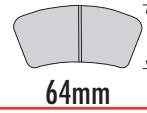
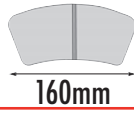


2 Wear Indicator pads per set

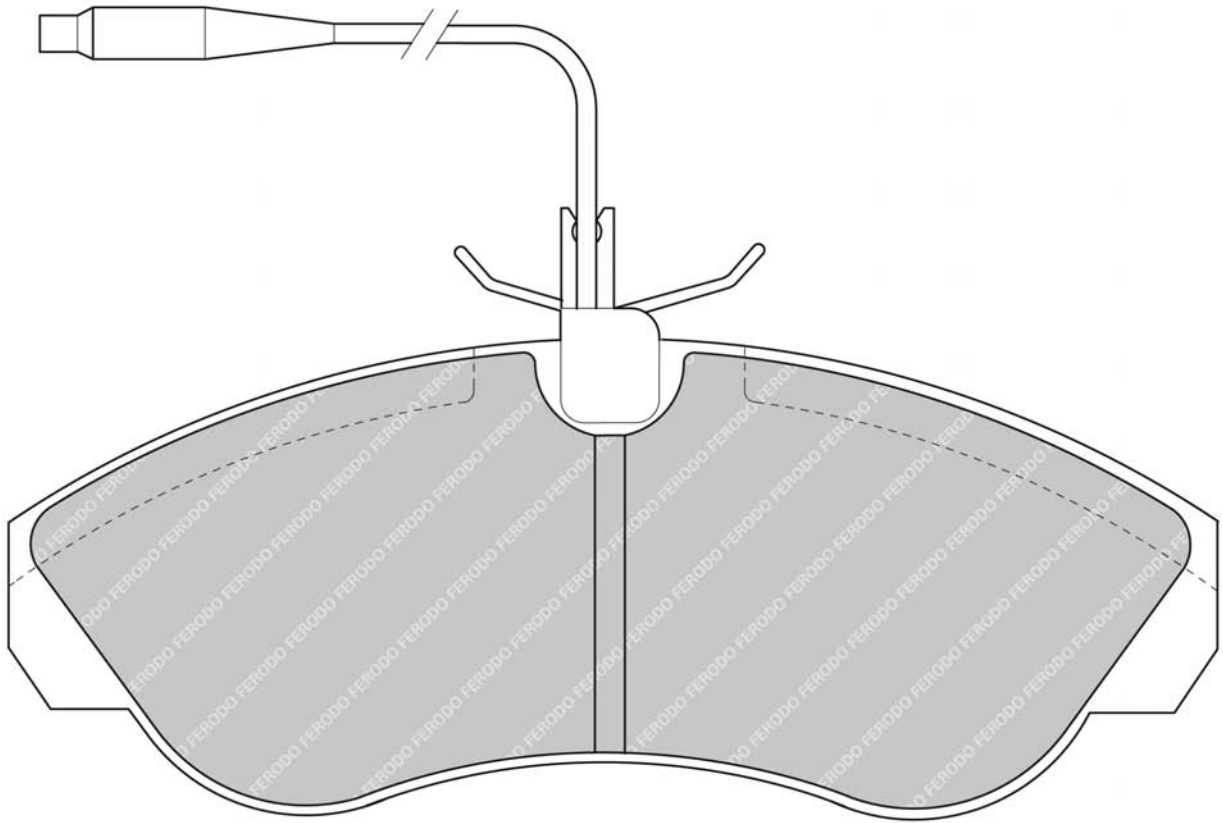
IVECO



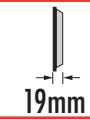
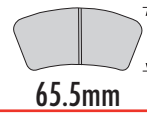
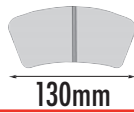
FVR968



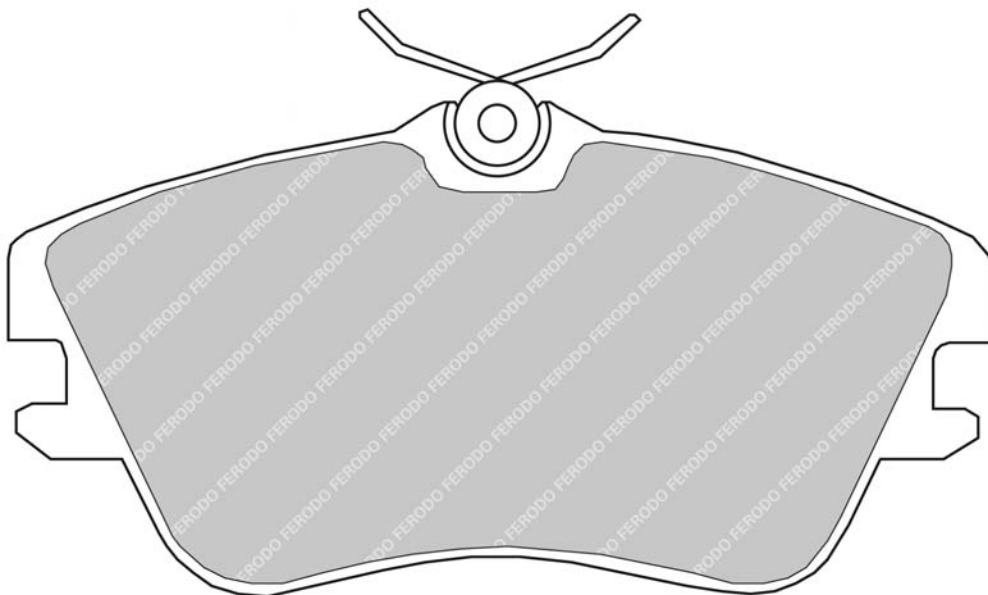
PEUGEOT



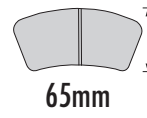
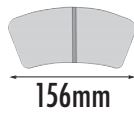
FVR970



VOLKSWAGEN

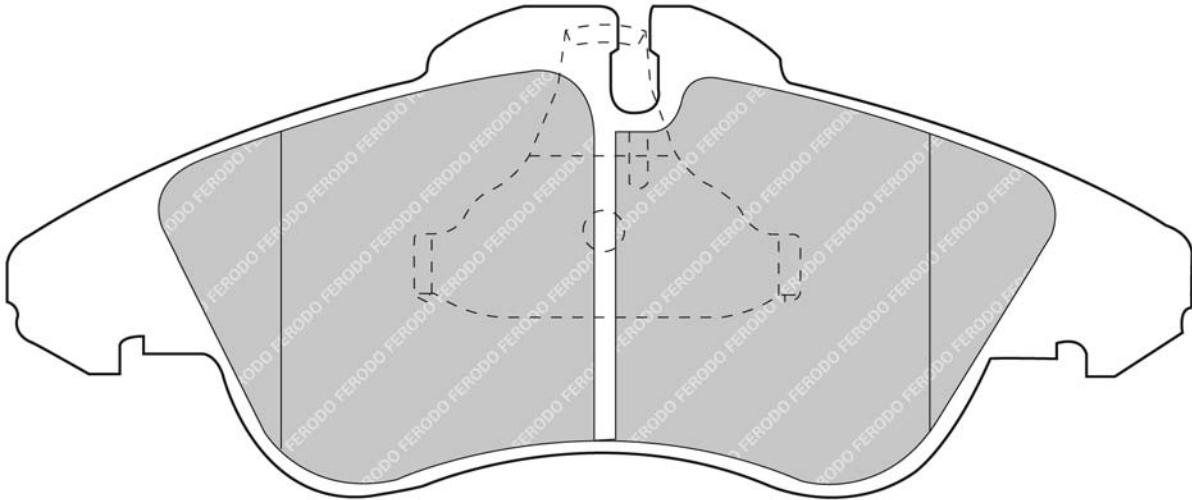


FVR 1038

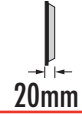
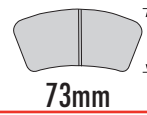
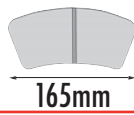


2 pads with clip

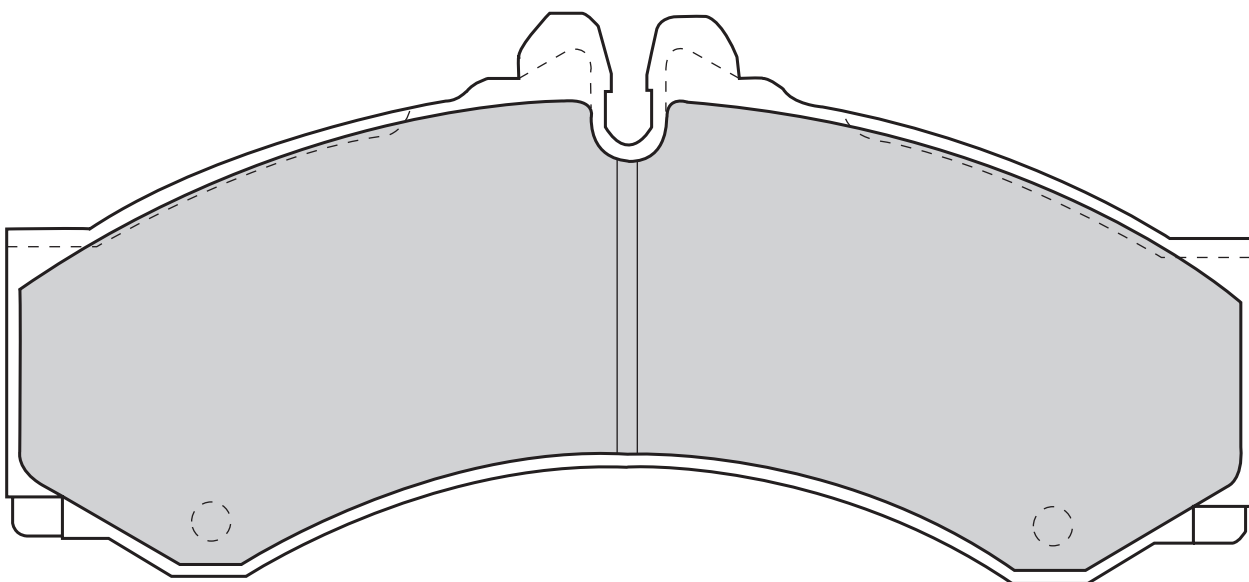
MERCEDES BENZ COMM.



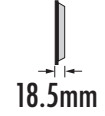
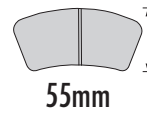
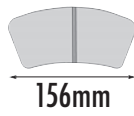
FVR 1043



VOLKSWAGEN

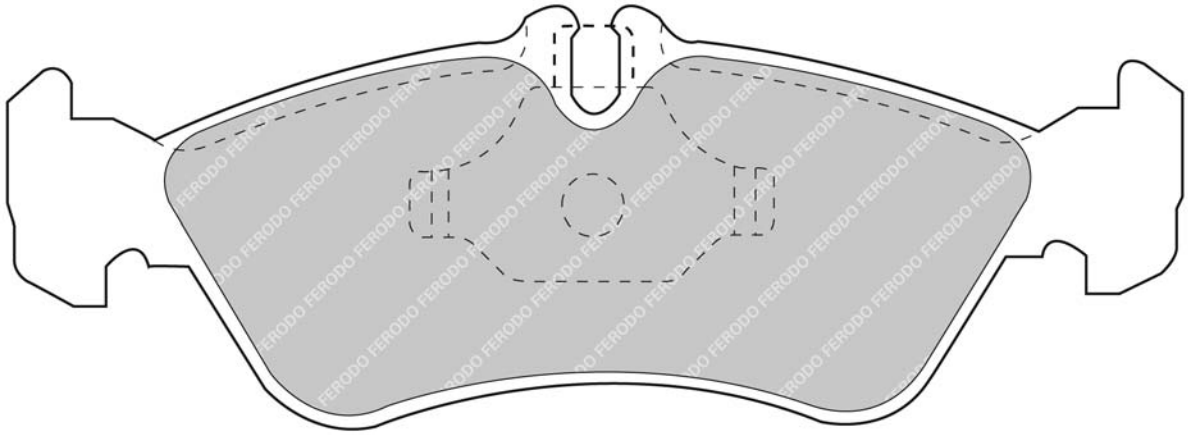


FVR 1045

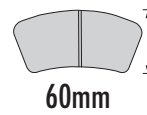
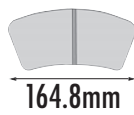


2 pads with clip

MERCEDES BENZ COMM.

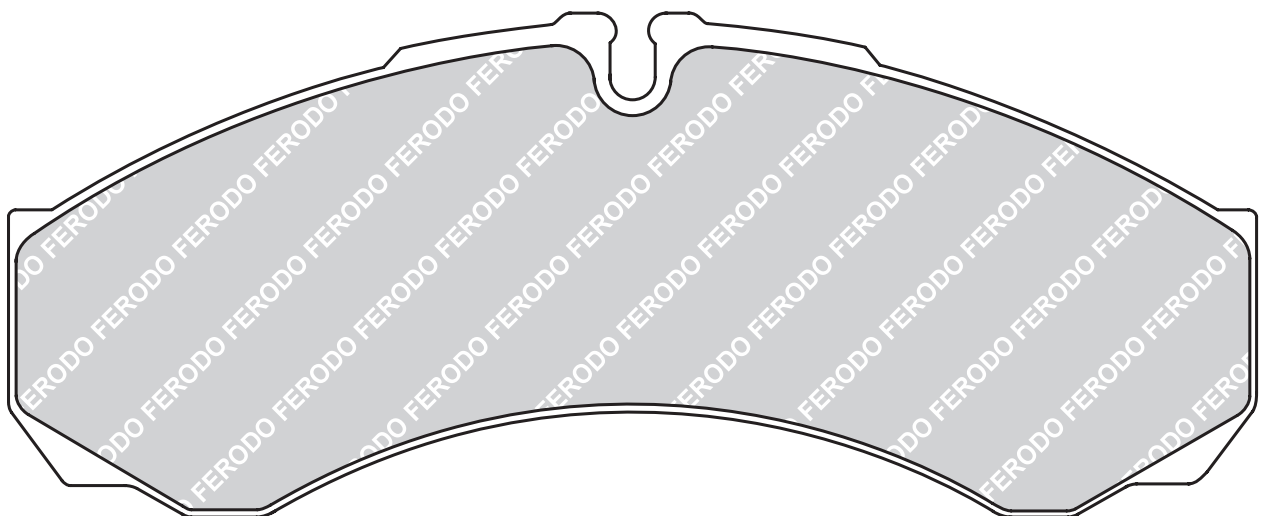


FVR 1102

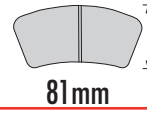
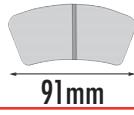


Comprising: 4 Plain pads

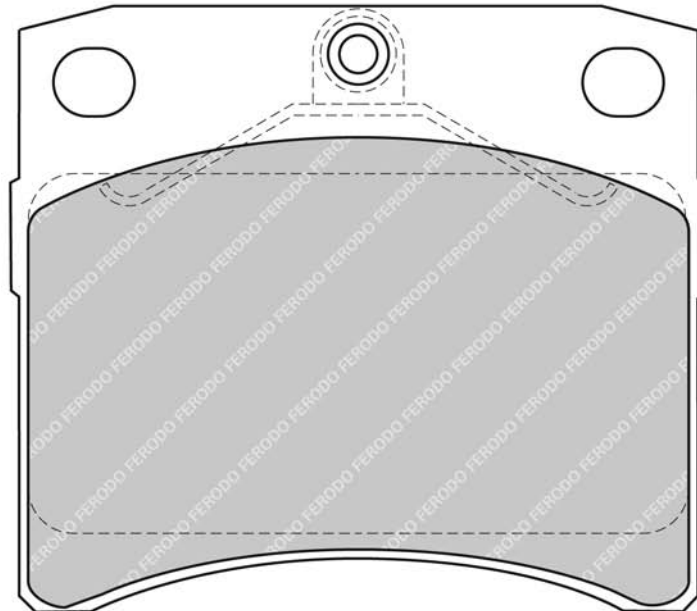
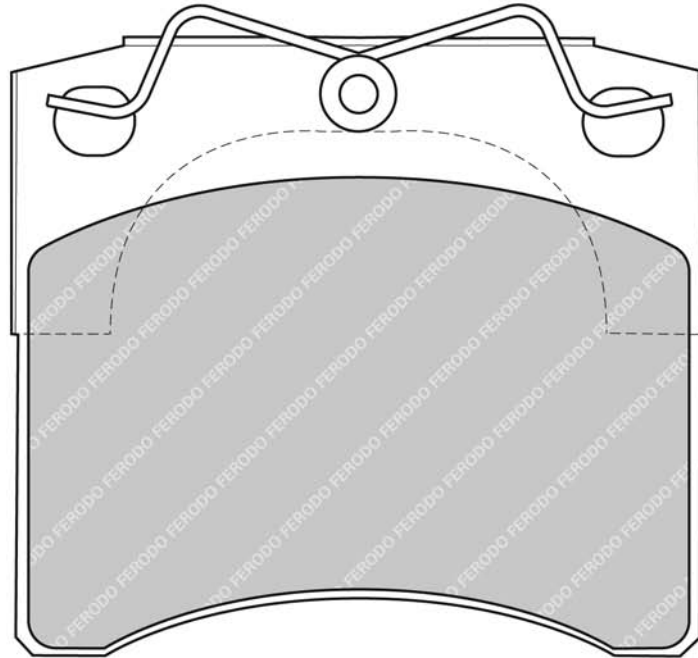
IVECO



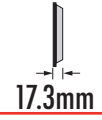
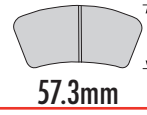
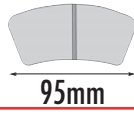
FVR1131



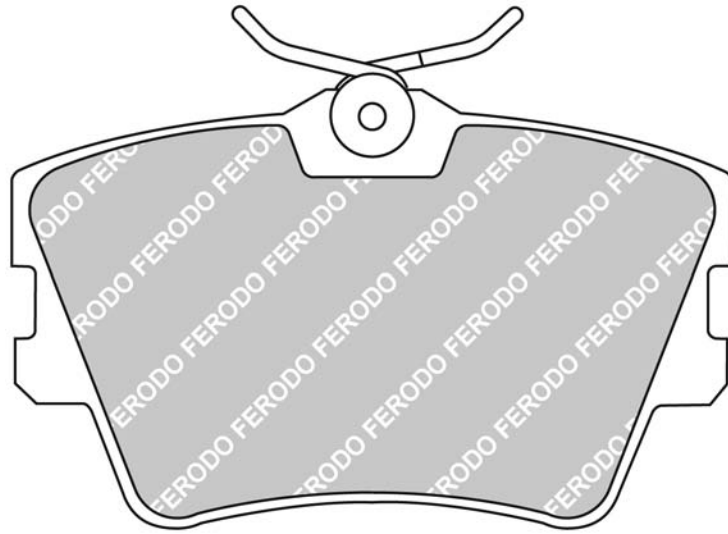
VOLKSWAGEN



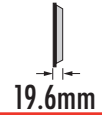
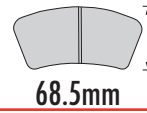
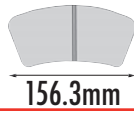
FVR1132



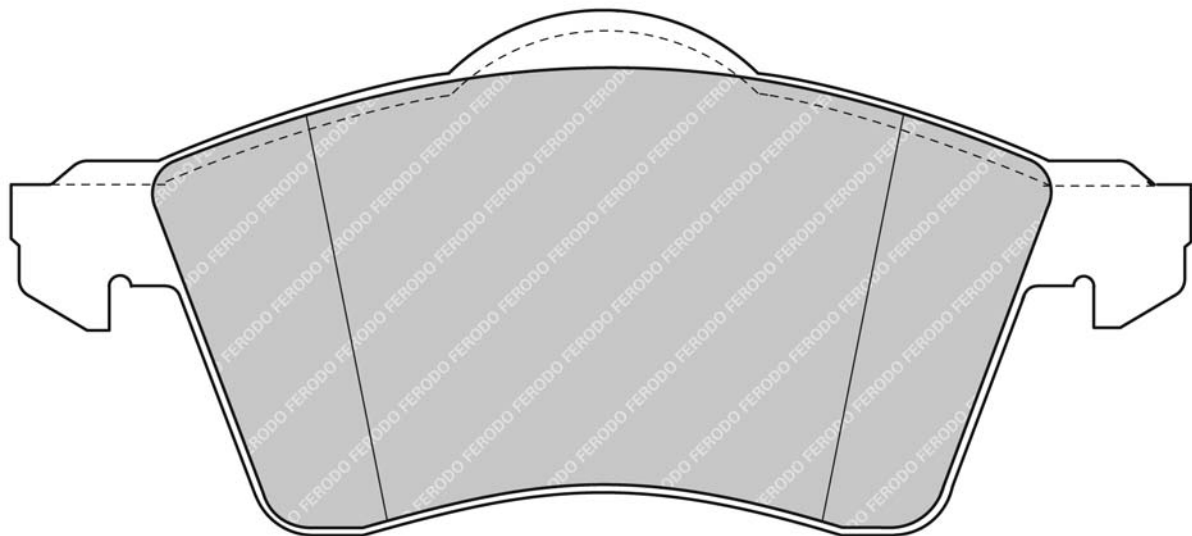
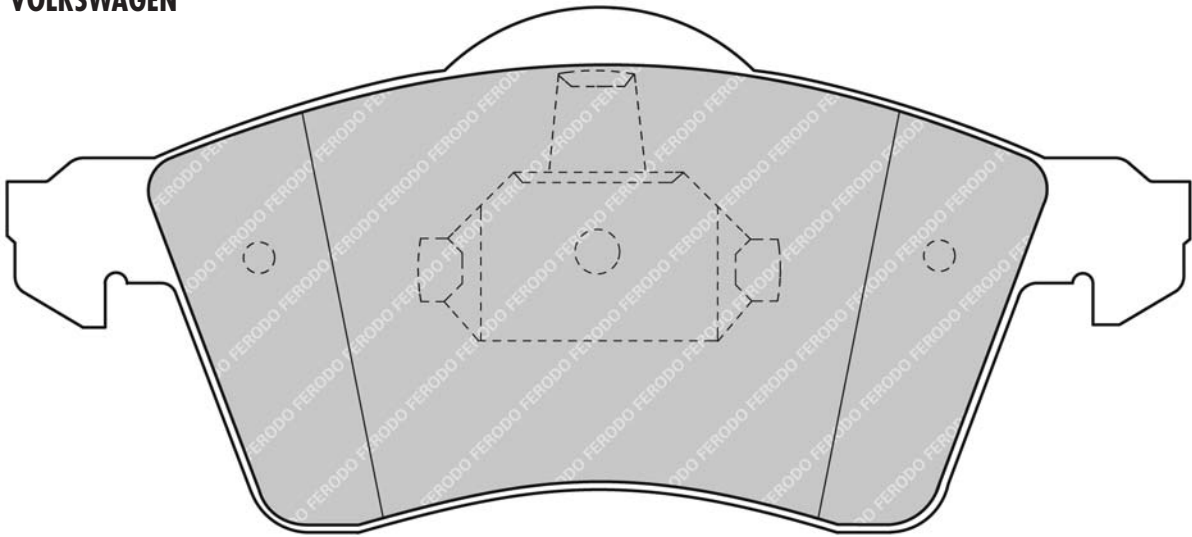
VOLKSWAGEN



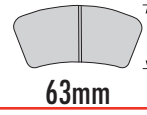
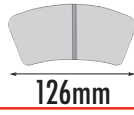
FVR1163



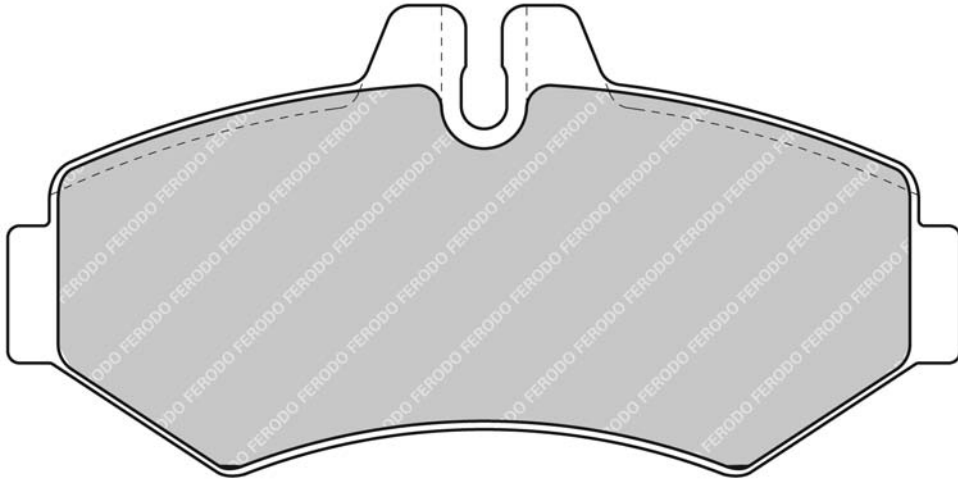
VOLKSWAGEN



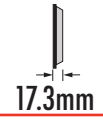
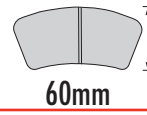
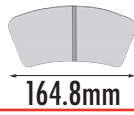
FVR1306



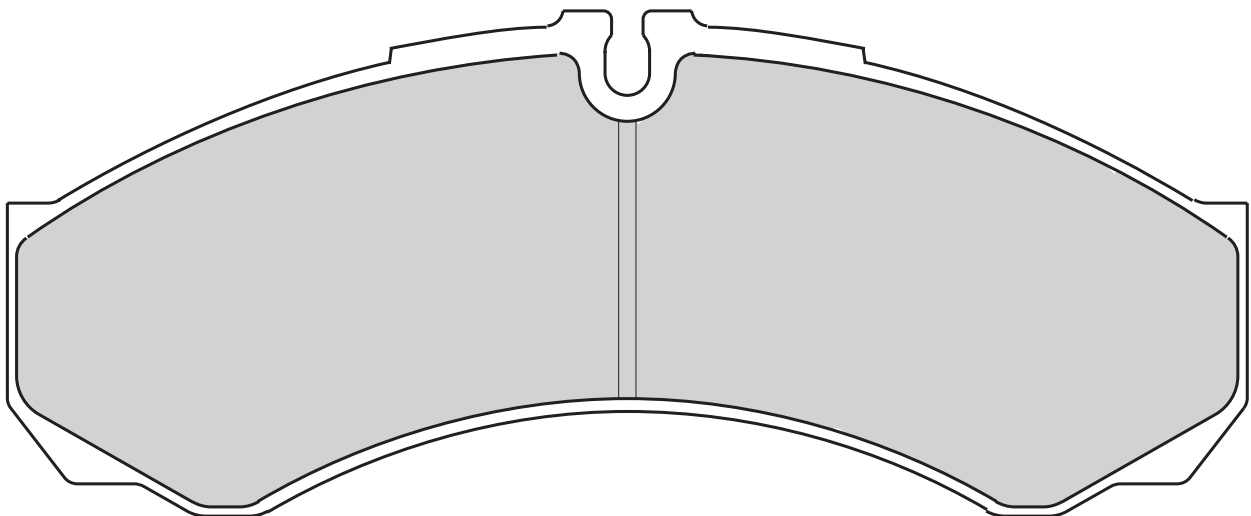
VOLKSWAGEN, MERCEDES BENZ COMM.



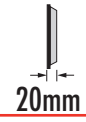
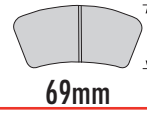
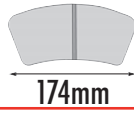
FVR1315



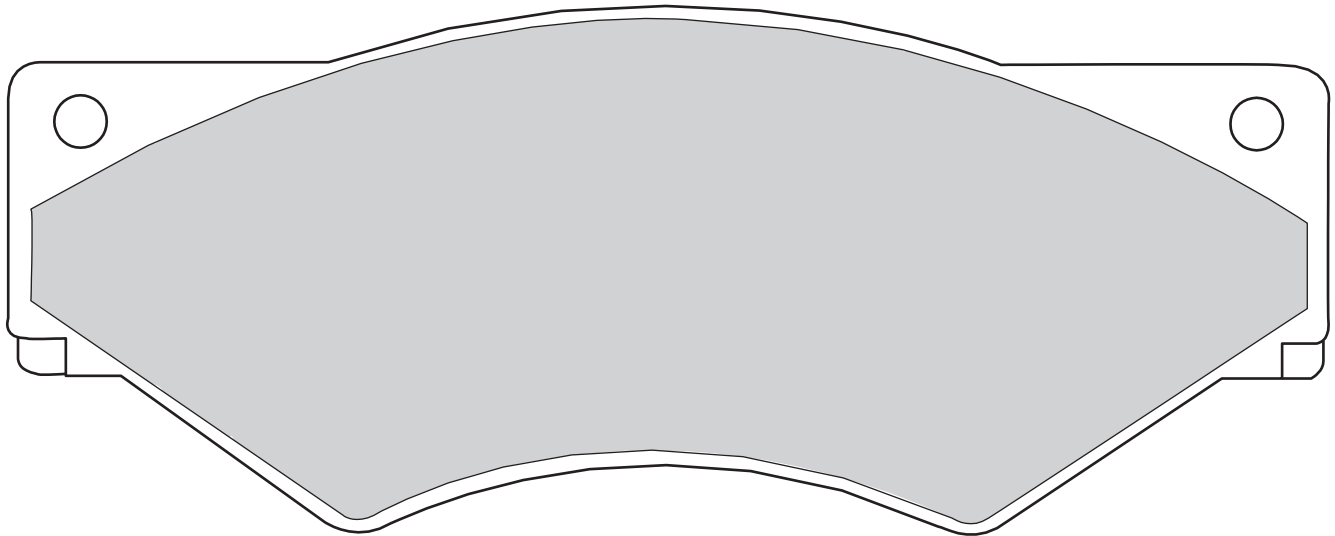
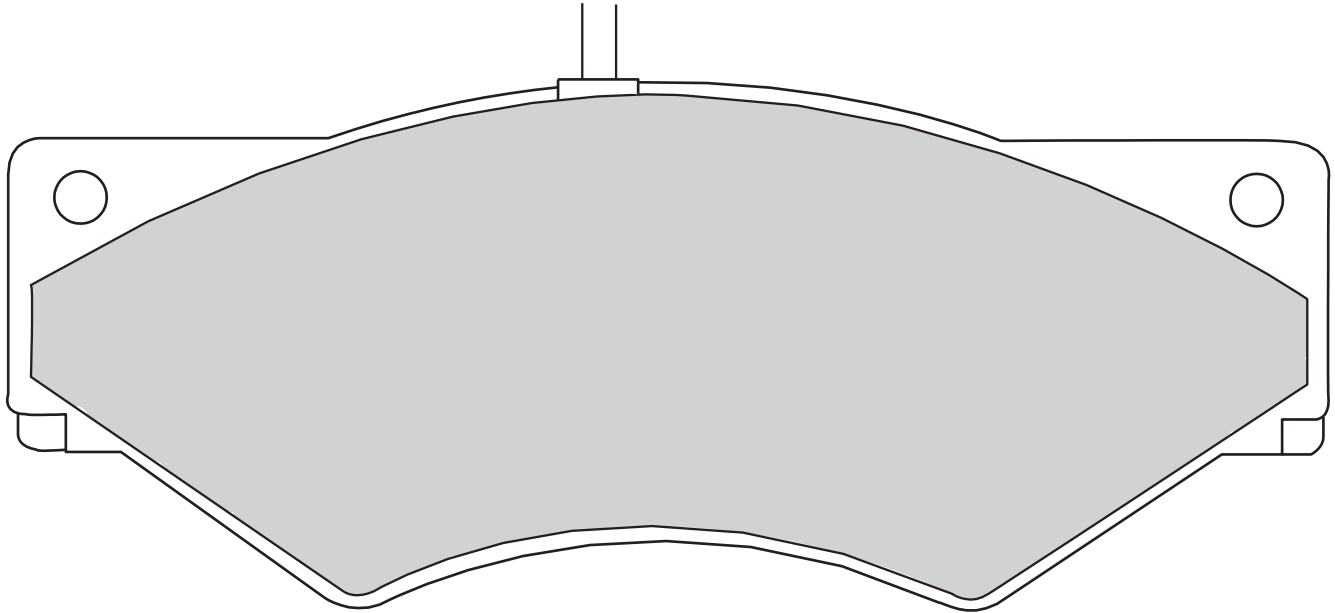
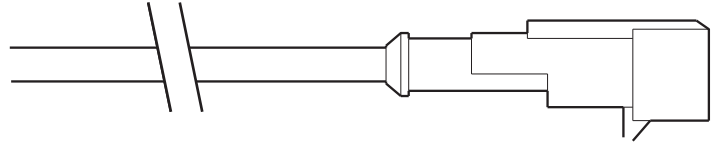
IVECO COMM.



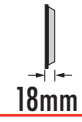
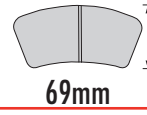
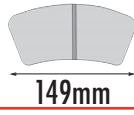
FVR1350



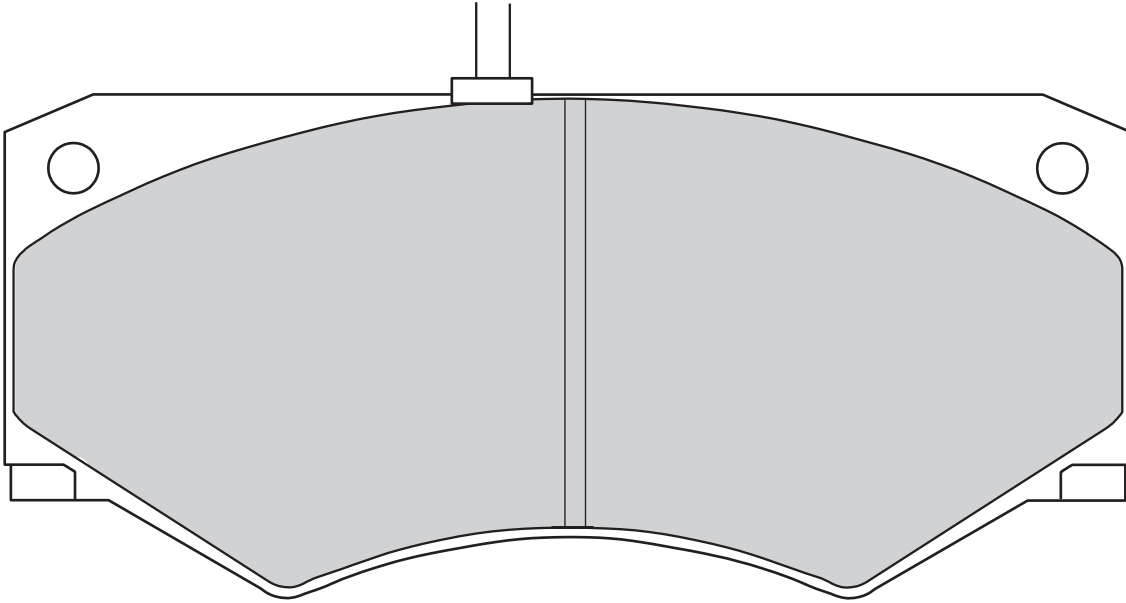
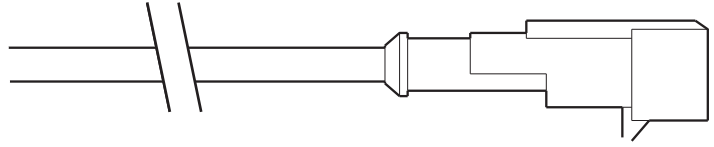
IVECO COMM.



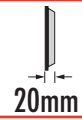
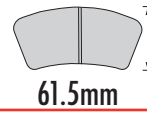
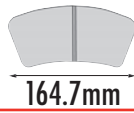
FVR1351



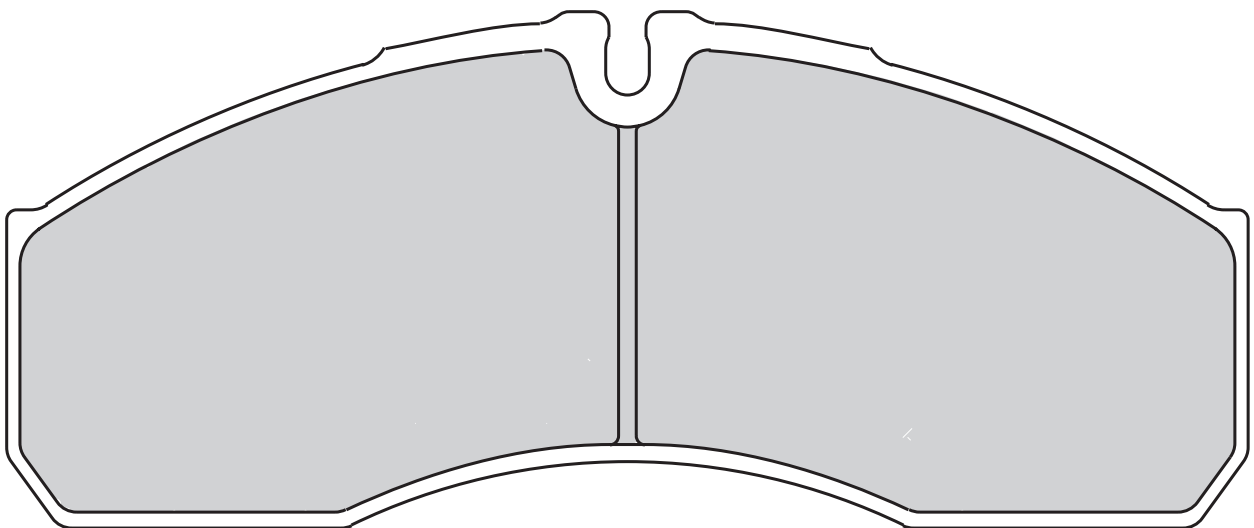
IVECO COMM.



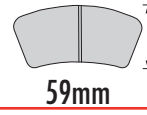
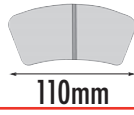
FVR1390



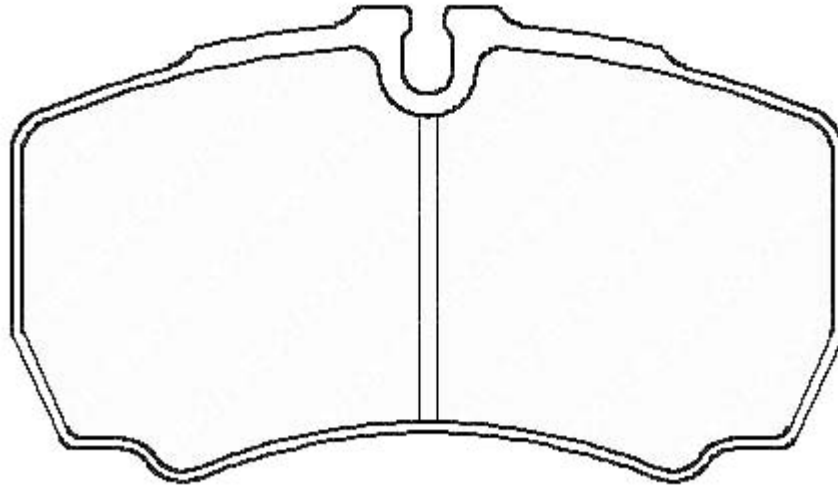
IVECO COMM.



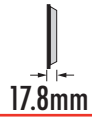
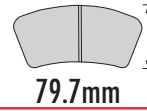
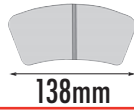
FVR1405



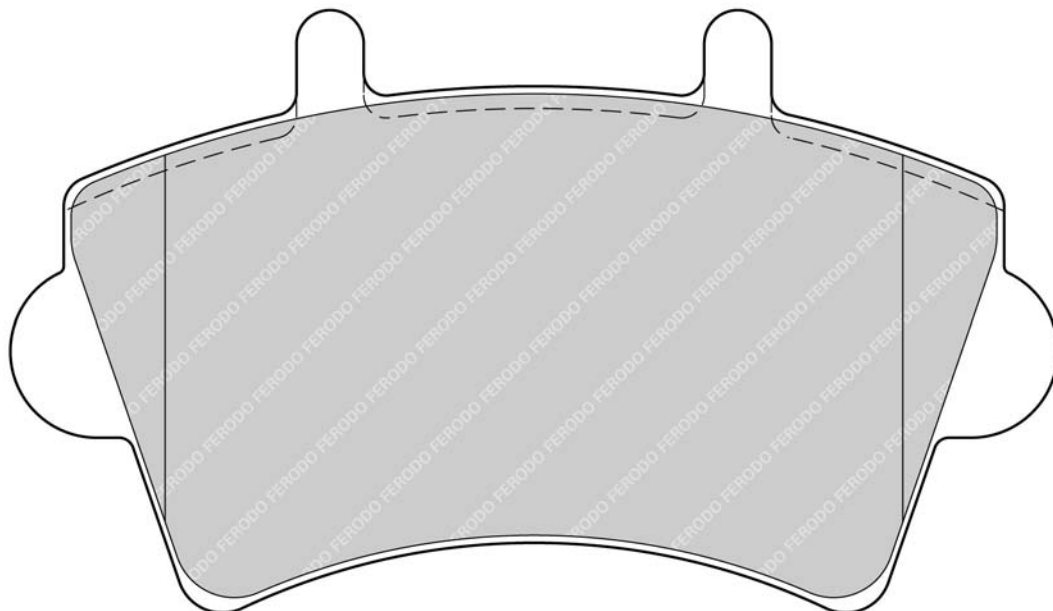
IVECO COMM.



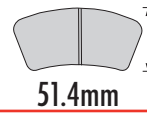
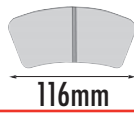
FVR1452



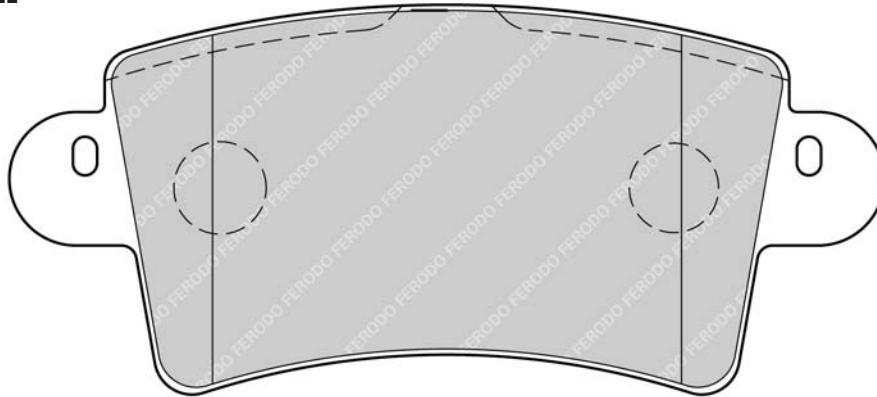
NISSAN, OPEL



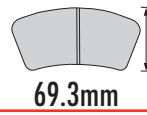
FVR1453



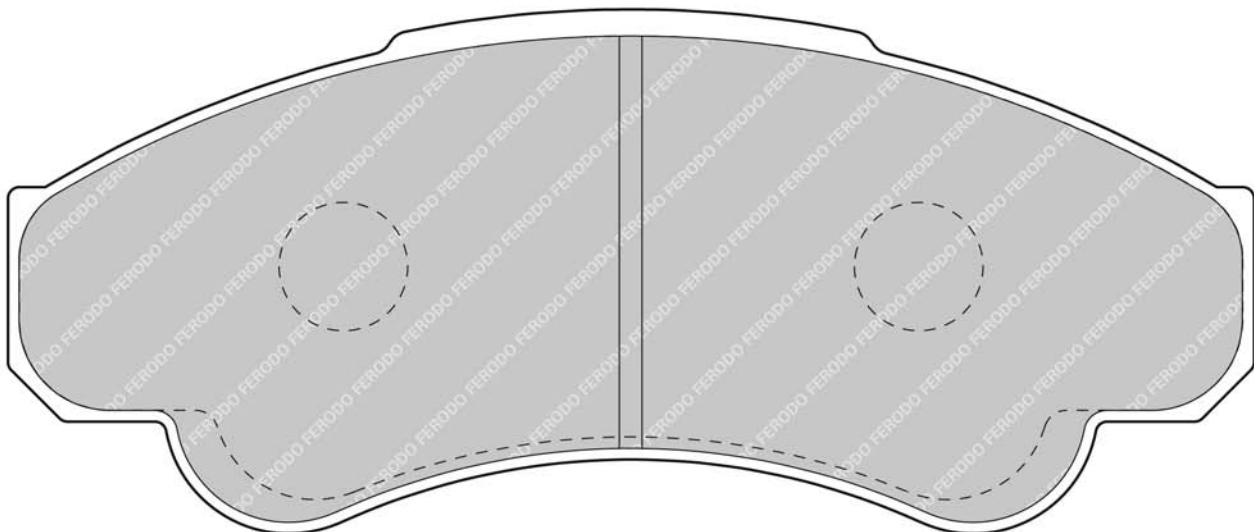
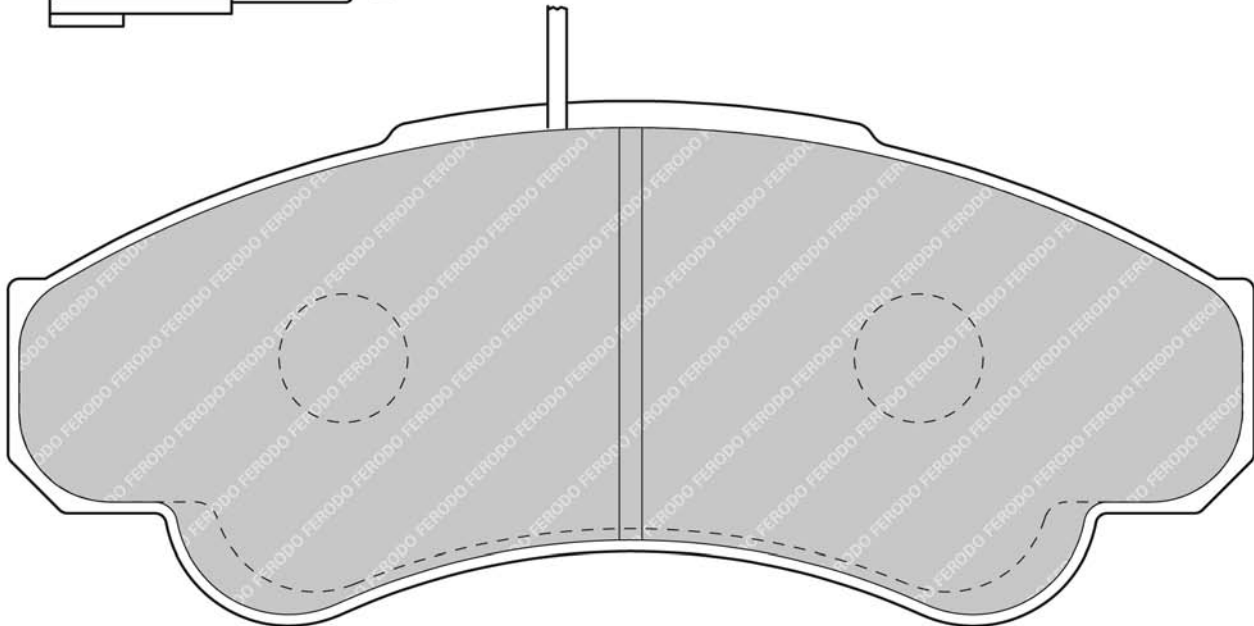
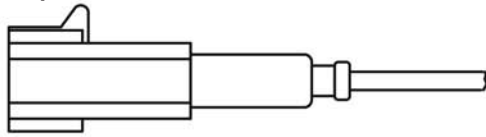
NISSAN, OPEL



FVR1479



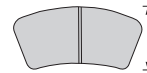
FIAT, PEUGEOT



FVR1480



109.8mm

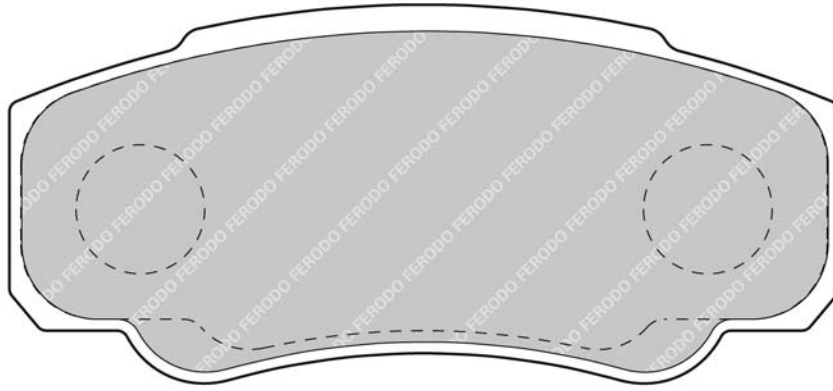


49.9mm

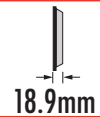
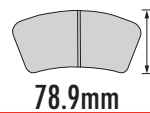


20.1mm

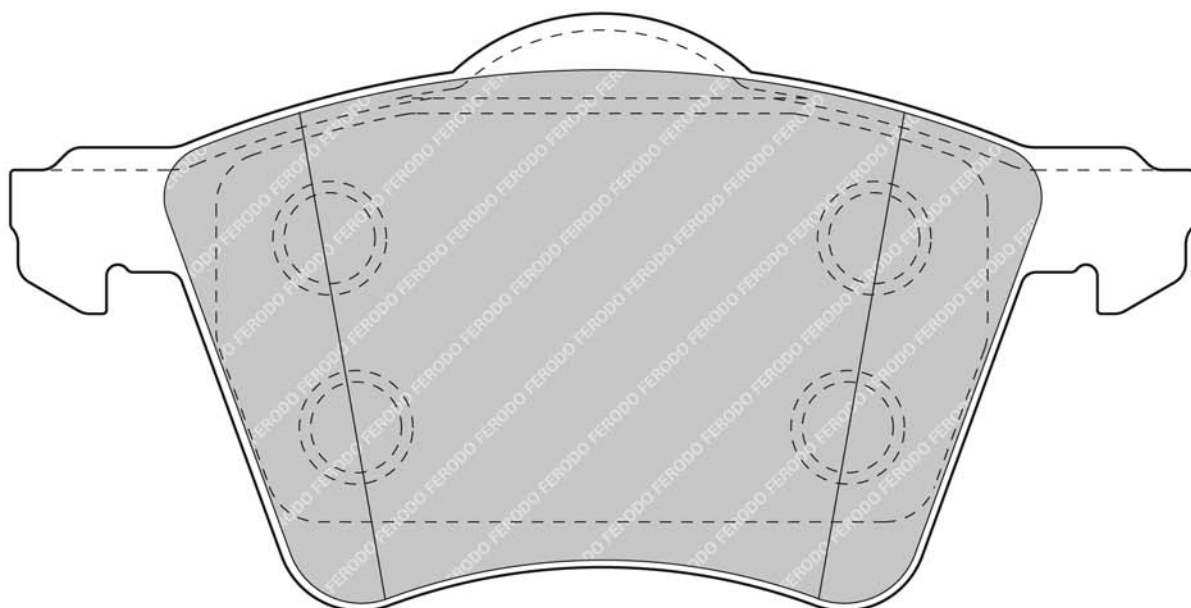
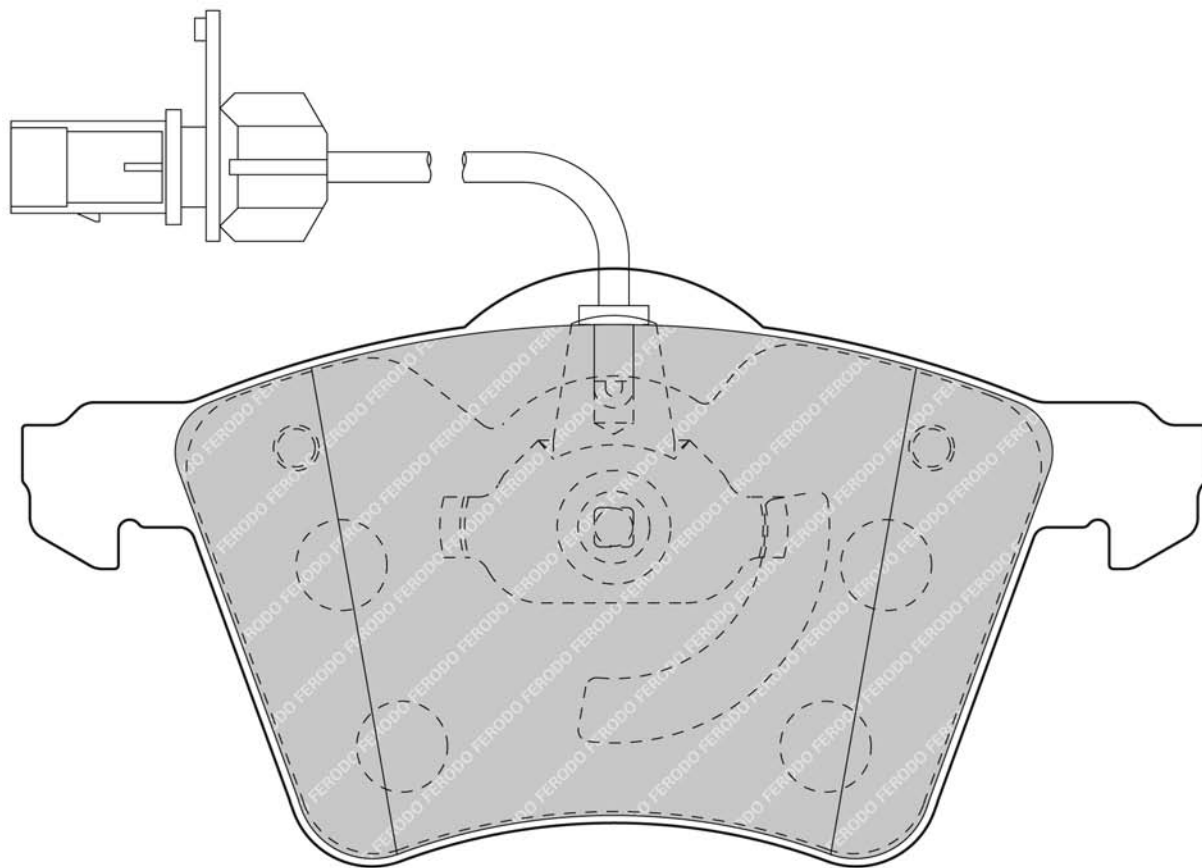
FIAT, PEUGEOT



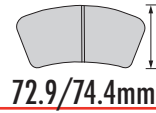
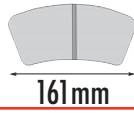
FVR1484



VOLKSWAGEN

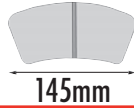


FVR1497

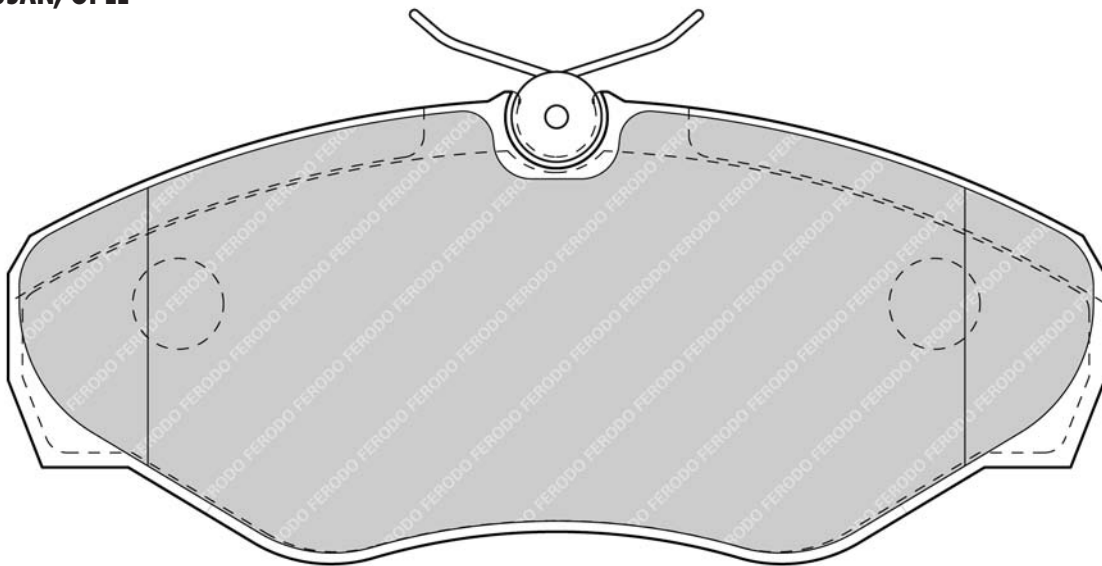


**SEE FDB1497 ILLUSTRATION
SUPERCEDES FDB1497**

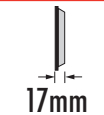
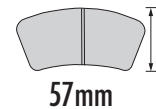
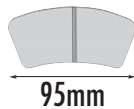
FVR1515



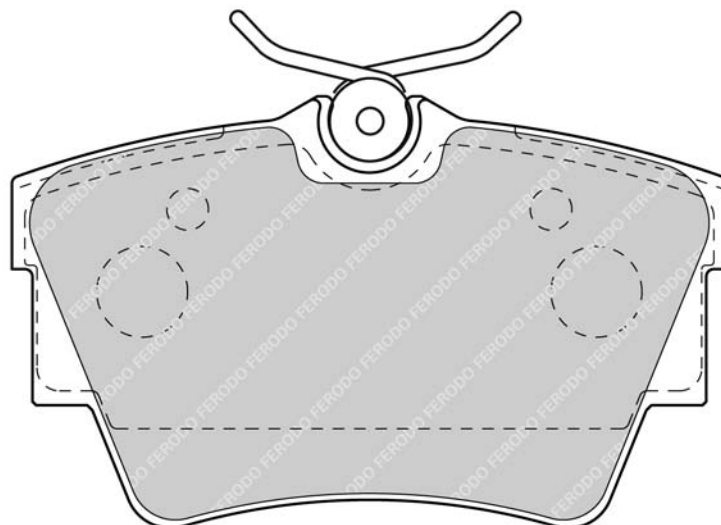
NISSAN, OPEL



FVR1516



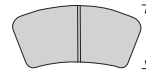
NISSAN, OPEL



FVR1518



156mm

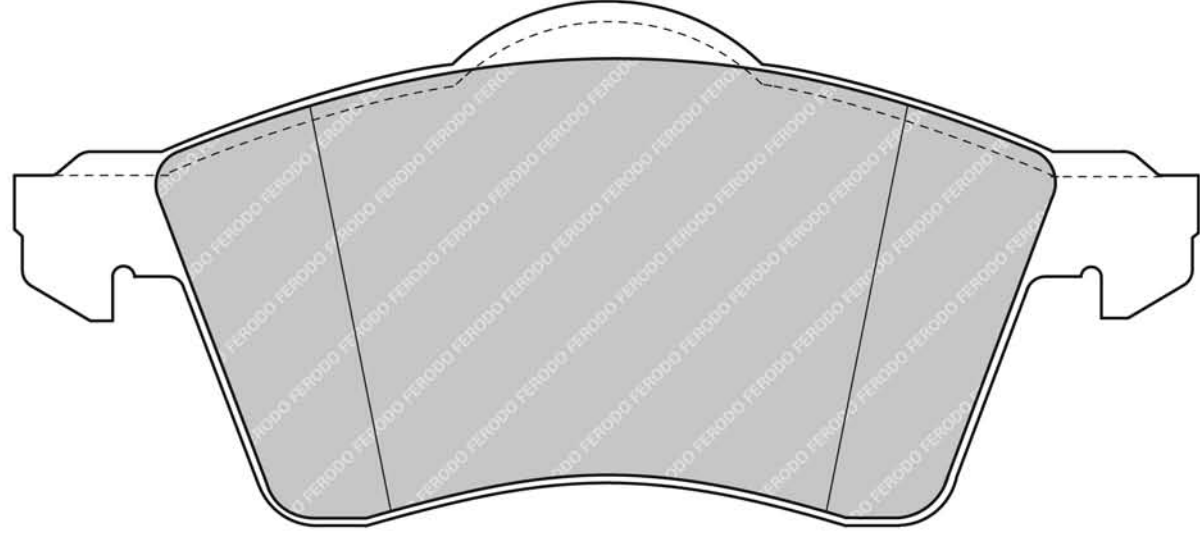
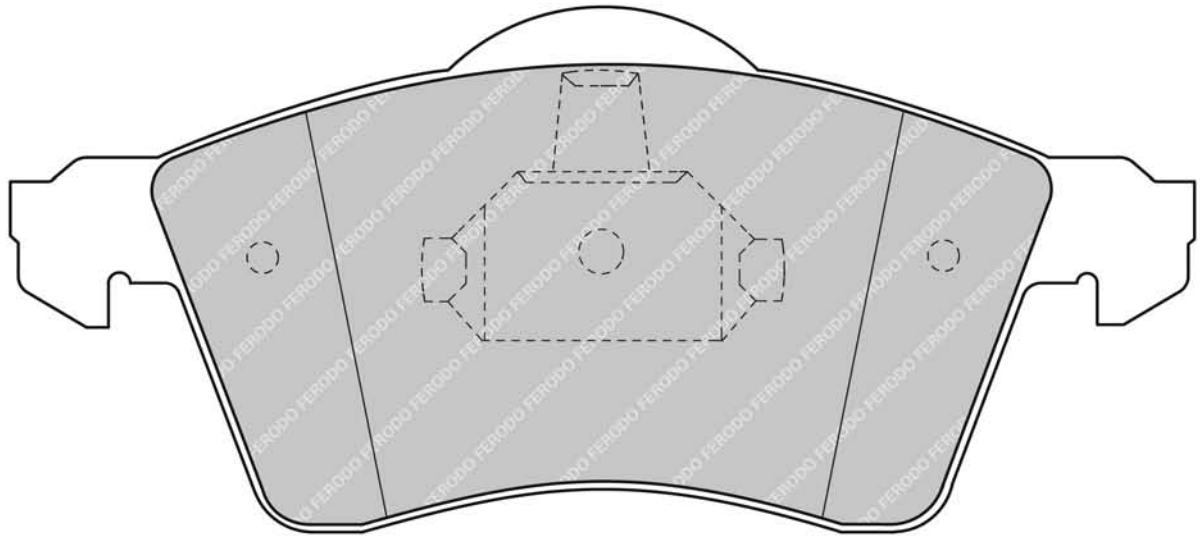
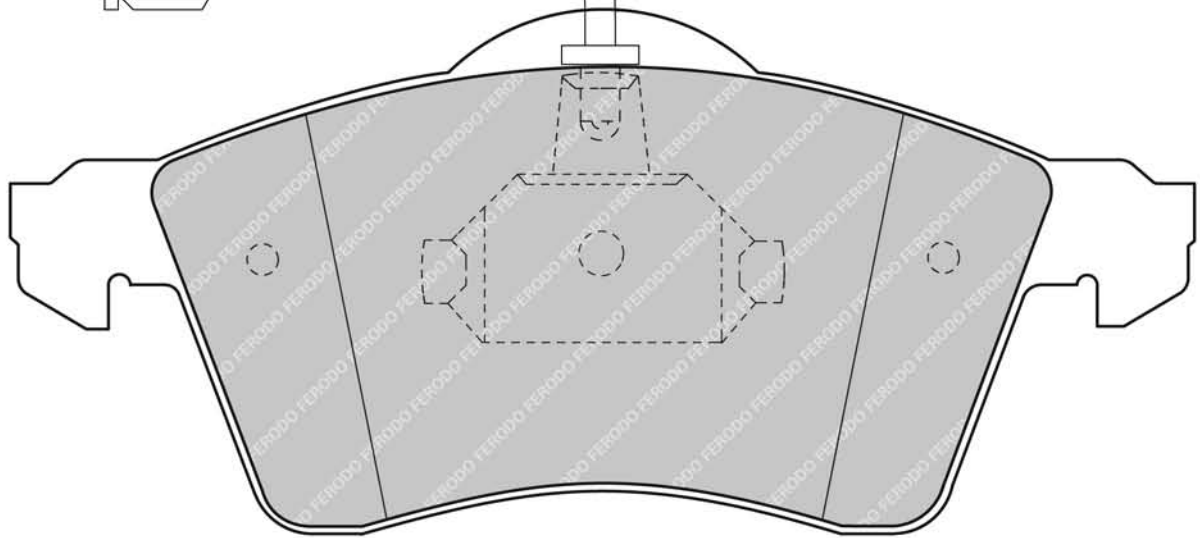
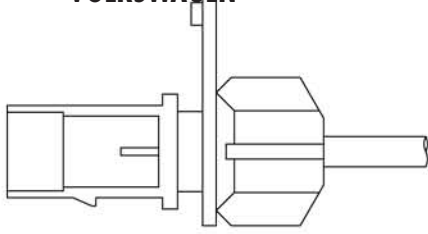


68.5mm

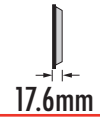
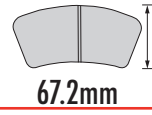
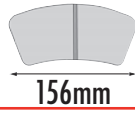


19.6mm

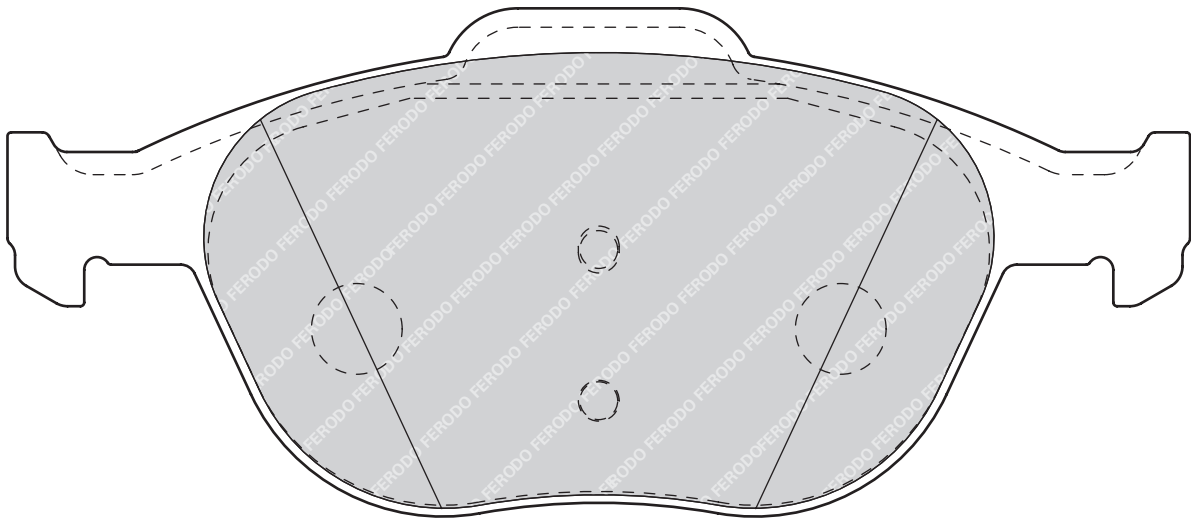
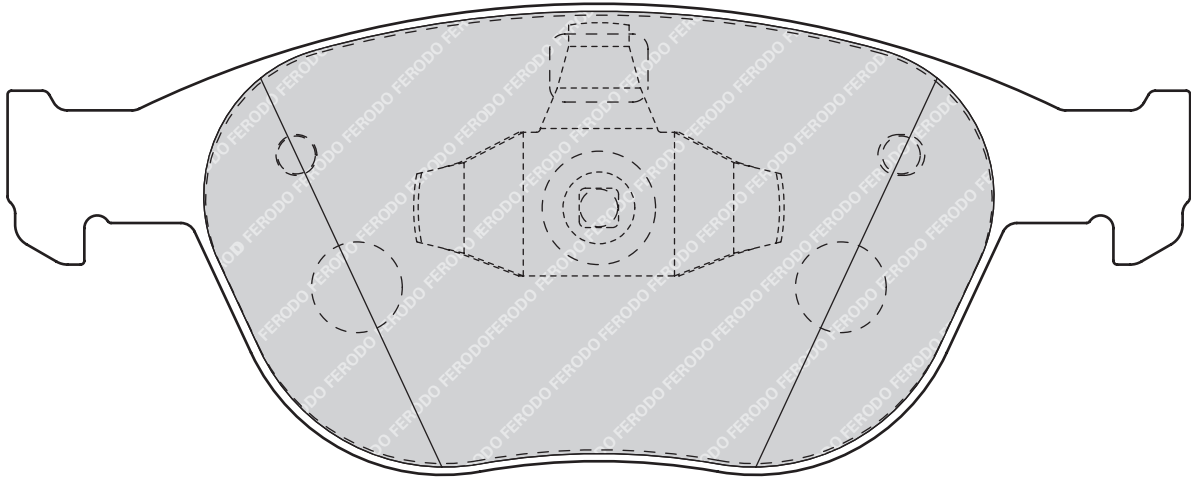
VOLKSWAGEN



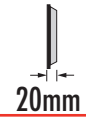
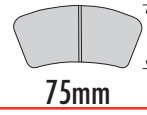
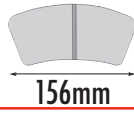
FVR1568



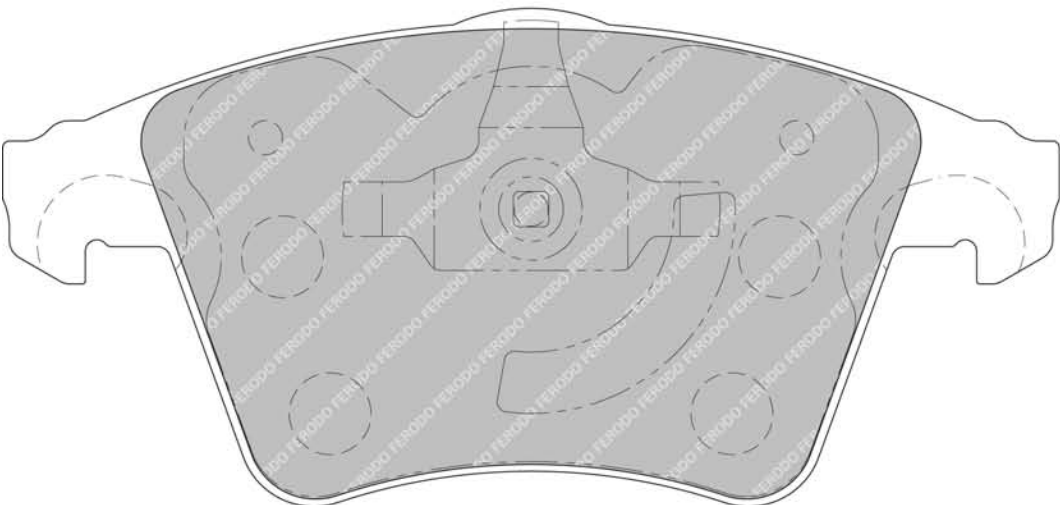
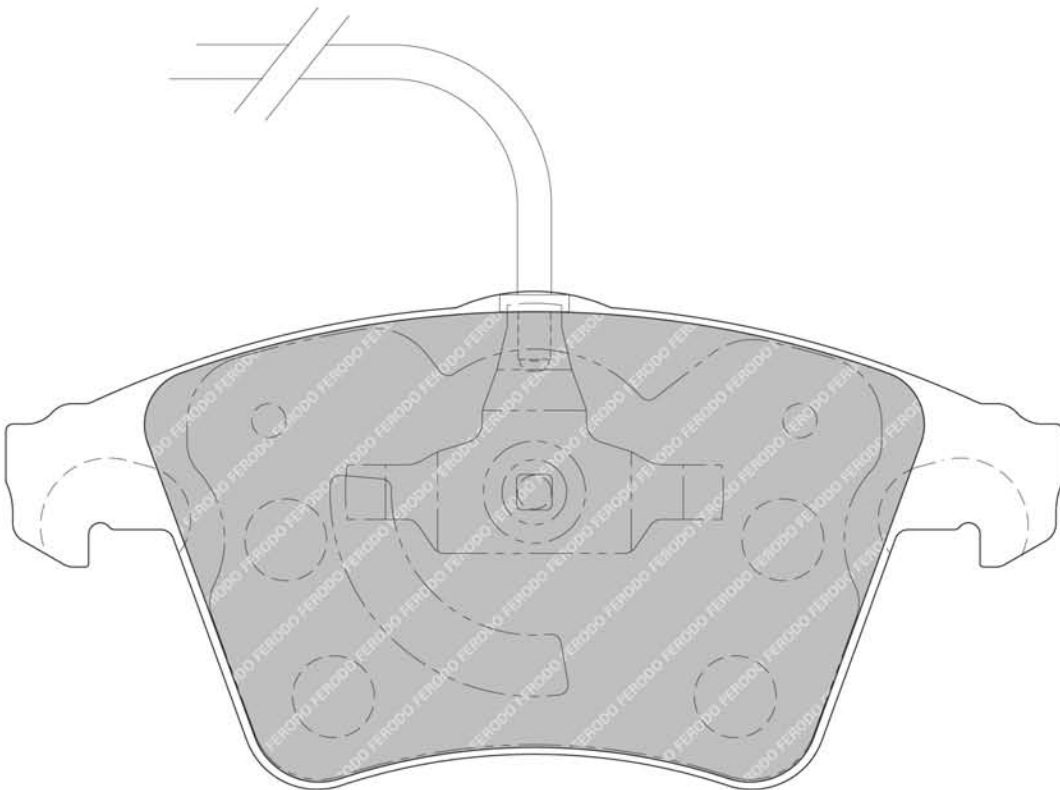
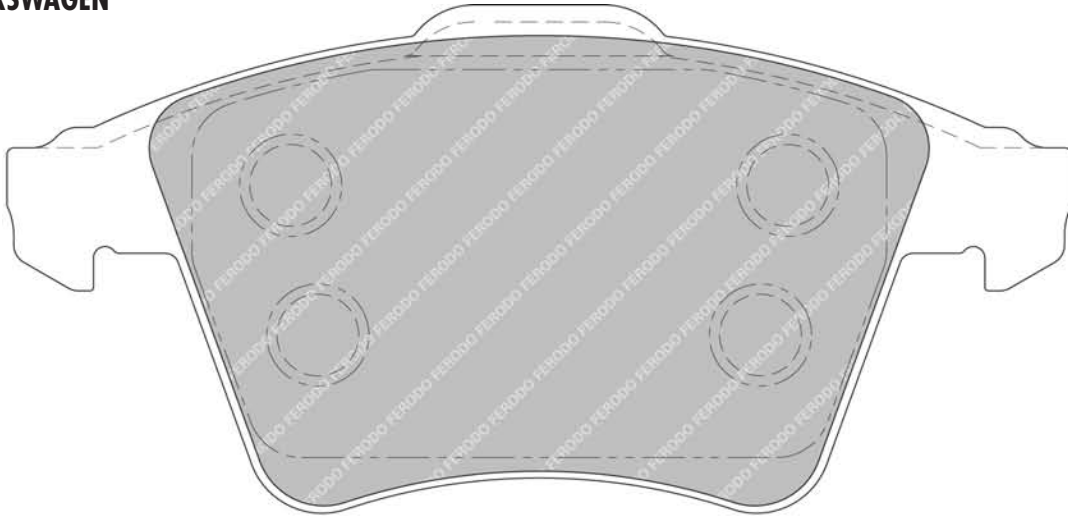
FORD



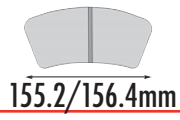
FVR1642



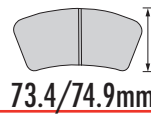
VOLKSWAGEN



FVR1643



155.2/156.4mm

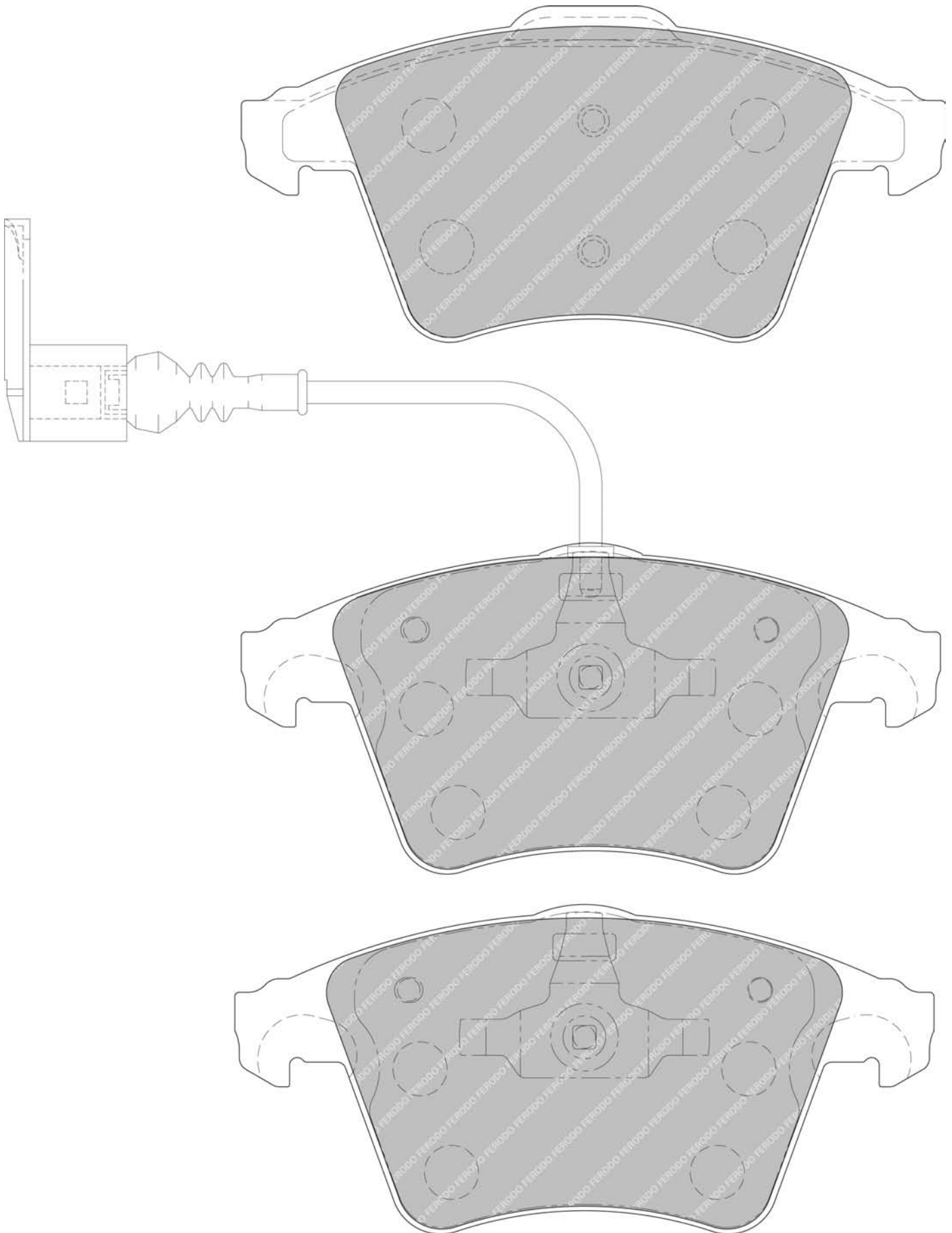


73.4/74.9mm

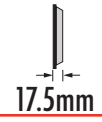
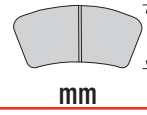
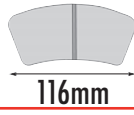


17.7mm

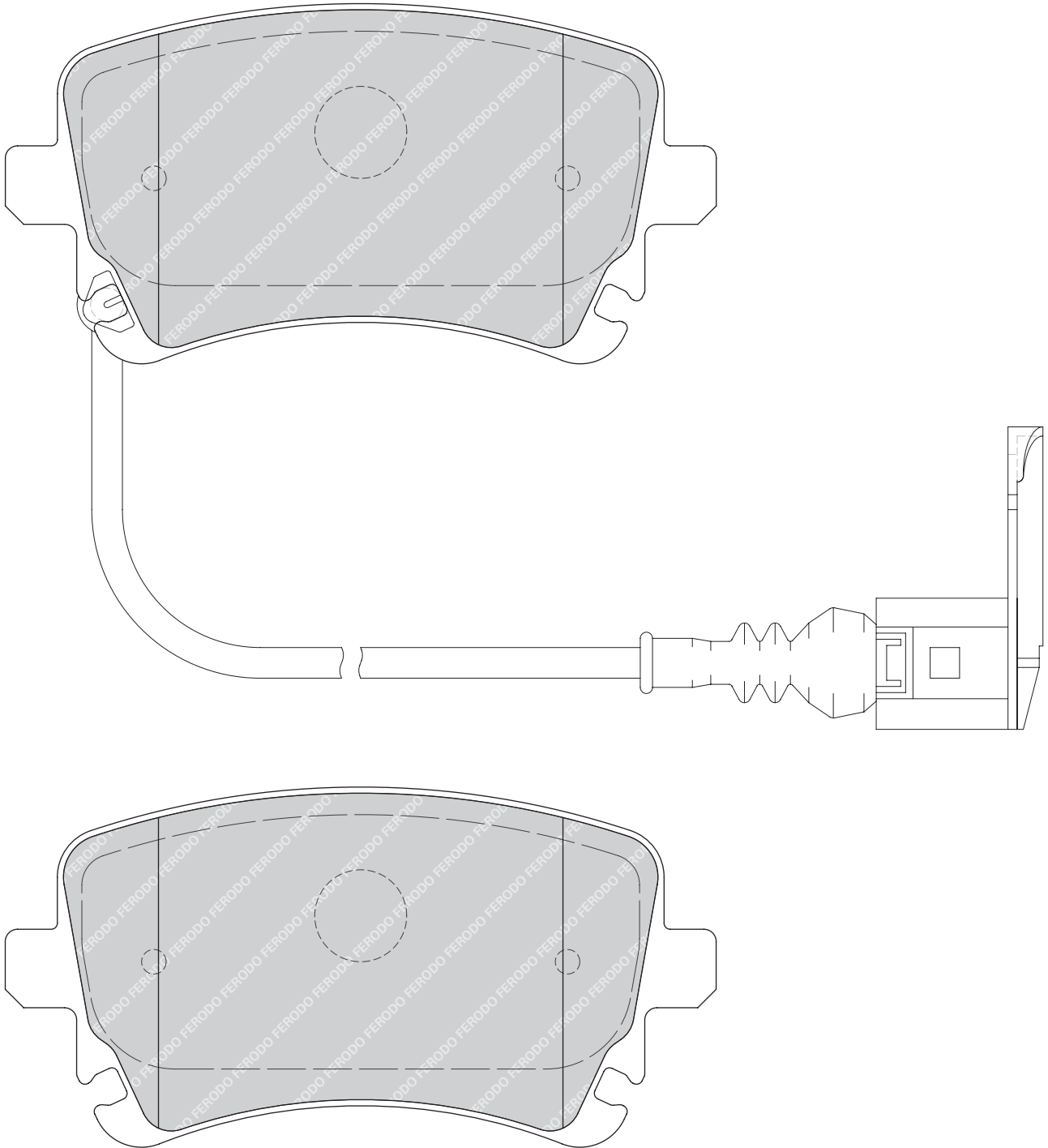
VOLKSWAGEN



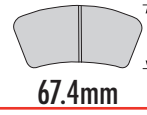
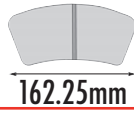
FVR1644



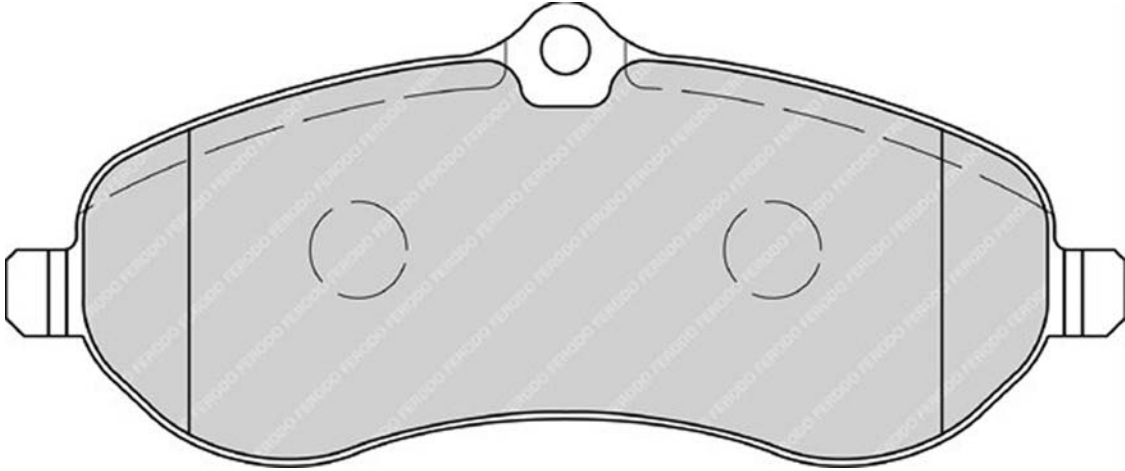
VOLKSWAGEN



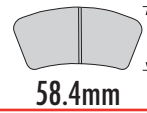
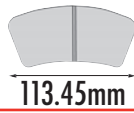
FVR1771



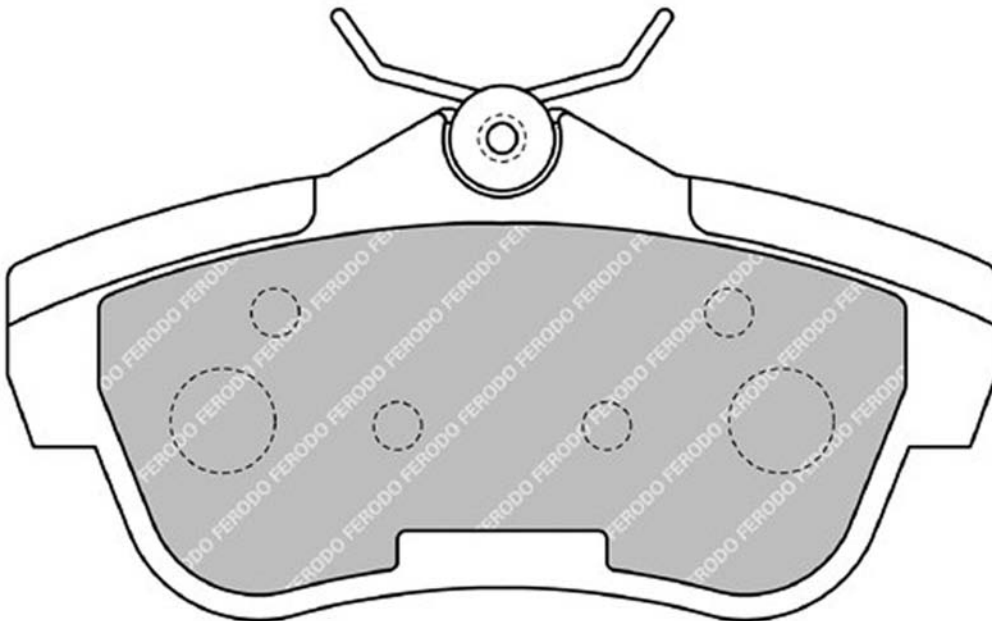
FIAT



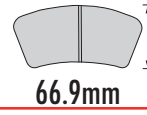
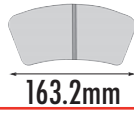
FVR1772



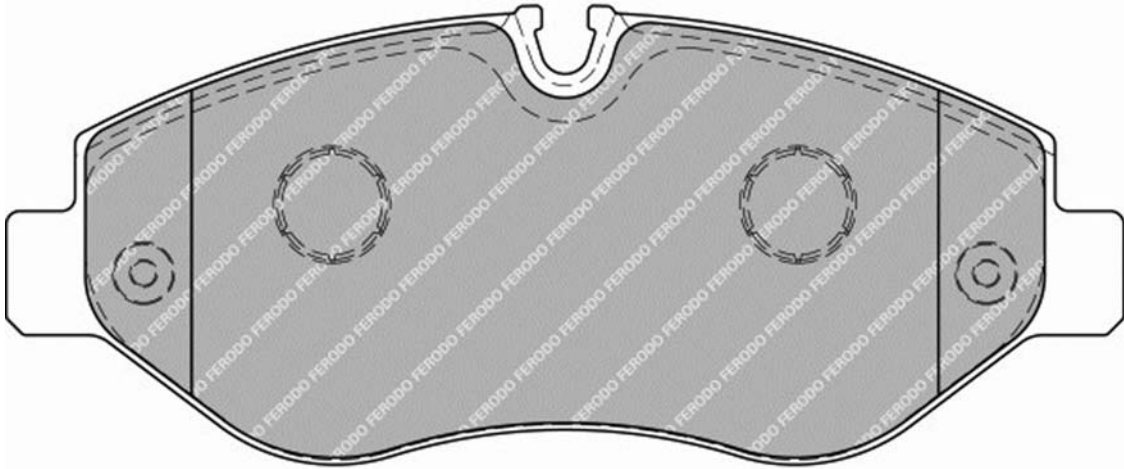
FIAT



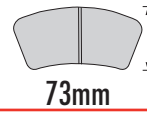
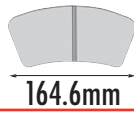
FVR1778



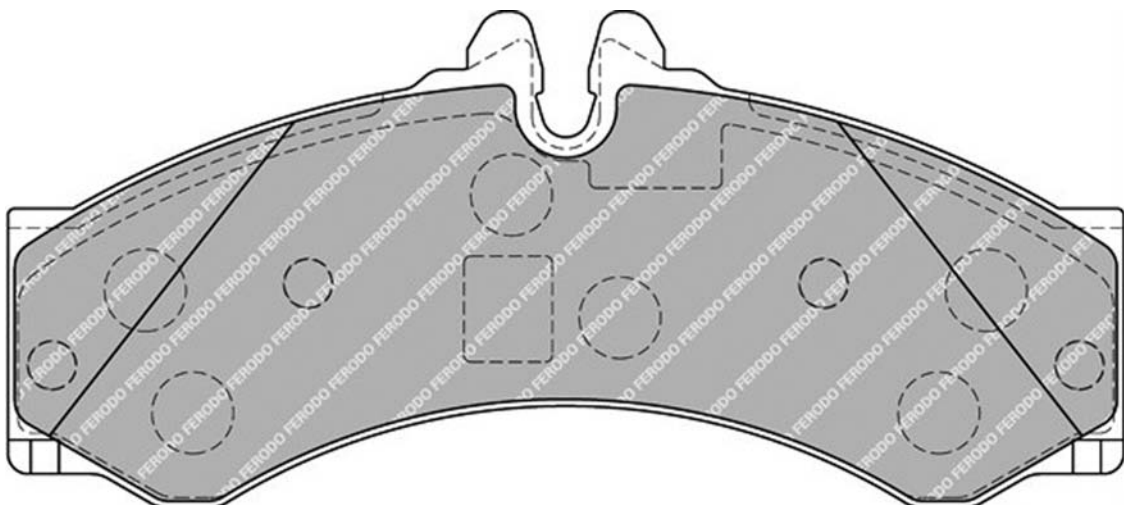
MERCEDES BENZ COMMERCIAL



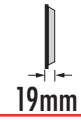
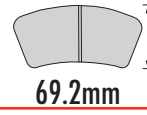
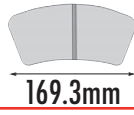
FVR1879



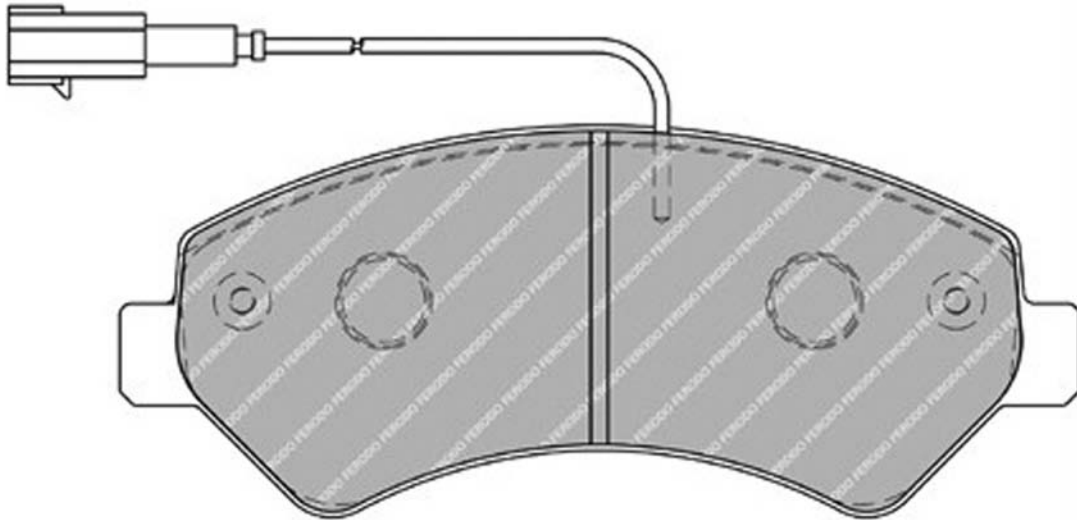
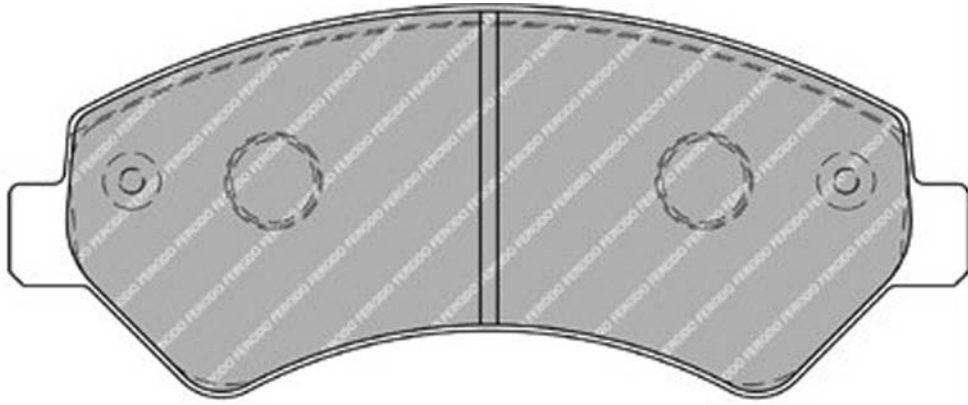
MERCEDES BENZ COMMERCIAL



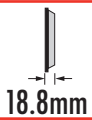
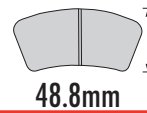
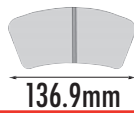
FVR1926



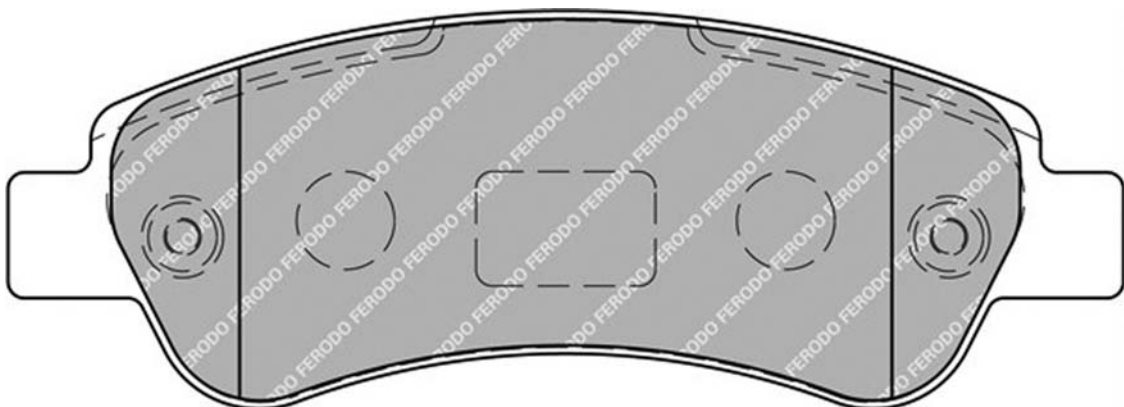
FIAT



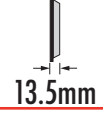
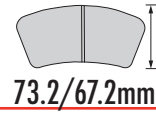
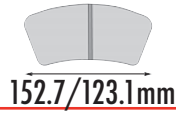
FVR1927



FIAT

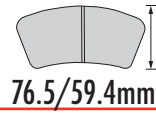
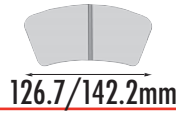


MX154



NO ILLUSTRATION AVAILABLE

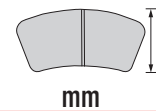
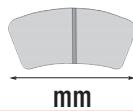
MX369



CHEVROLET

NO ILLUSTRATION AVAILABLE

MX666

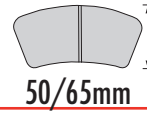


NO ILLUSTRATION AVAILABLE

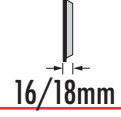
MX670



165/171mm

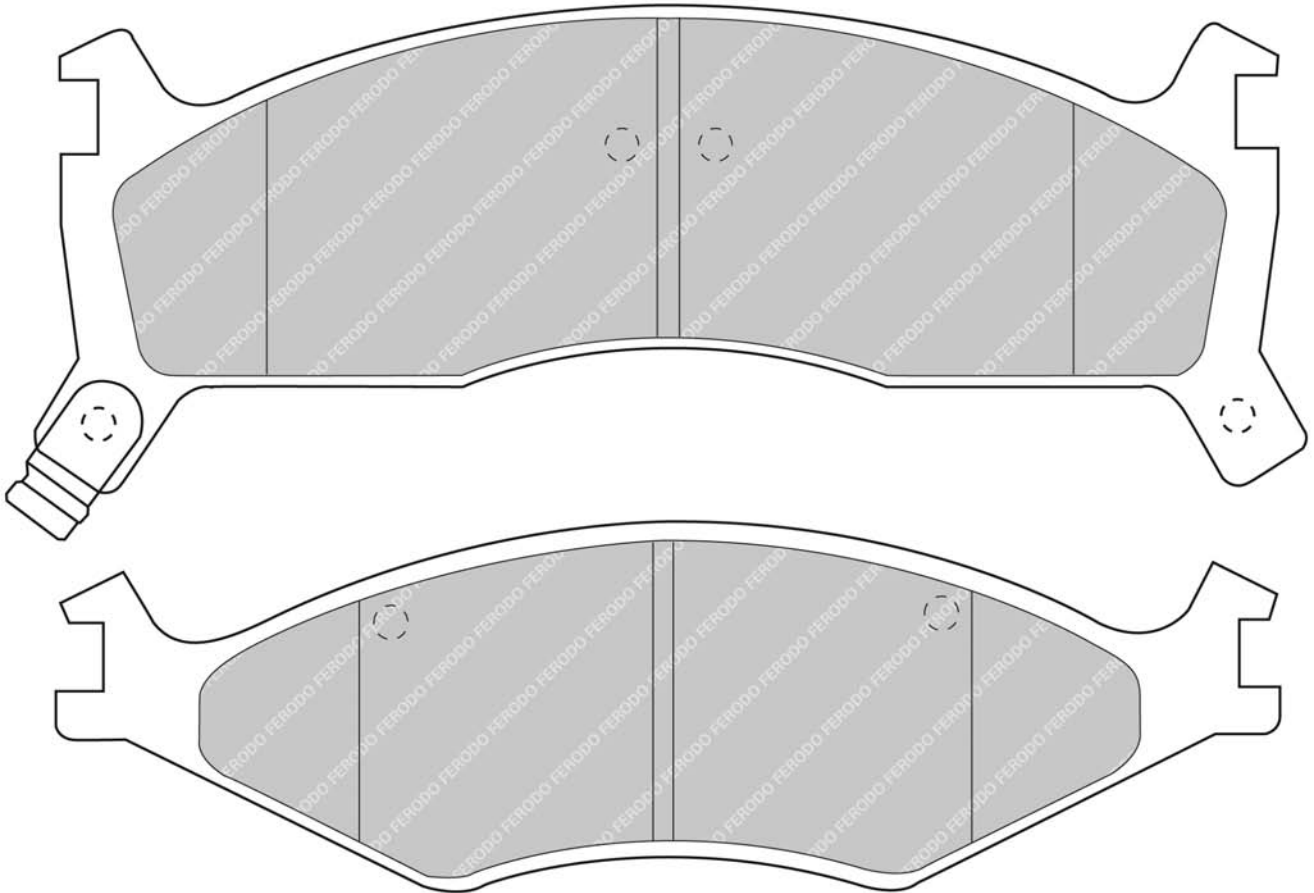


50/65mm

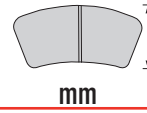
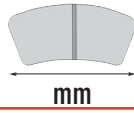


16/18mm

KIA

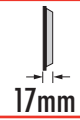
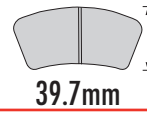
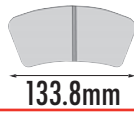


MX756

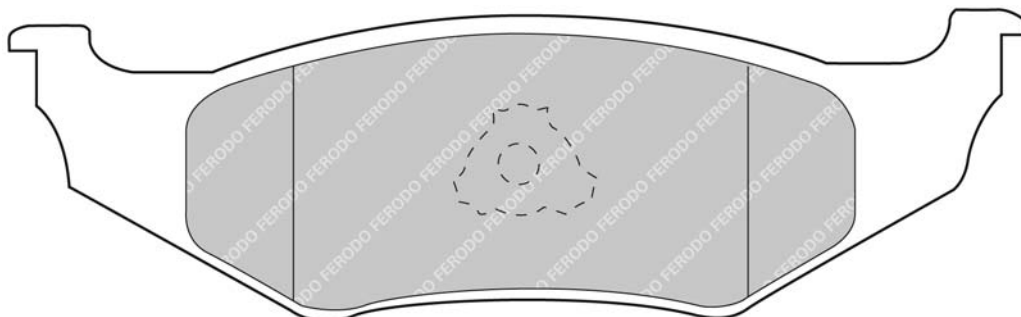
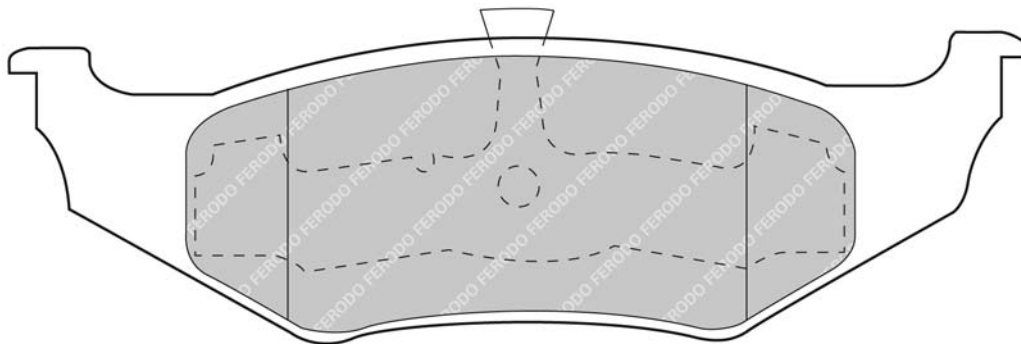


NO ILLUSTRATION AVAILABLE

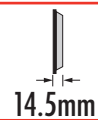
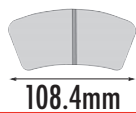
MX759



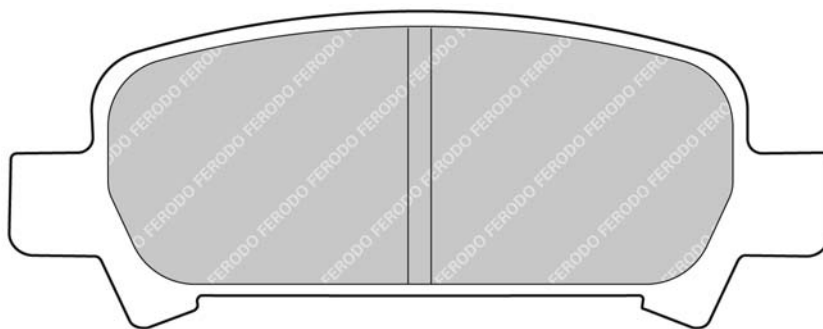
CHRYSLER



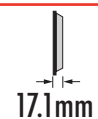
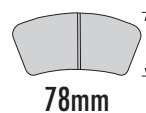
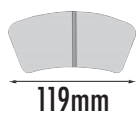
MX770



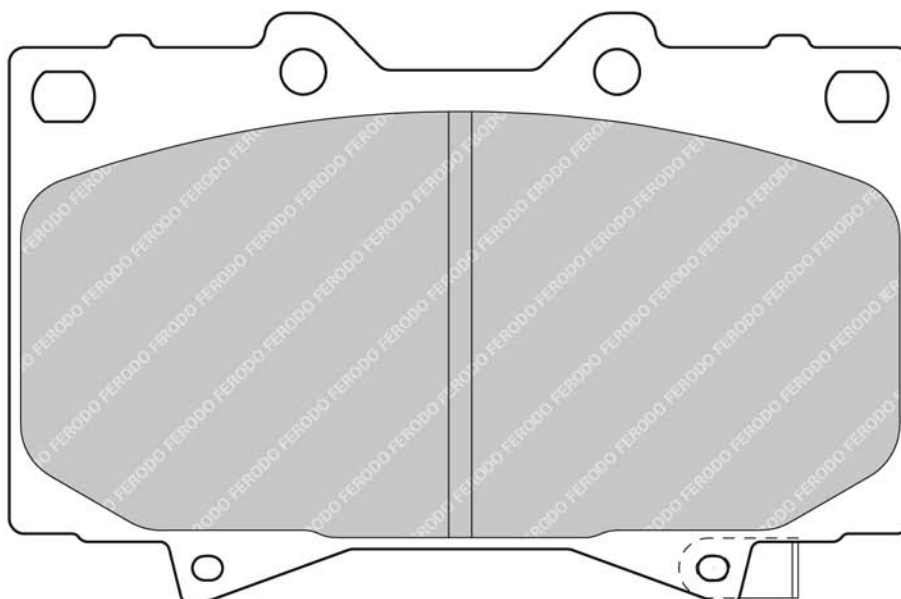
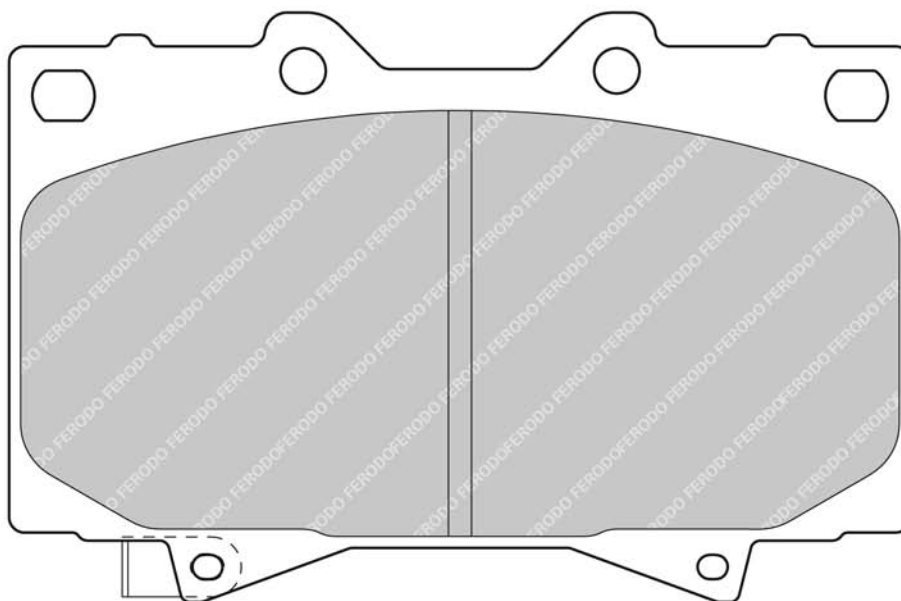
SUBARU



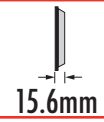
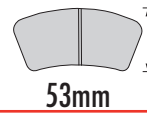
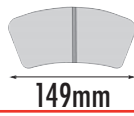
MX772



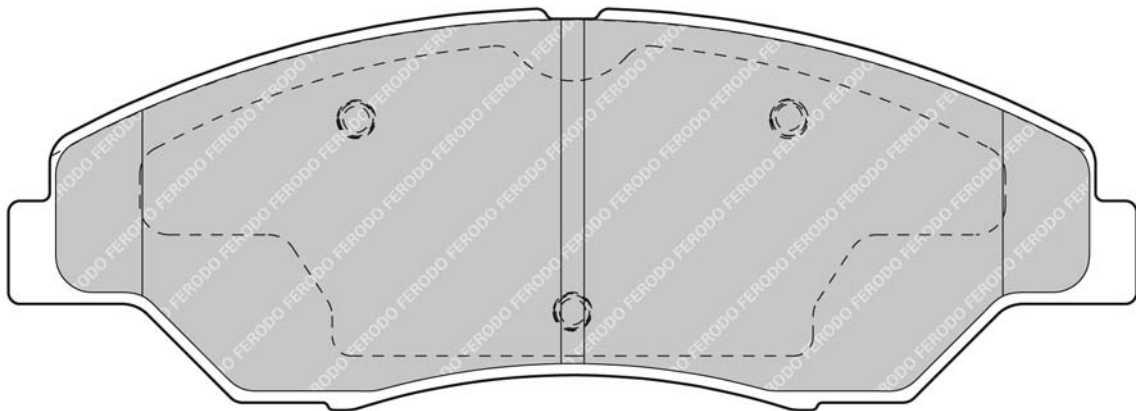
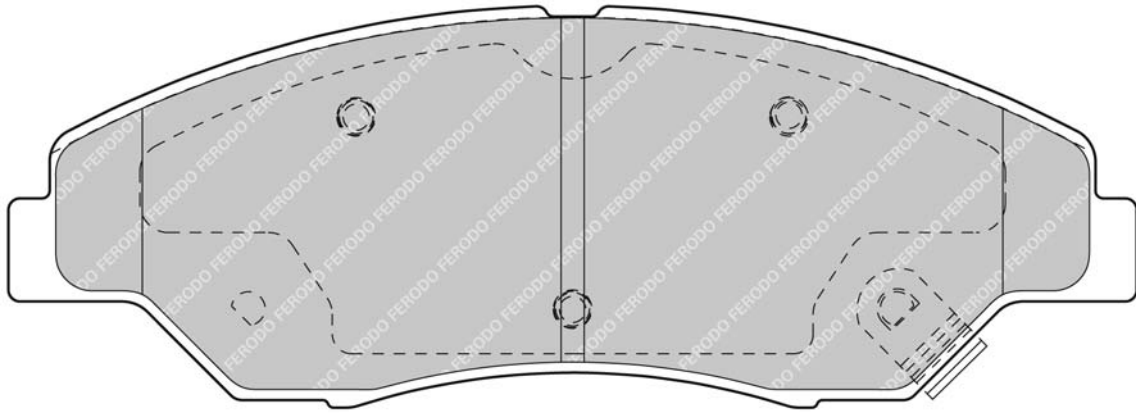
TOYOTA



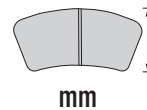
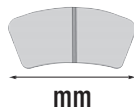
MX774



KIA

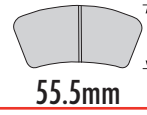
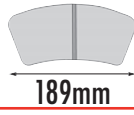


MX785

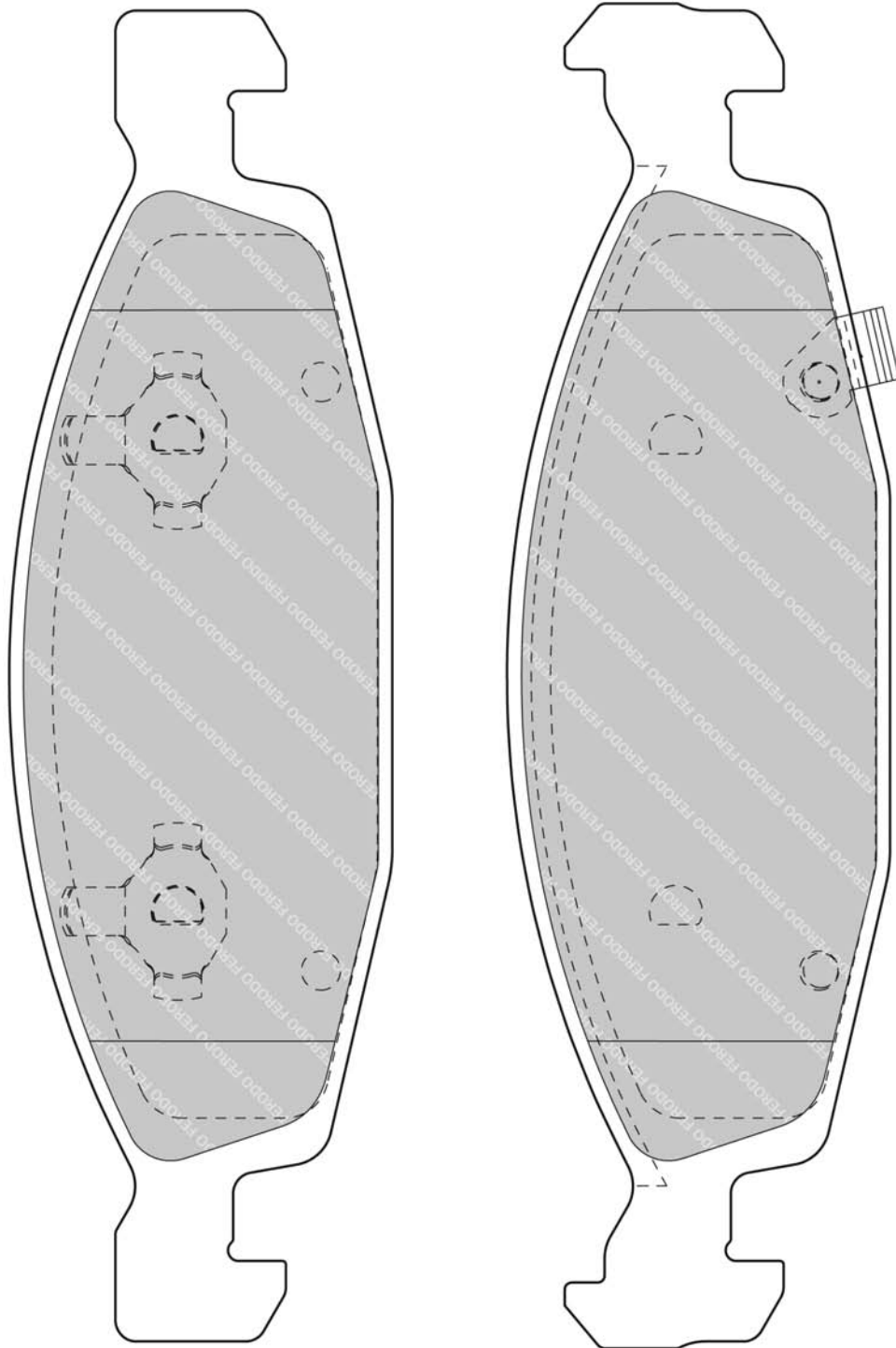


NO ILLUSTRATION AVAILABLE

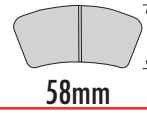
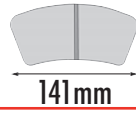
MX790



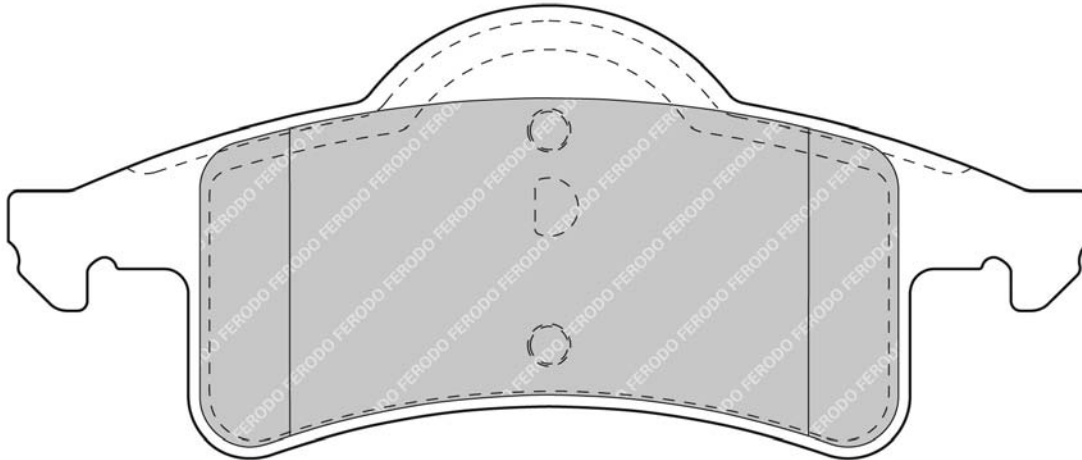
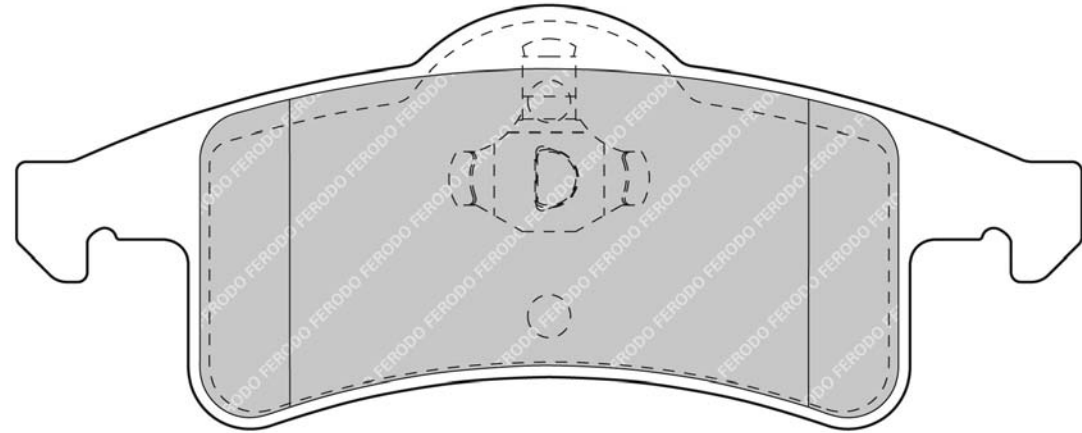
CHRYSLER



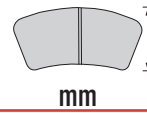
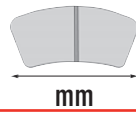
MX791



CHRYSLER

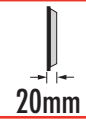
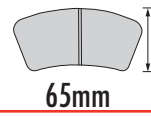
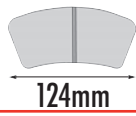


MX834

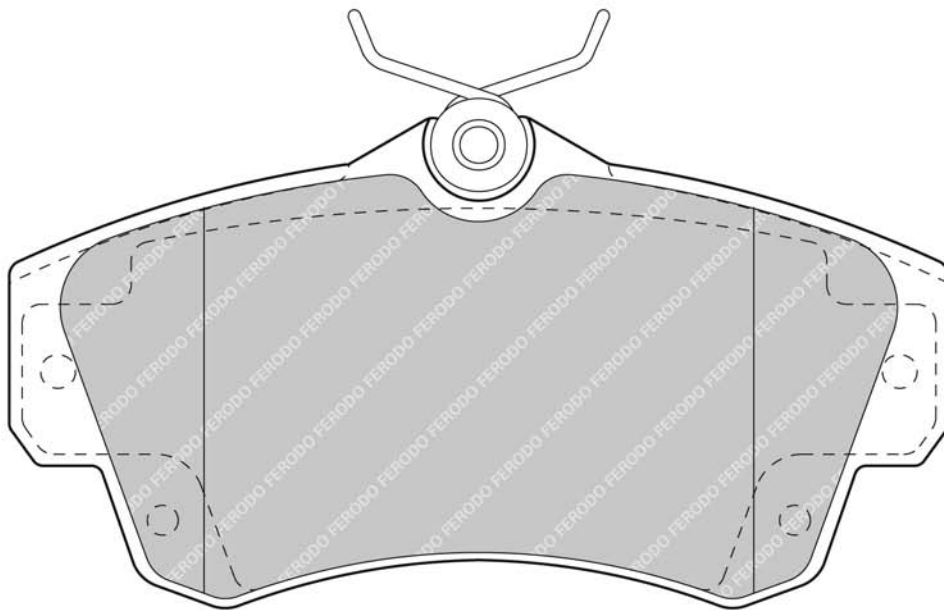
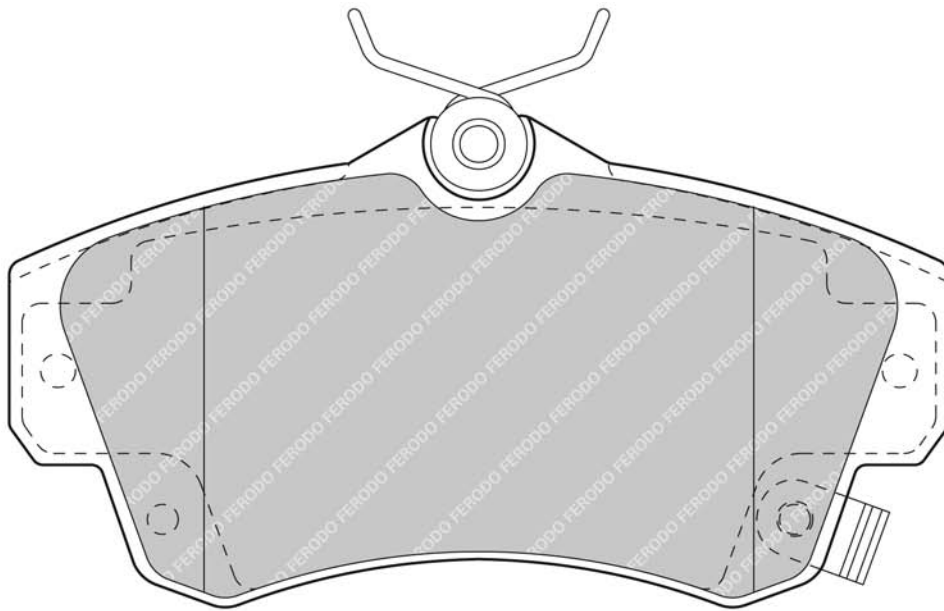


NO ILLUSTRATION AVAILABLE

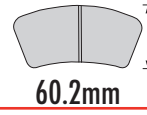
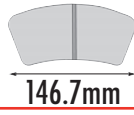
MX841



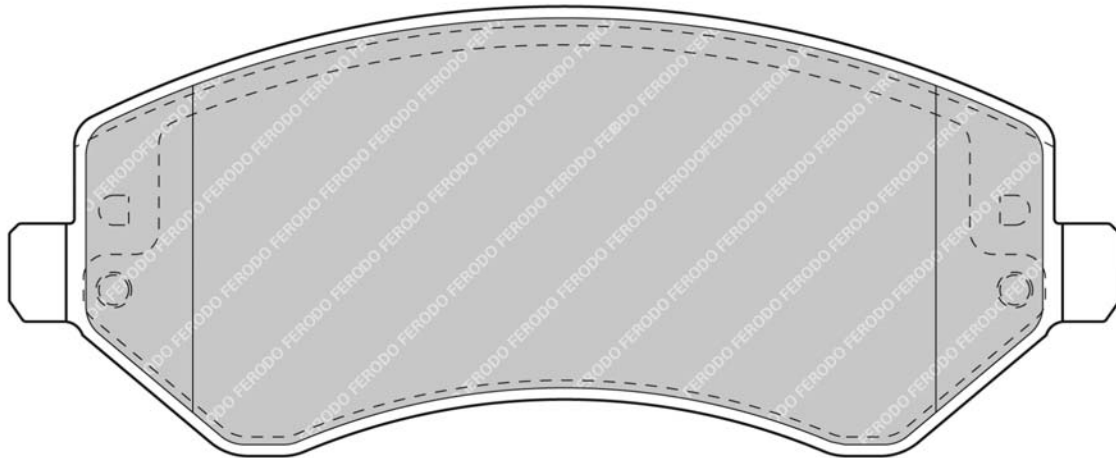
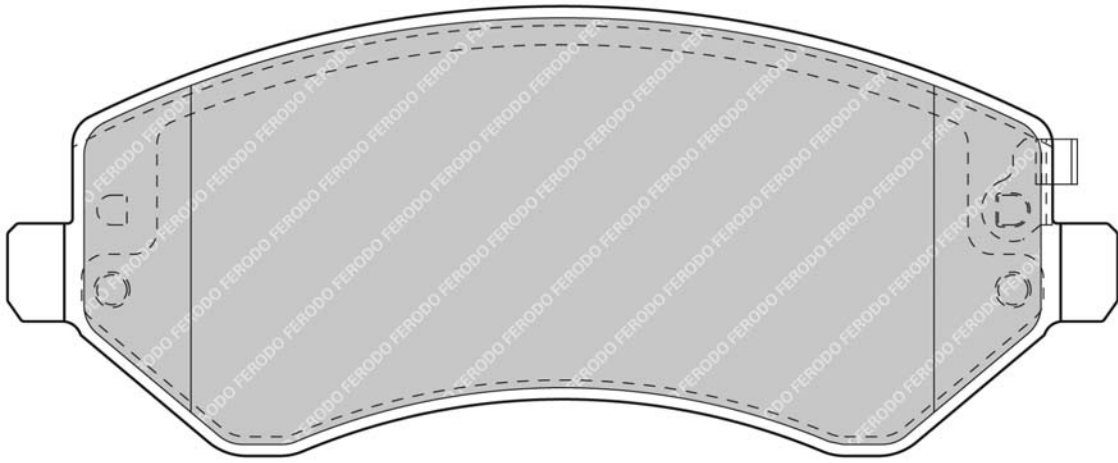
CHRYSLER



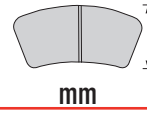
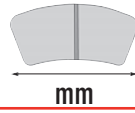
MX856



CHRYSLER

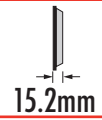
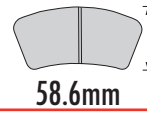
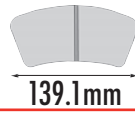


MX866

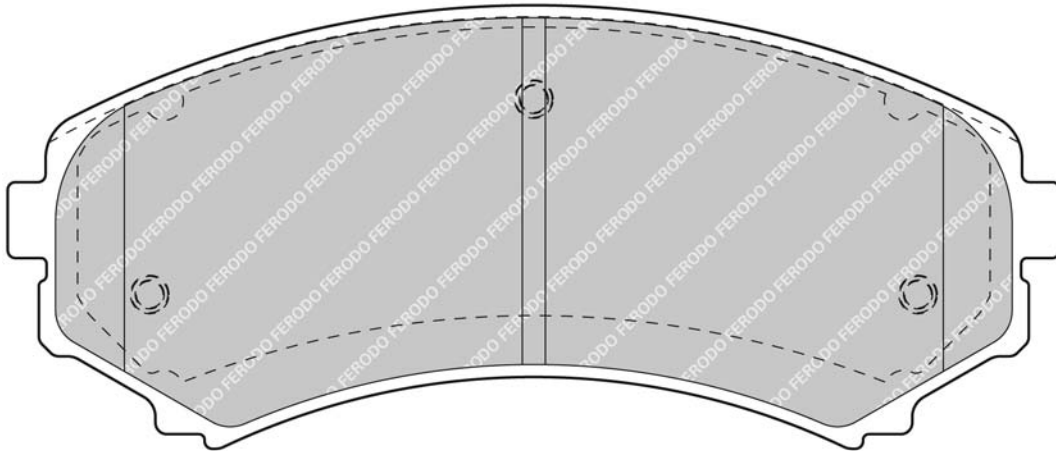


NO ILLUSTRATION AVAILABLE

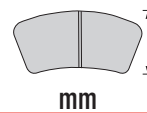
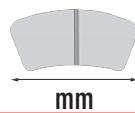
MX867



MITSUBISHI

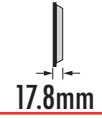
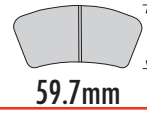
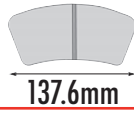


MX1149

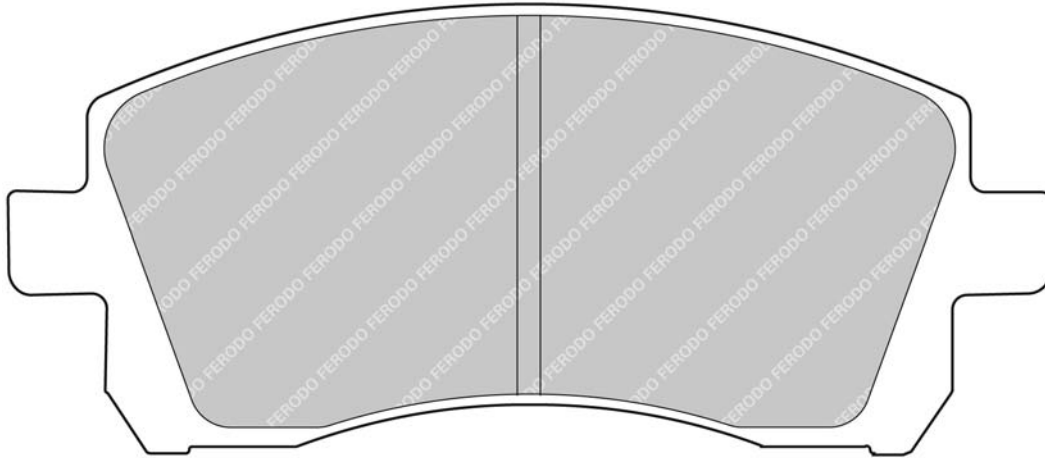


NO ILLUSTRATION AVAILABLE

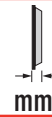
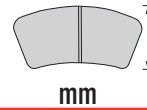
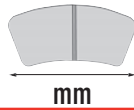
PD721



SUBARU

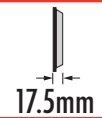
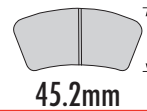
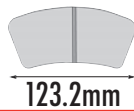


PD729

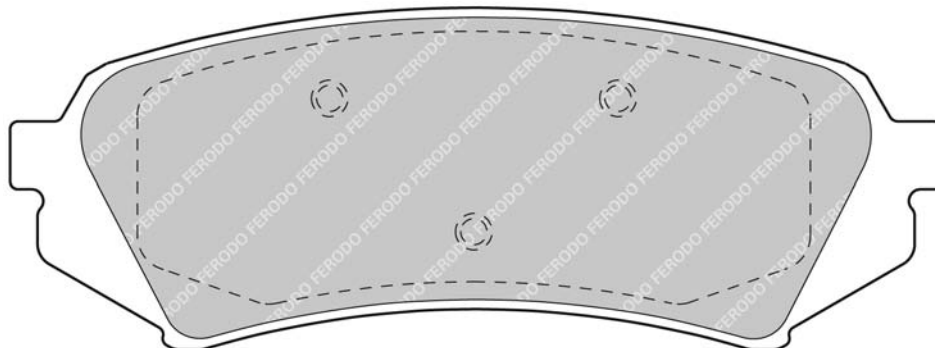


NO ILLUSTRATION AVAILABLE

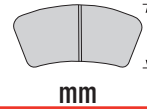
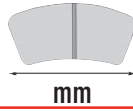
PD773



TOYOTA

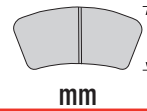
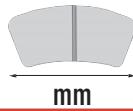


PD1037



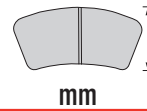
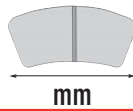
NO ILLUSTRATION AVAILABLE

PD1080



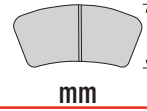
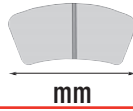
NO ILLUSTRATION AVAILABLE

PD1087



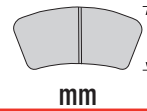
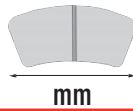
NO ILLUSTRATION AVAILABLE

PD1094



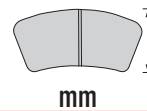
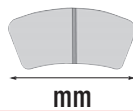
NO ILLUSTRATION AVAILABLE

PD1181



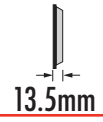
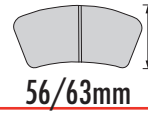
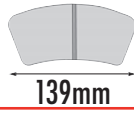
NO ILLUSTRATION AVAILABLE

PDB1

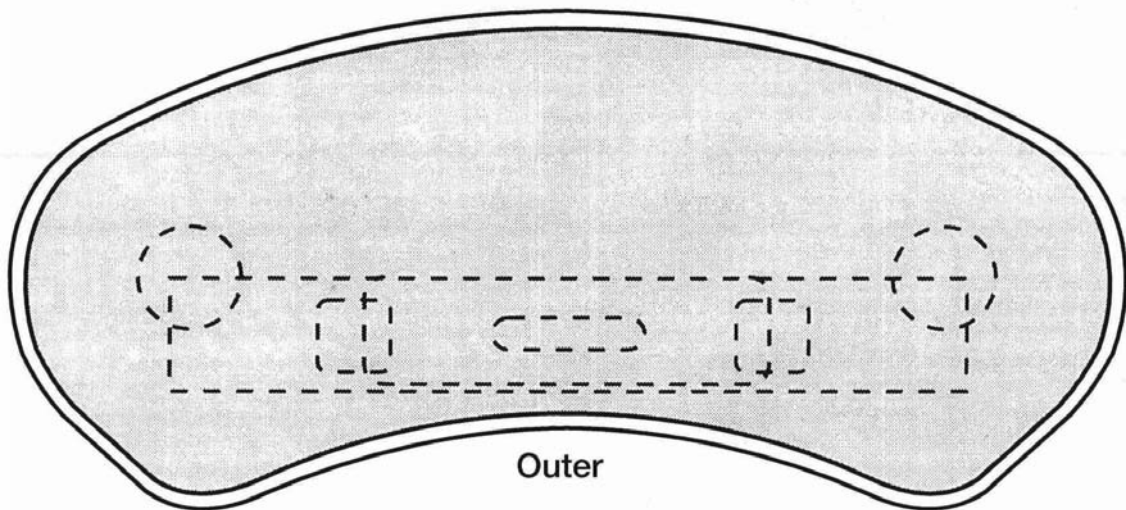
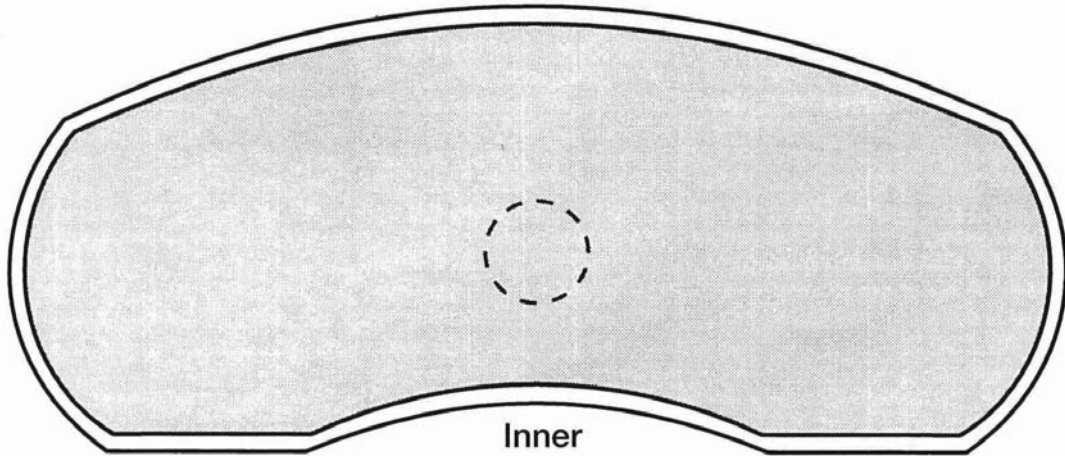


NO ILLUSTRATION AVAILABLE

PDB6



CHEVROLE, FORD





YOU'RE IN CONTROL



Ferodo Disc's are made to the same exacting standards as our OE brake pads, delivering consistent stopping power and unbeatable durability



Driving the future through leading technology



FERODOTM

YOU'RE IN CONTROL



5 010874 162525

CATFE1006

 **FEDERAL
MOGUL**